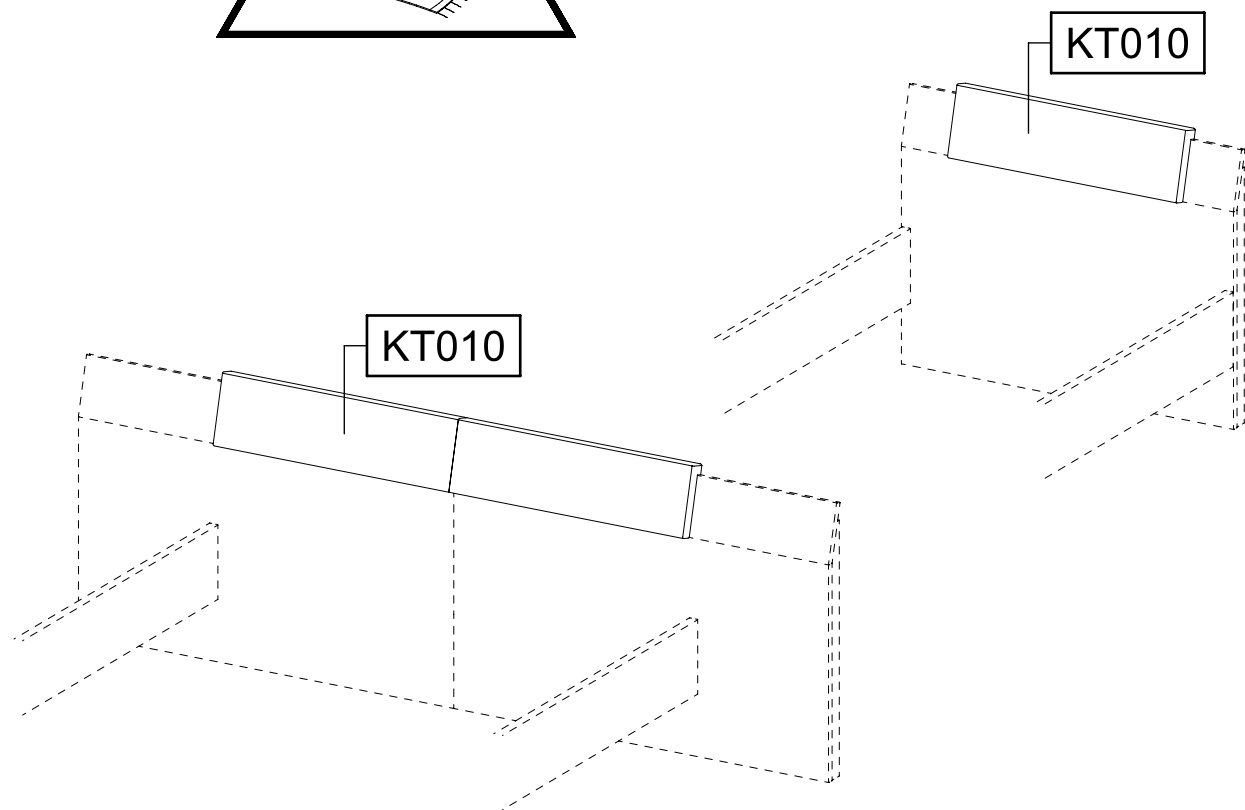
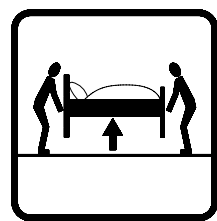
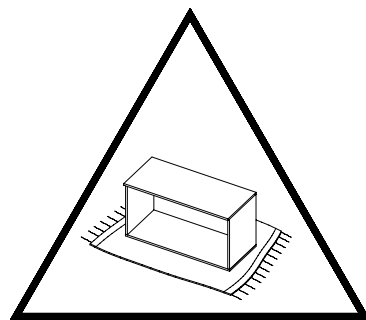
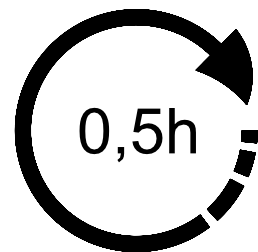
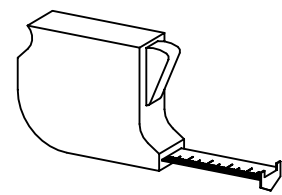
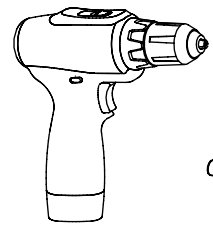
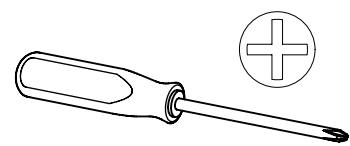


MZ233\_01

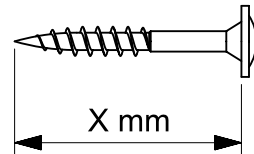
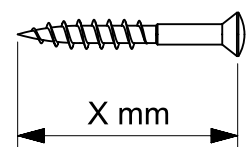
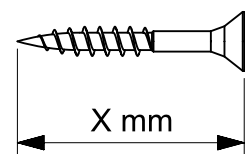
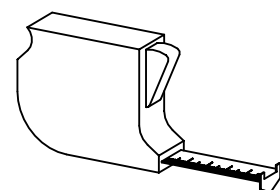
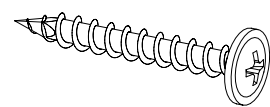
rauch



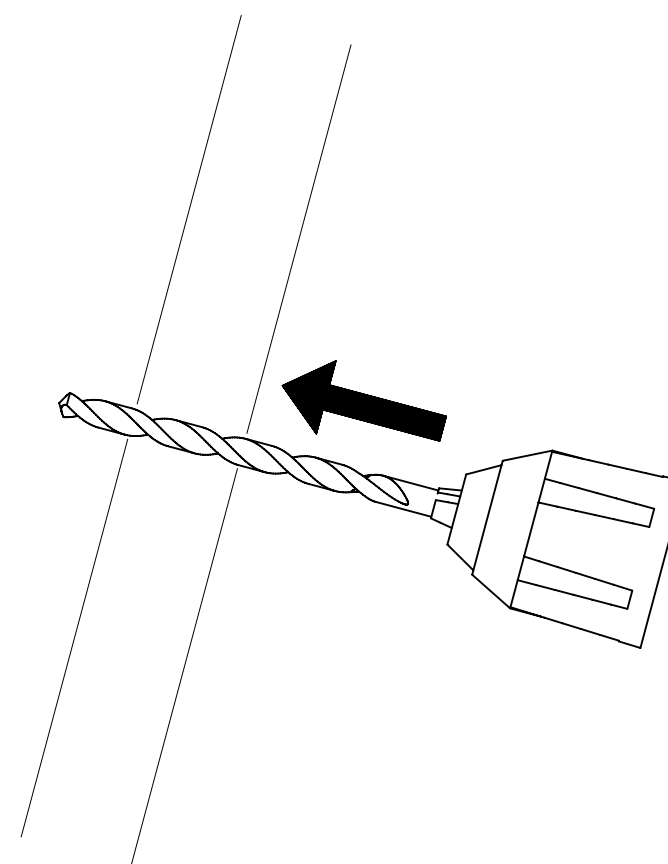
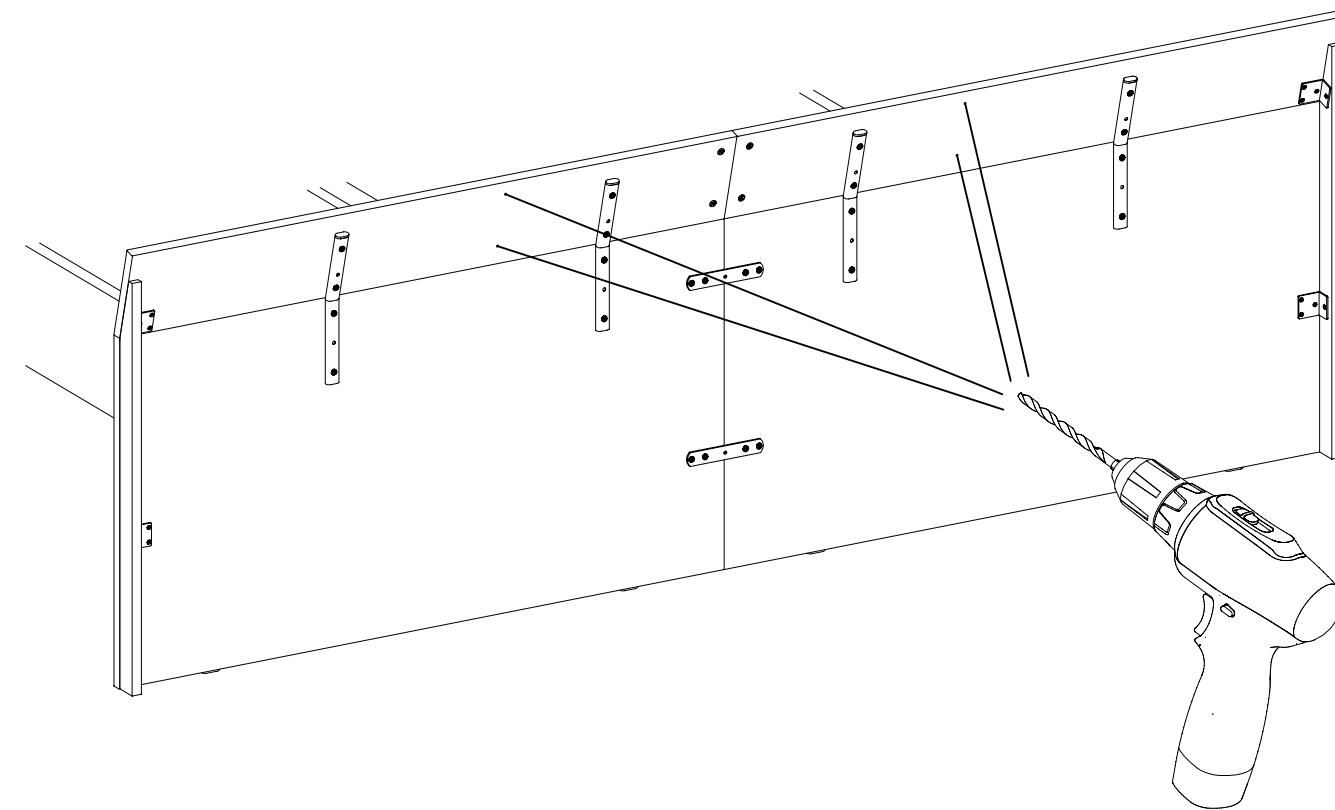
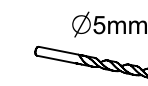
4x

4,5x35

214



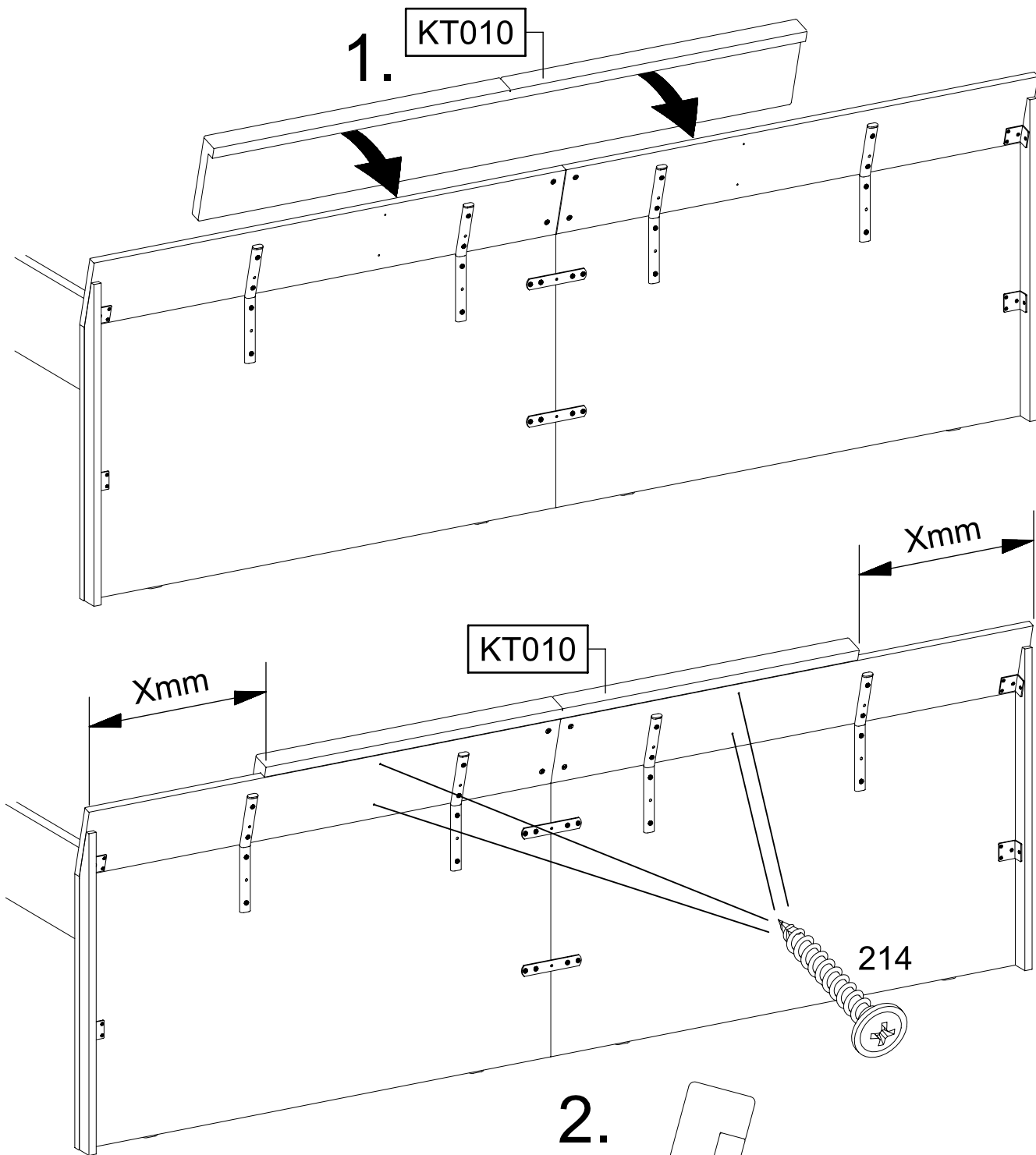
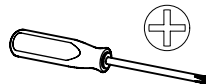
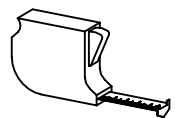
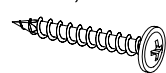
1



2

4x 214

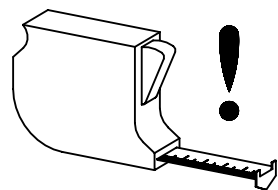
4,5x35



2.

KT010

214



X = X

