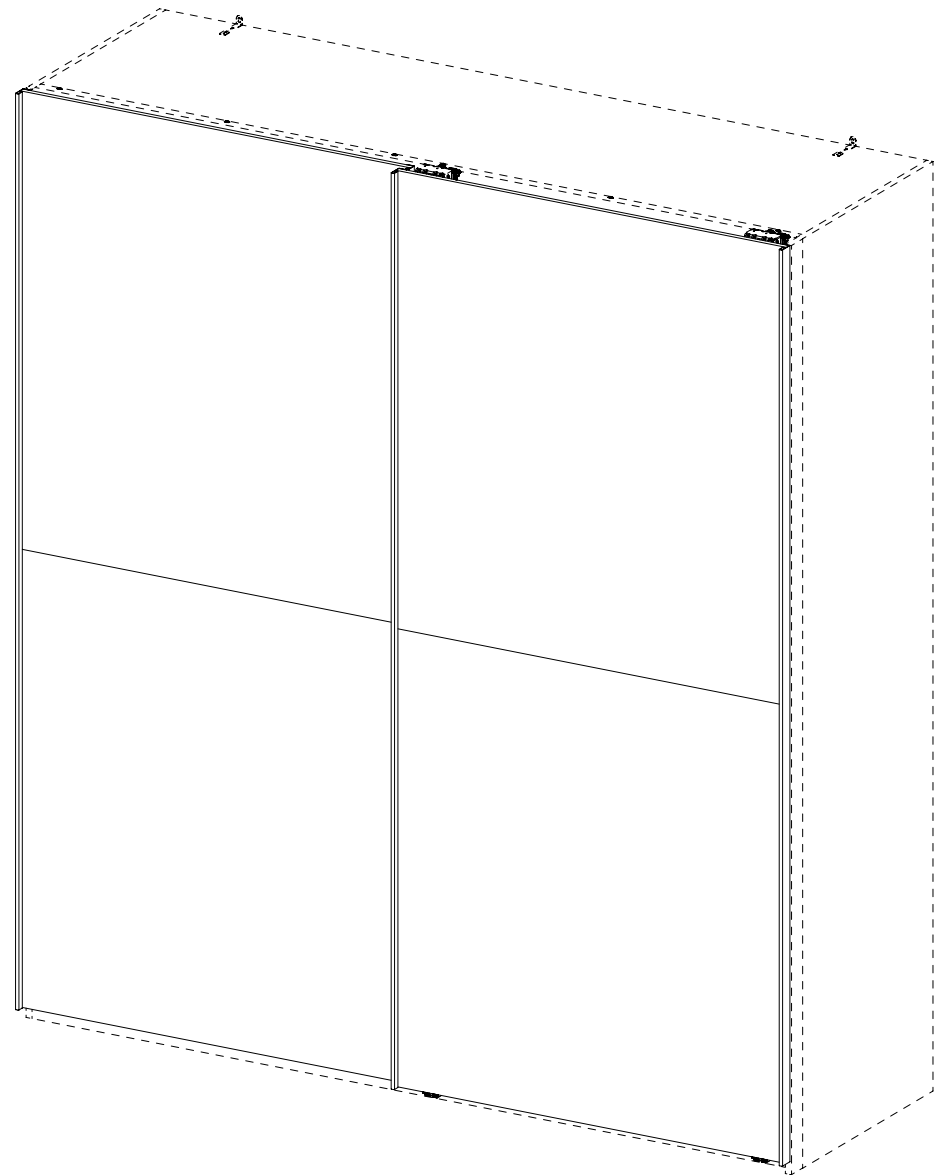
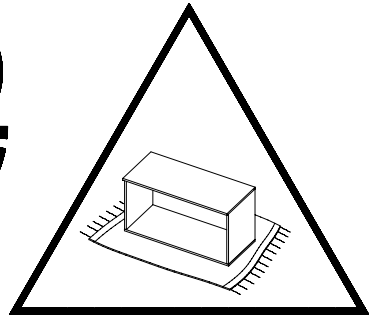
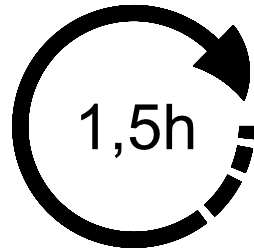
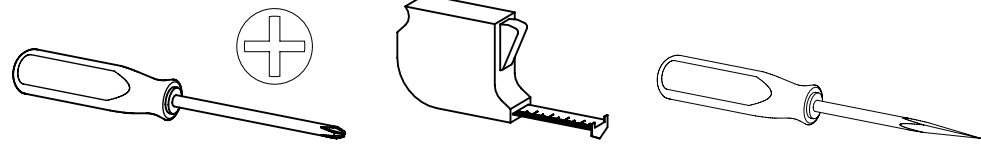


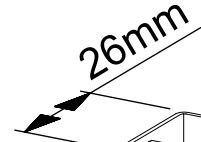
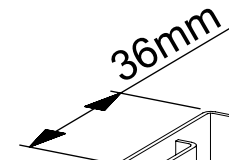
1.

MD991_02

rauch



2.



GR010

GR020

GR010

GR020

GR010

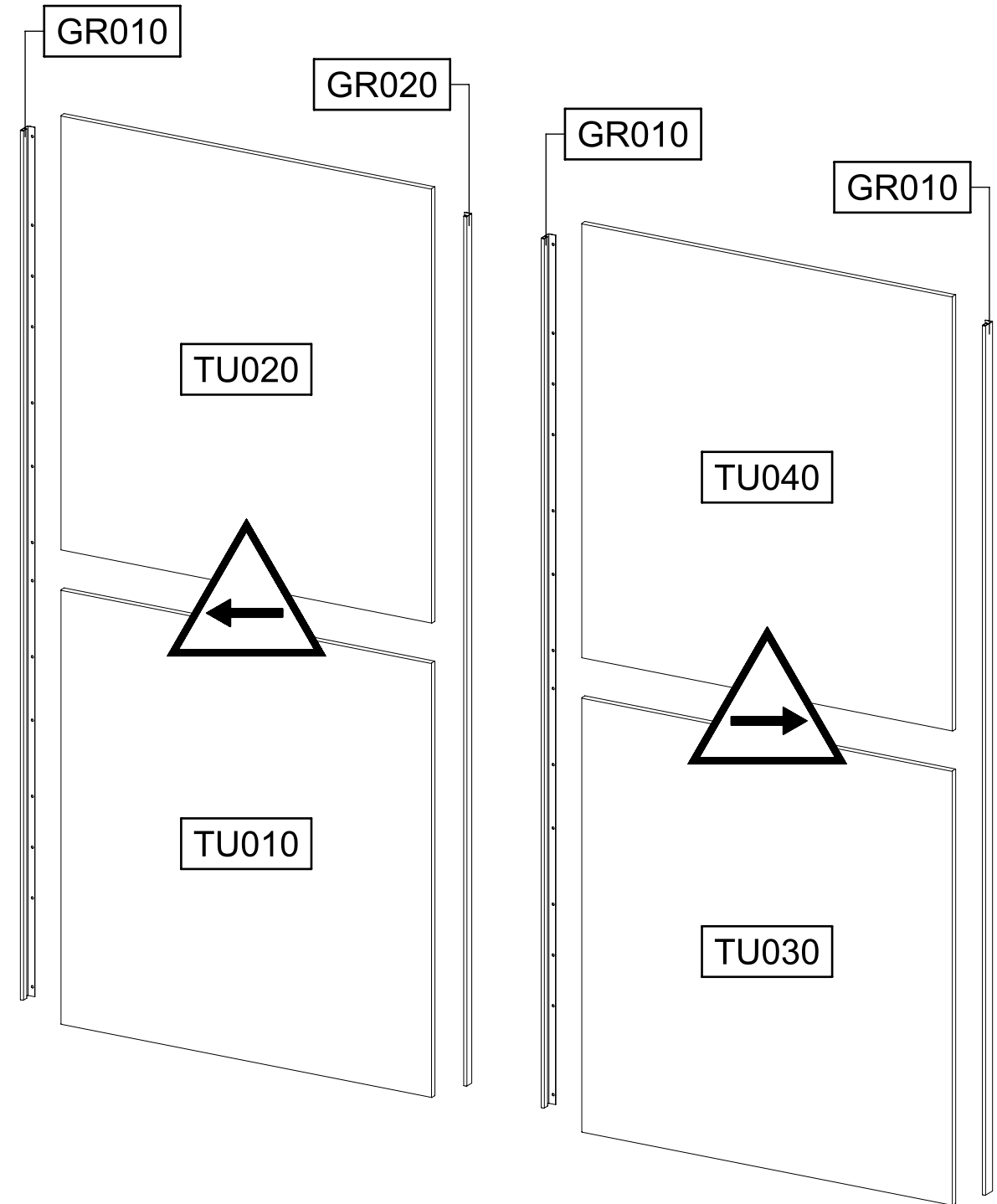
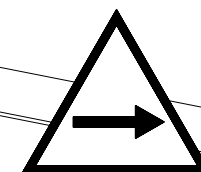
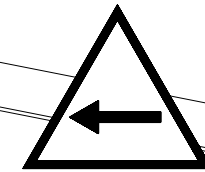
GR010

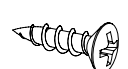
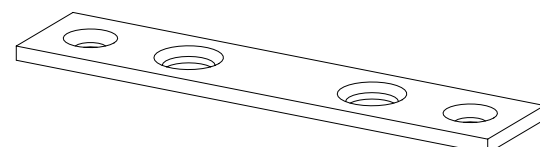
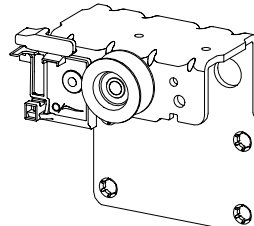
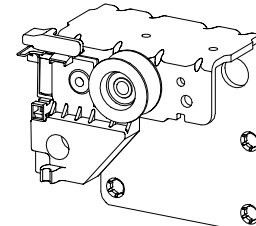
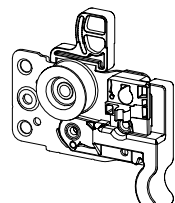
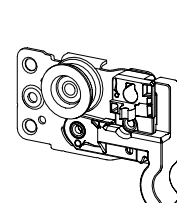
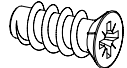
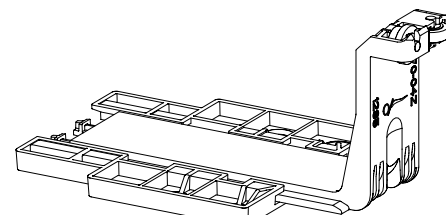
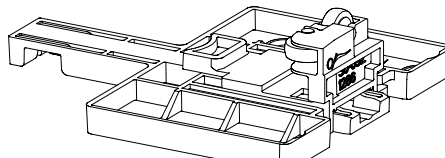
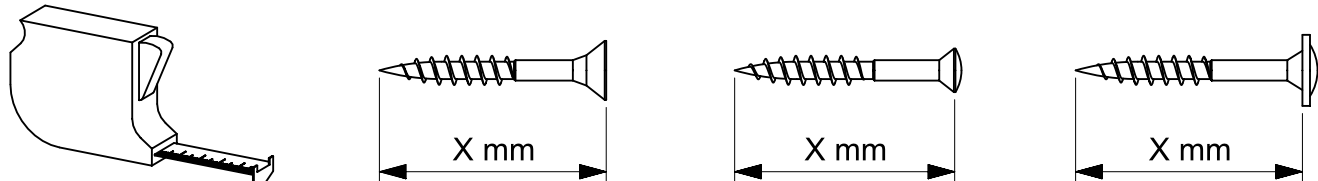
TU020

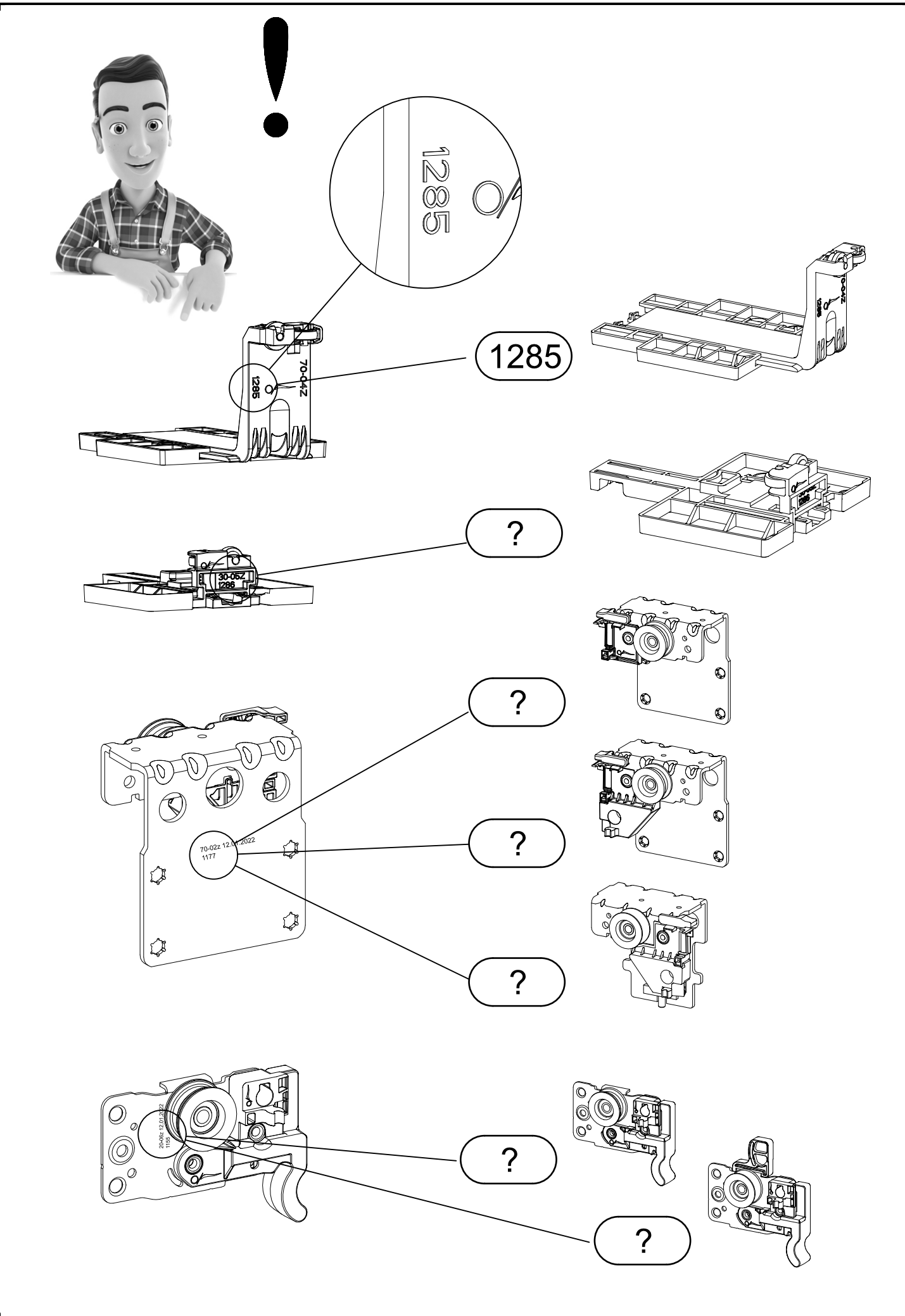
TU040

TU010

TU030



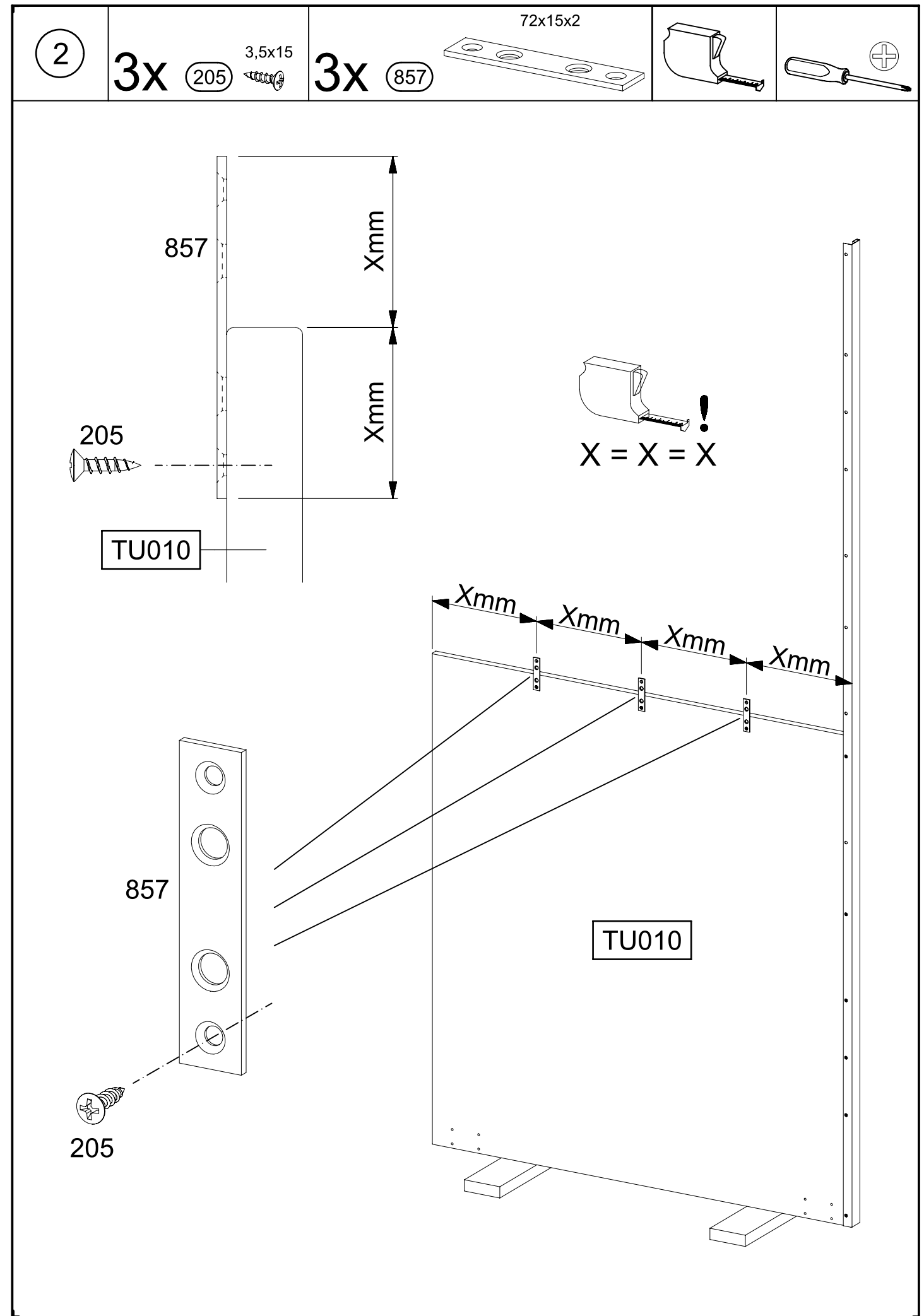
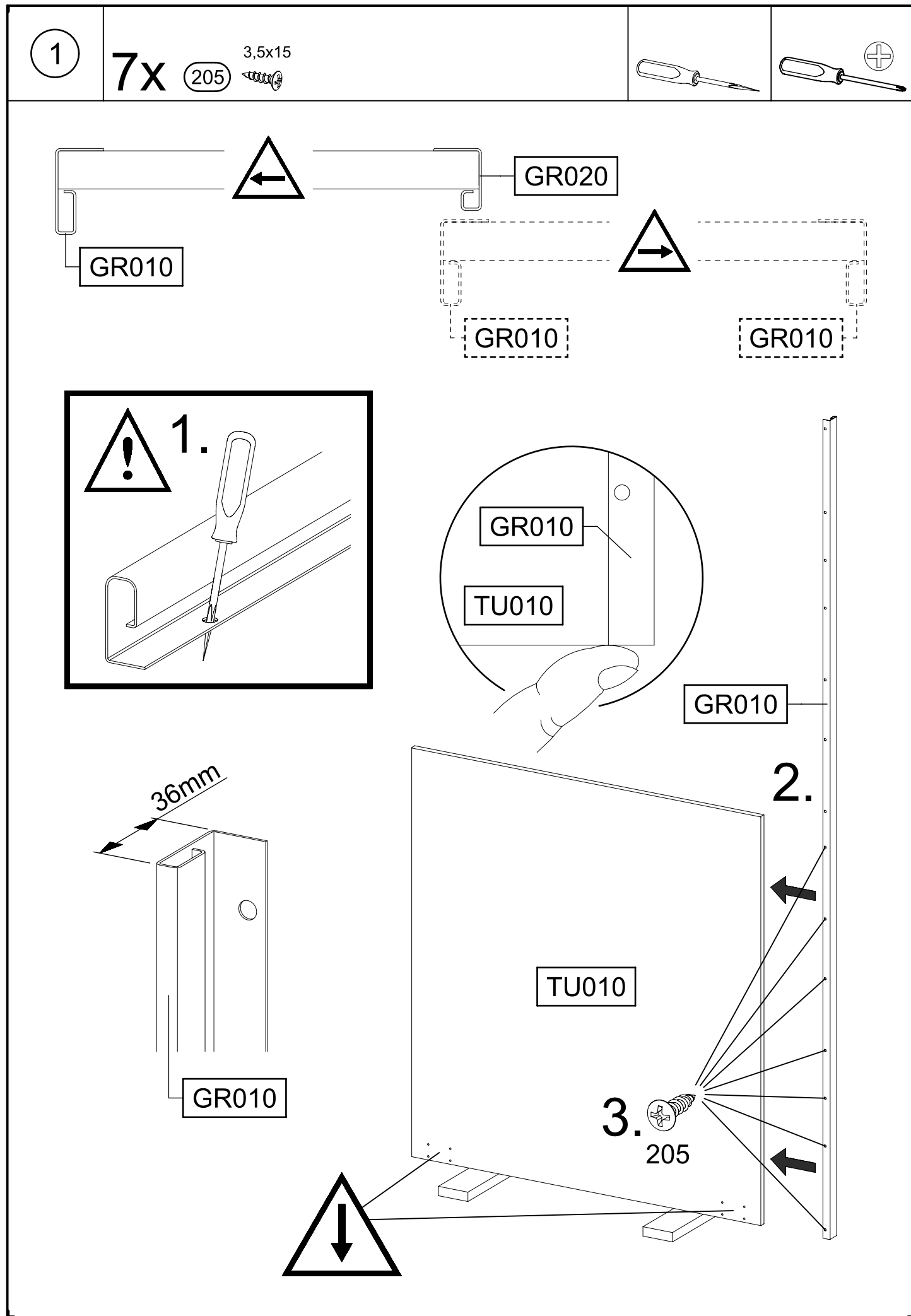
<p>76x</p> <p>3,5x15</p> <p>205 </p>	<p>6x</p> <p>72x15x2</p> <p>857 </p>
<p>1x</p> <p>1151 </p>	<p>1x</p> <p>1152 </p>
<p>1x</p> <p>1155 </p>	<p>1x</p> <p>1156 </p>
<p>24x</p> <p>6,3x14</p> <p>1173 </p>	<p>2x</p> <p>1285 </p>
<p>2x</p> <p>1286 </p>	
	

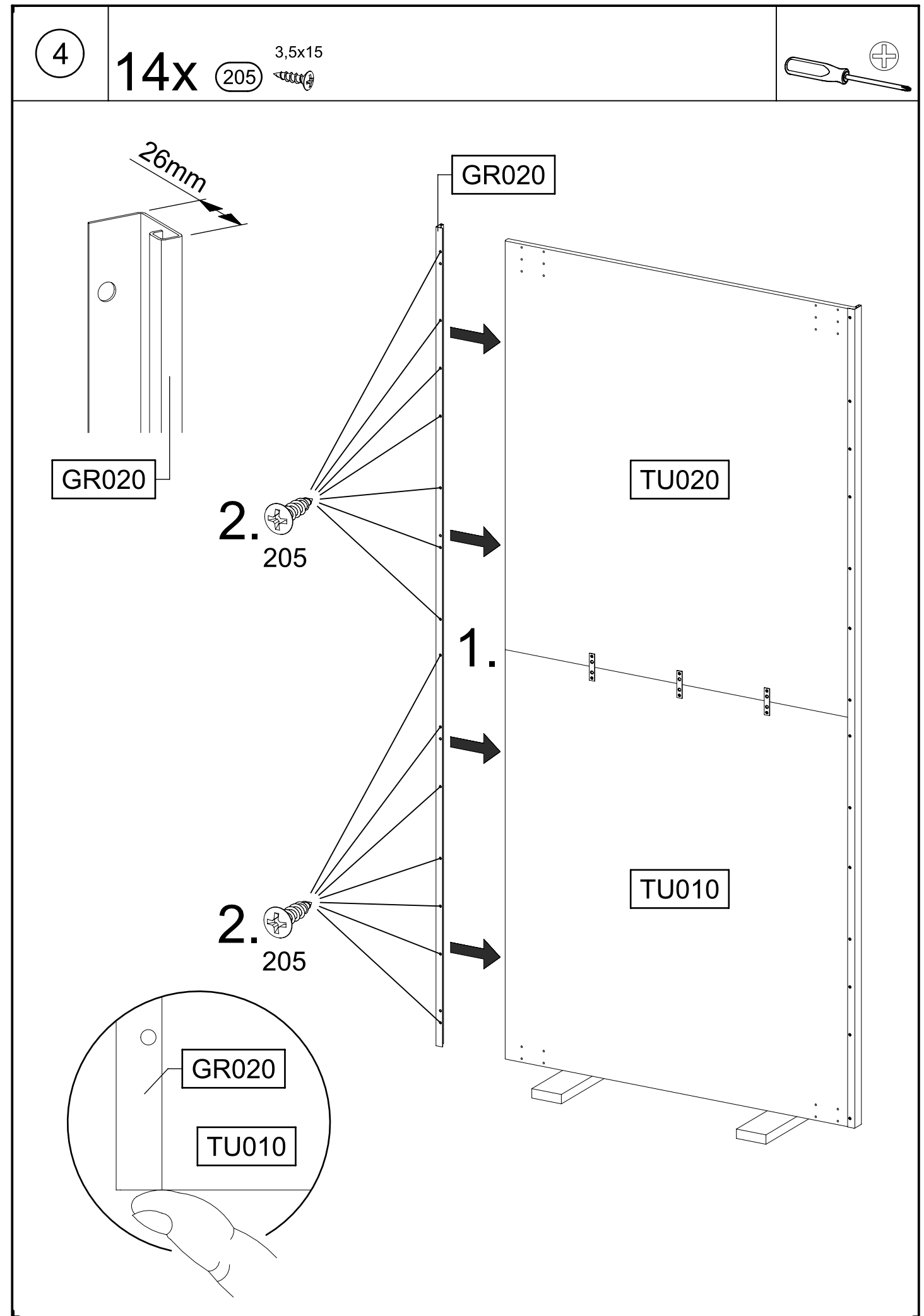
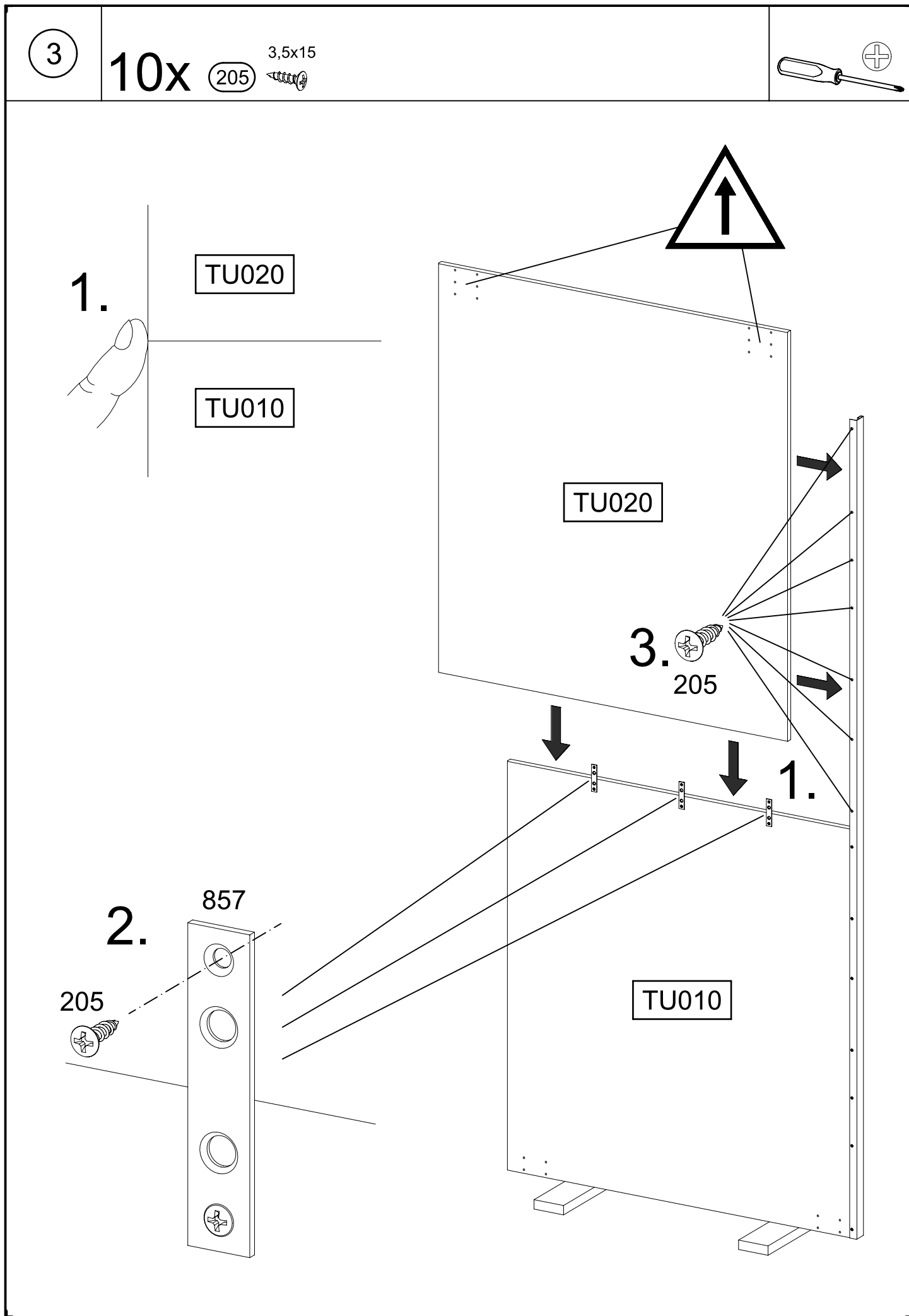


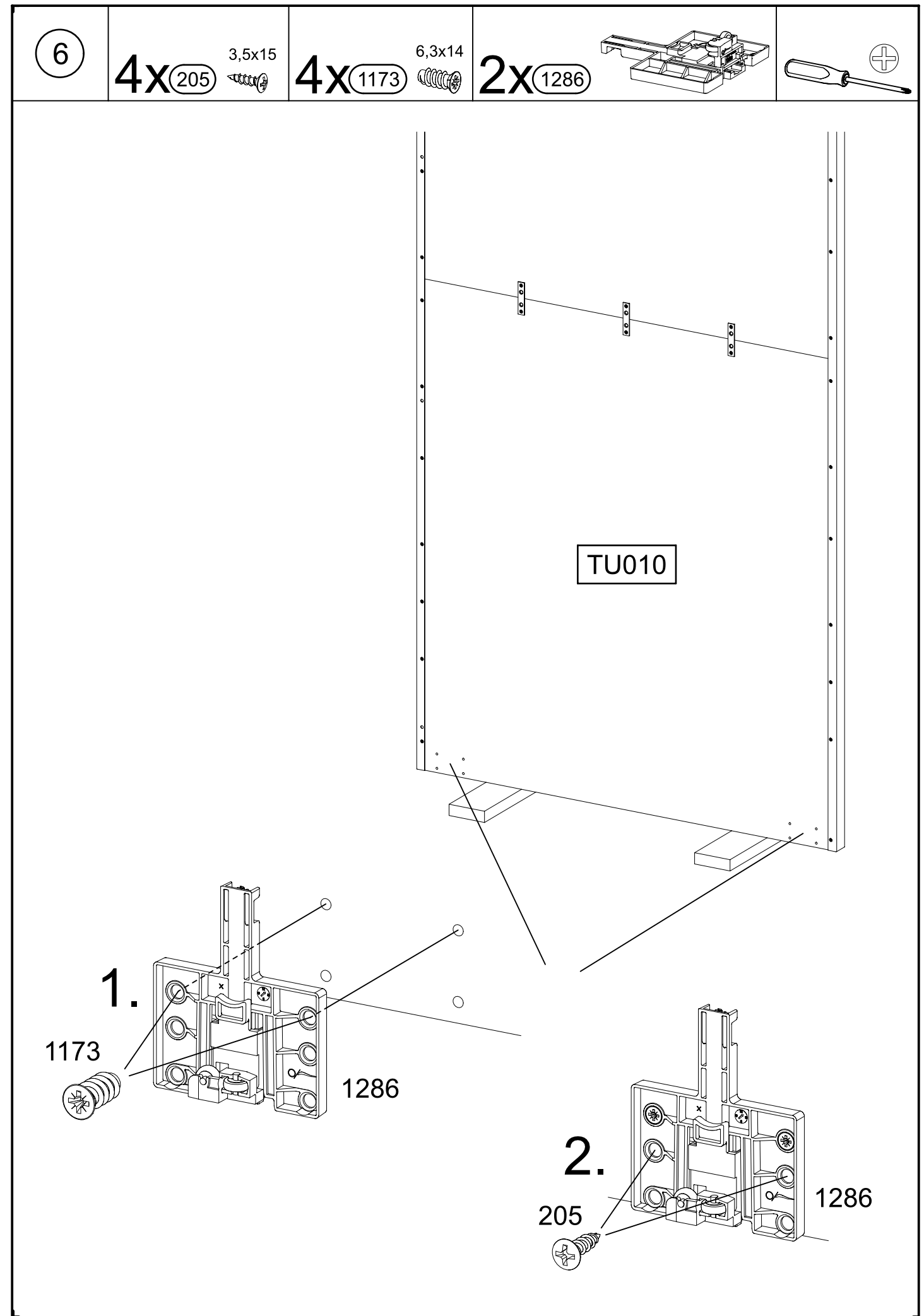
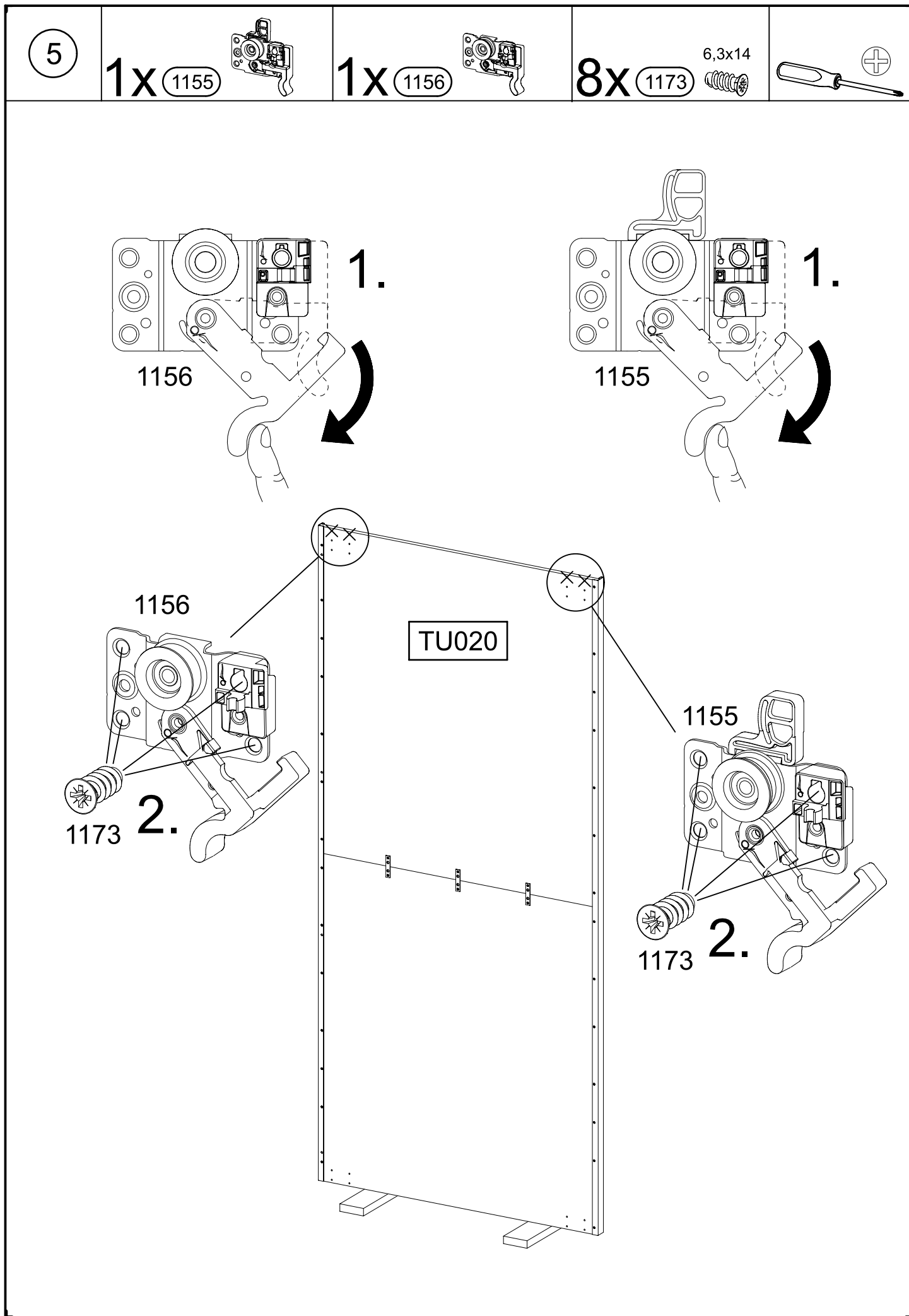
The diagram shows a man pointing to a large assembly diagram. A callout bubble shows a close-up of a hole in a beam with the number **1285**. Below this, a series of assembly steps are shown with callouts to various parts:

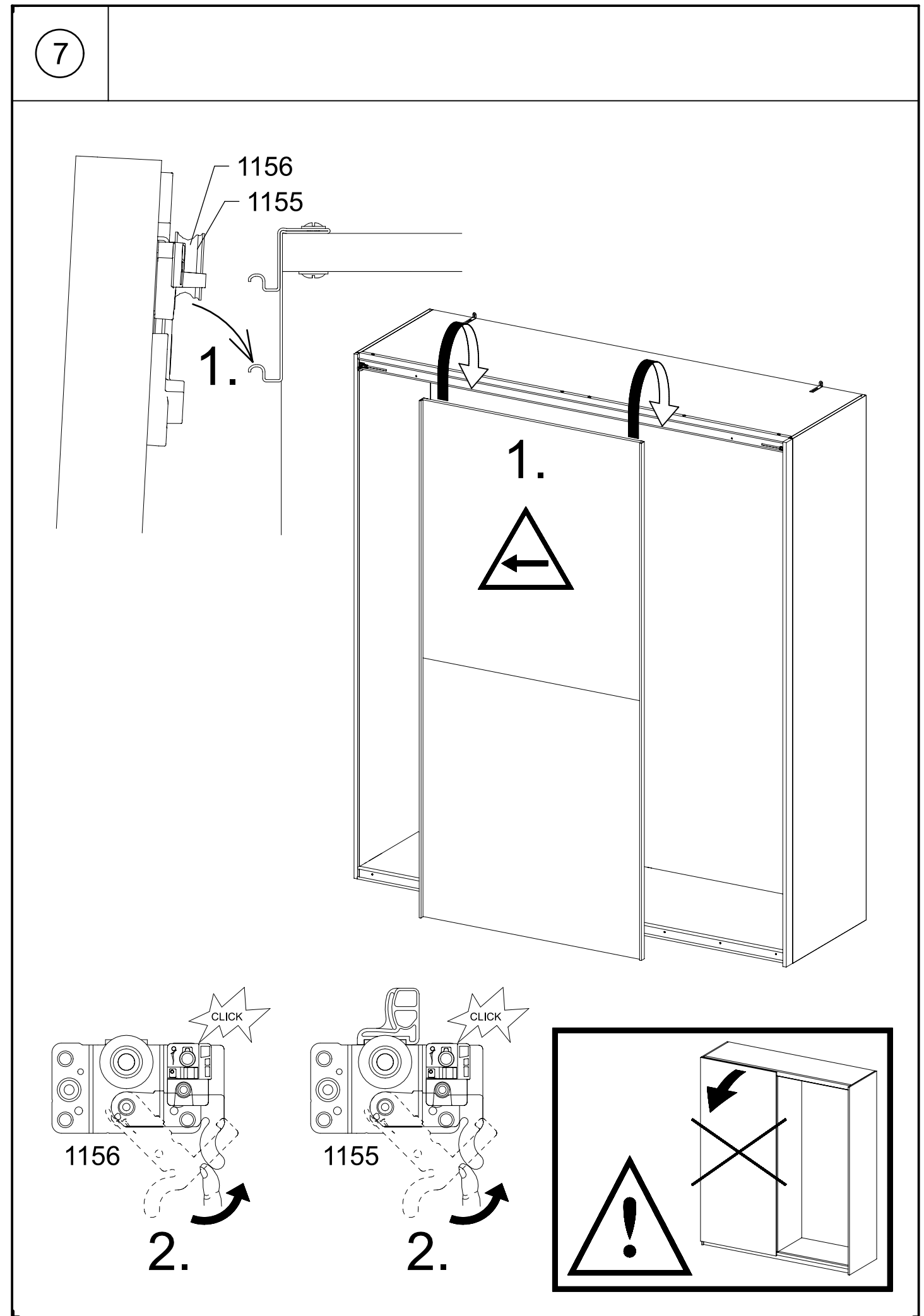
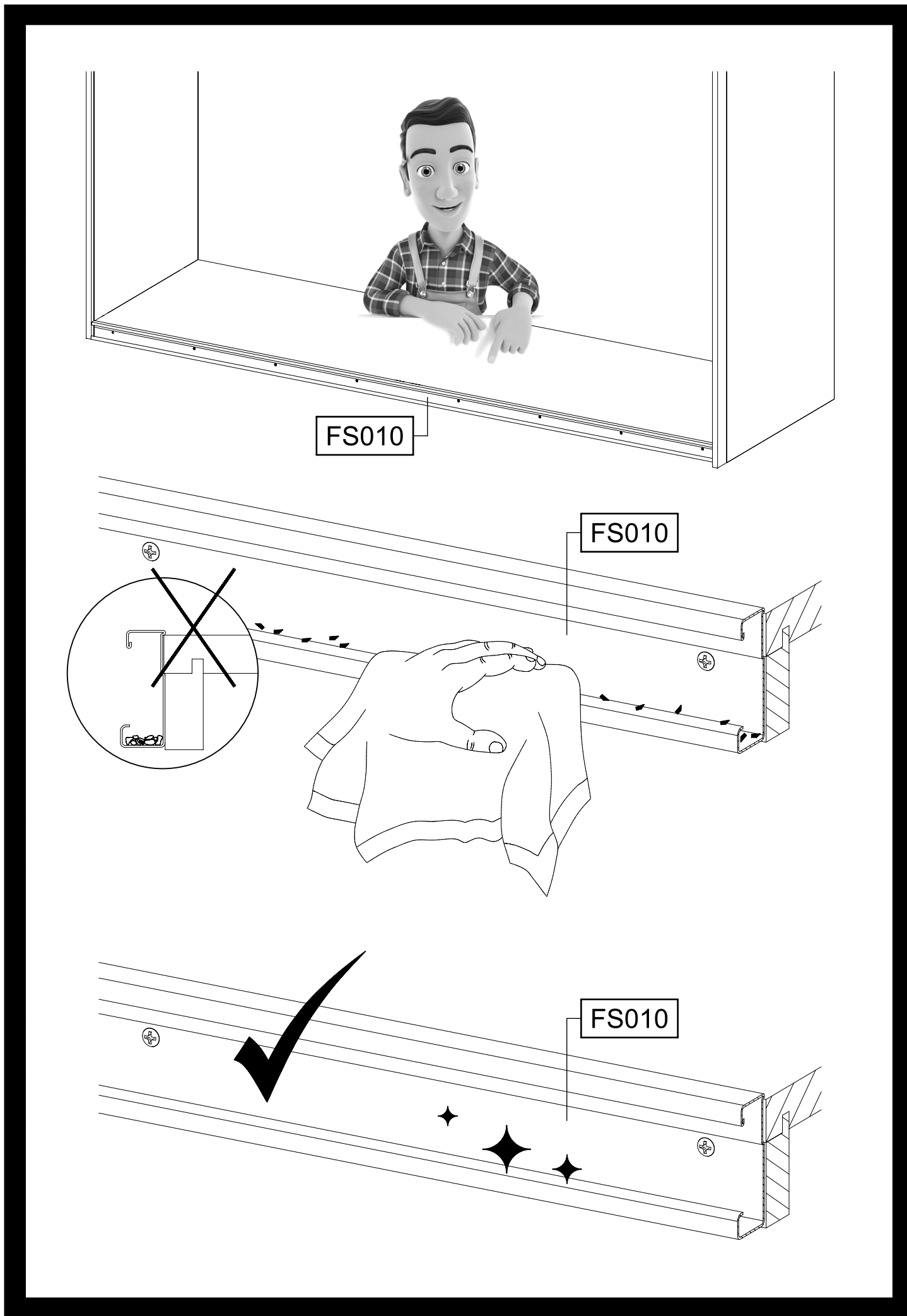
- Step 1: A beam with a hole and a screw. Callout: **1285**.
- Step 2: A bracket being attached to the beam. Callout: **?**.
- Step 3: A larger assembly being attached. Callout: **?**.
- Step 4: A large plate being attached to the assembly. Callout: **?**.
- Step 5: A smaller assembly being attached to the plate. Callout: **?**.
- Step 6: A final assembly step. Callout: **?**.

On the right side of the diagram, several individual components are shown, including brackets and plates, with callouts to **1285** and **?**.

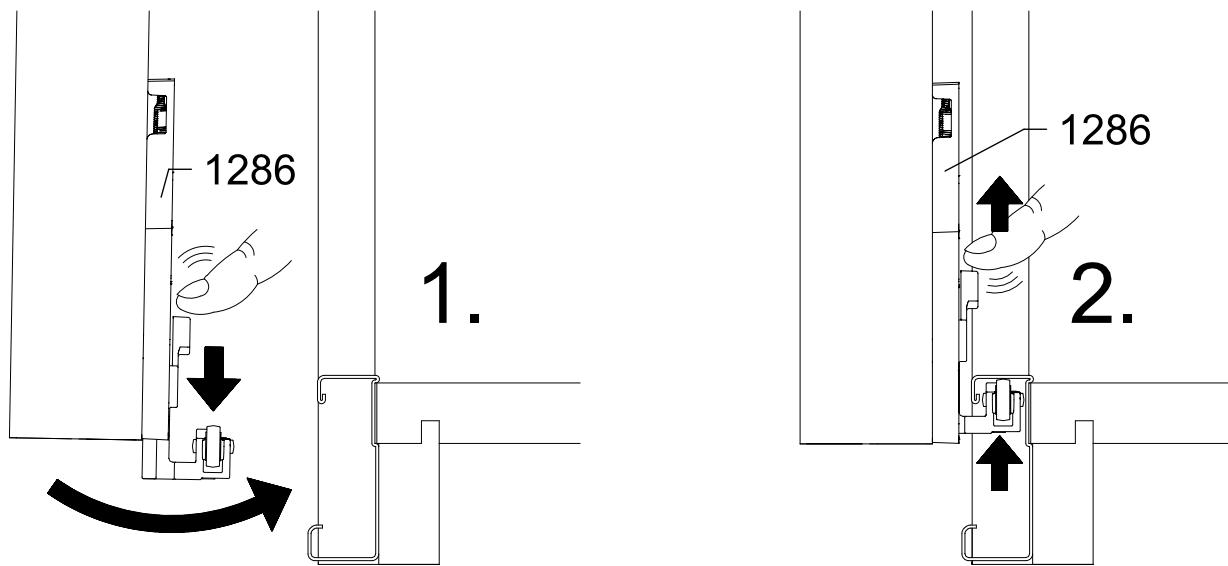
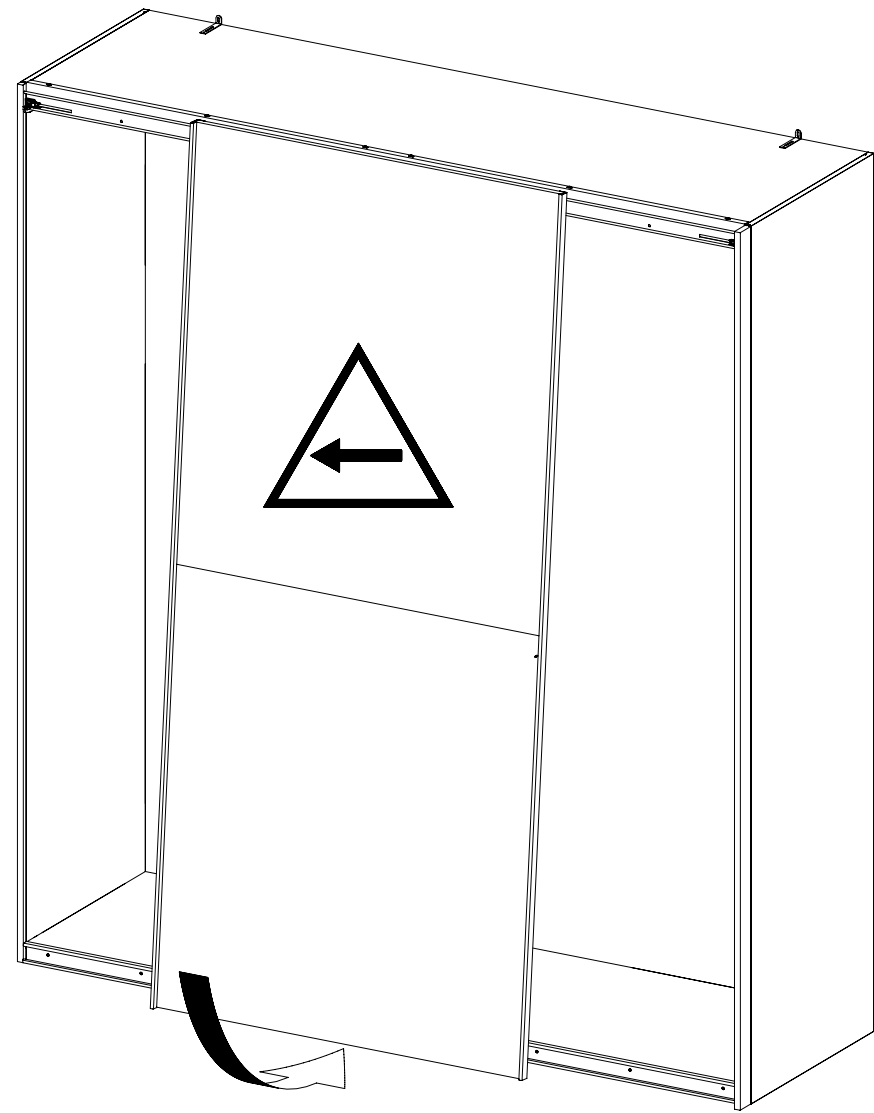






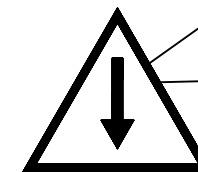
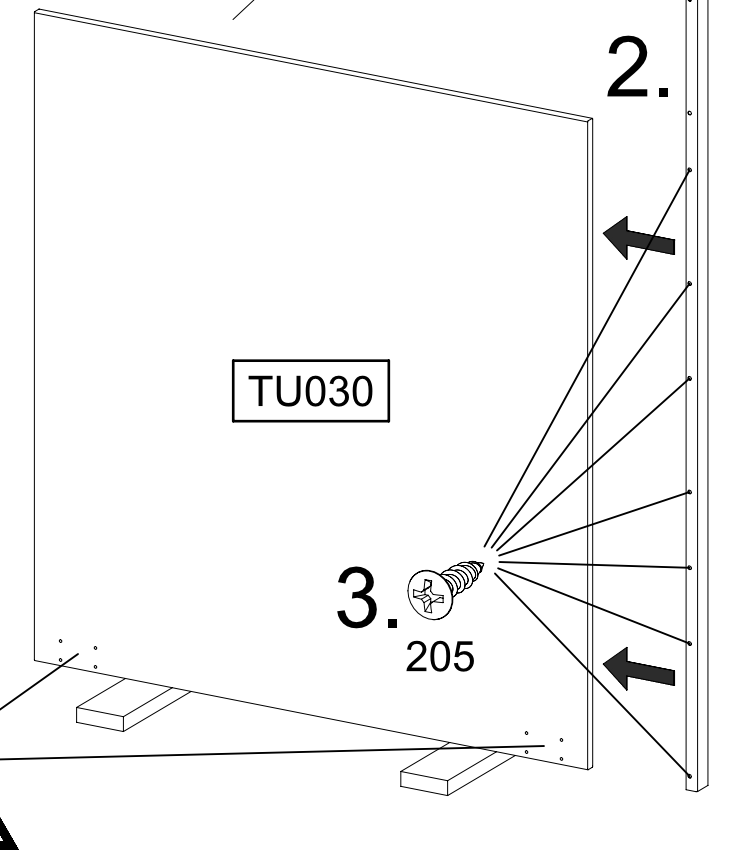
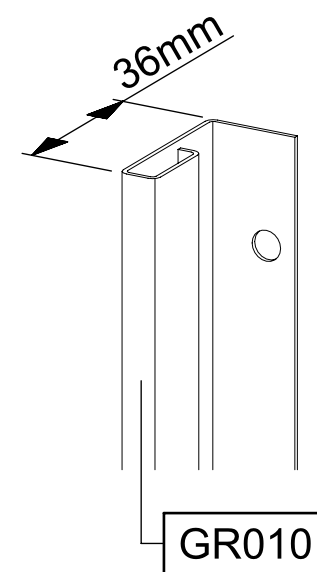
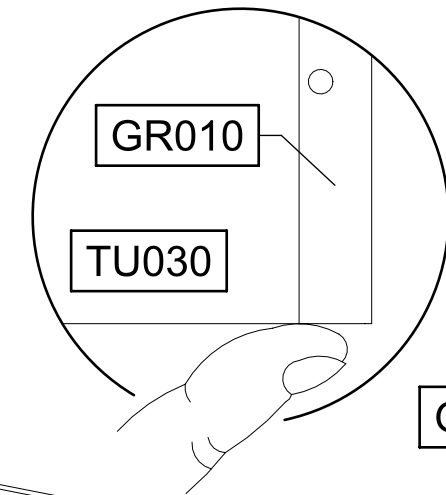
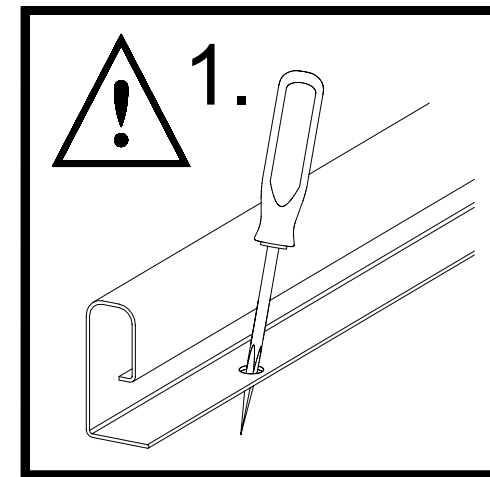
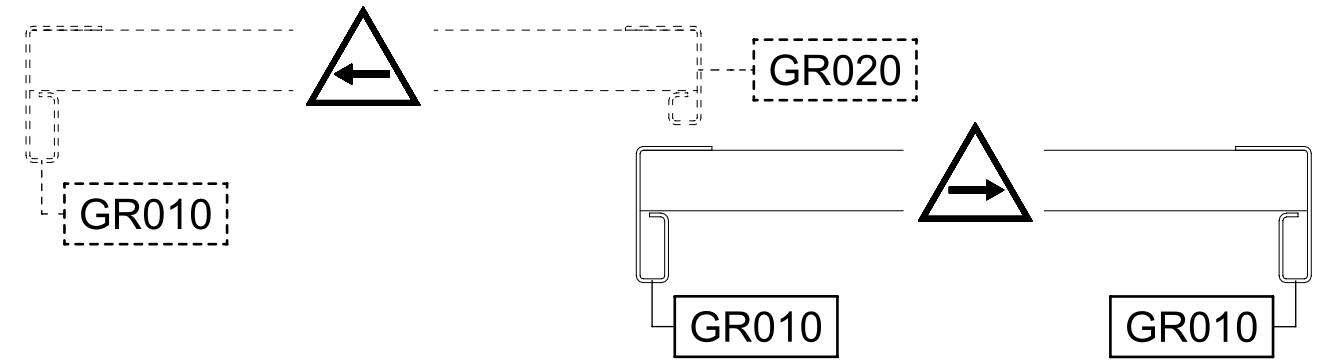
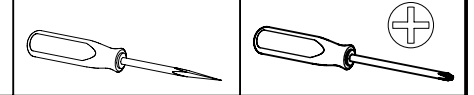


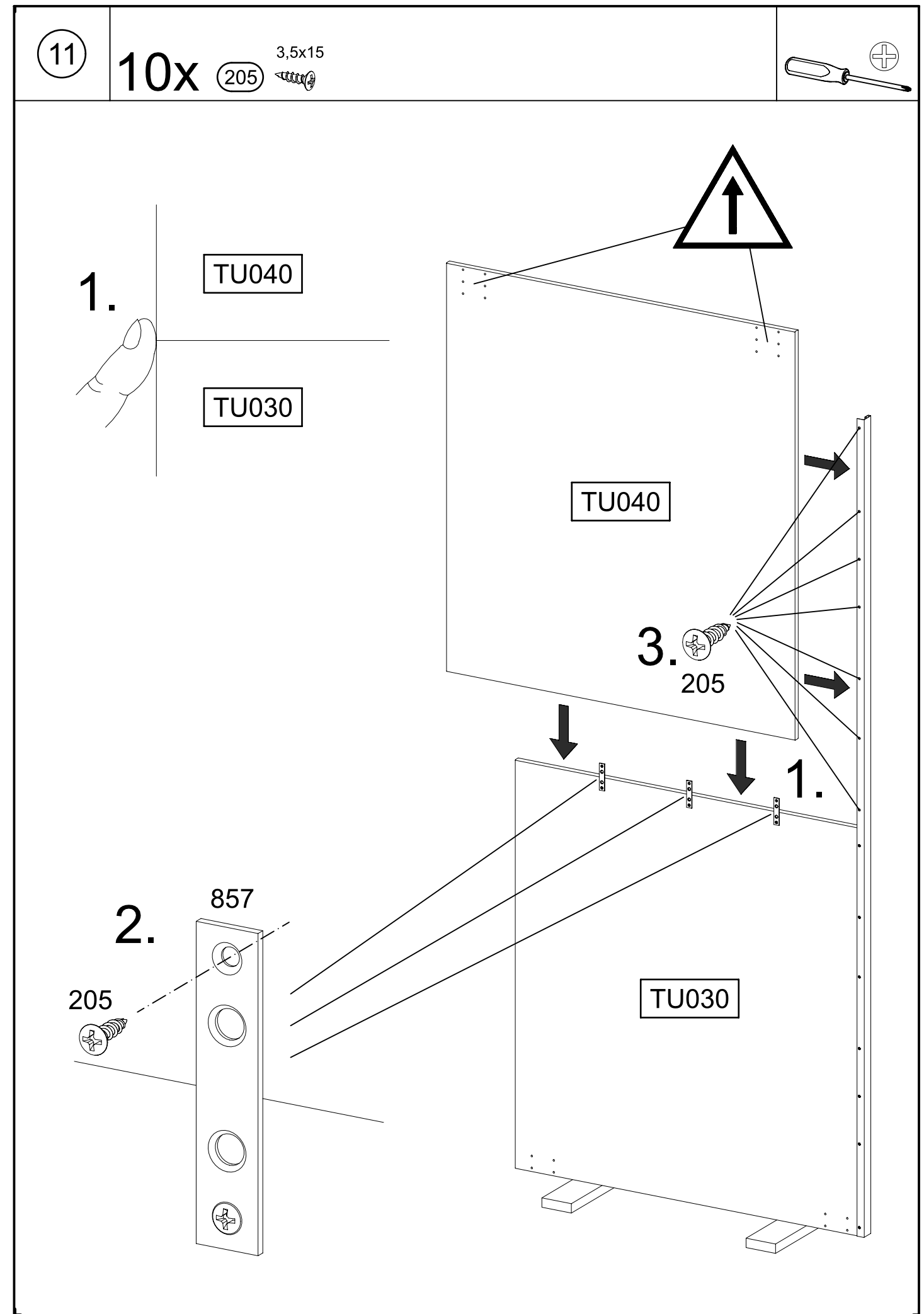
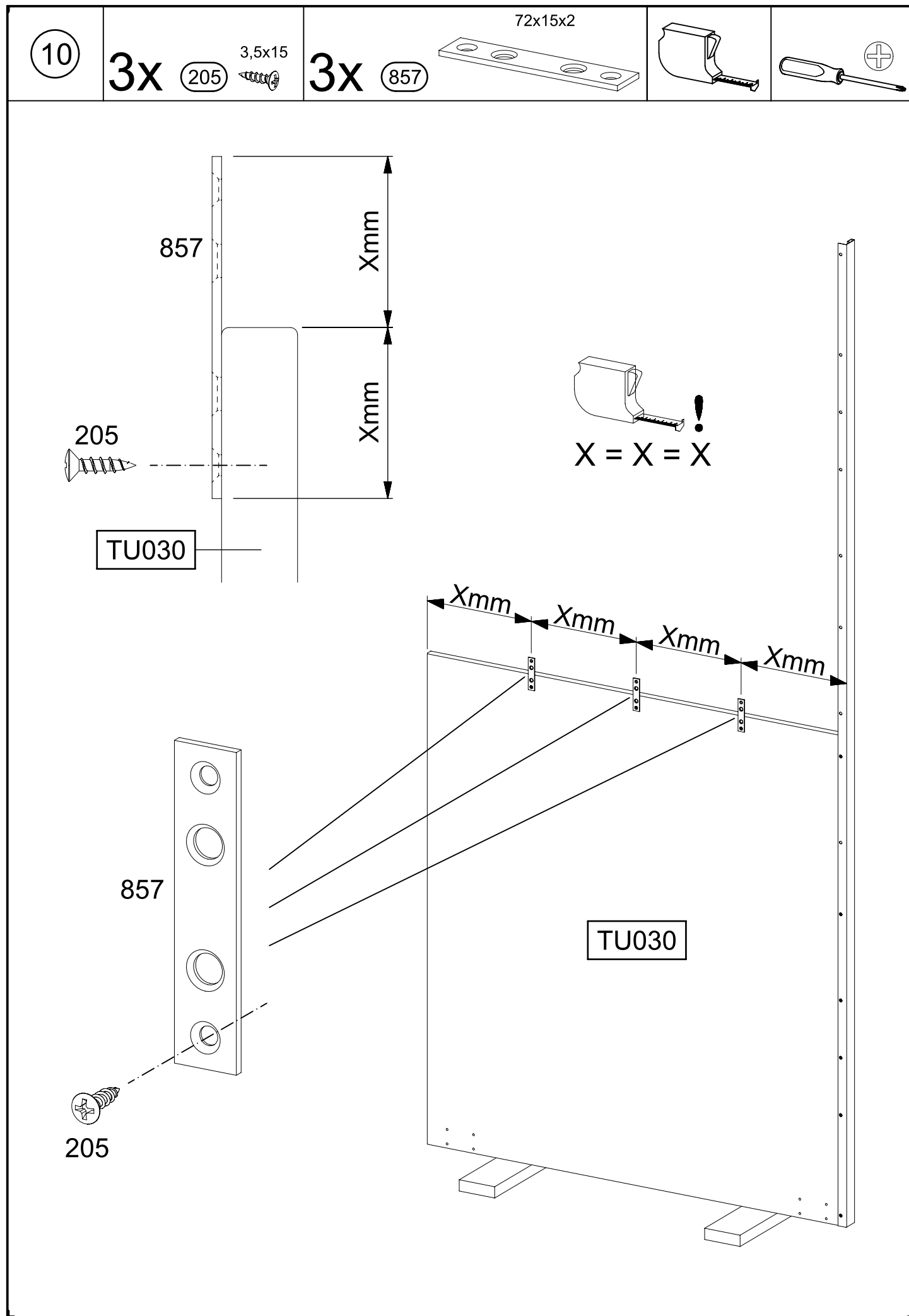
8

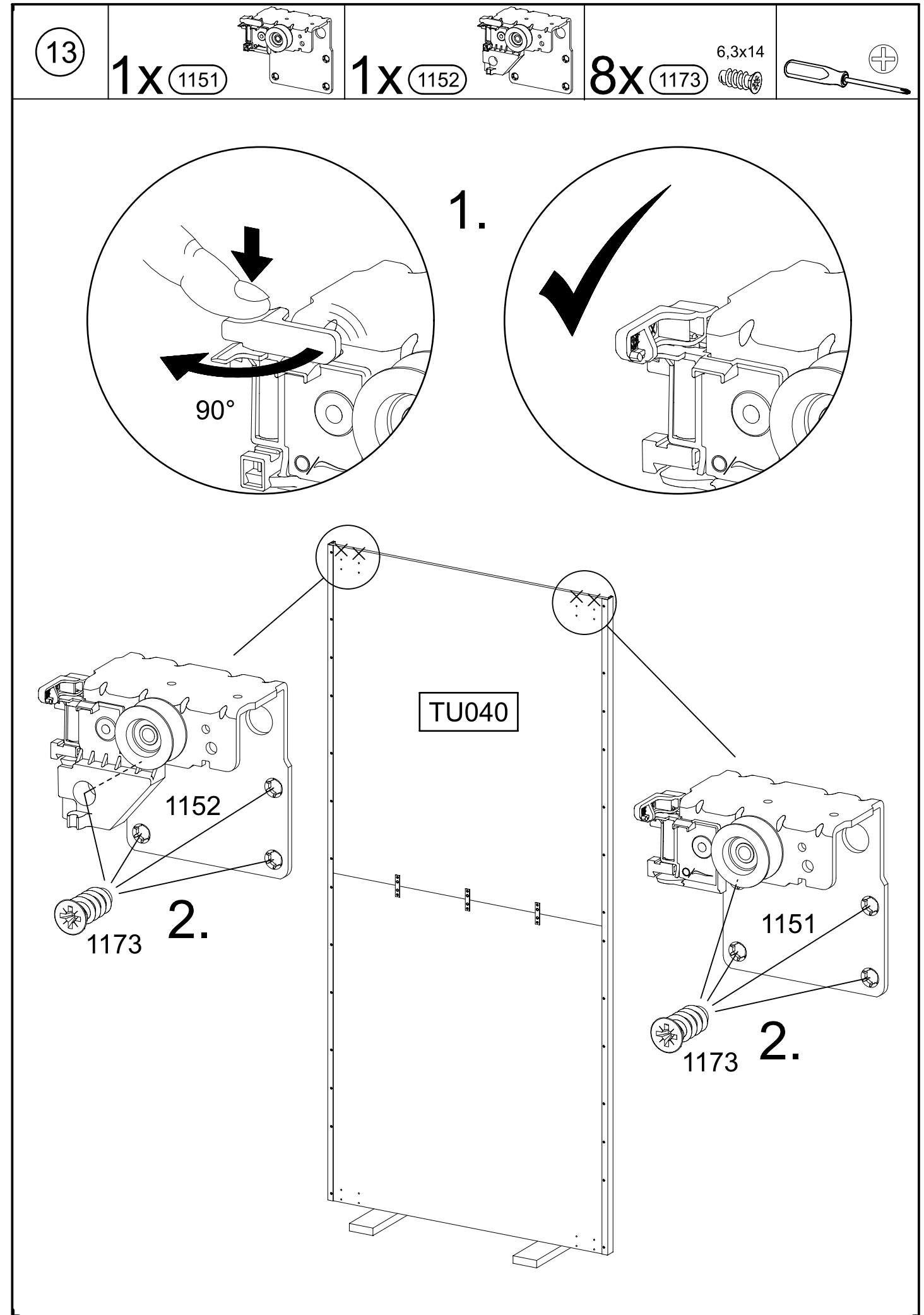
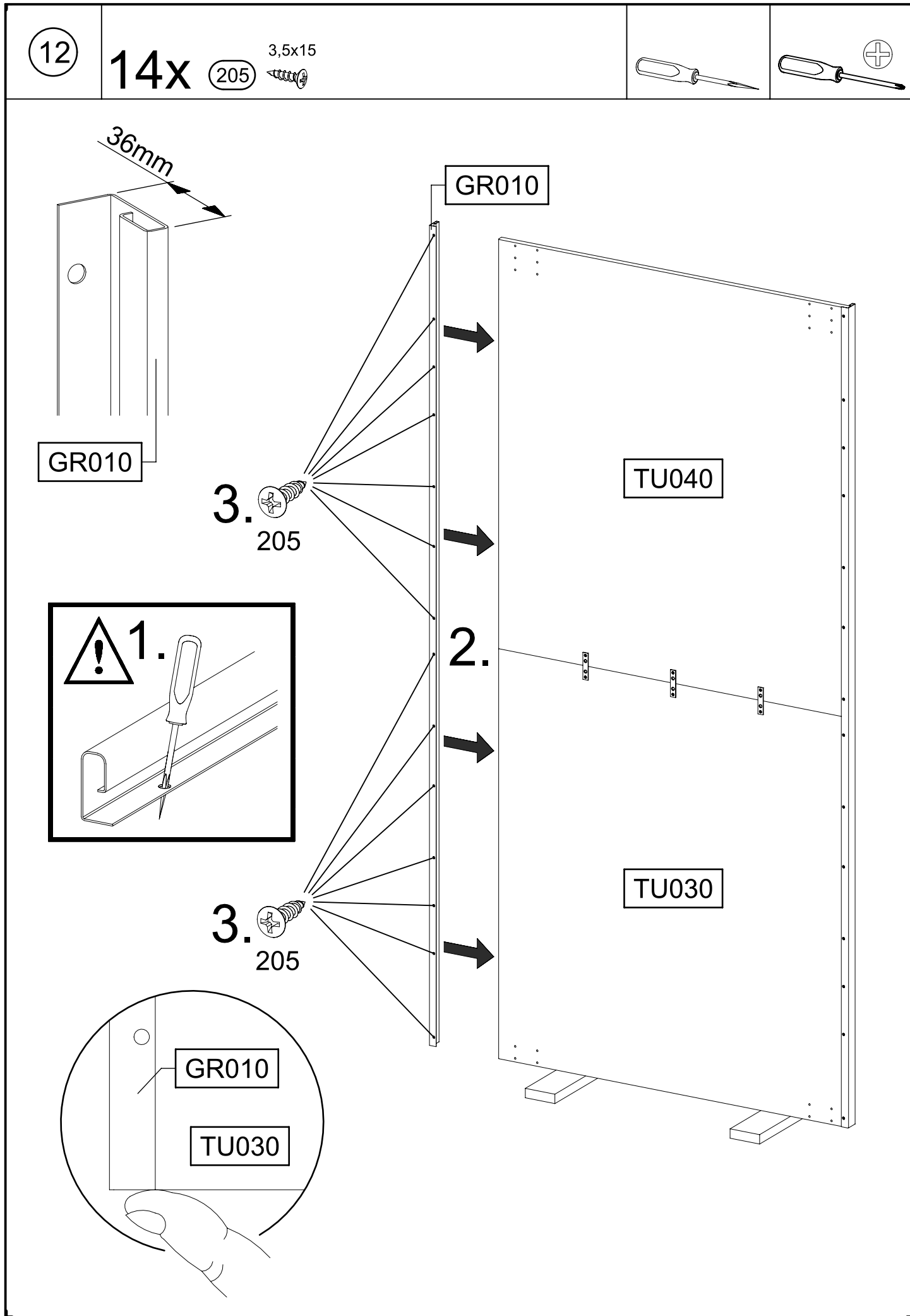


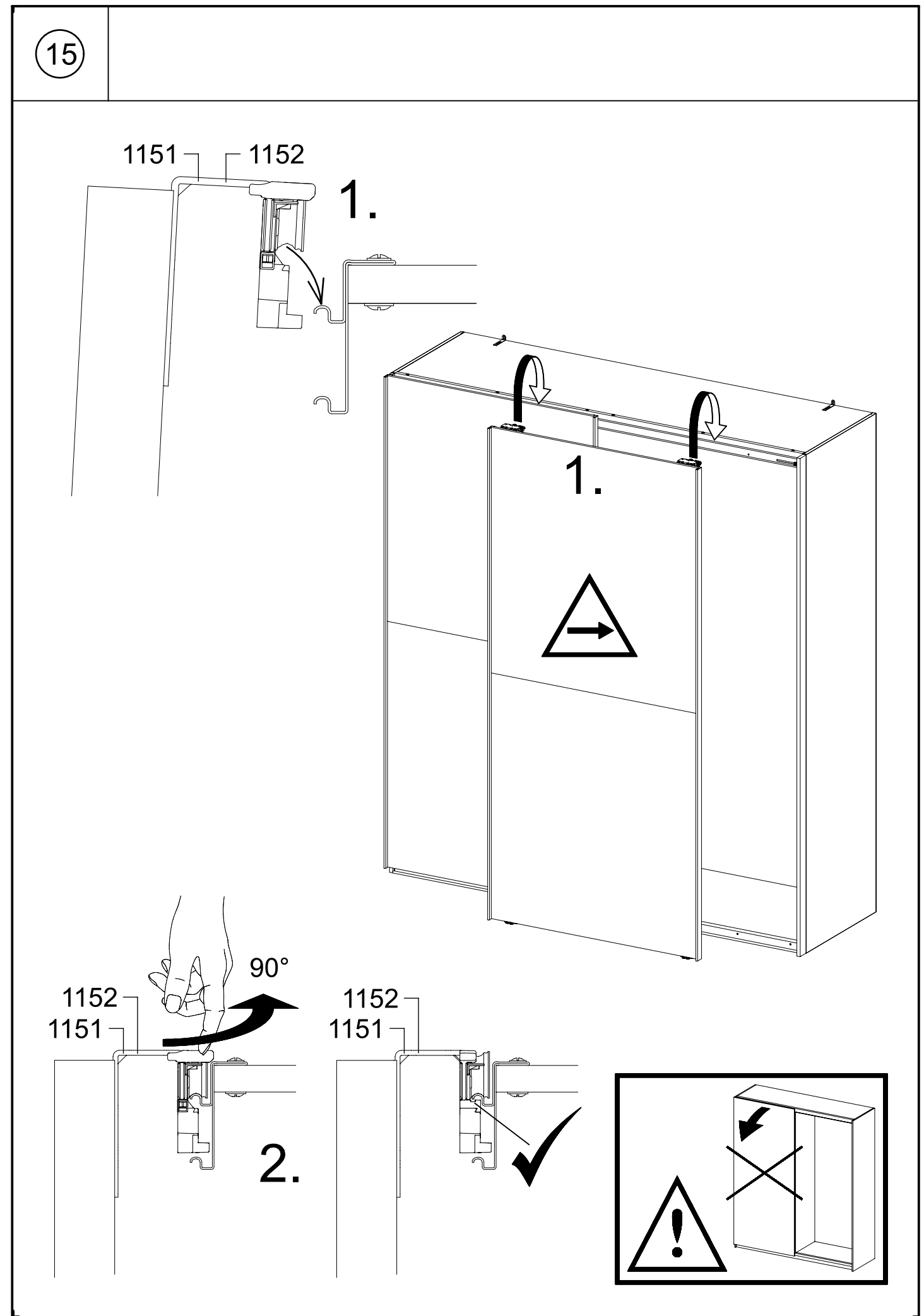
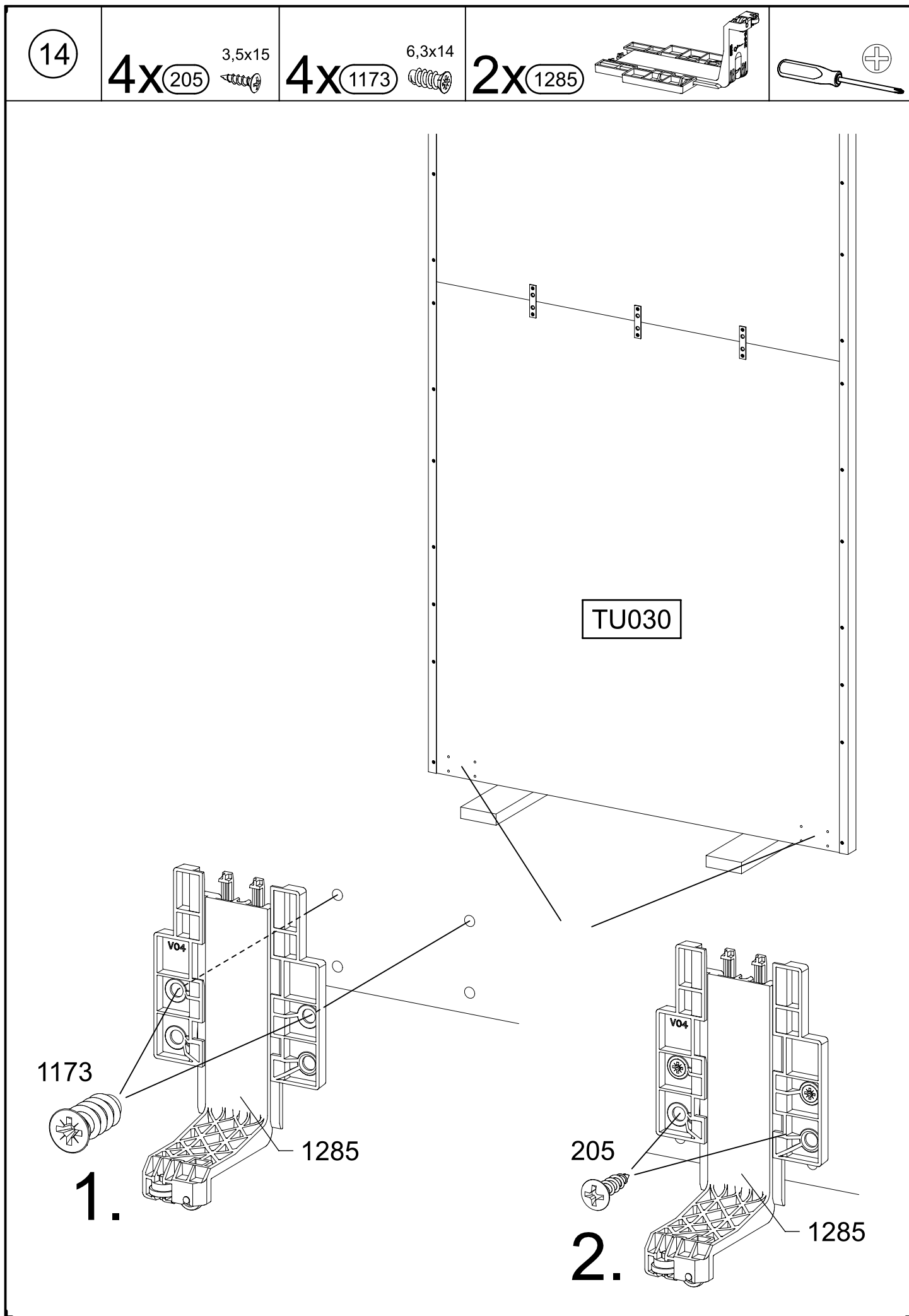
9

7x 3,5x15 (205)

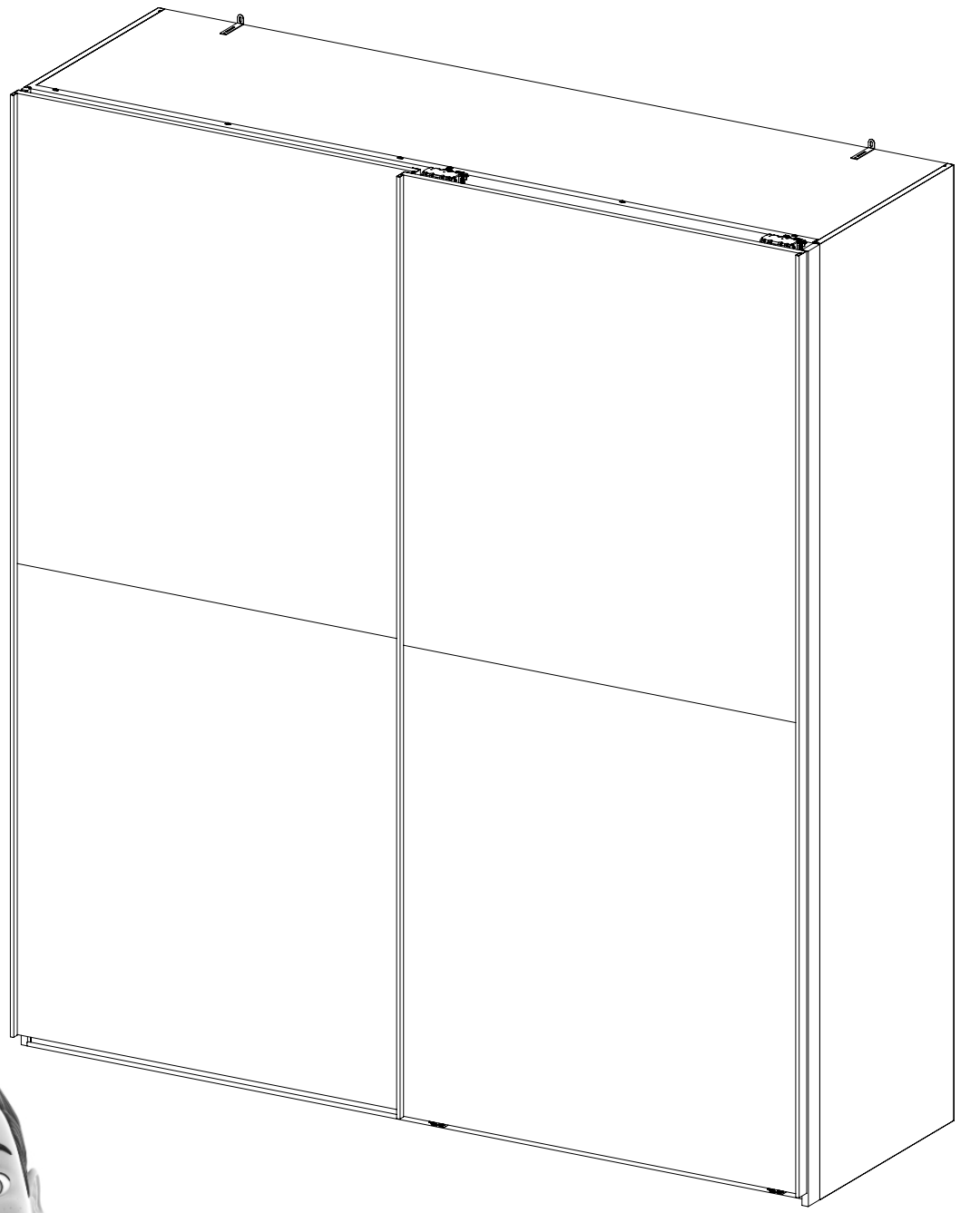
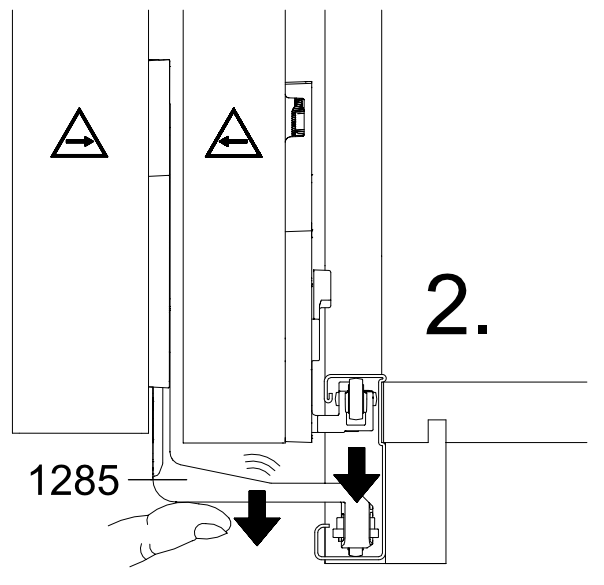
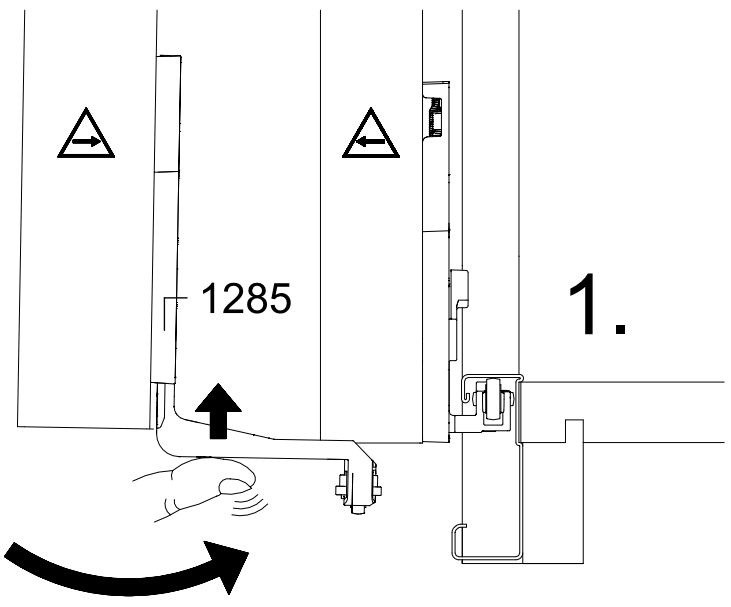
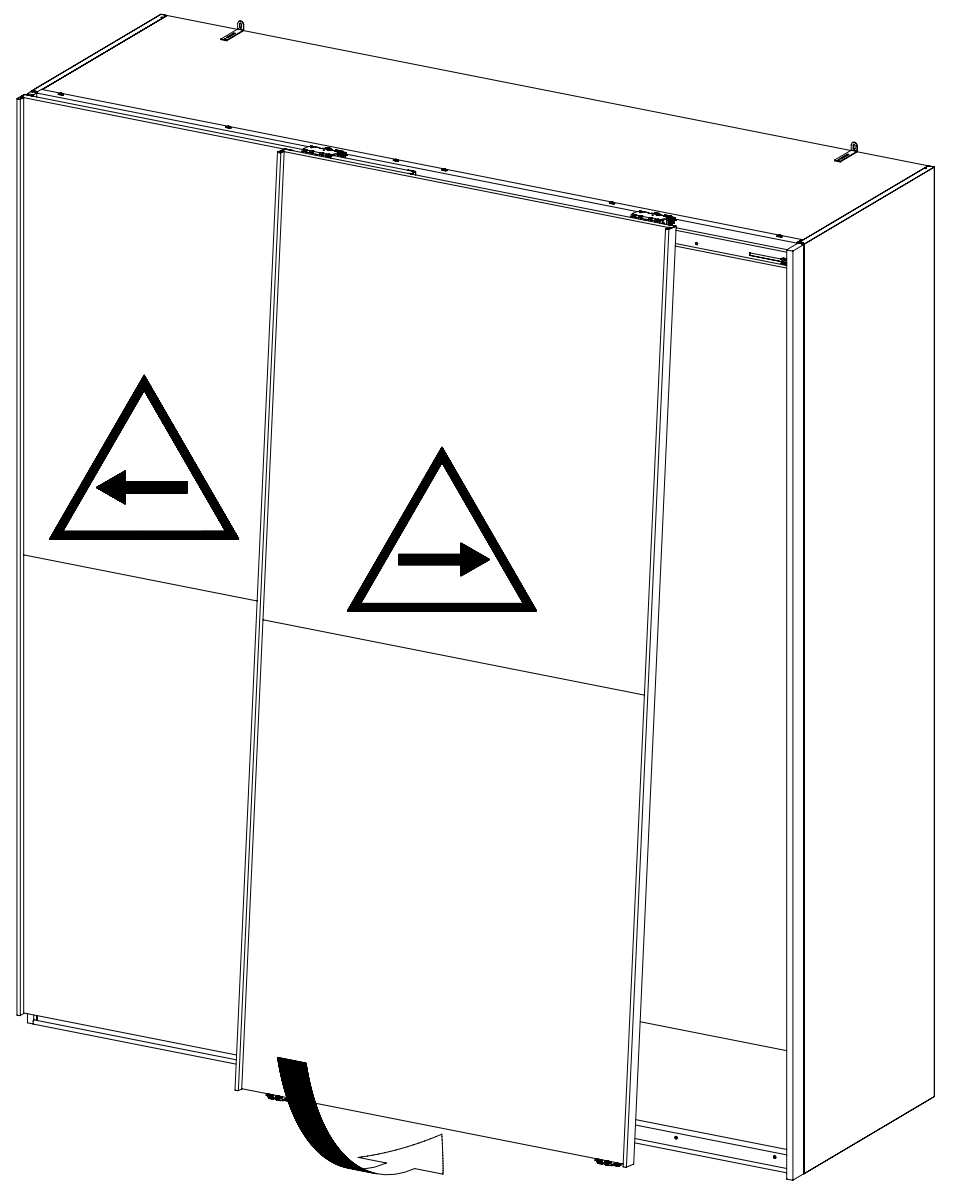


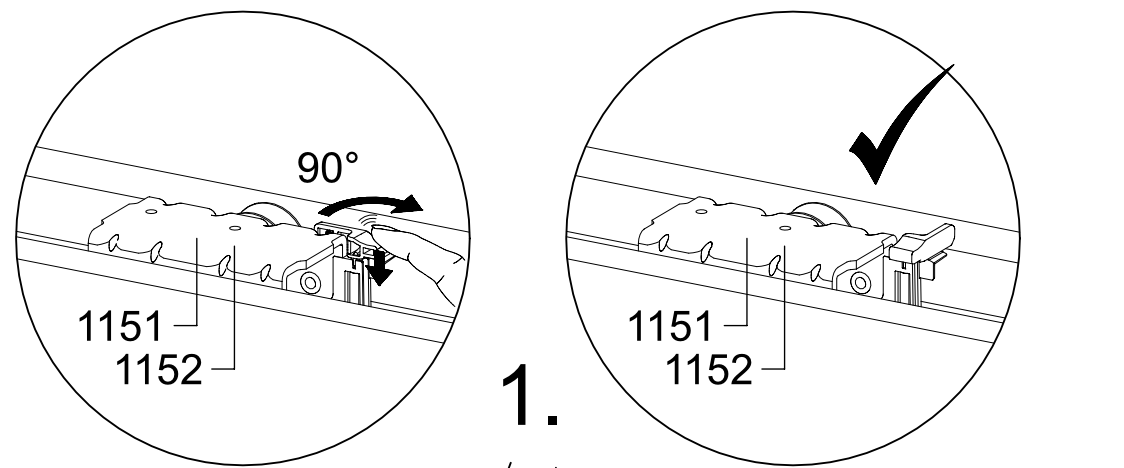




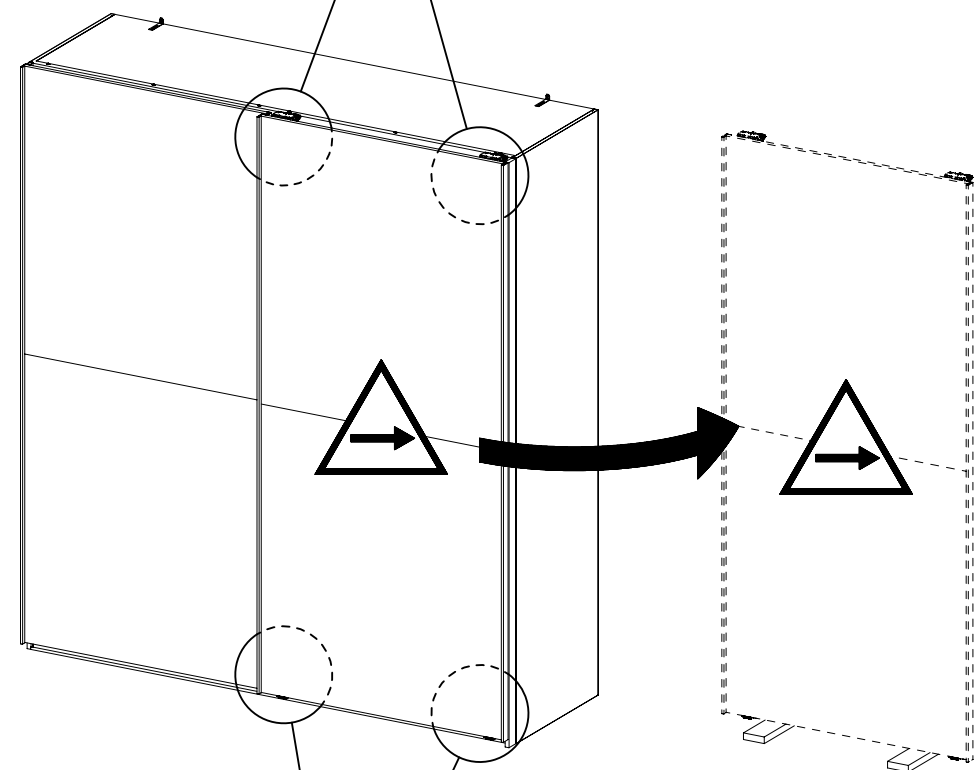


16

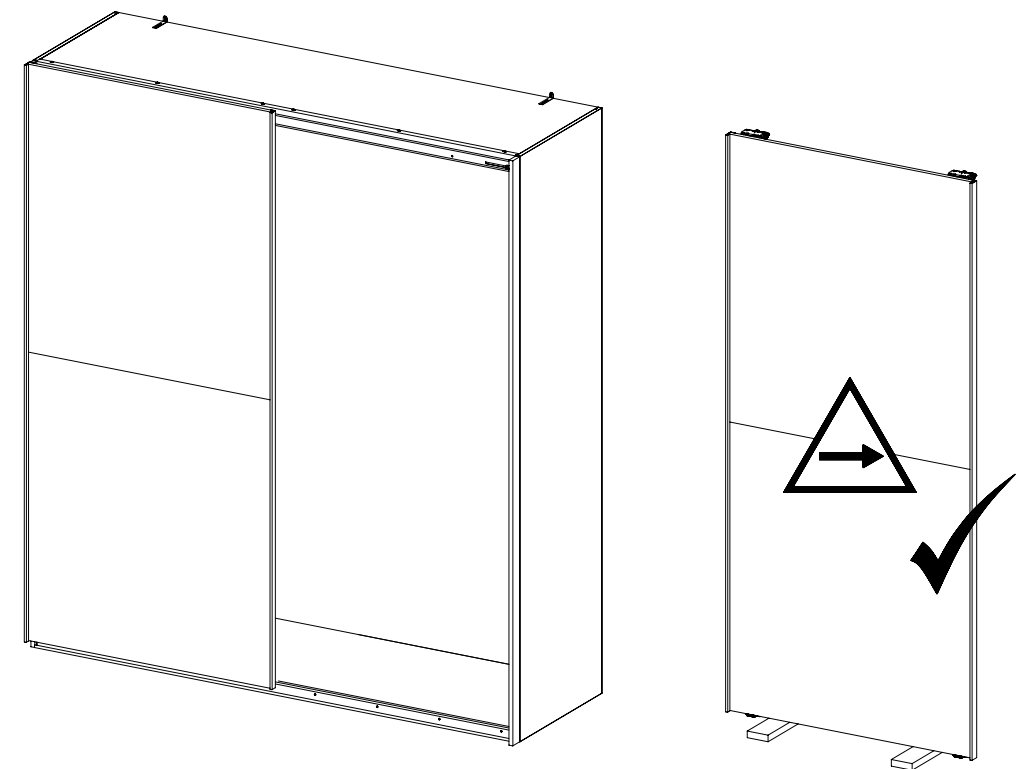
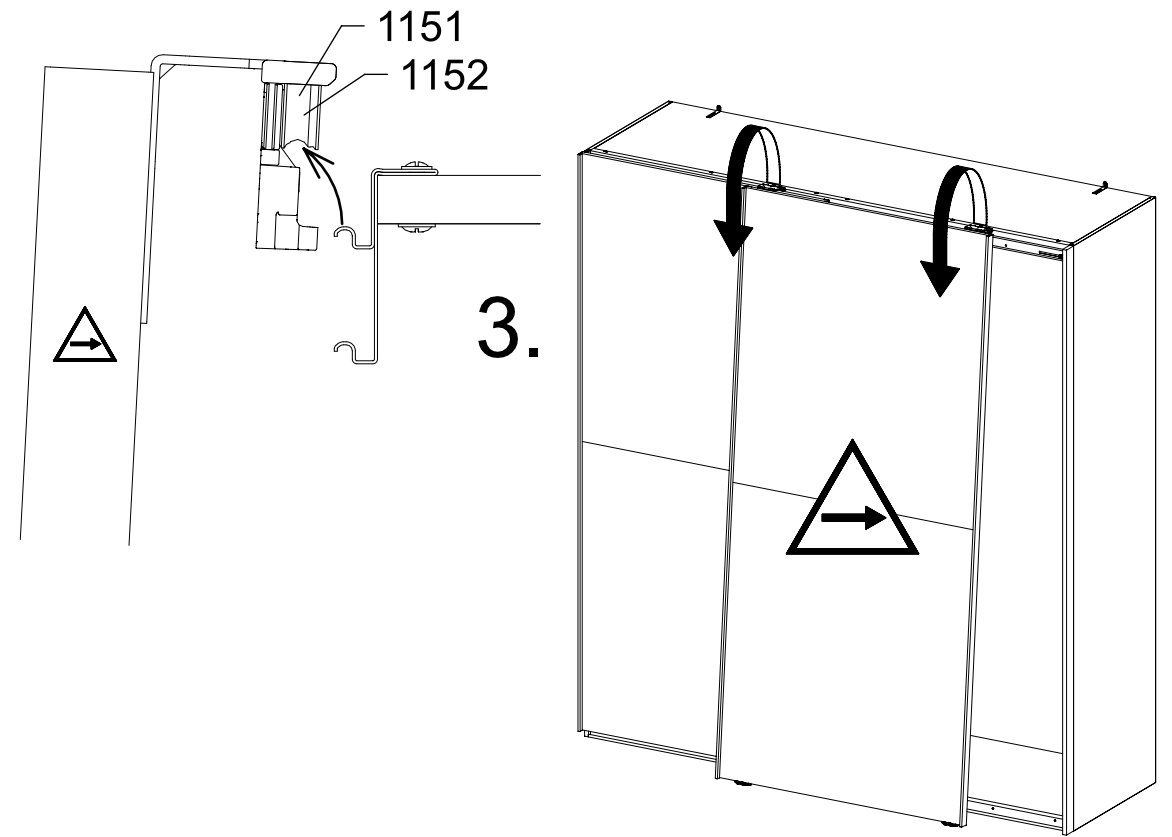
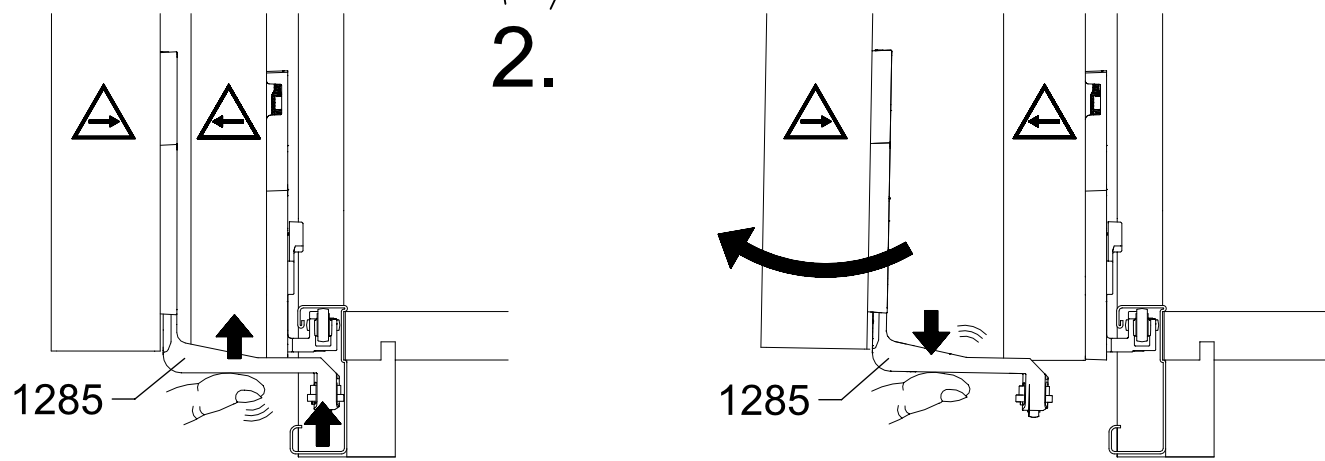




1.



2.



4.

