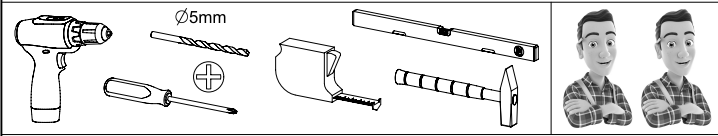
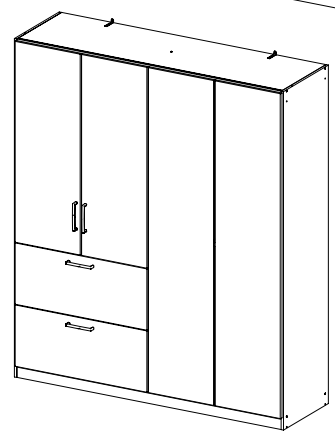
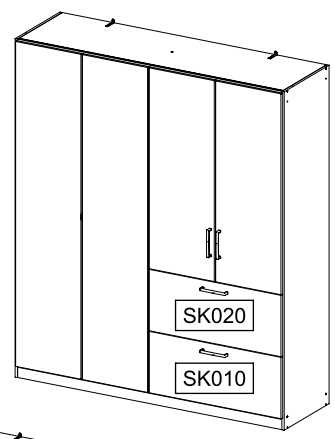
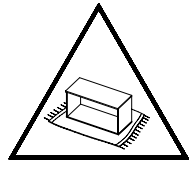


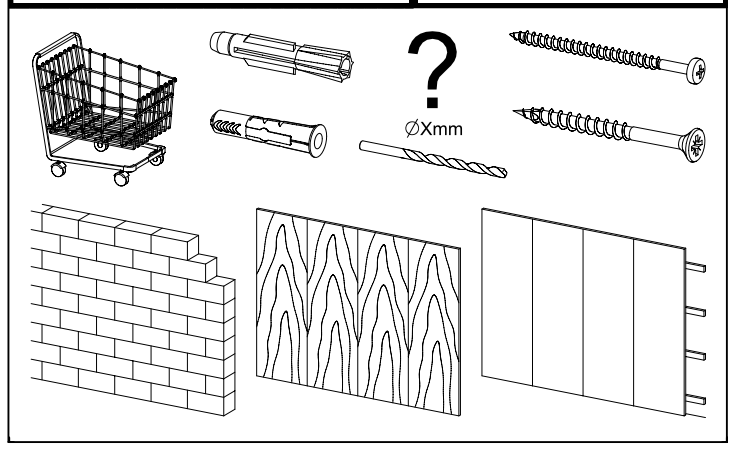
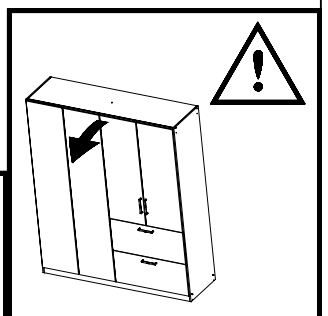
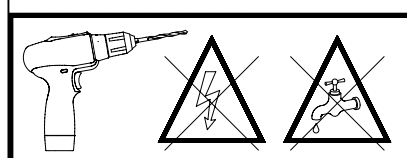
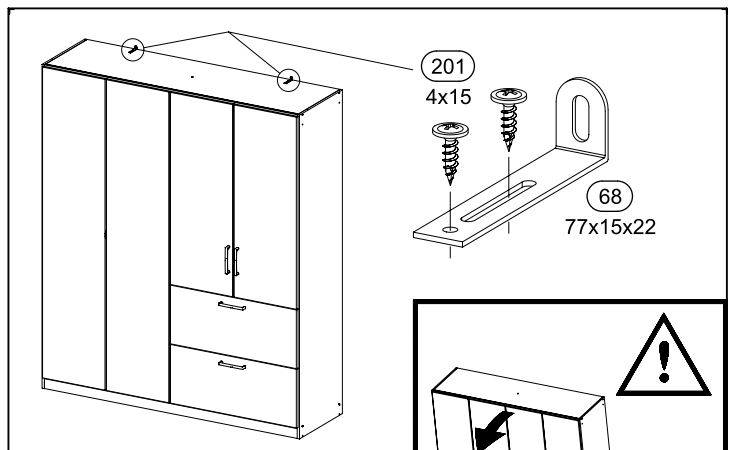
M2946_01



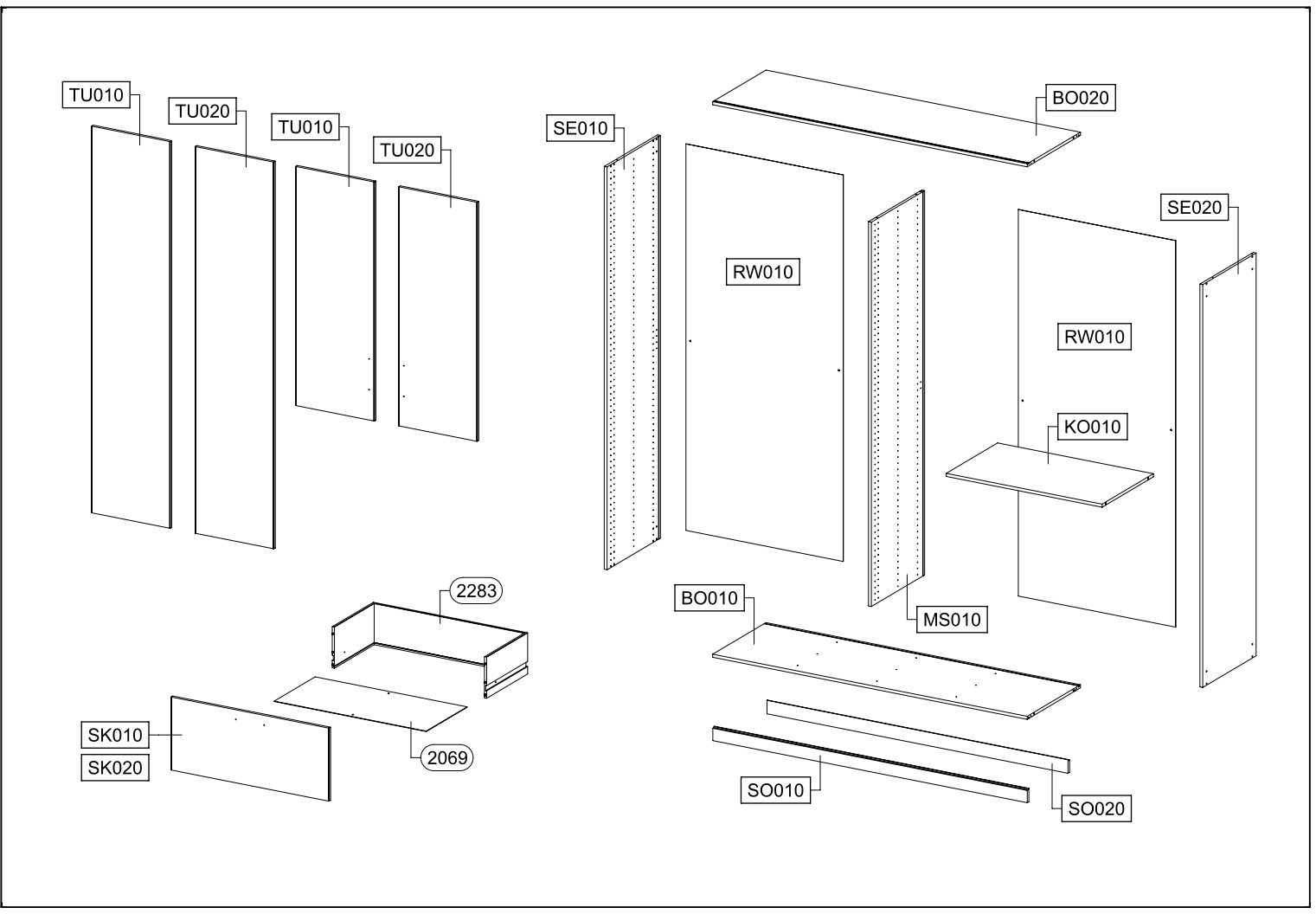
3-4h



M2946

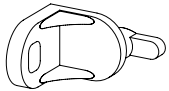
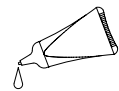
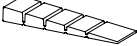
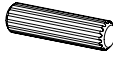
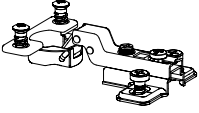



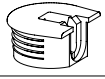
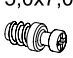
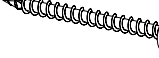

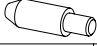
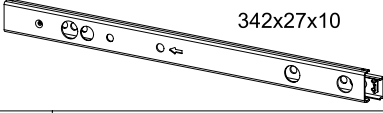


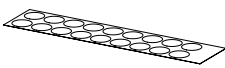
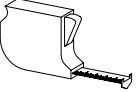
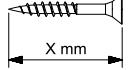
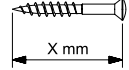
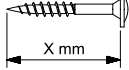


M2946





M2946

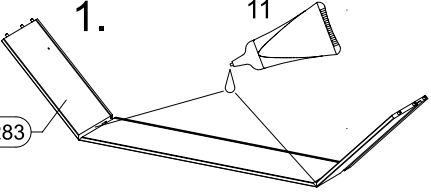
M2946

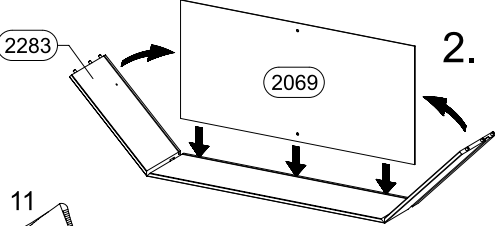
8x 1 	11 	2x 55x16x6,2 12 
8x 8x30 18 	10x 116 	4x 3,5x15 205 
8x 6,3x50 233 	4x 4x15 201 	4x 274 
4x 5,0x7,0 249 	1x 4,5x50 296 	8x 6x8 534 
4x 807 	4x 1396 	
4x M4x9 568 	4x 6,5x12 779 	1x RE010 
   		

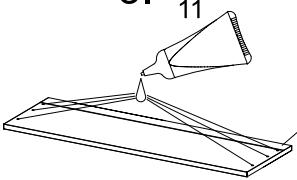
M2946

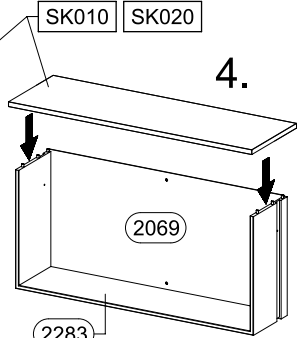
2
11


VIDEO 

1. 

2. 

3. 

4. 

SK010 SK020

2069


2283


Xmm = Xmm

Xmm Xmm

20 Min

M2946

1
11


VIDEO 

SO010 SO020

SO010 SO020

SO010 SO020


SO010 SO020

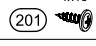
SO010 SO020

BO010

20 Min

M2946

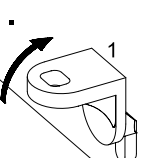
3
4x 1


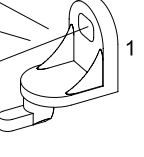
4x 201
4x15


2283

2069

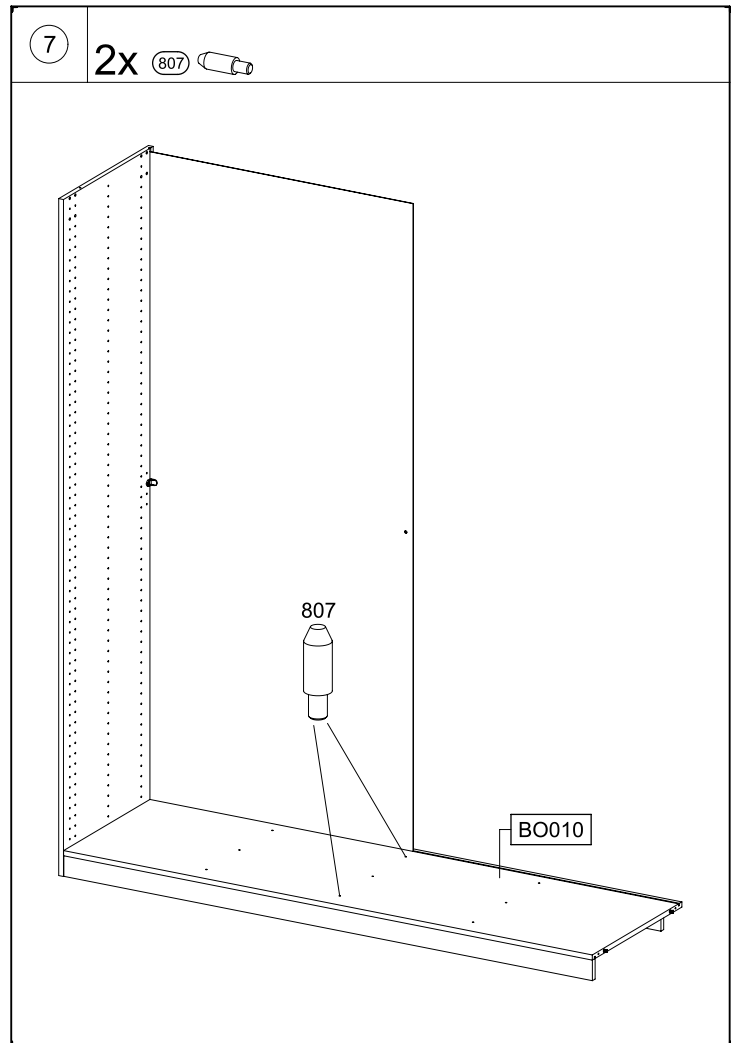
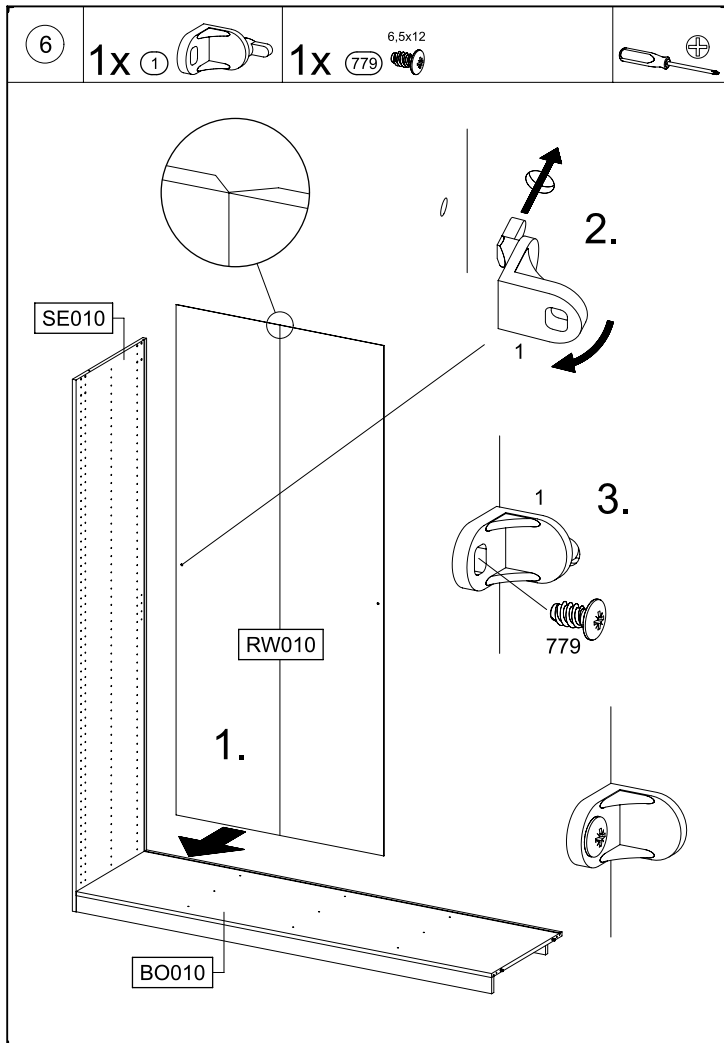
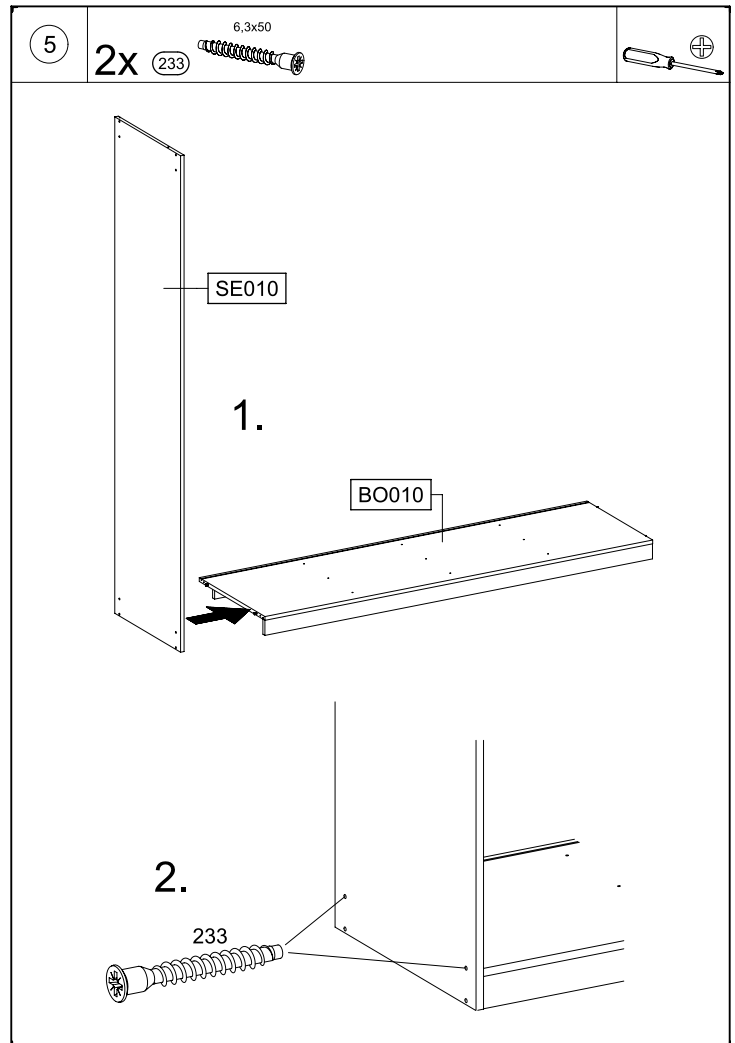
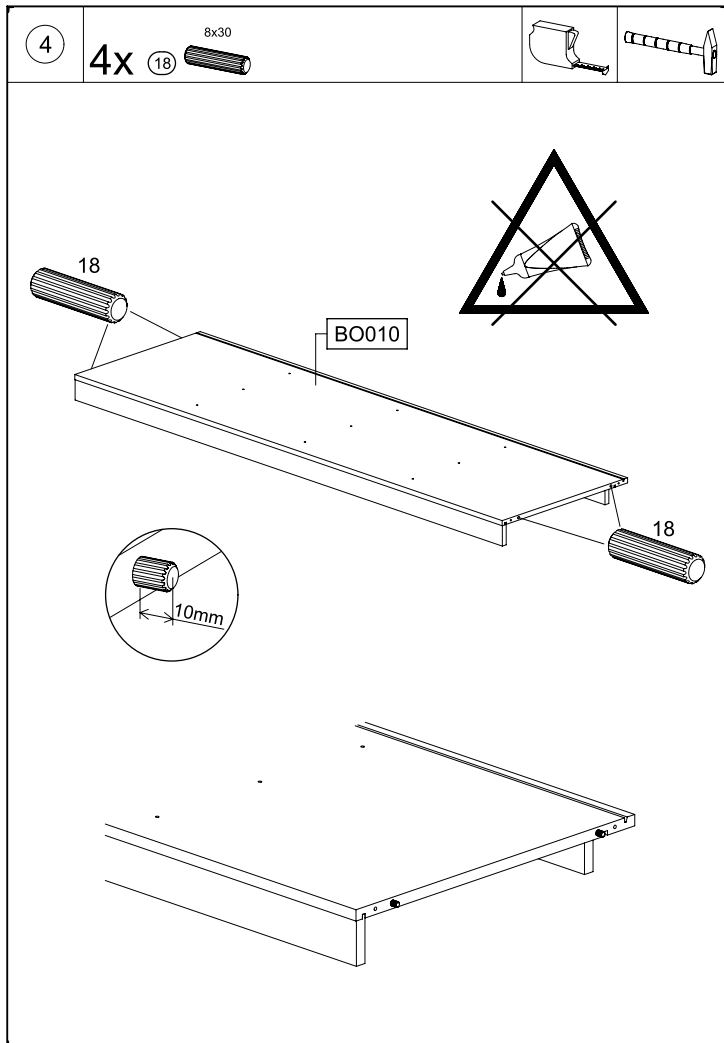
SK010 SK020

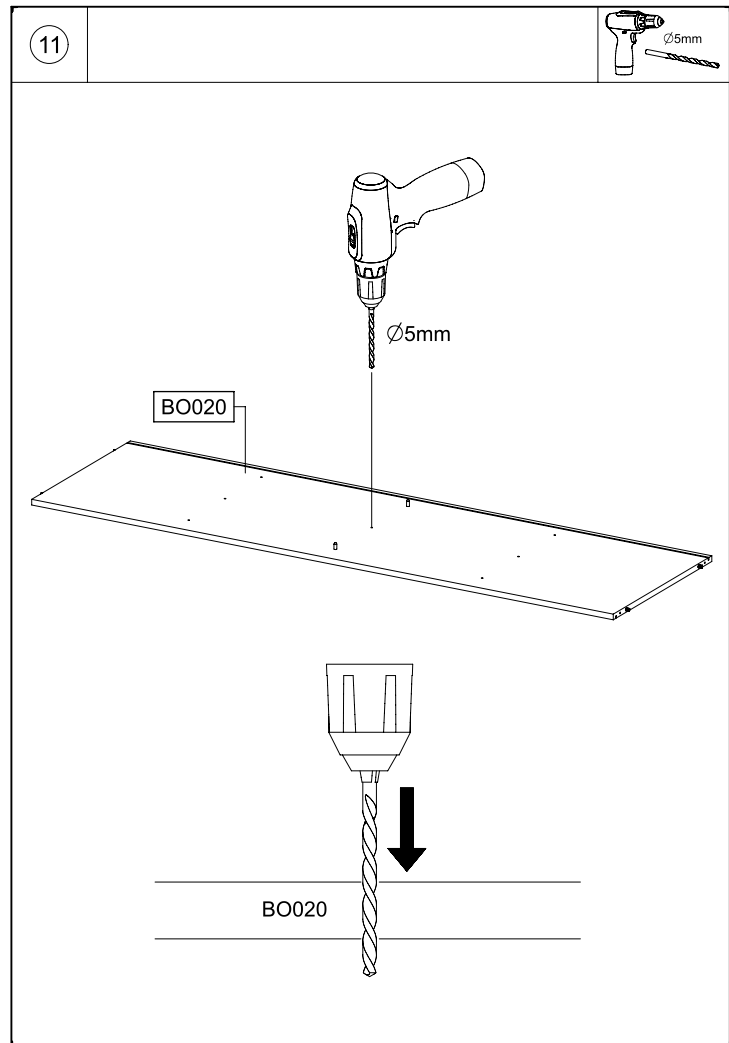
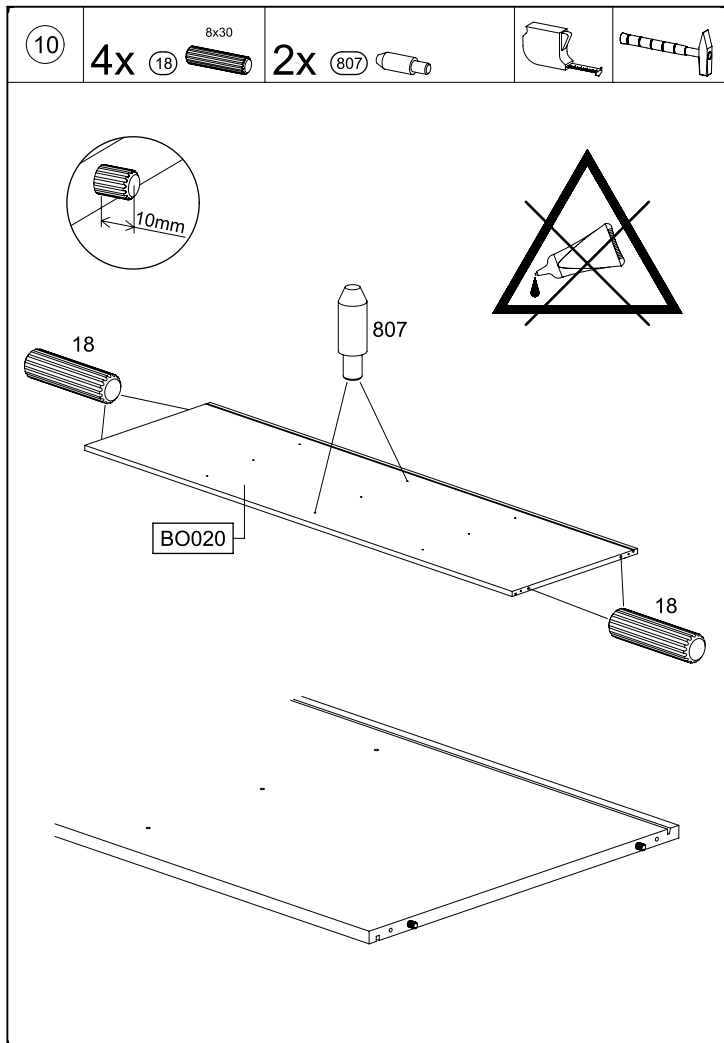
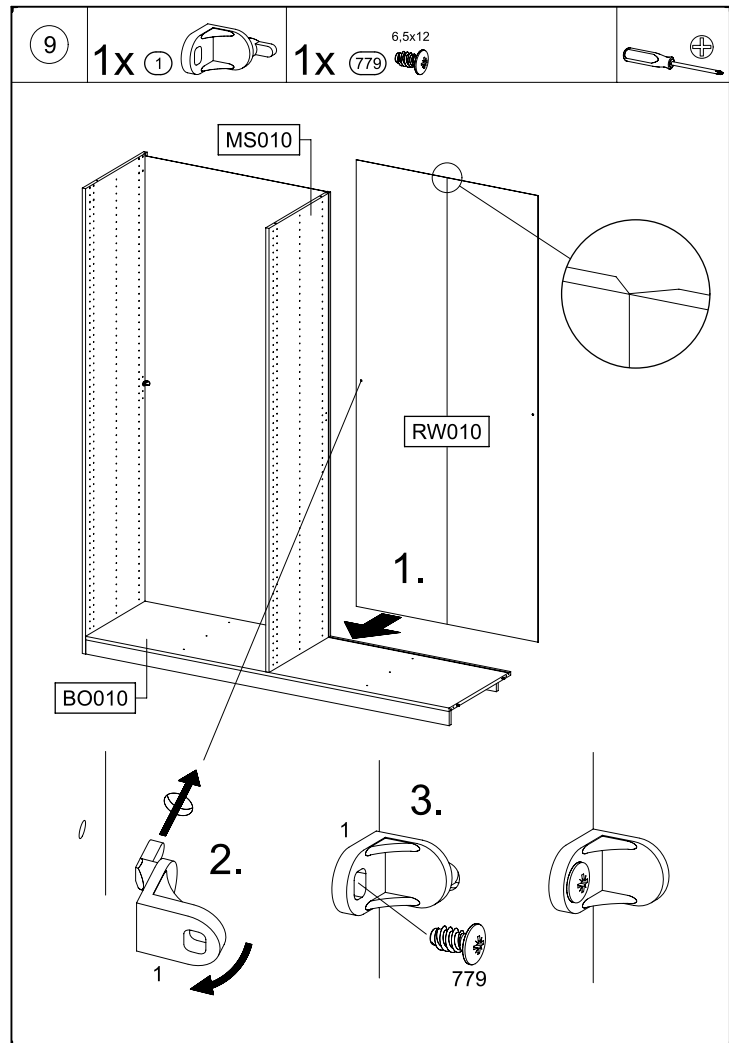
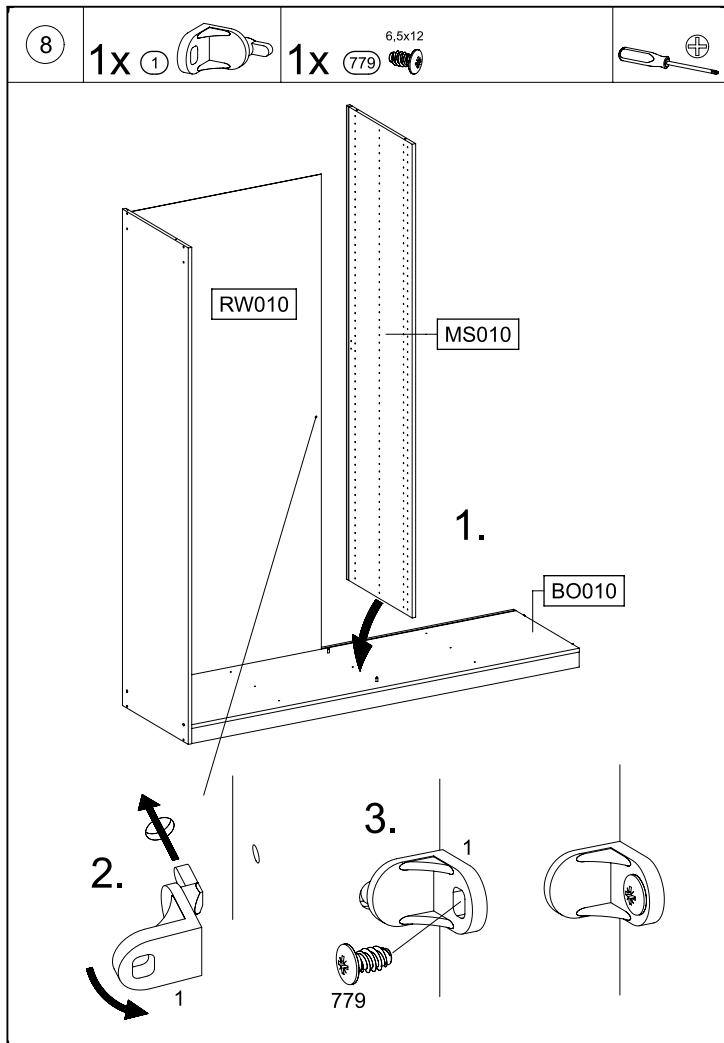
1. 

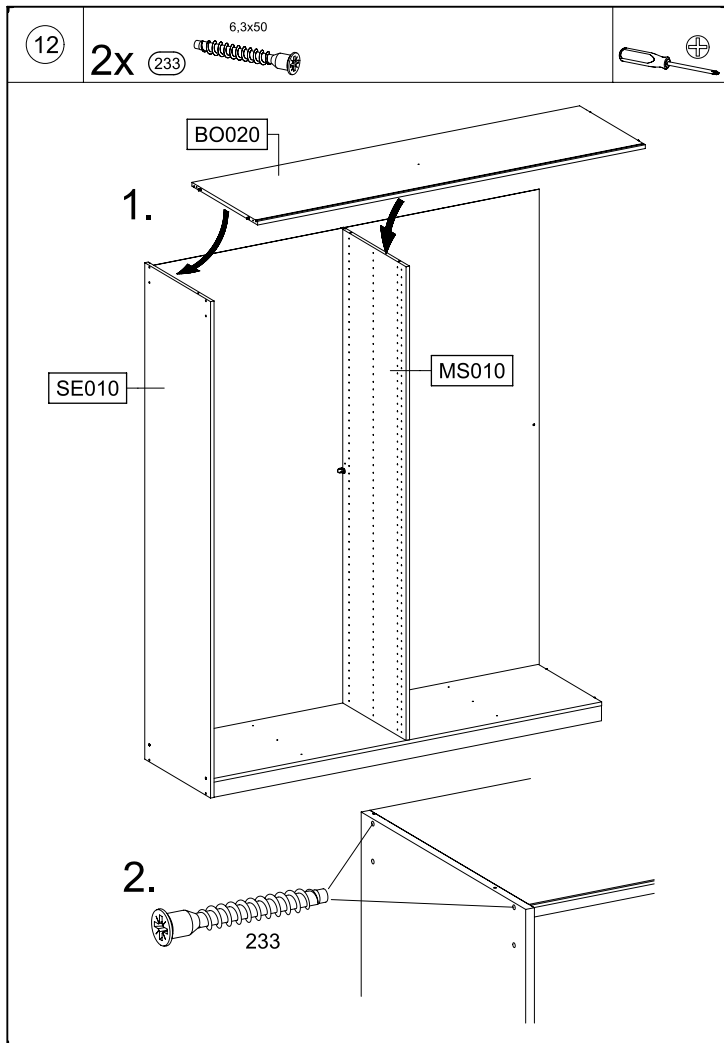
2. 

201

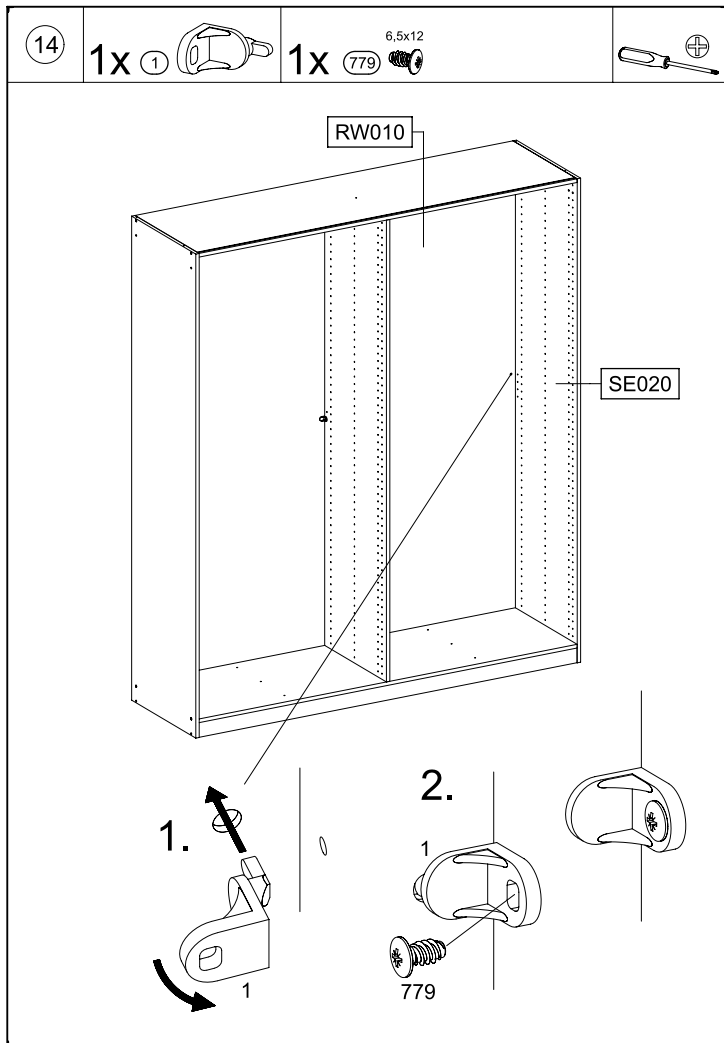
M2946



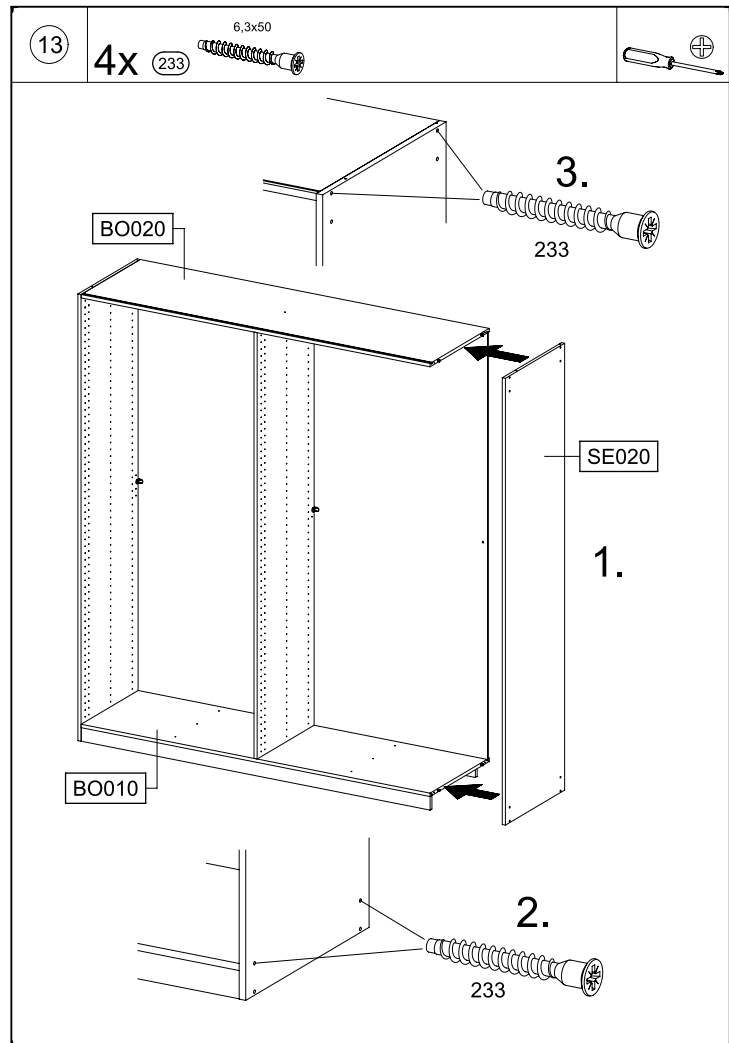




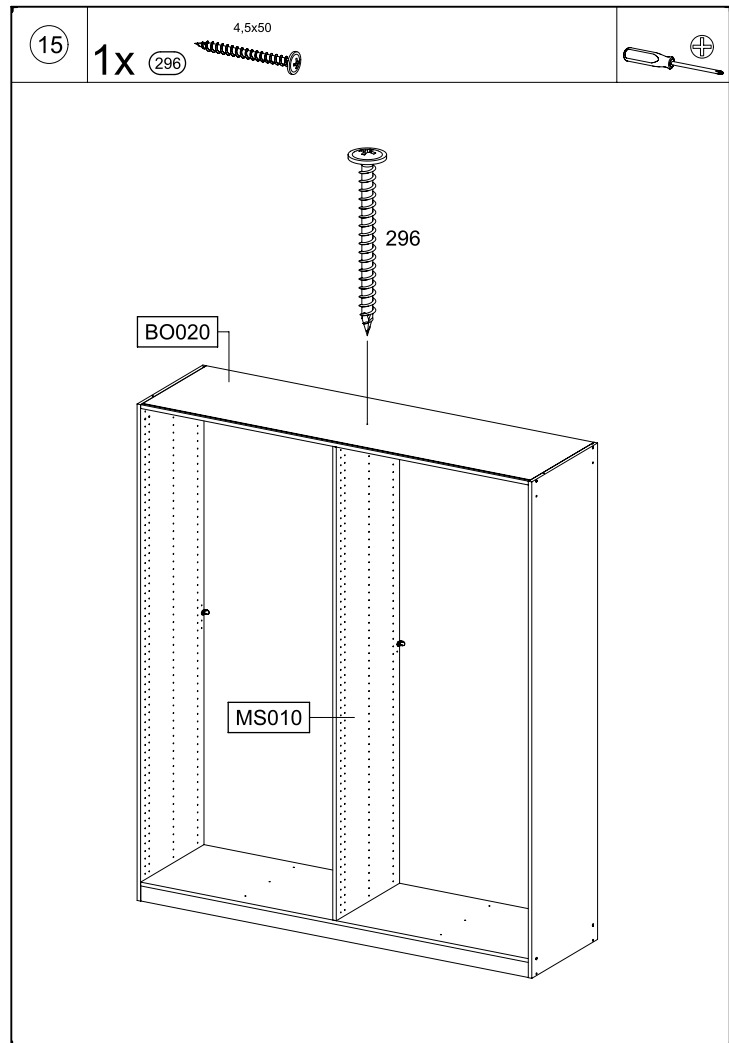
M2946



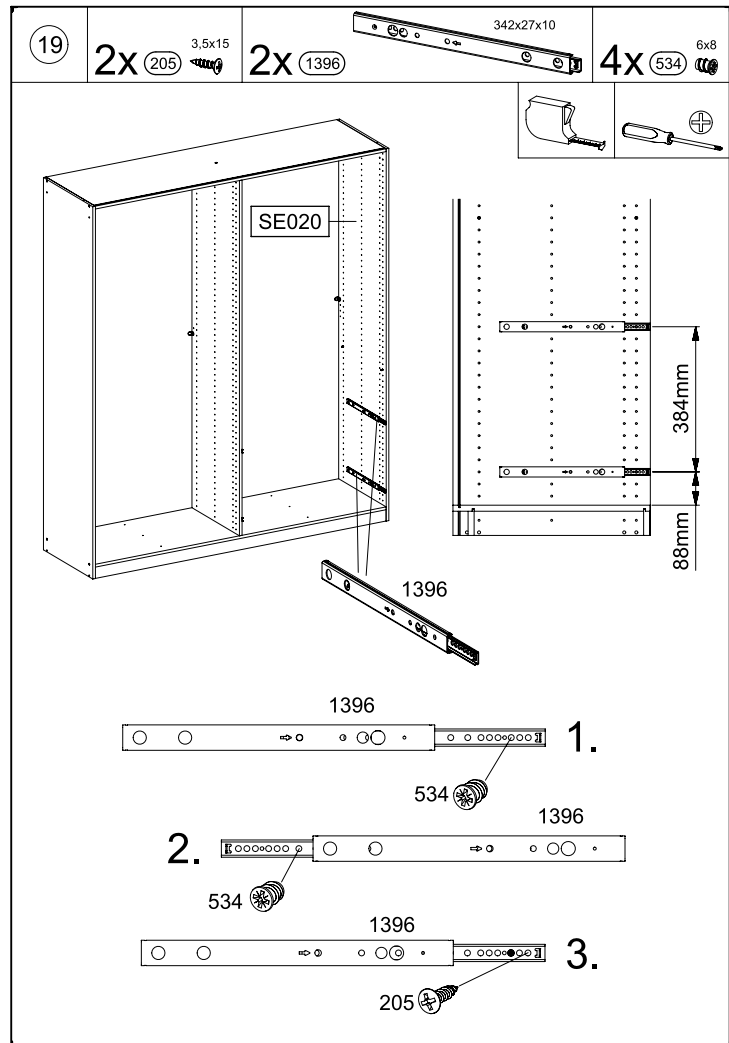
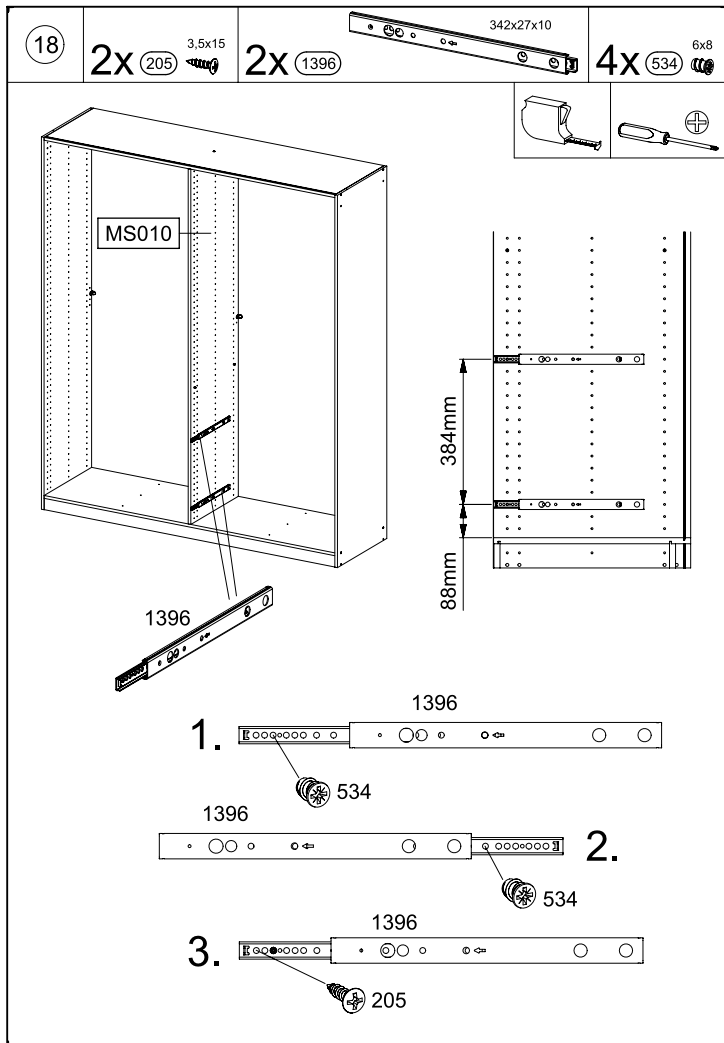
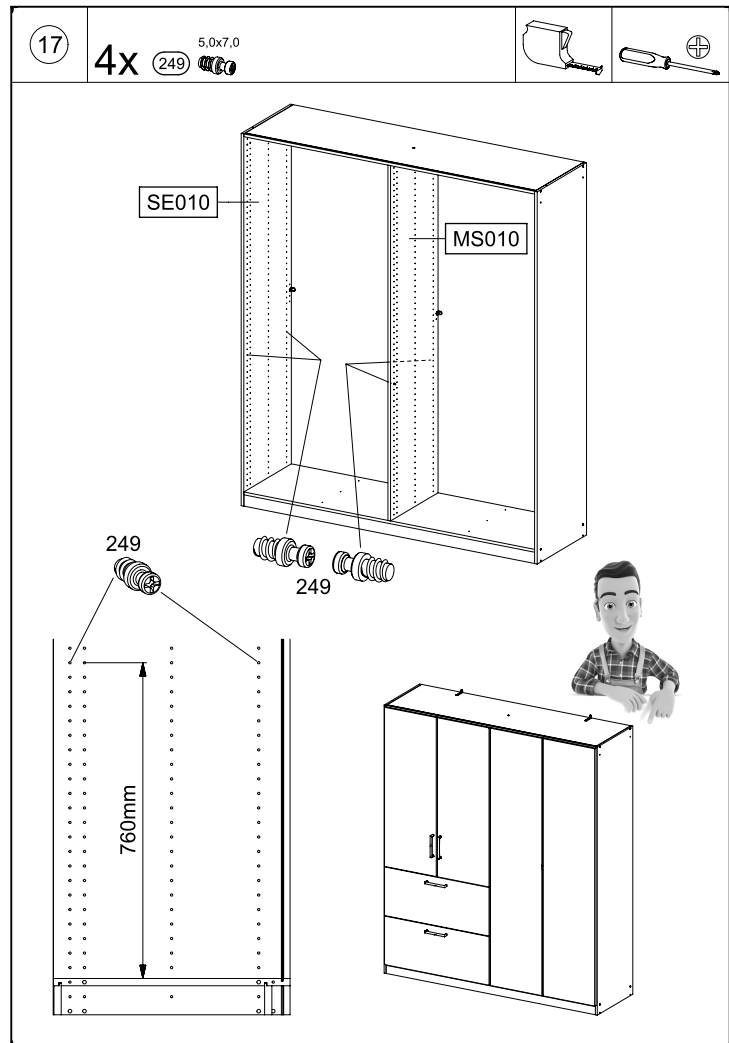
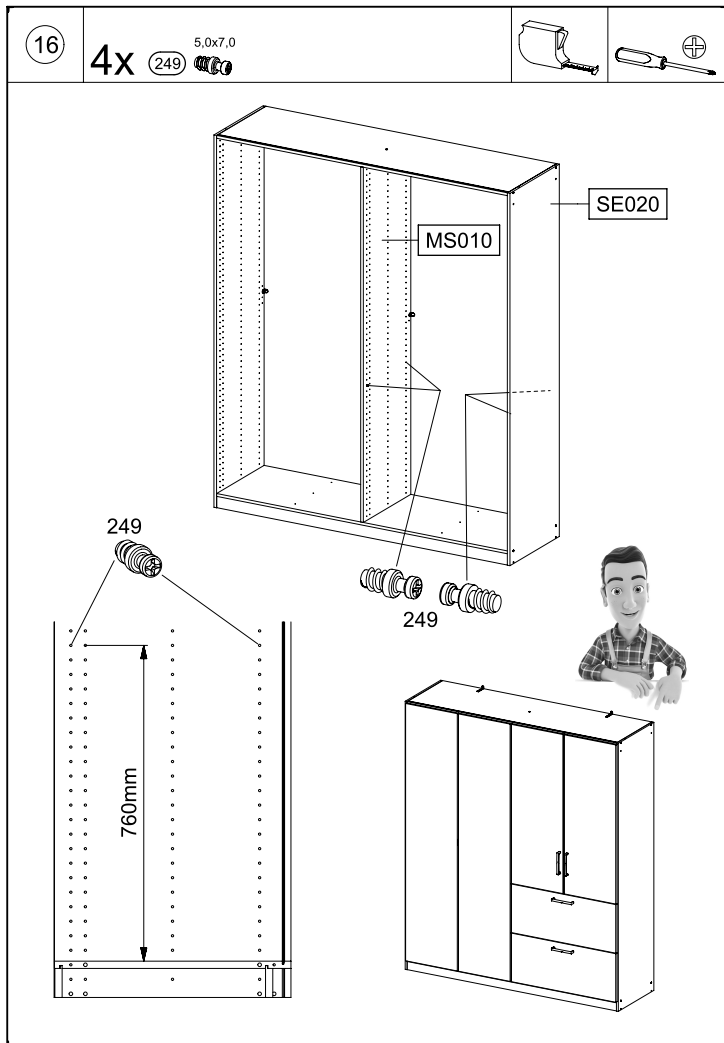
M2946

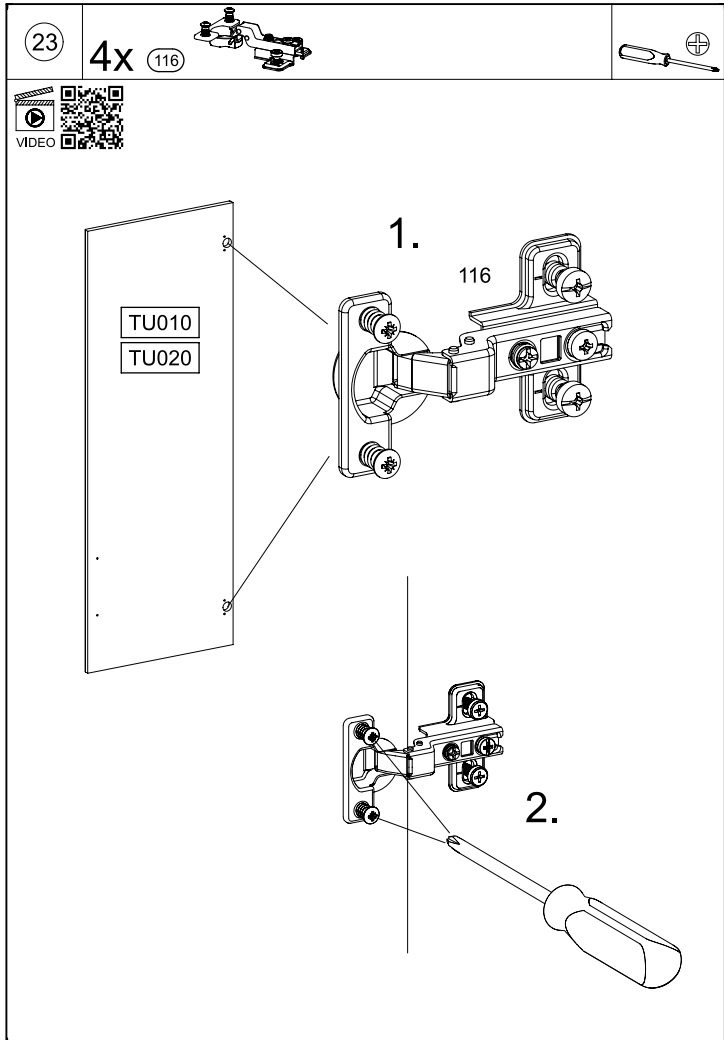
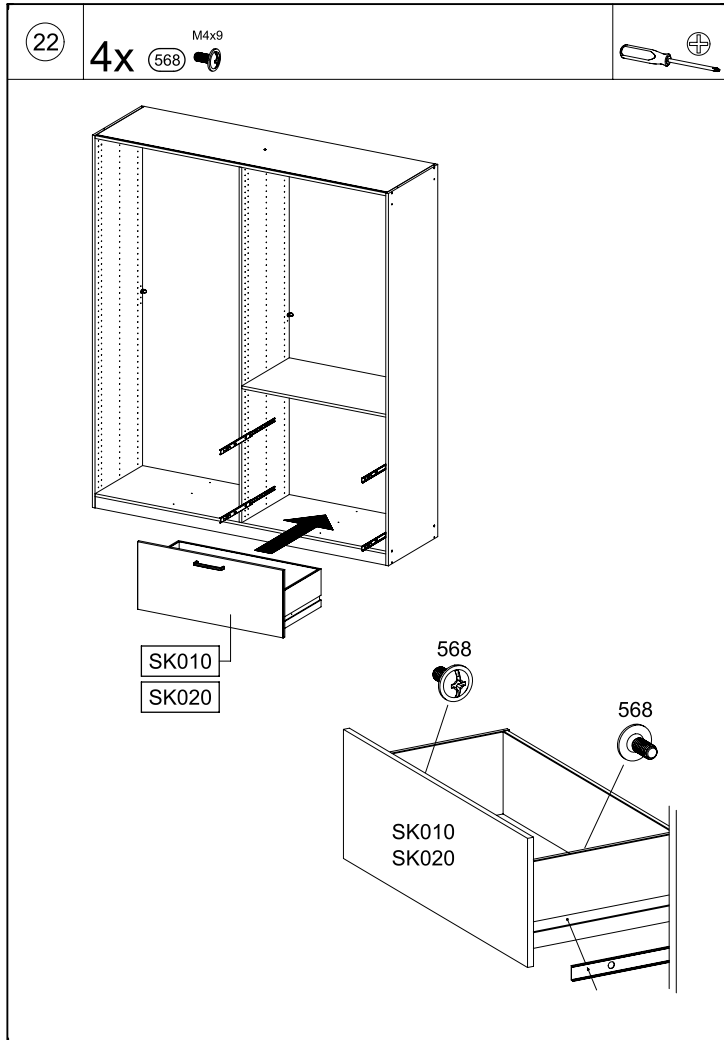
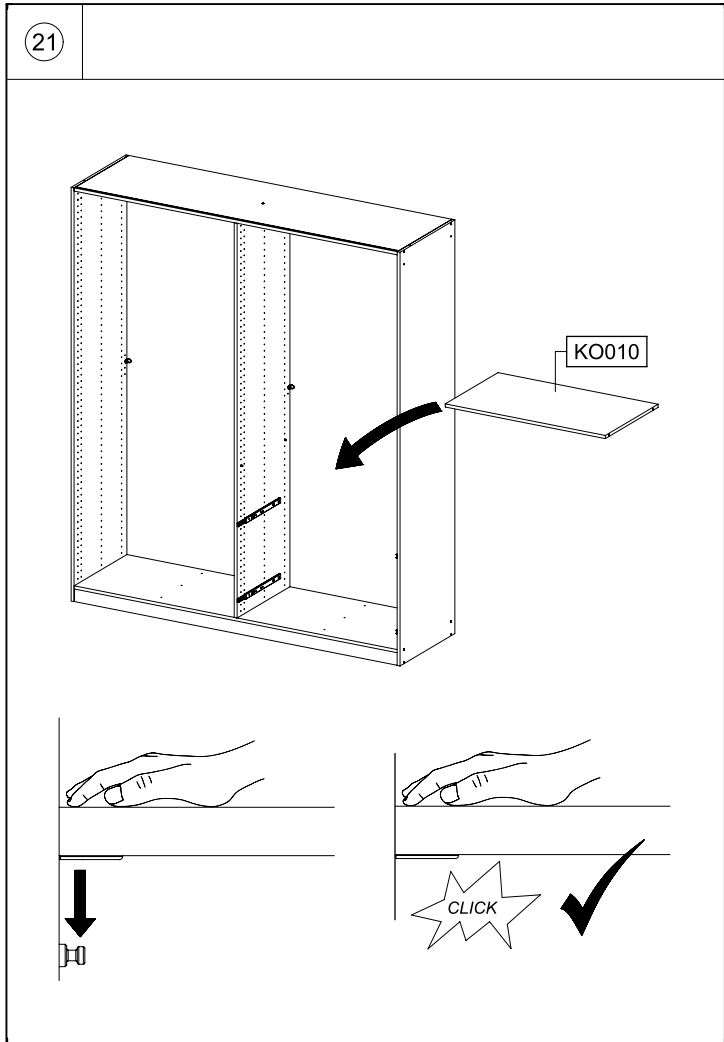
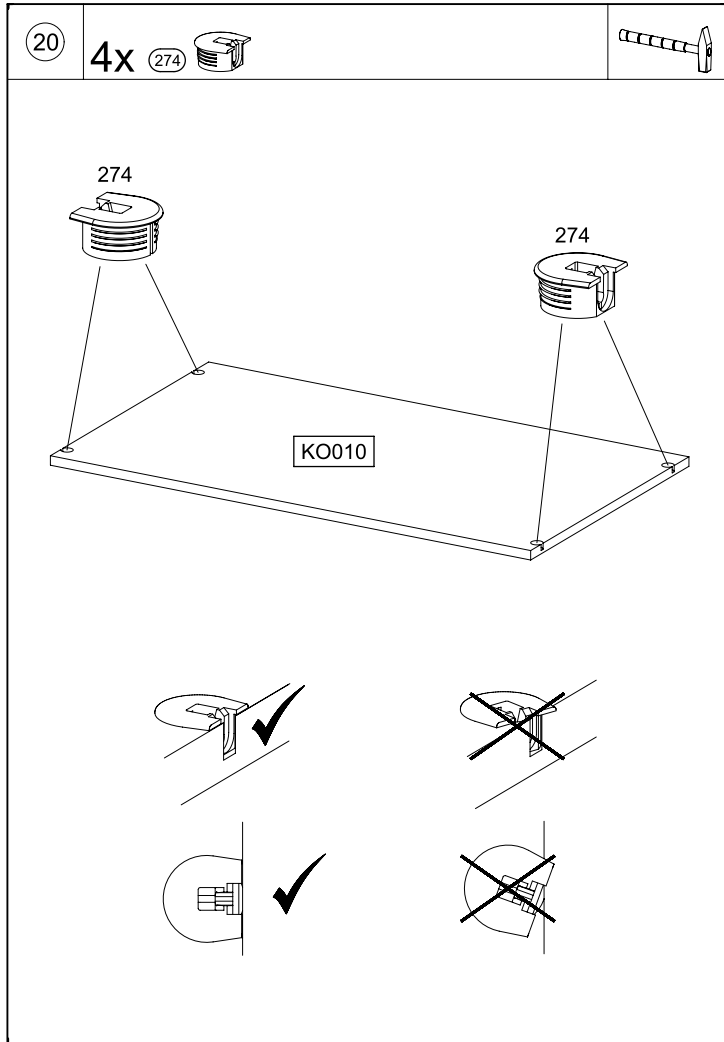


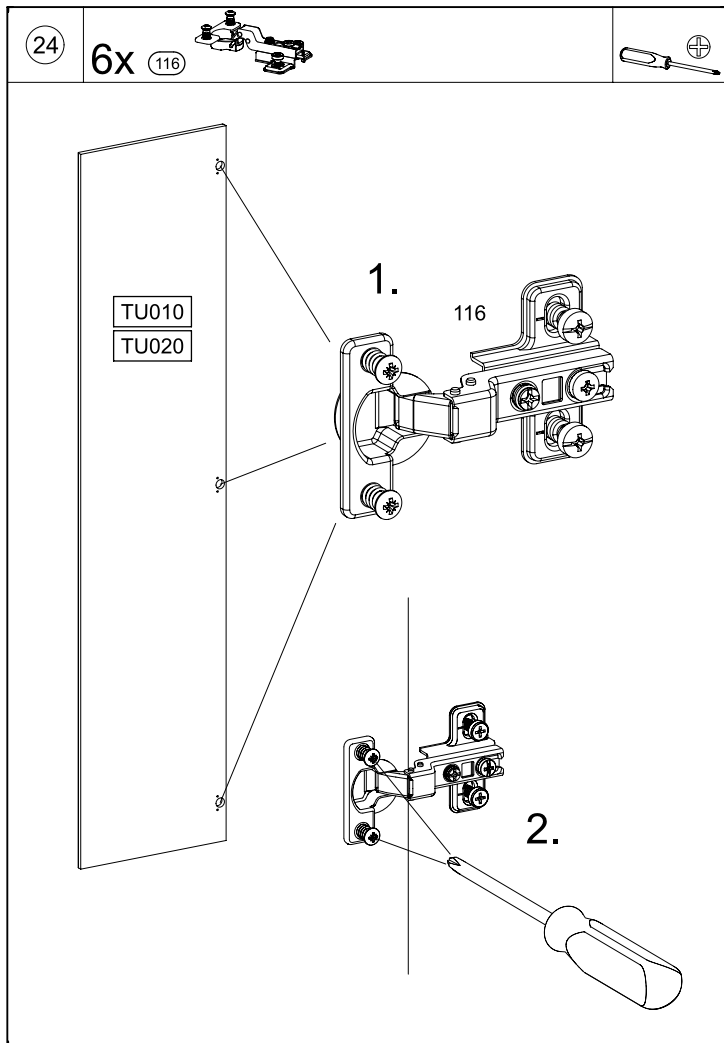
M2946



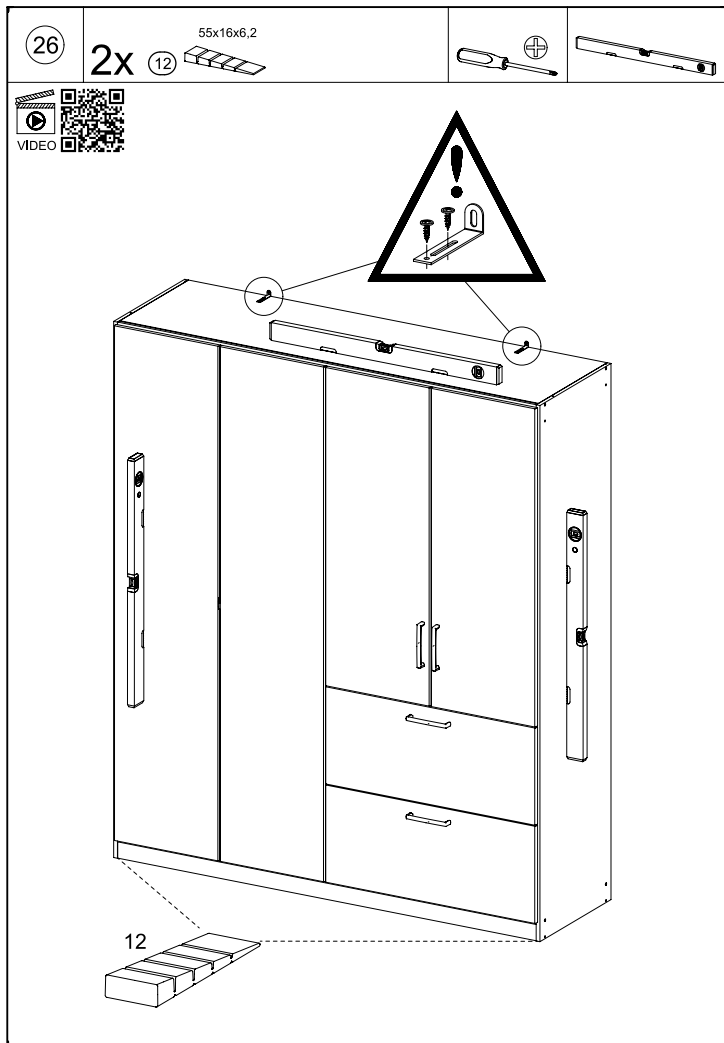
M2946



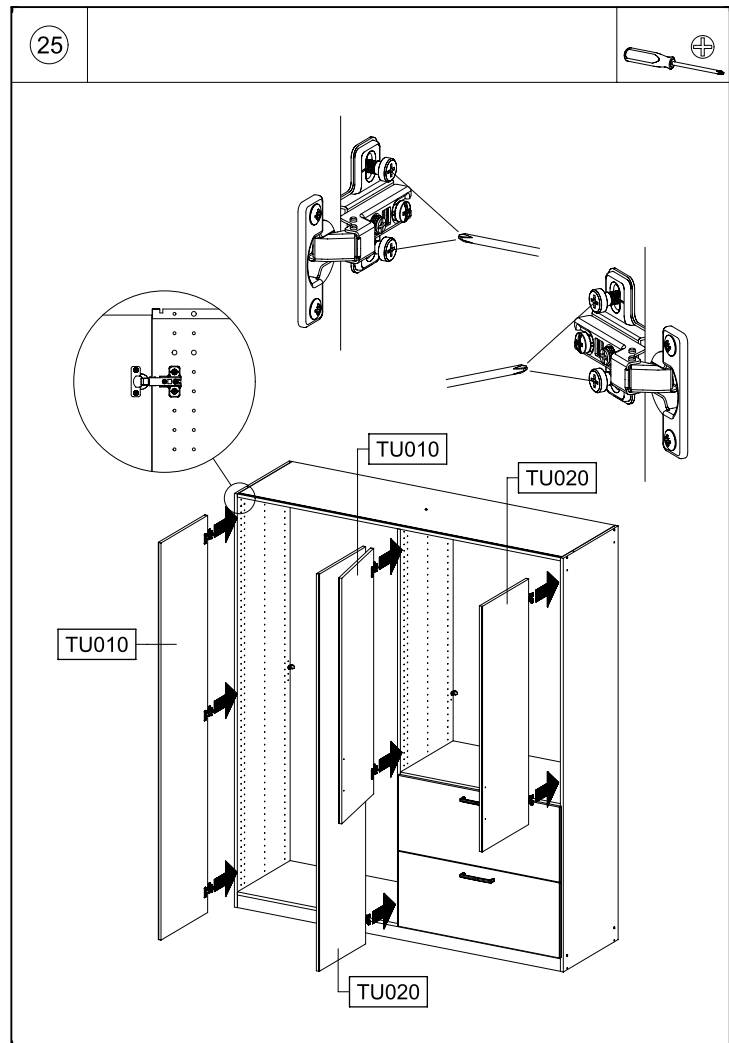




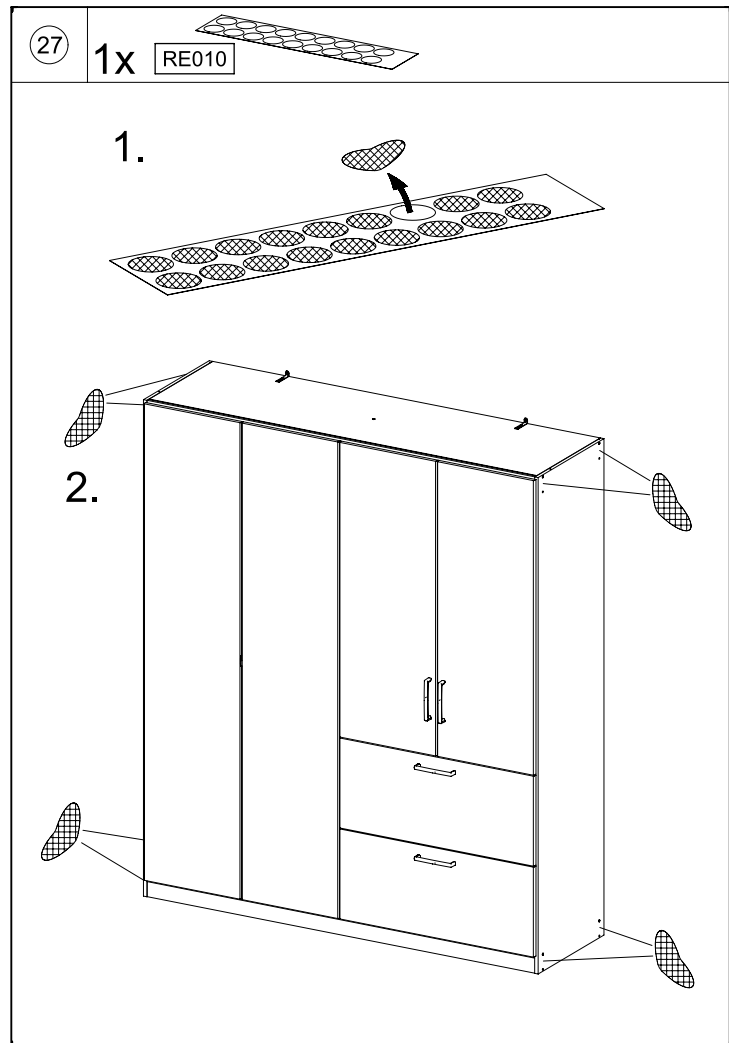
M2946



M2946



M2946



M2946

