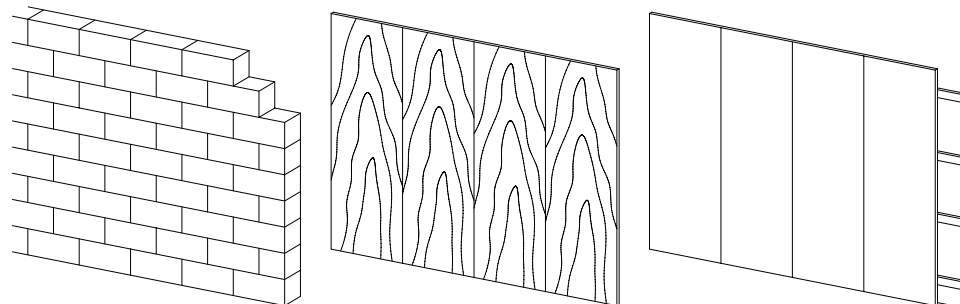
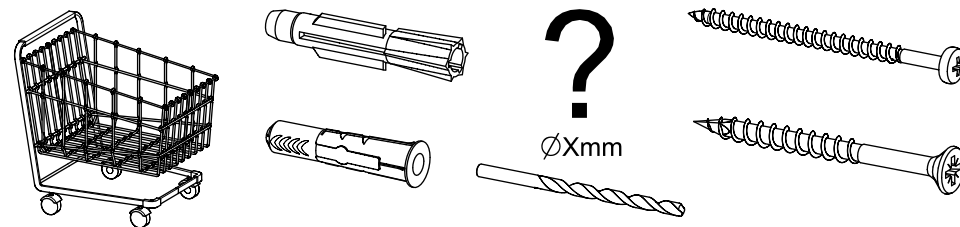
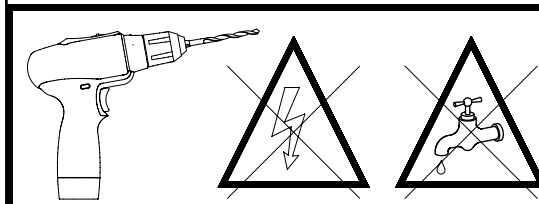
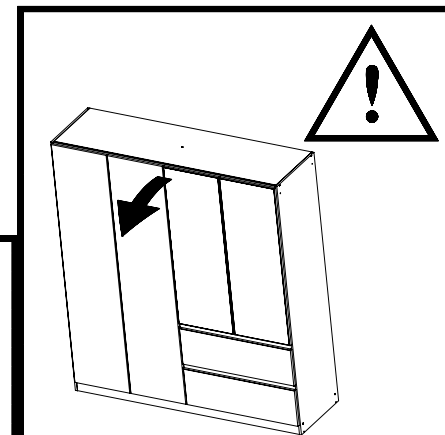
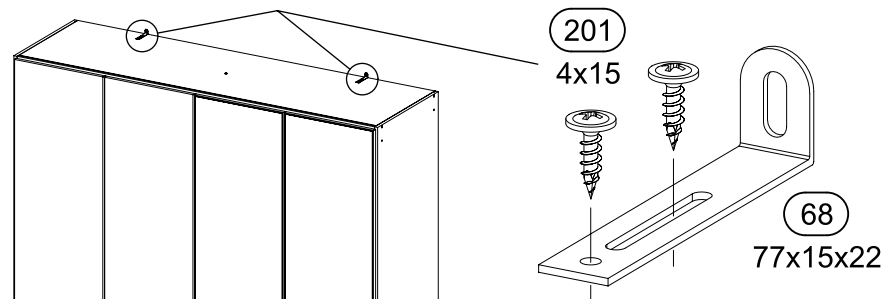
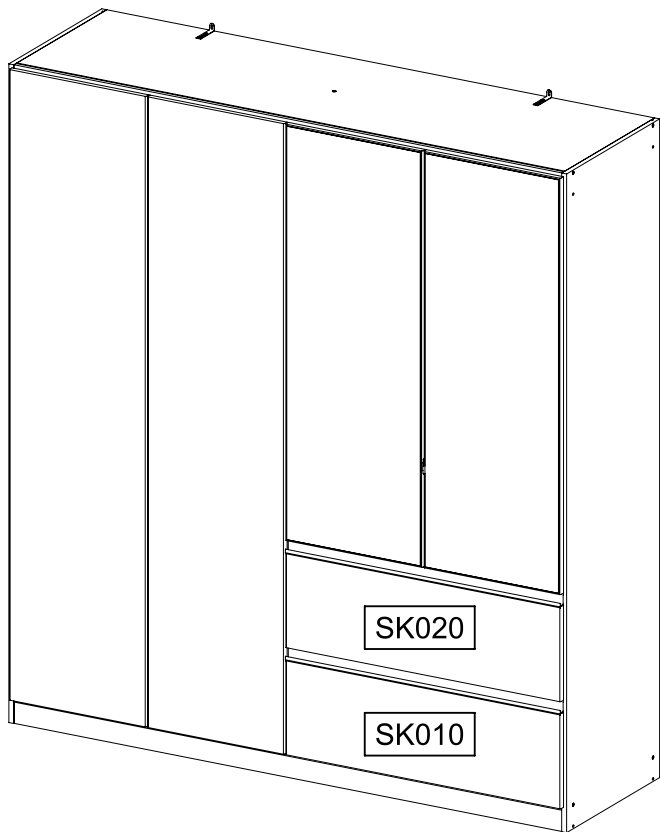
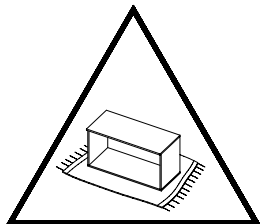
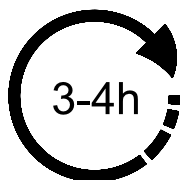
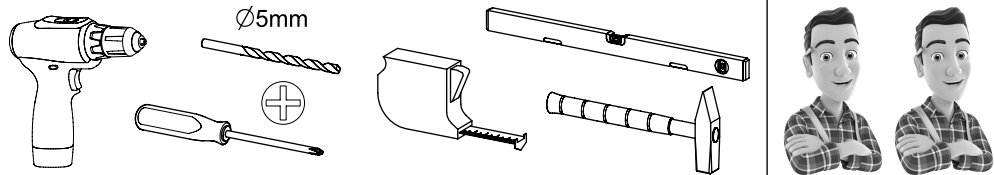
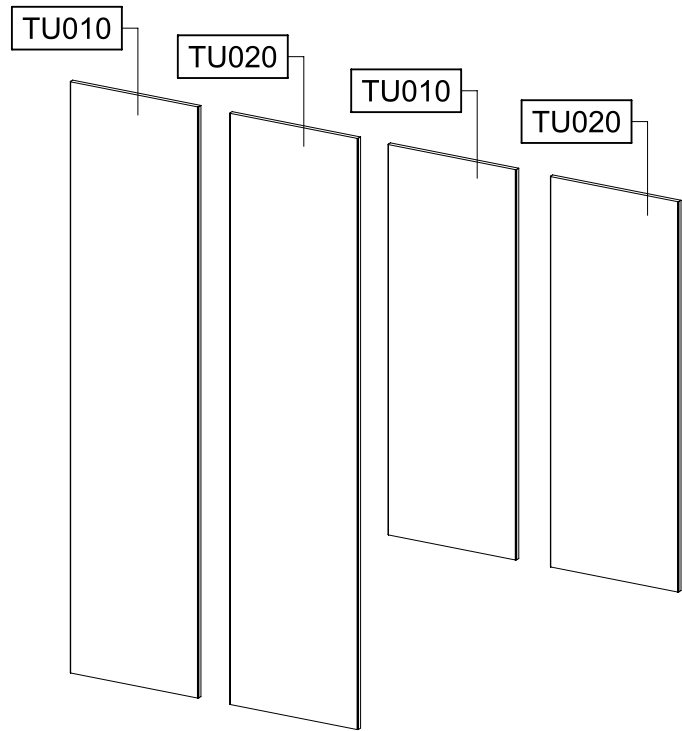
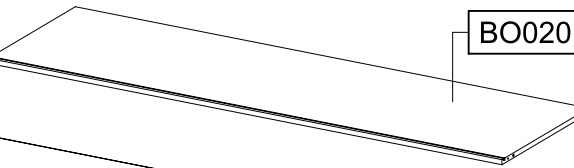
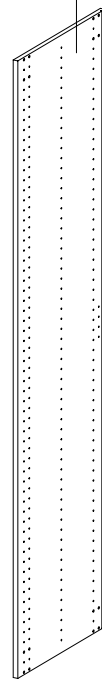


M2918_02

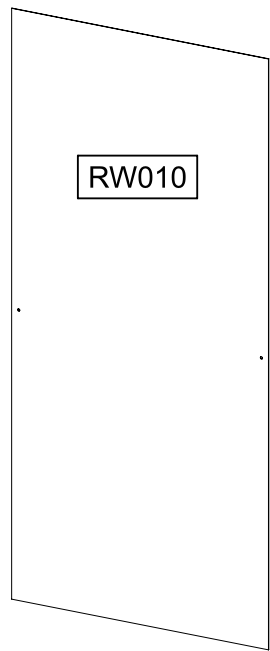




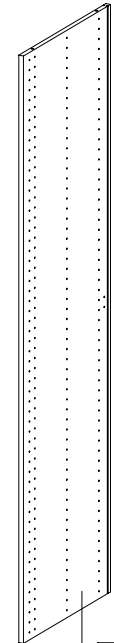
SE010



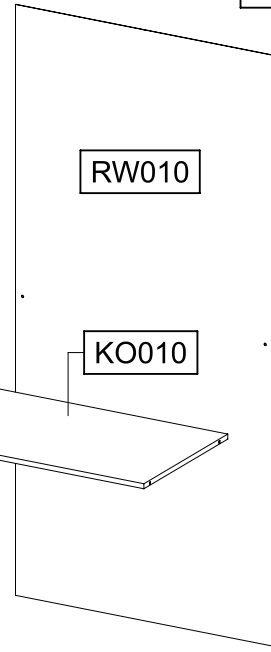
BO020



RW010



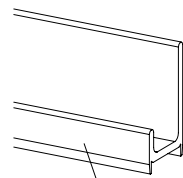
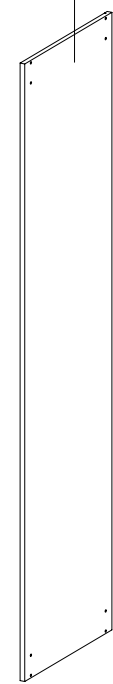
MS010



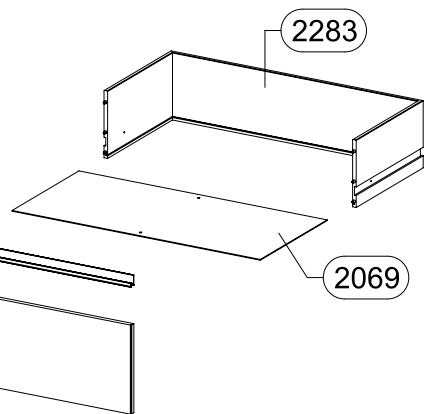
RW010

KO010

SE020



GR010



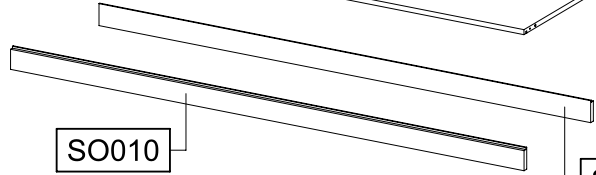
2283

2069

SK010

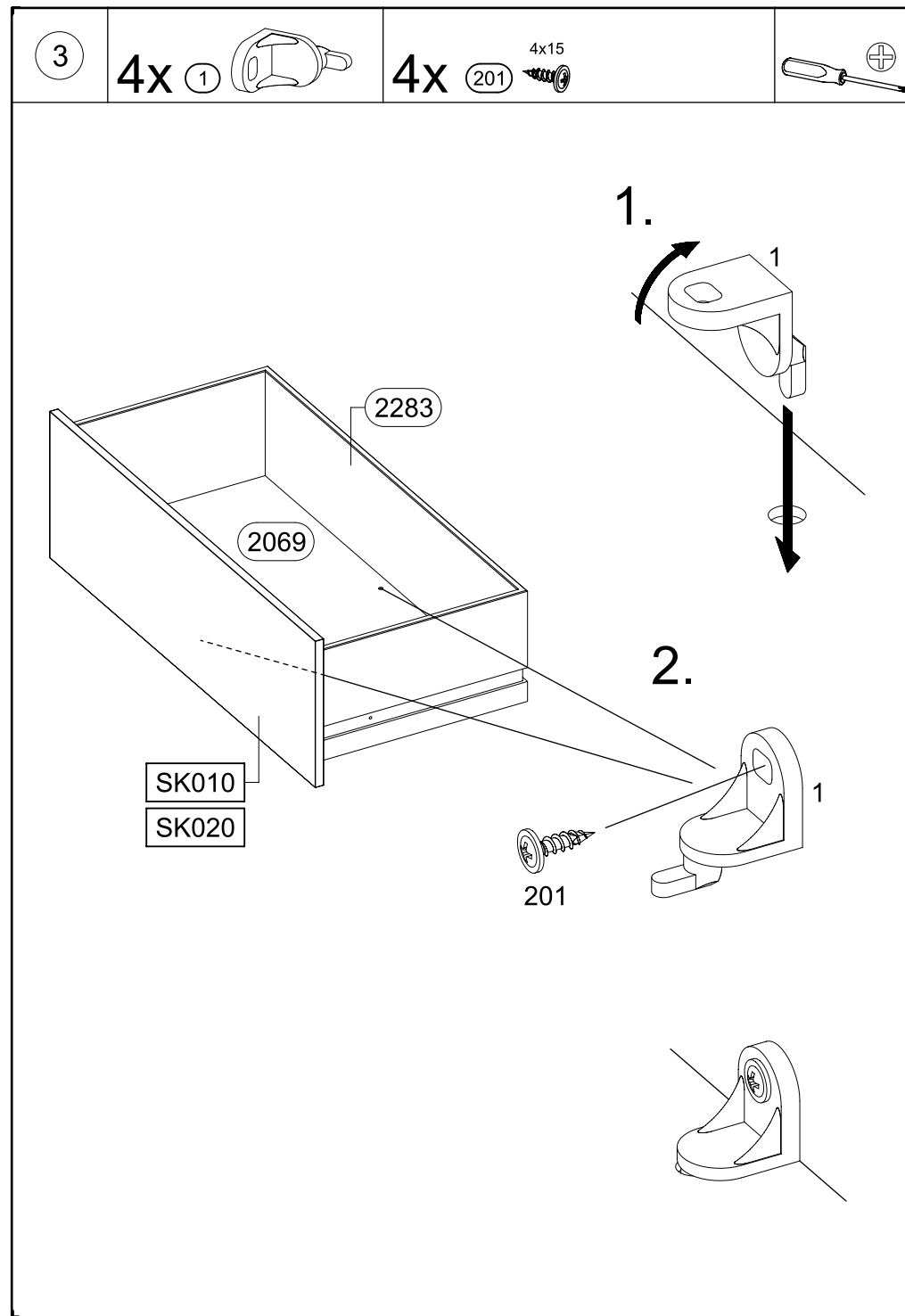
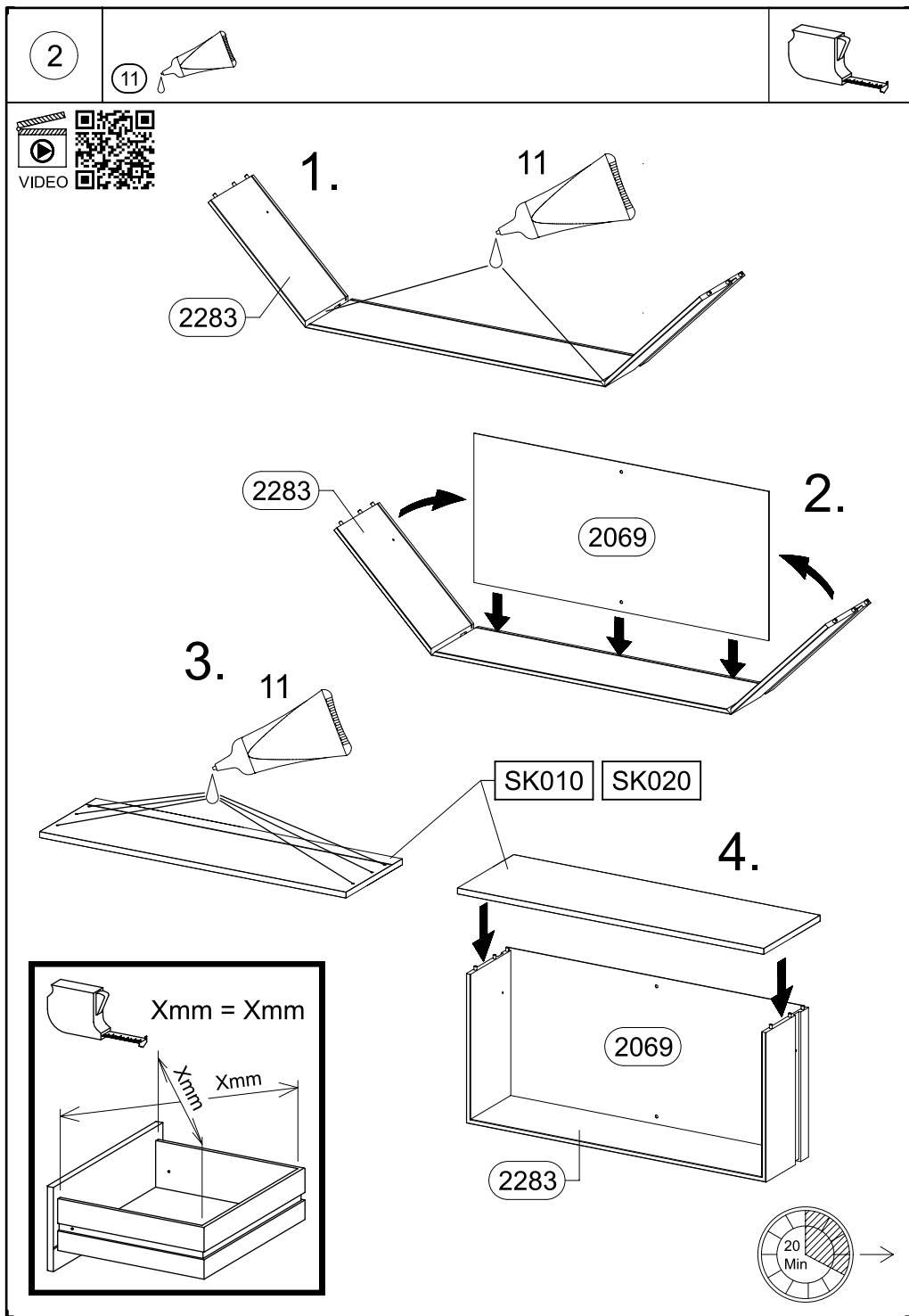
SK020

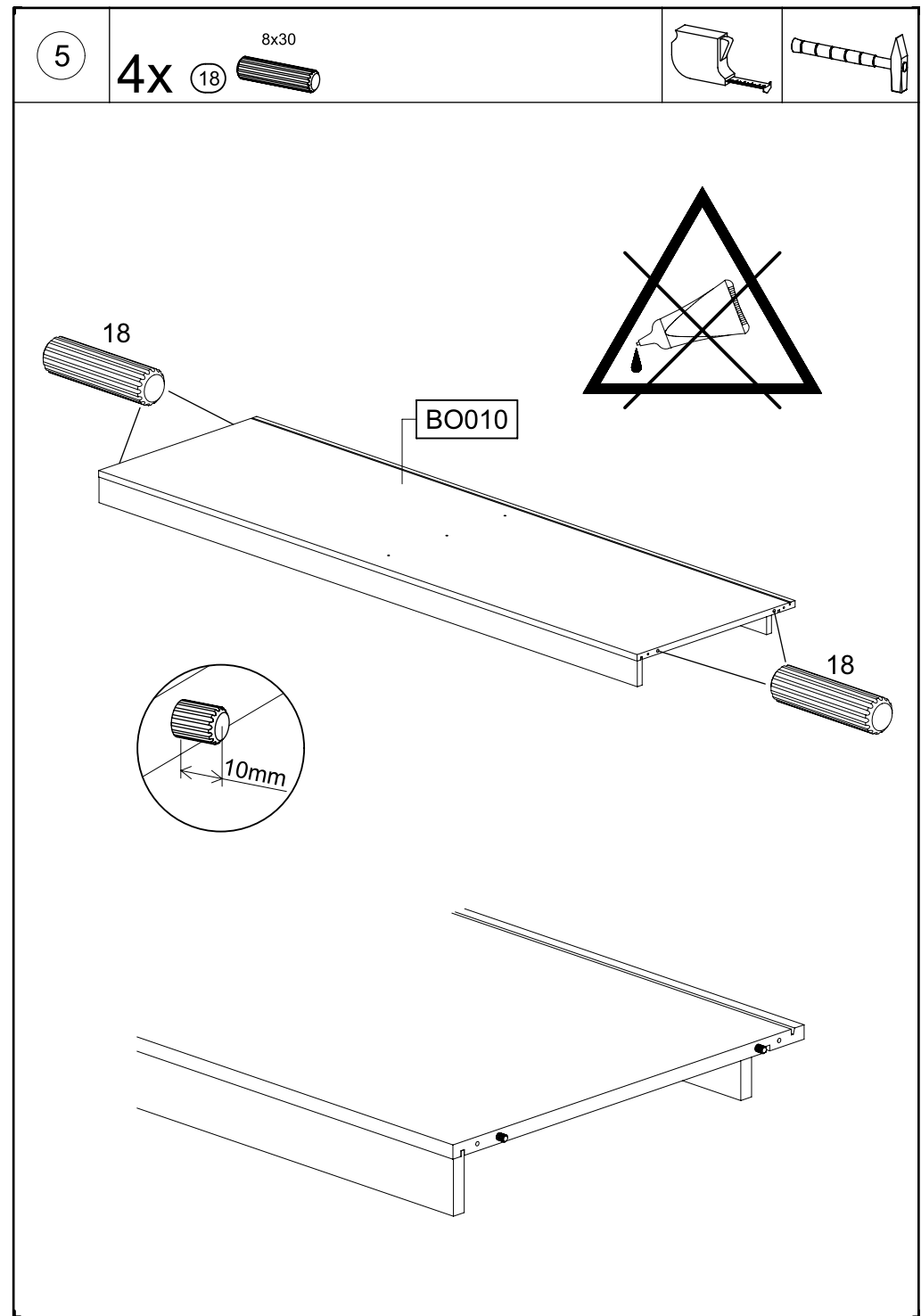
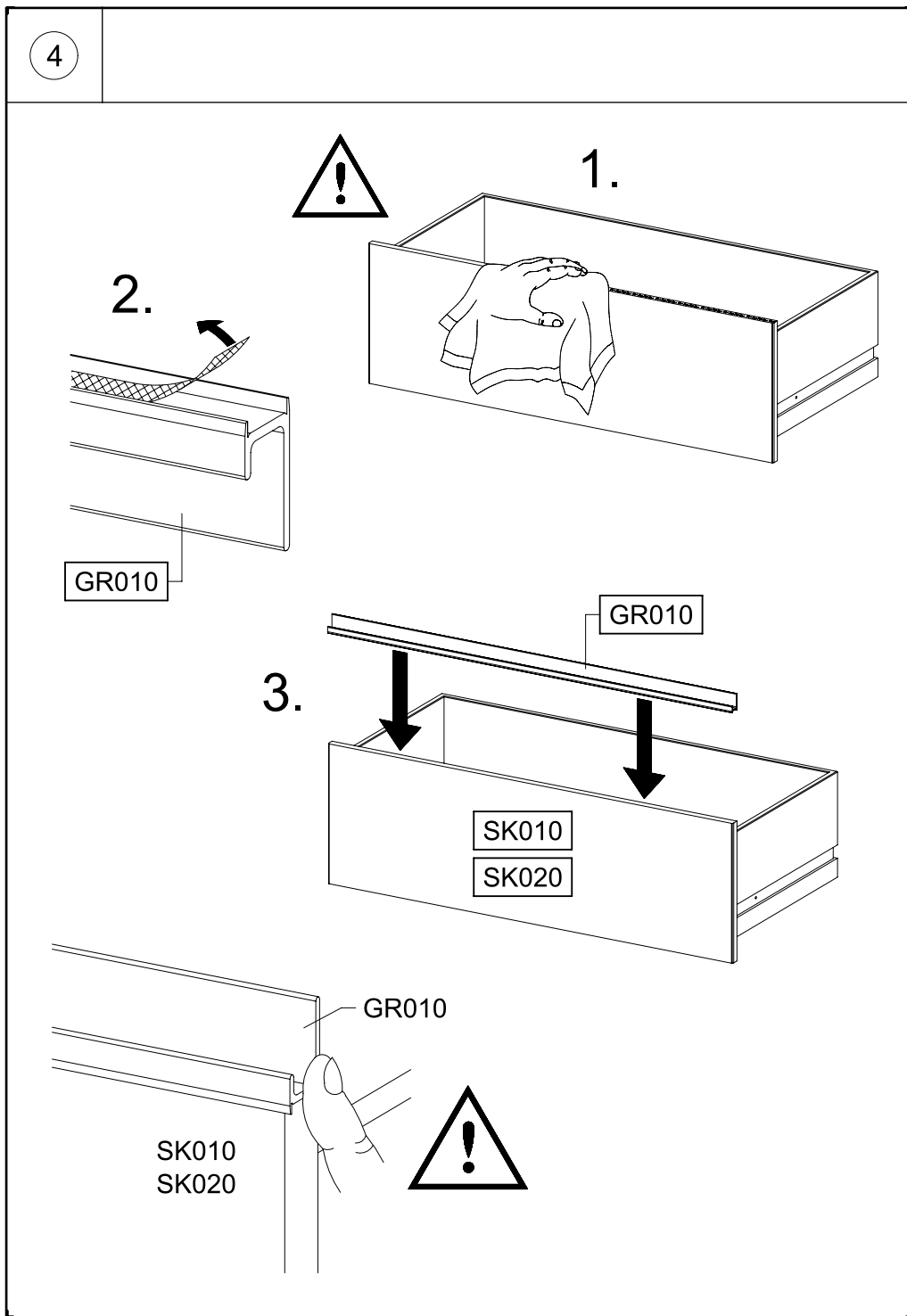
BO010

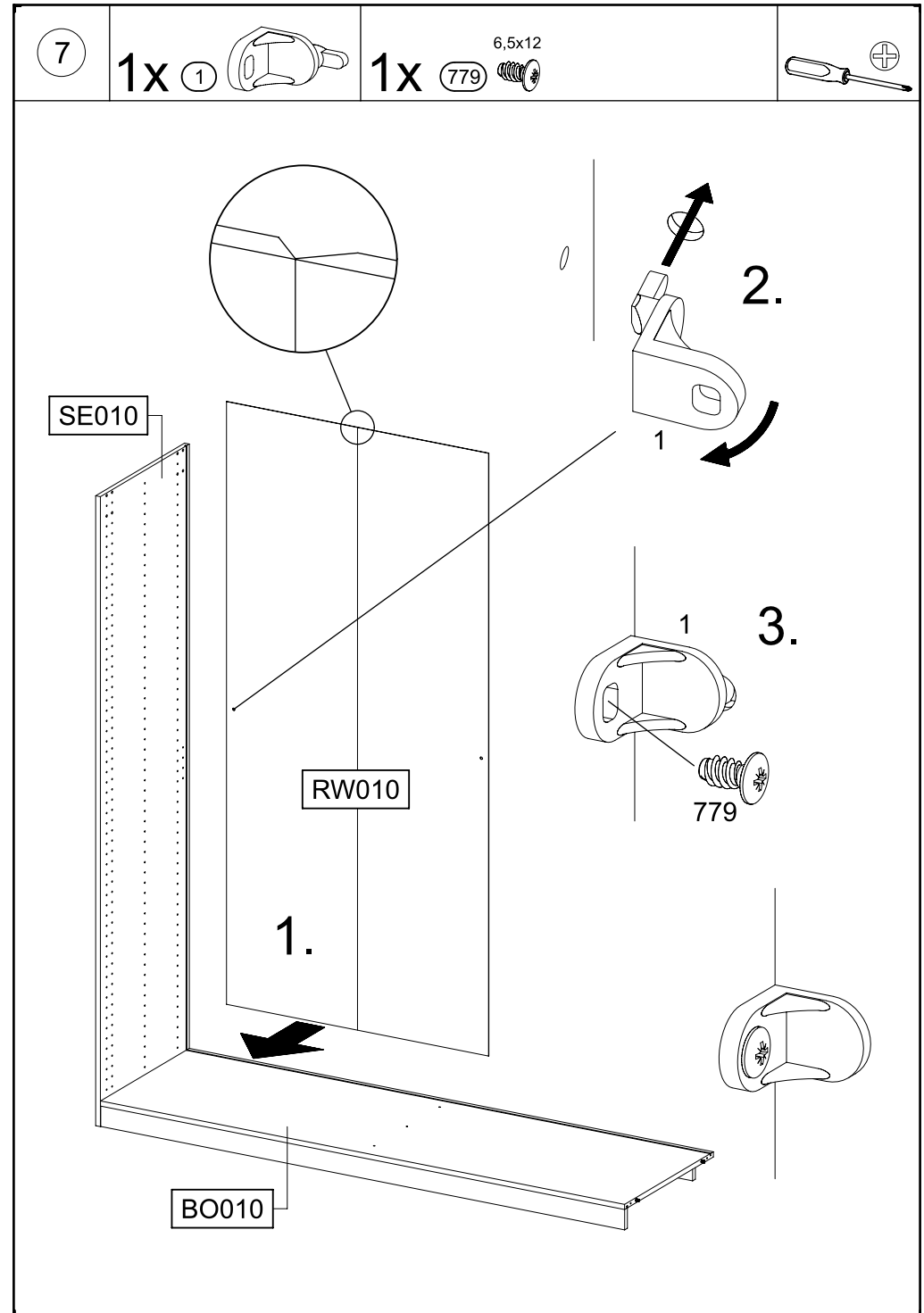
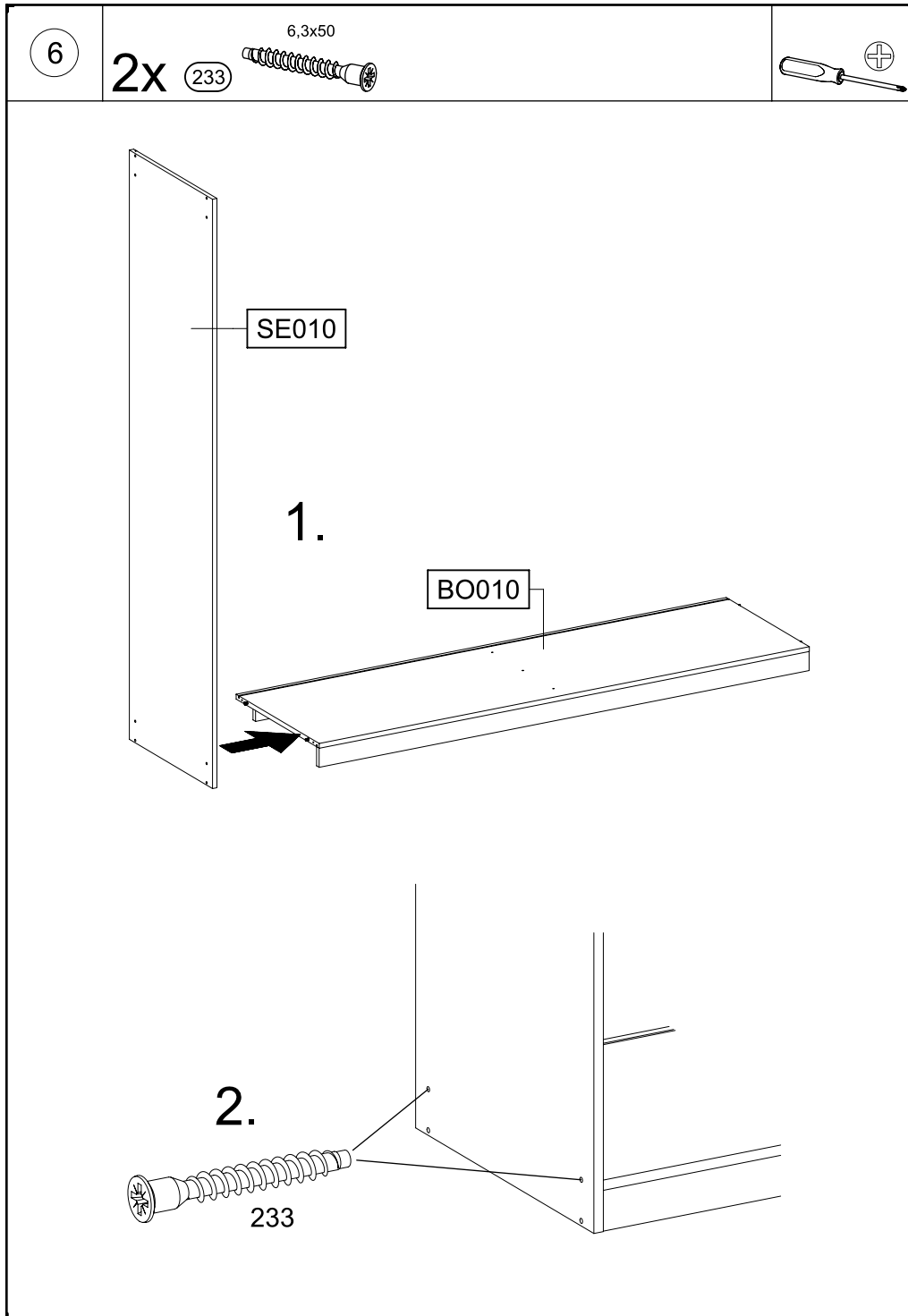


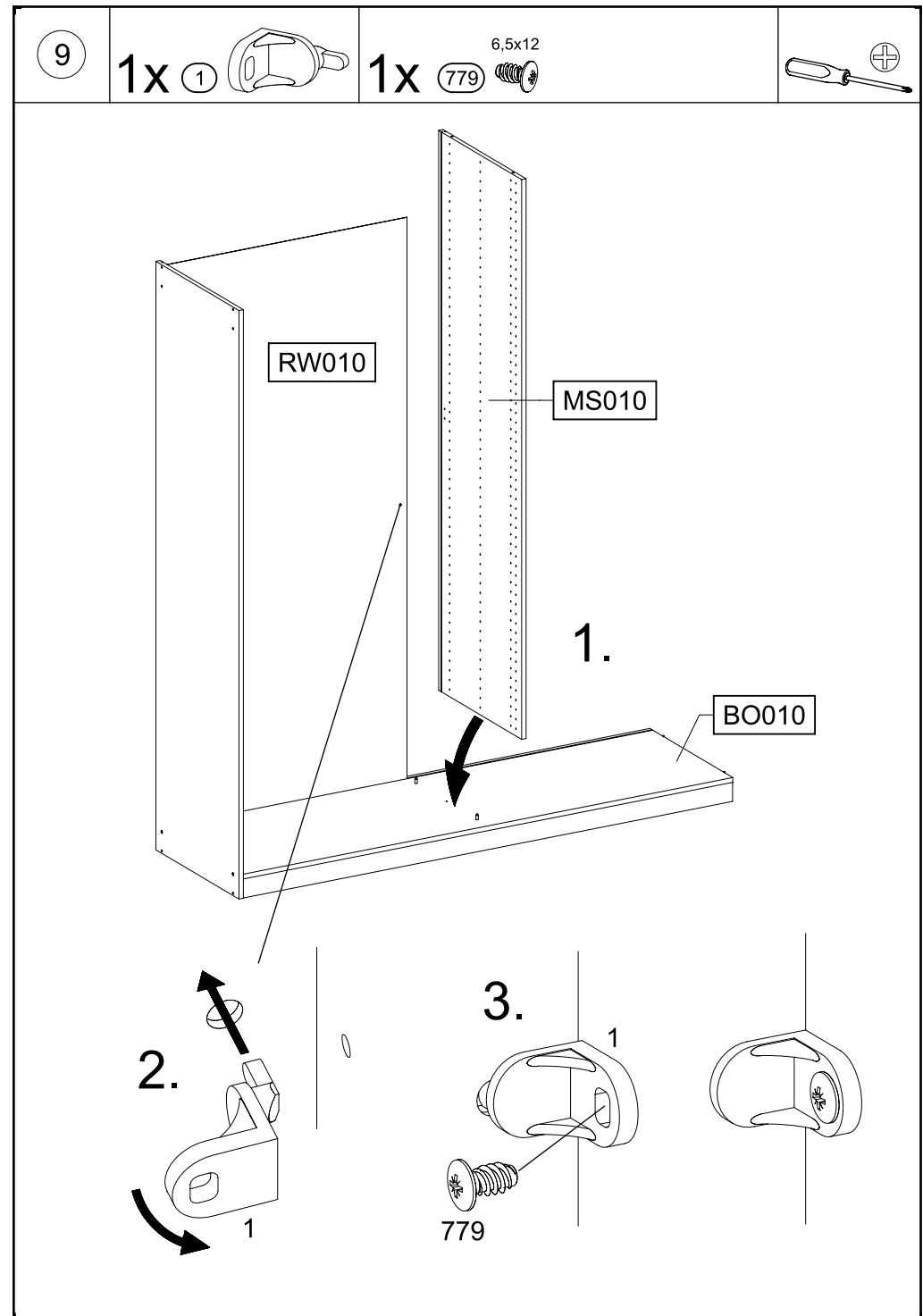
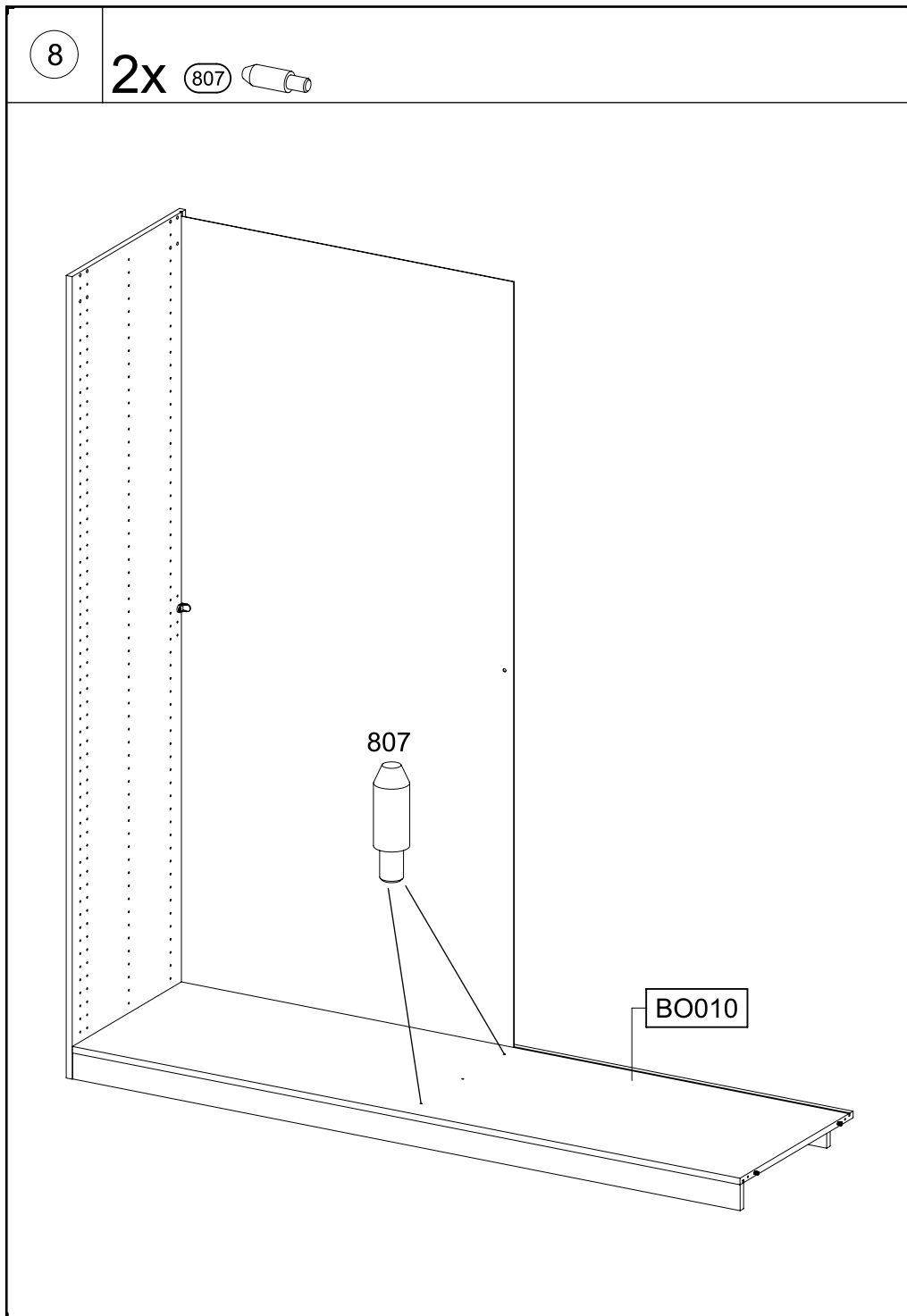
SO010

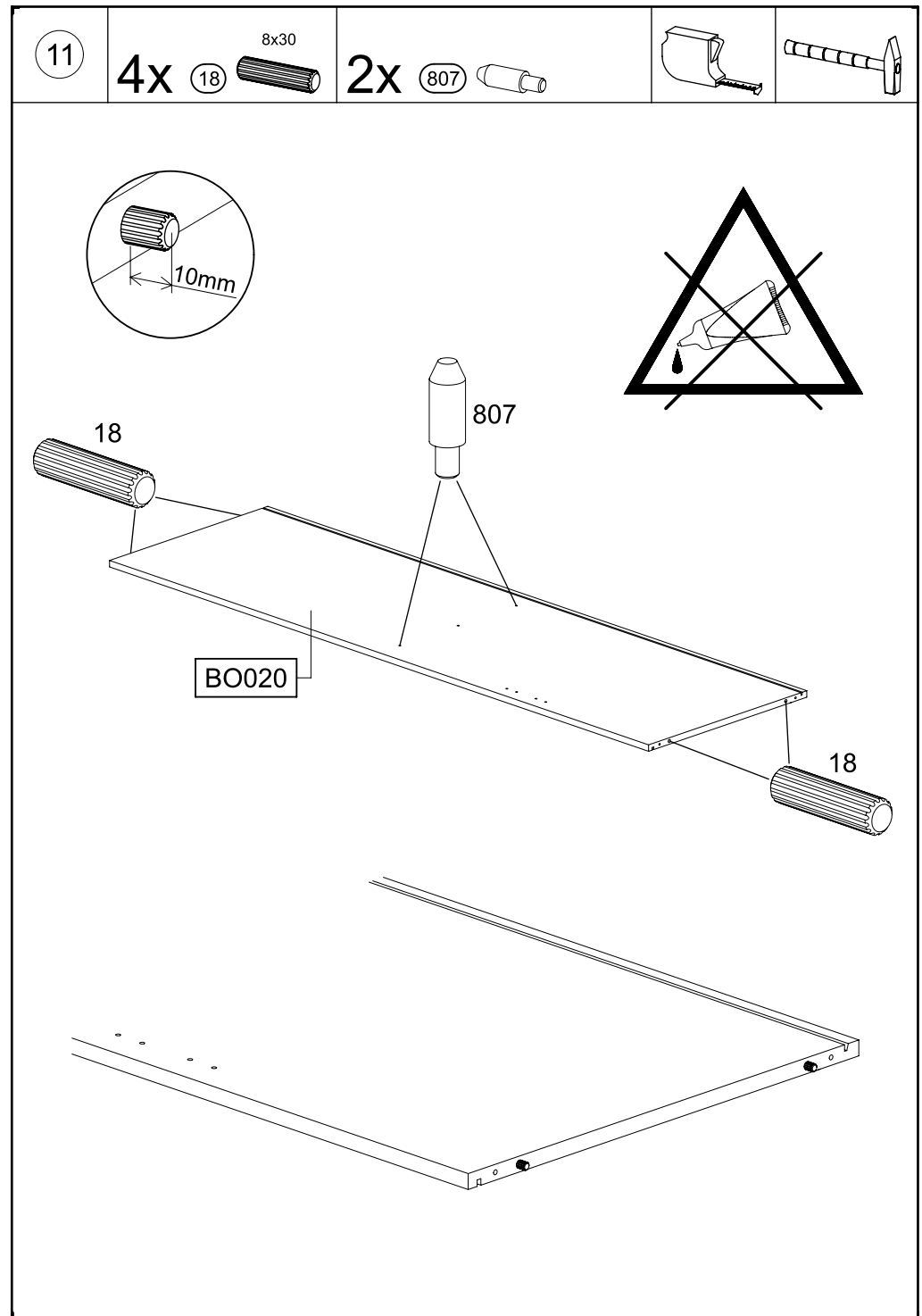
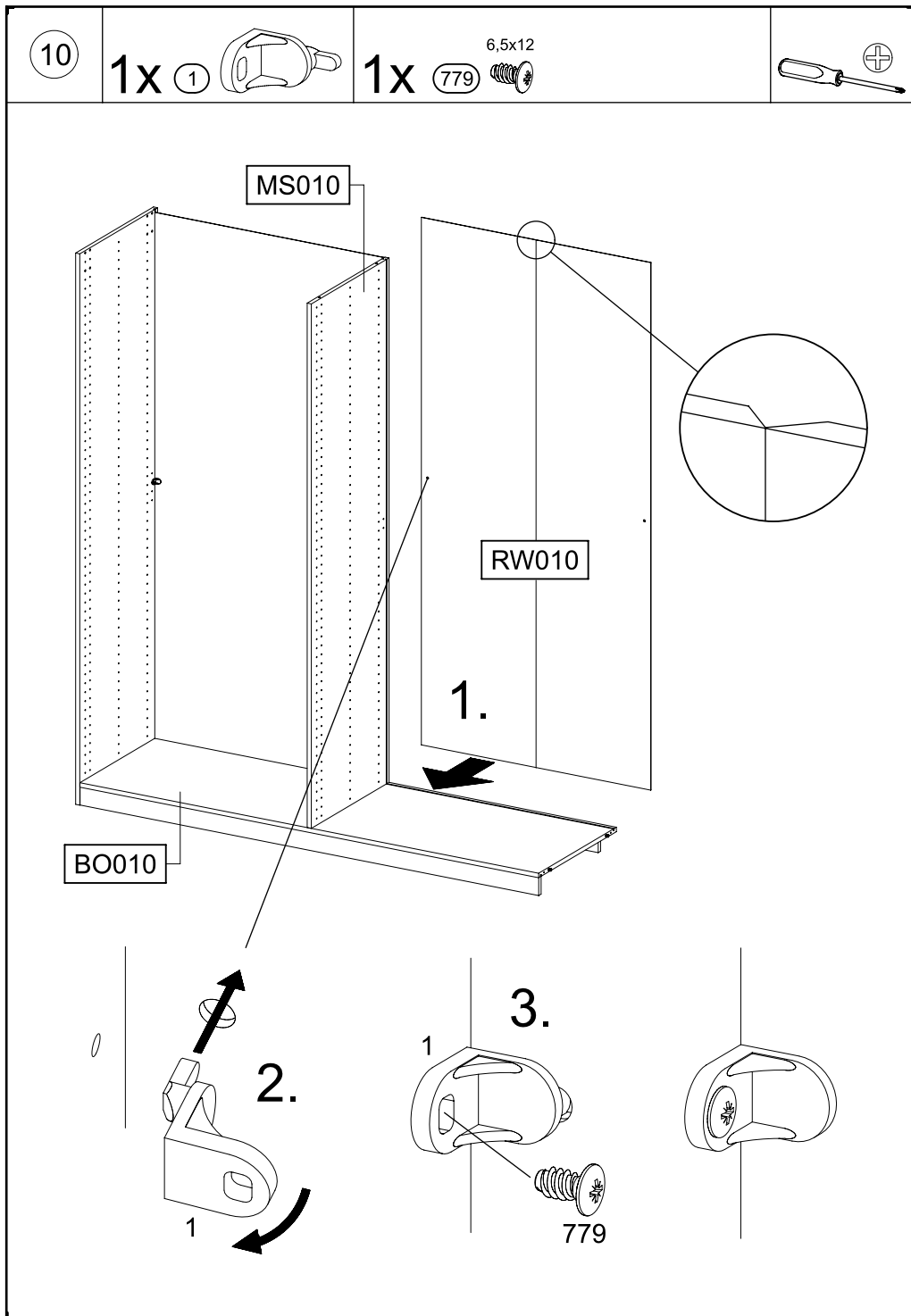
SO020

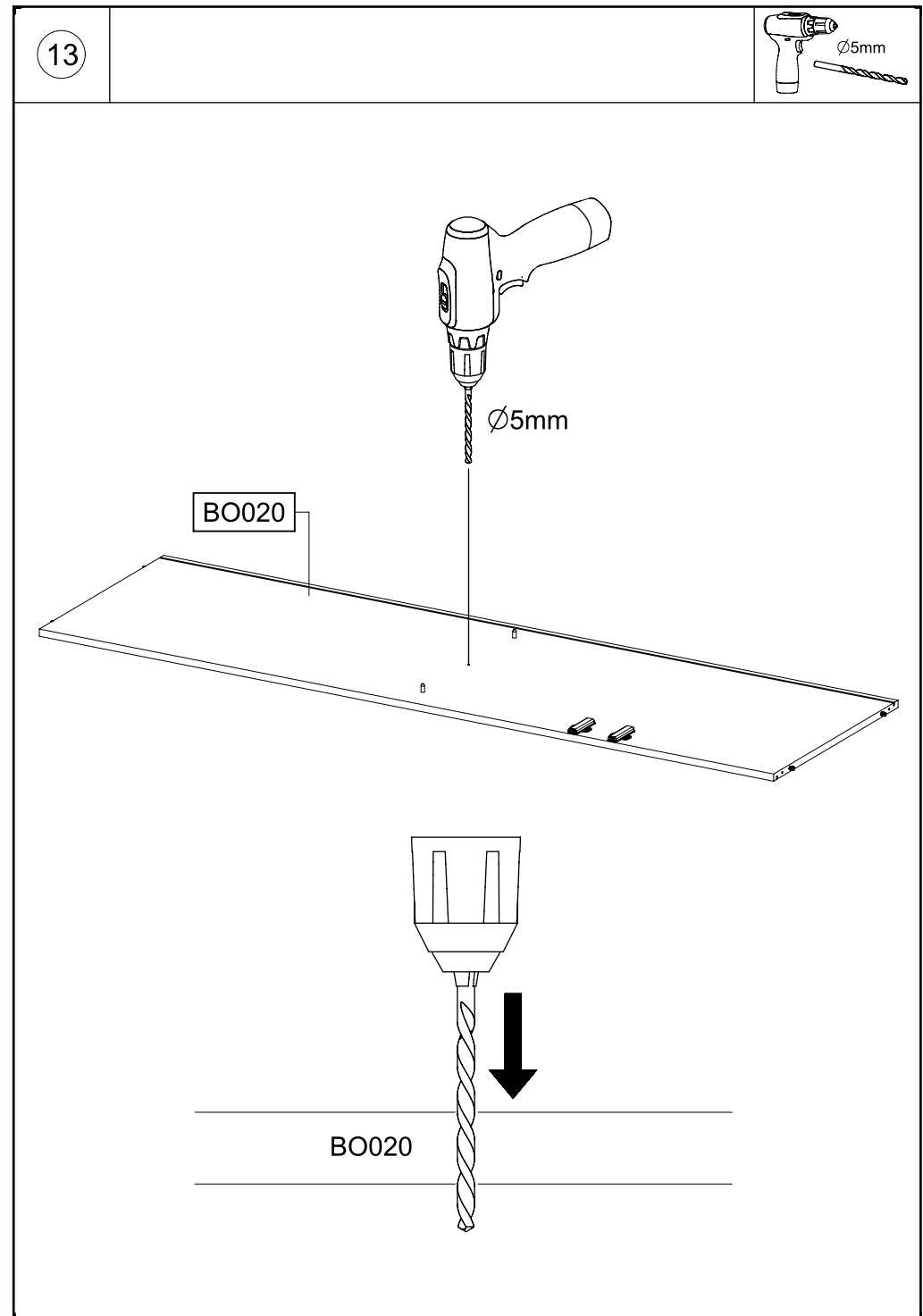
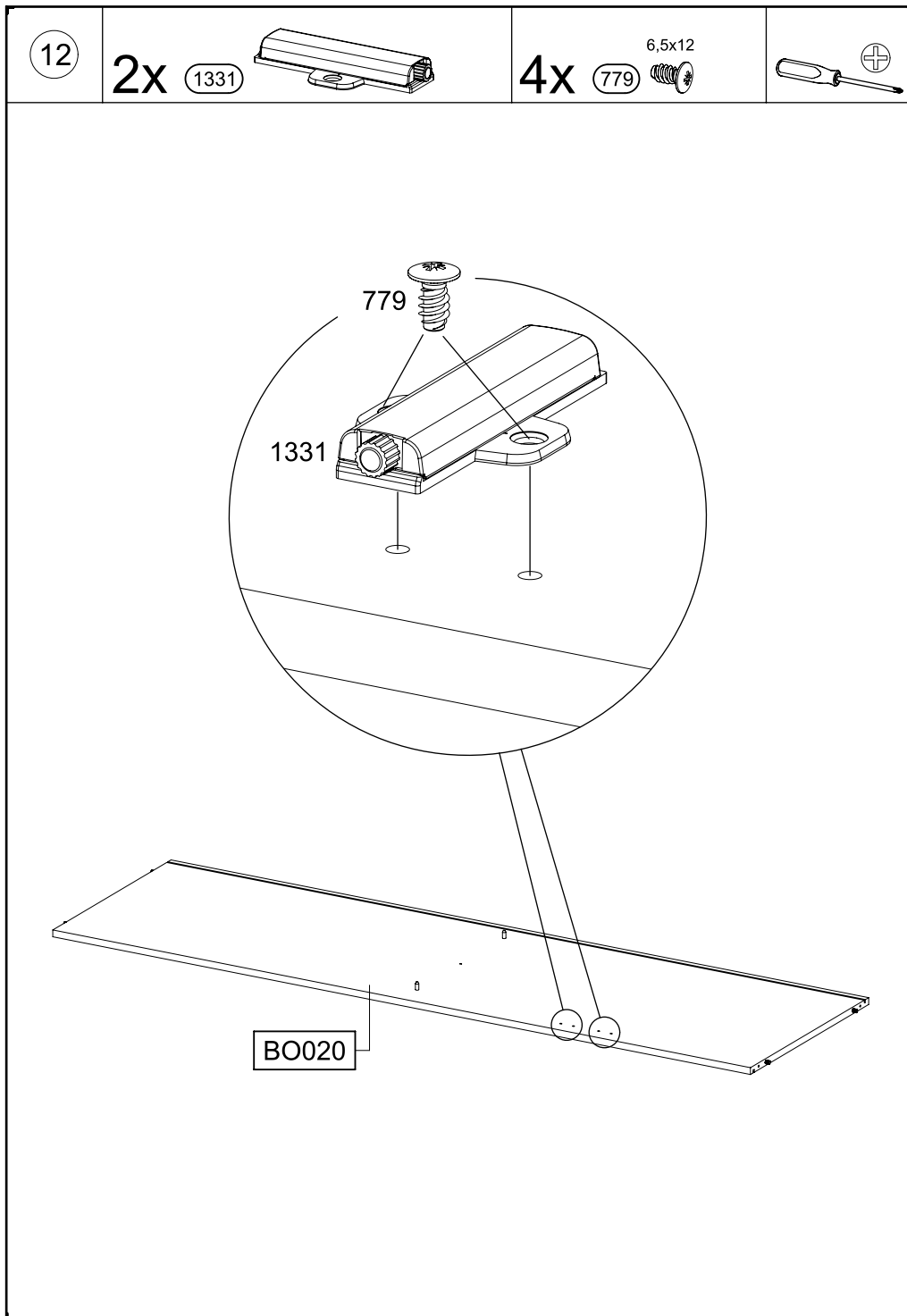








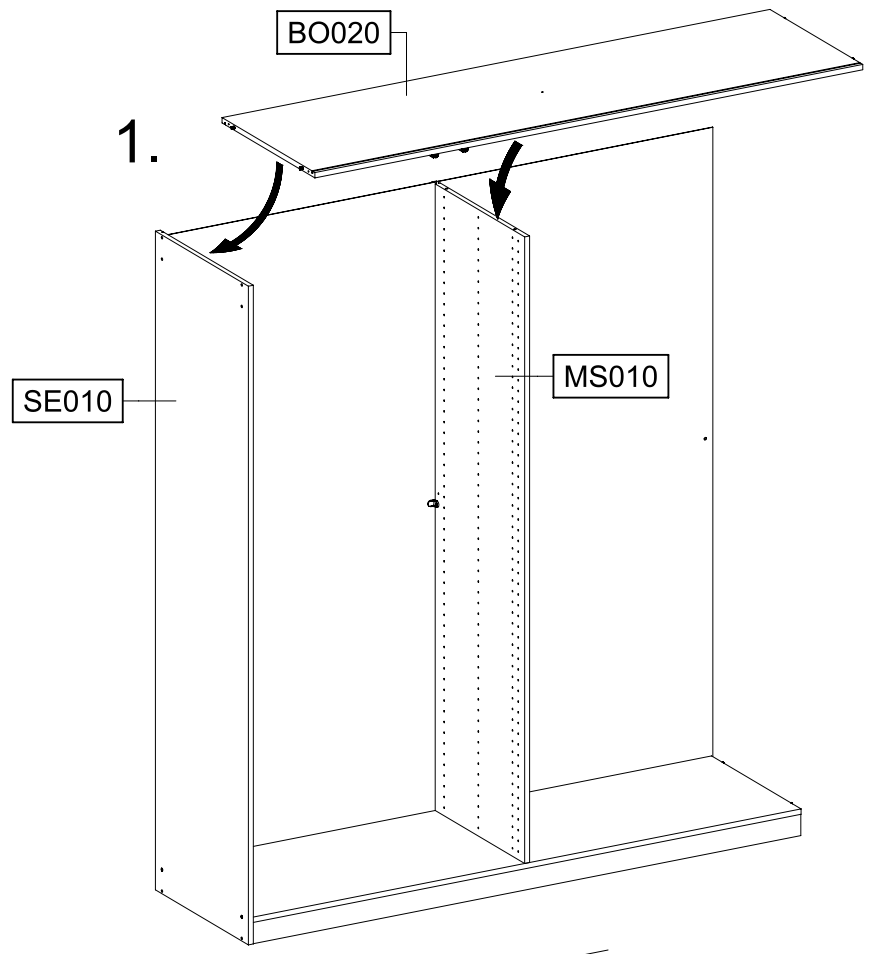
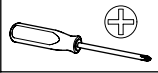
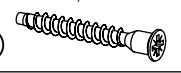




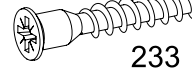
14

2x 233

6,3x50



2.

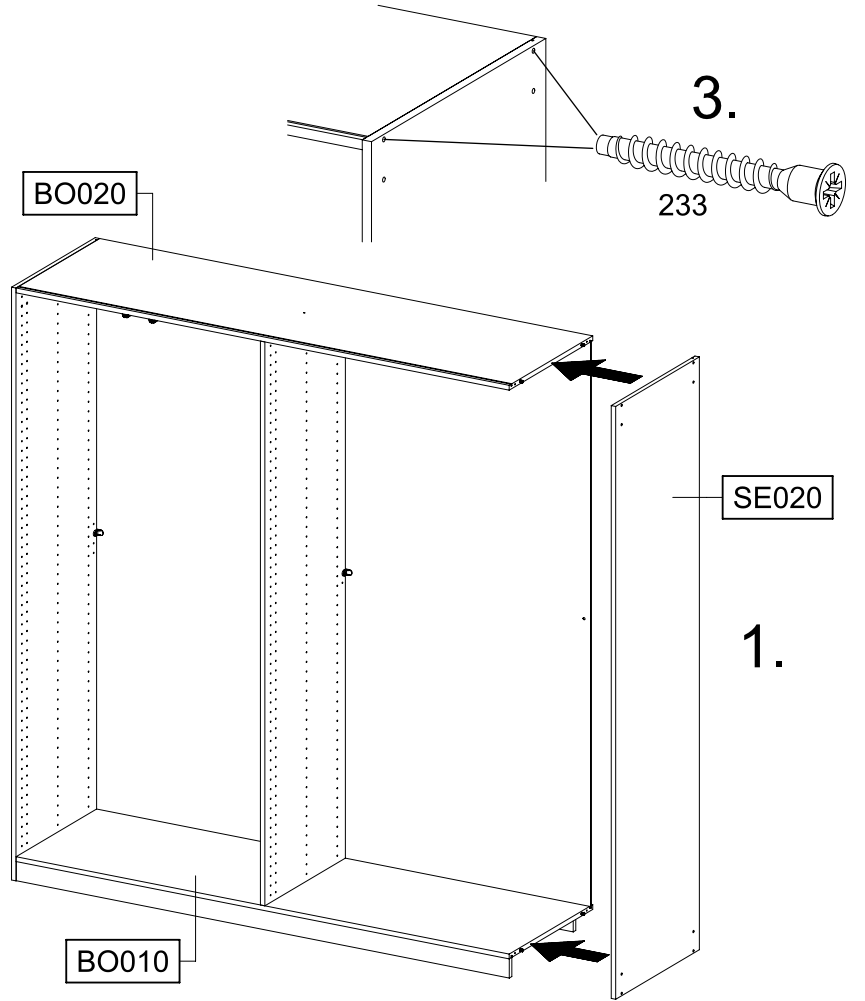
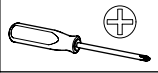
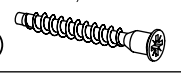


233

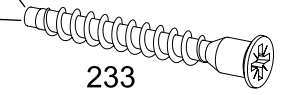
15

4x 233

6,3x50

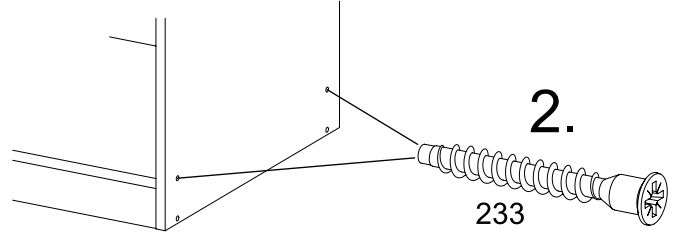


3.

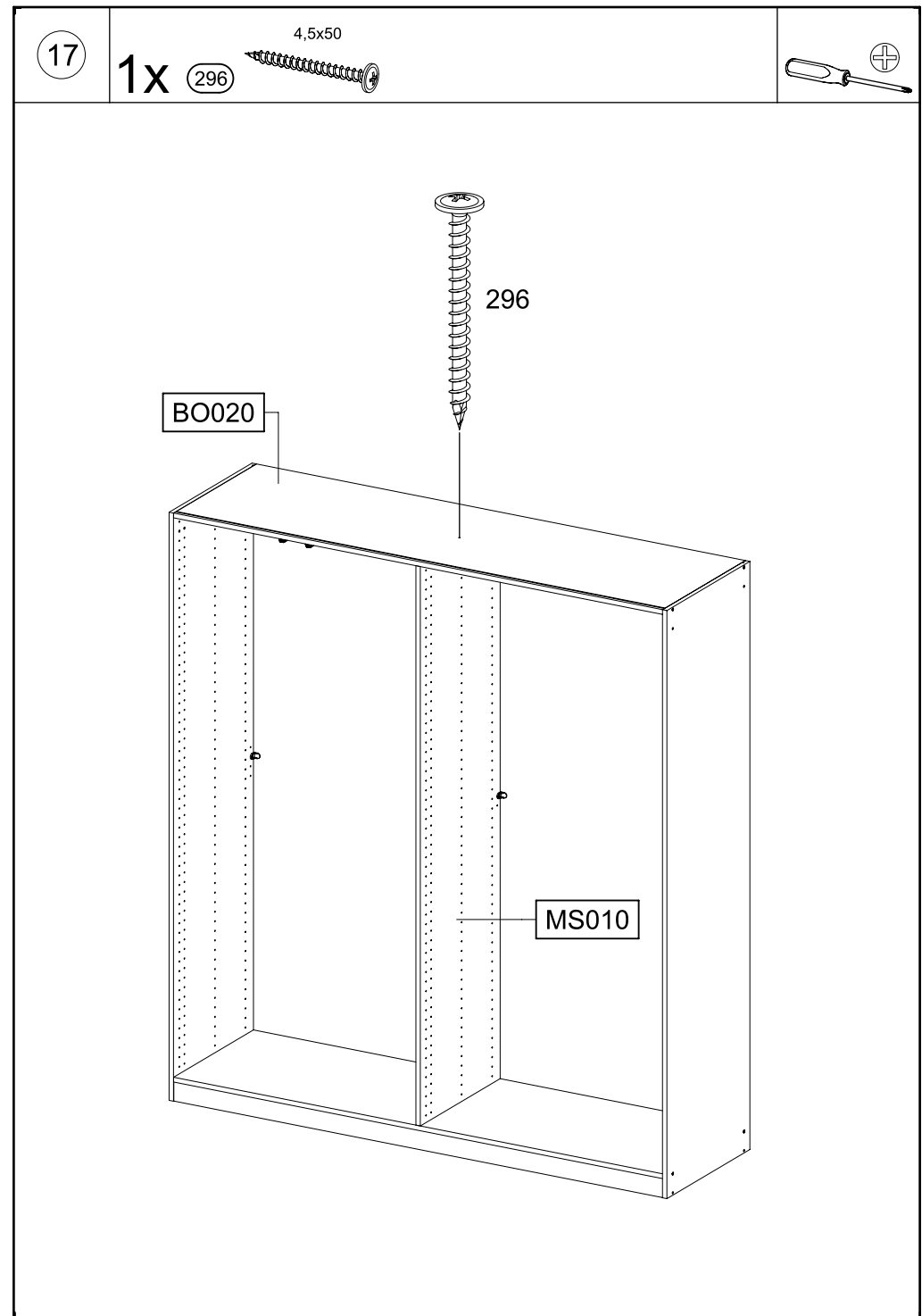
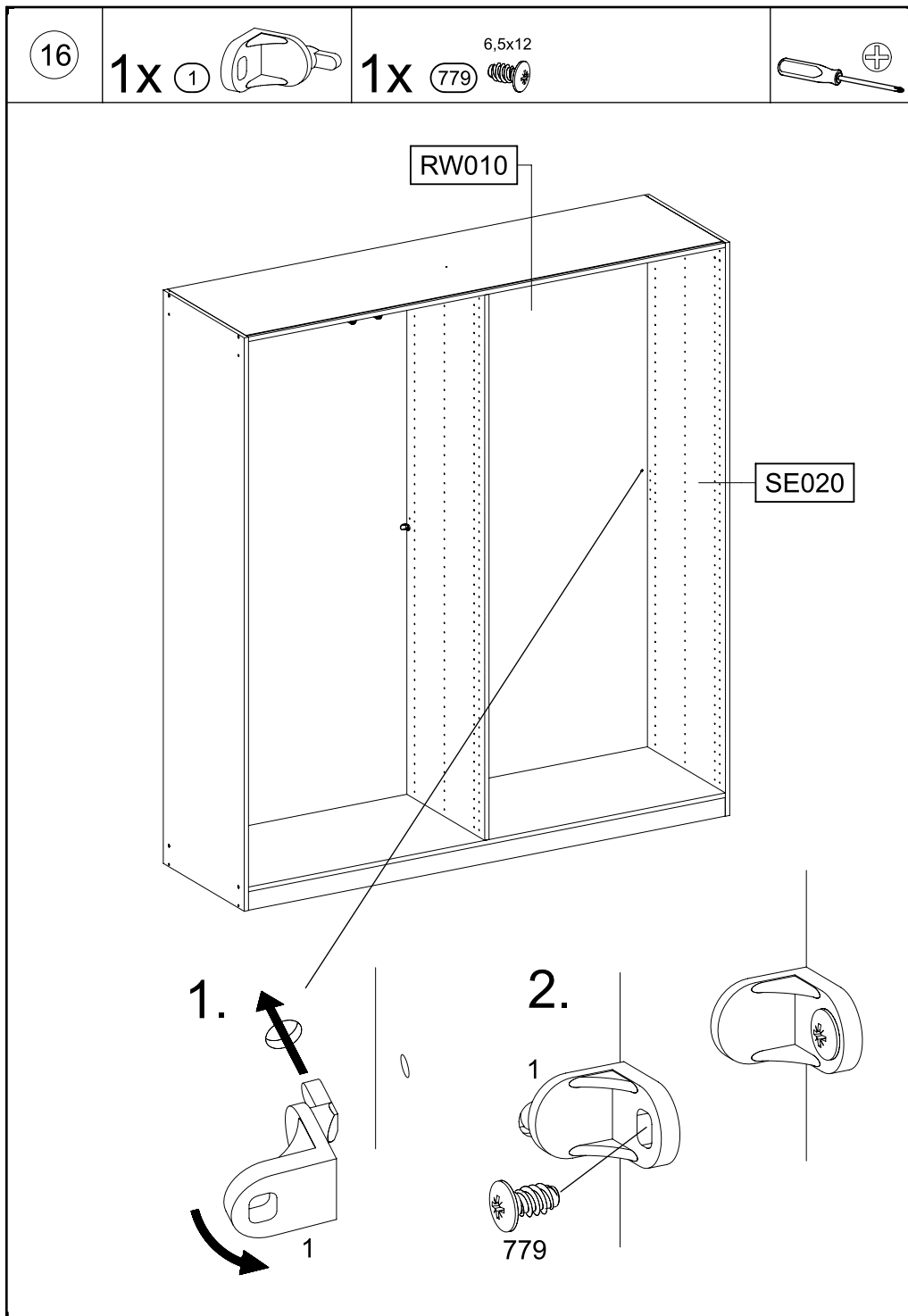


233

2.

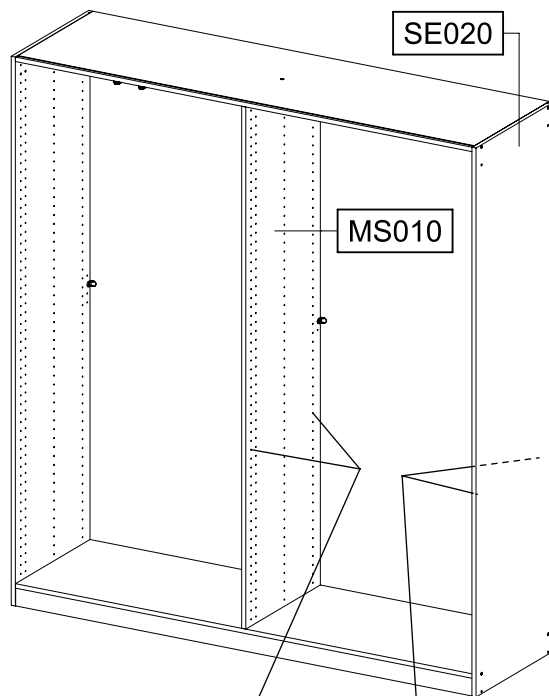
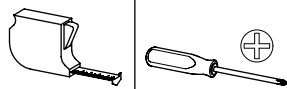


233

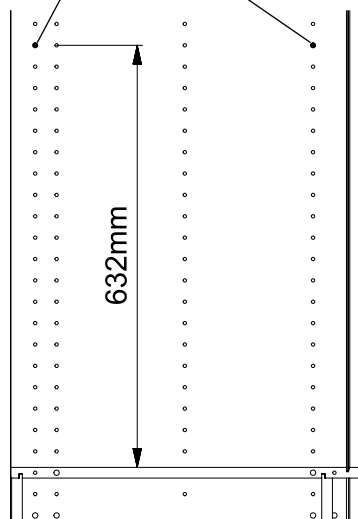


18

4x 249 5,0x7,0



249

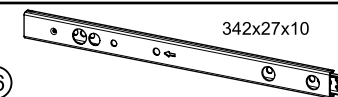


249

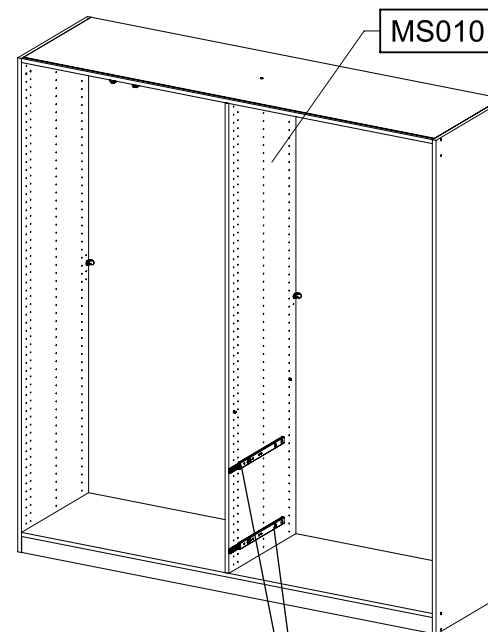
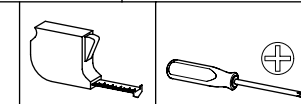
19

2x 205 3,5x15

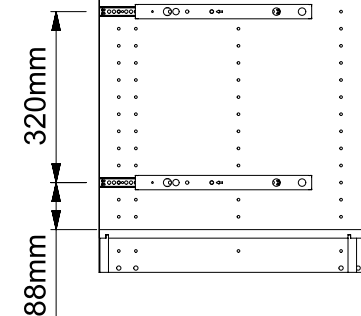
2x 1396



4x 534 6x8



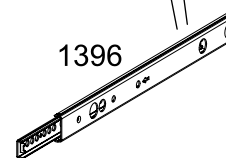
MS010



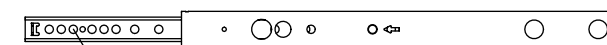
320mm

88mm

1396

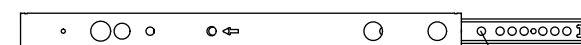


1.



534

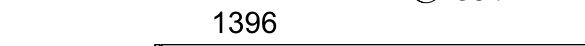
1396



2.

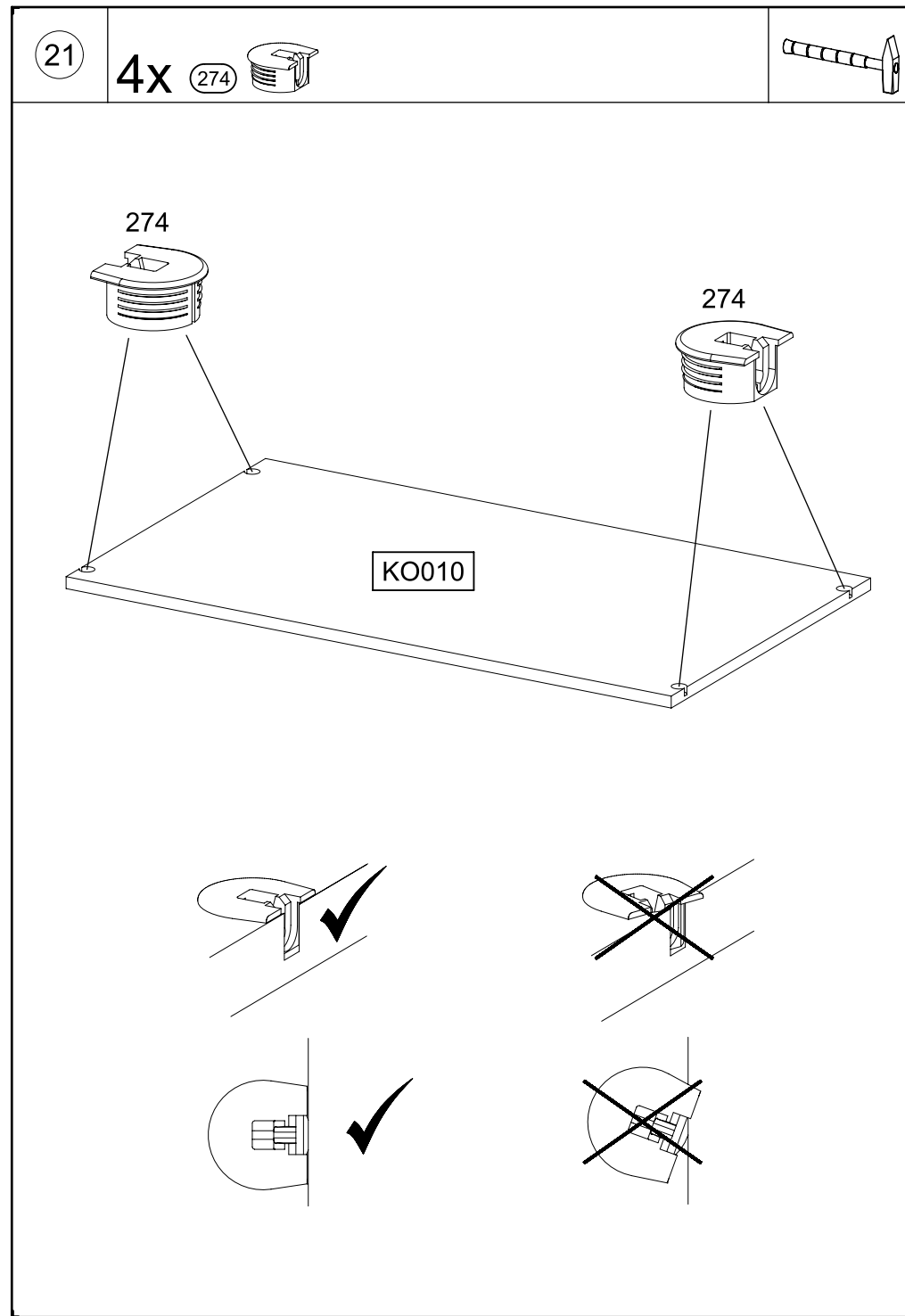
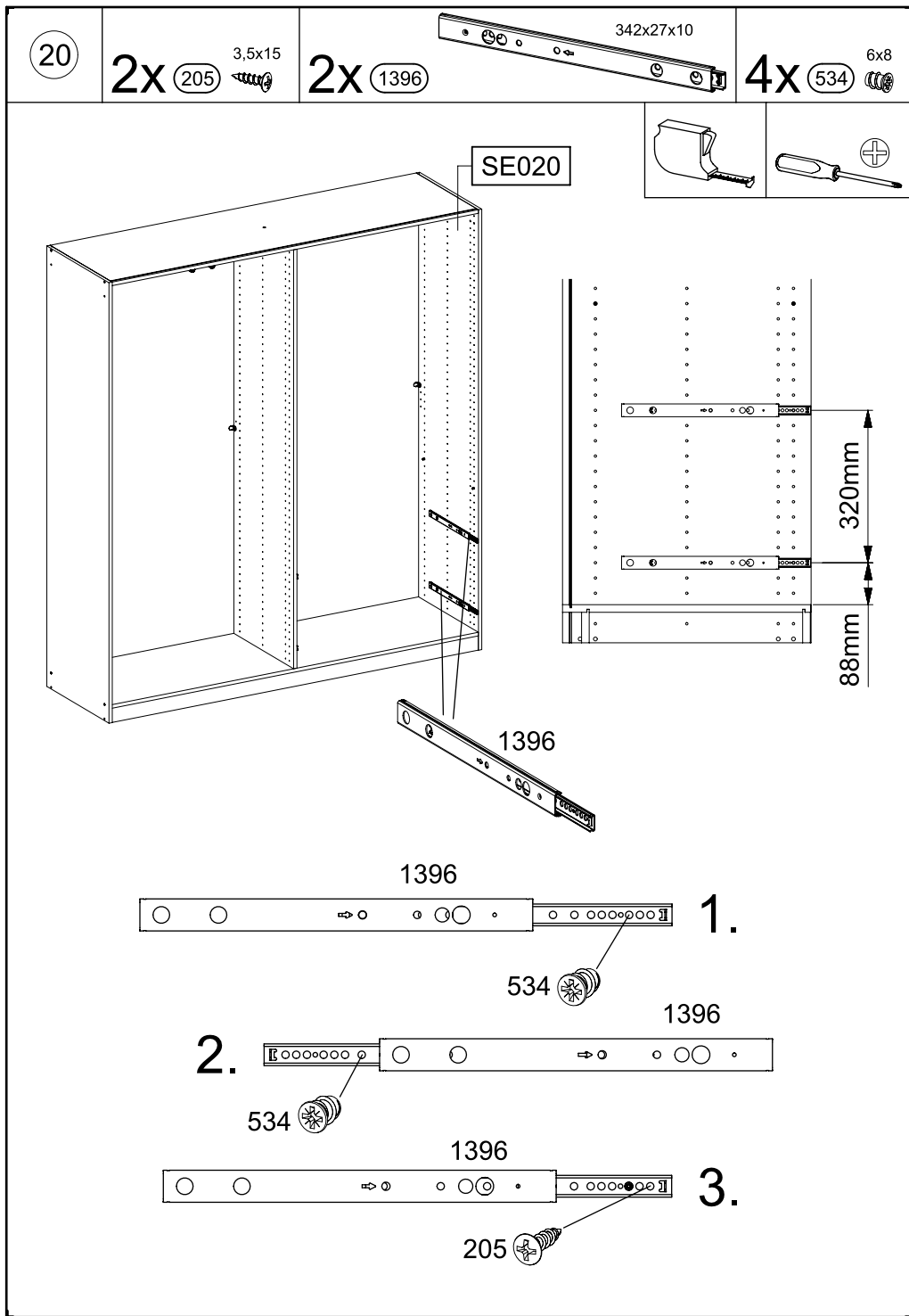
534

3.

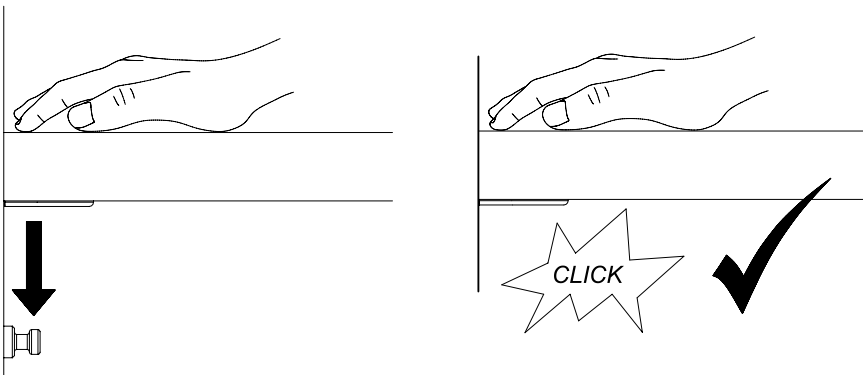
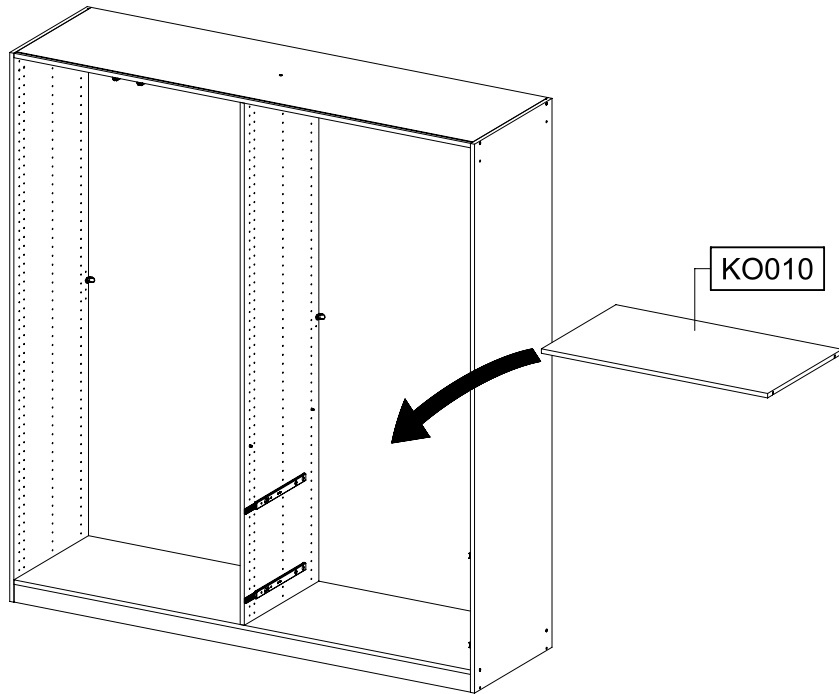


1396

205

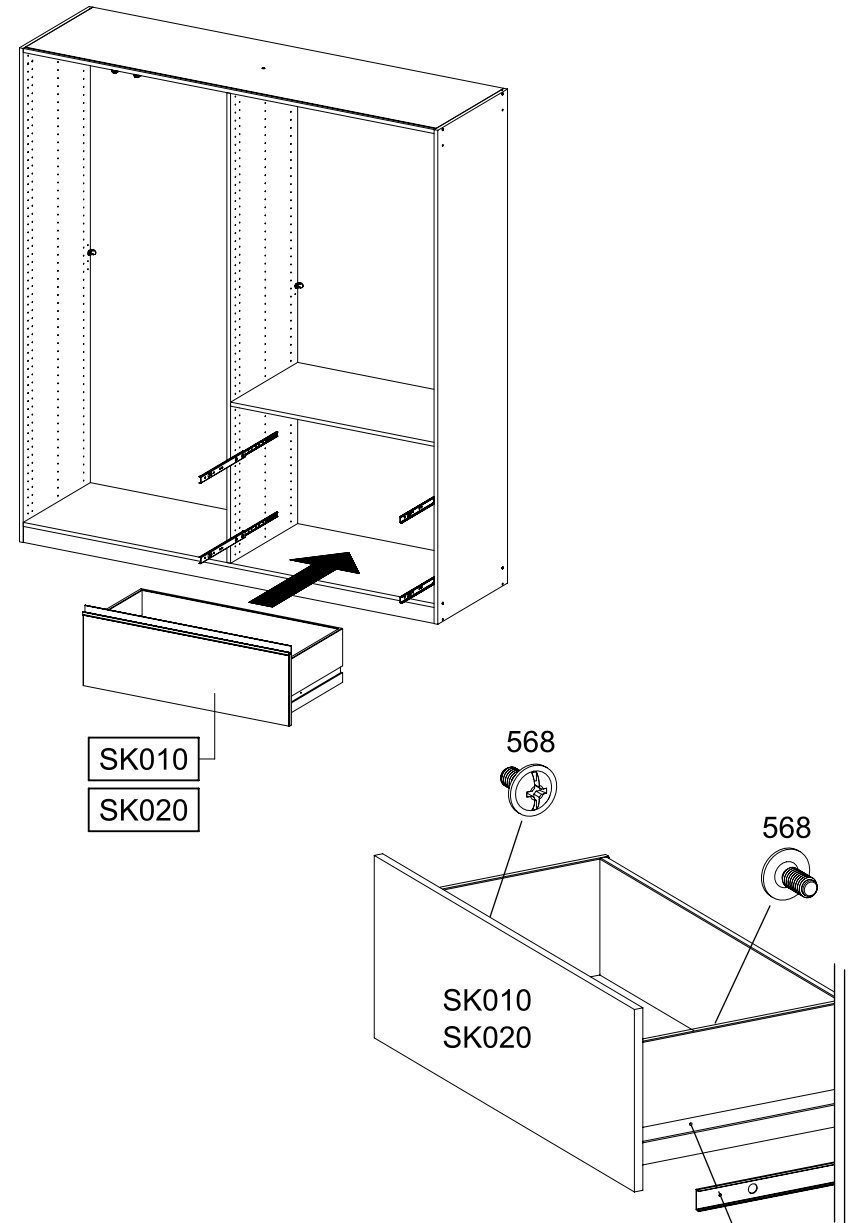
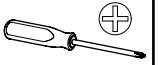


22



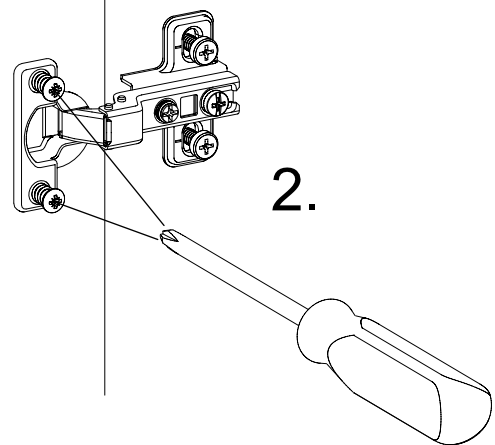
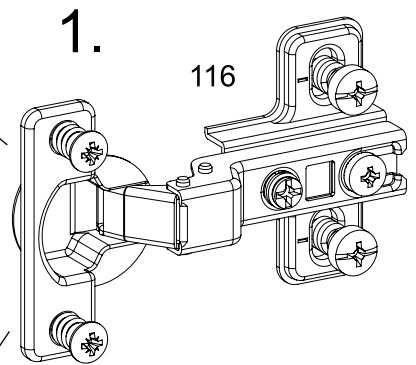
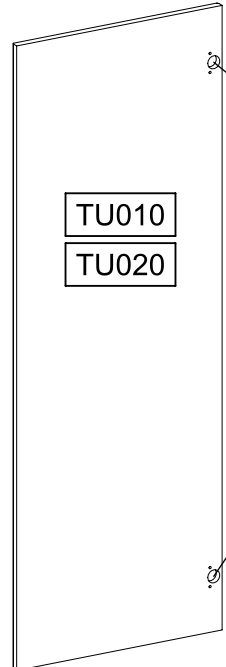
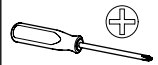
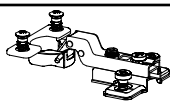
23

4x 568 M4x9



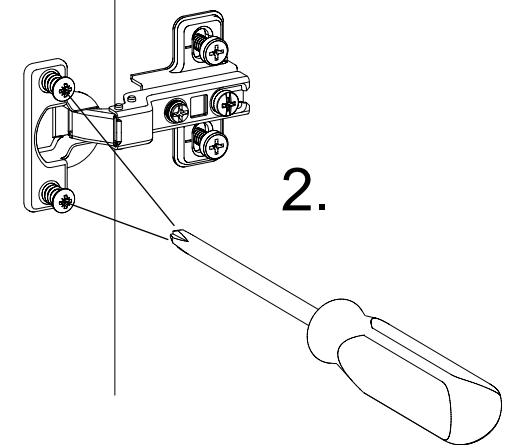
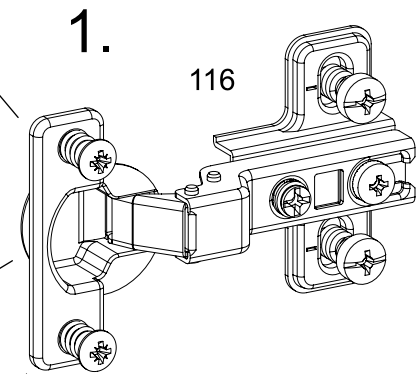
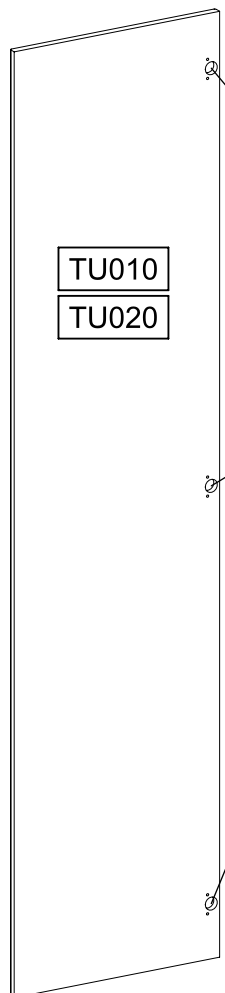
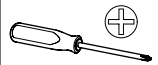
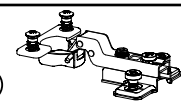
24

4x 116

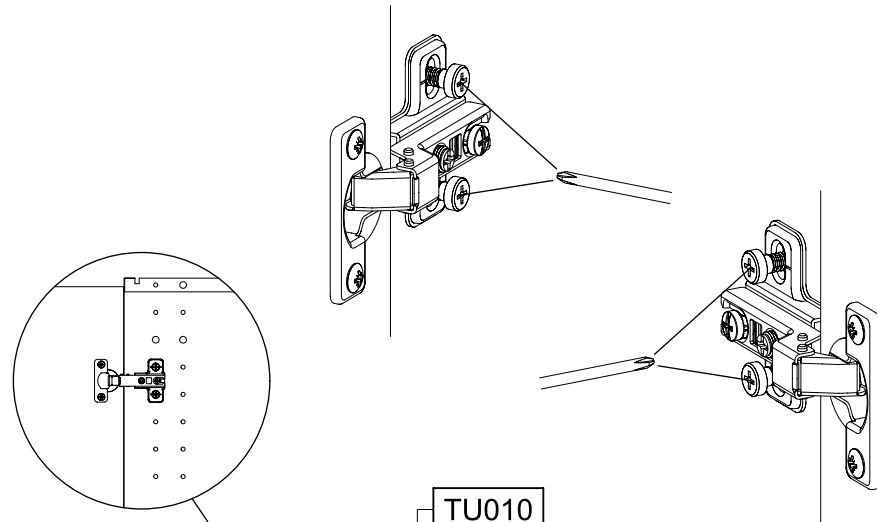
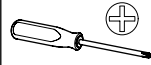


25

6x 116



26

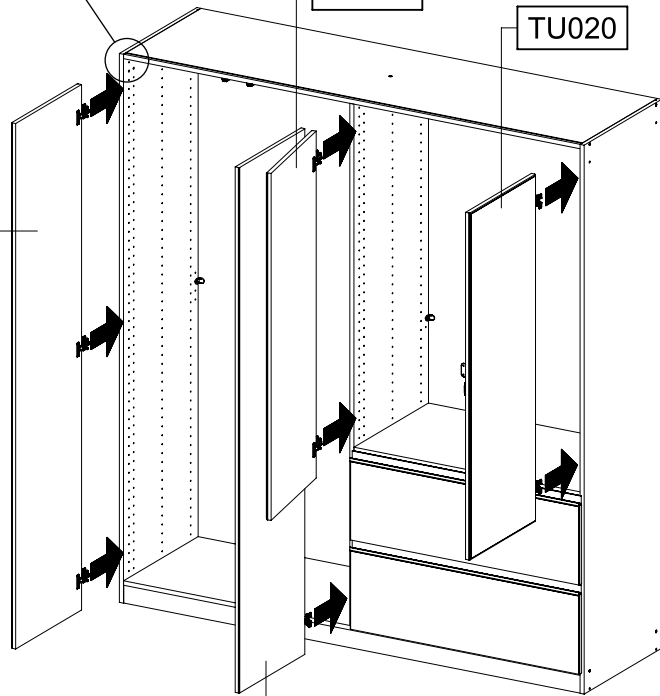


TU010

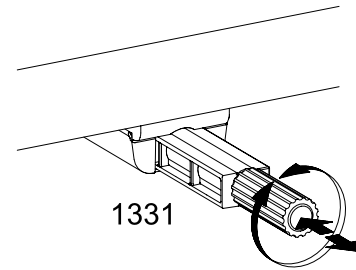
TU020

TU010

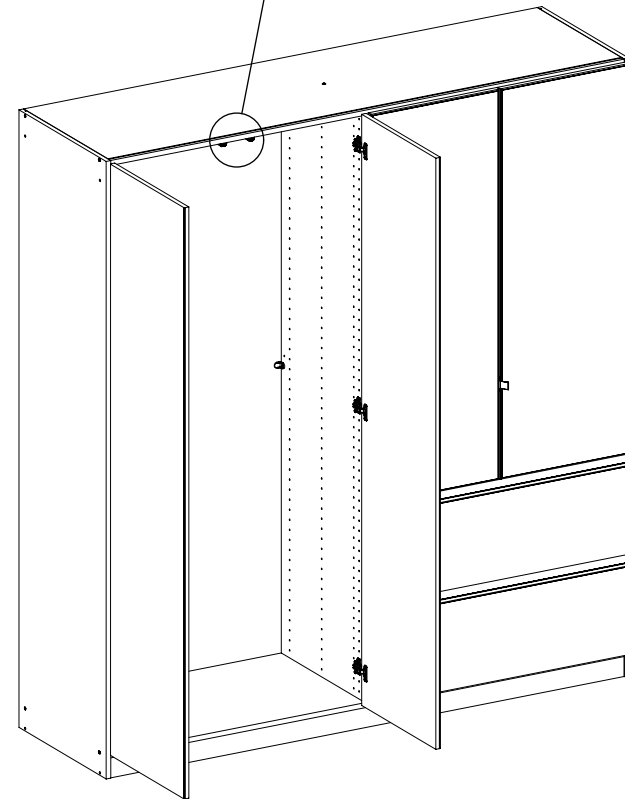
TU020

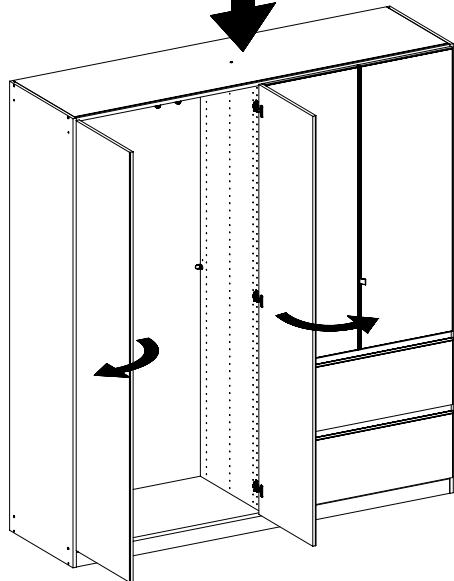
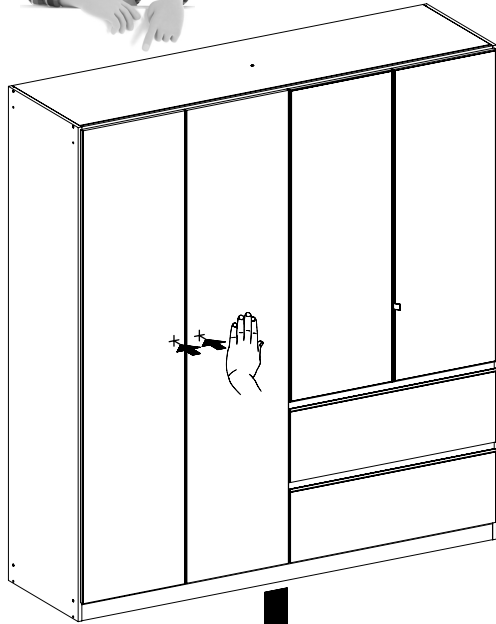


27



1331

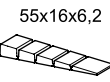




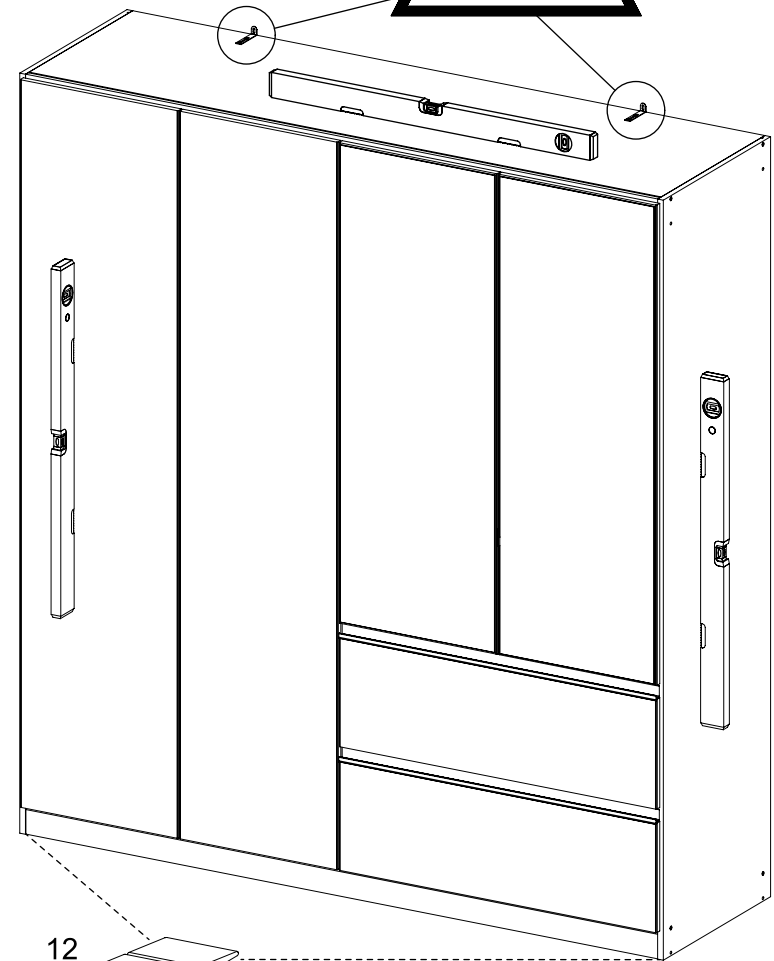
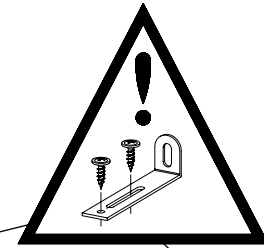
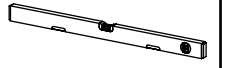
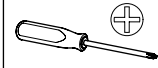
28

2x

12



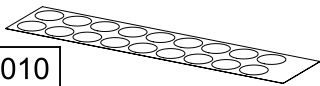
55x16x6,2



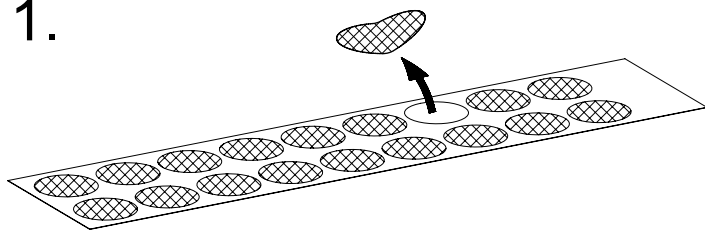
12

29

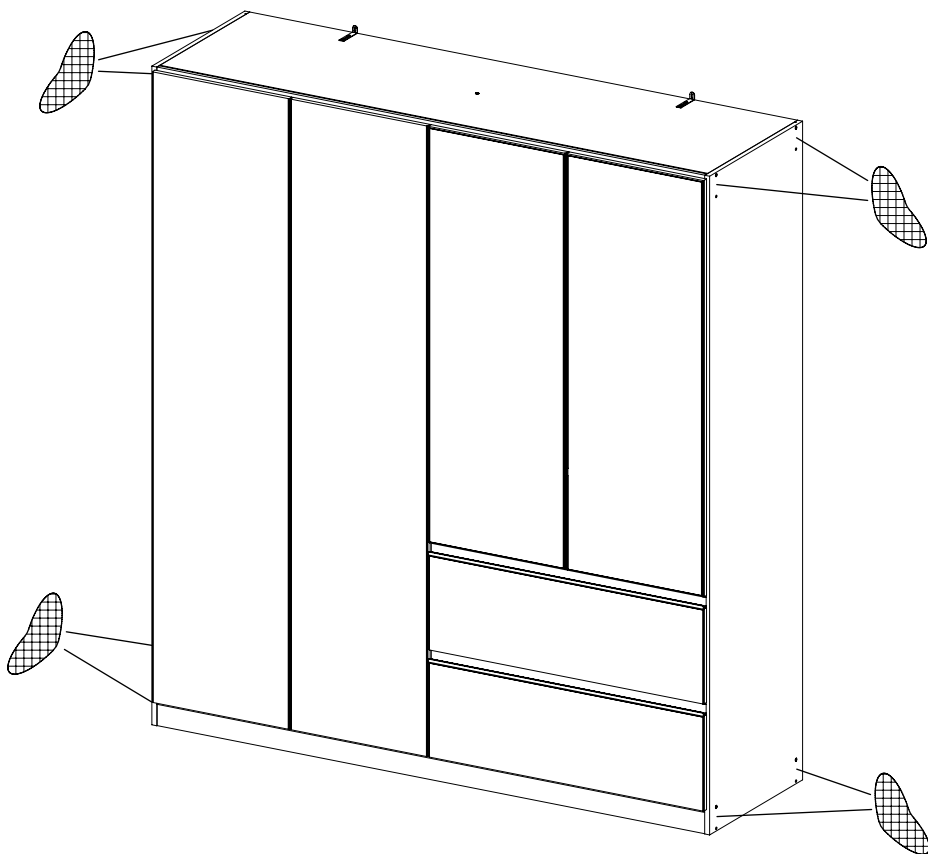
1x RE010



1.



2.



30

