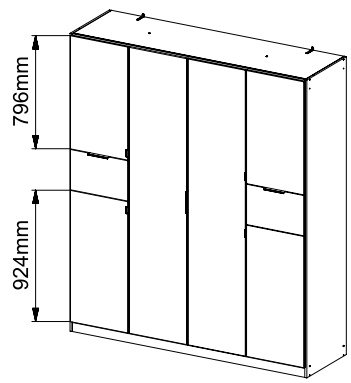
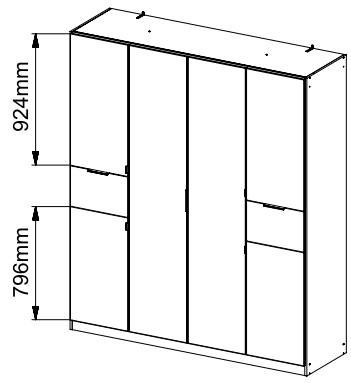
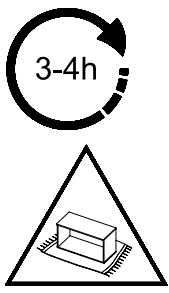
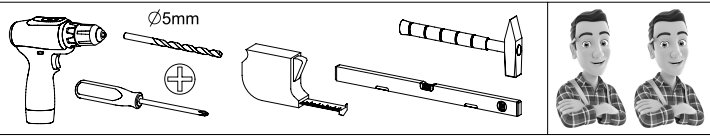
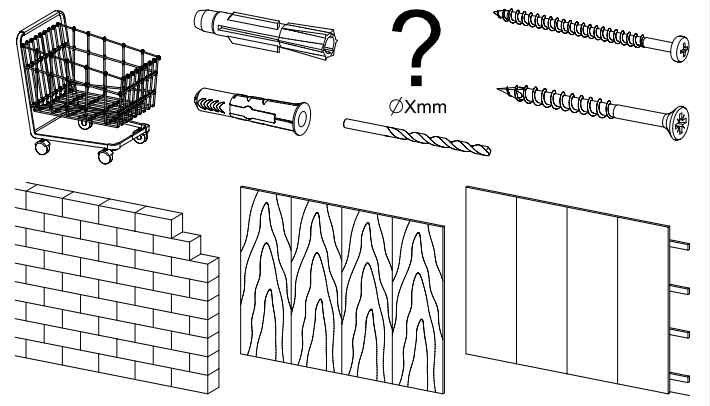
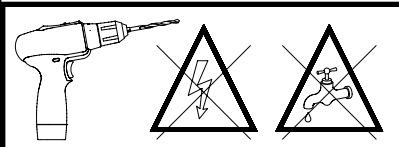
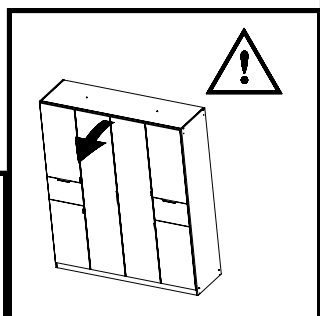
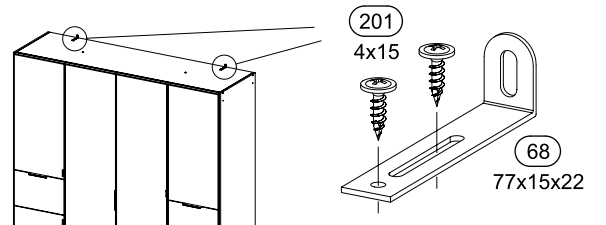


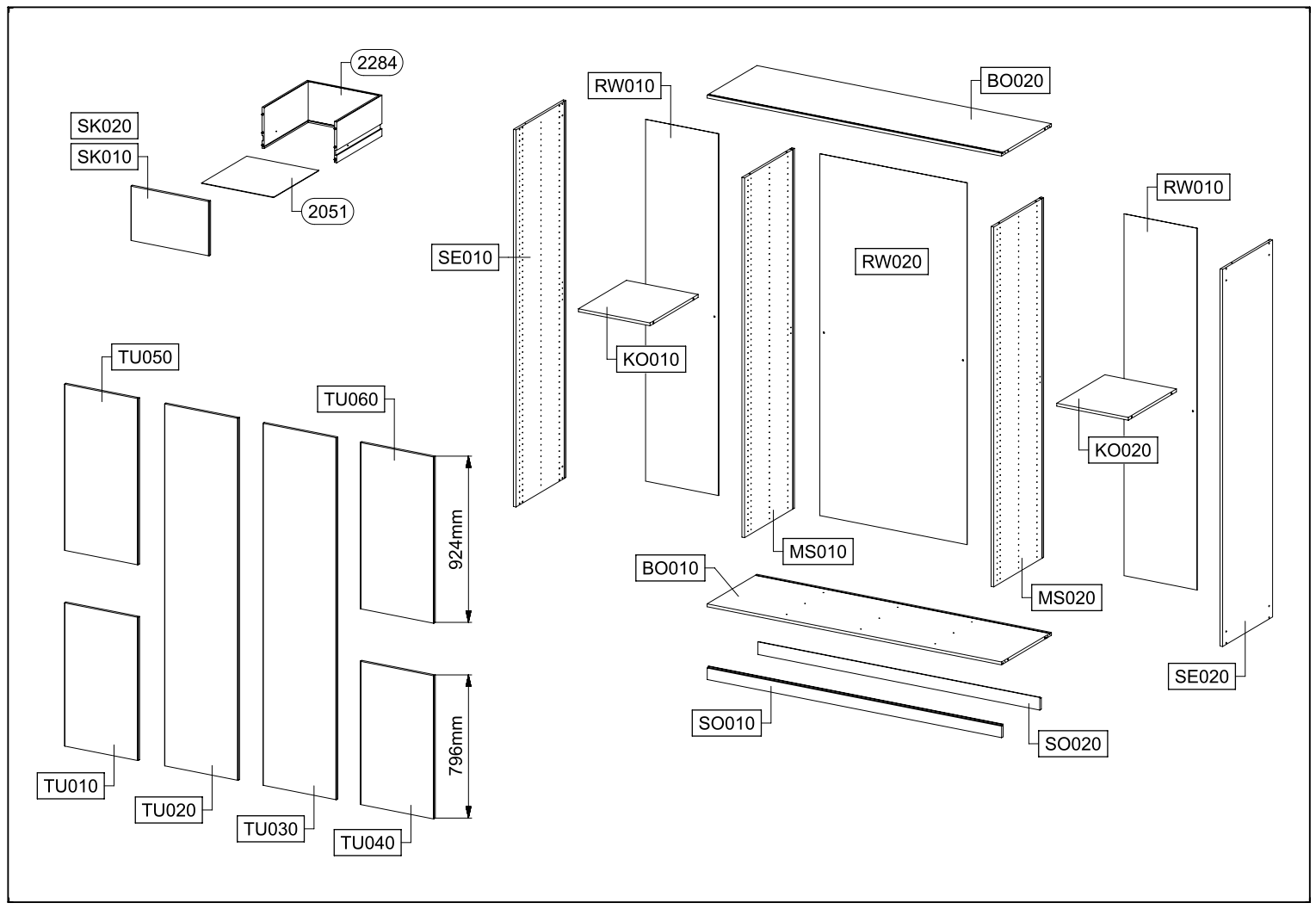
M2914_01



M2914

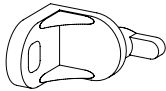
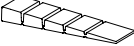
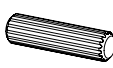
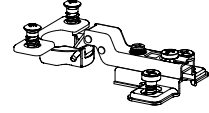
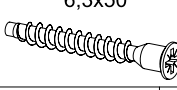
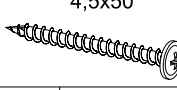
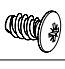
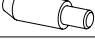

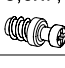

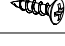
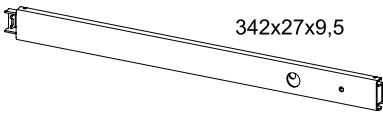

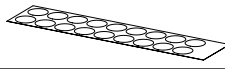
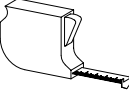
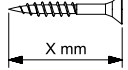
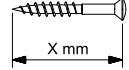
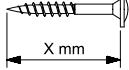


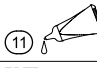
M2914




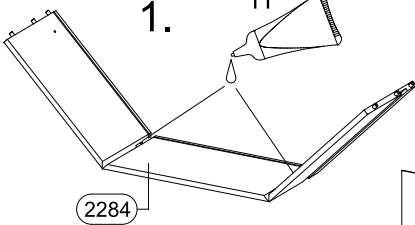
M2914

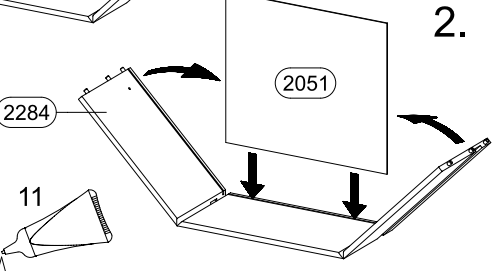
M2914

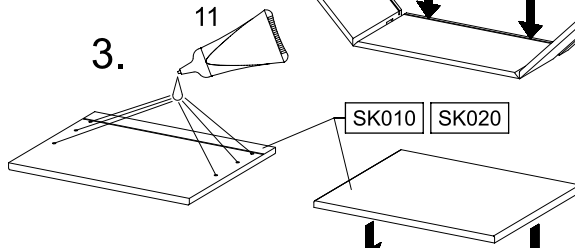
6x ① 	2x ⑫  55x16x6,2	
8x ⑱  8x30	14x ⑪⑯ 	
8x ⑳⑳  6,3x50	2x ⑳⑲  4,5x50	
6x ⑳⑳  6,5x12	8x ⑳⑳ 	8x ⑳⑳  6x8
8x ⑳⑳  5,0x7,0	8x ⑳⑳ 	4x ⑳⑳  3,5x15
4x ⑳⑳  342x27x9,5	4x ⑳⑳  M4x9	
1x ⑳⑳ 		
  X mm  X mm  X mm		

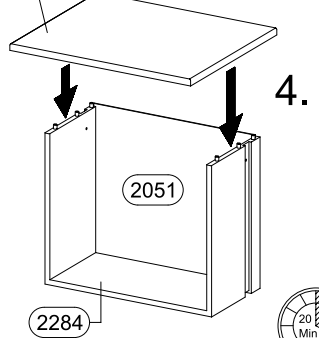
②  11

VIDEO 


1. 

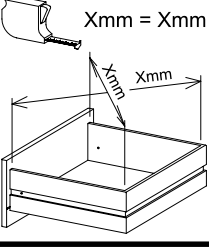
2. 

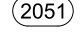
3. 

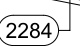
4. 

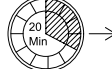
Xmm = Xmm

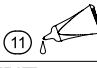
 Xmm Xmm


⑳⑳ 

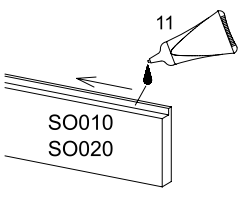
⑳⑳ 

⑳⑳ 

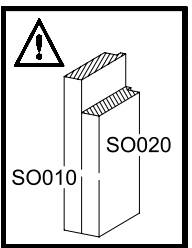


①  11

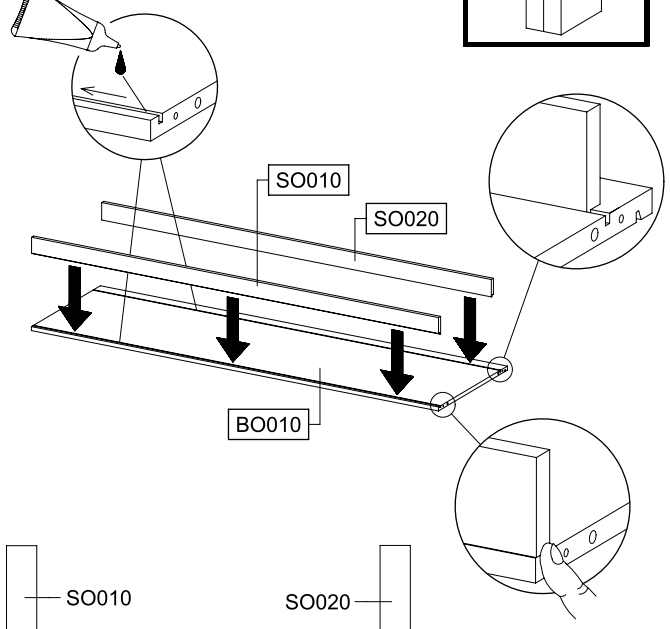
VIDEO 



SO010
SO020



SO010
SO020

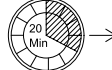



SO010
SO020

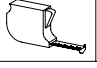
BO010

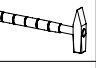
SO010
SO020

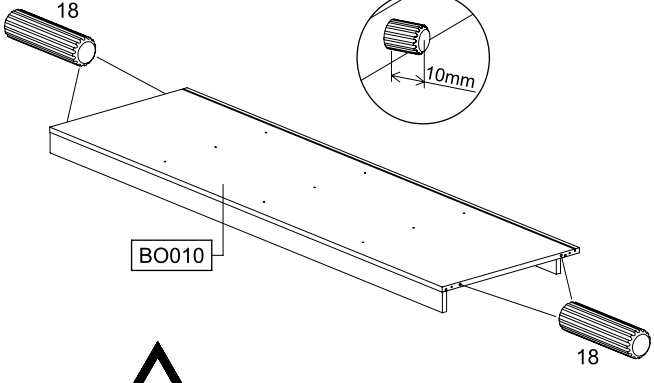
BO010



③ 4x  8x30



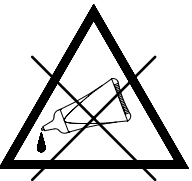


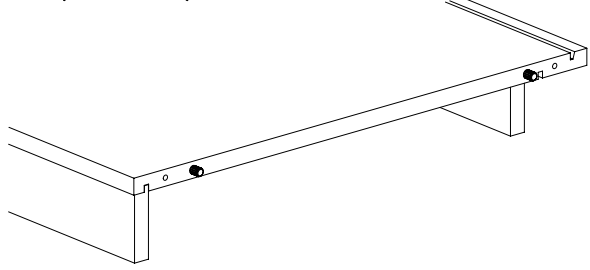


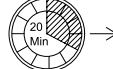
18

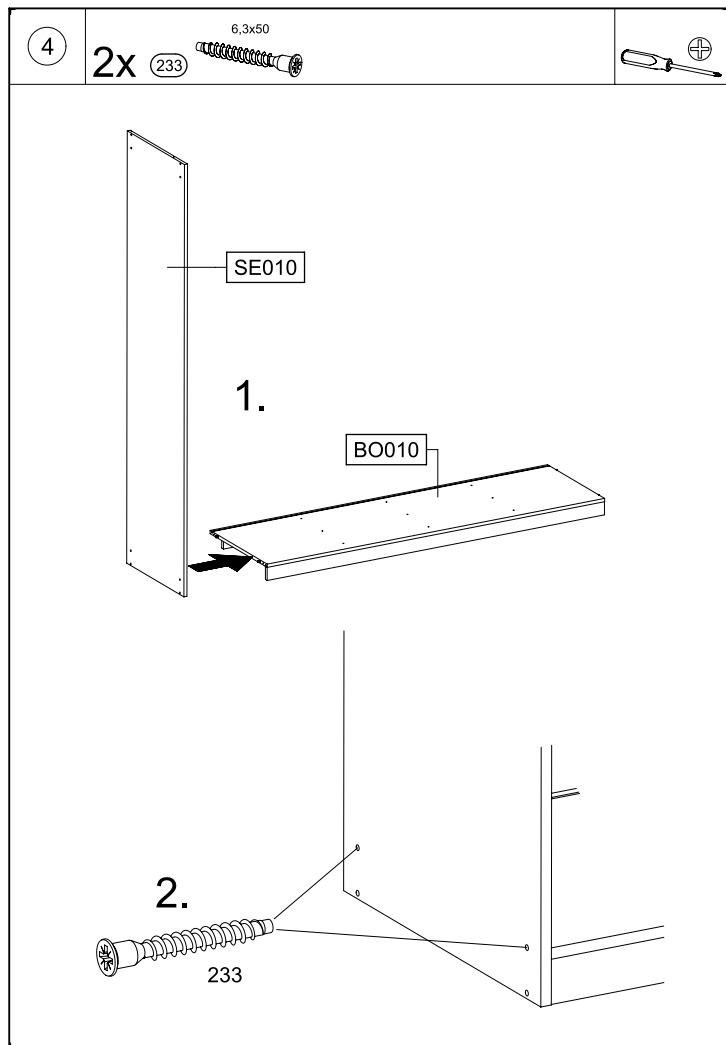
BO010

18

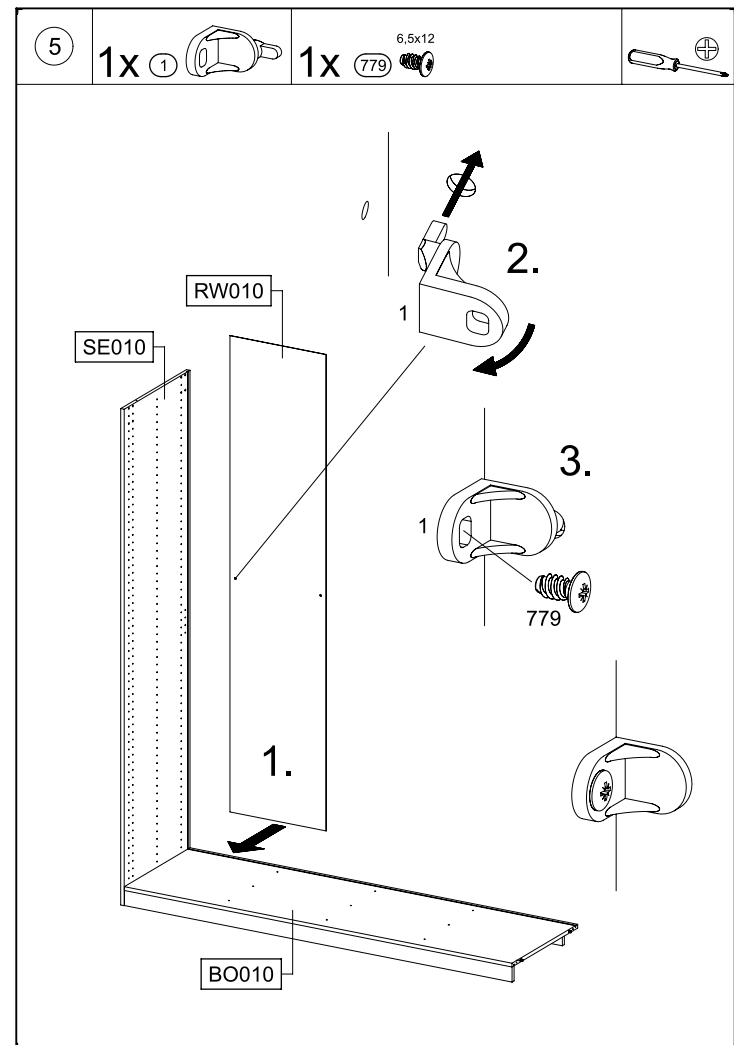




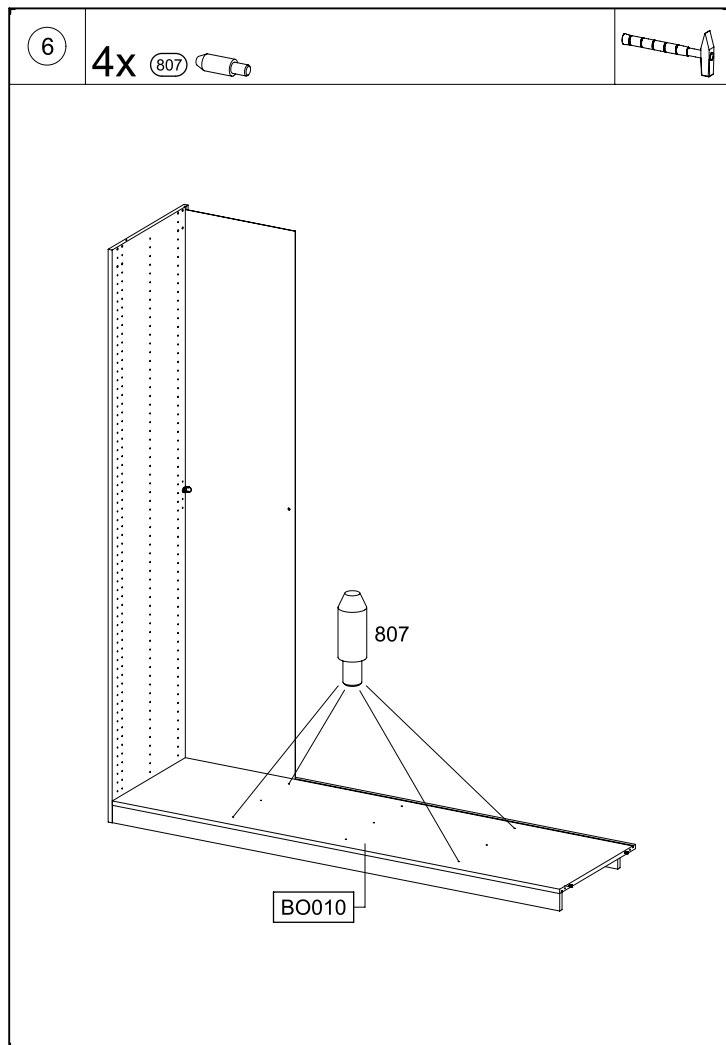




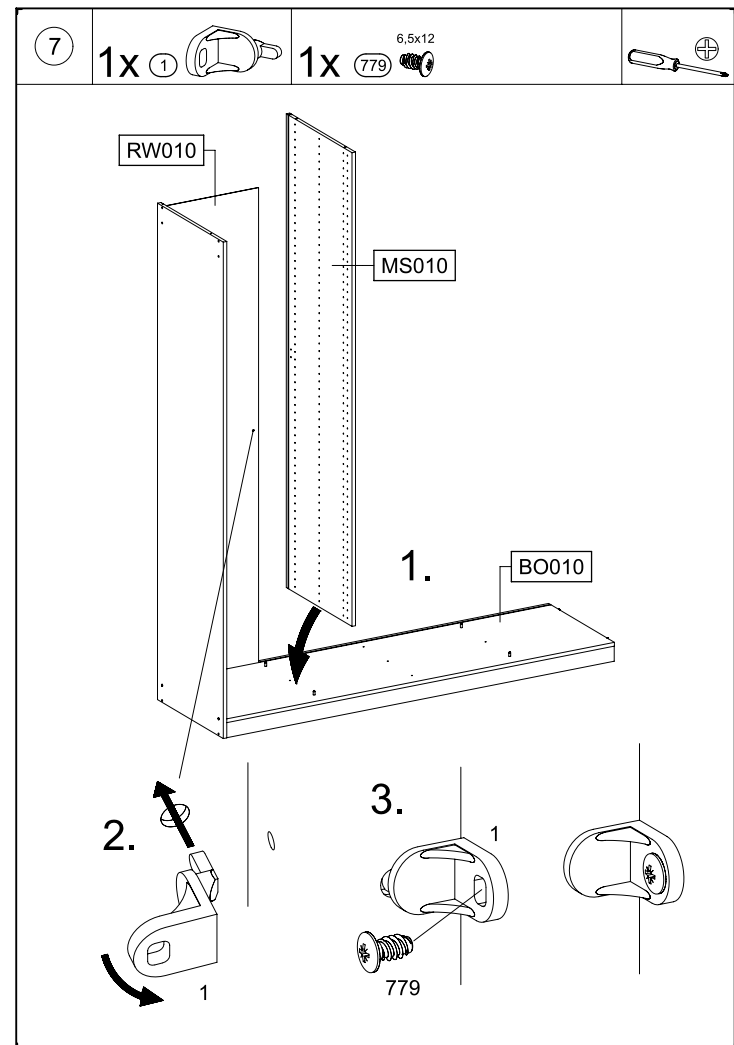
M2914
11.



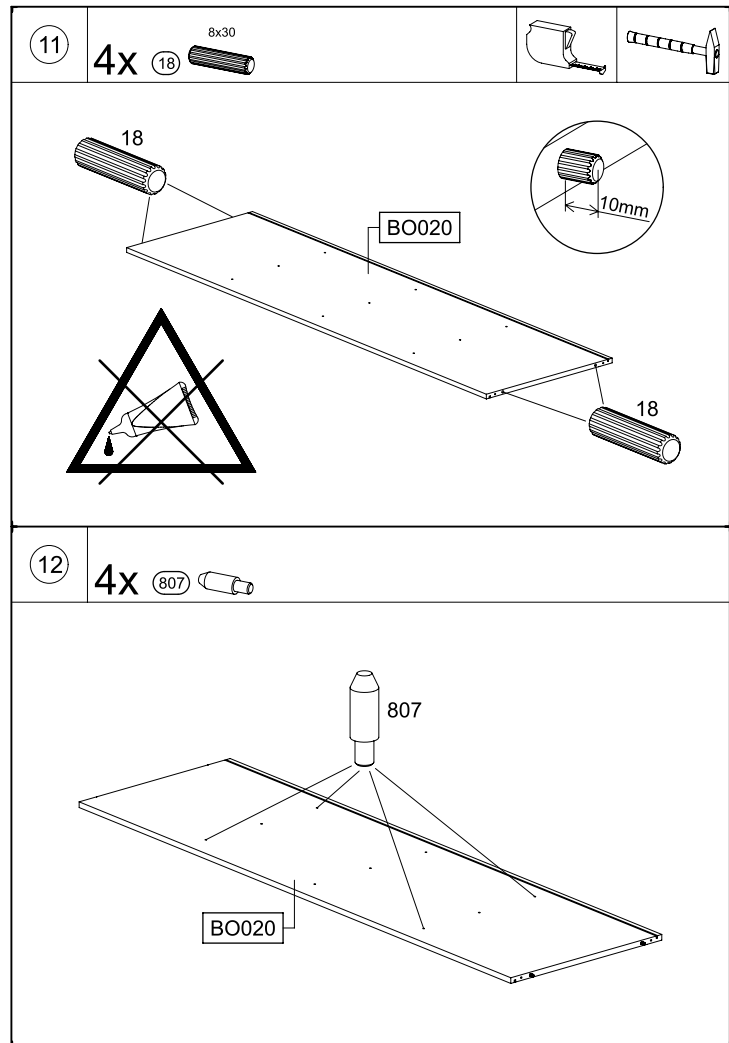
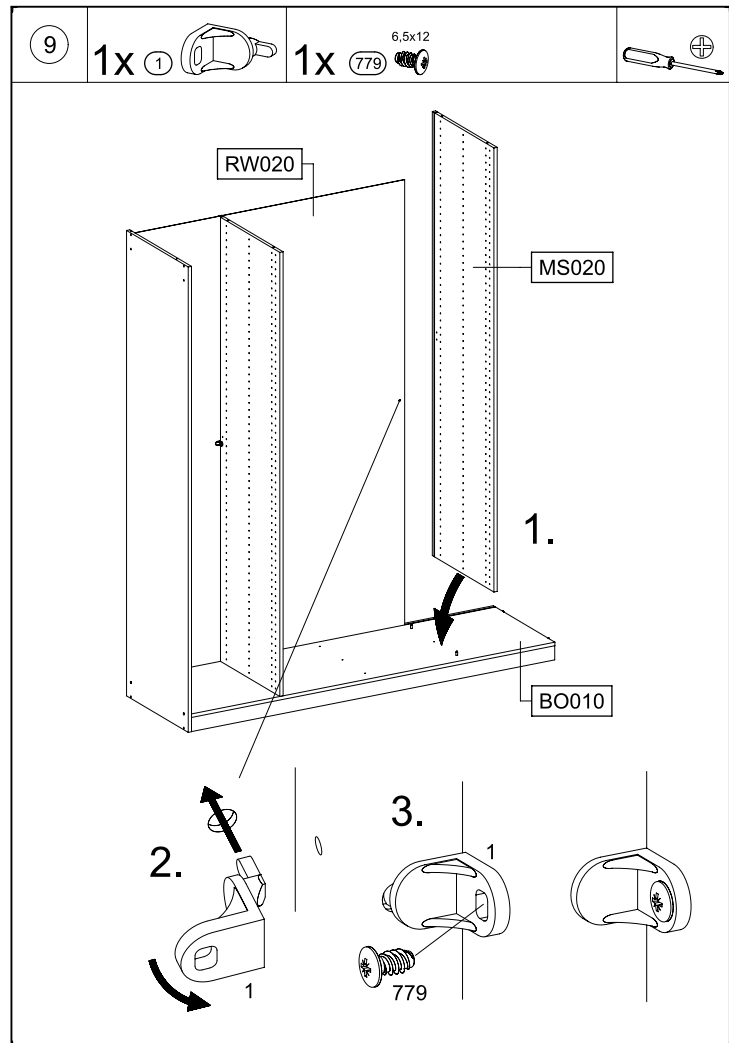
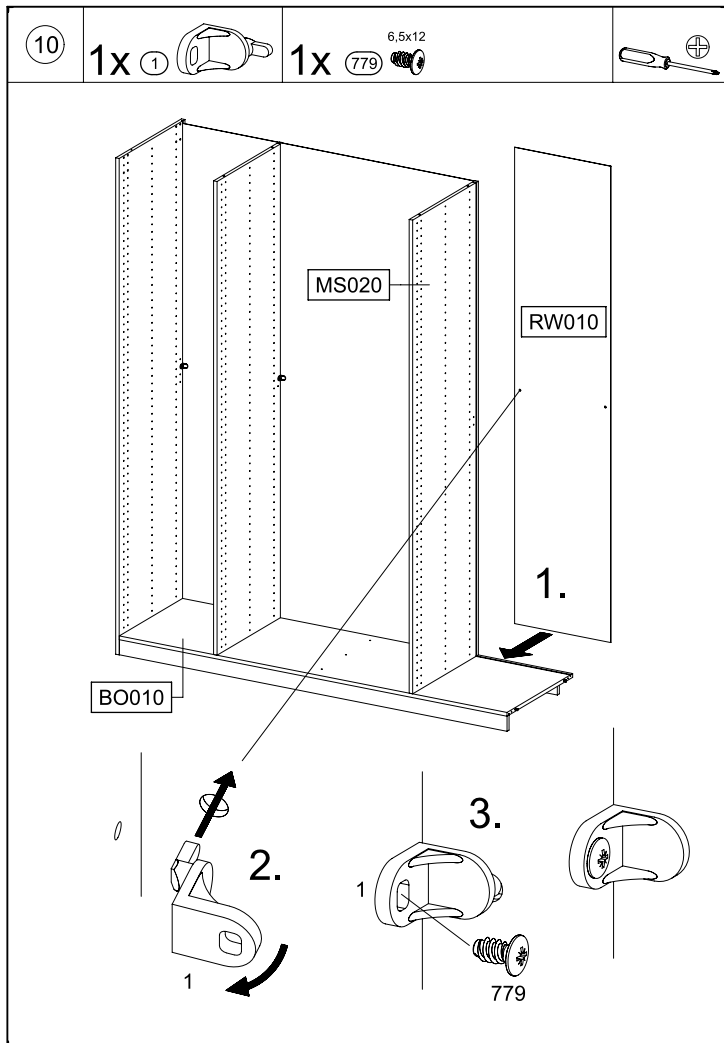
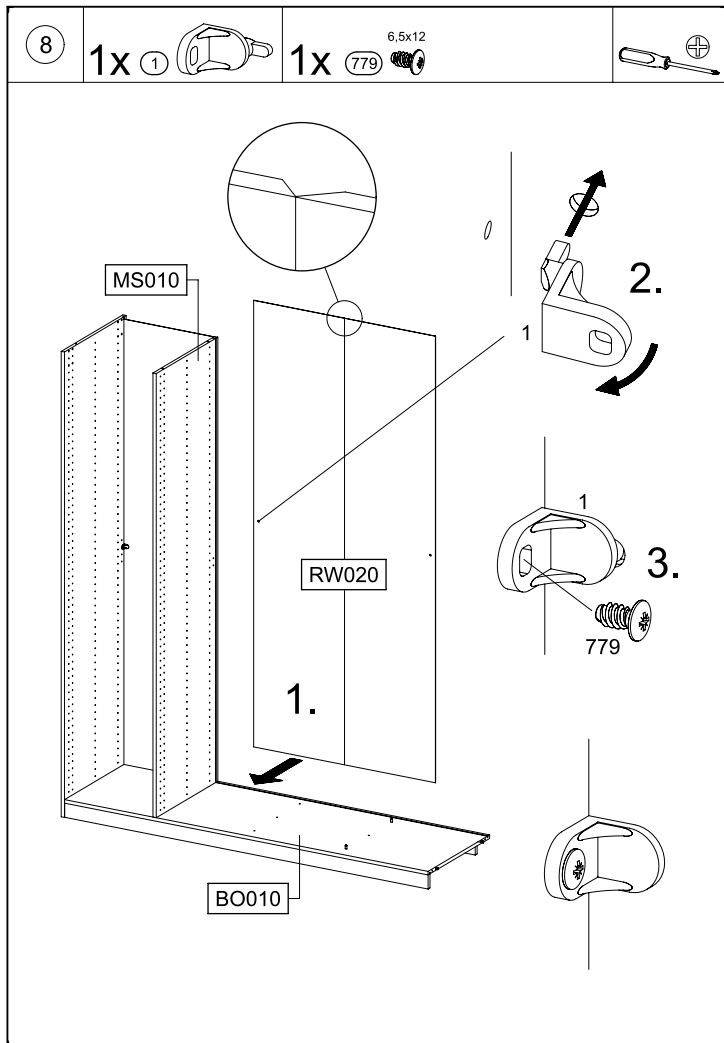
M2914
12.

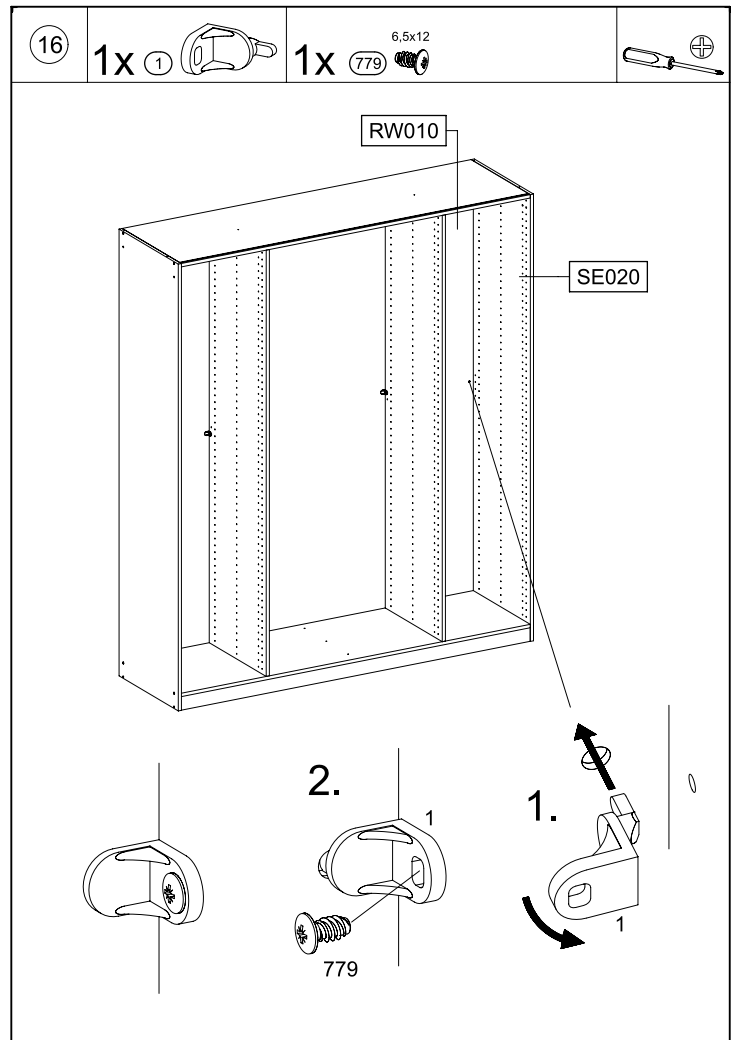
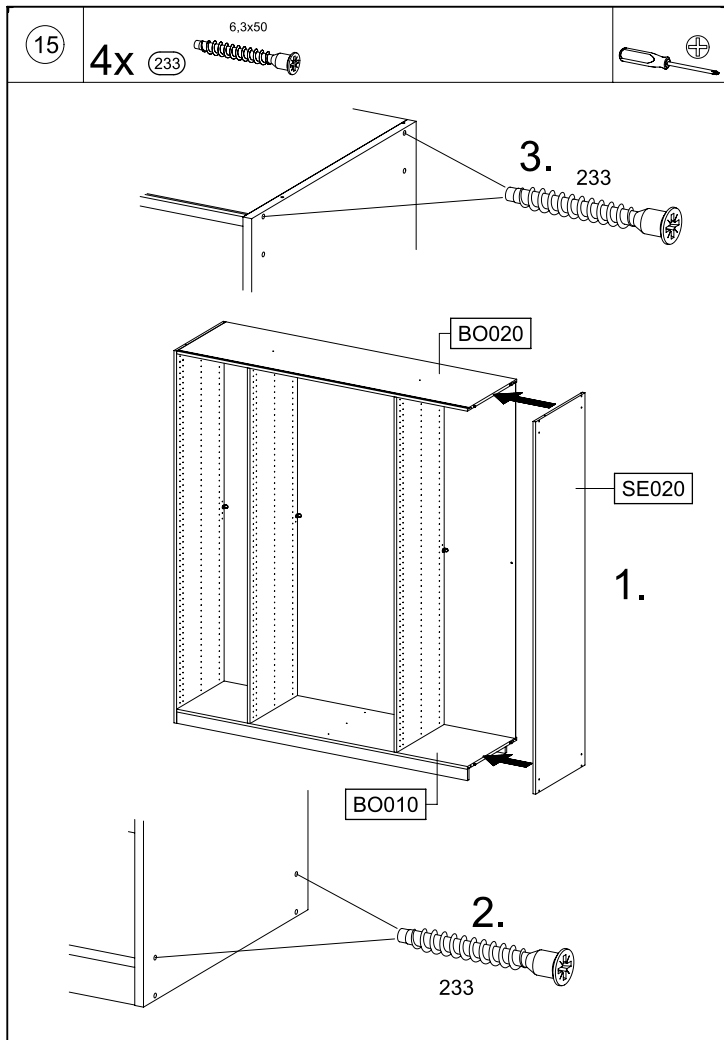
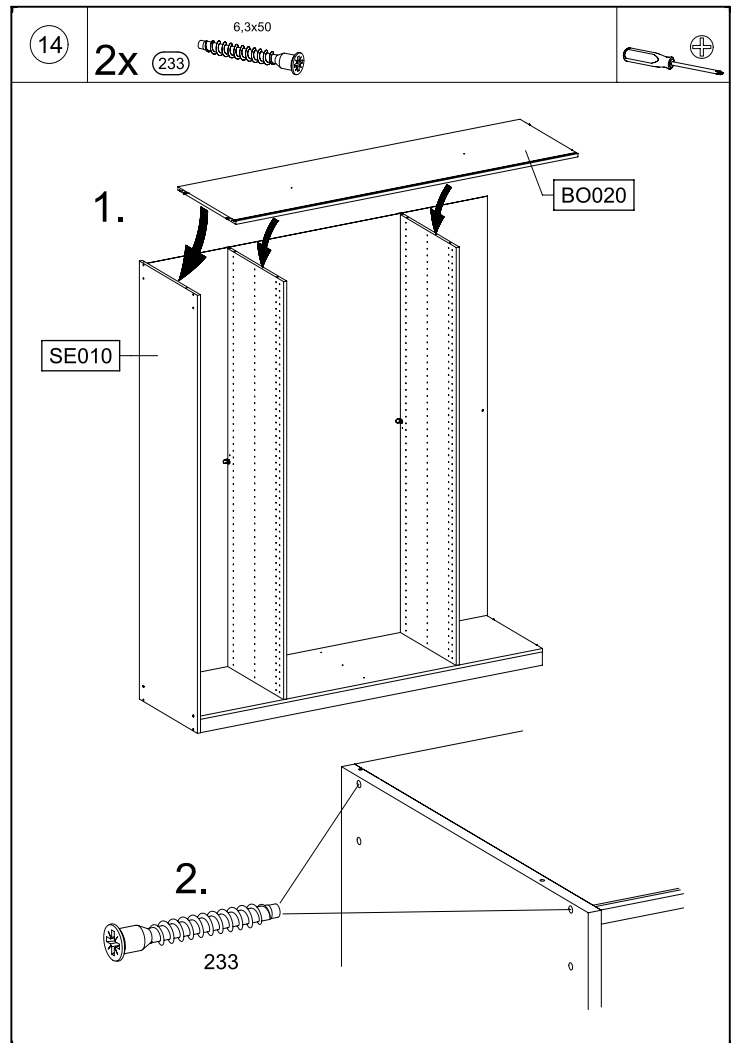
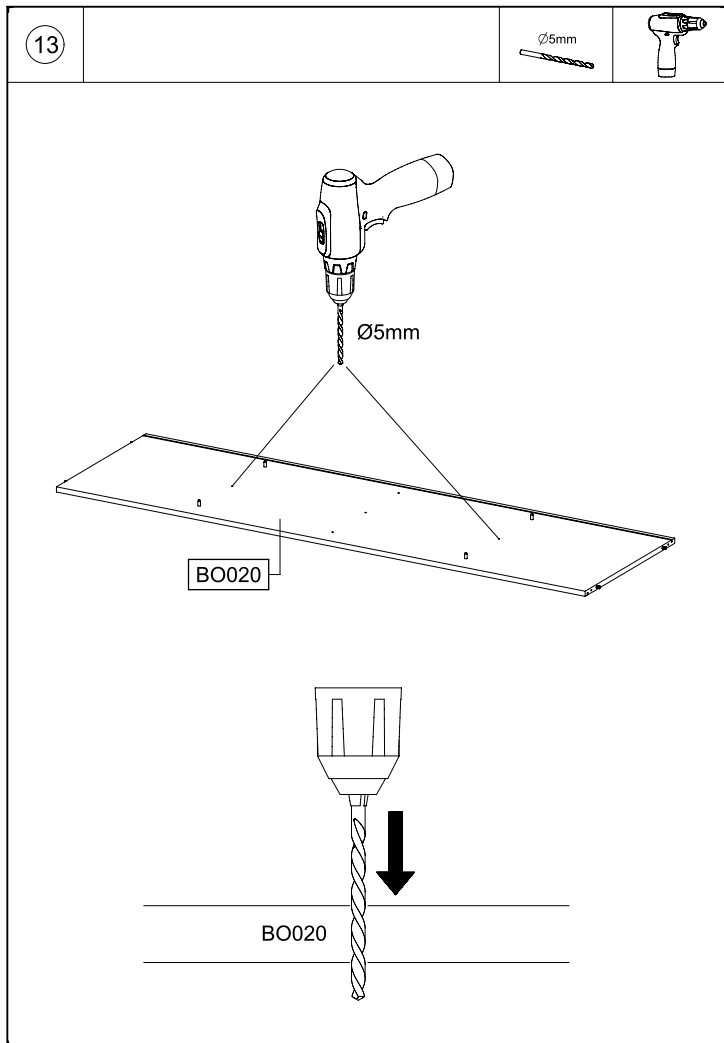


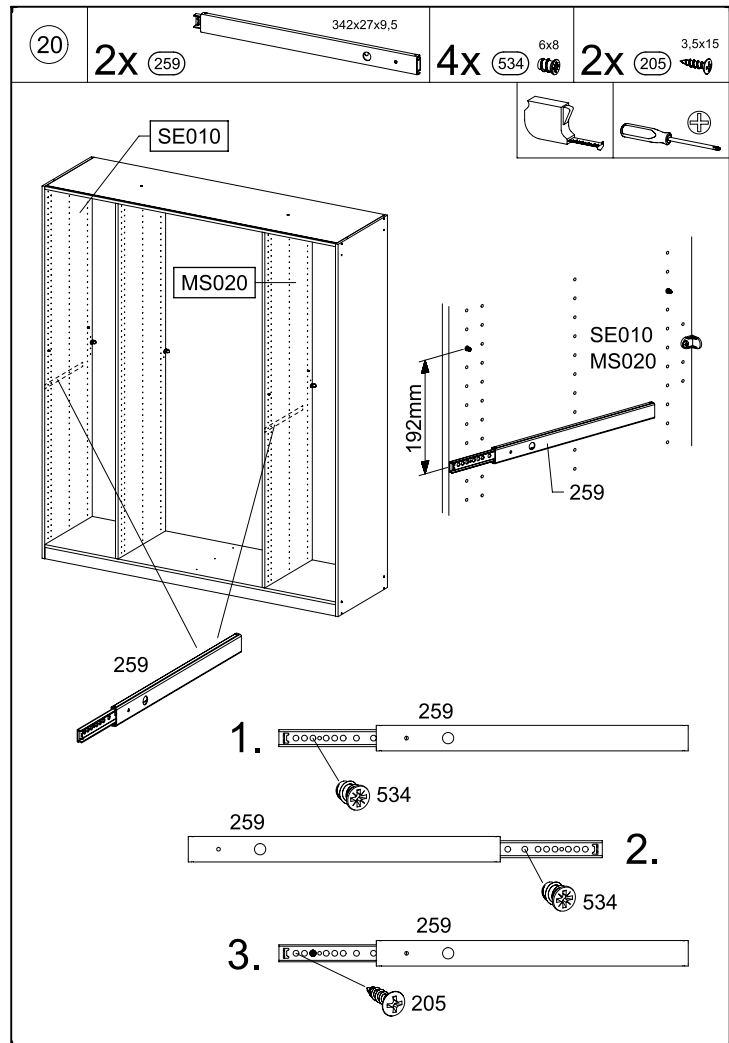
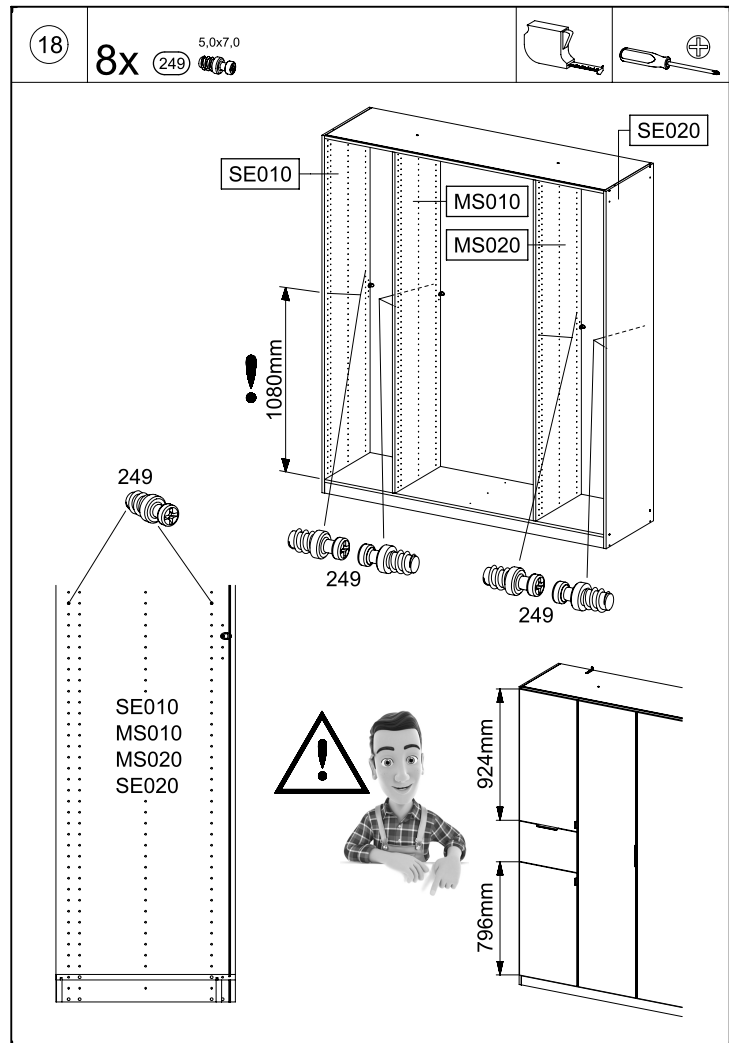
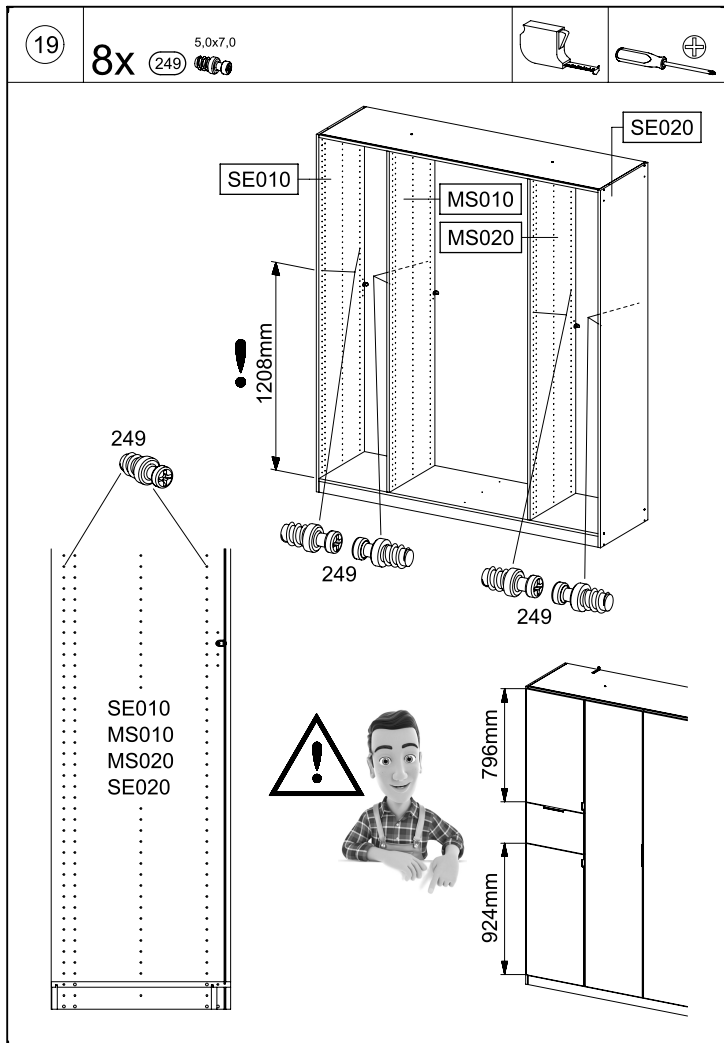
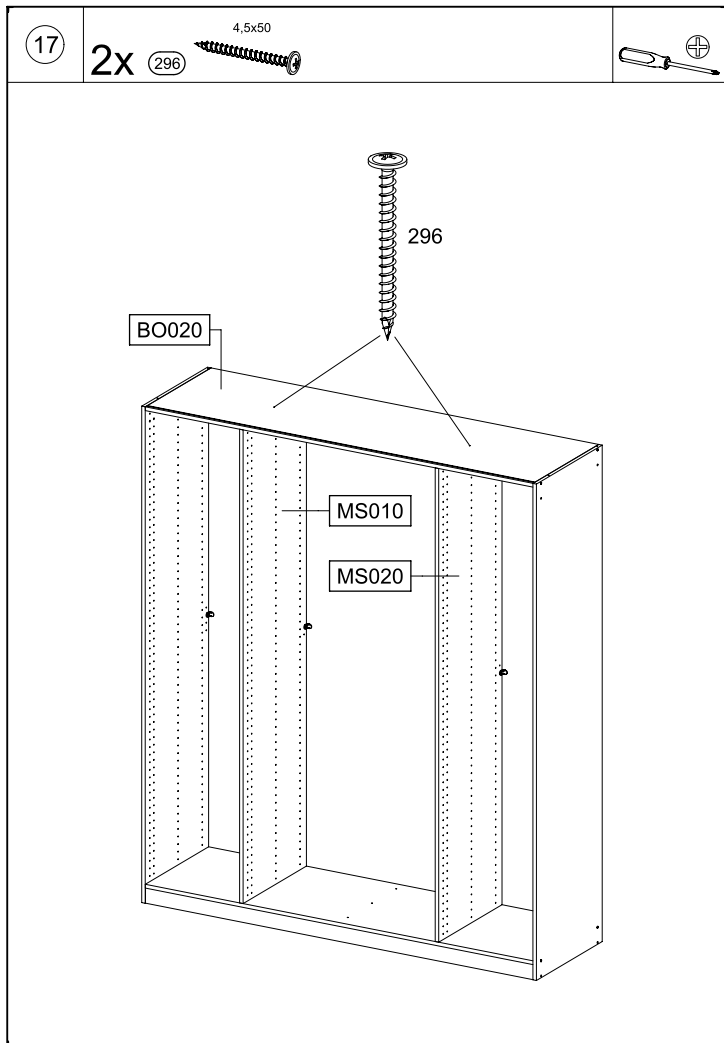
M2914

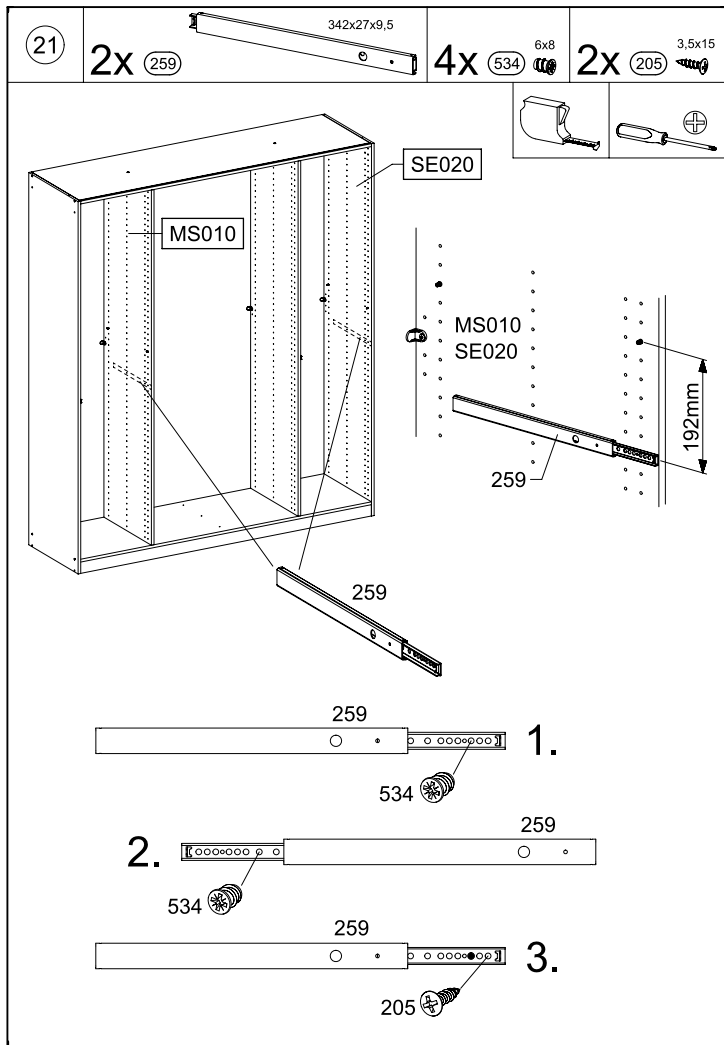


M2914

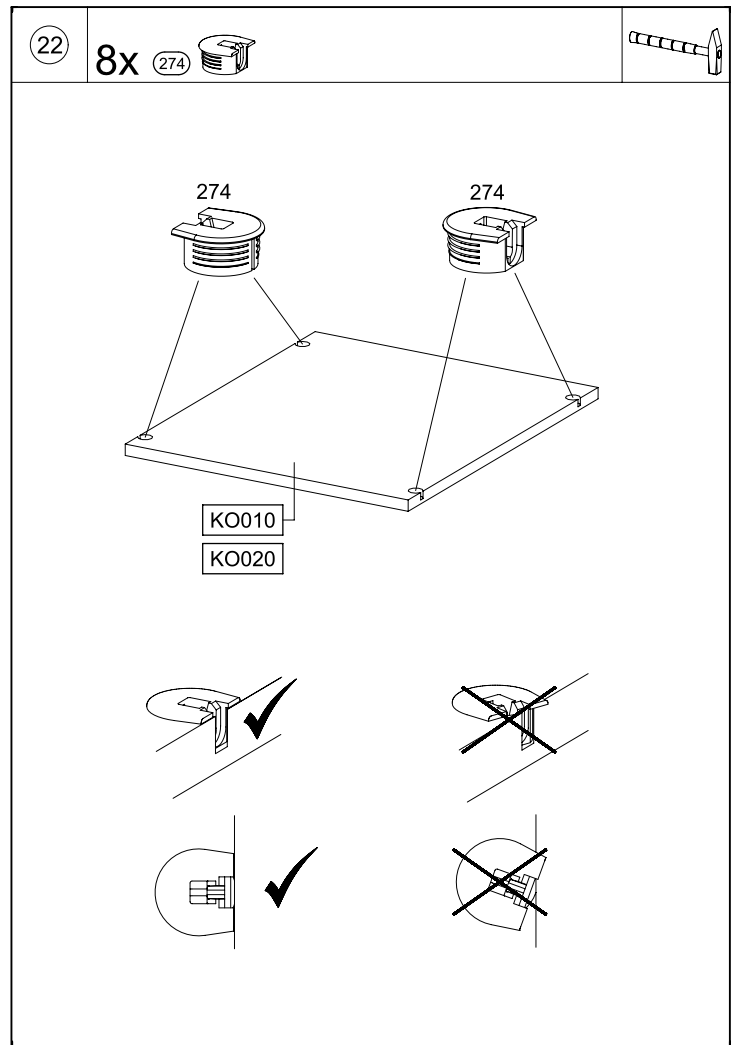




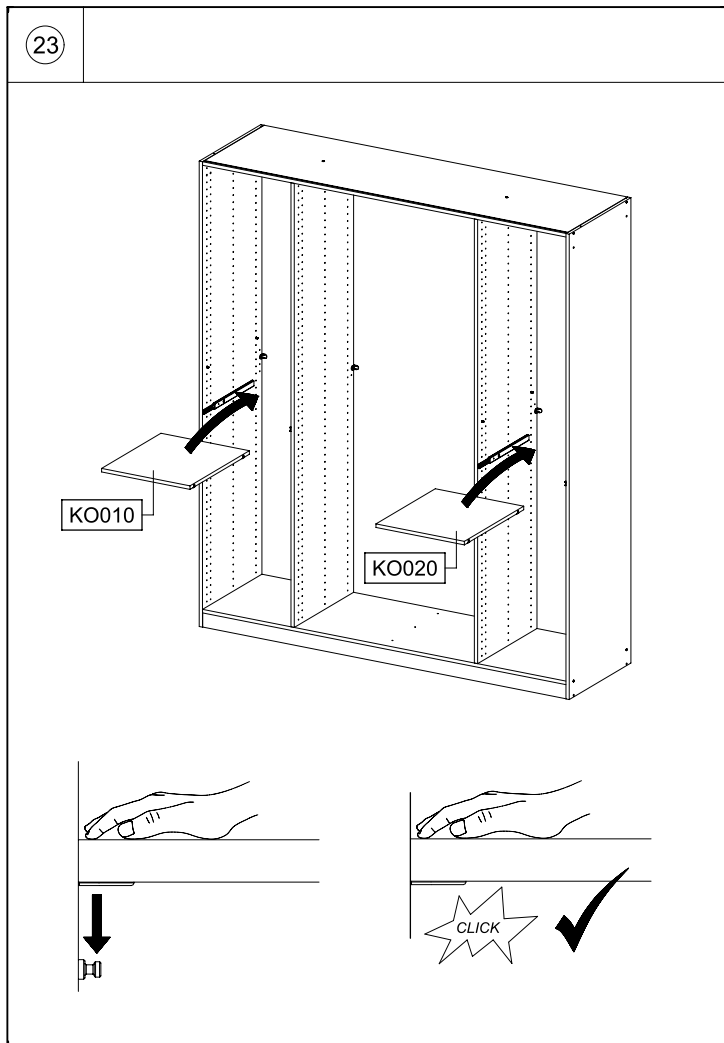




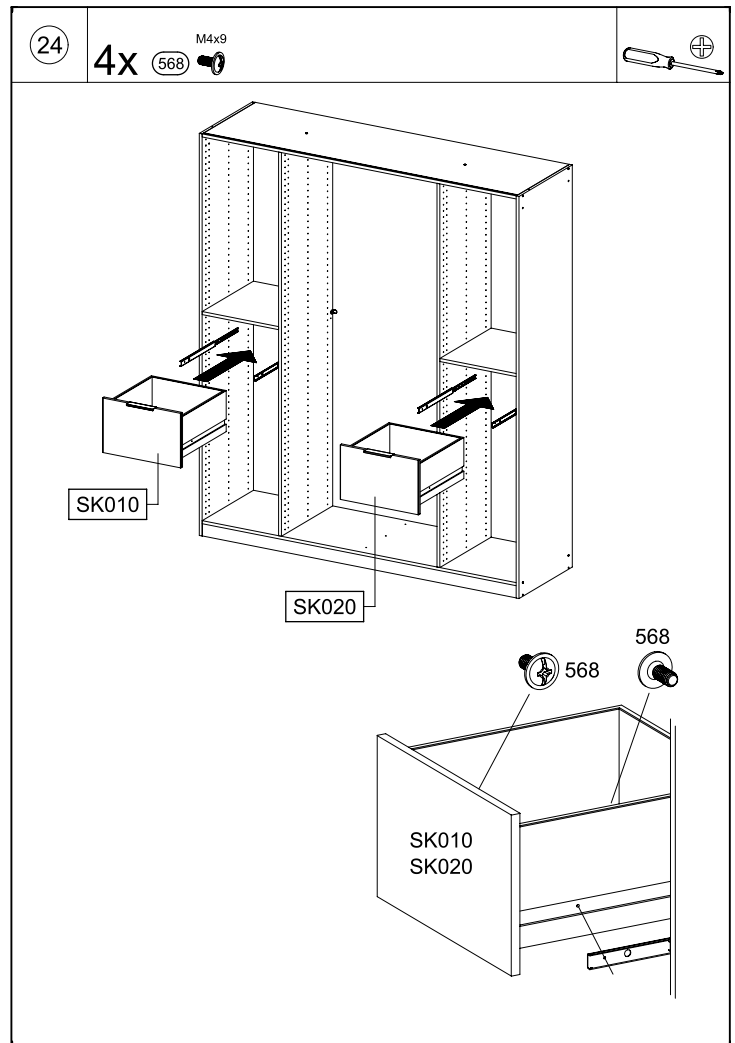
M2914



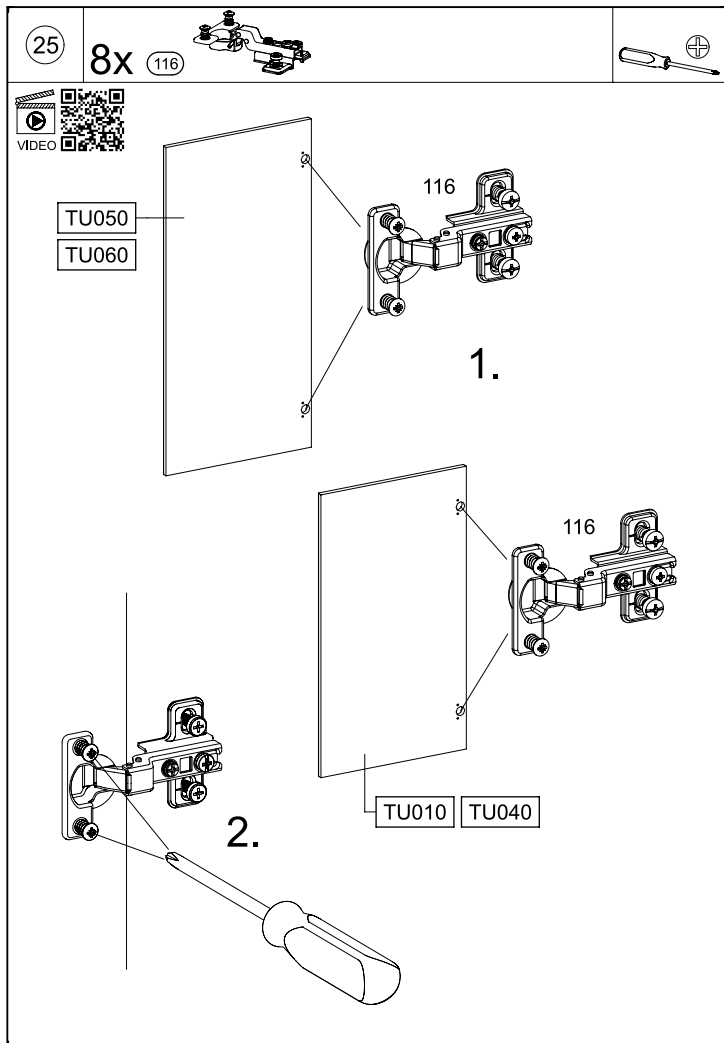
M2914



M2914

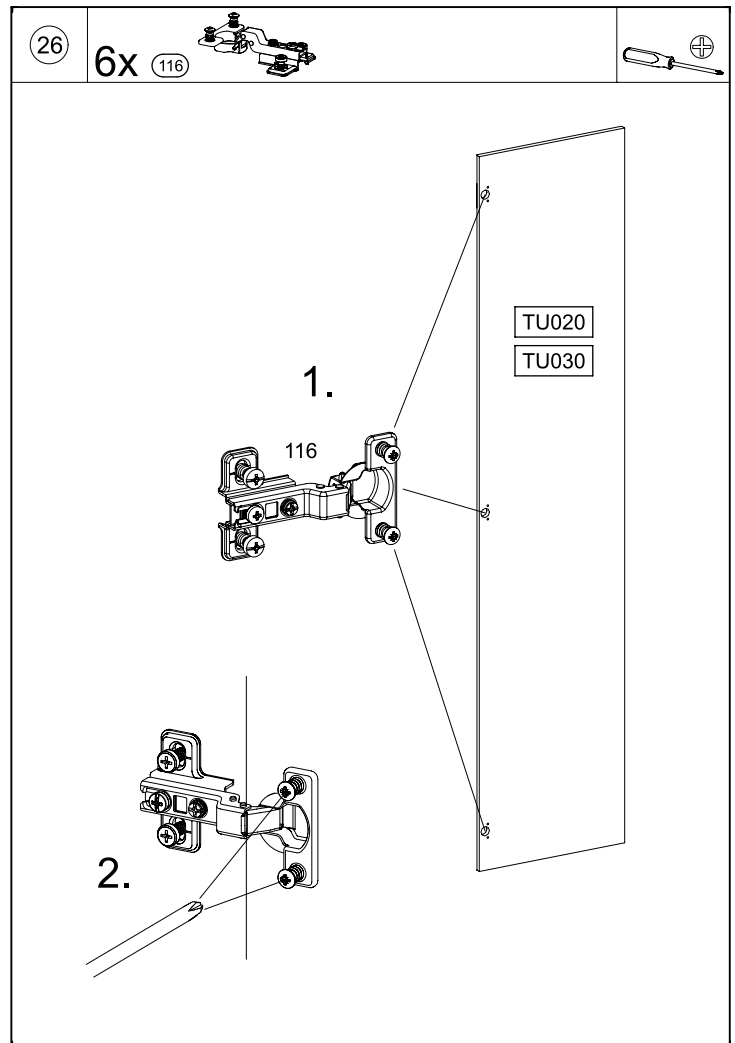


M2914



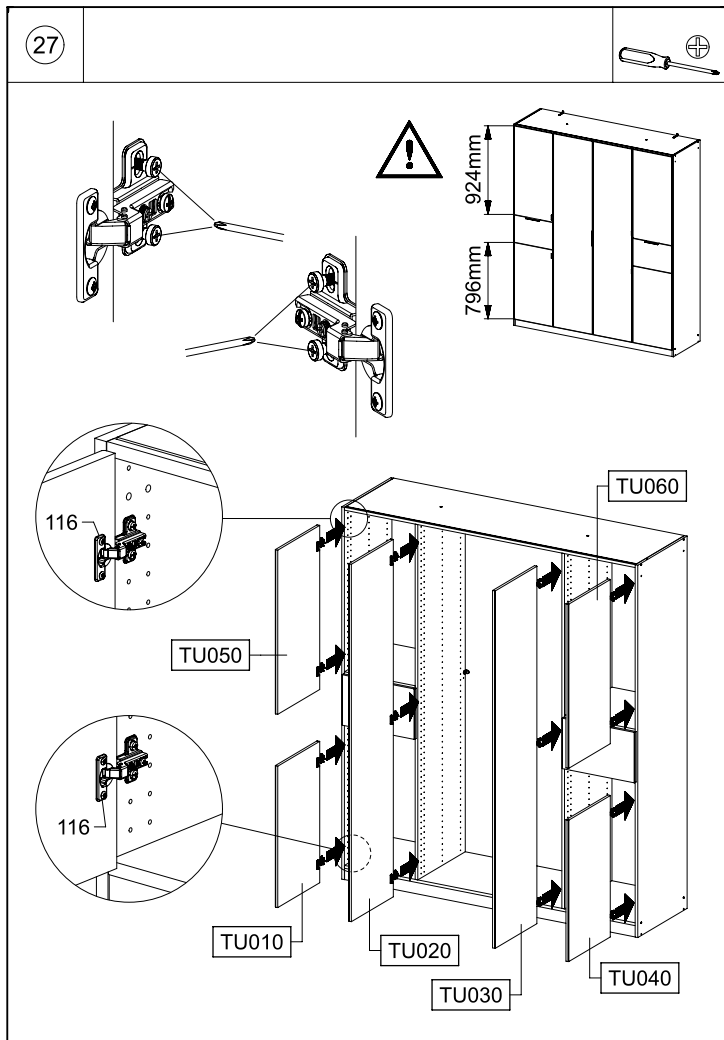
M2914

31.

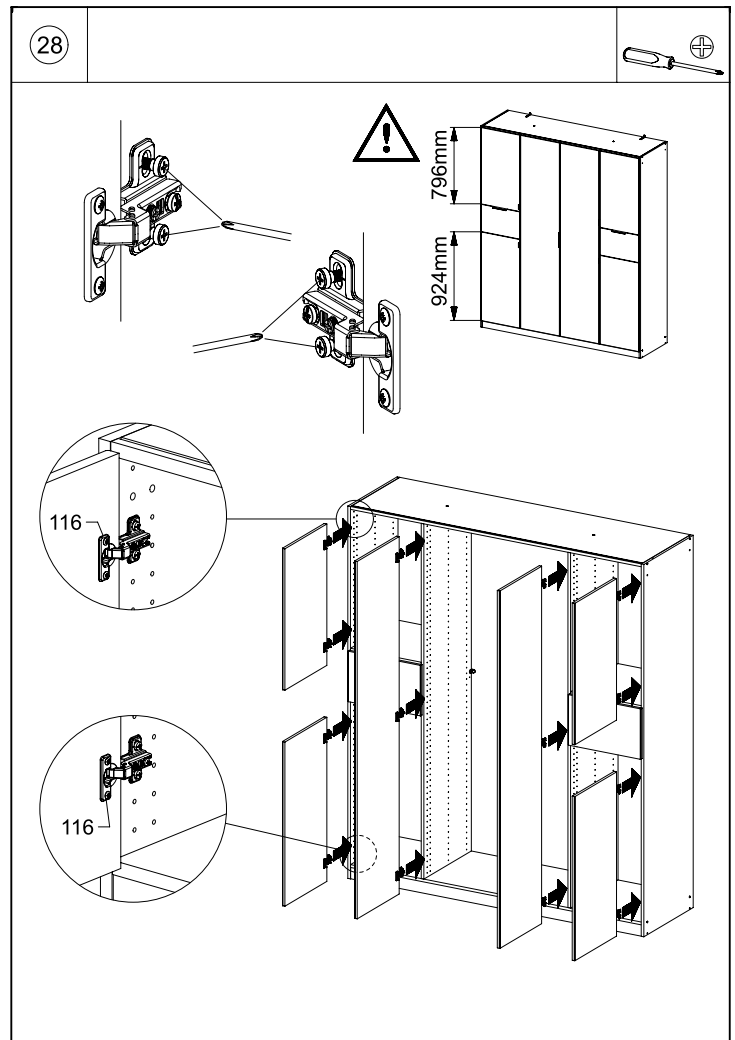


M2914

32.



M2914



M2914

