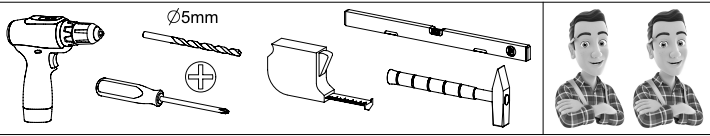
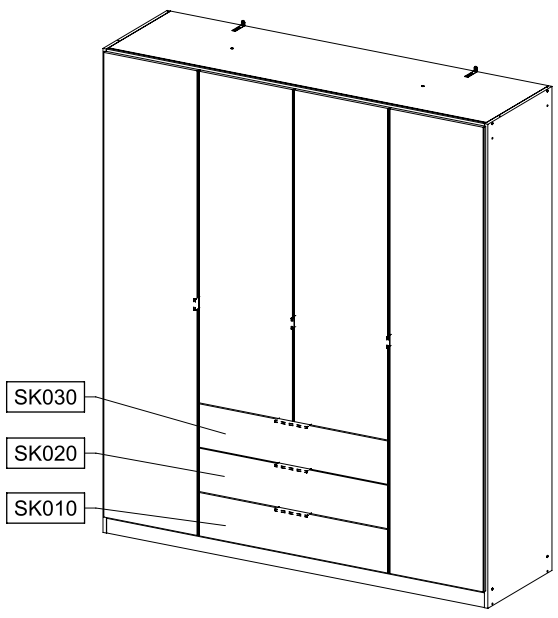
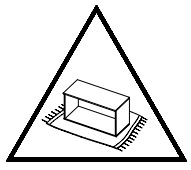


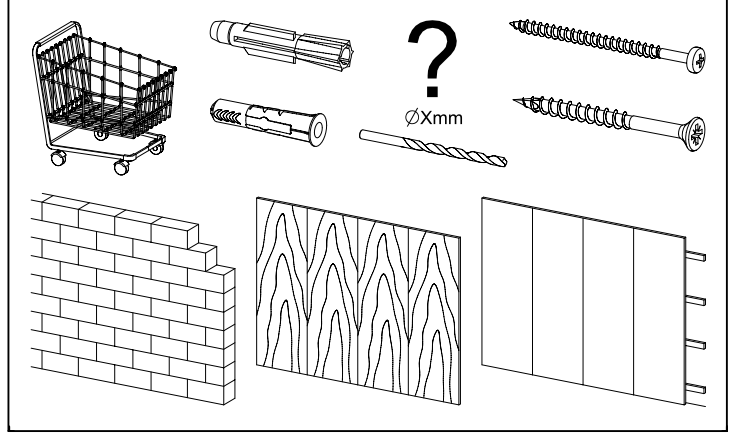
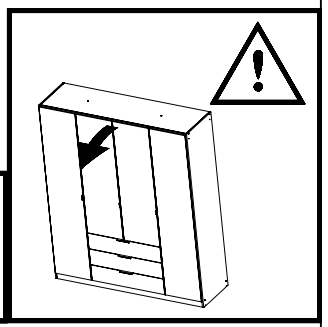
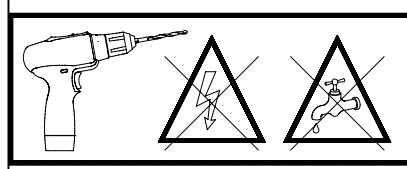
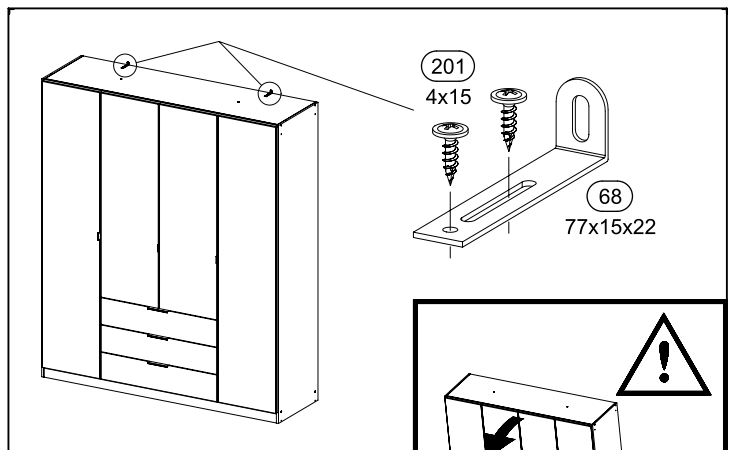
M2885_02



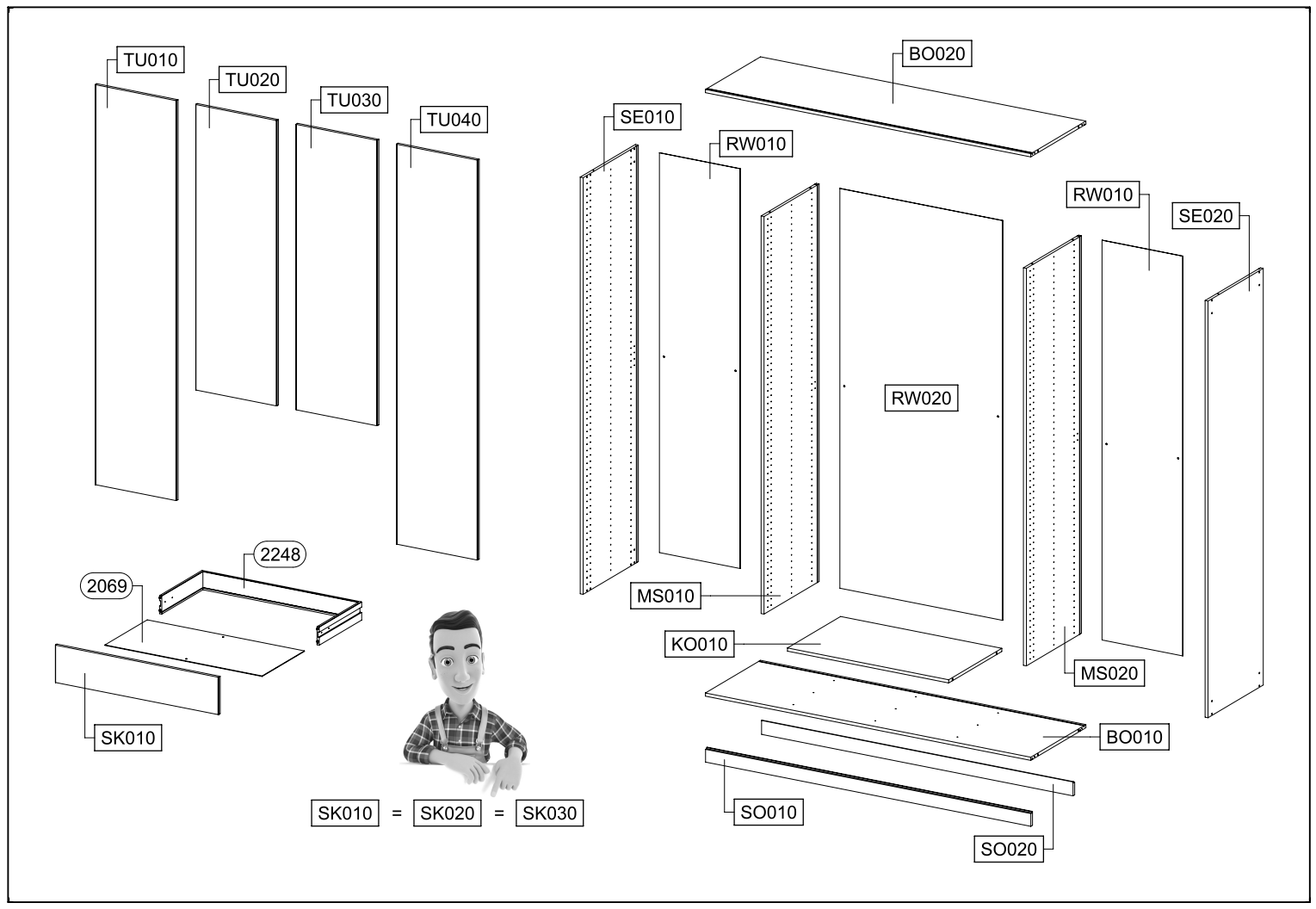
3-4h



M2885



M2885



SK010 = SK020 = SK030

M2885

M2885

6x 1396		4x 5,0x7,0 249
6x 11	 6,5x12 779	8x 233 6,3x50
8x 18	 8x30	12x 534 6x8
6x 568	2x 296 4,5x50	8x 807
6x 201	12x 116	12x 1
2x 12	4x 274	1x RE010

M2885

2

1.

2.

3.

4.

Xmm = Xmm

M2885

1

11

SO010
SO020

SO010
SO020

SO010
SO020

BO010

SO010
SO020

BO010

M2885

3 **6x** **1**

6x **201**

4x15

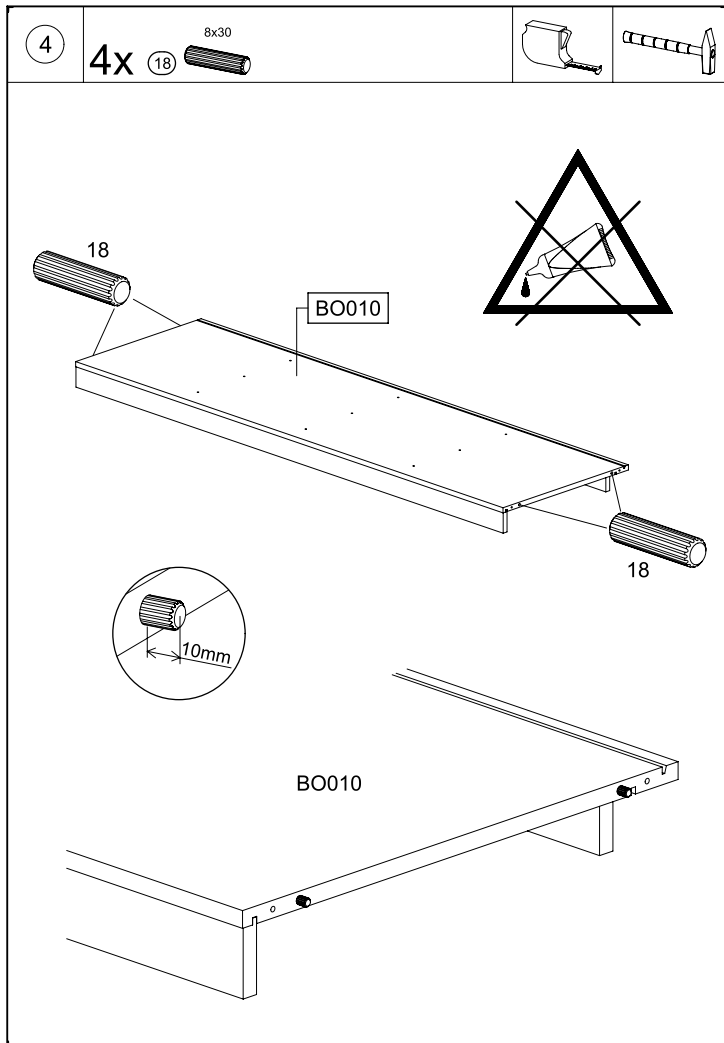
SK010
SK020
SK030

1.

2.

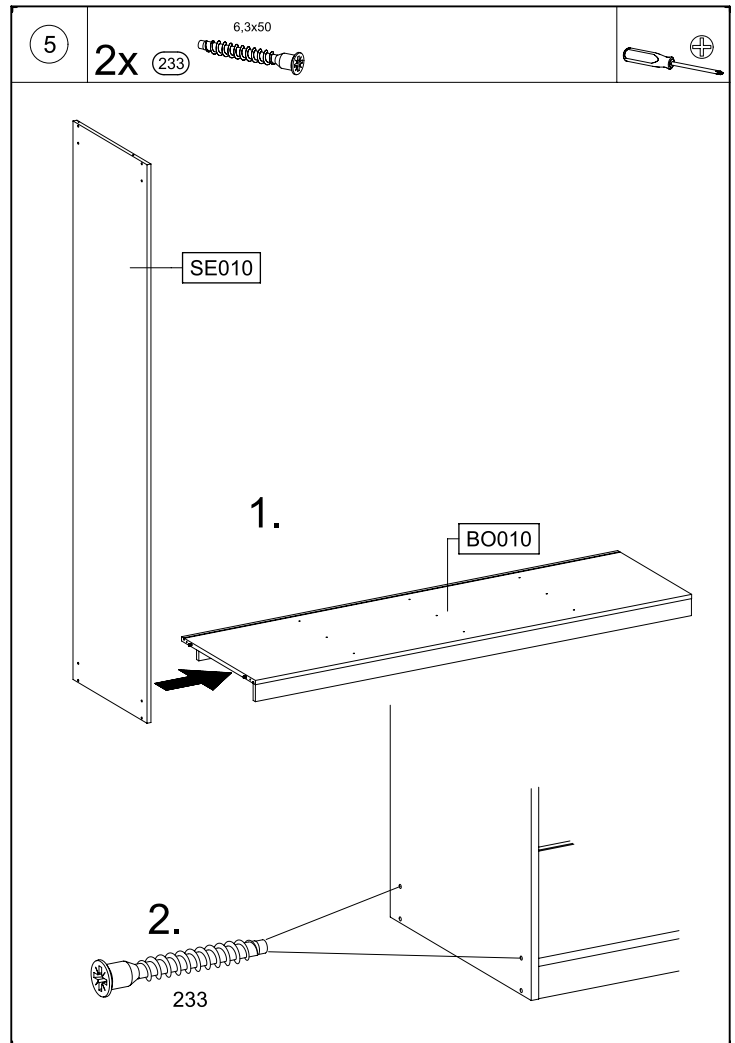
201

M2885



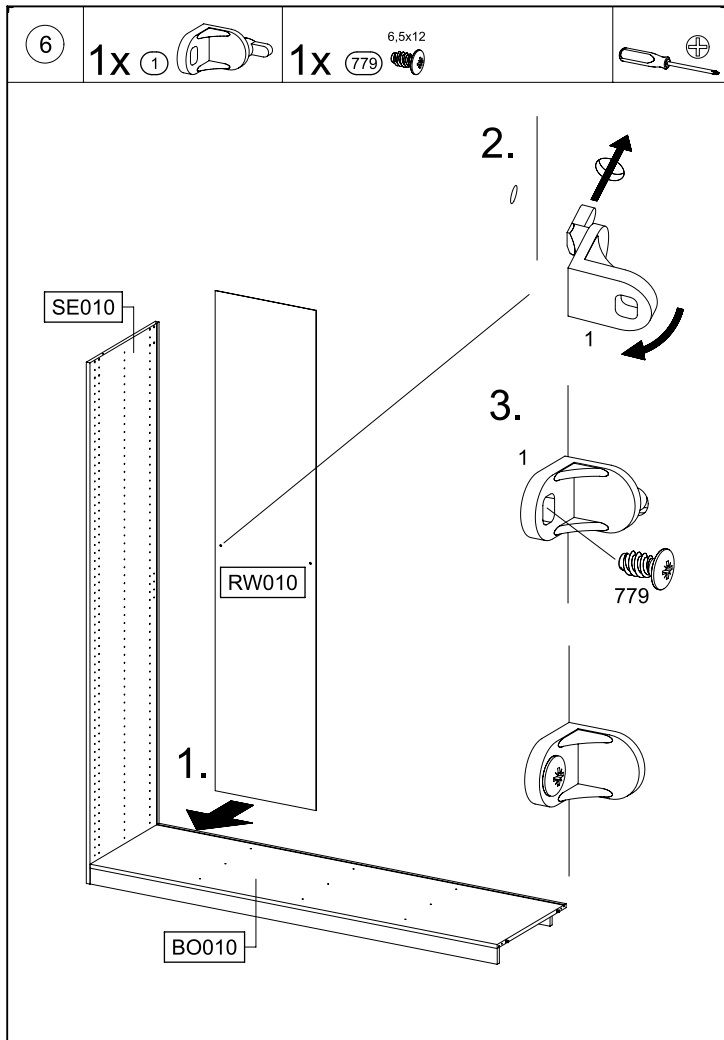
M2885

11.

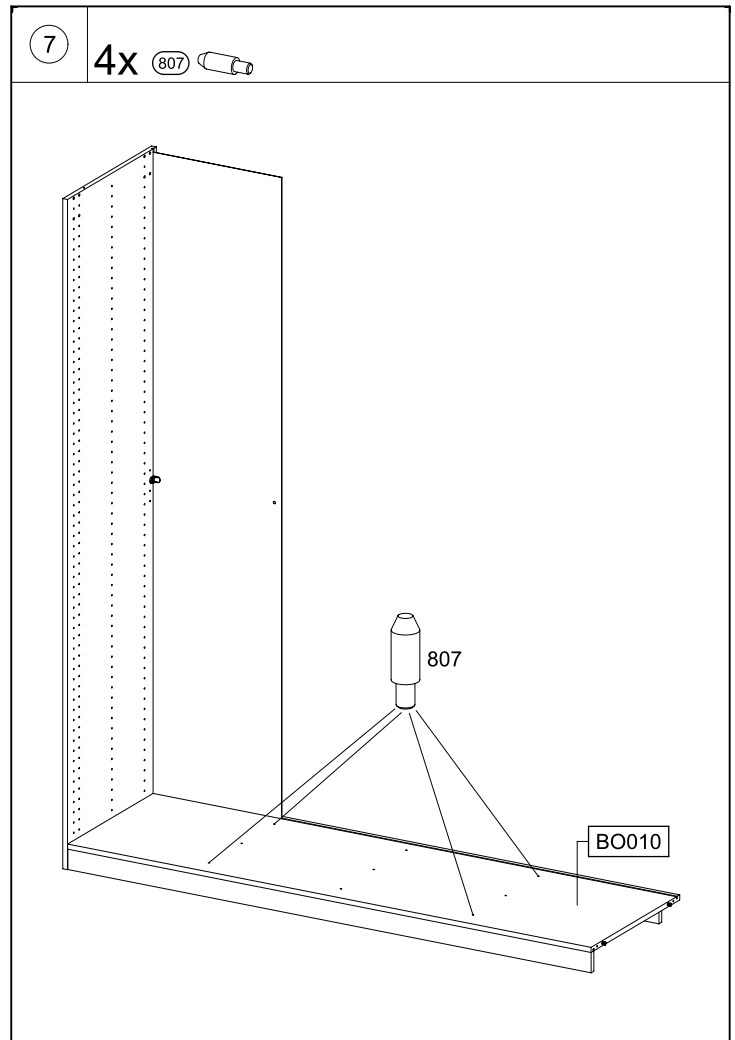


M2885

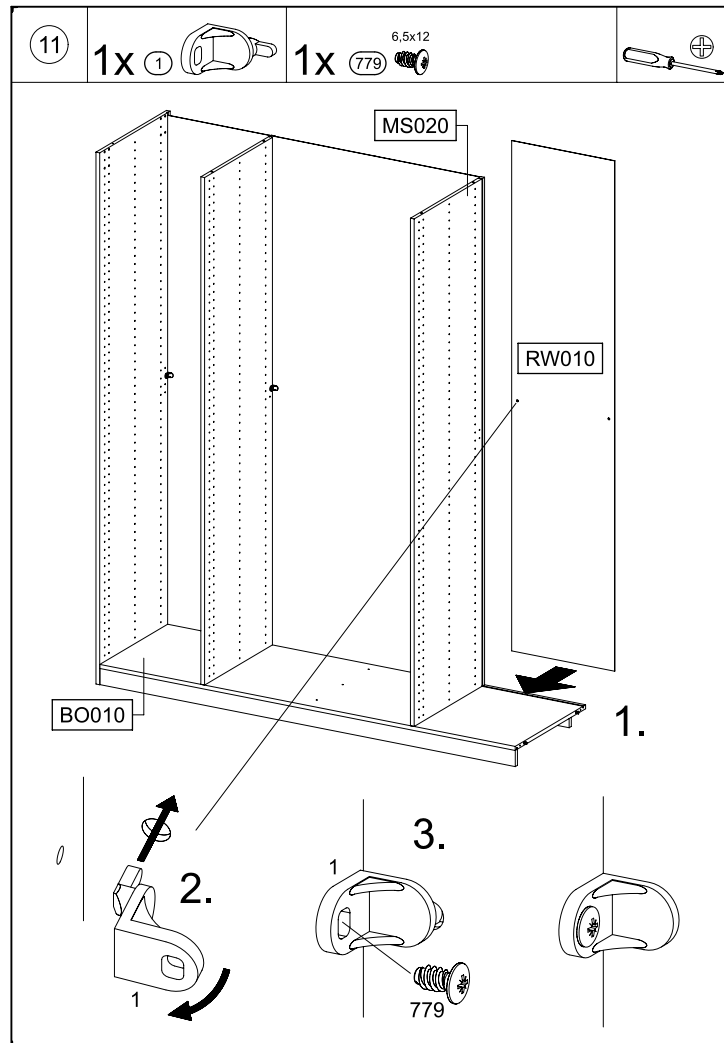
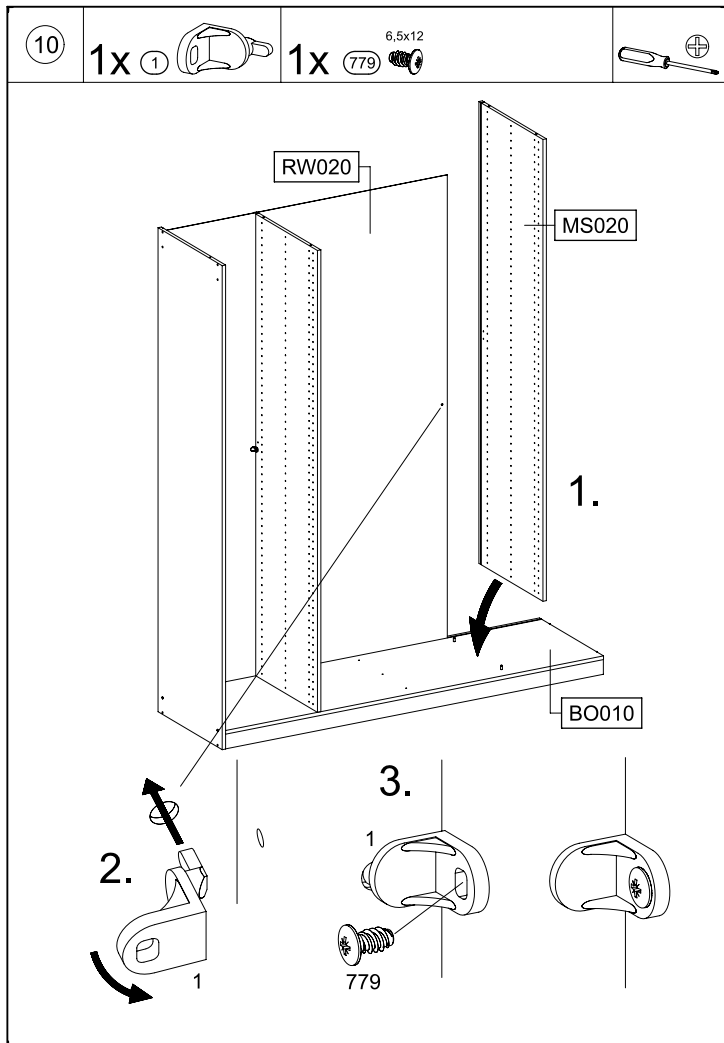
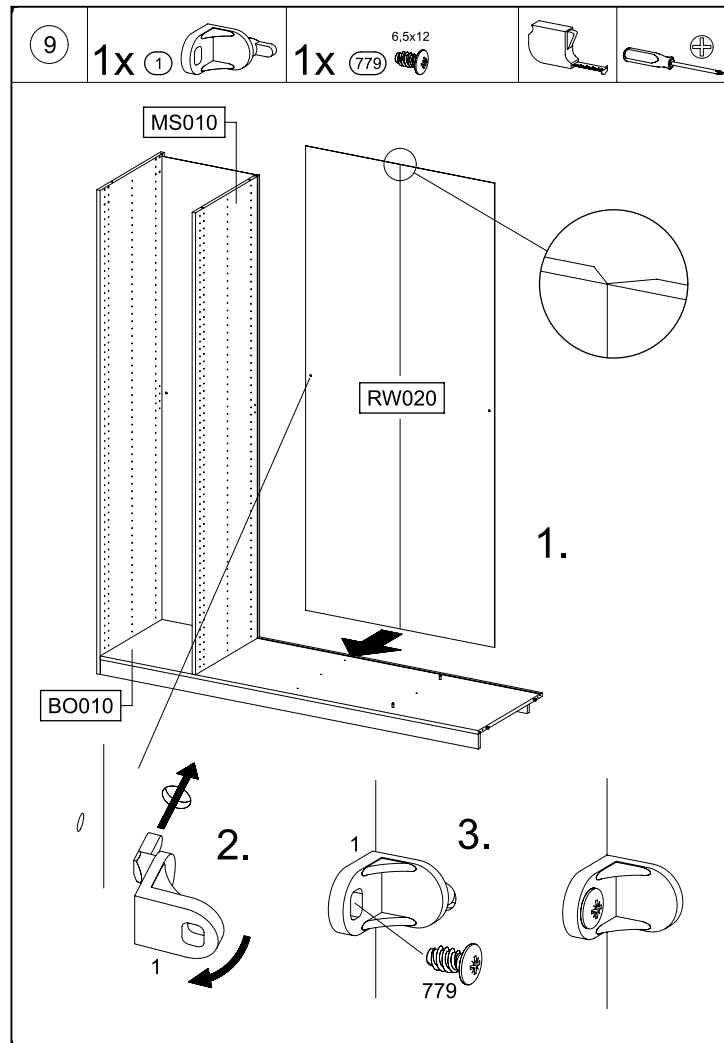
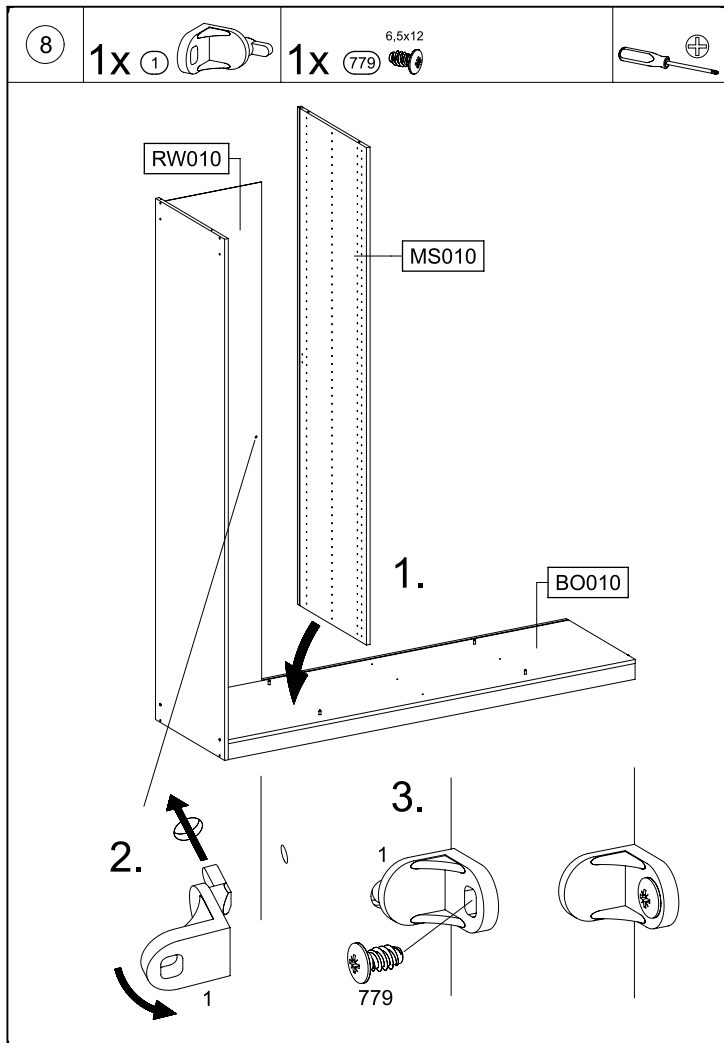
12.

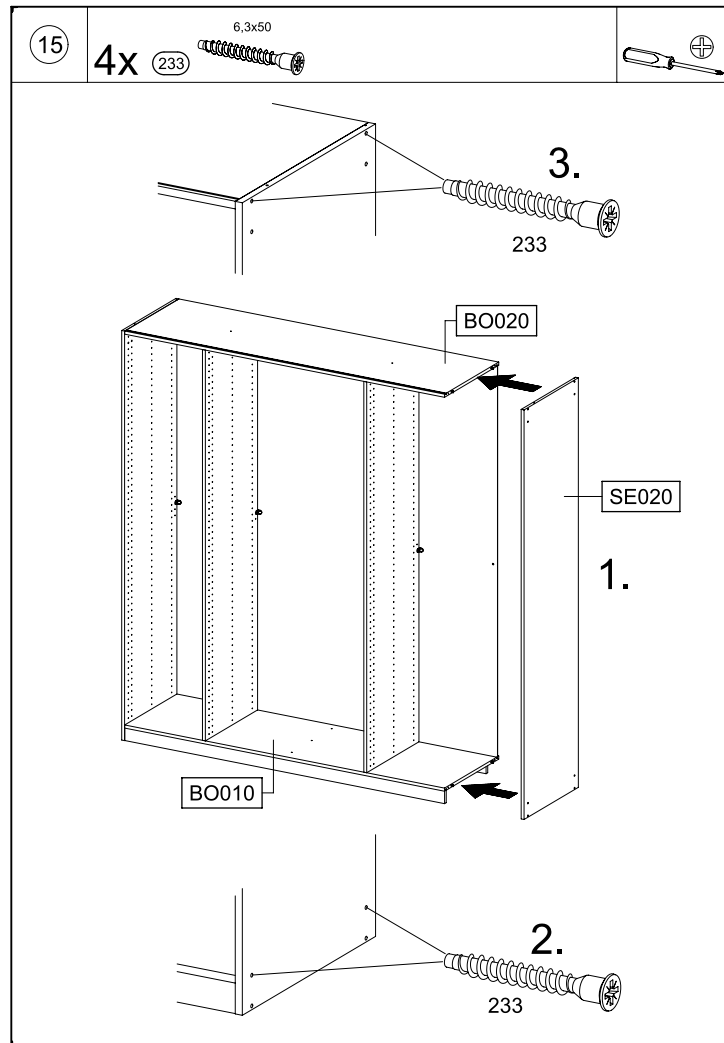
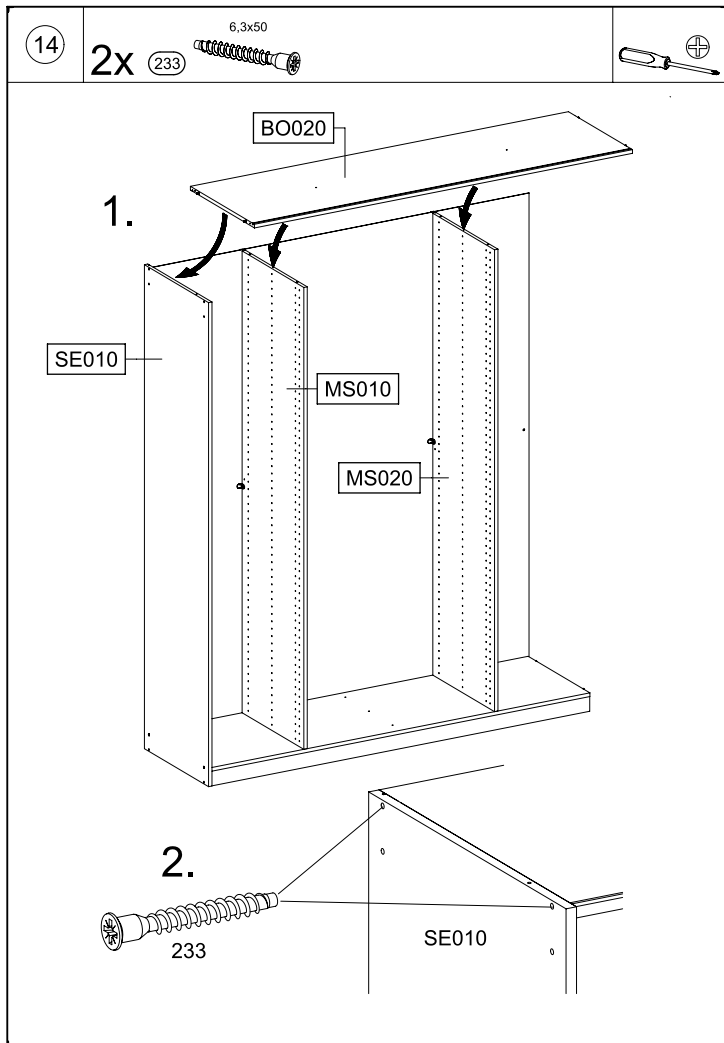
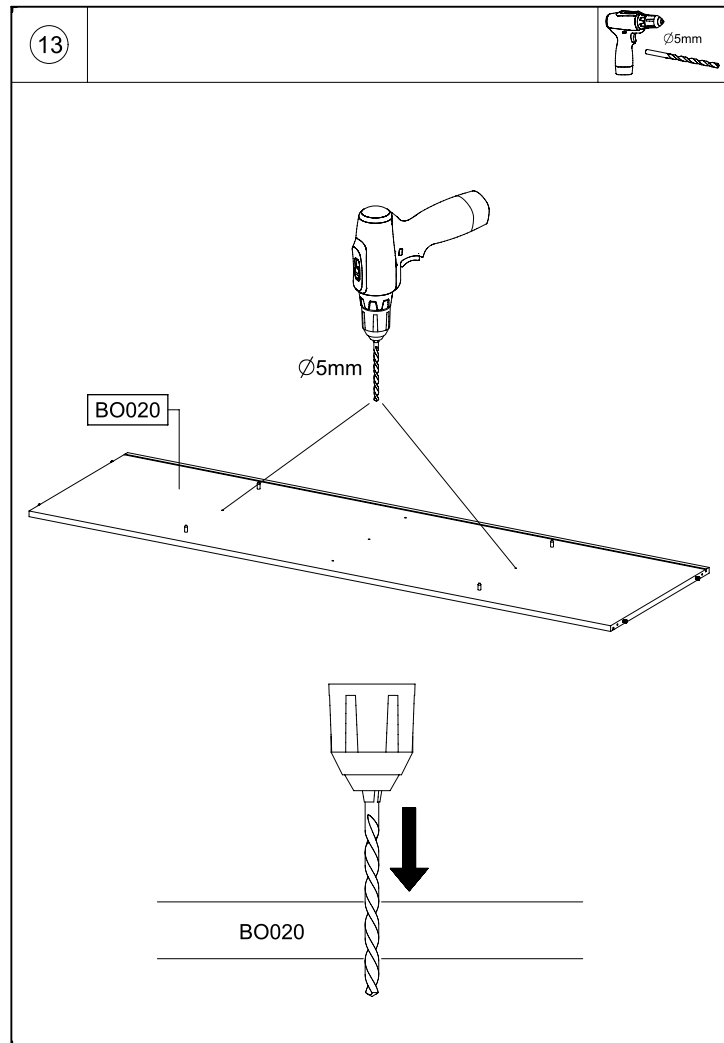
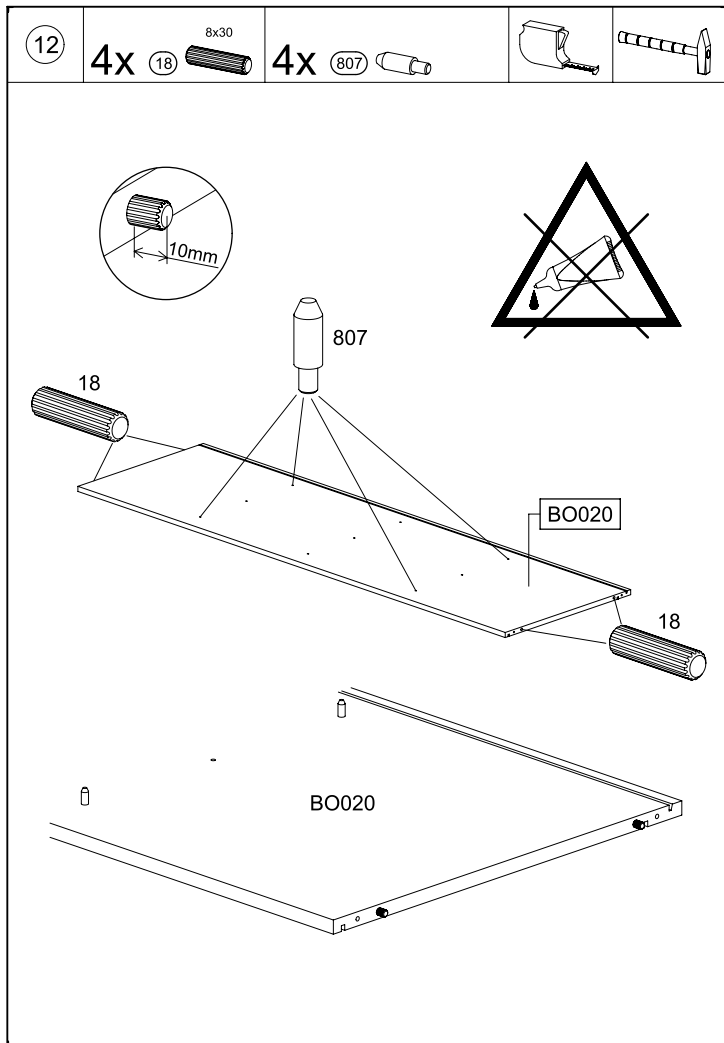


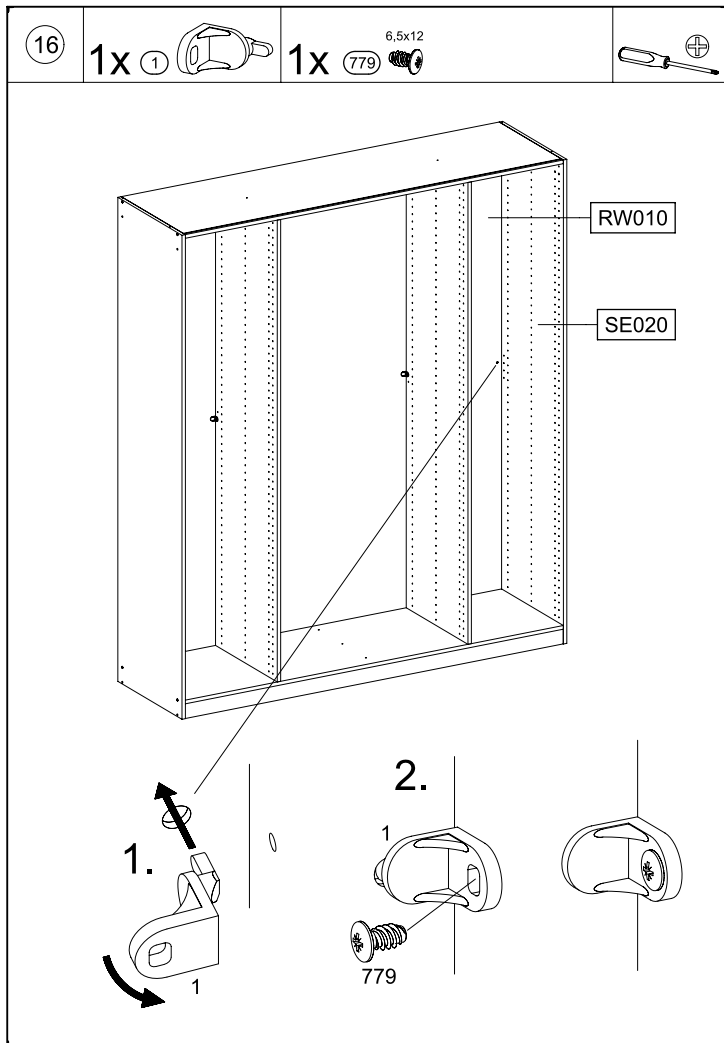
M2885



M2885

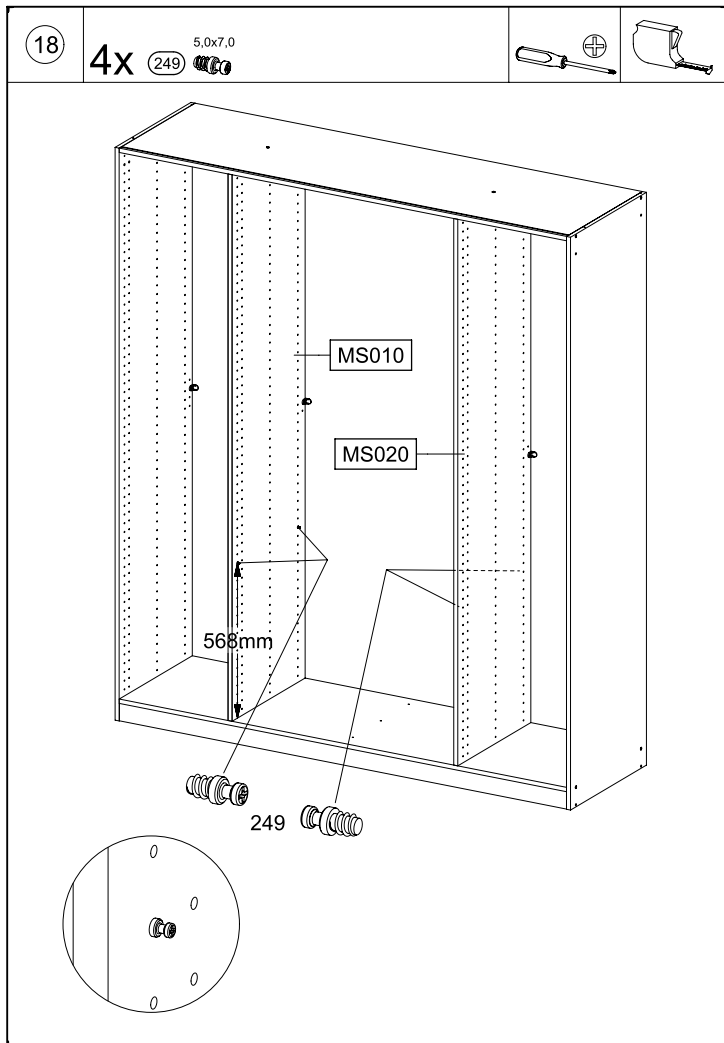




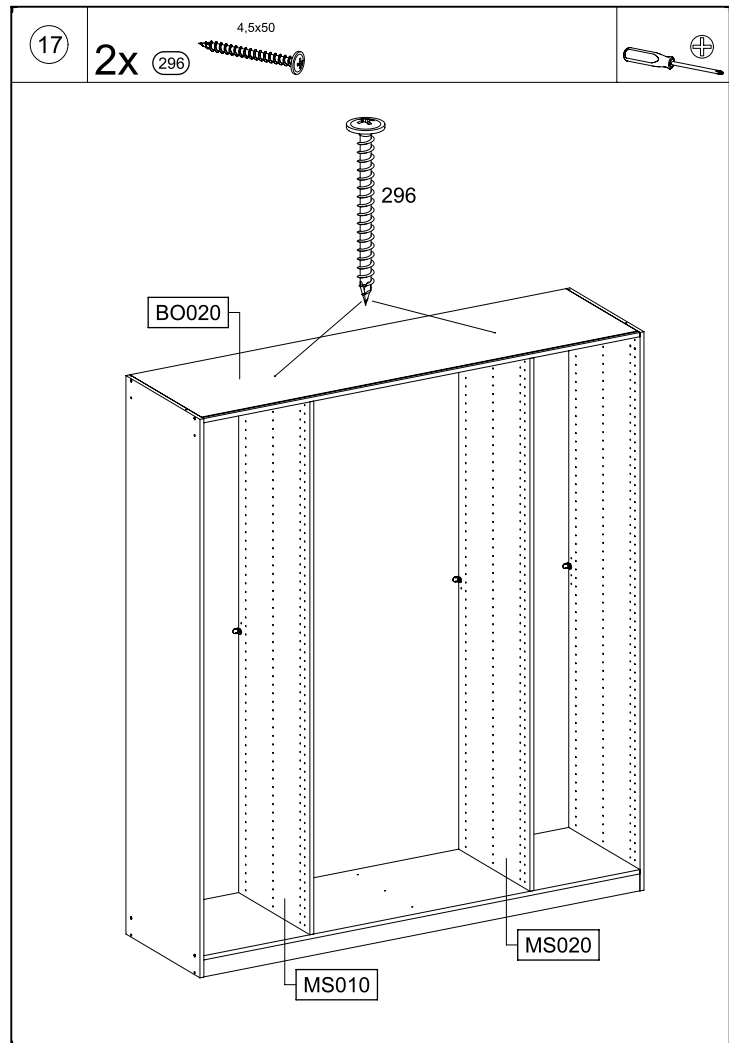


M2885

23.

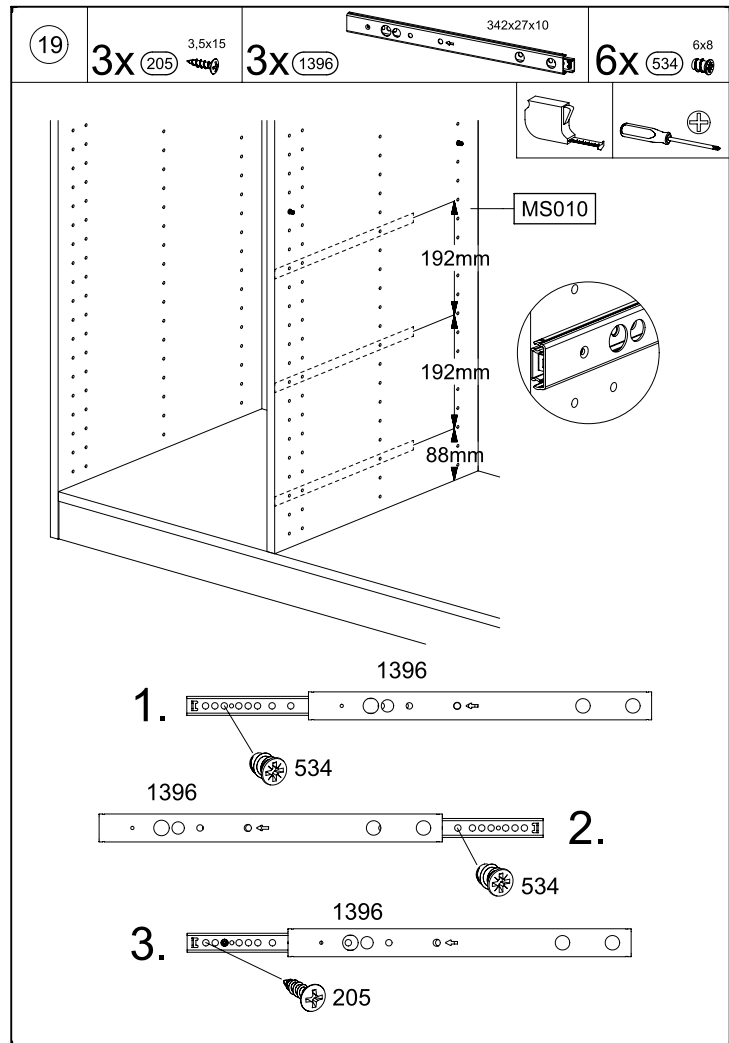


M2885

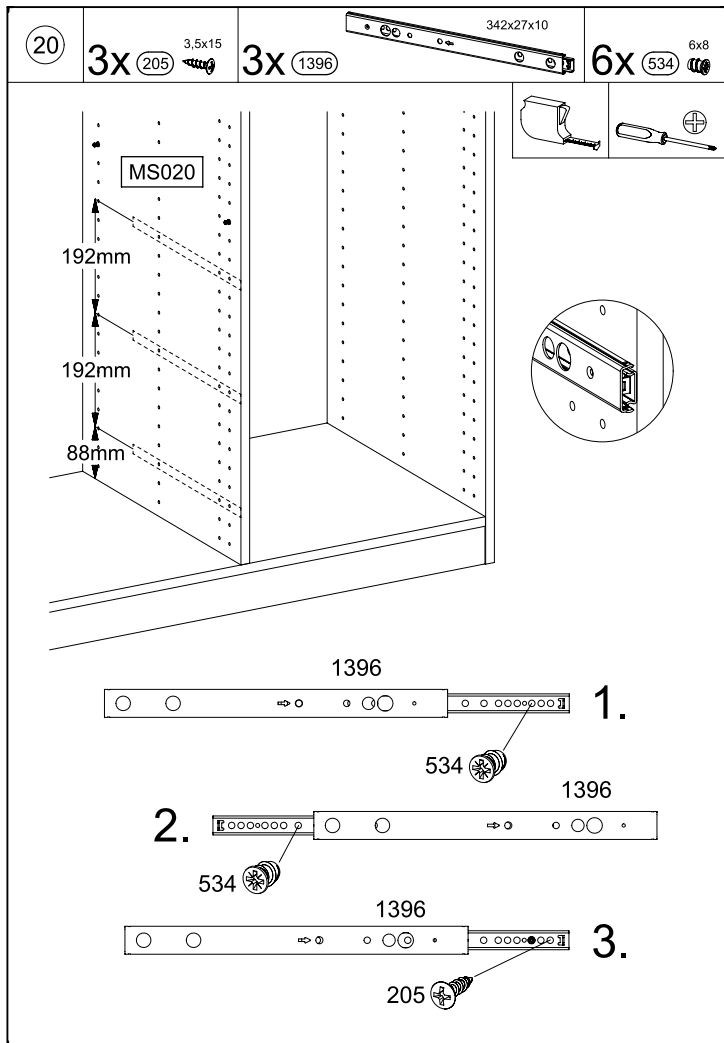


M2885

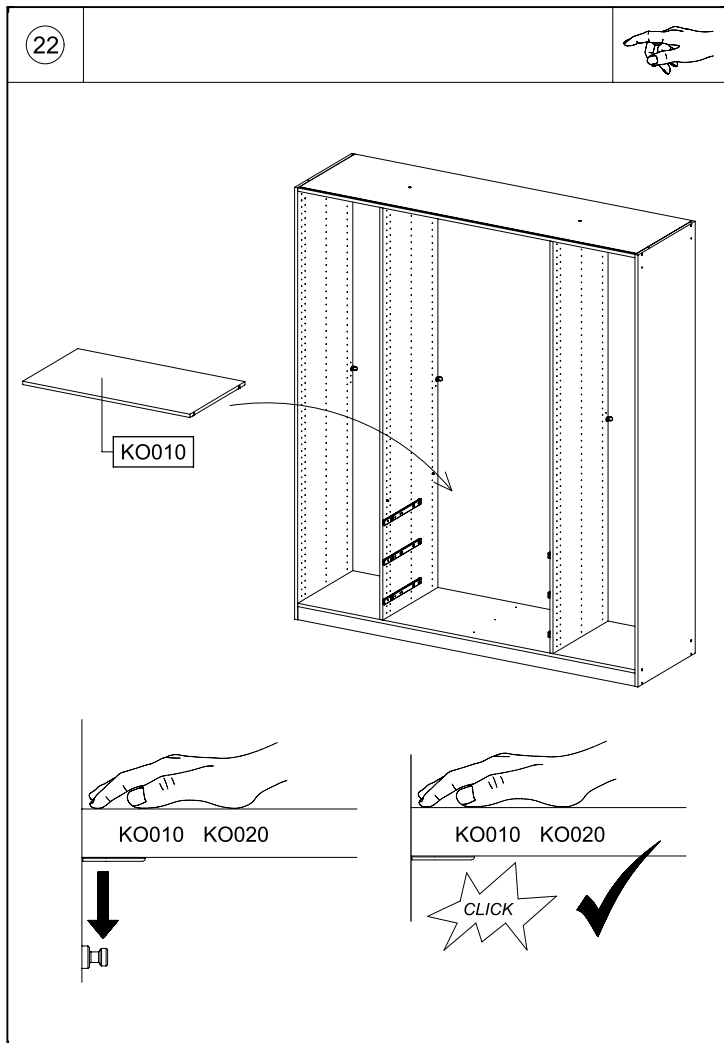
24.



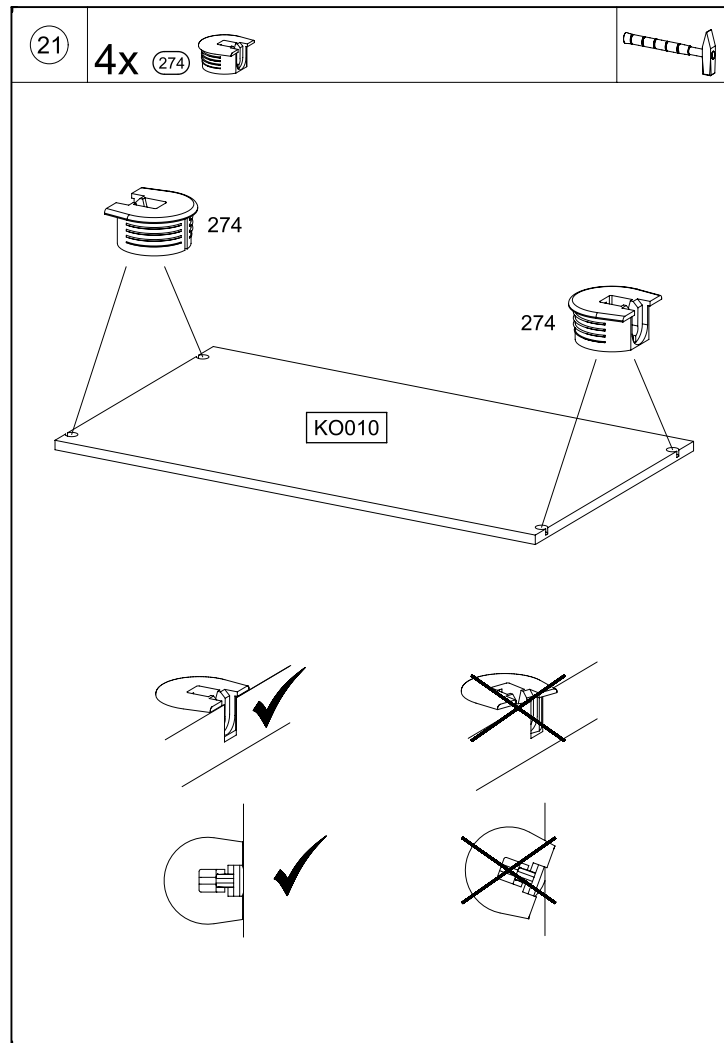
M2885



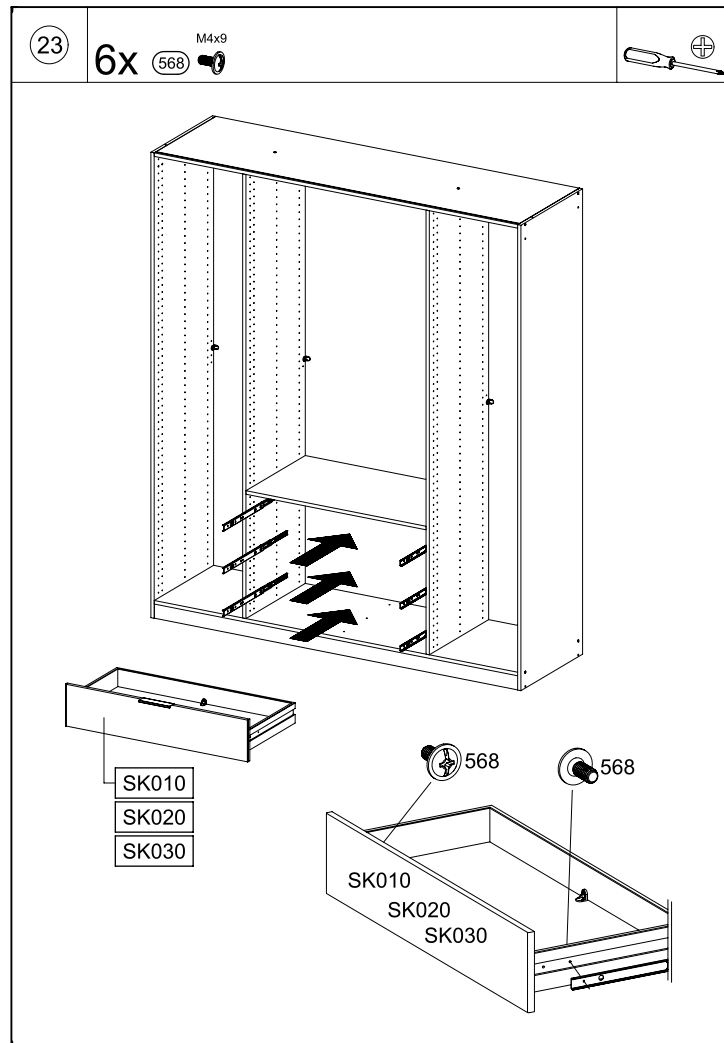
M2855



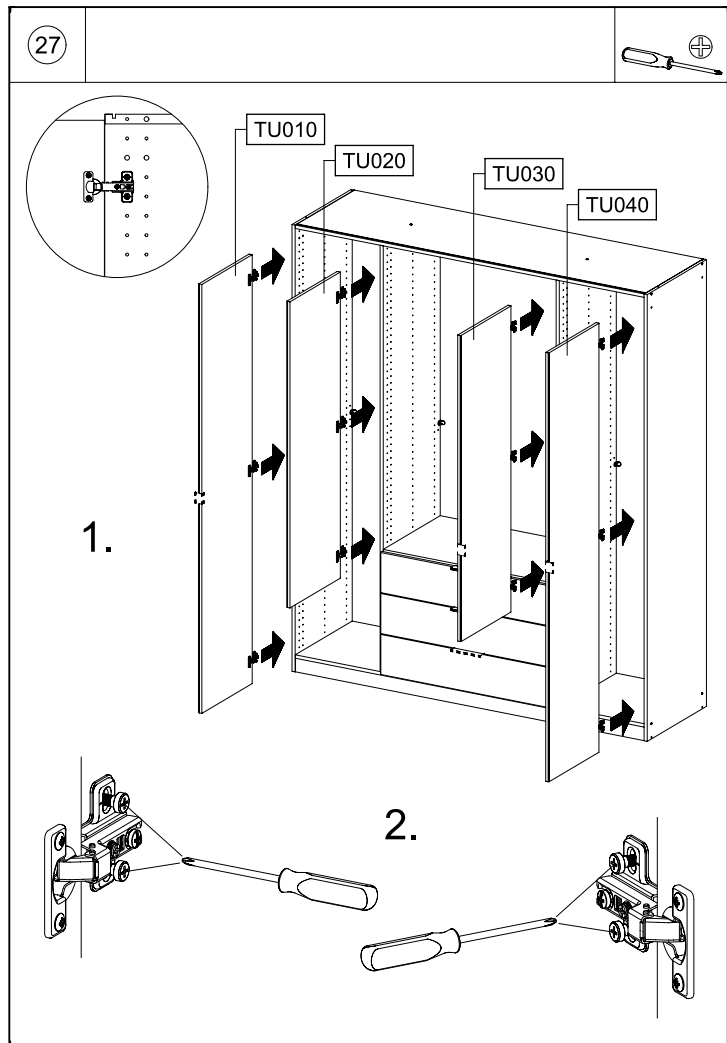
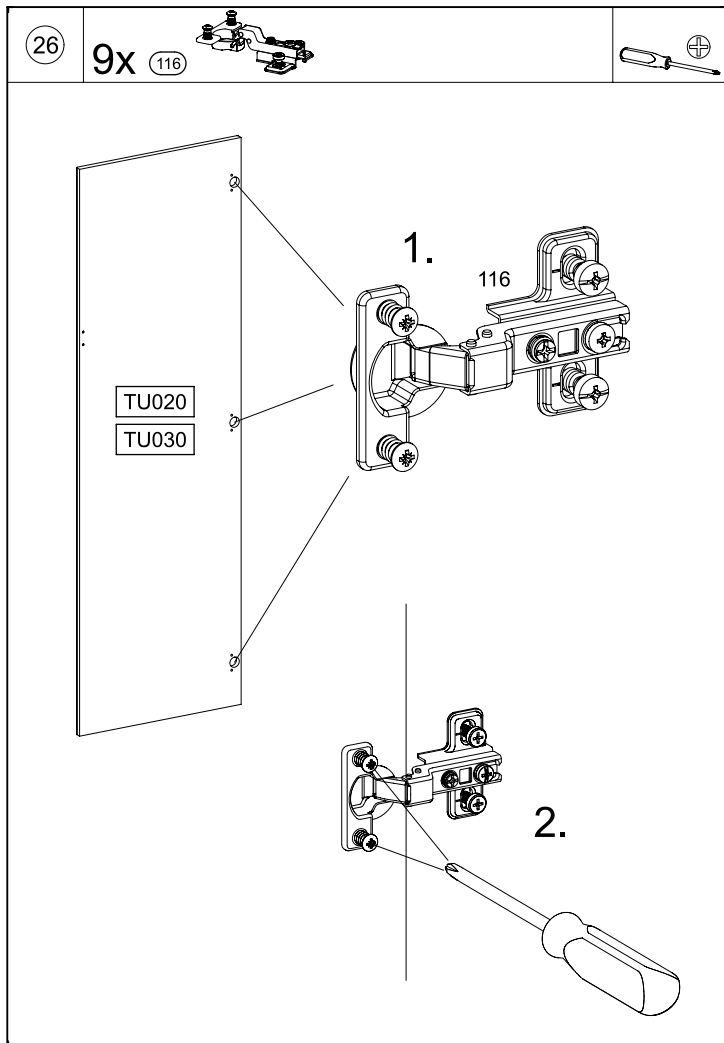
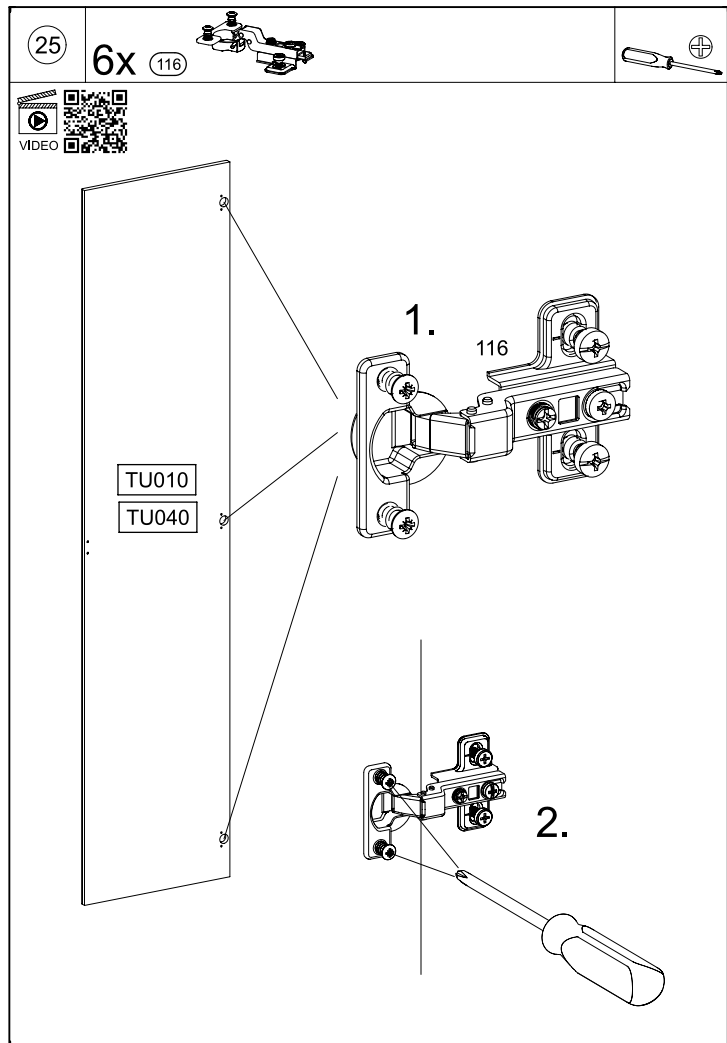
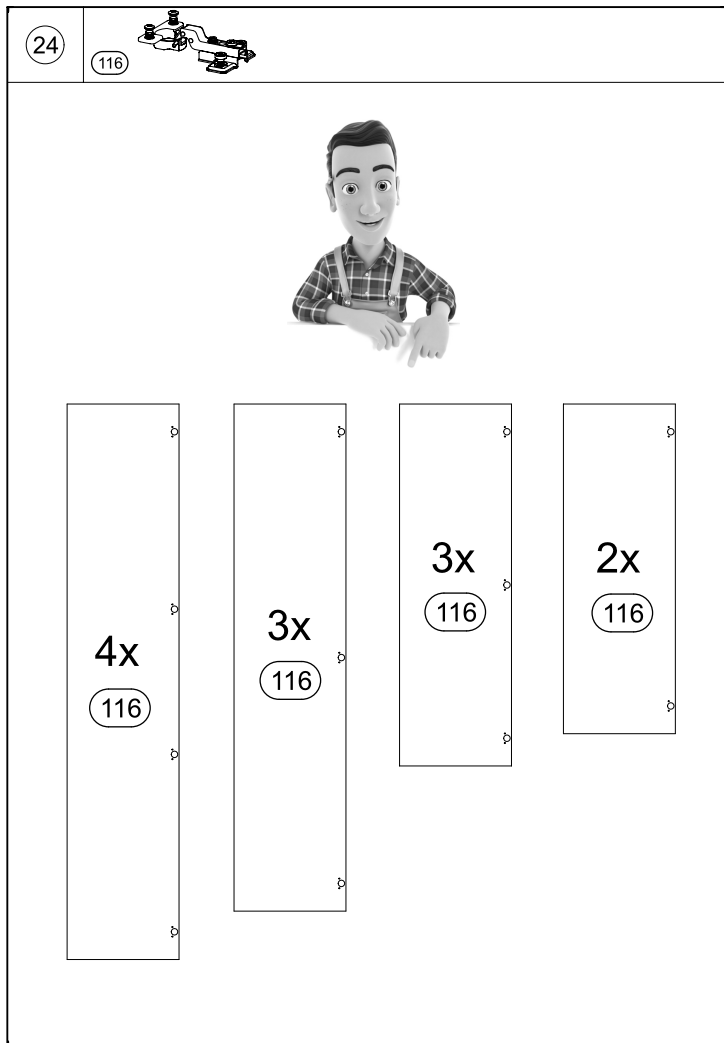
M2855

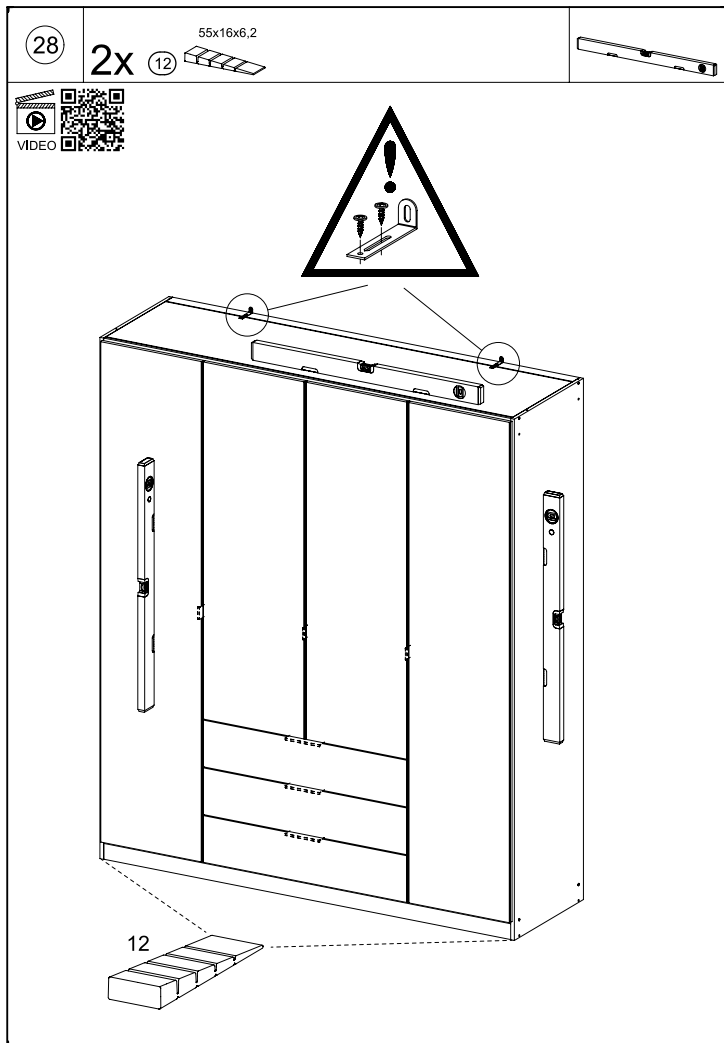


M2855

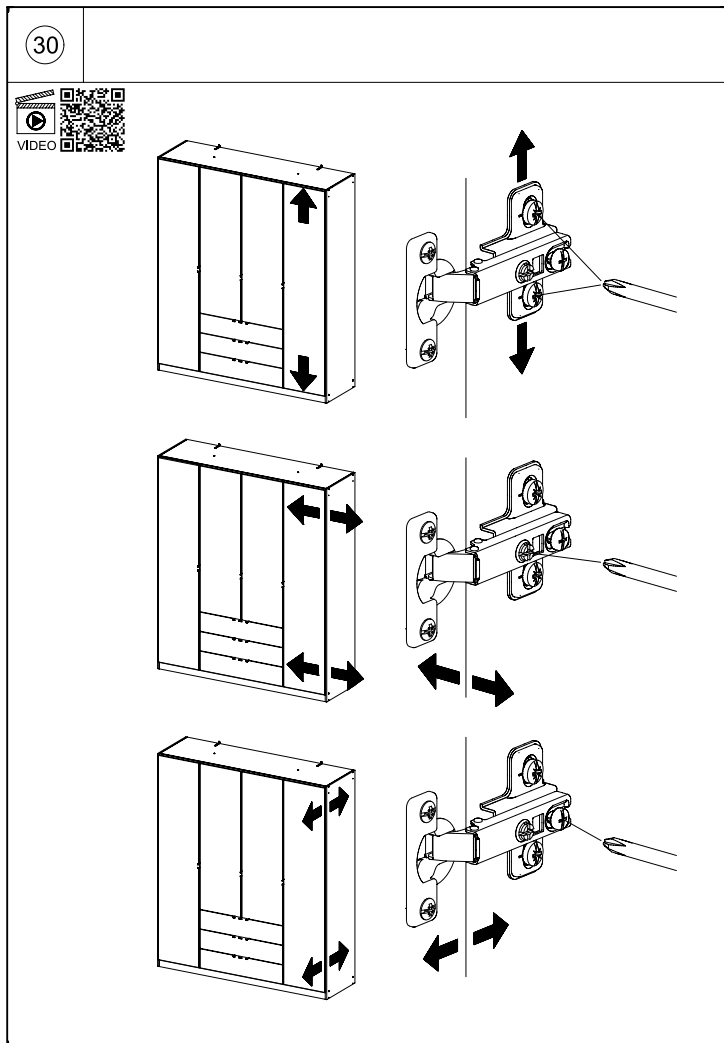


M2855

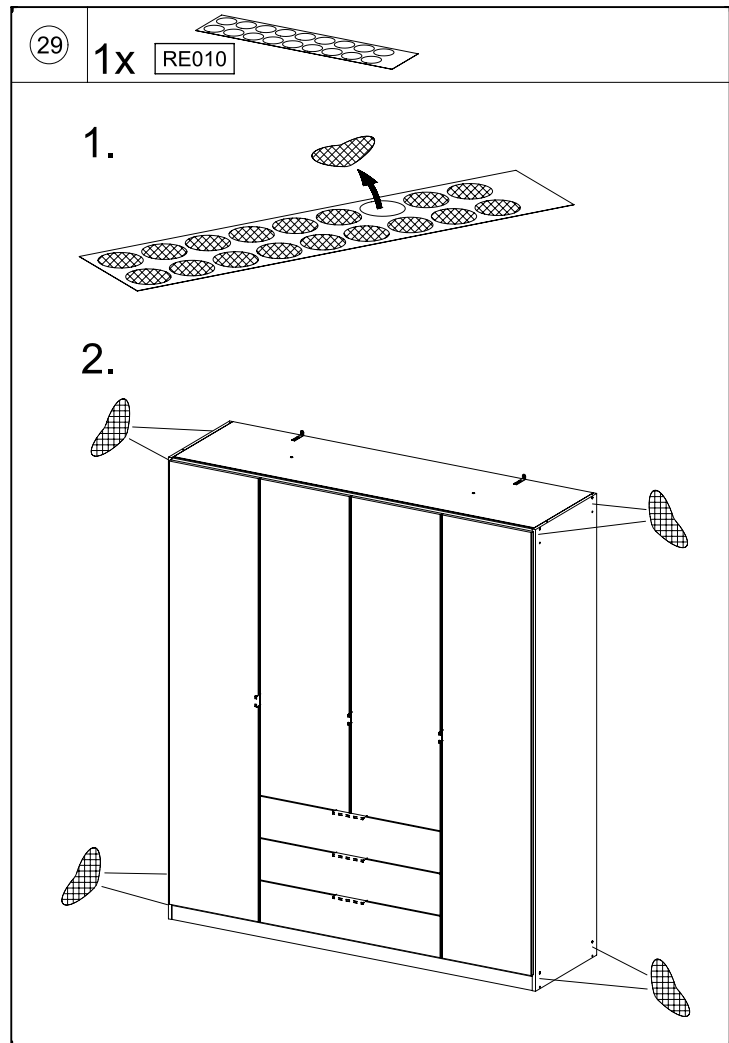




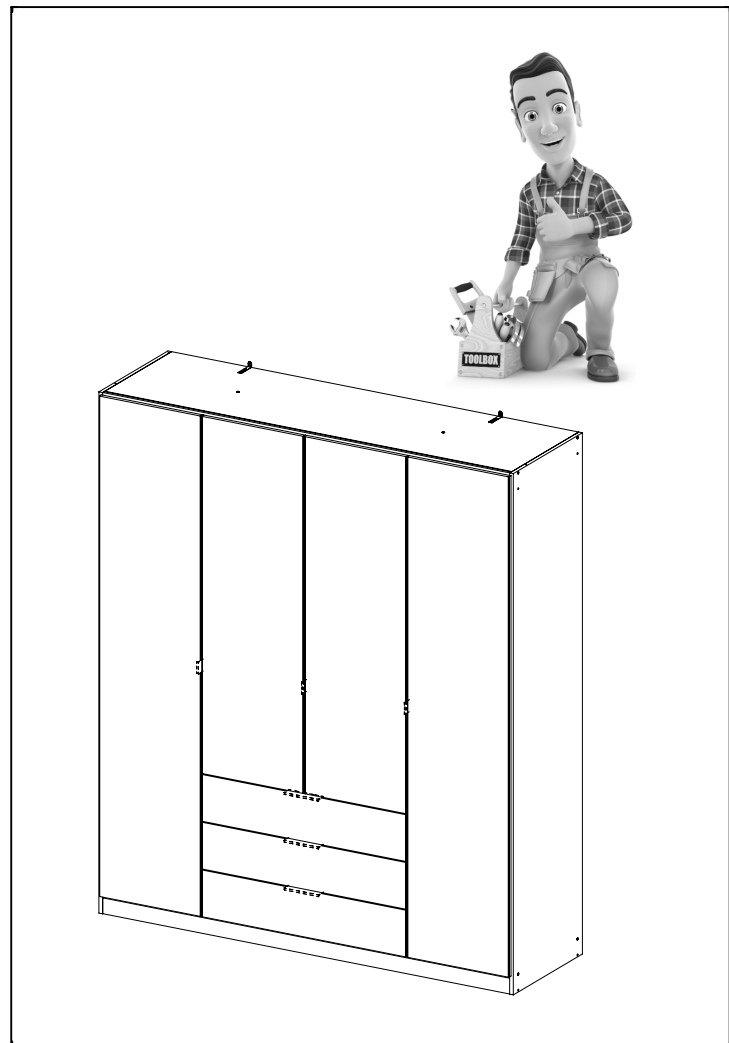
M2885



M2885



M2885



M2885