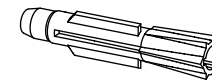
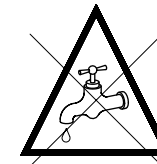
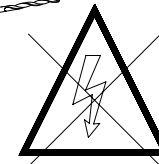
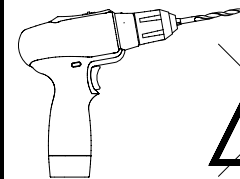
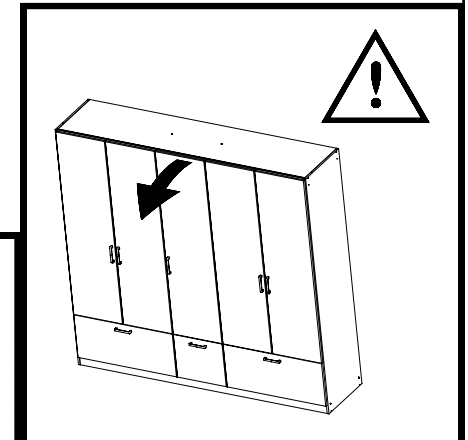
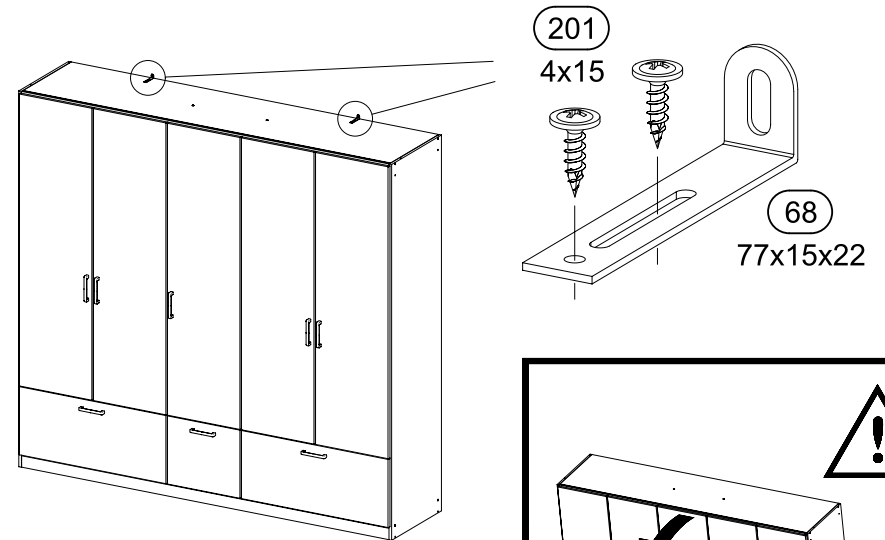
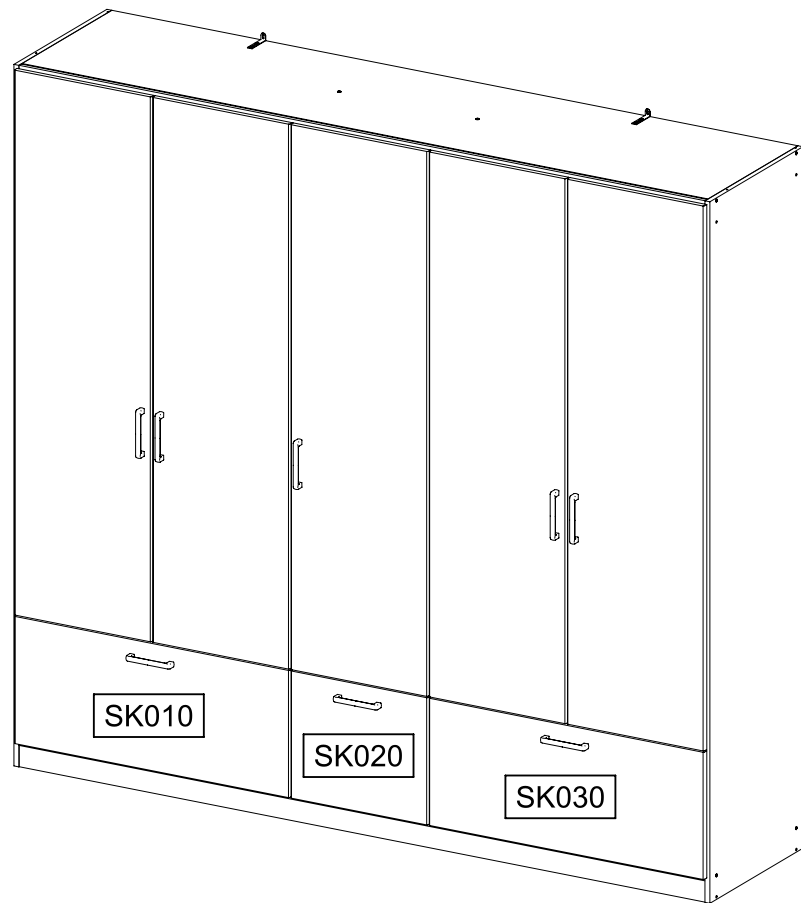
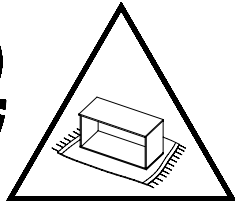
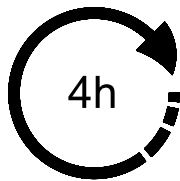
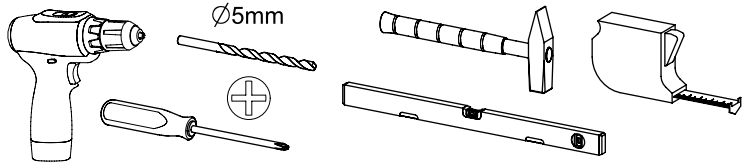
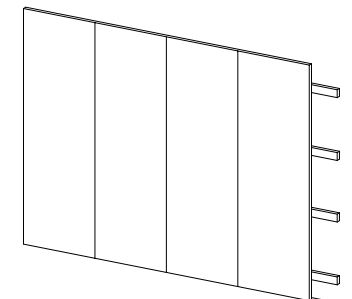
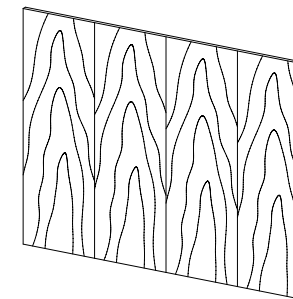
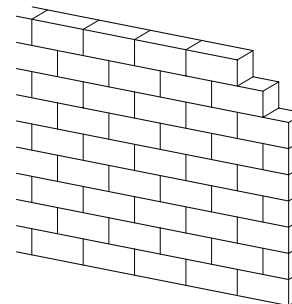
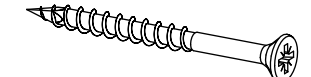
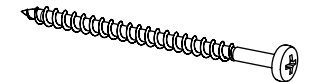
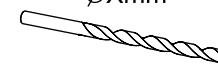
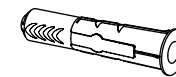


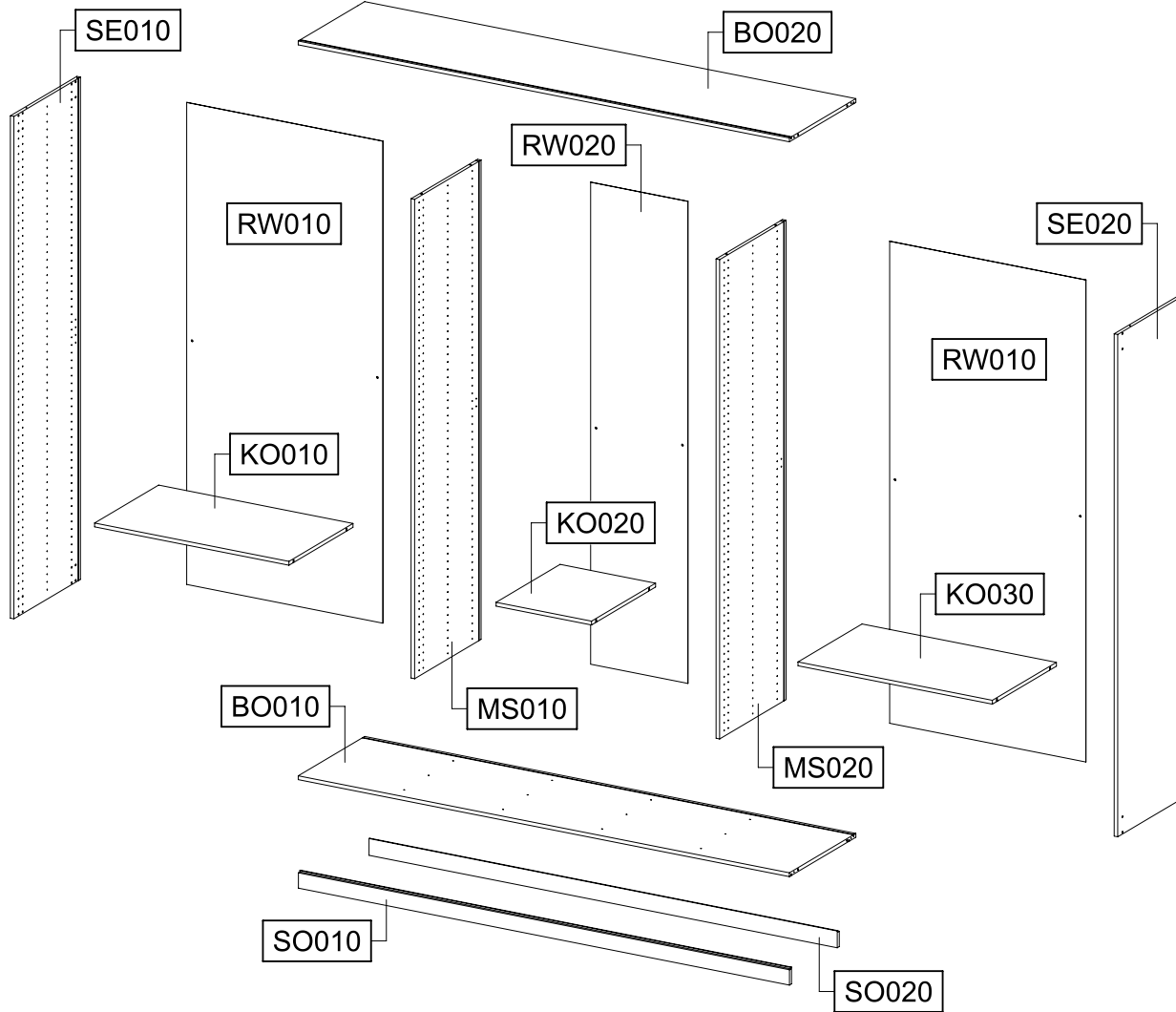
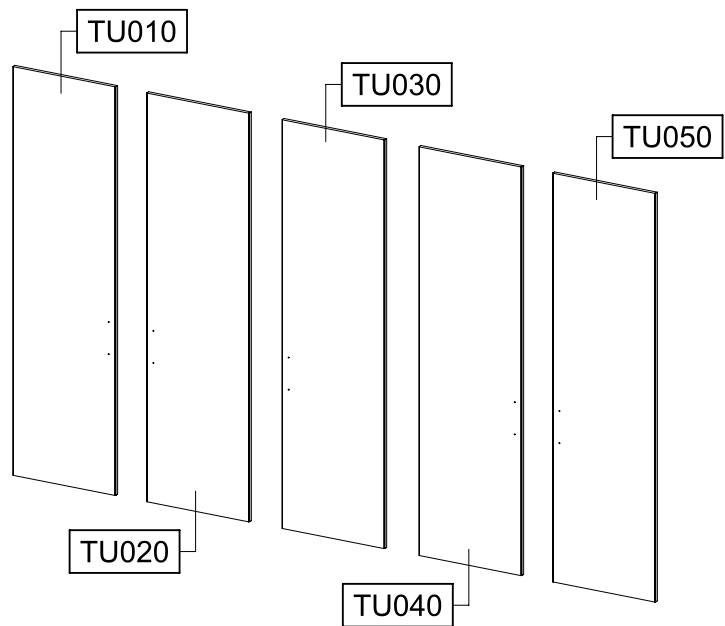
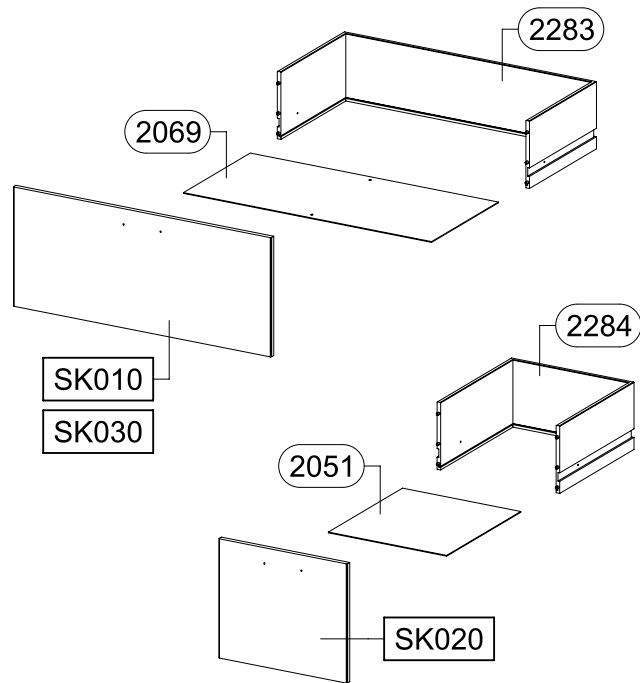
M2874_02

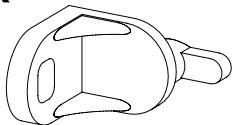
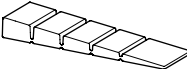

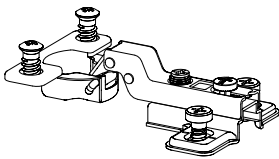
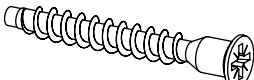
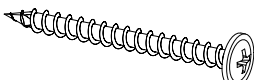

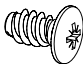
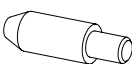
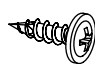
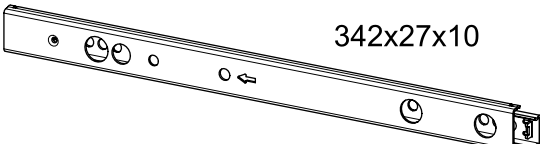



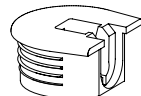

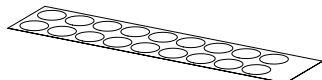
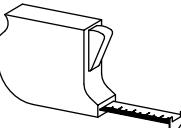
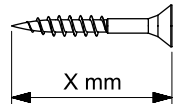
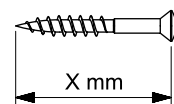
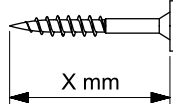


?

ØXmm




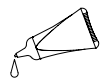


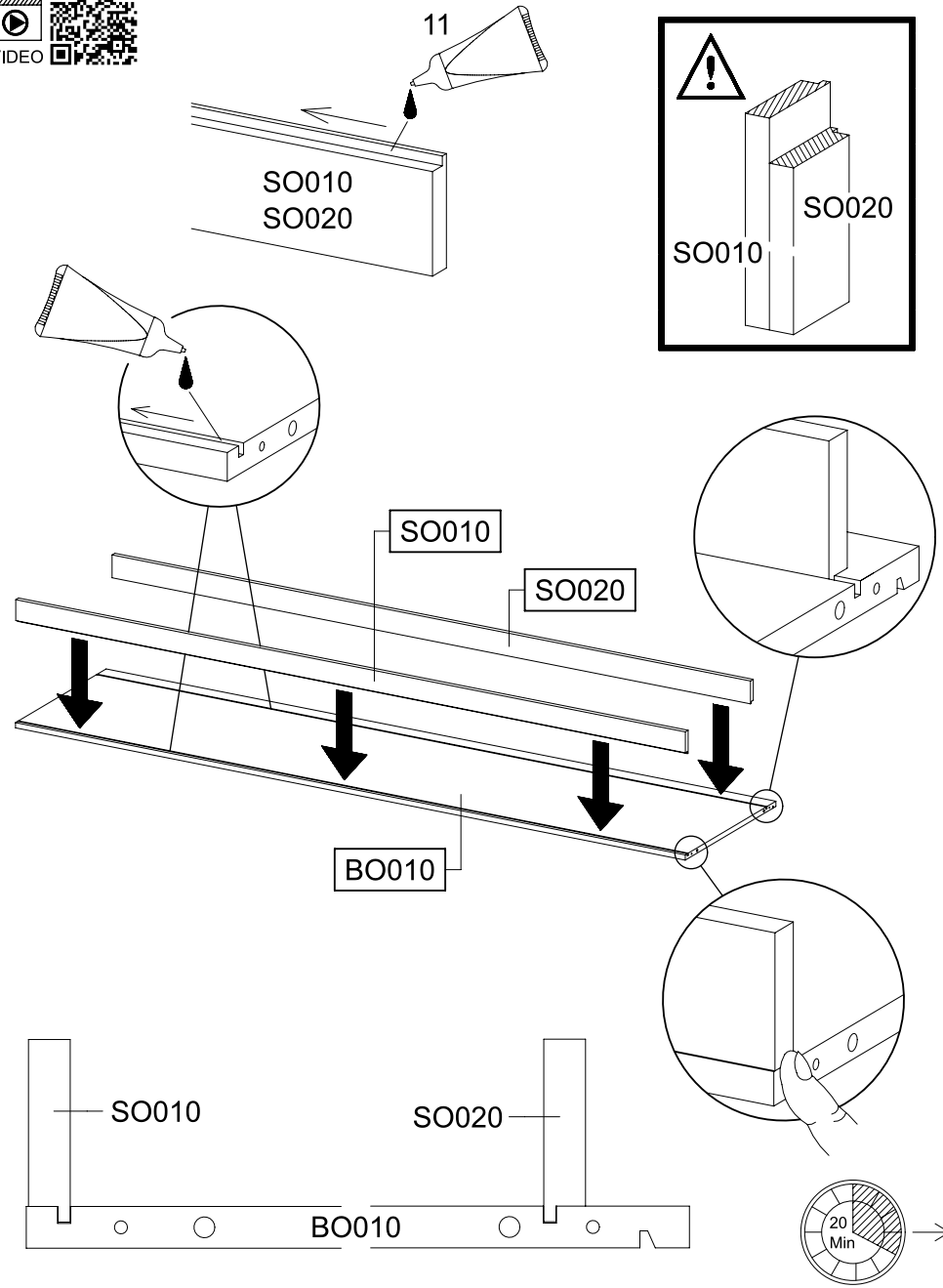
10x  ①	2x 55x16x6,2  ⑫		
8x 8x30  ⑱	15x  ⑪⑬		
8x 6,3x50  ⑳③③	2x 4,5x50  ⑳⑨⑥	12x 6x8  ⑵③④	
6x 6,5x12  ⑳⑦⑨	8x  ⑳①⑦	4x 4x15  ⑳①①	
6x  ⑬⑨⑥	6x 342x27x10  ⑵⑥⑧	6x M4x9  ⑵⑥⑧	
6x 3,5x15  ⑳①⑤	12x  ⑳⑦④	12x 5,0x7,0  ⑳④⑨	
1x  RE010			
			

1

⑪

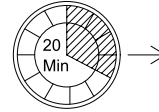
VIDEO 

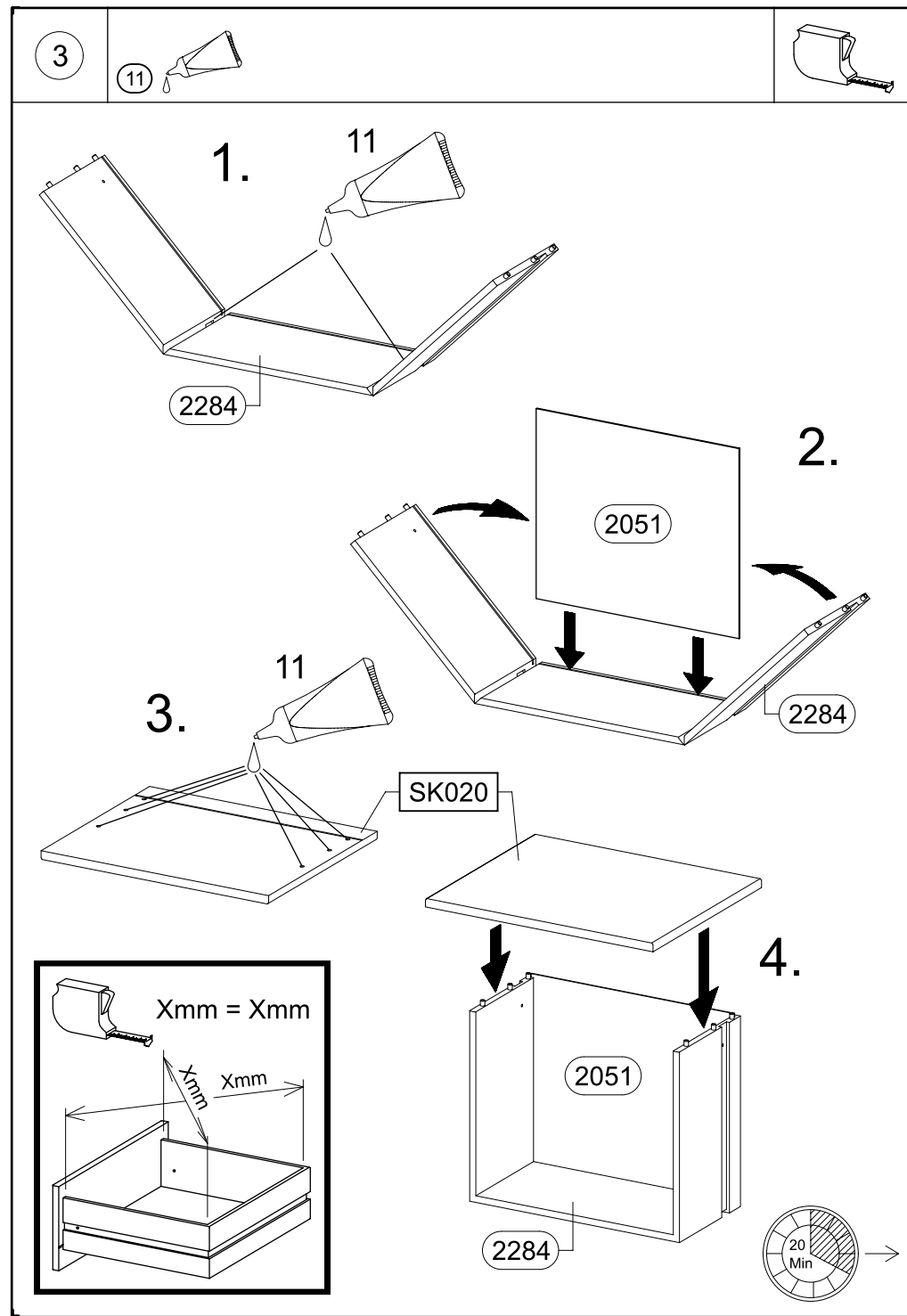
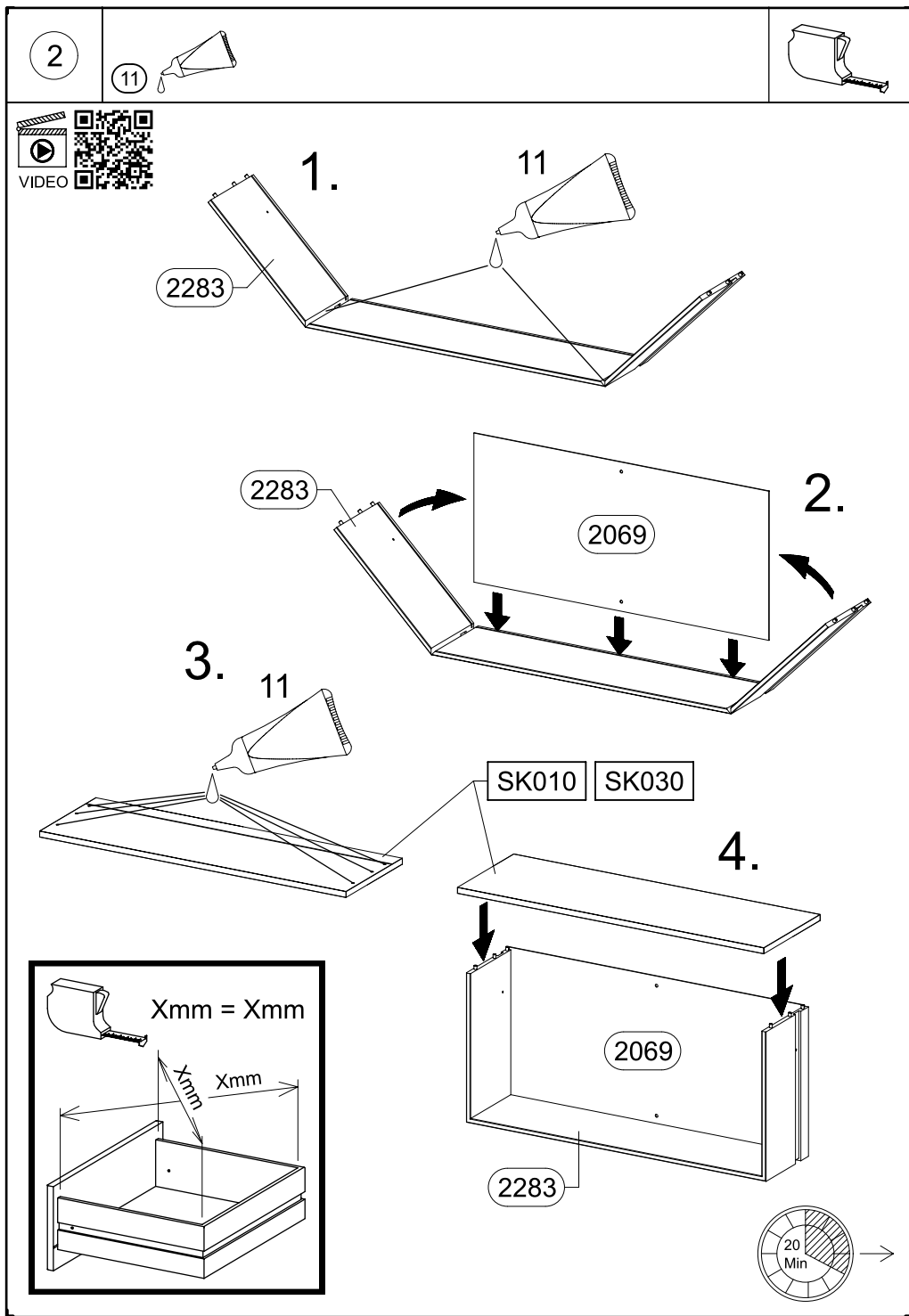


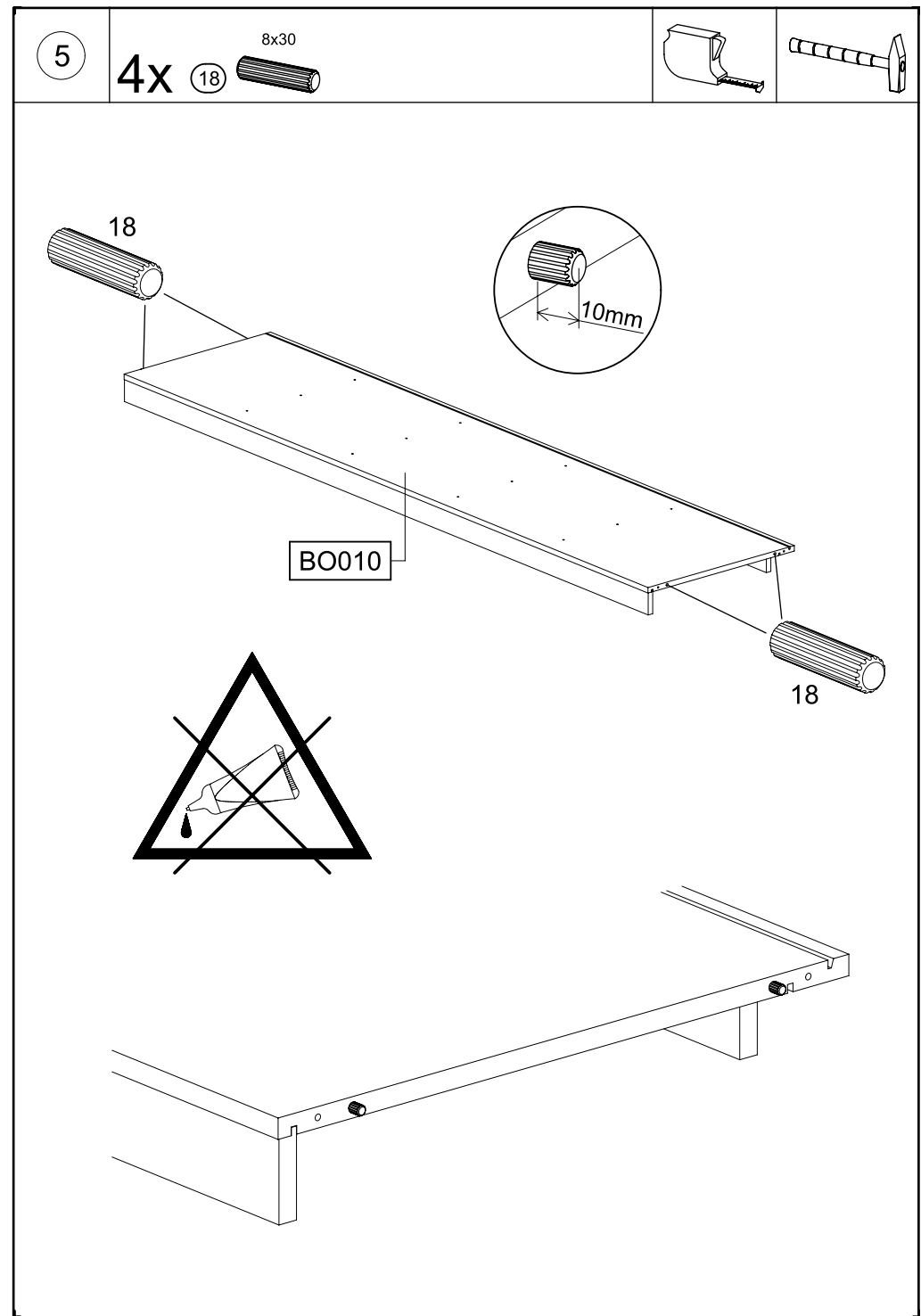
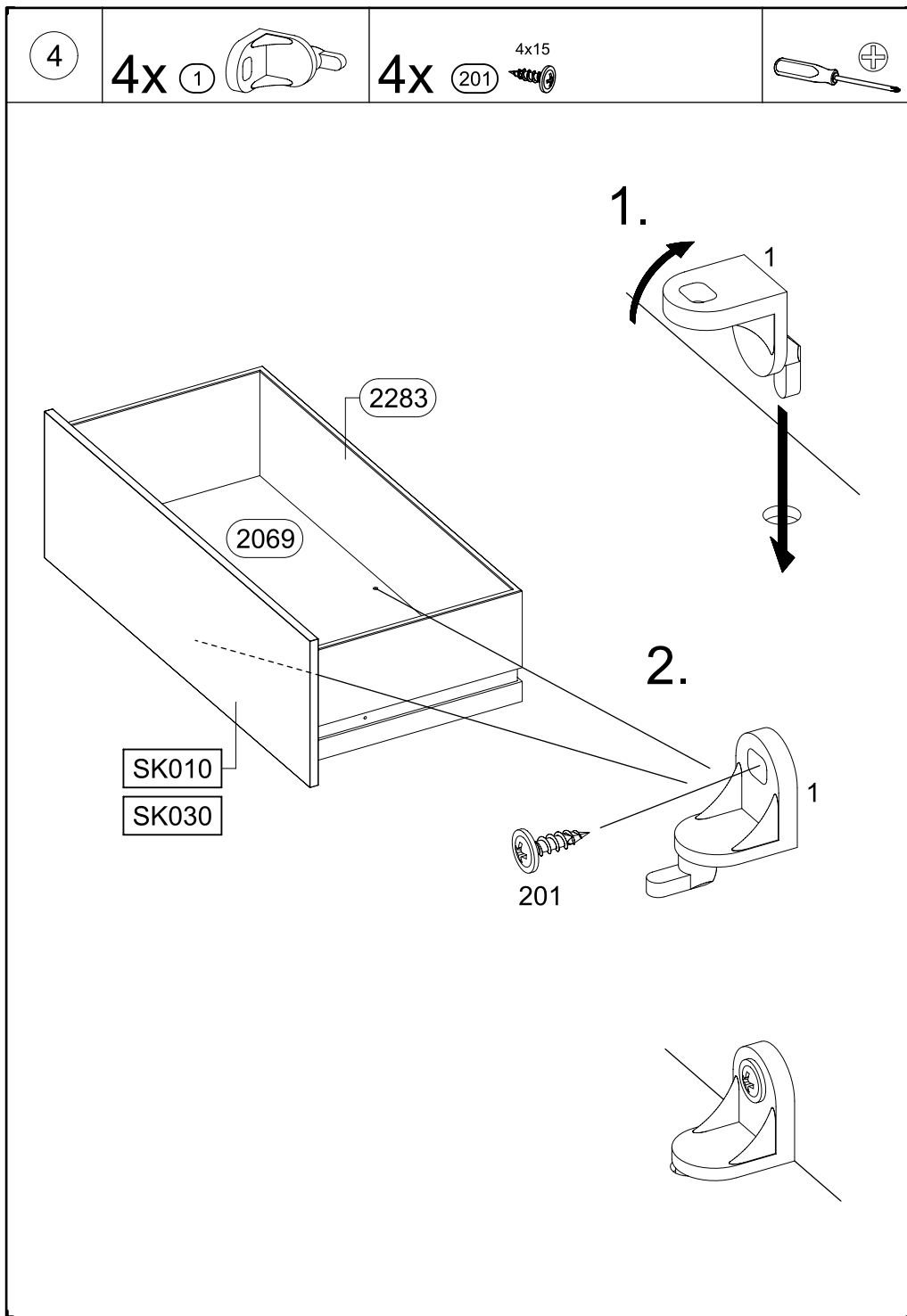


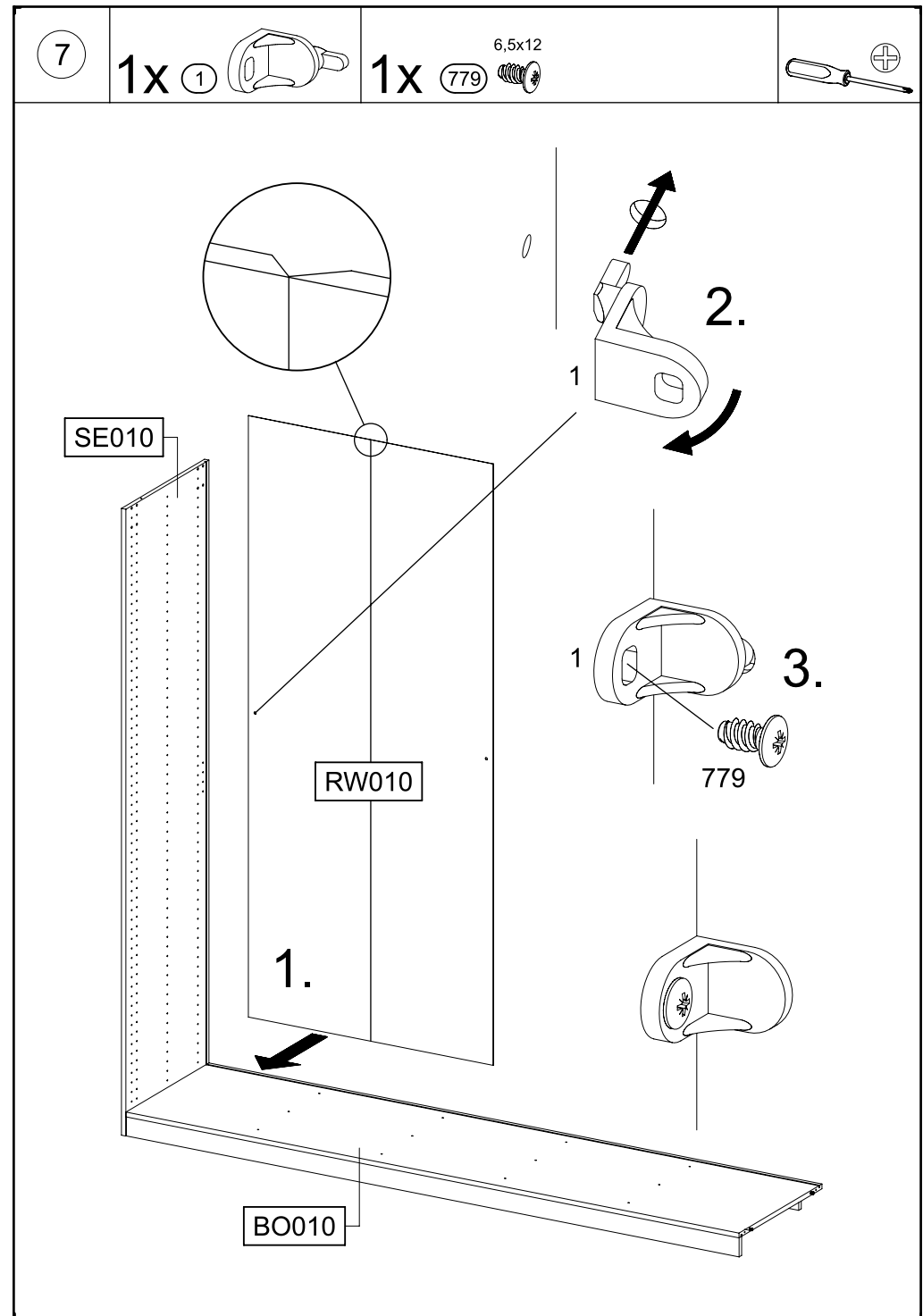
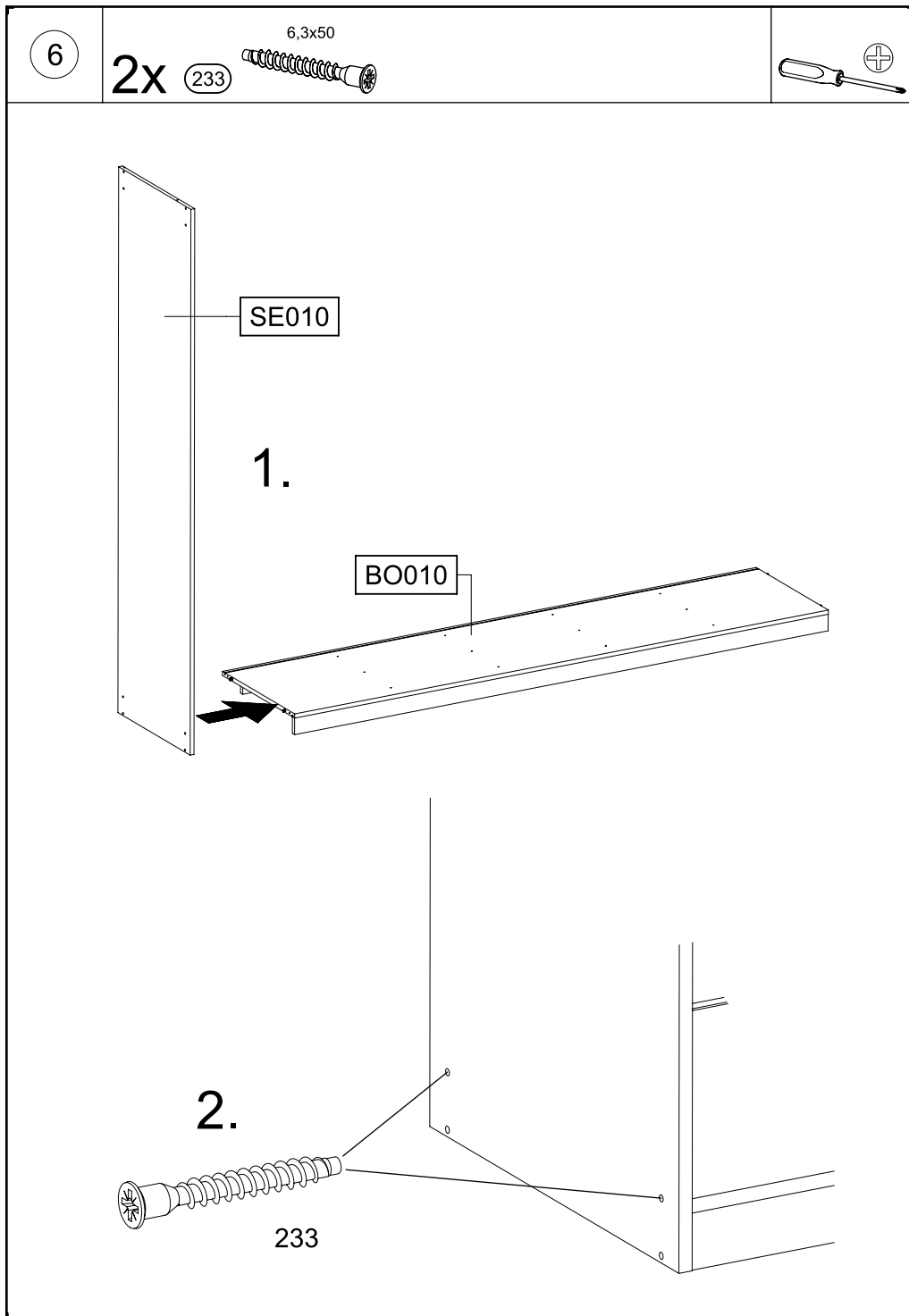
!

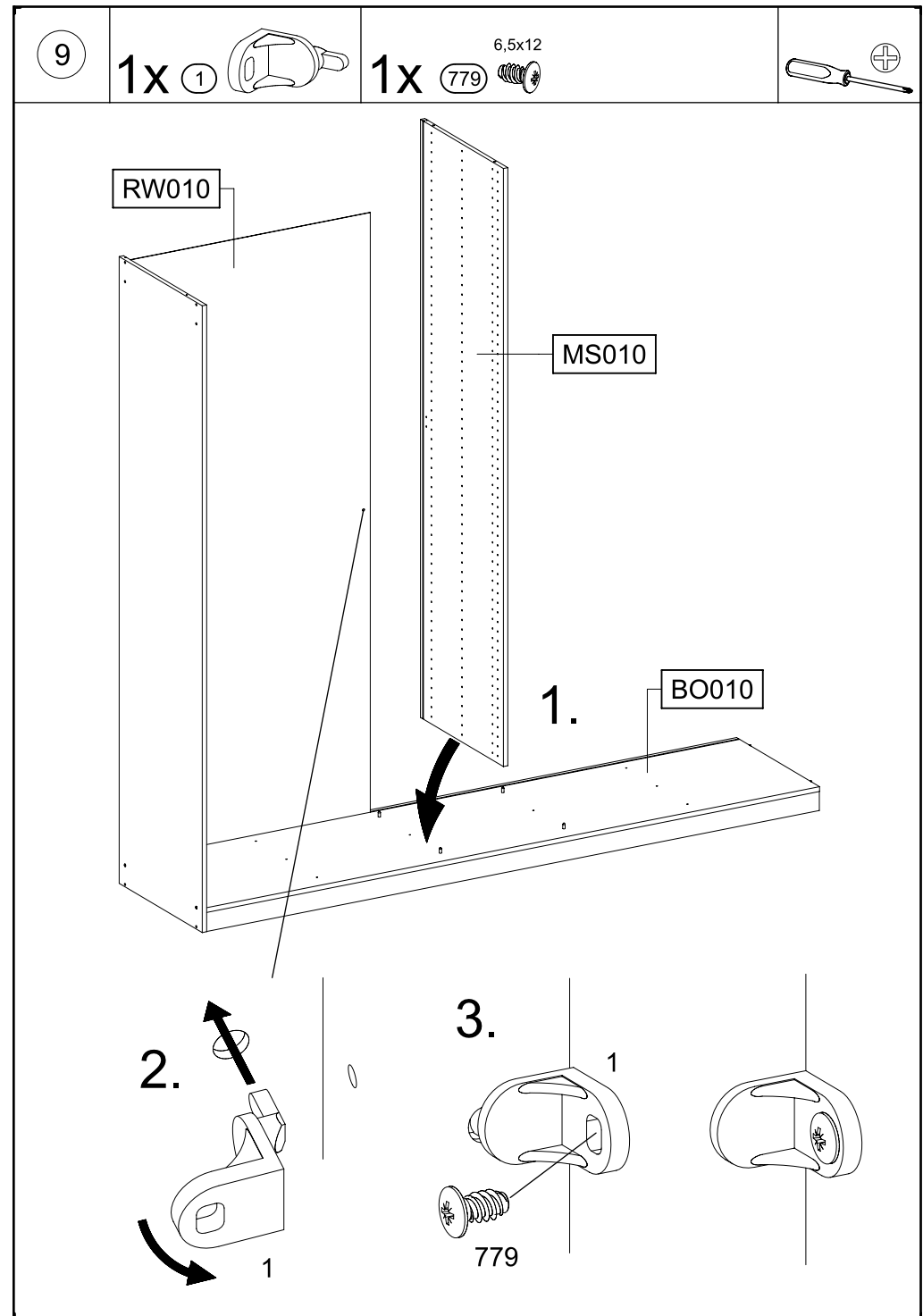
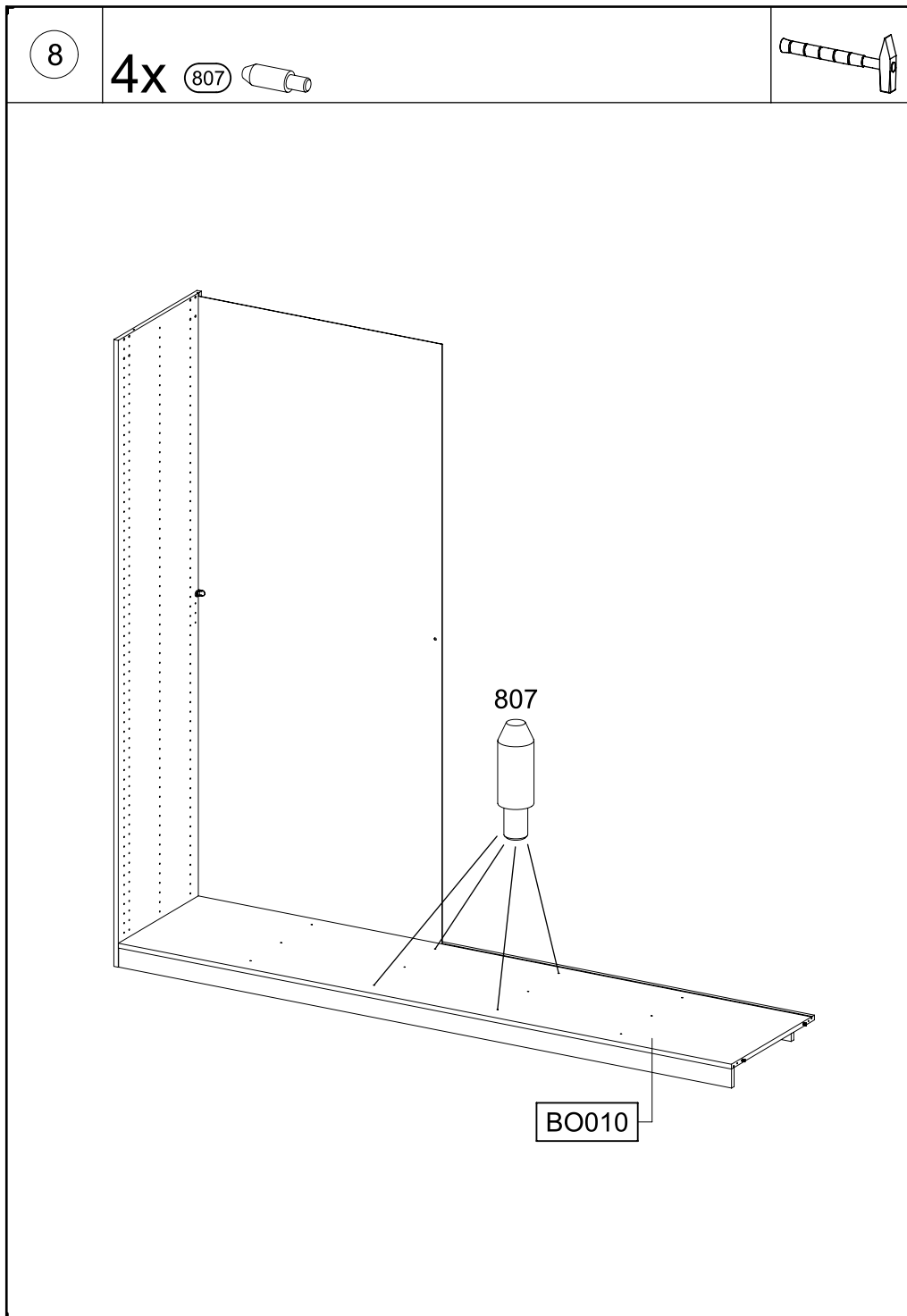
SO010 SO020





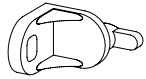




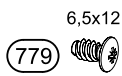


10

1x ①

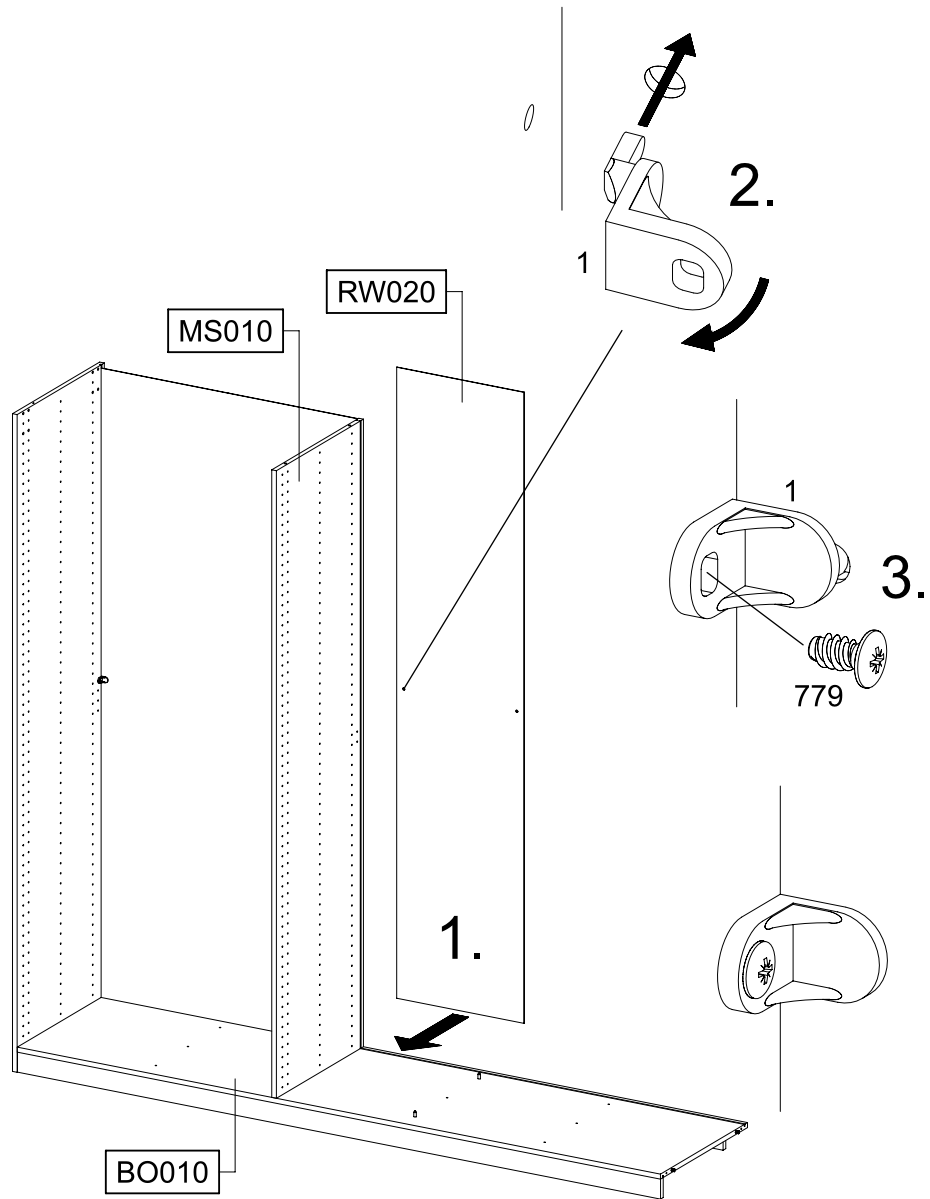
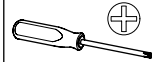


1x ②



6,5x12

779

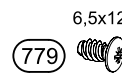


11

1x ①

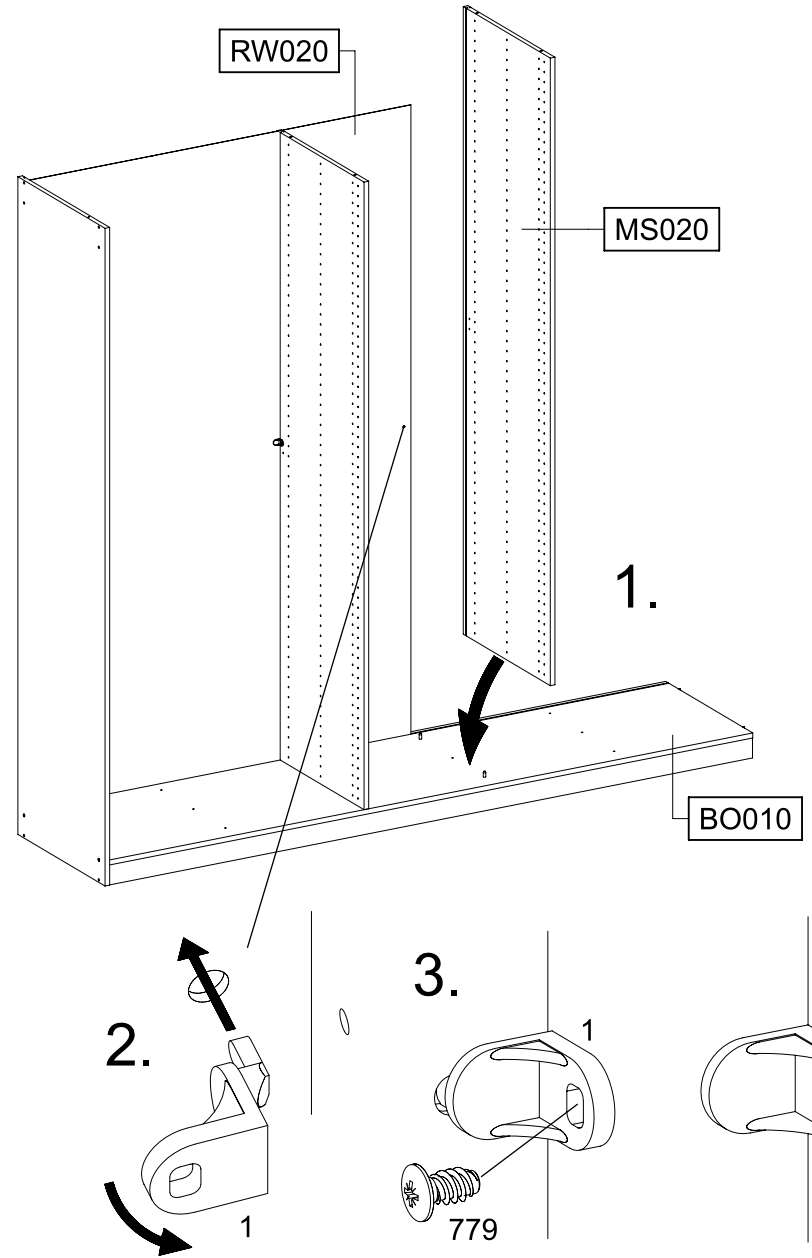
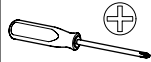


1x ②



6,5x12

779



12

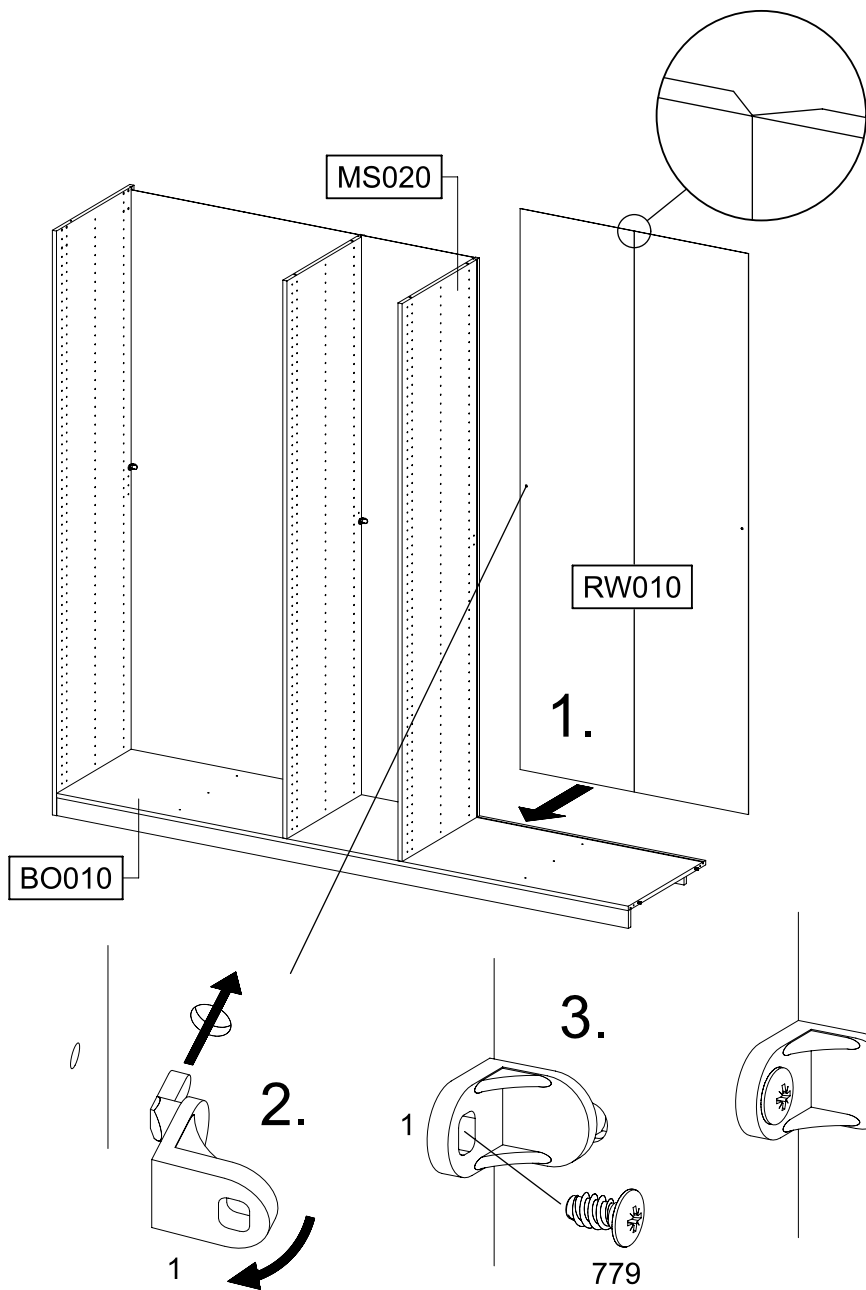
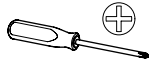
1x ①



1x ②

779

6,5x12

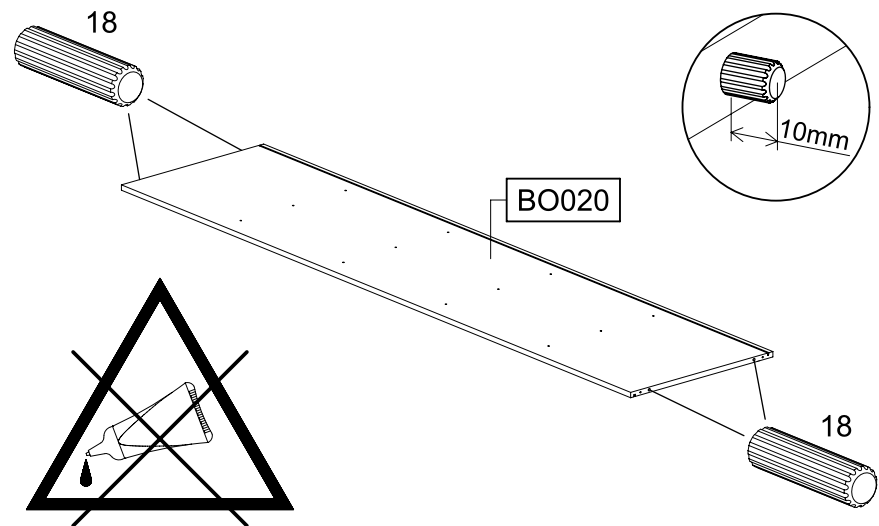
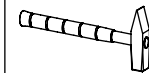
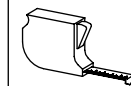


13

4x ③

18

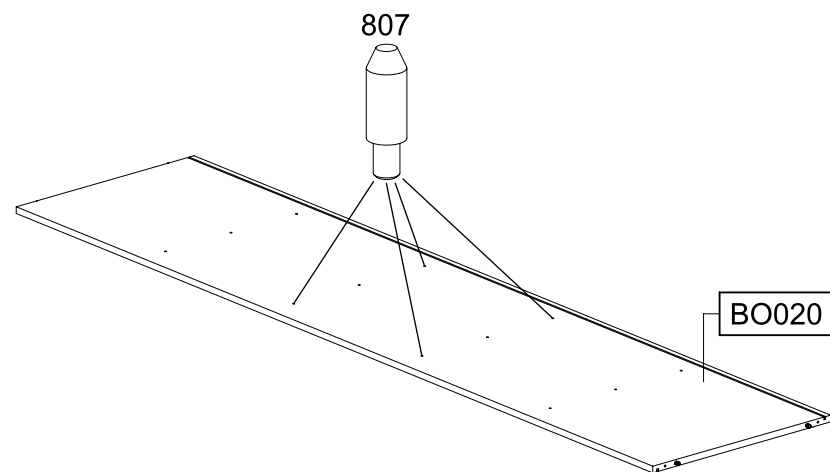
8x30



14

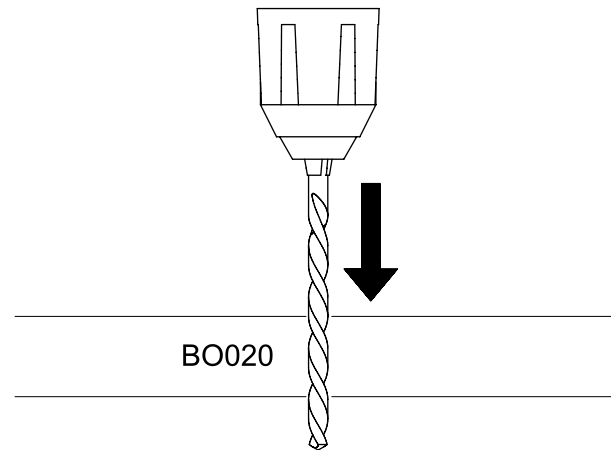
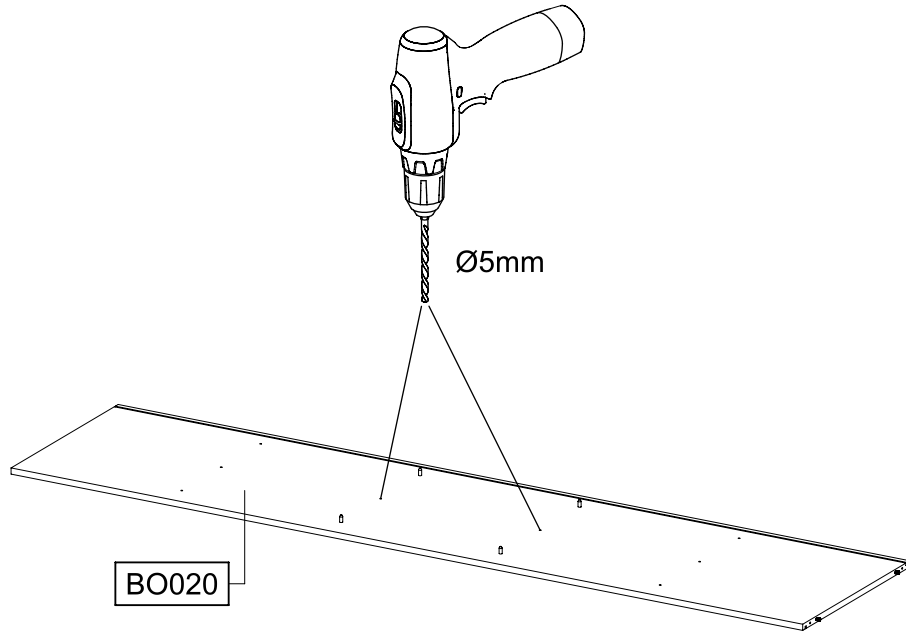
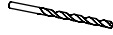
4x ④

807



15

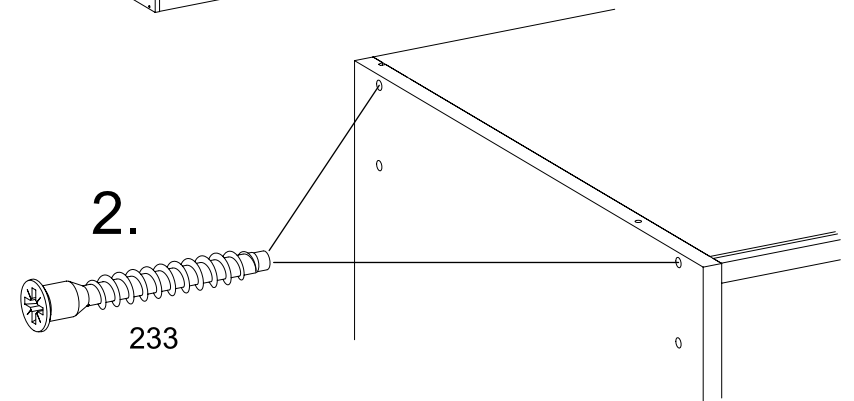
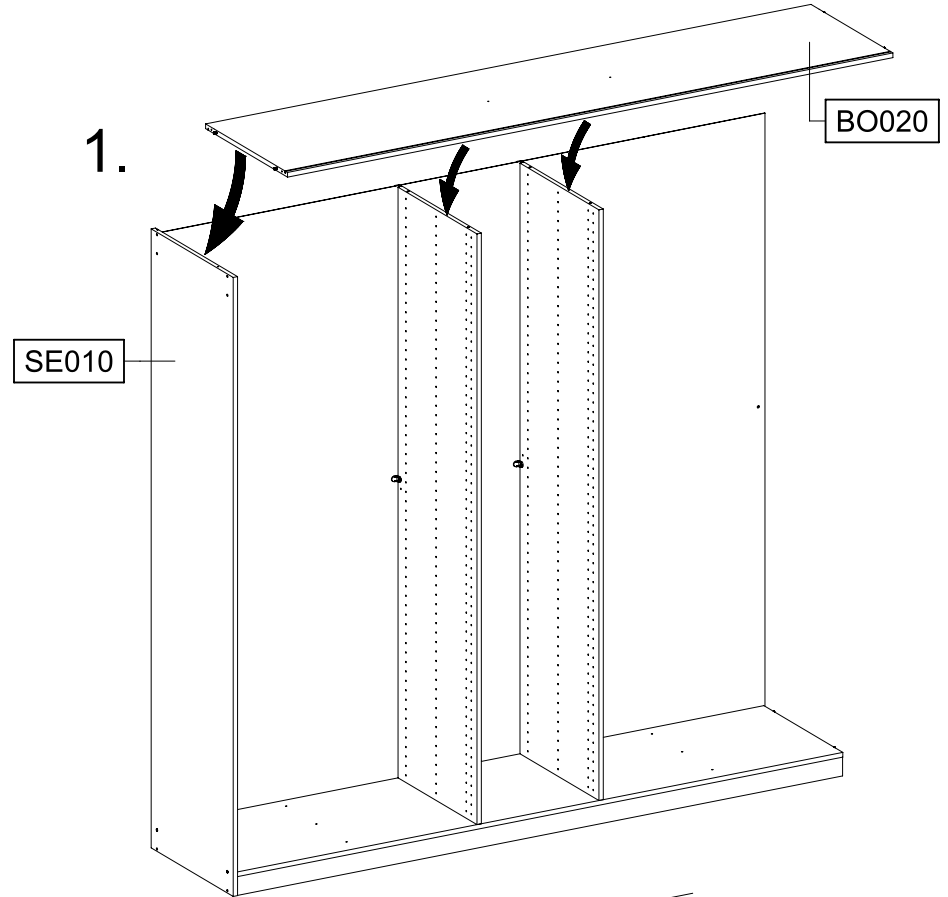
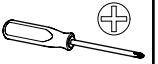
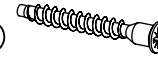
Ø5mm

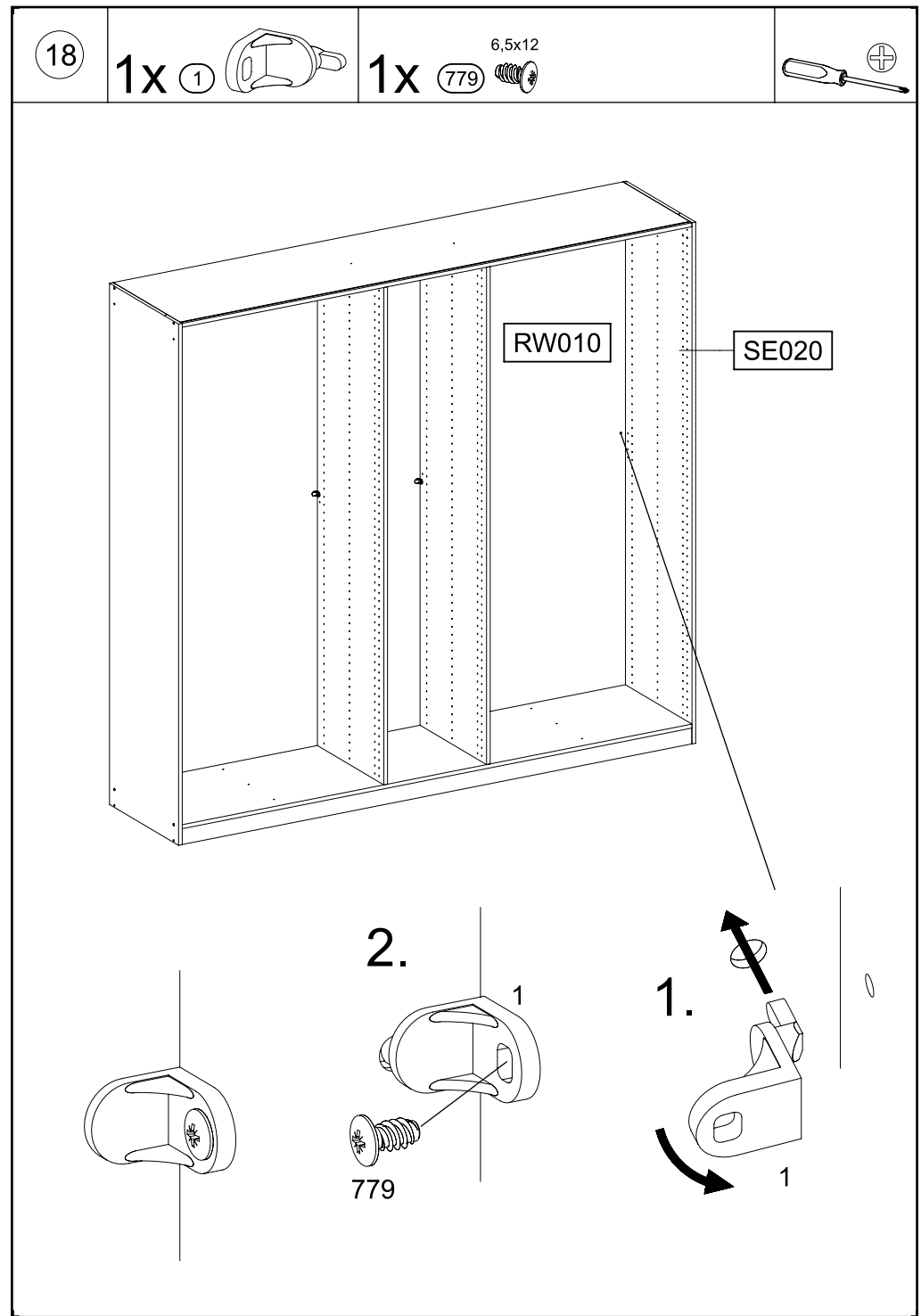
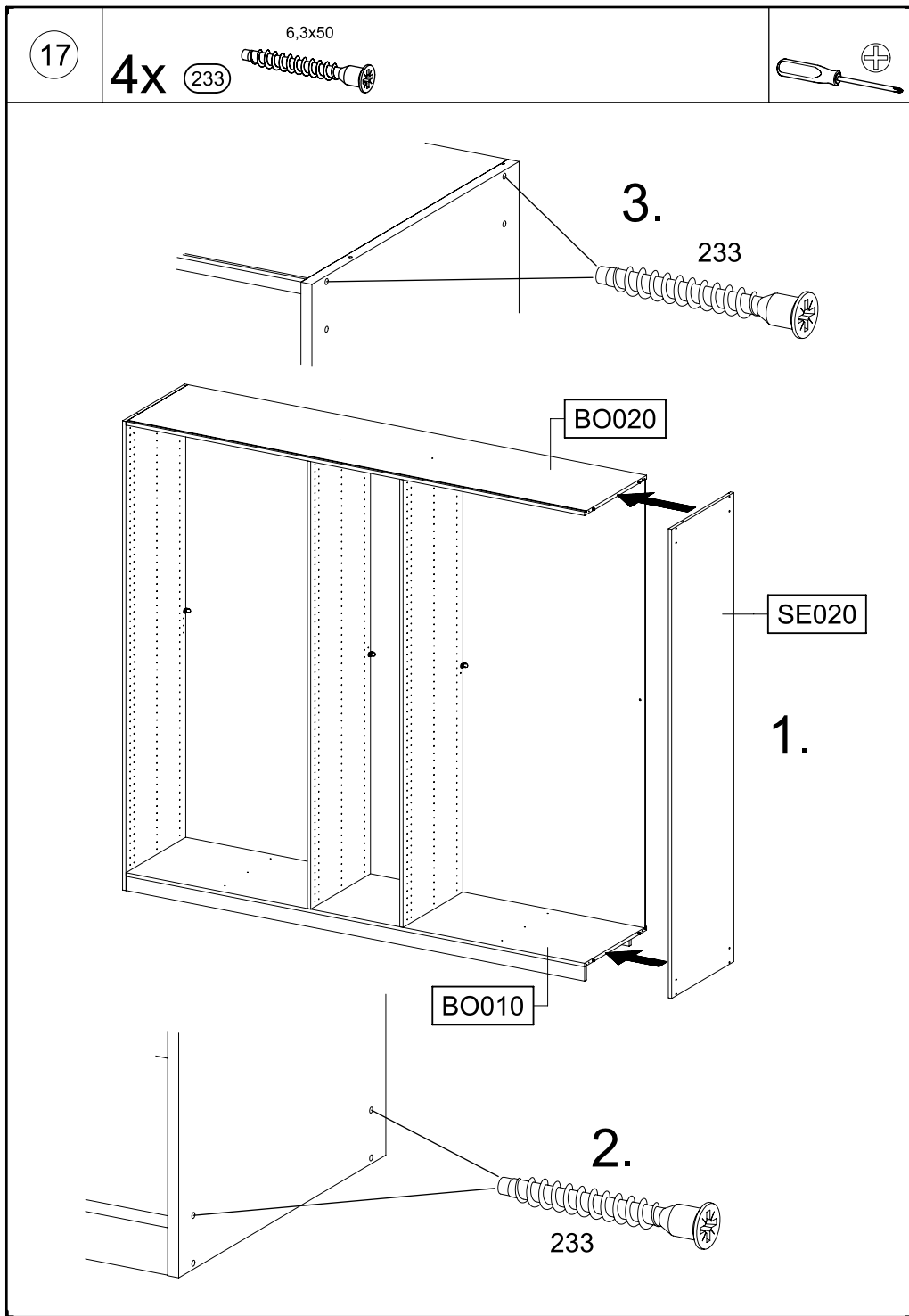


16

2x 233

6,3x50

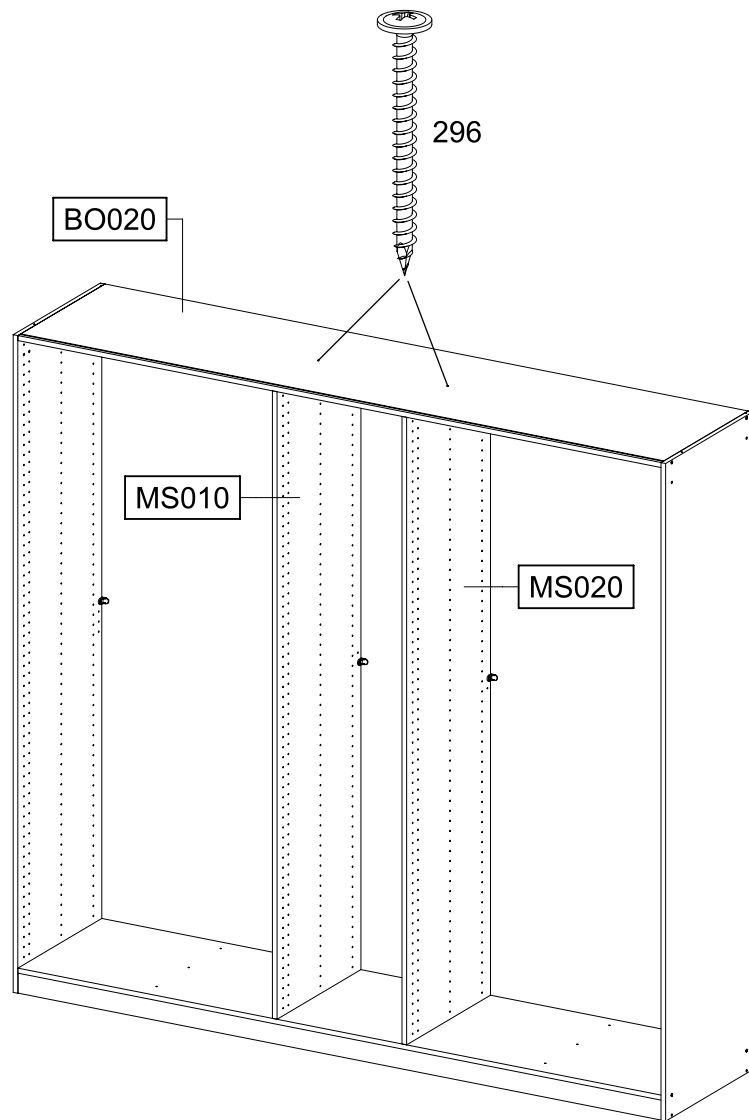
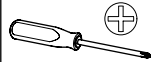
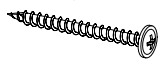




19

2x 296

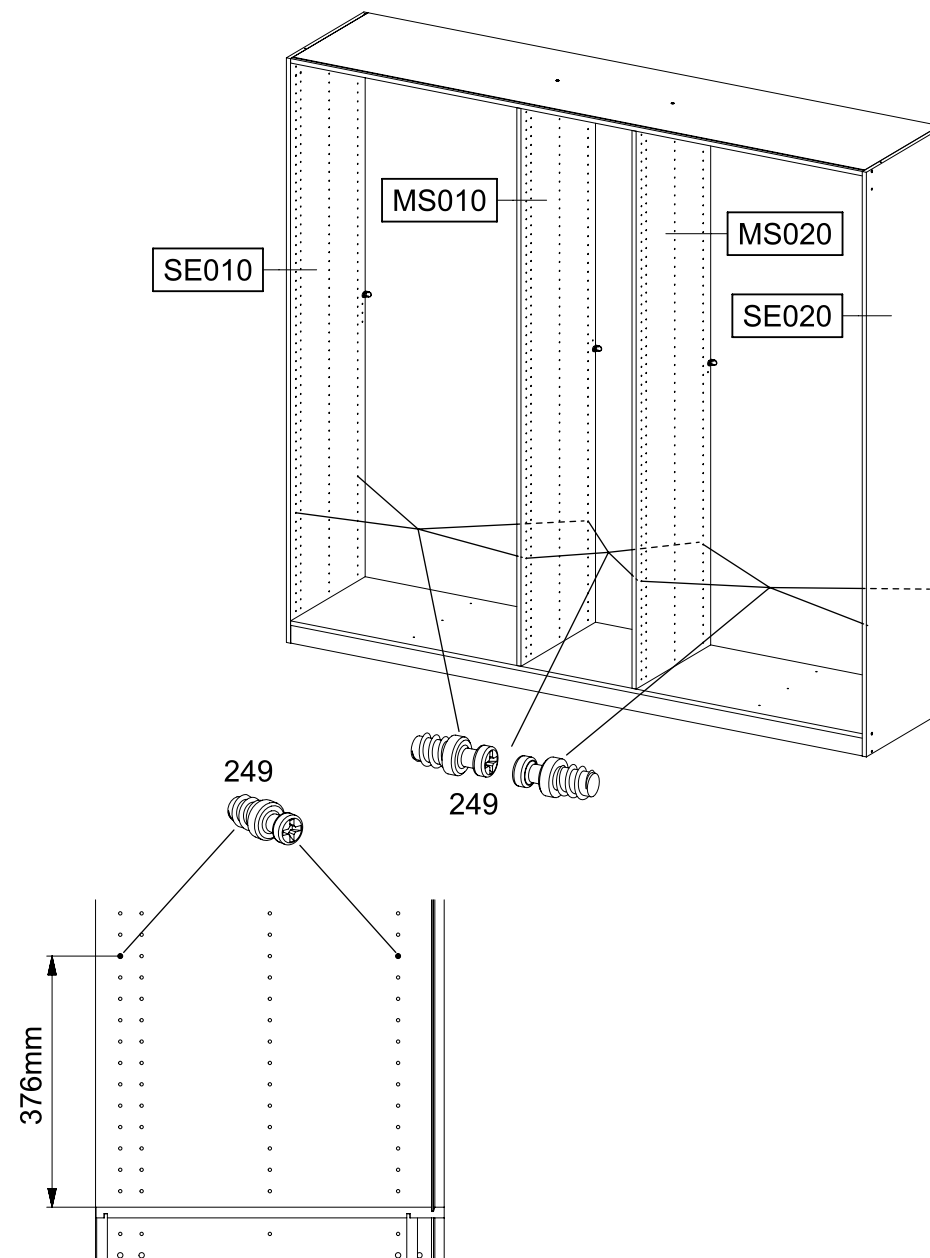
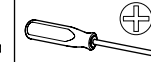
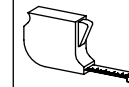
4,5x50

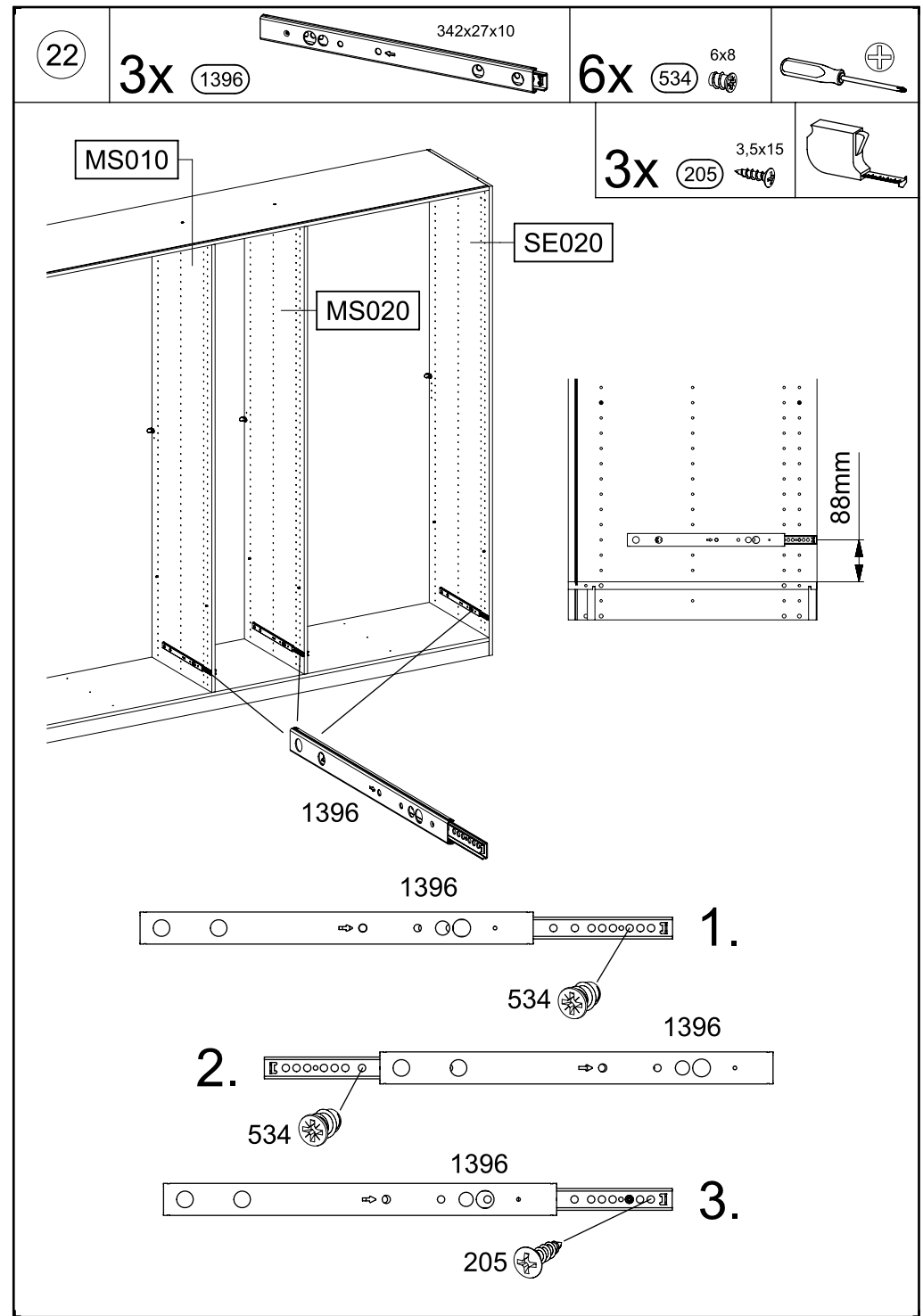
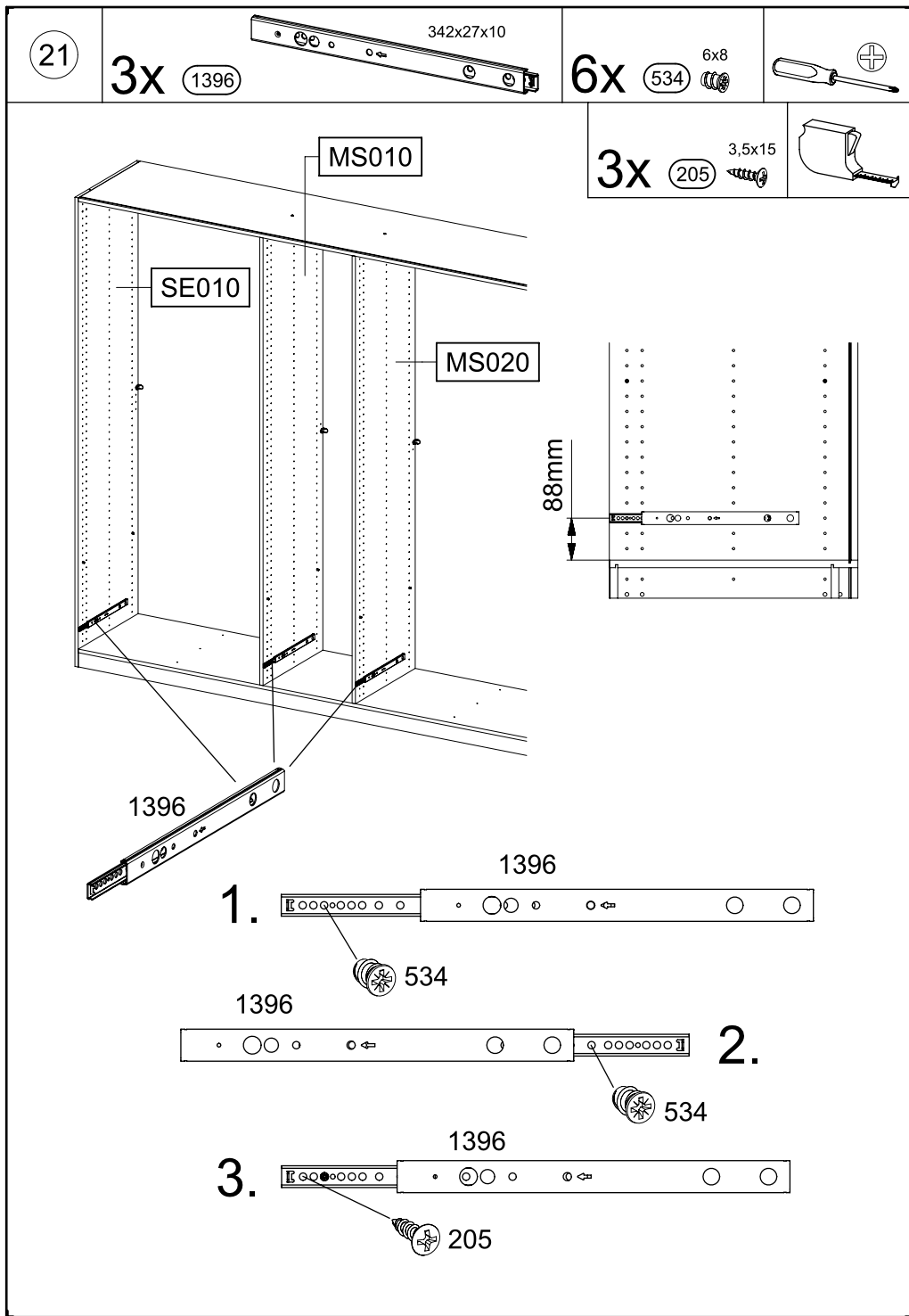


20

12x 249

5,0x7,0

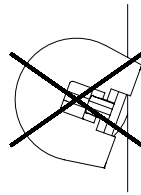
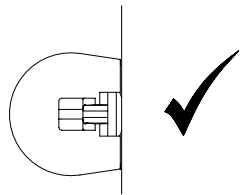
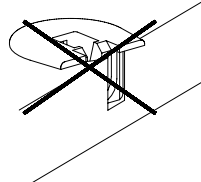
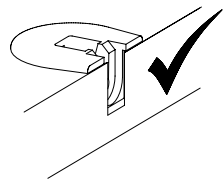
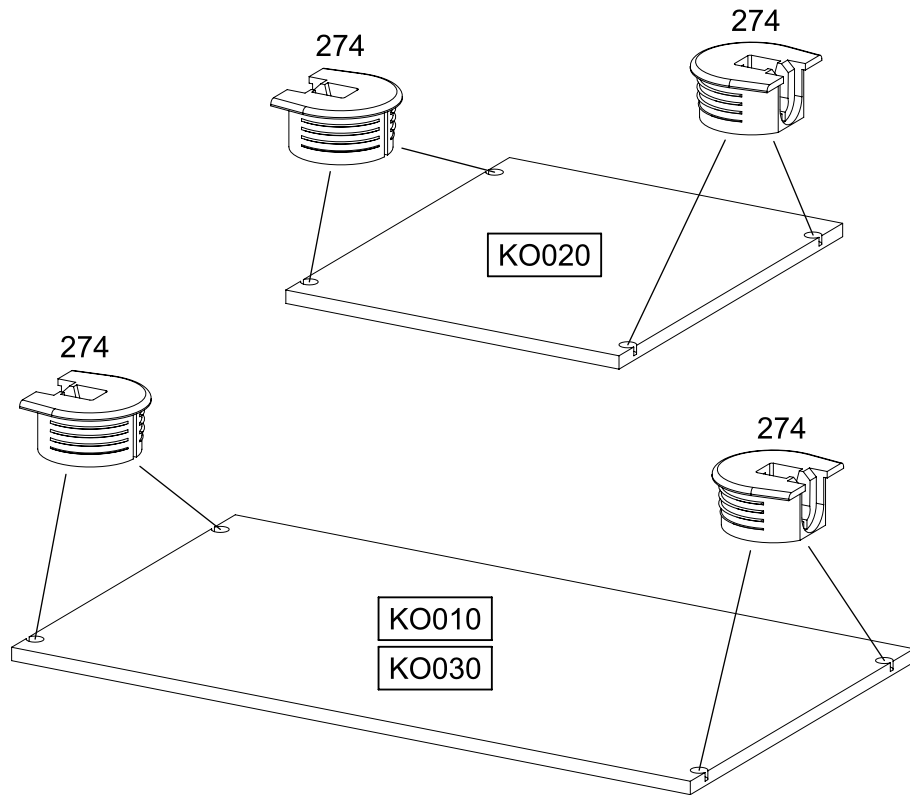
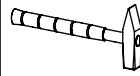




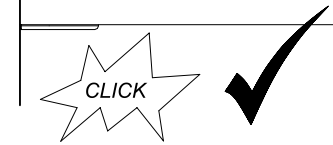
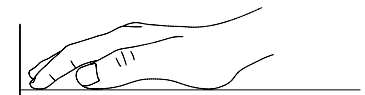
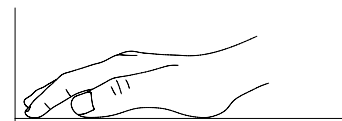
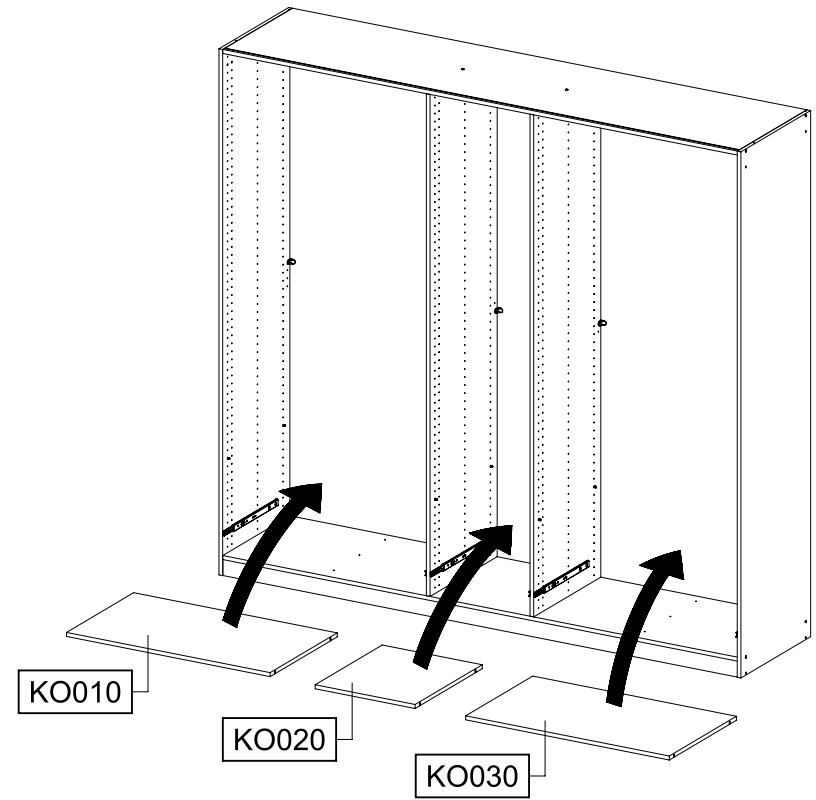
23

12x

274

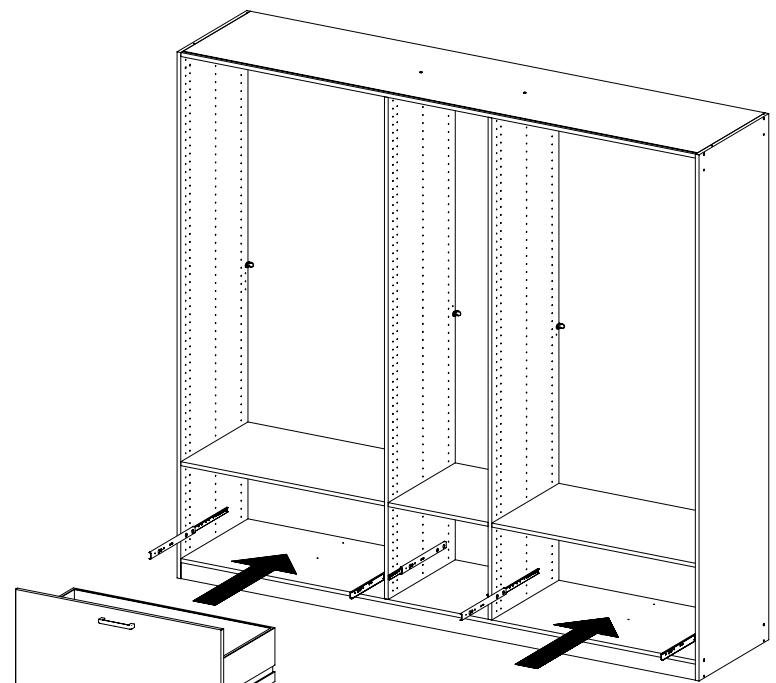
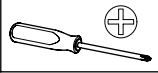


24

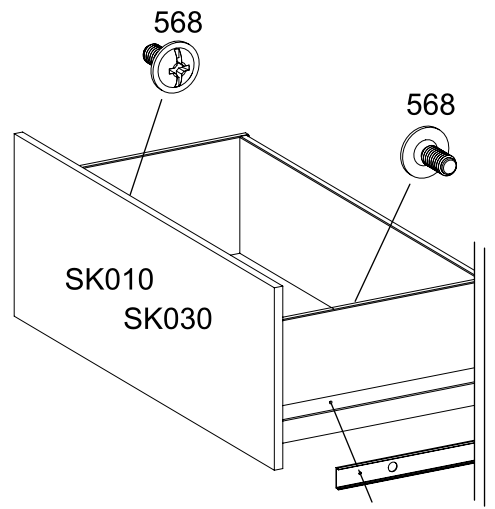


25

4x 568 M4x9

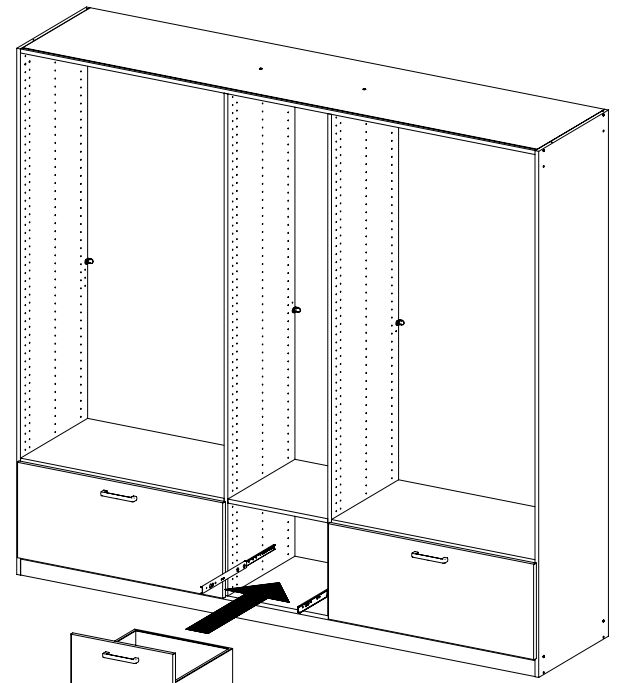
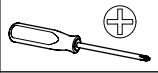


SK010
SK030

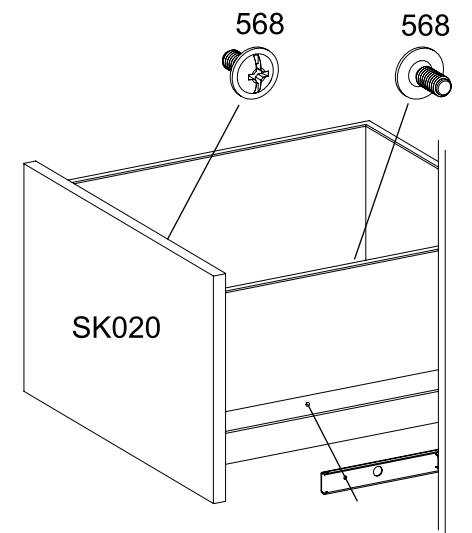


26

2x 568 M4x9

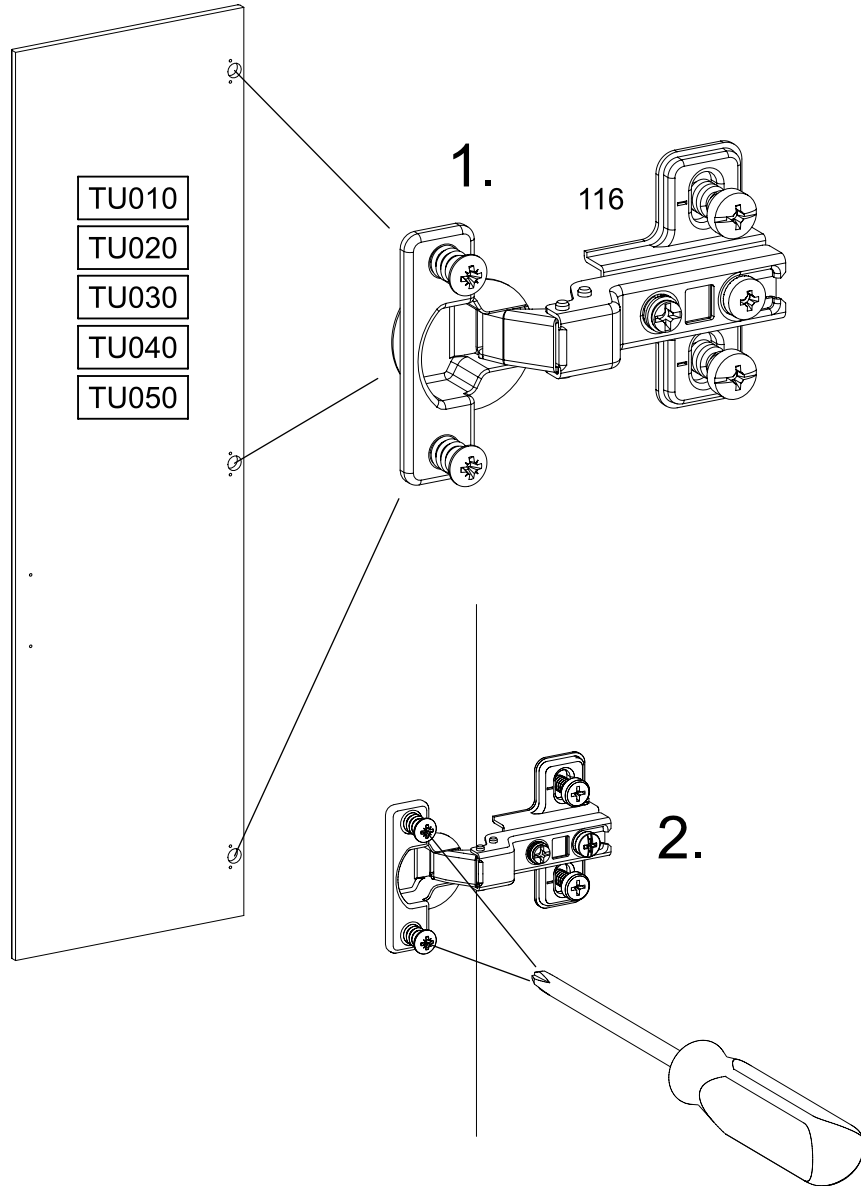
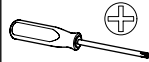
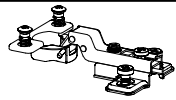


SK020

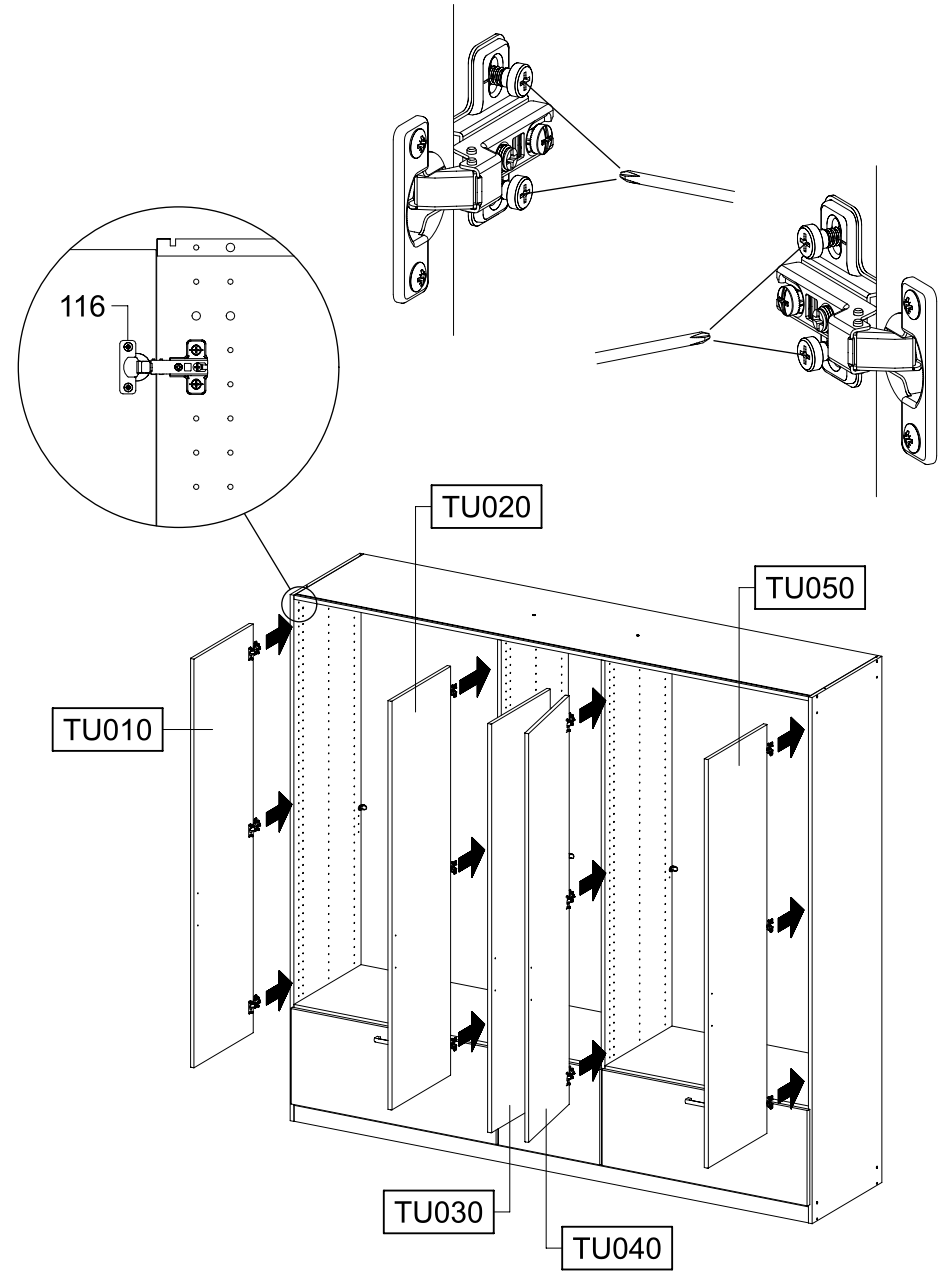
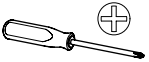


27

15x 116



28

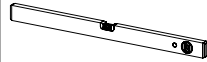
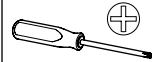
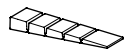


29

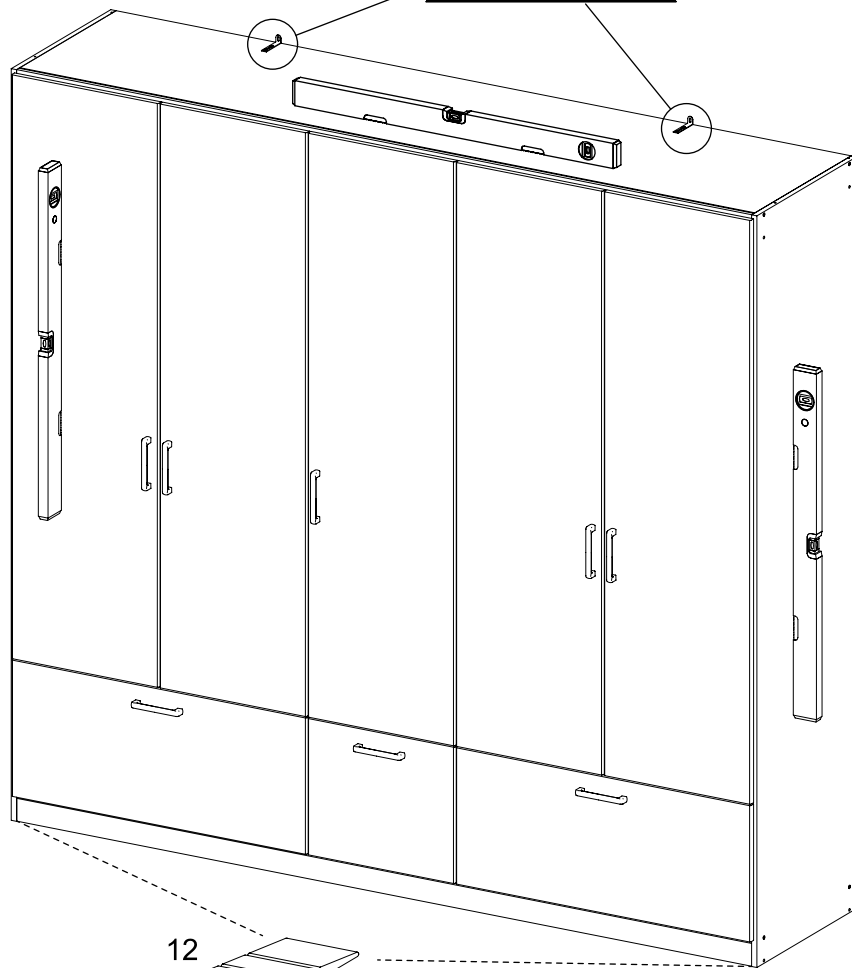
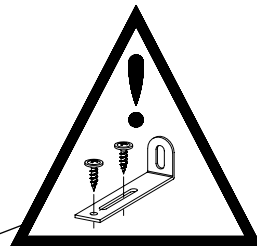
2x

12

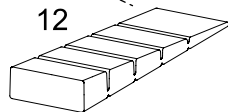
55x16x6,2



VIDEO



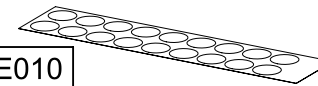
12



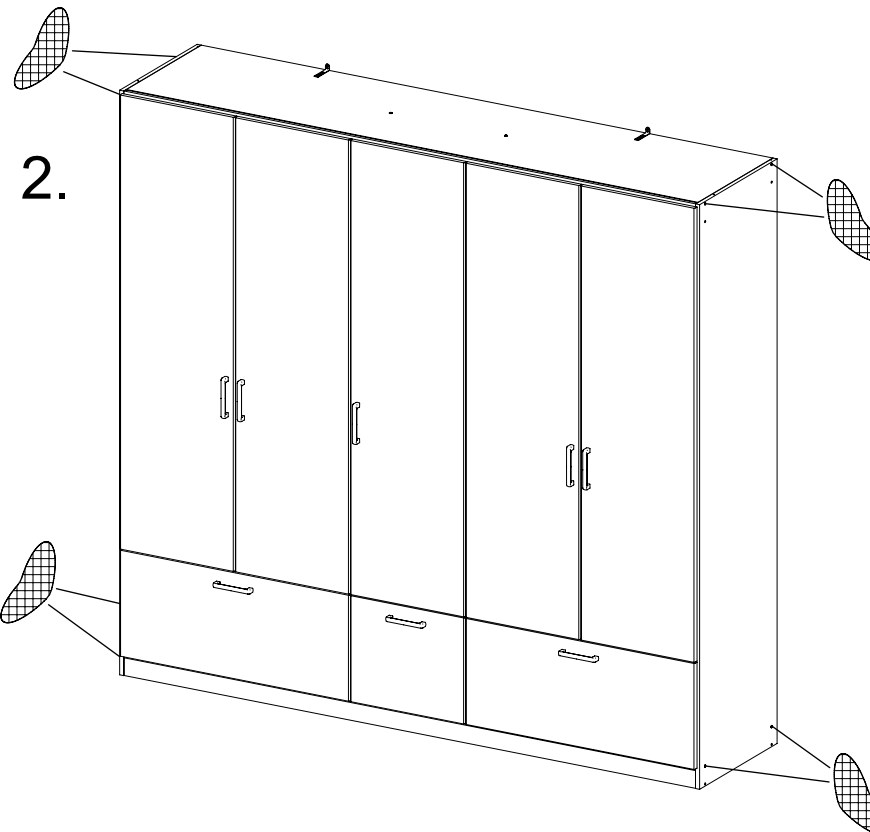
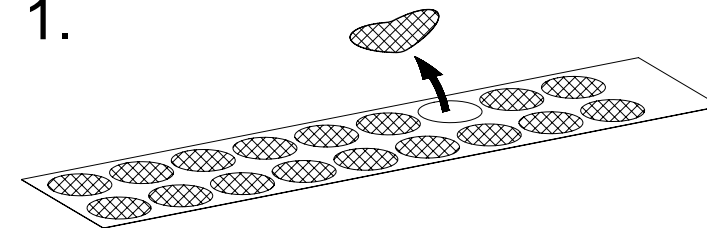
30

1x

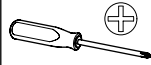
RE010



1.



2.



VIDEO

