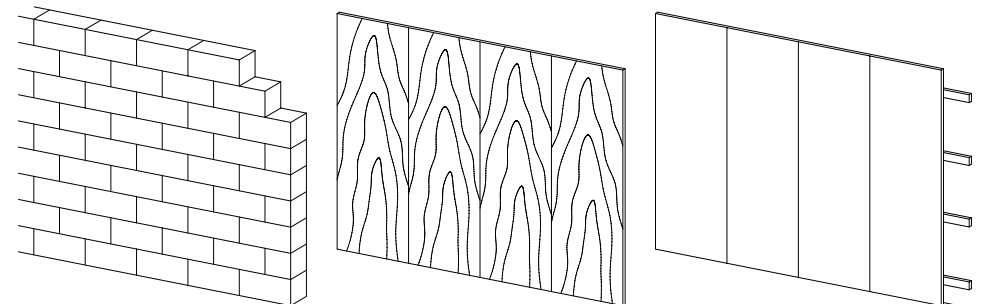
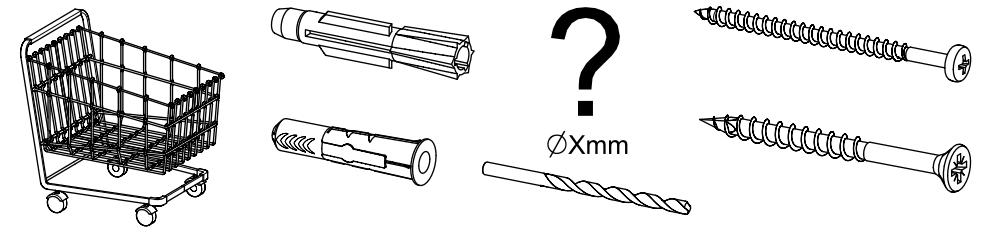
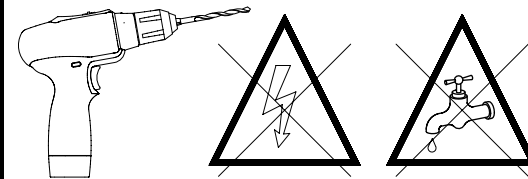
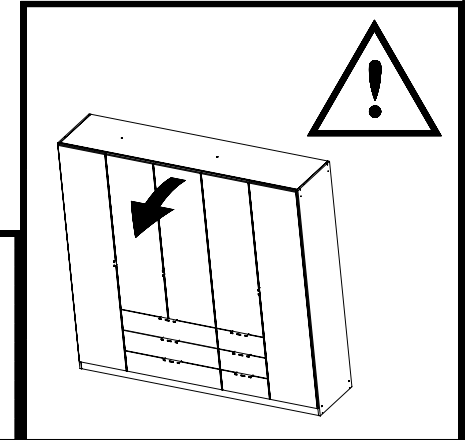
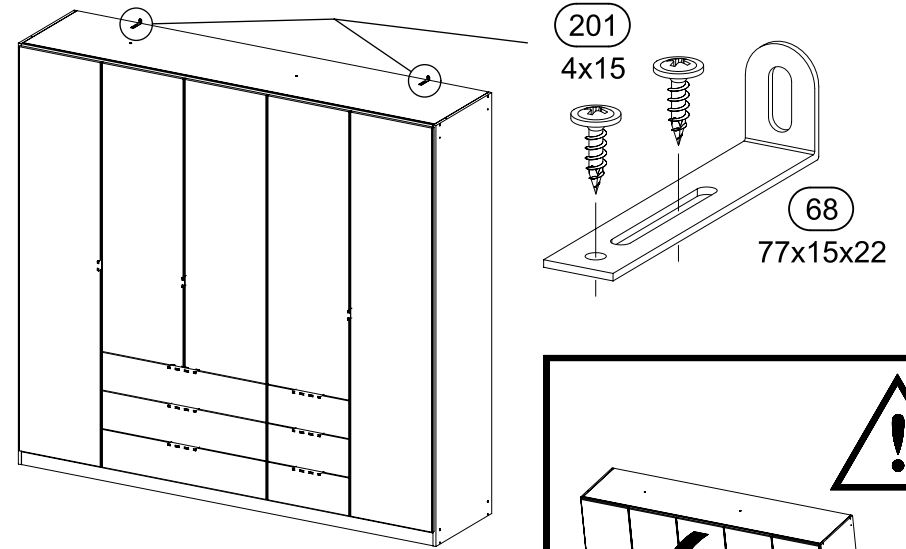
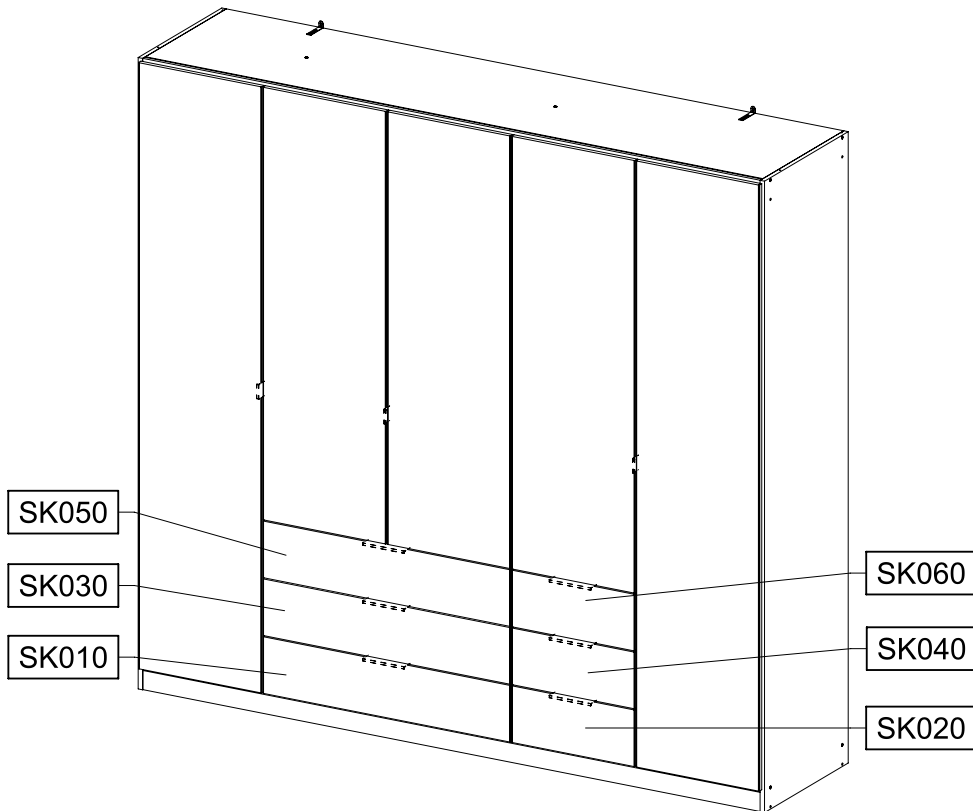
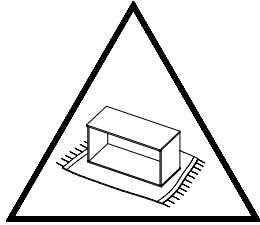
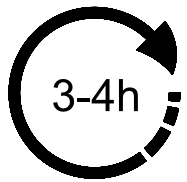
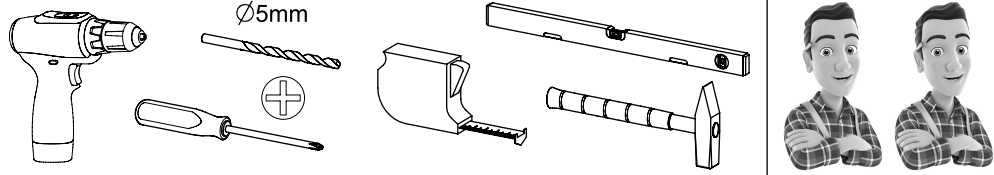
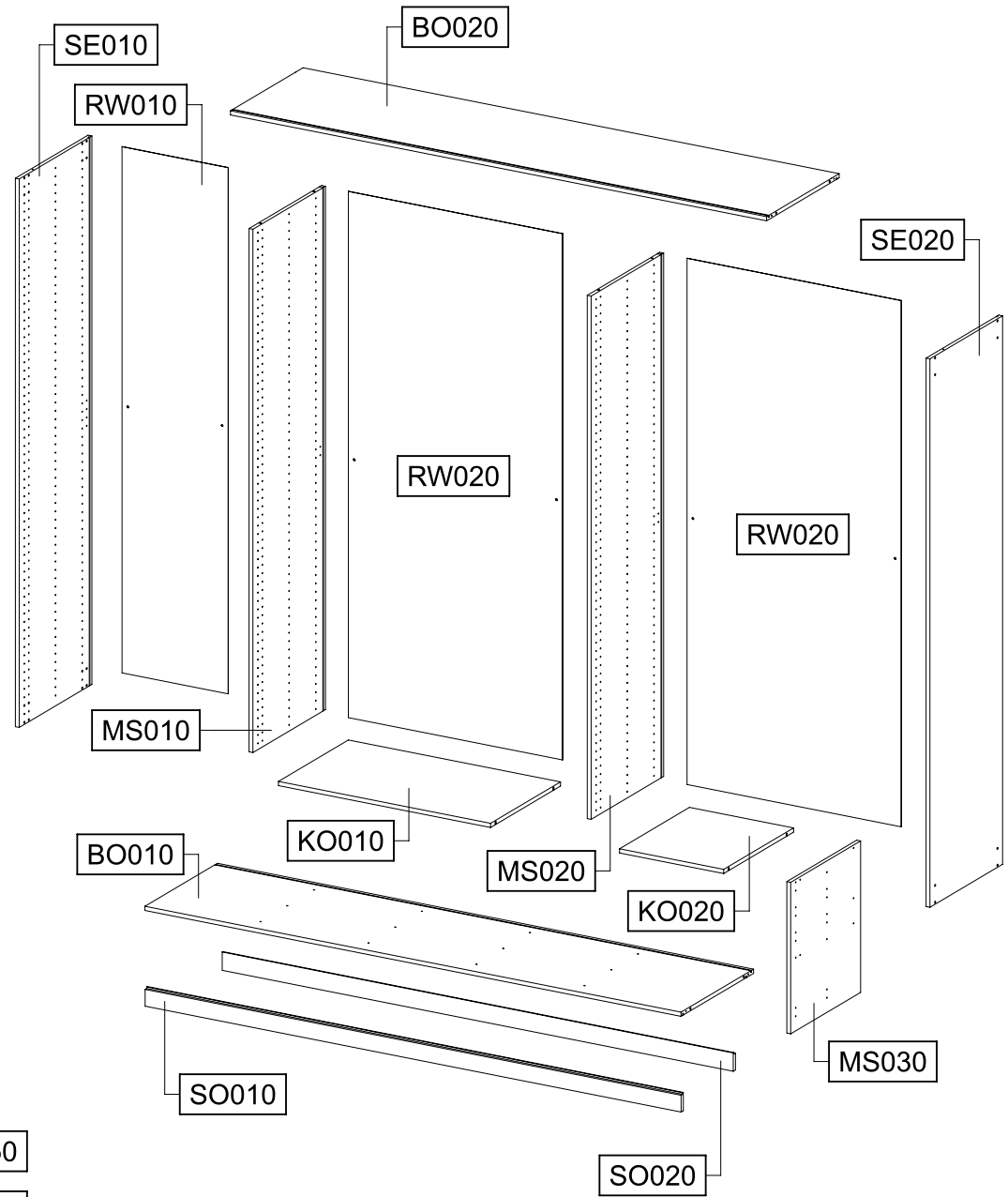
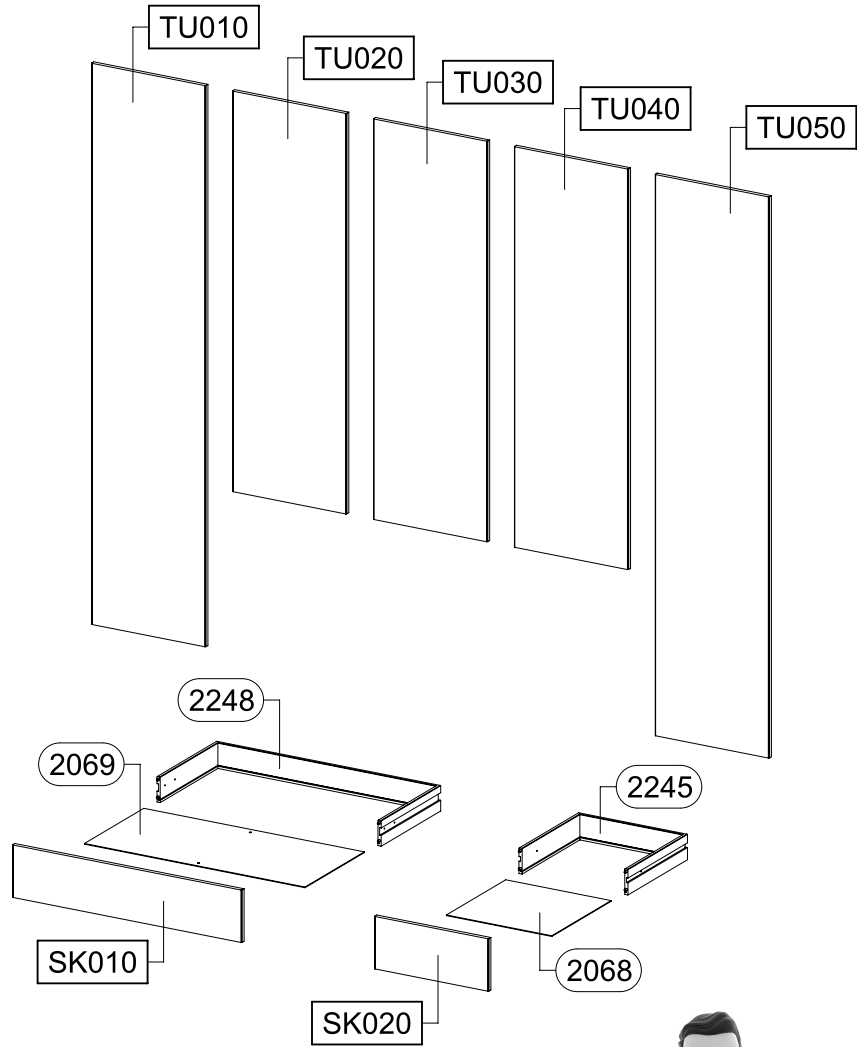
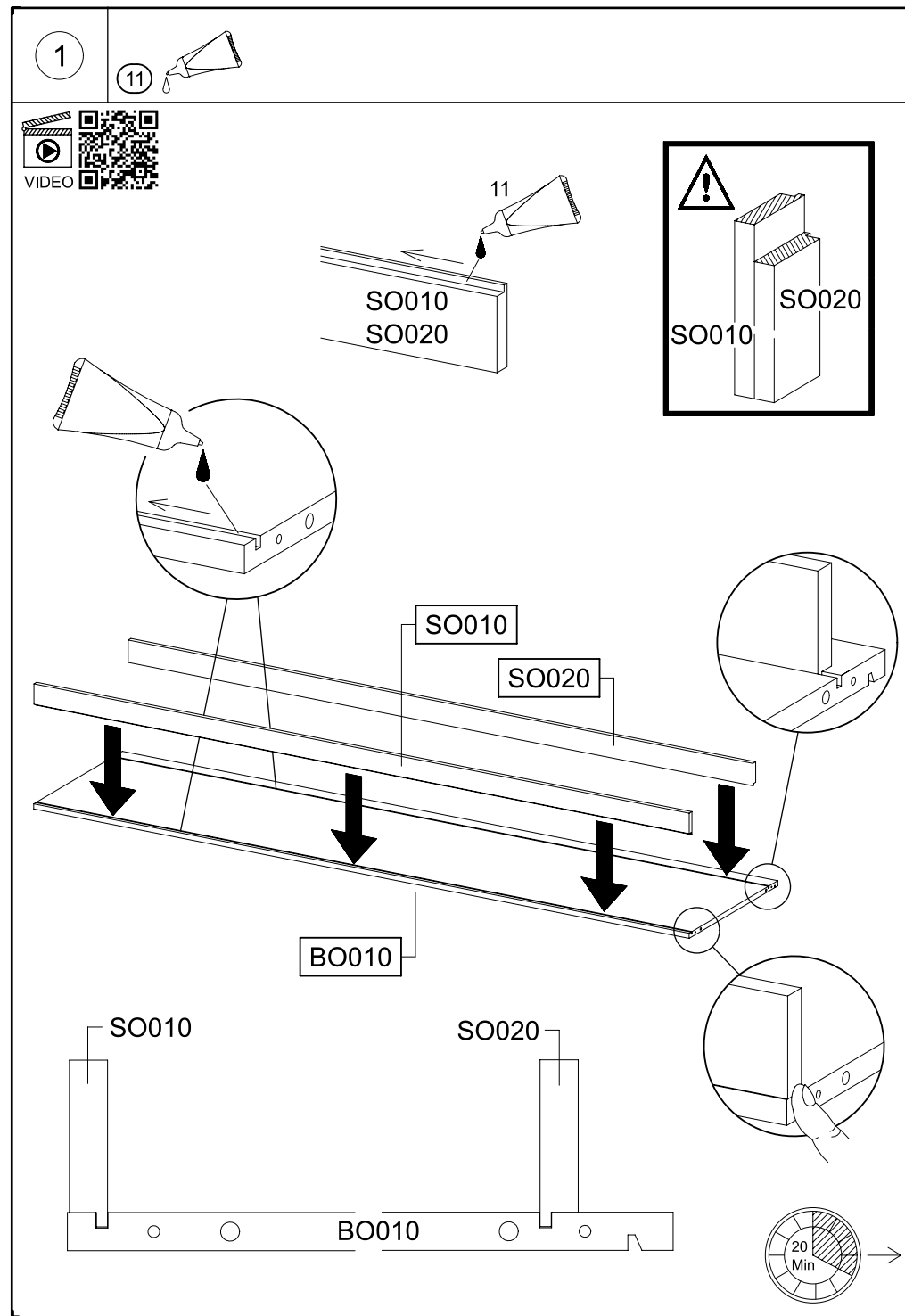
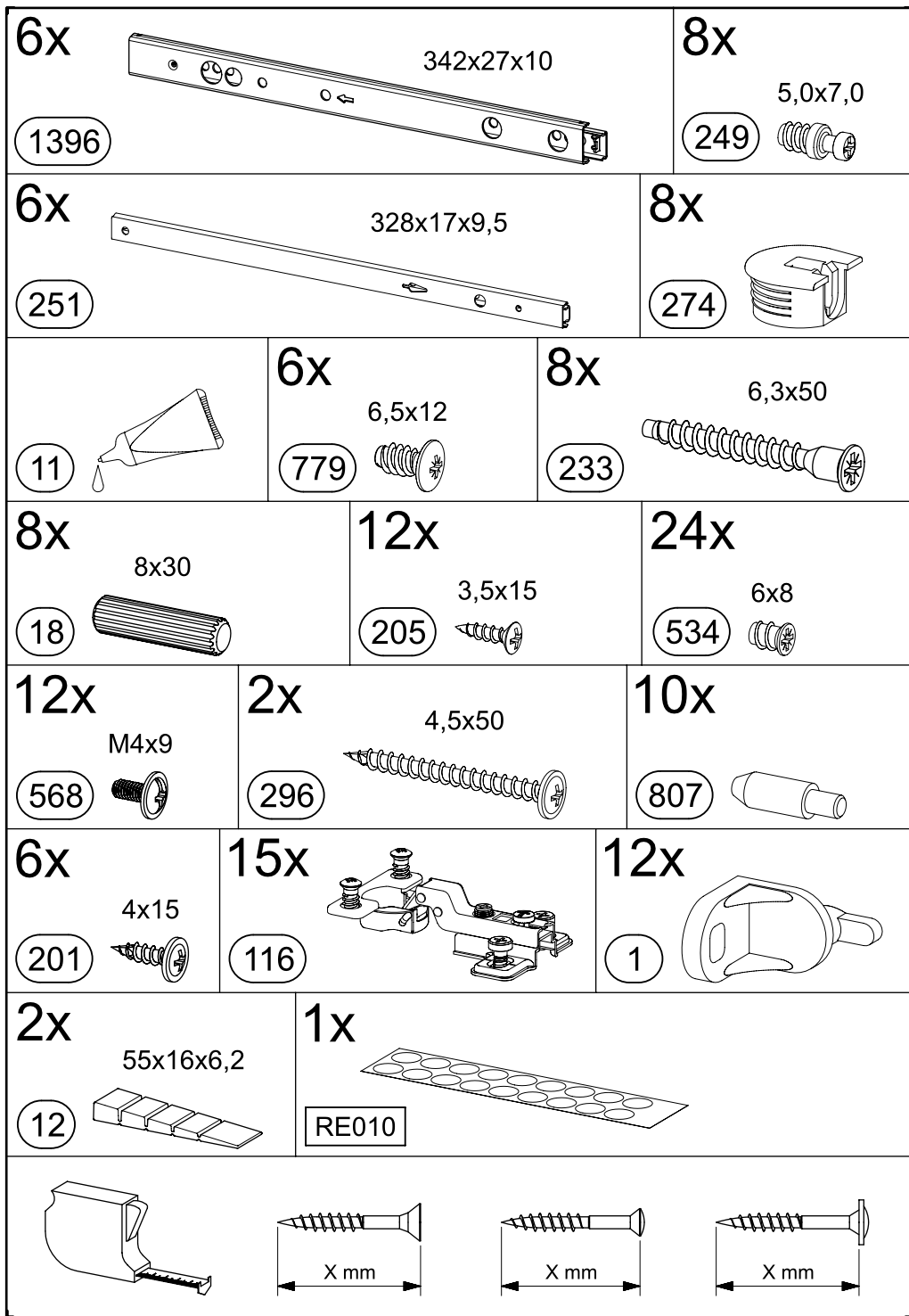


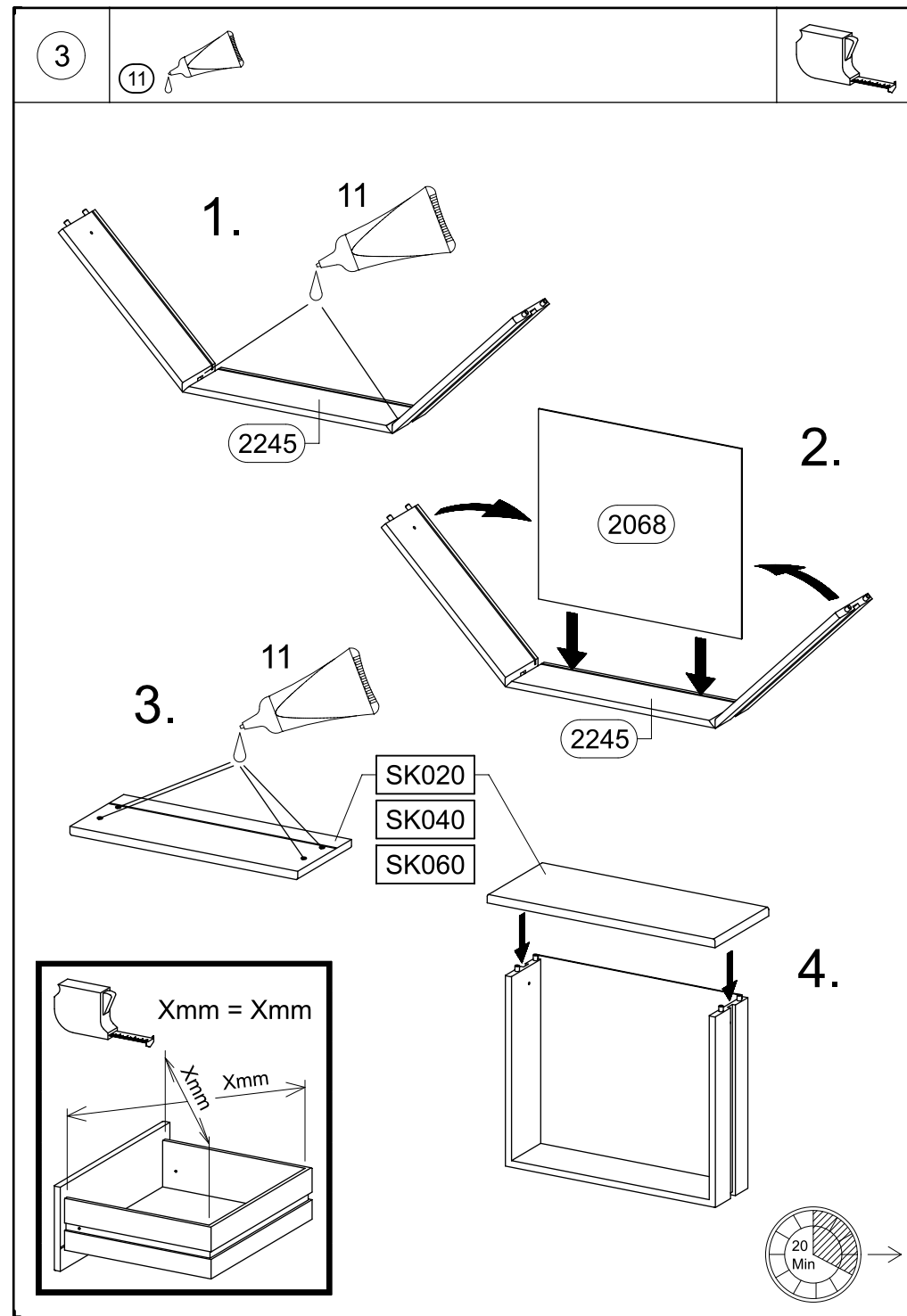
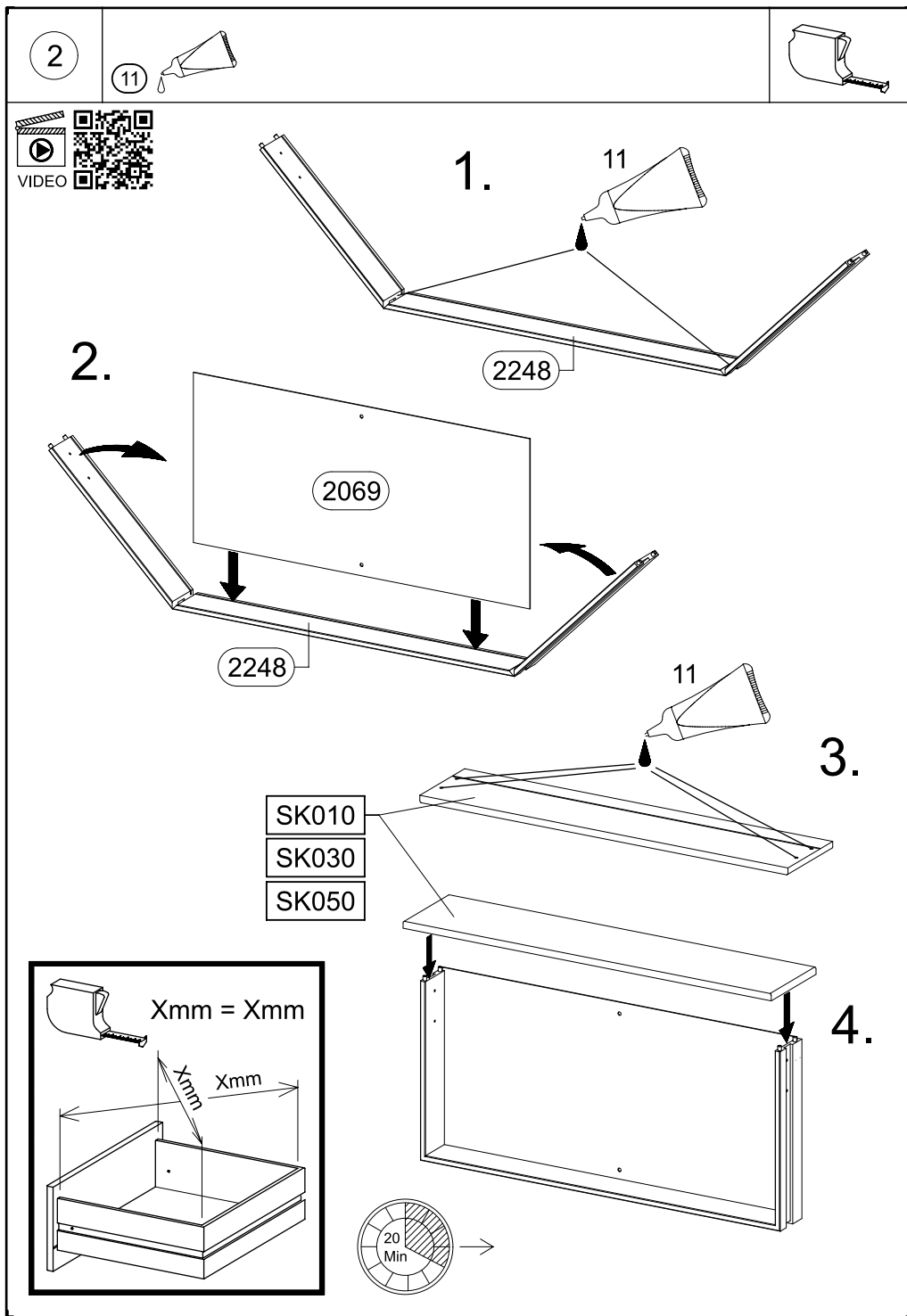
M2866_02

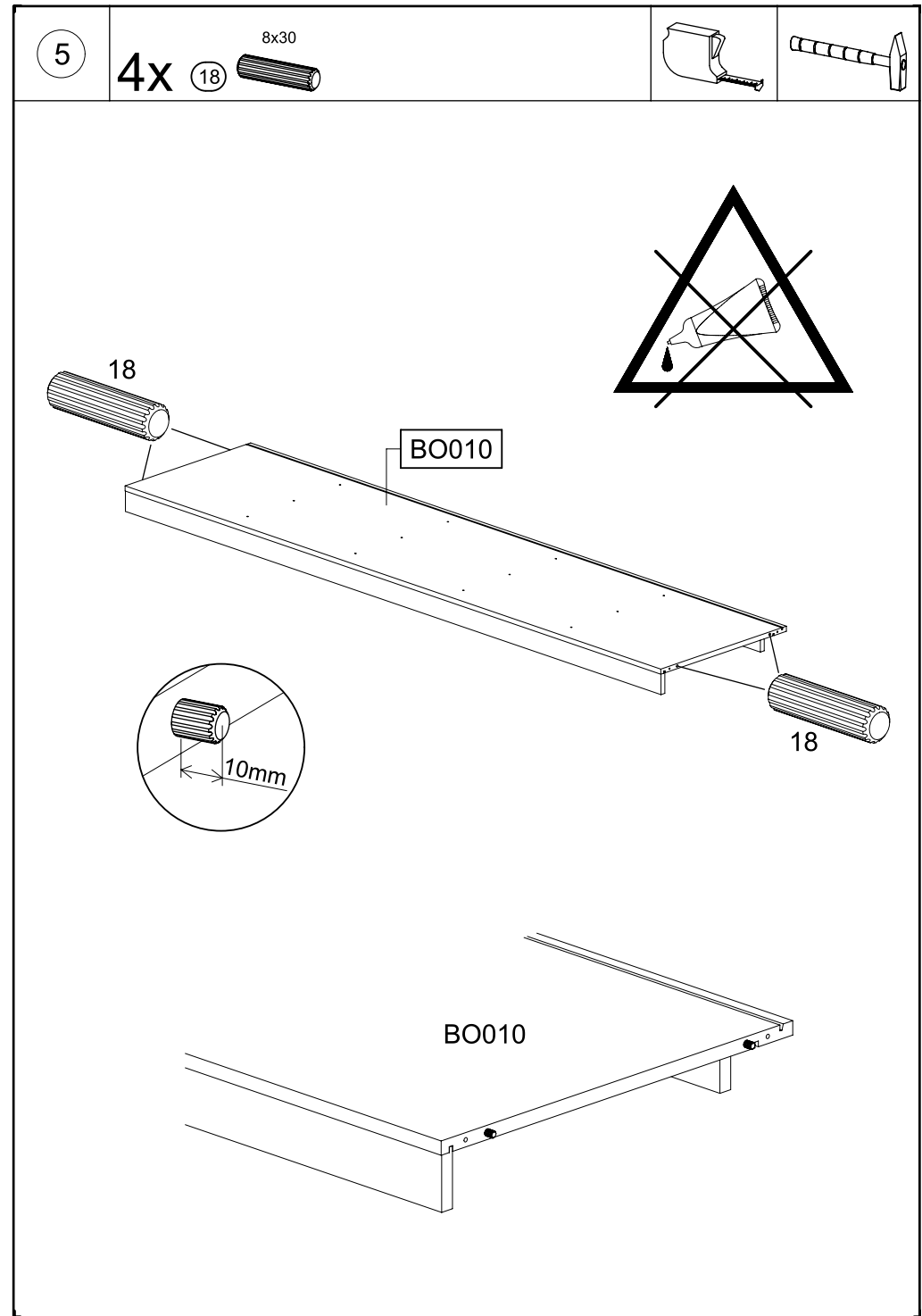
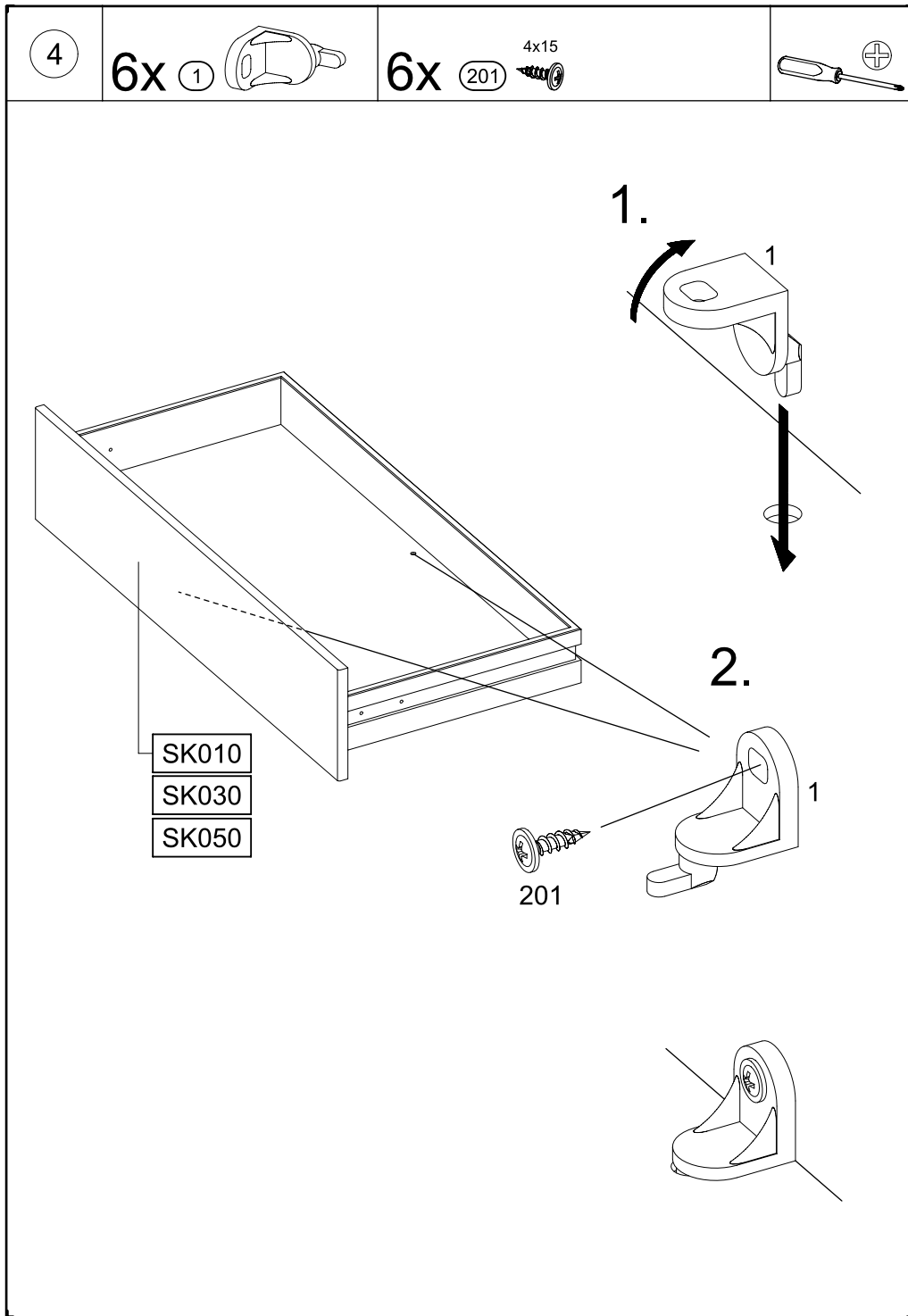


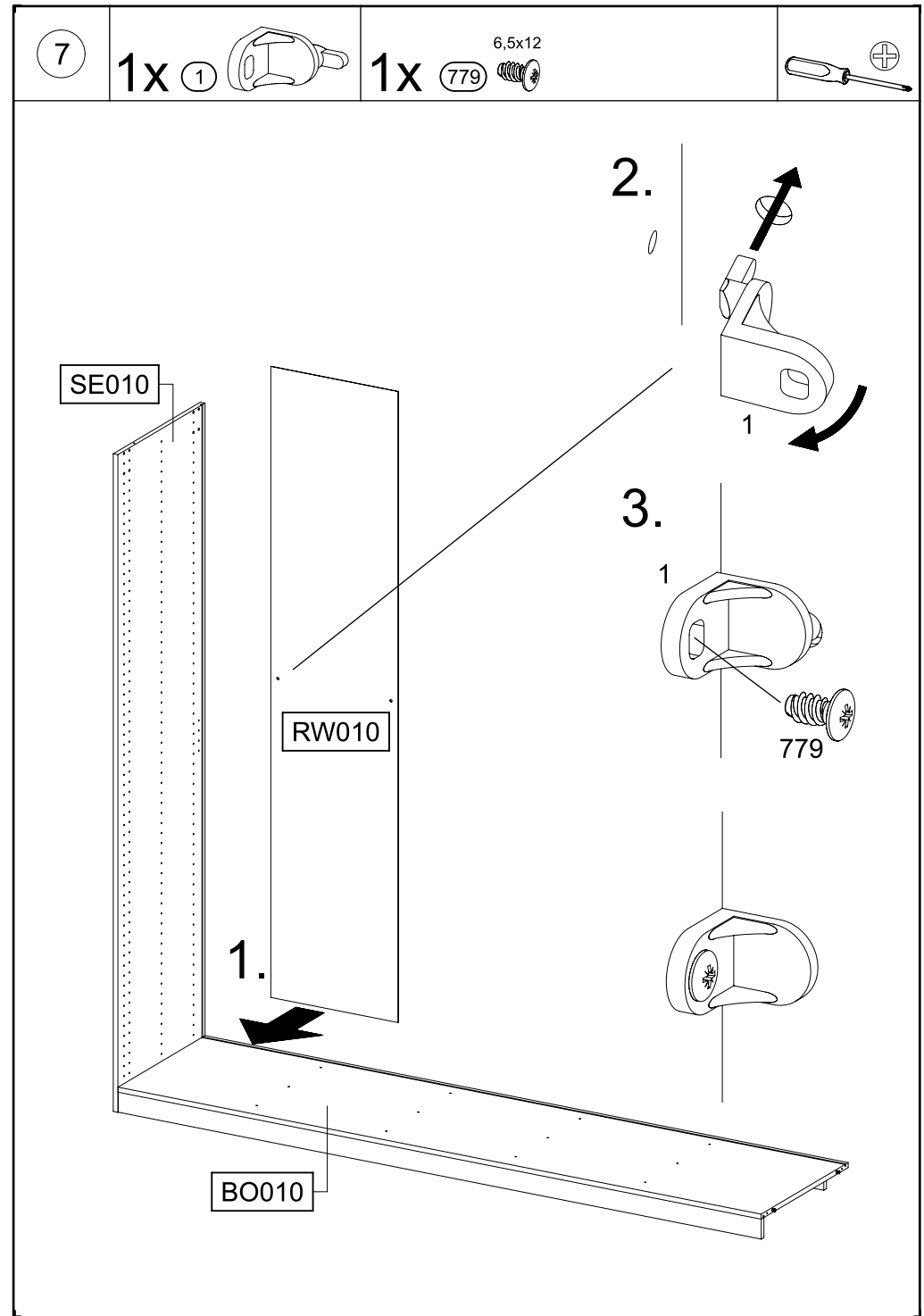
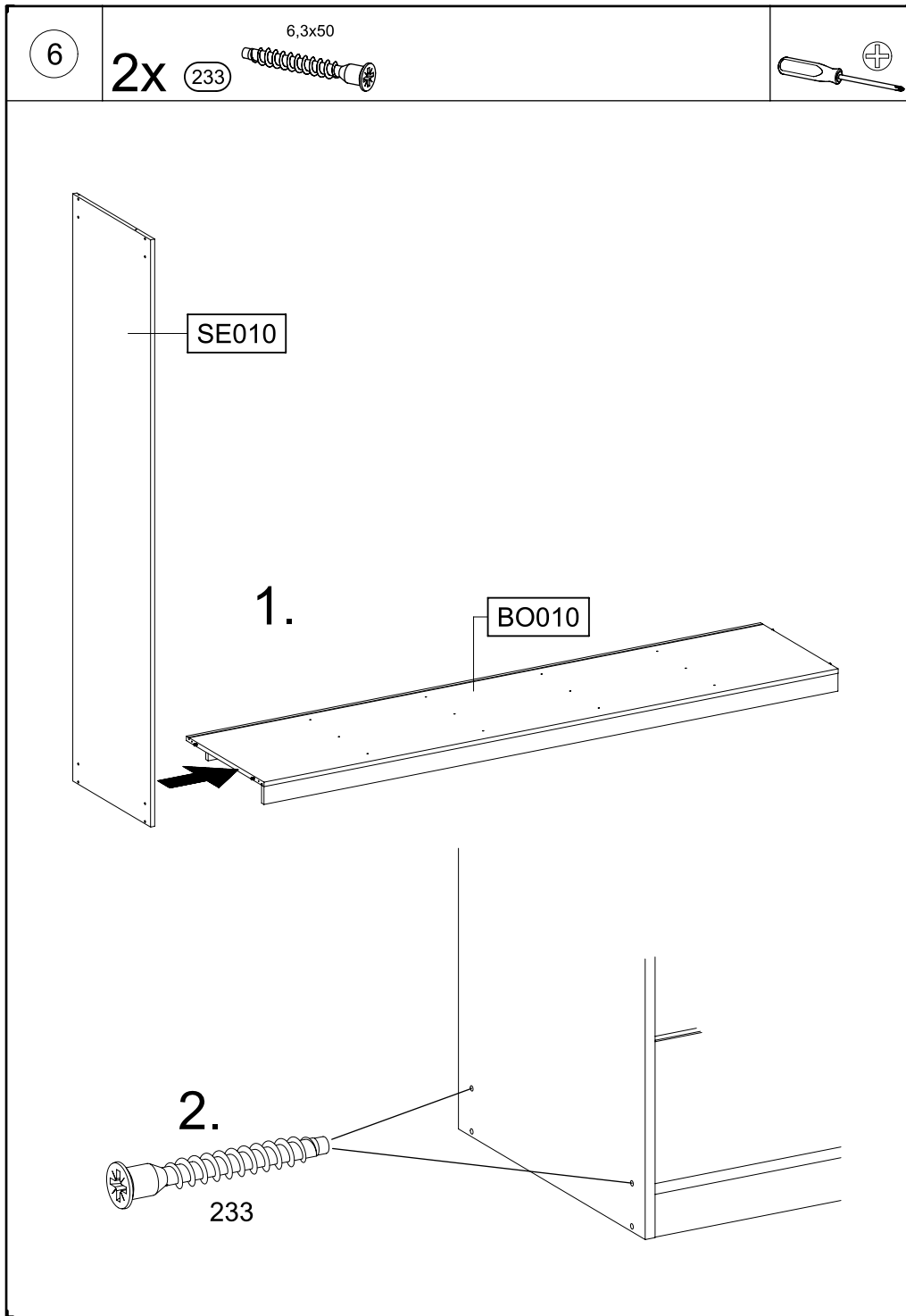


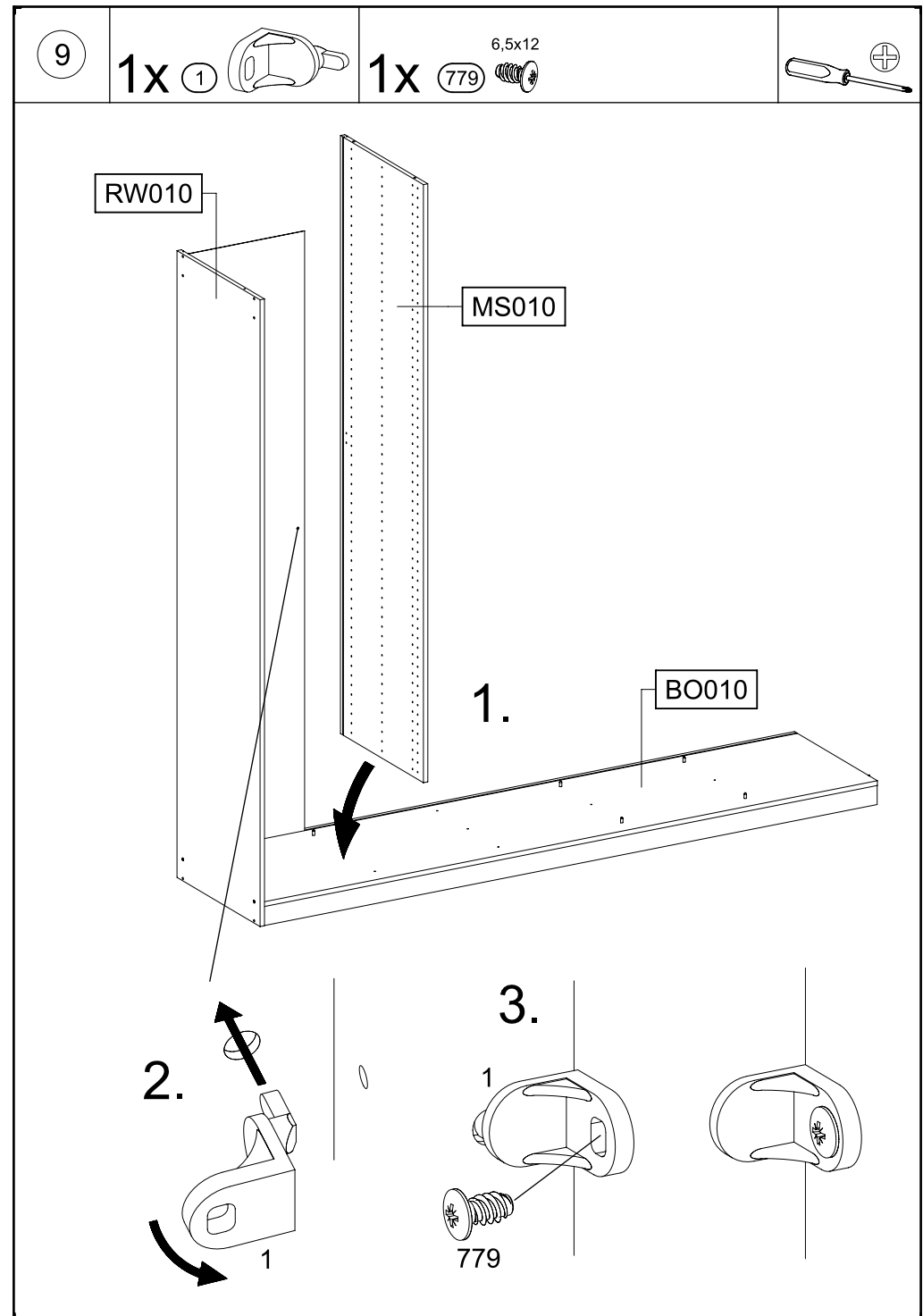
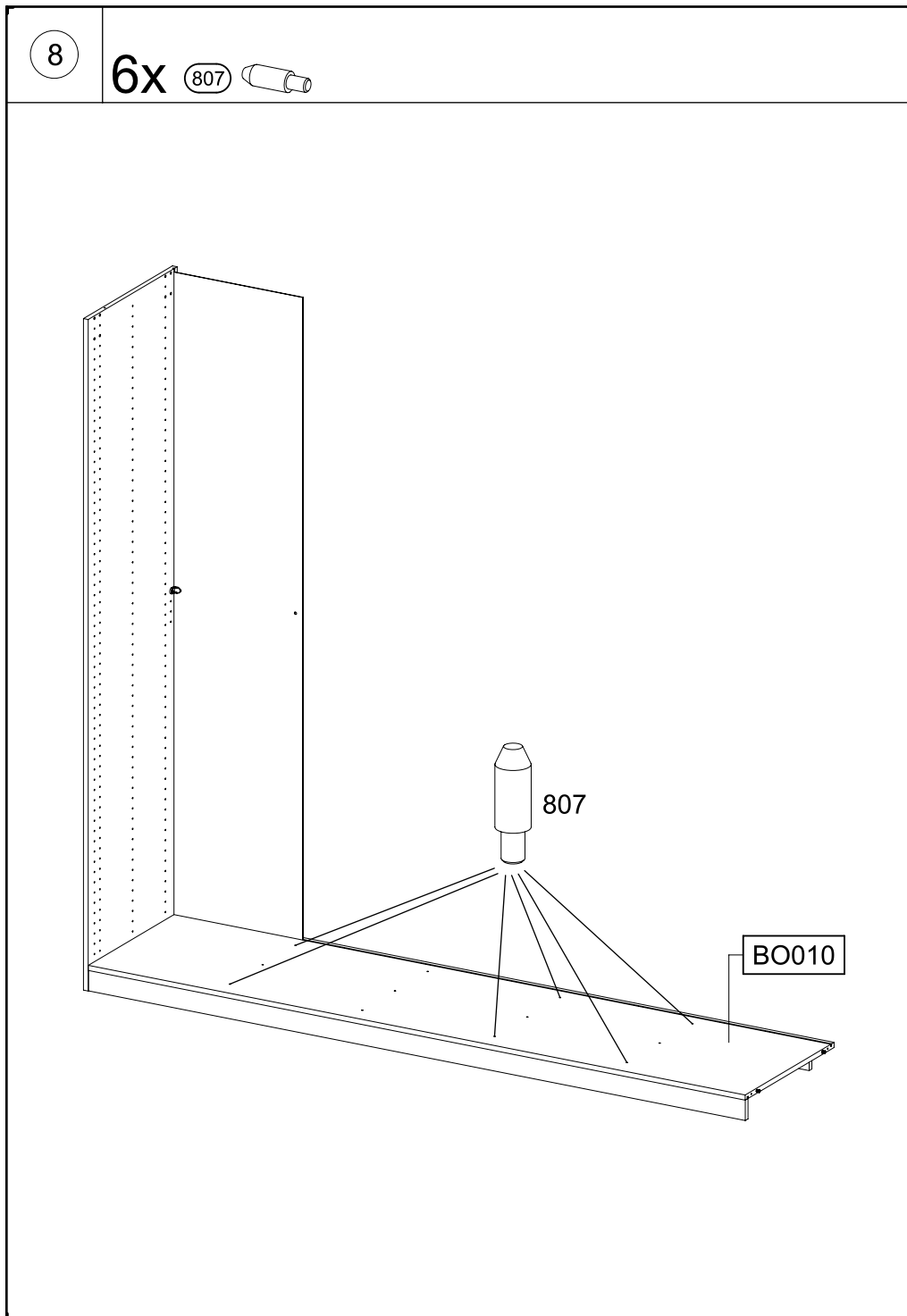
SK010 = SK030 = SK050
 SK020 = SK040 = SK060

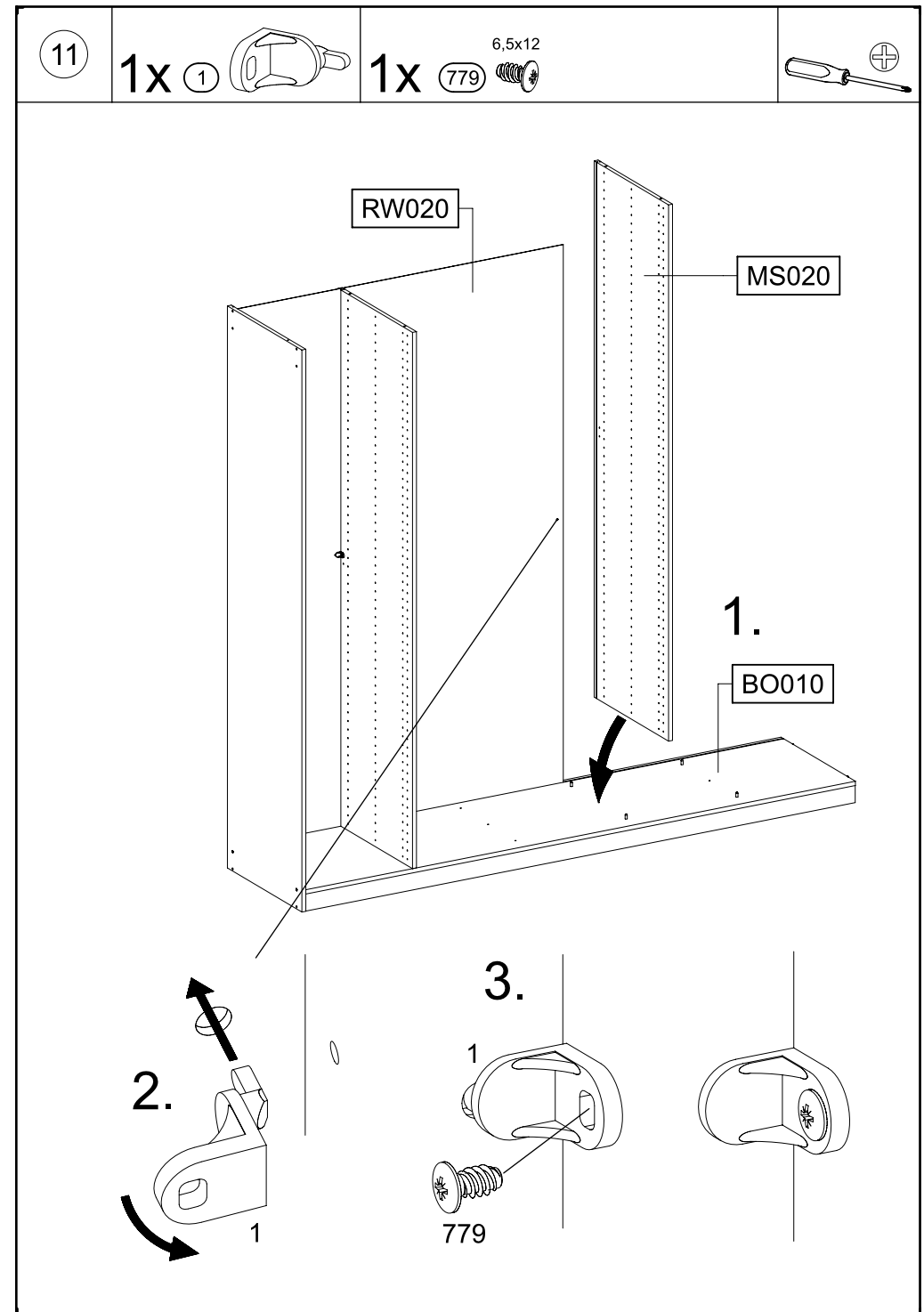
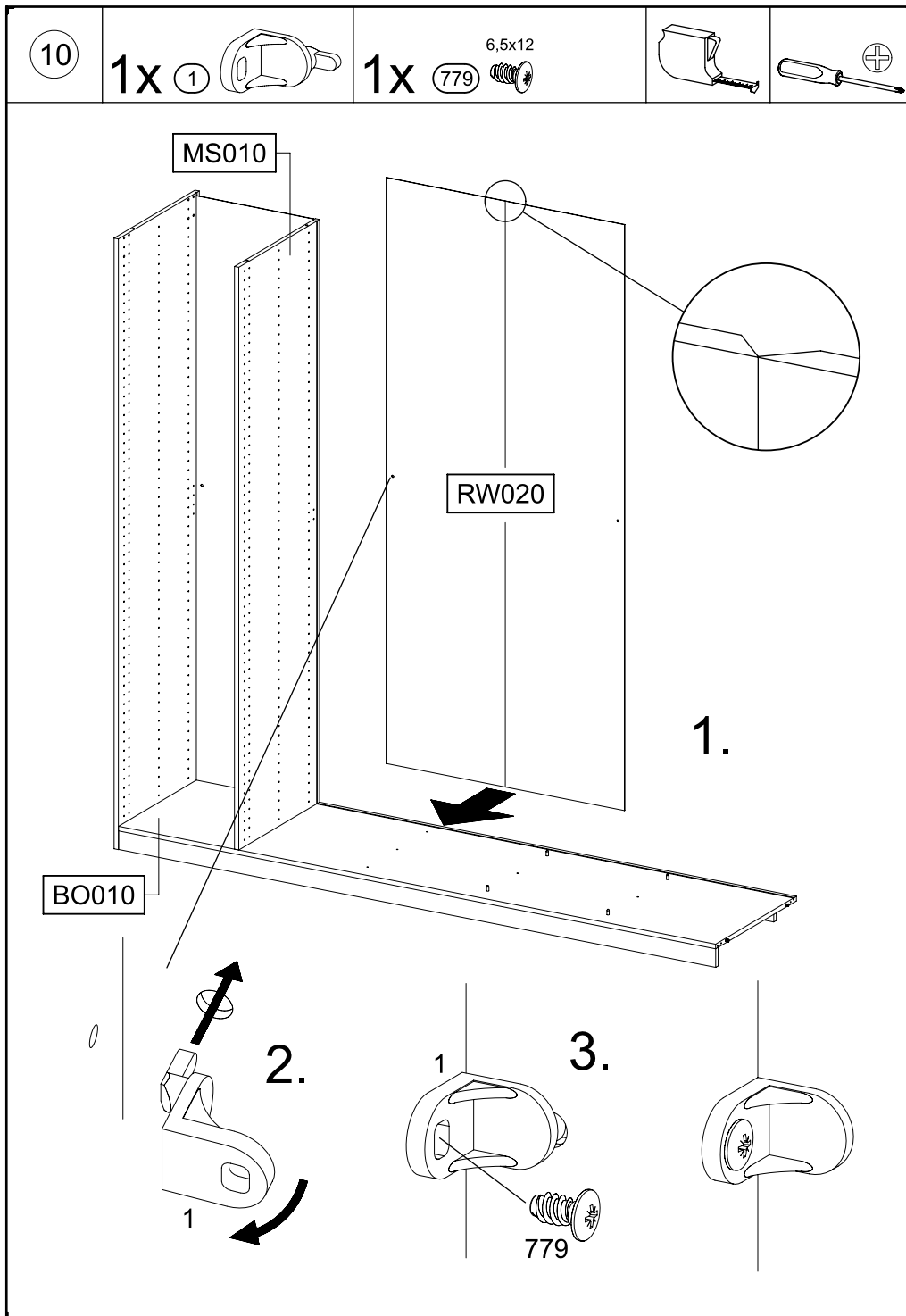






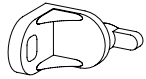






12

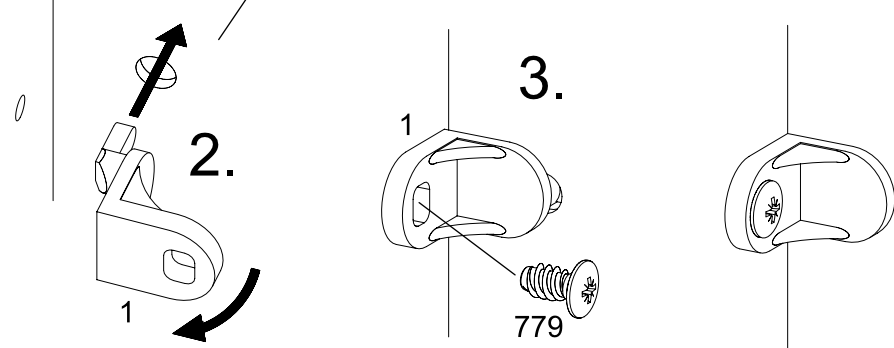
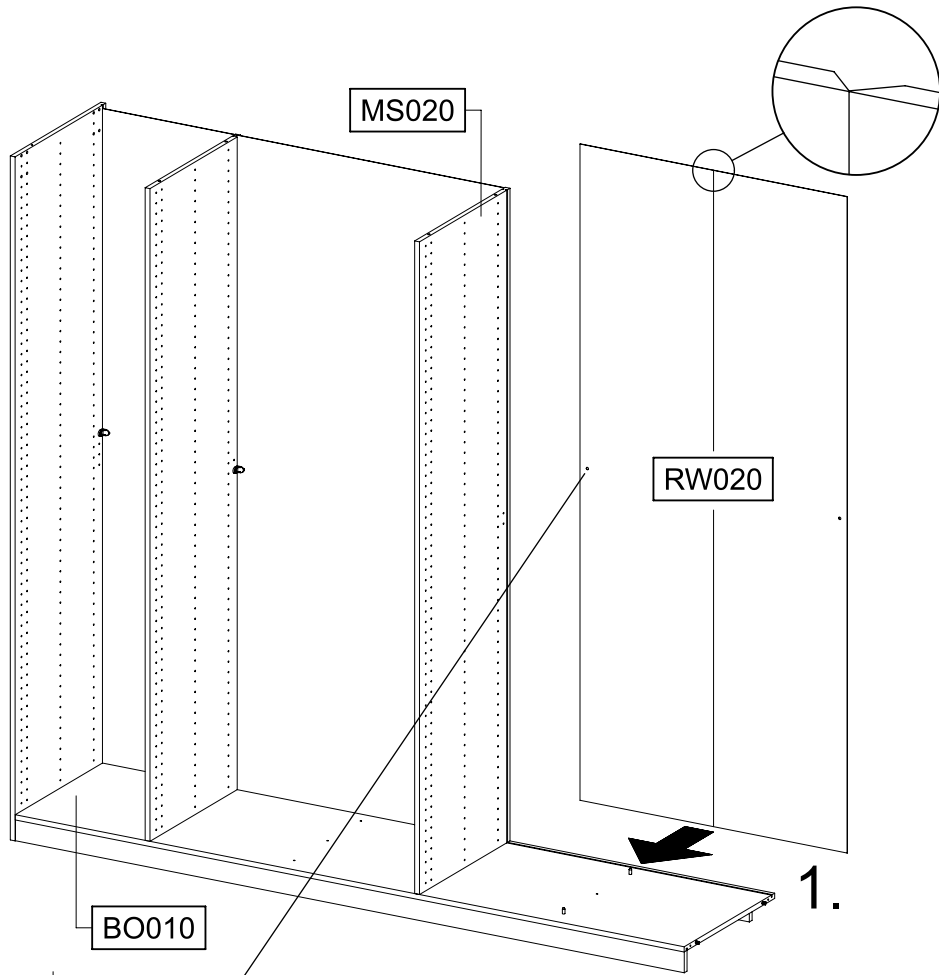
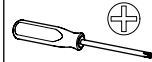
1x 1



1x

779

6,5x12



13

4x

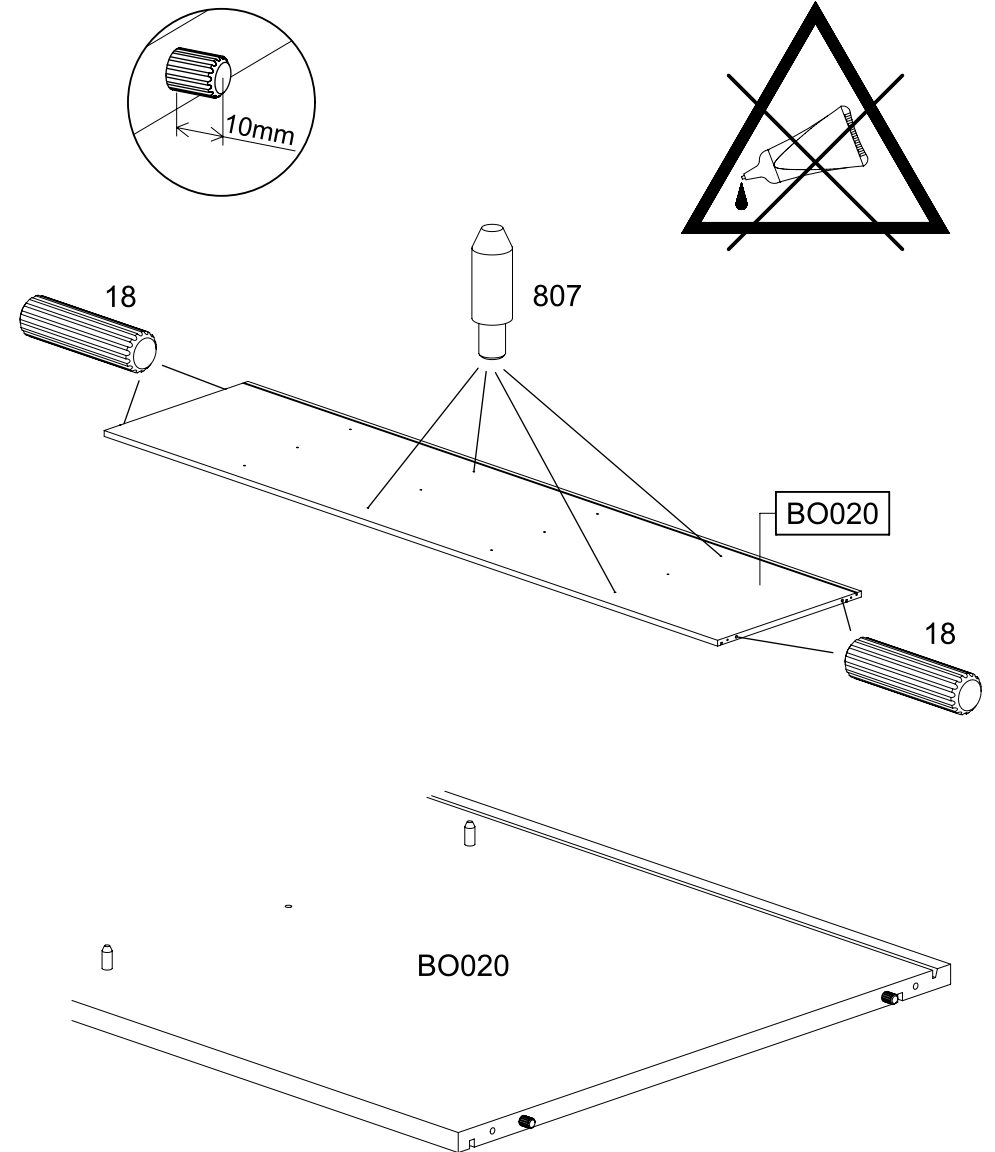
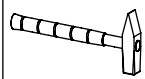
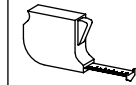
18

8x30

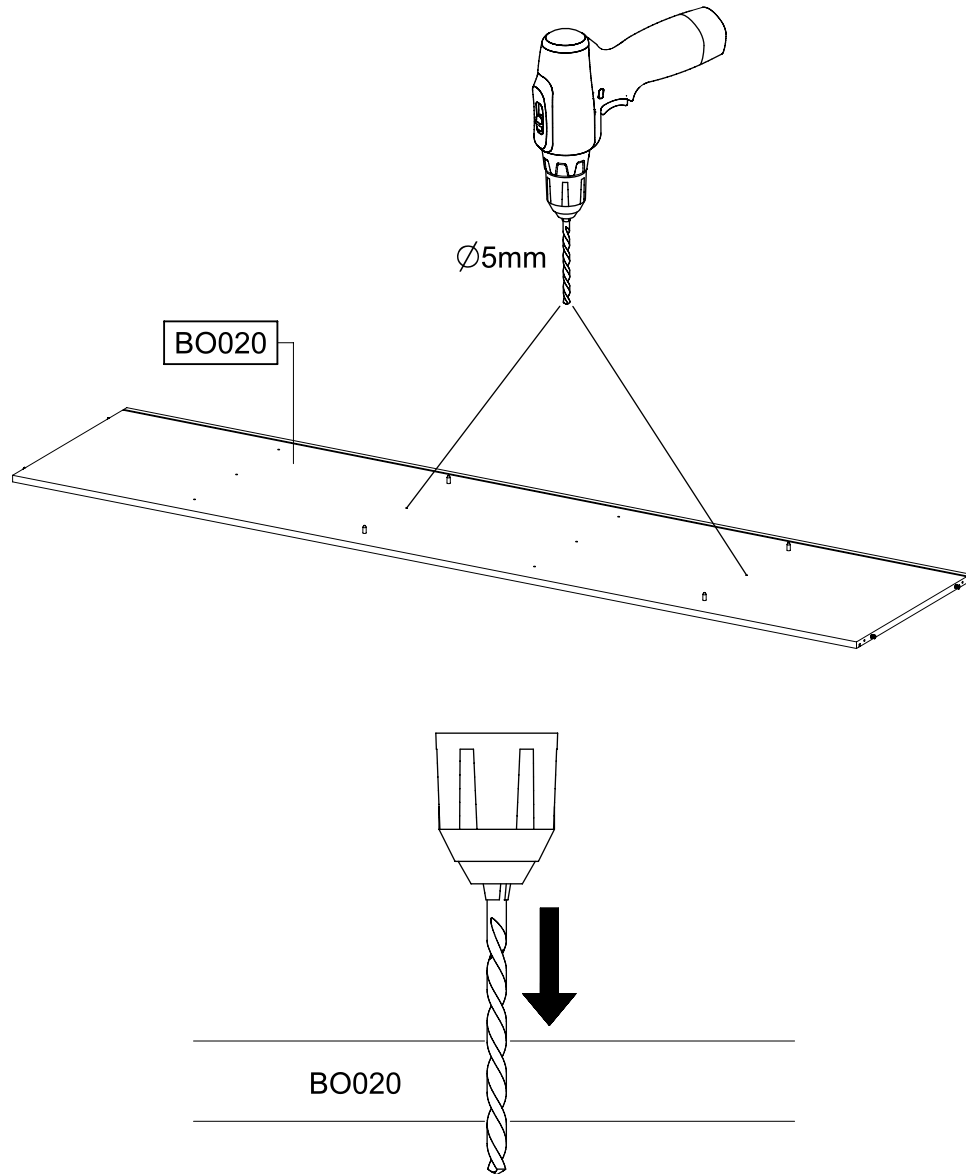
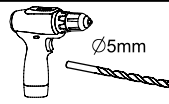


6x

807

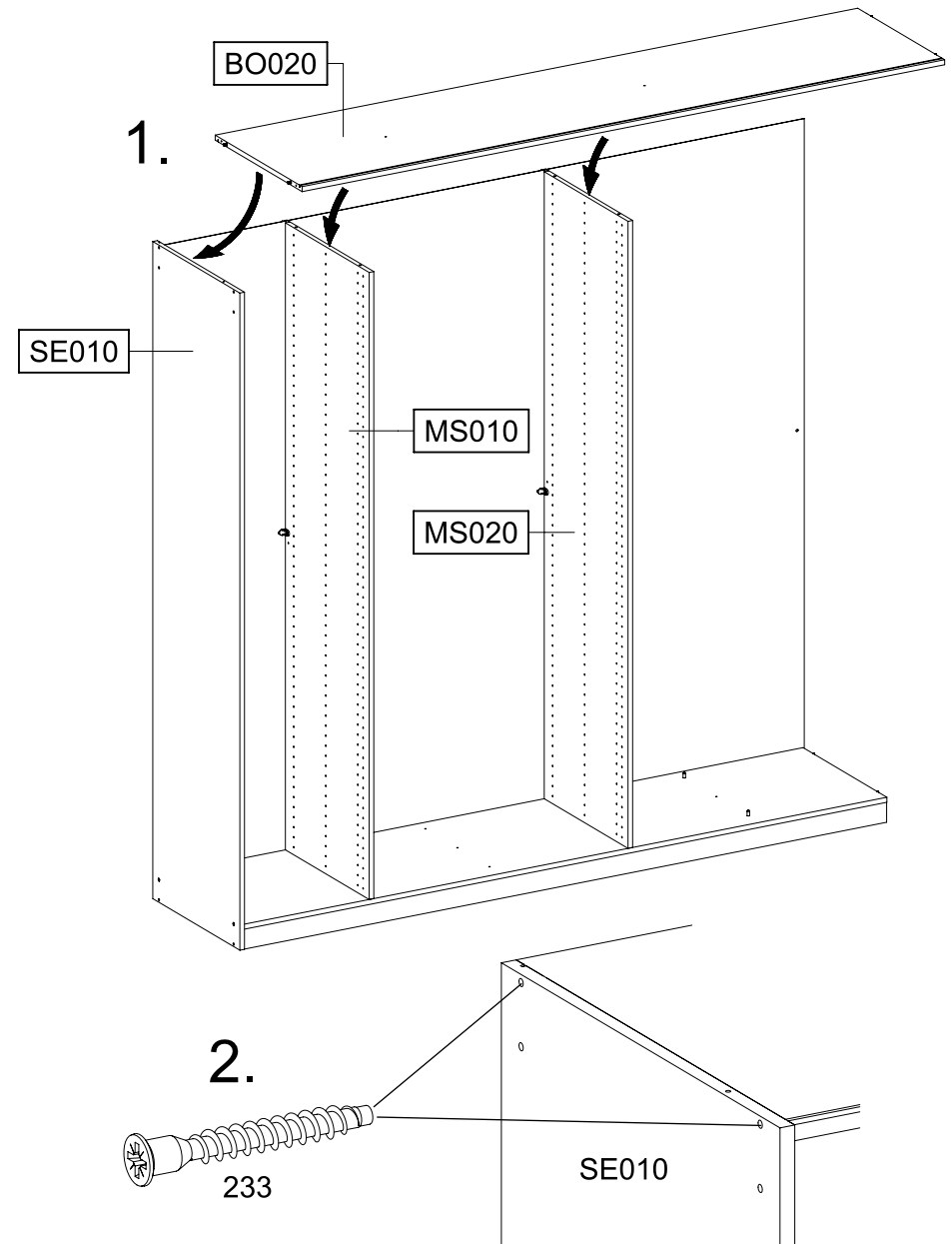
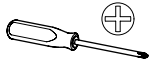
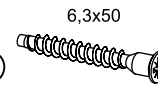


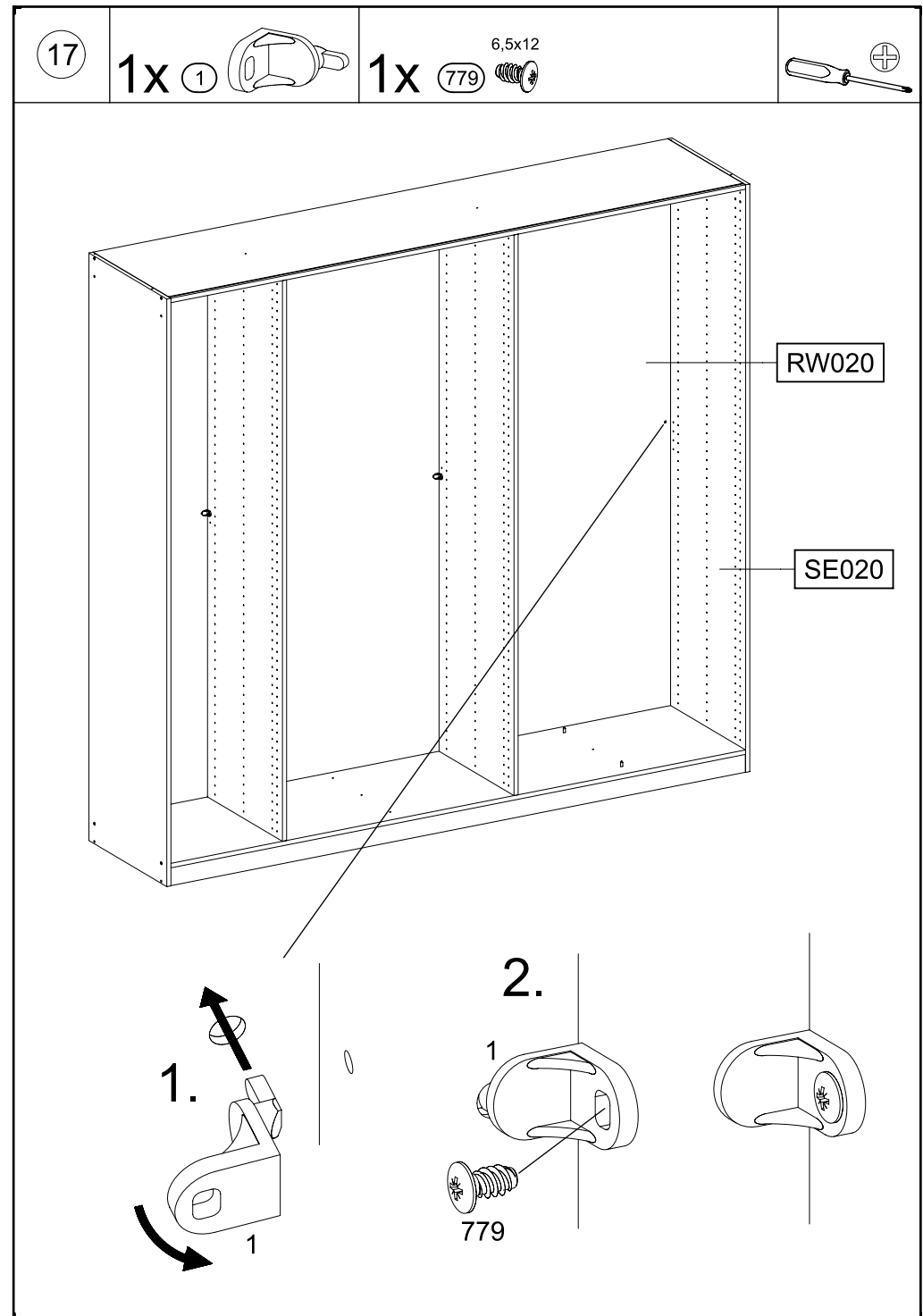
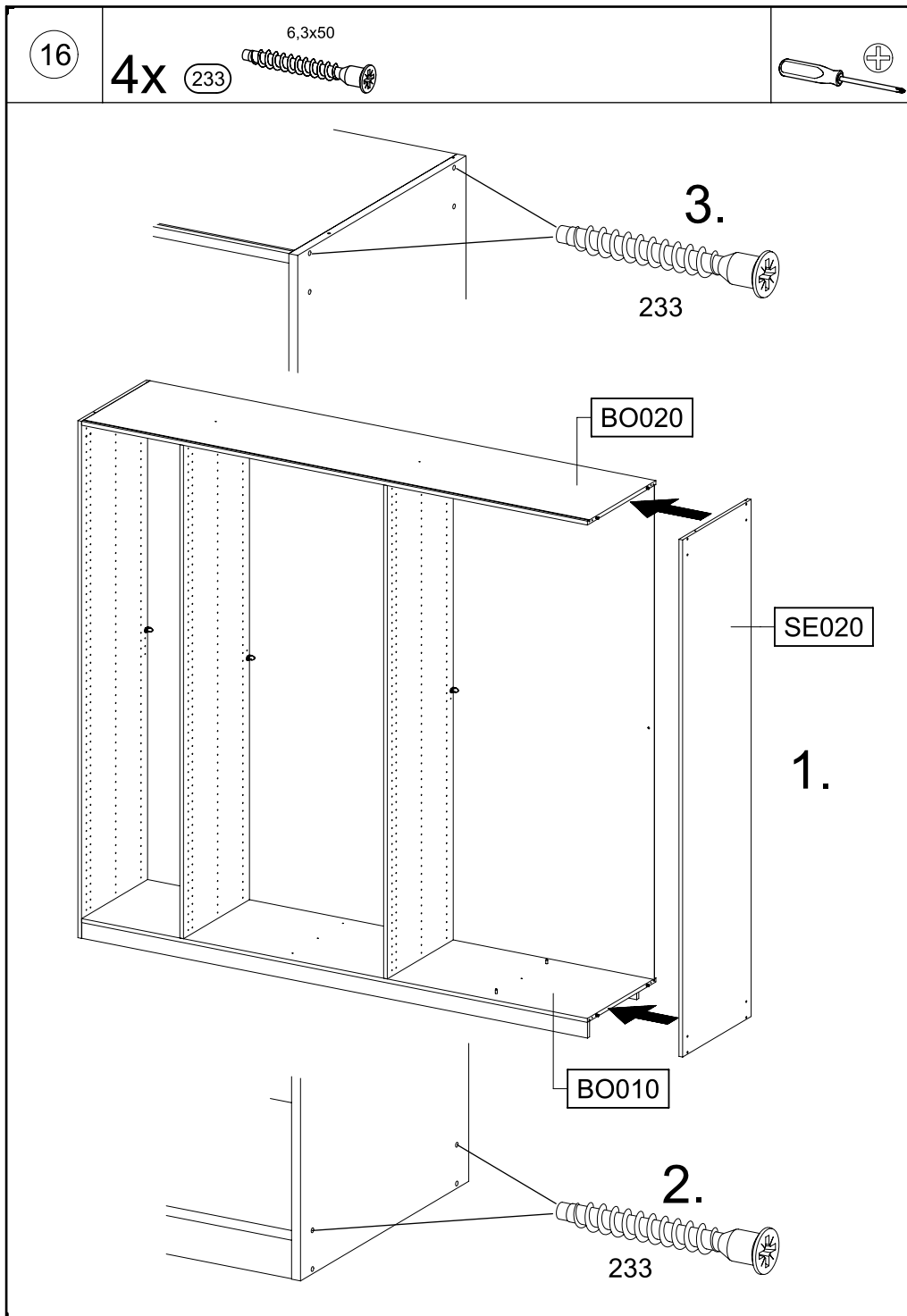
14



15

2x 233

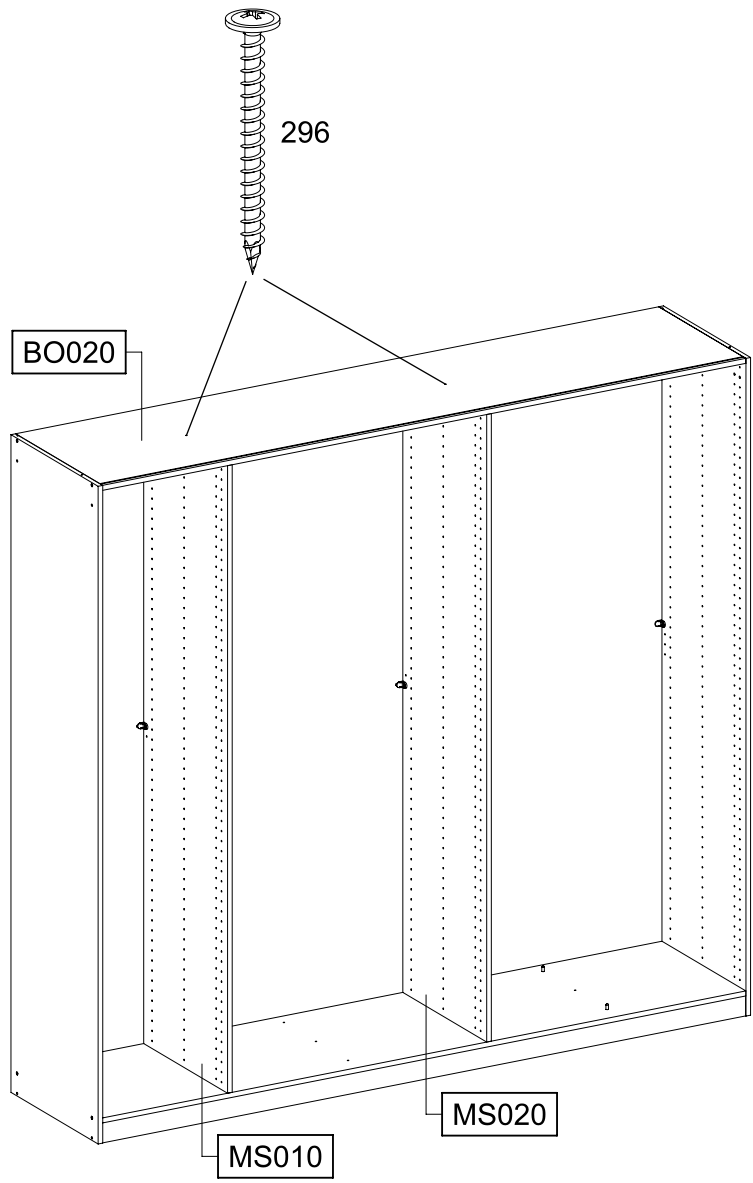
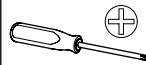
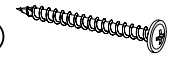




18

2x 296

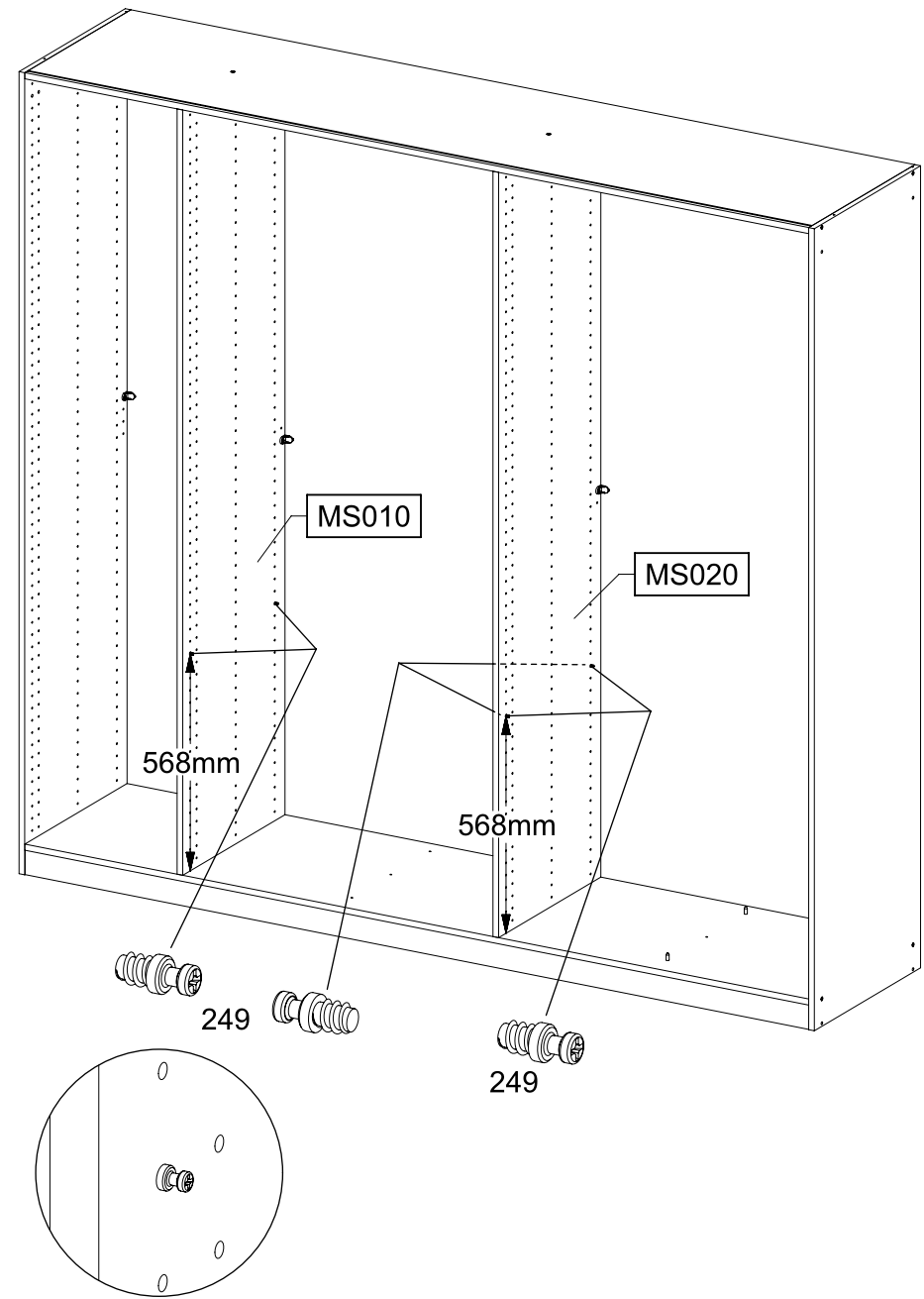
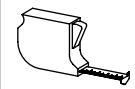
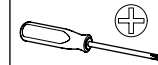
4,5x50

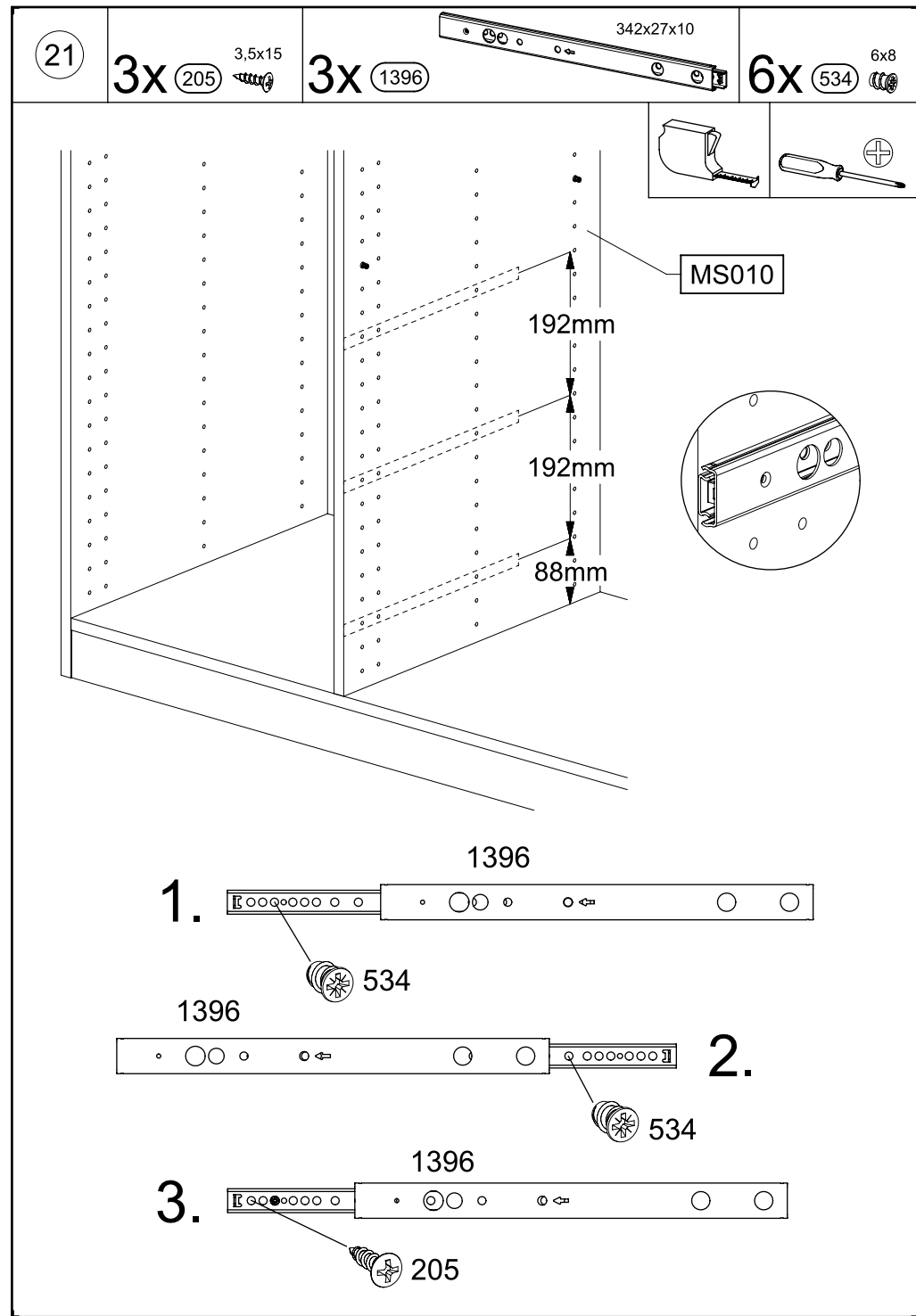
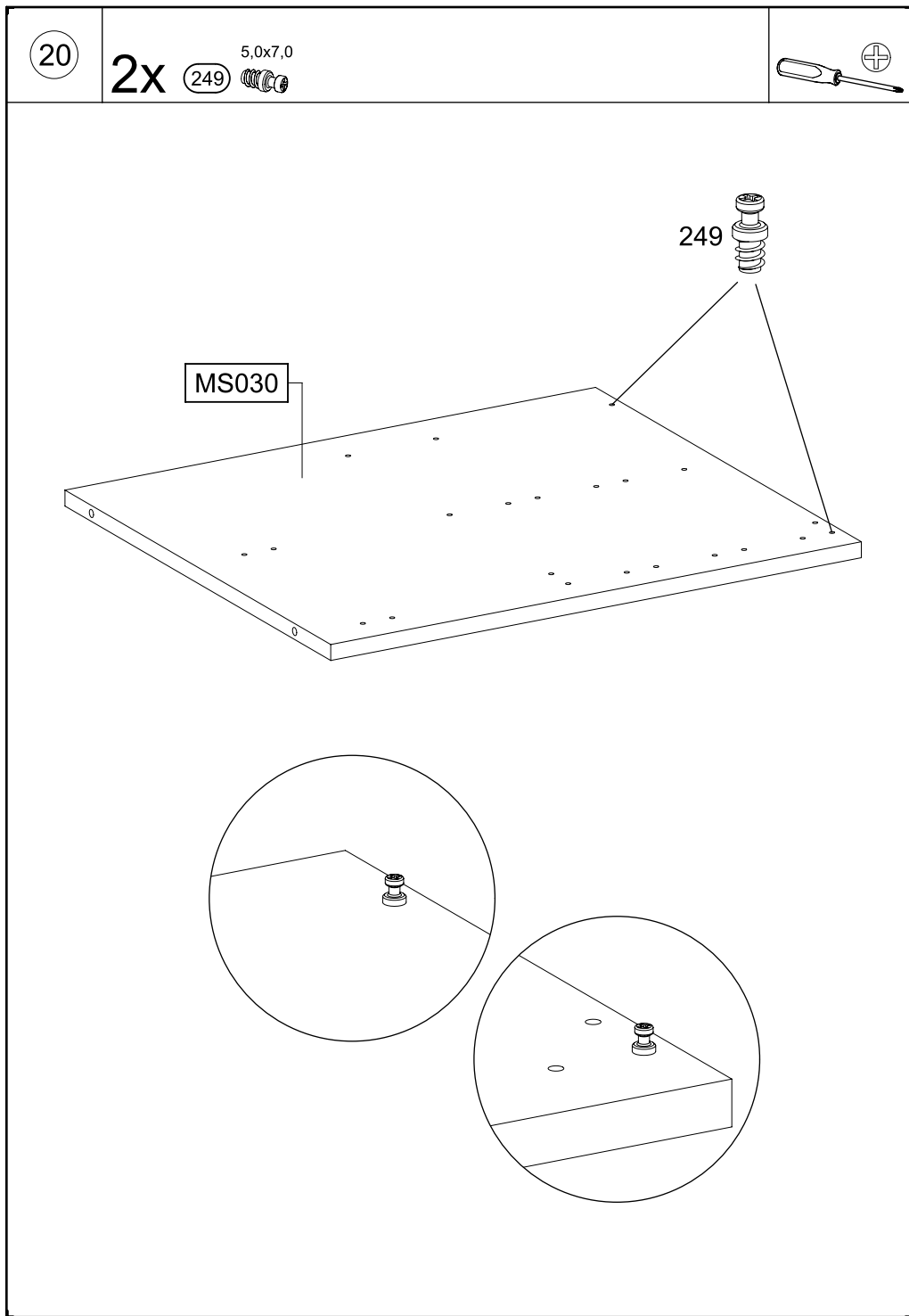


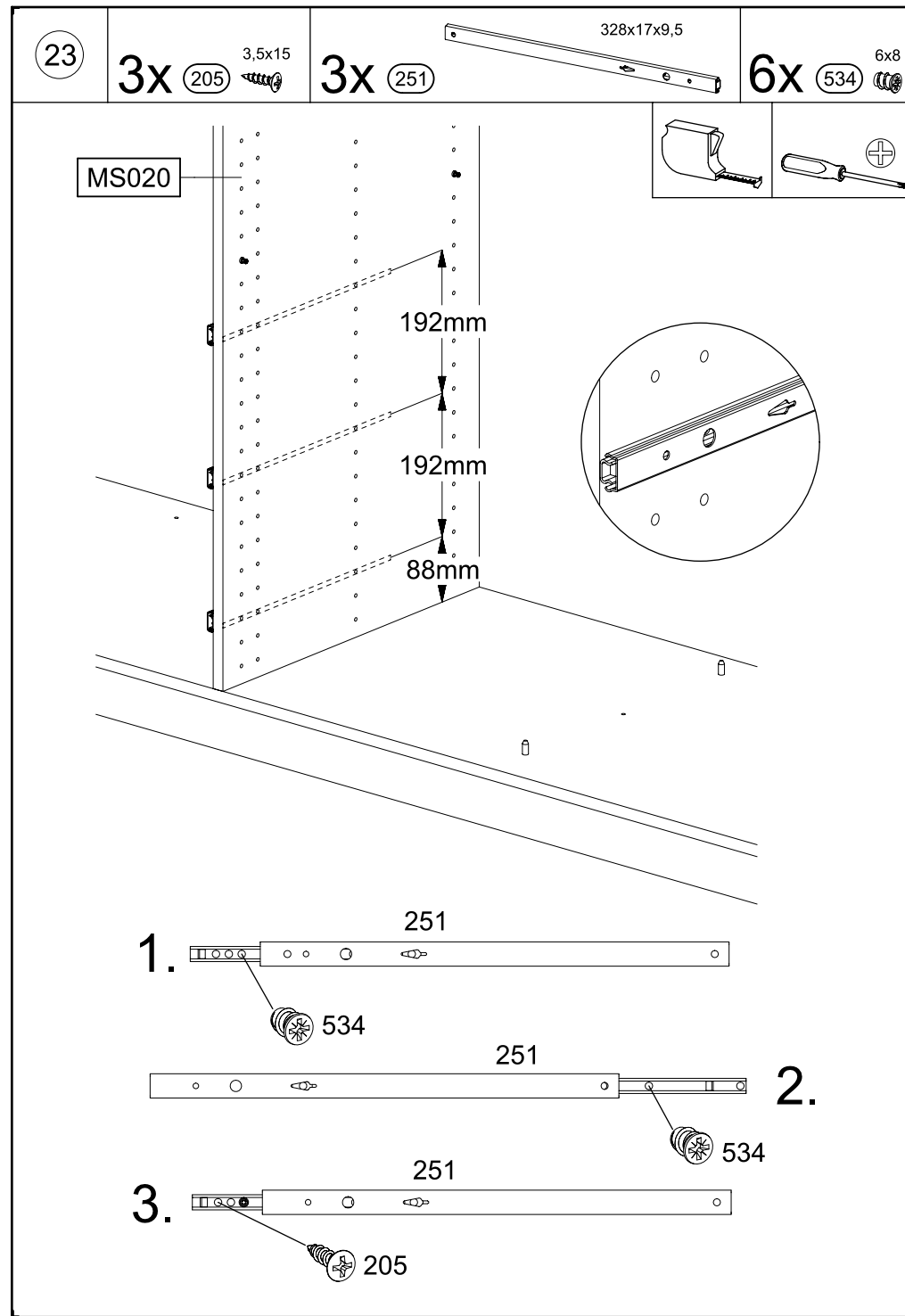
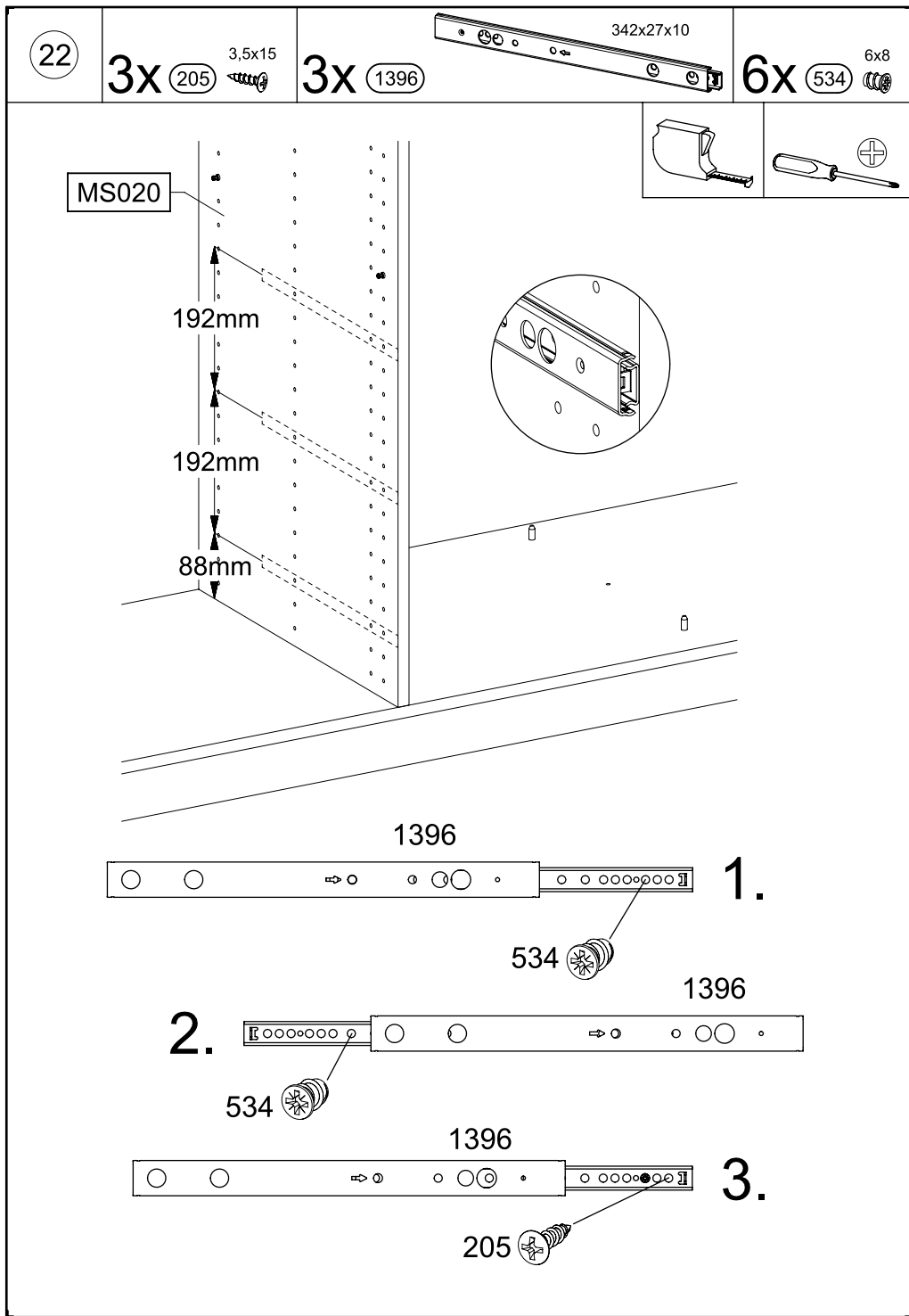
19

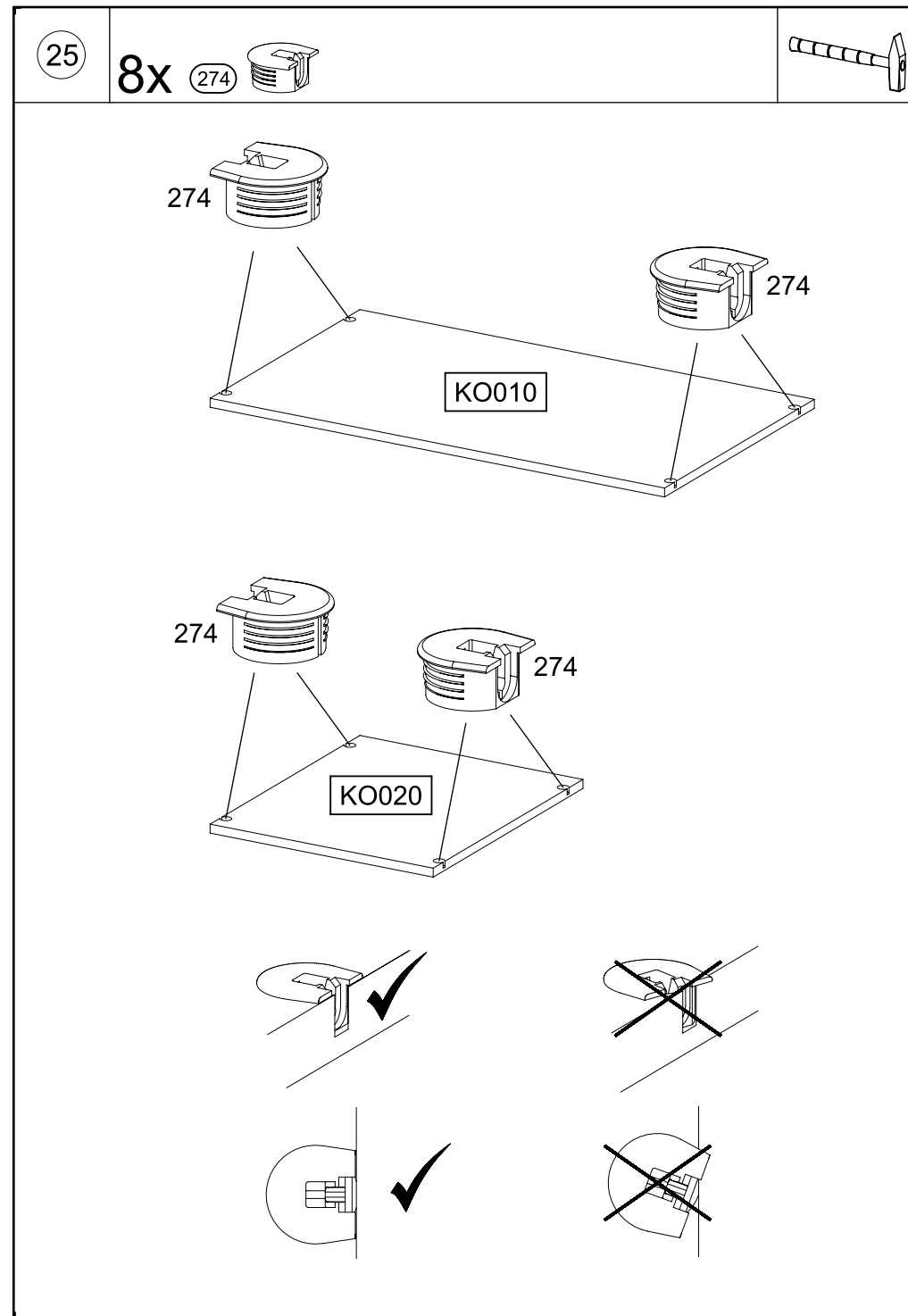
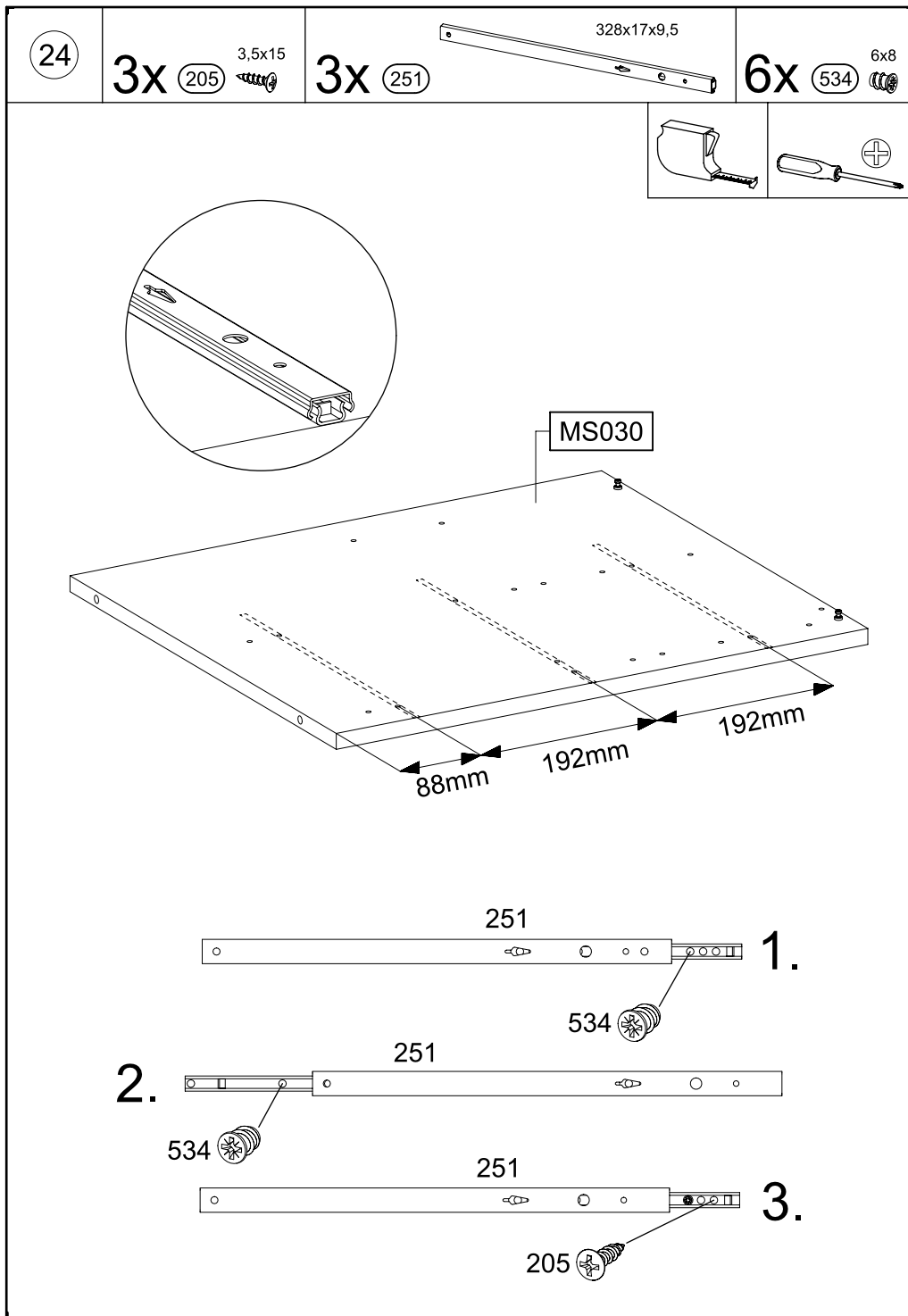
6x 249

5,0x7,0

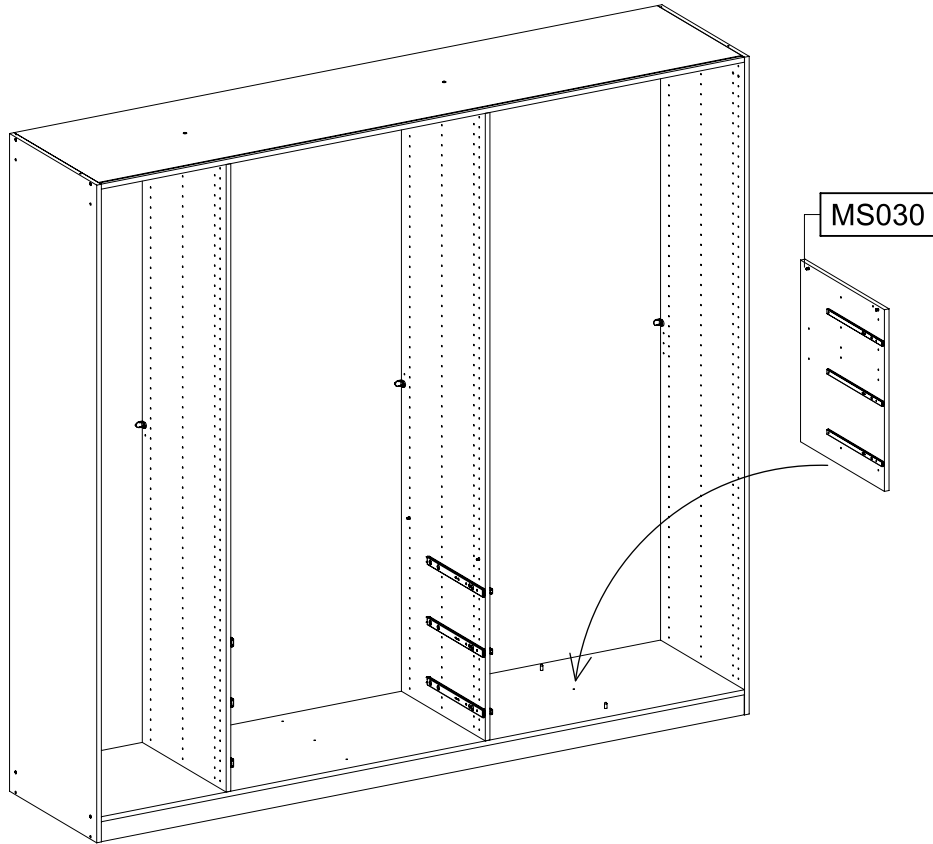




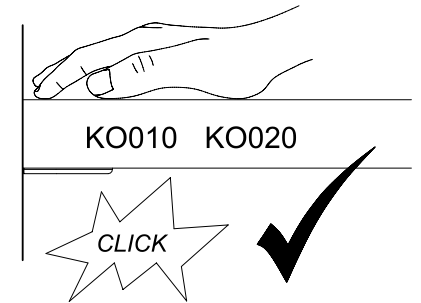
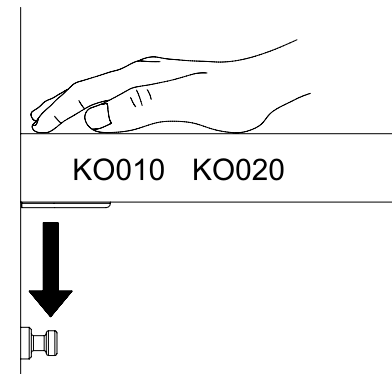
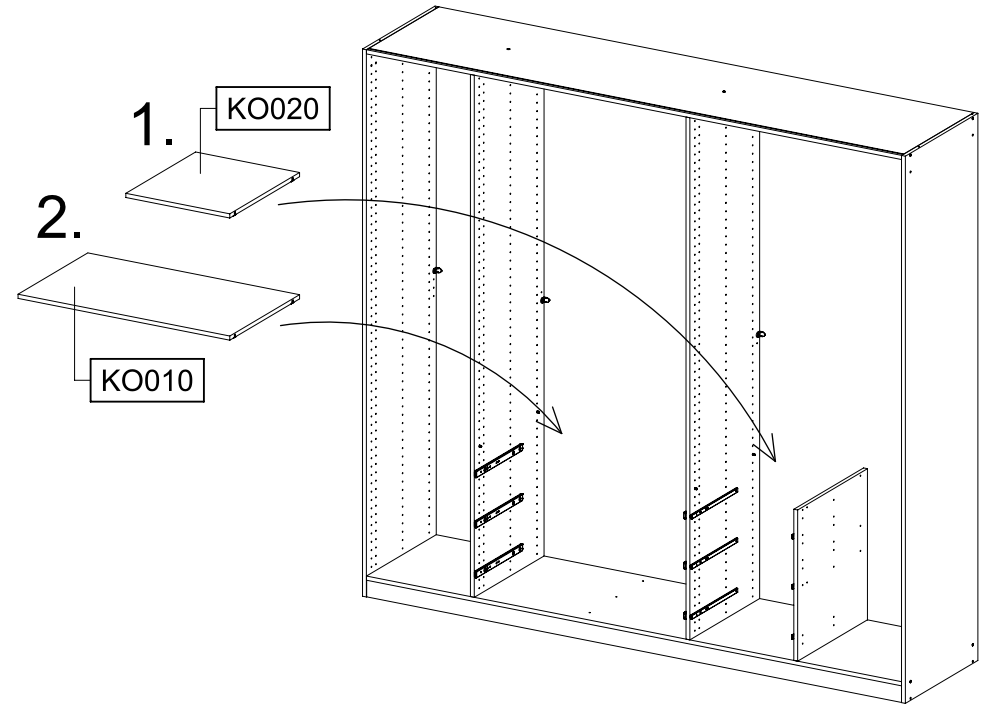




26

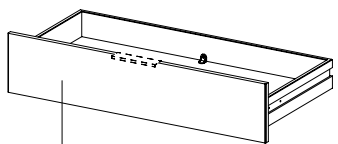
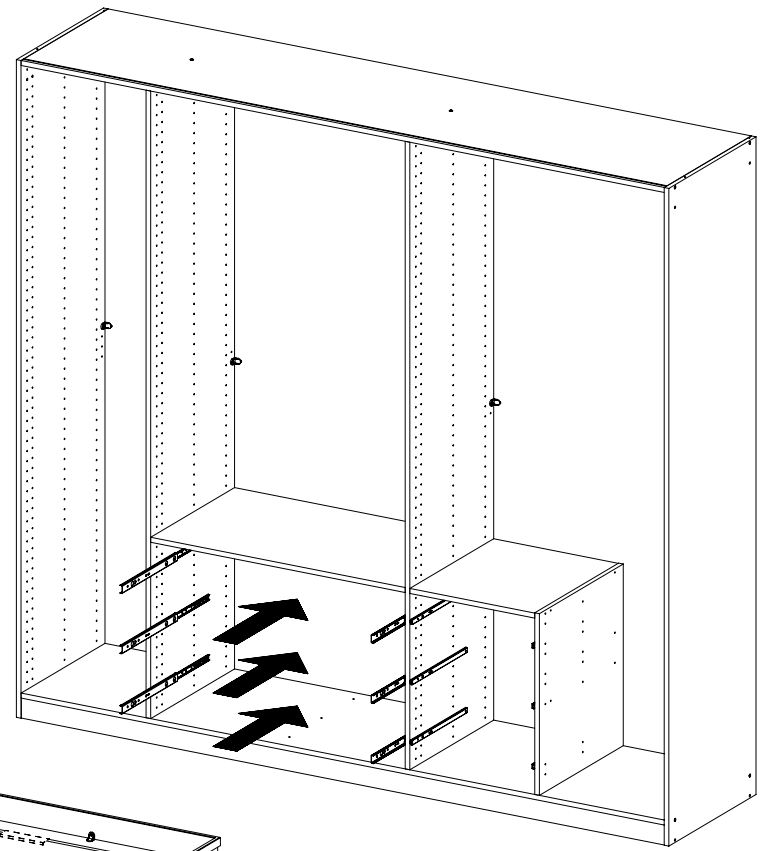
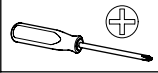


27

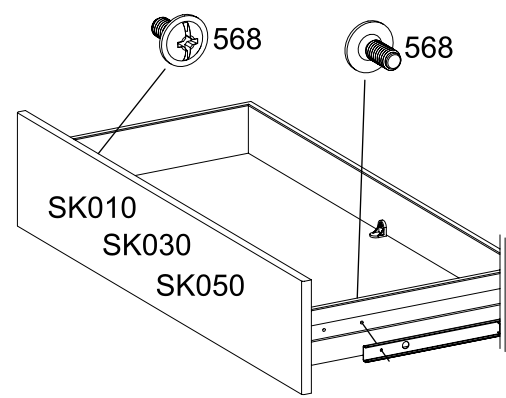


28

6x M4x9 568

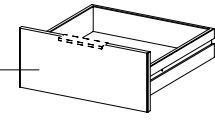
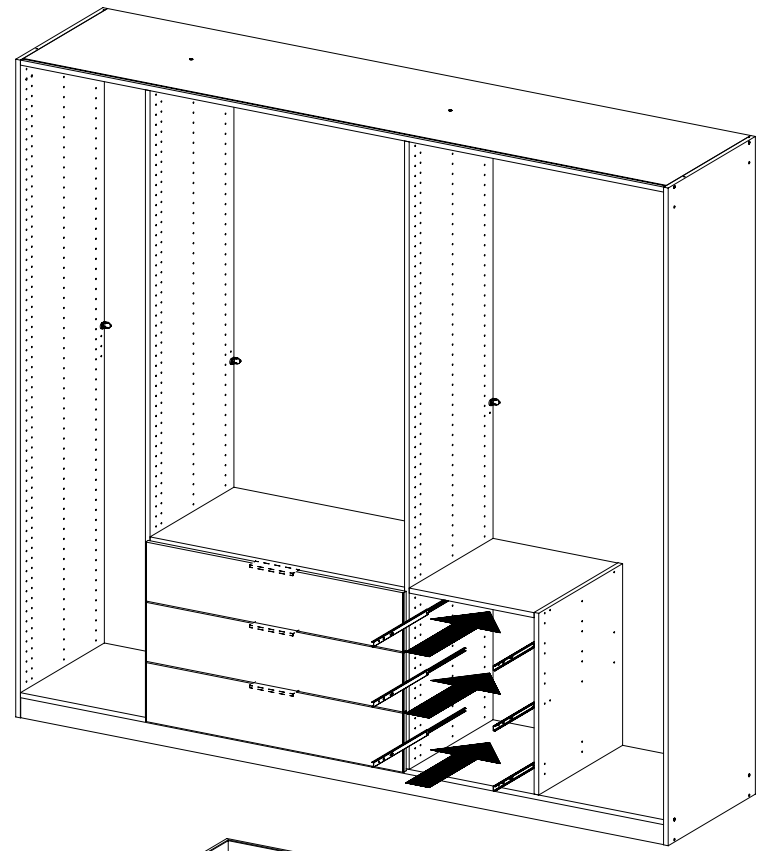
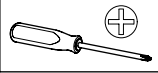


- SK010
- SK030
- SK050

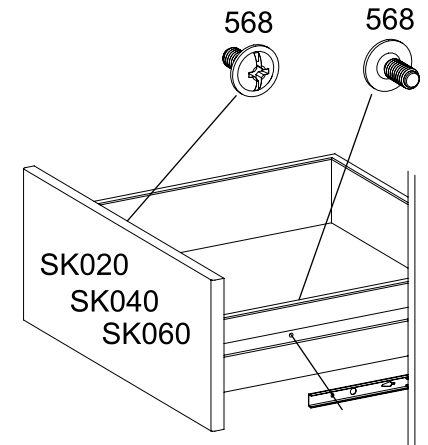


29

6x M4x9 568

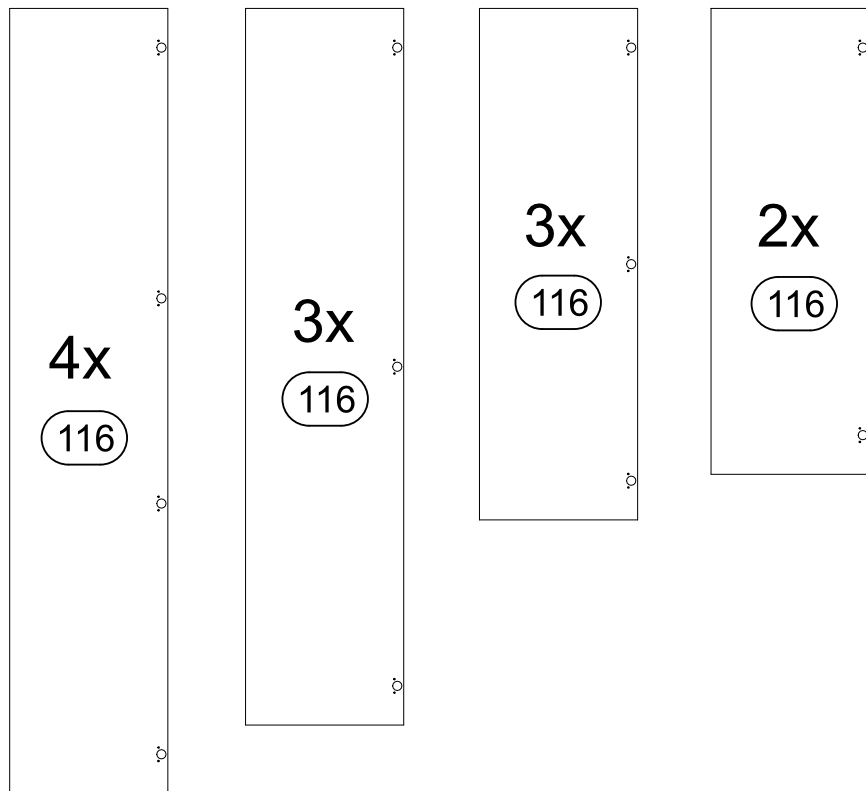
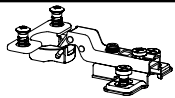


- SK020
- SK040
- SK060



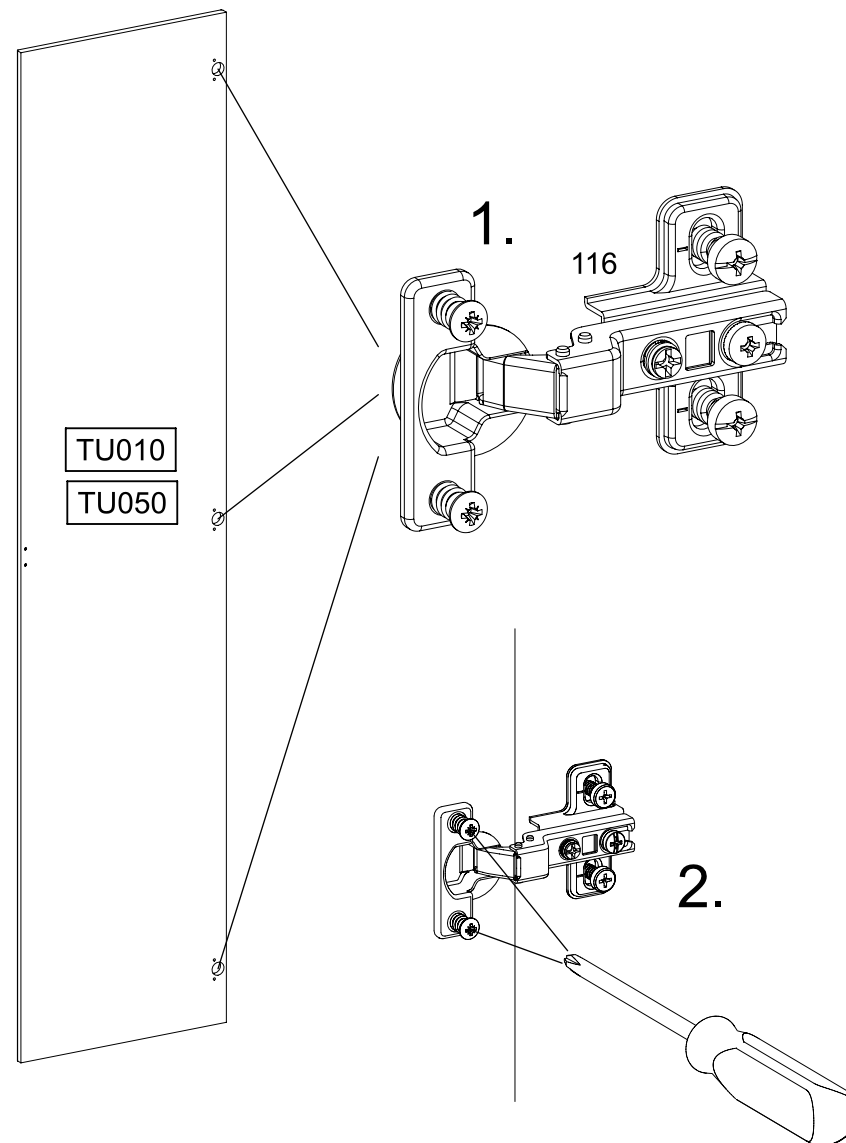
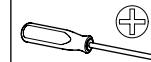
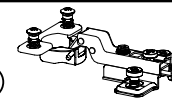
30

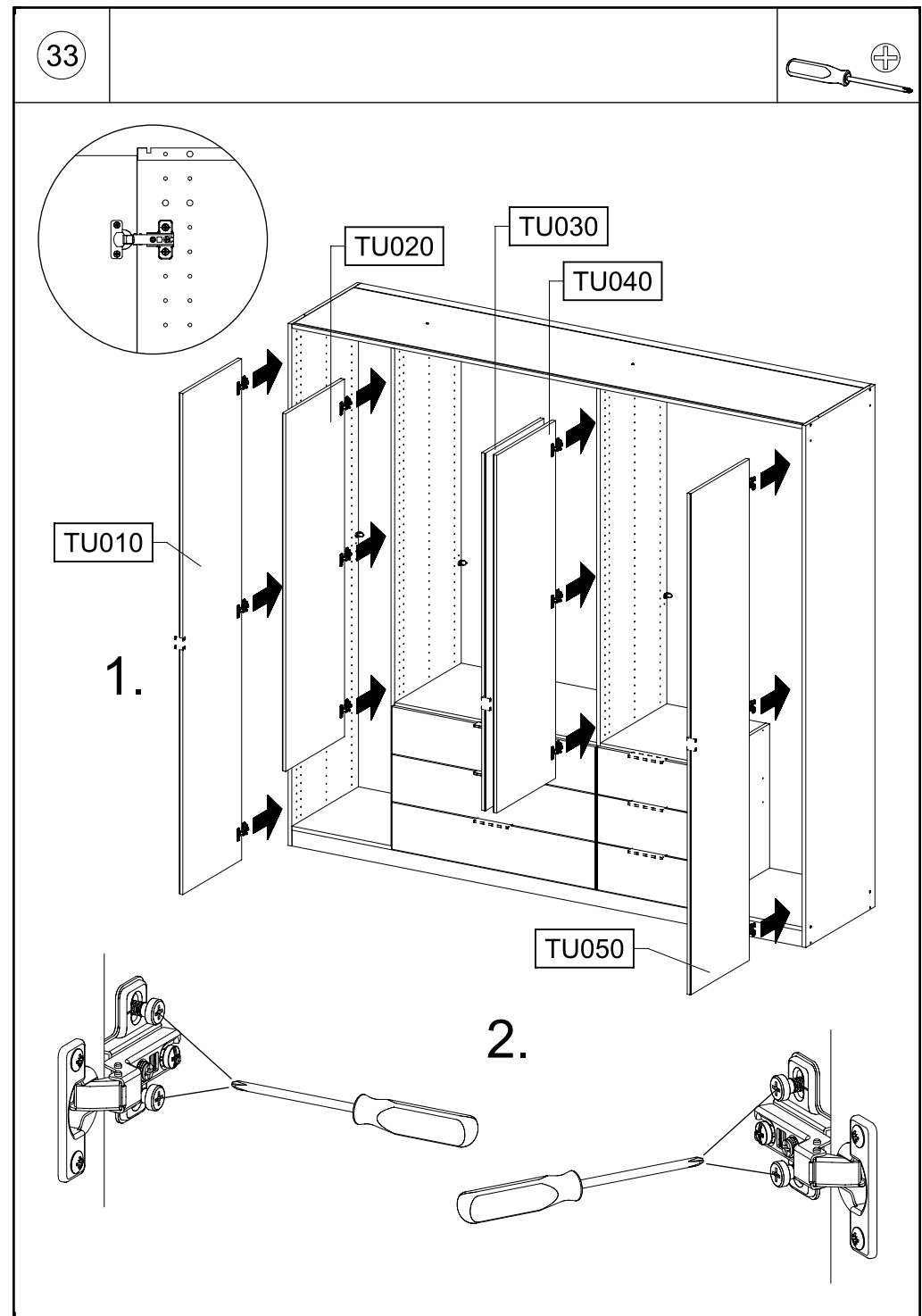
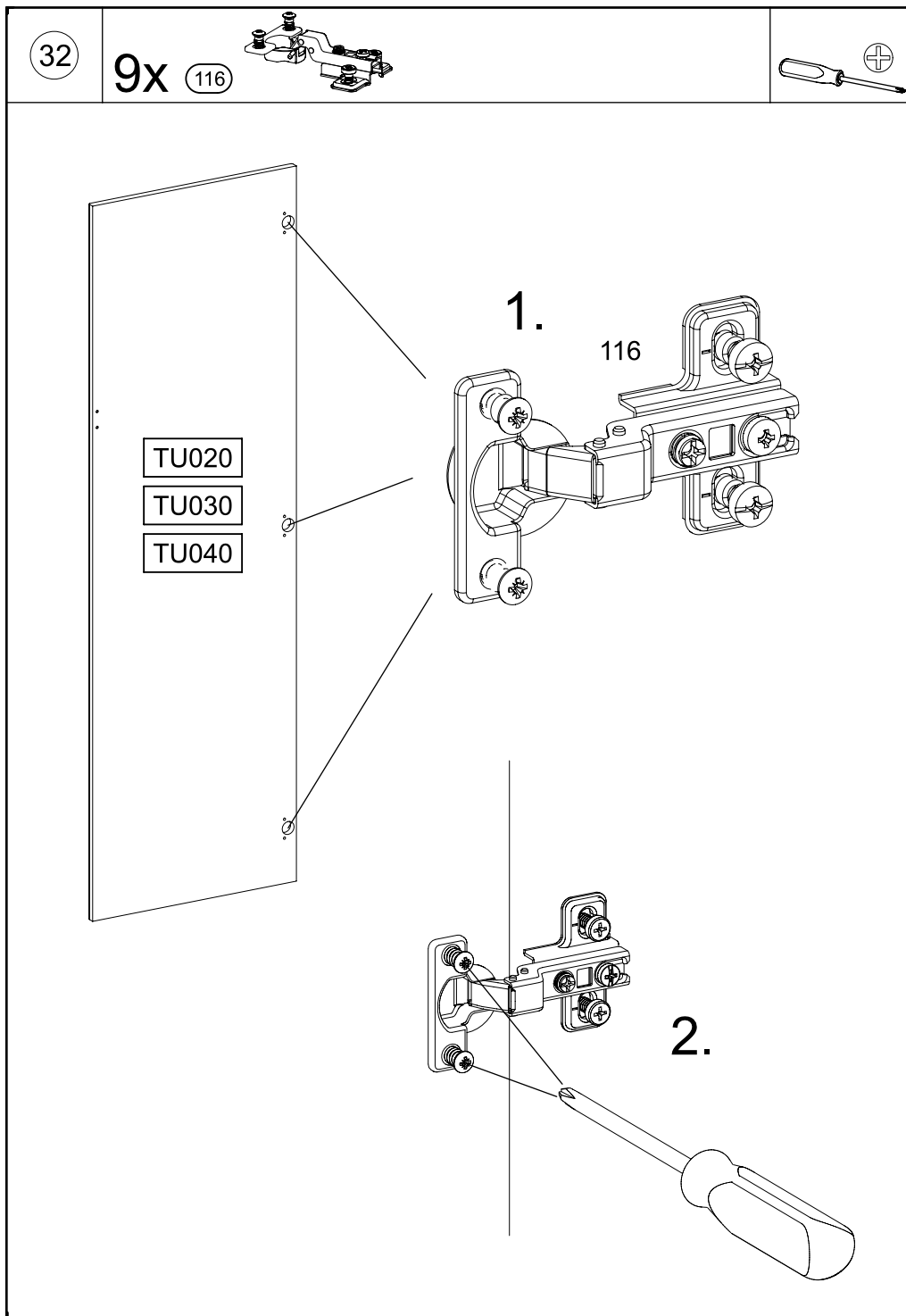
116

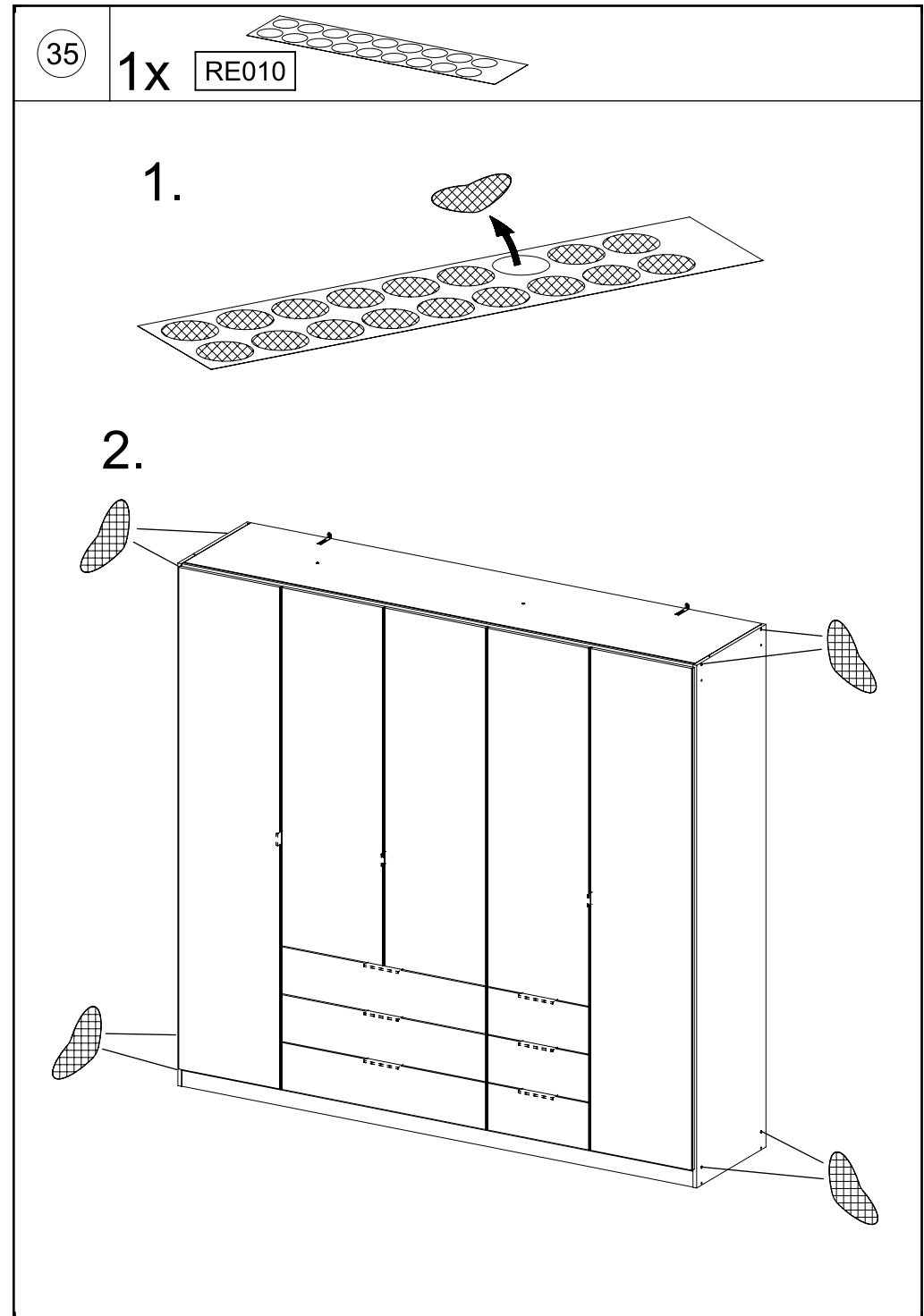
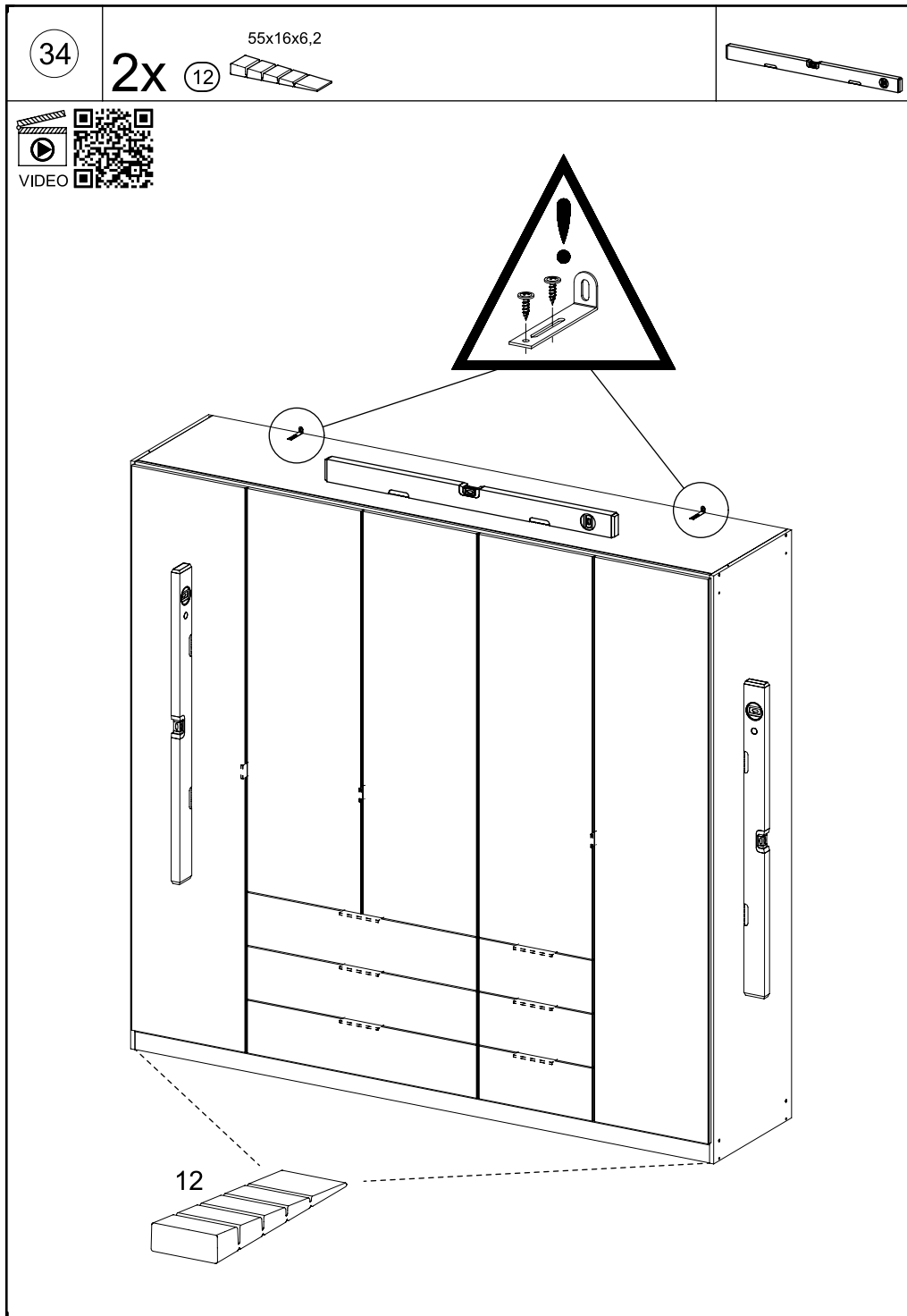


31

6x 116







36

