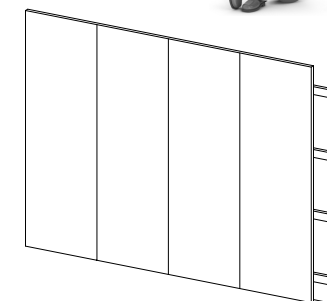
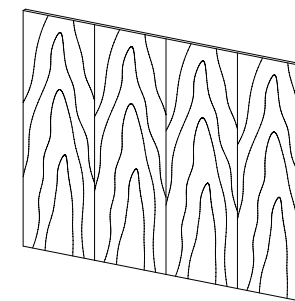
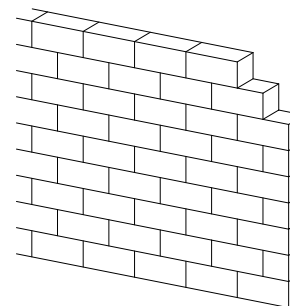
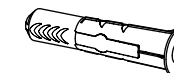
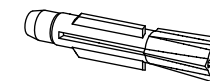
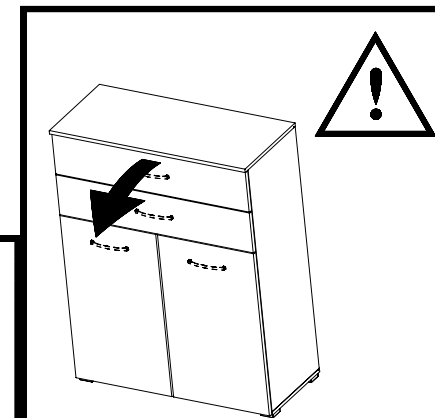
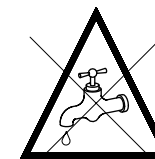
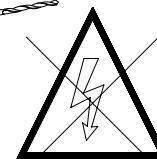
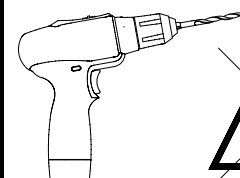
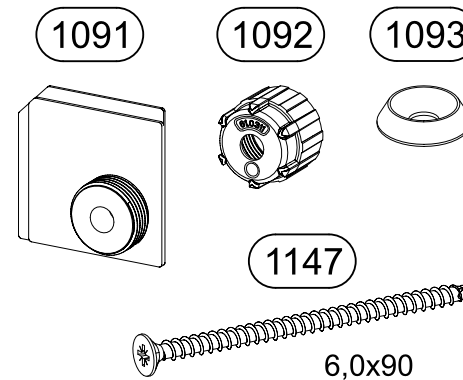
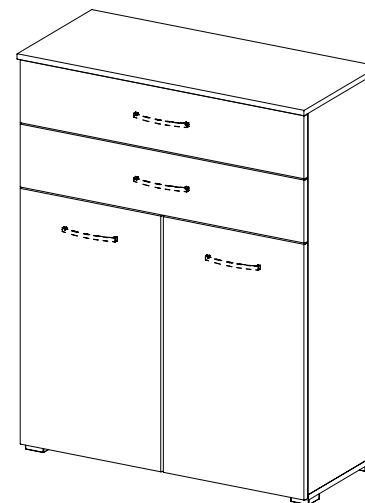
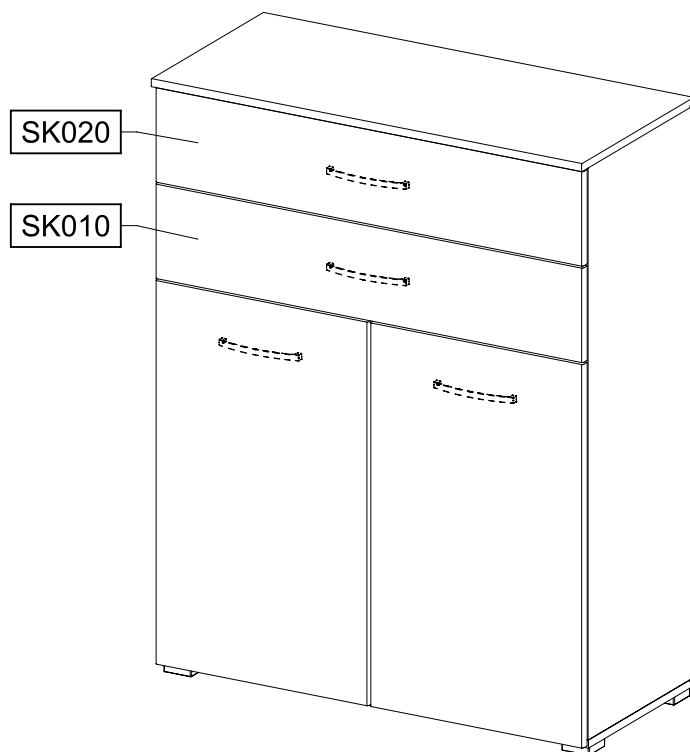
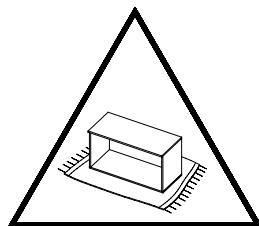
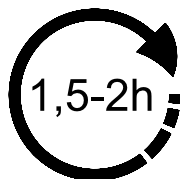
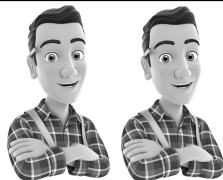
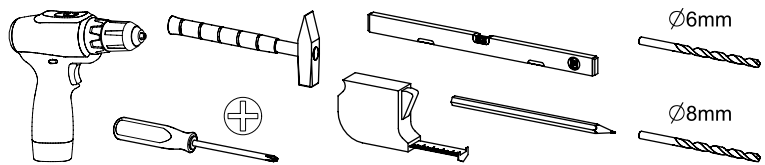
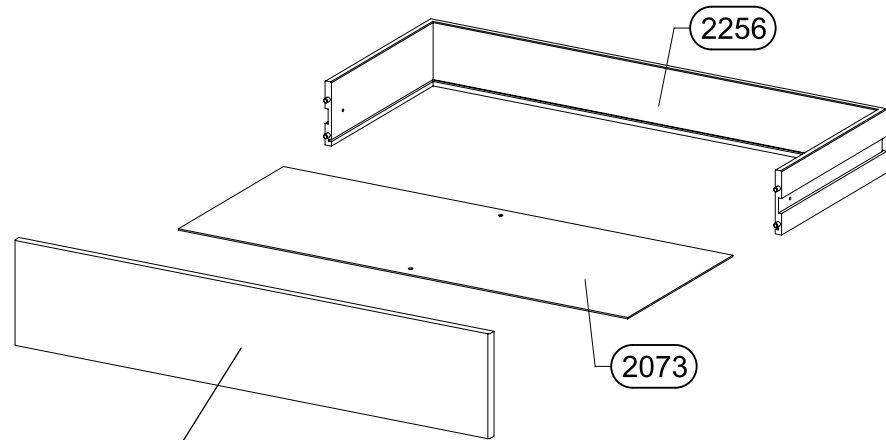


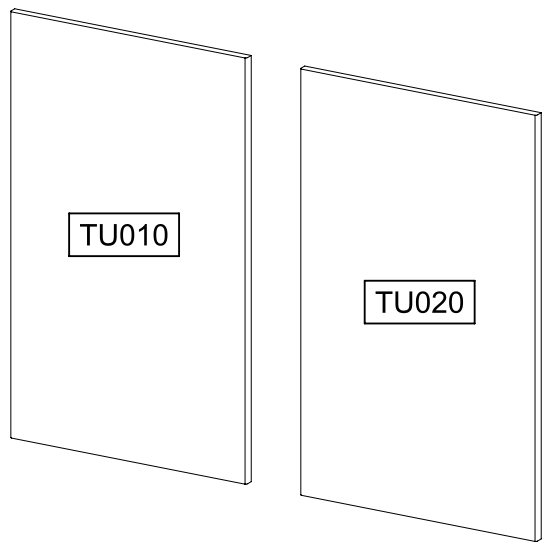
M2619_02

rauch





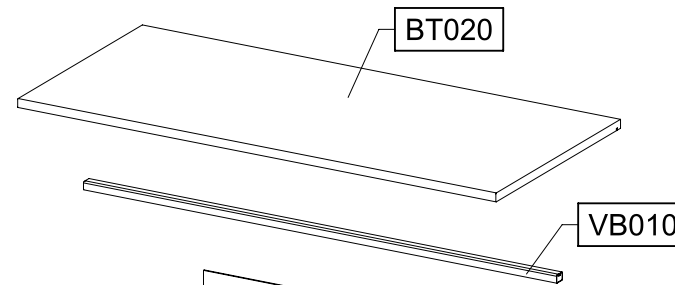
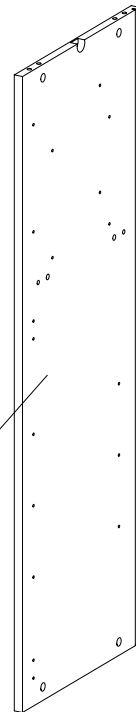
SK010 SK020



TU010

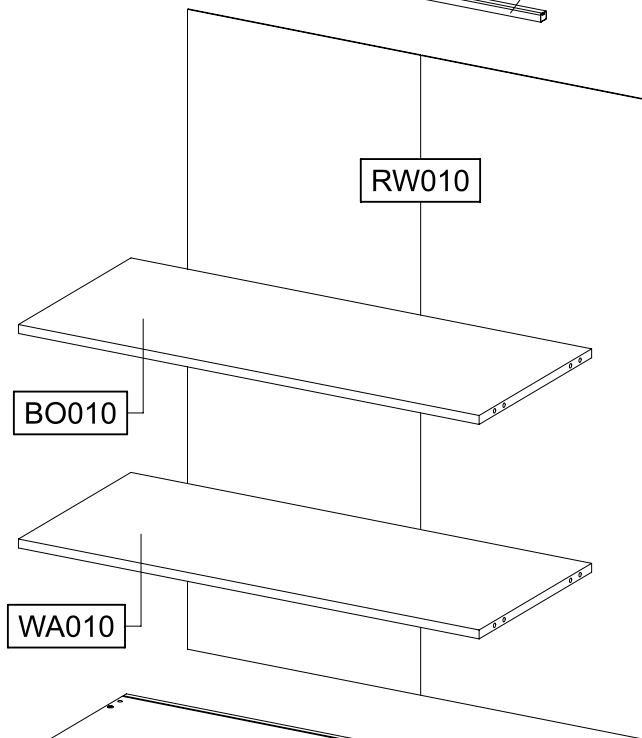
TU020

SE010



BT020

VB010

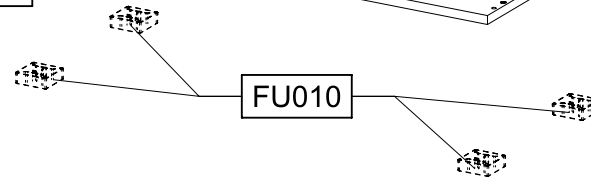


RW010

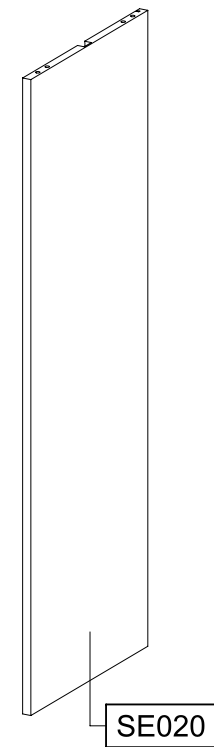
BO010

WA010

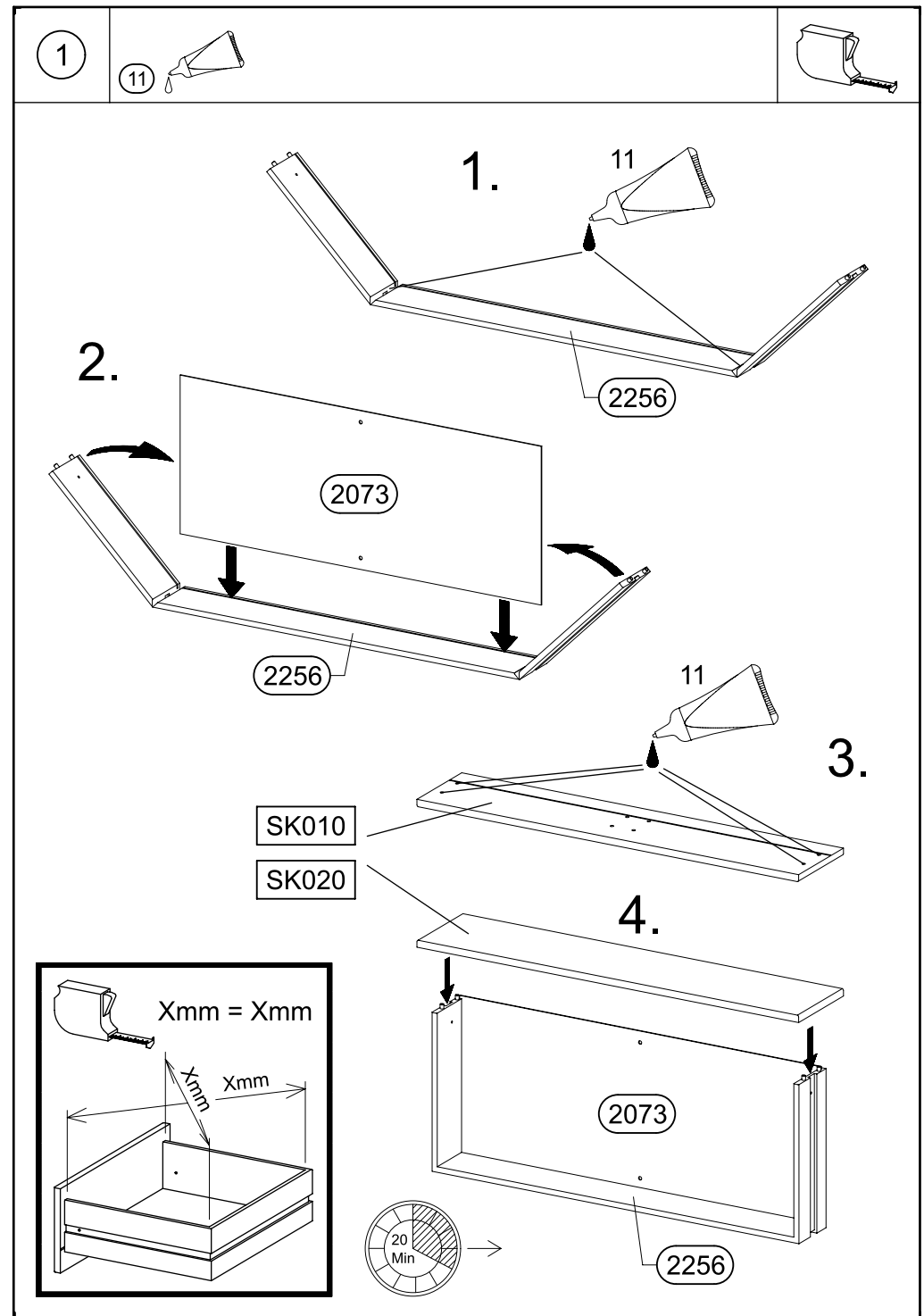
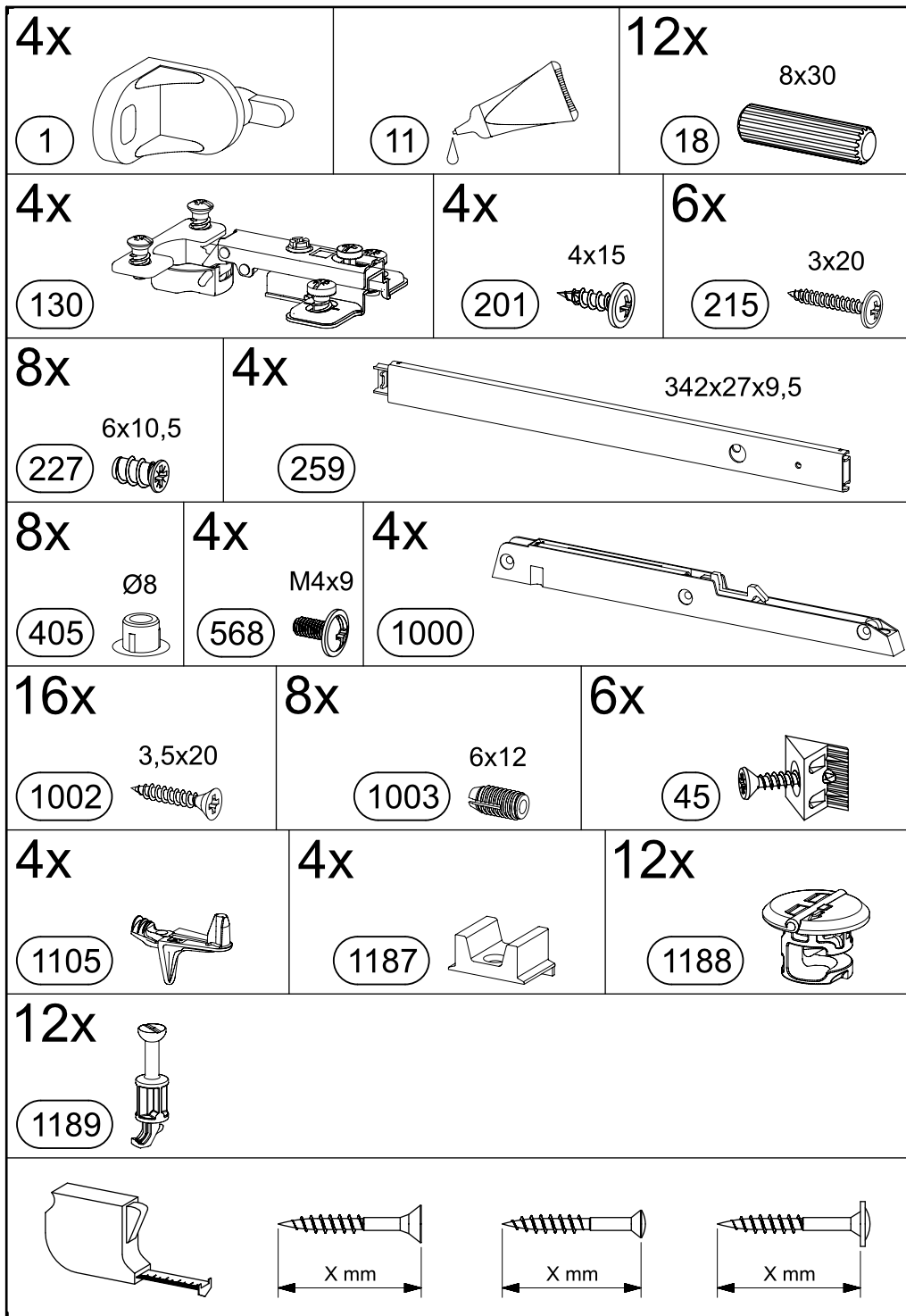
BT010

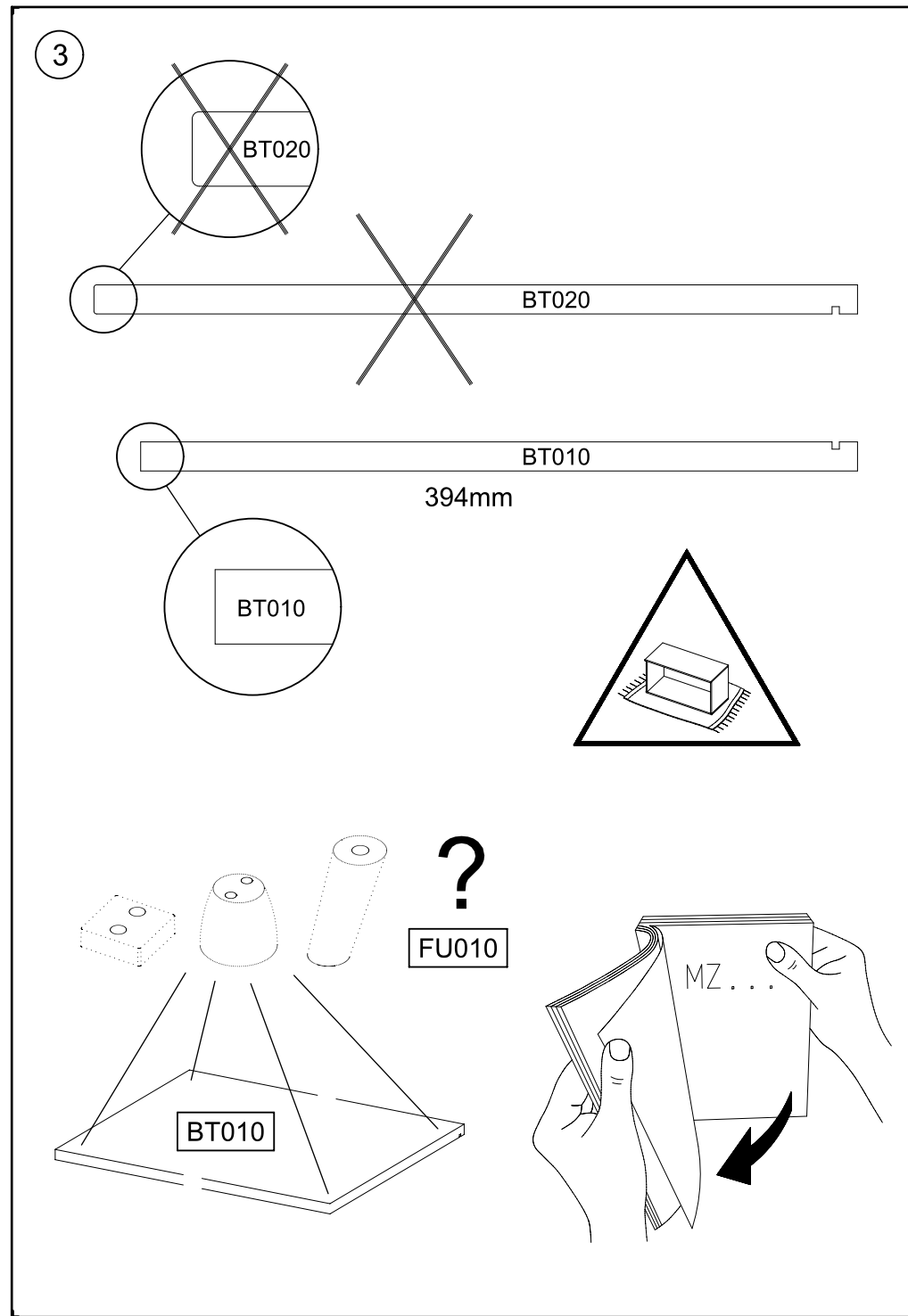
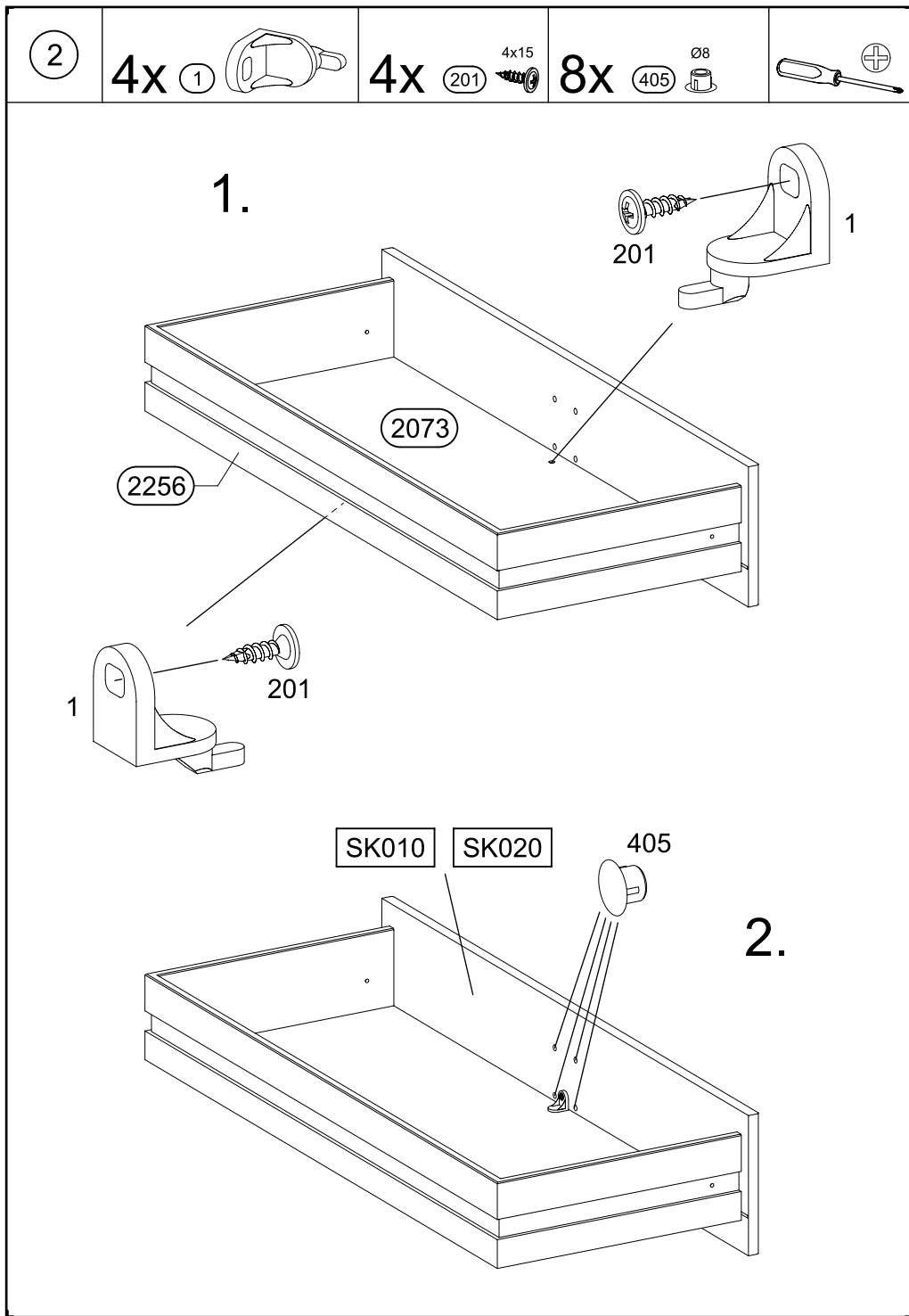


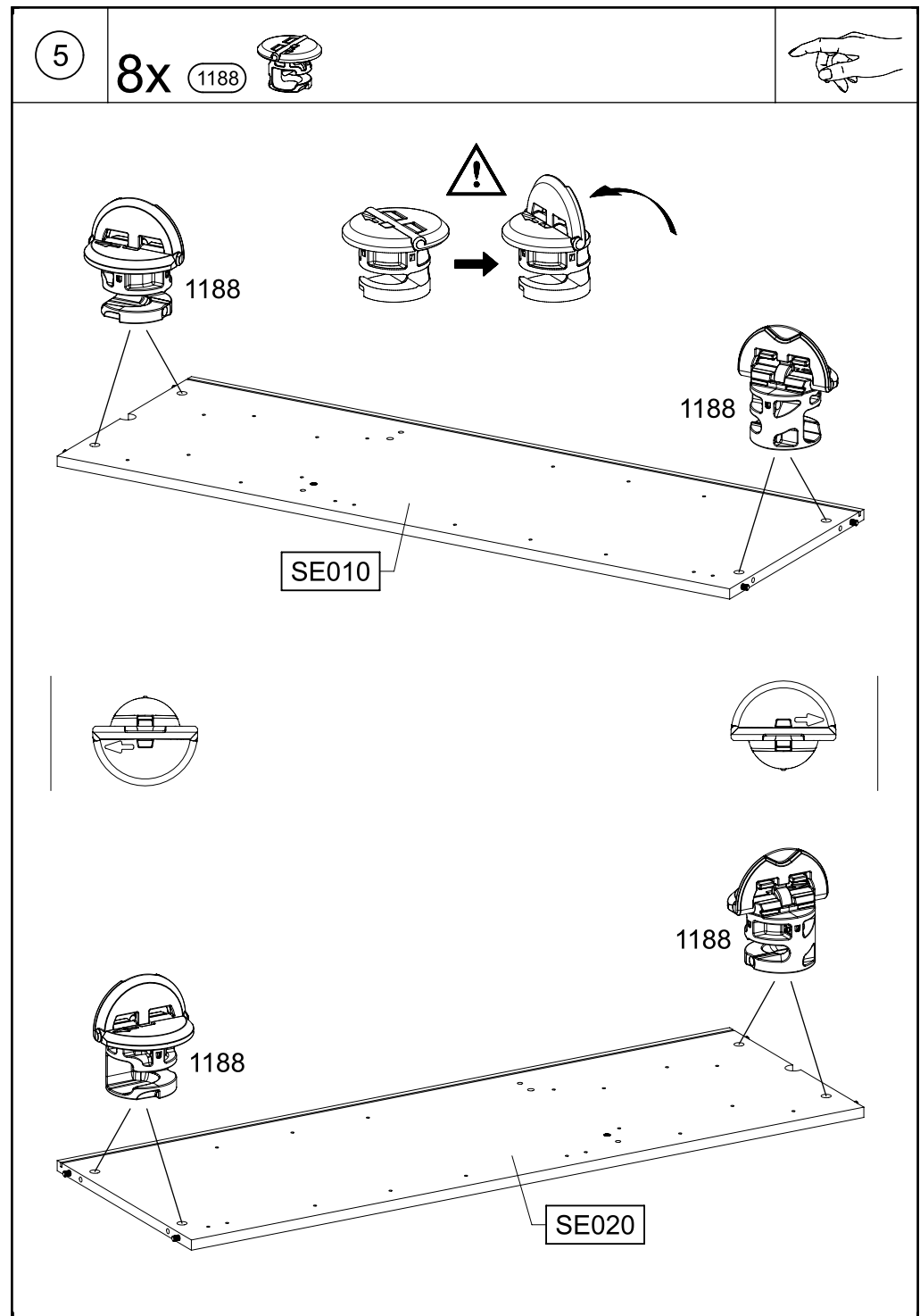
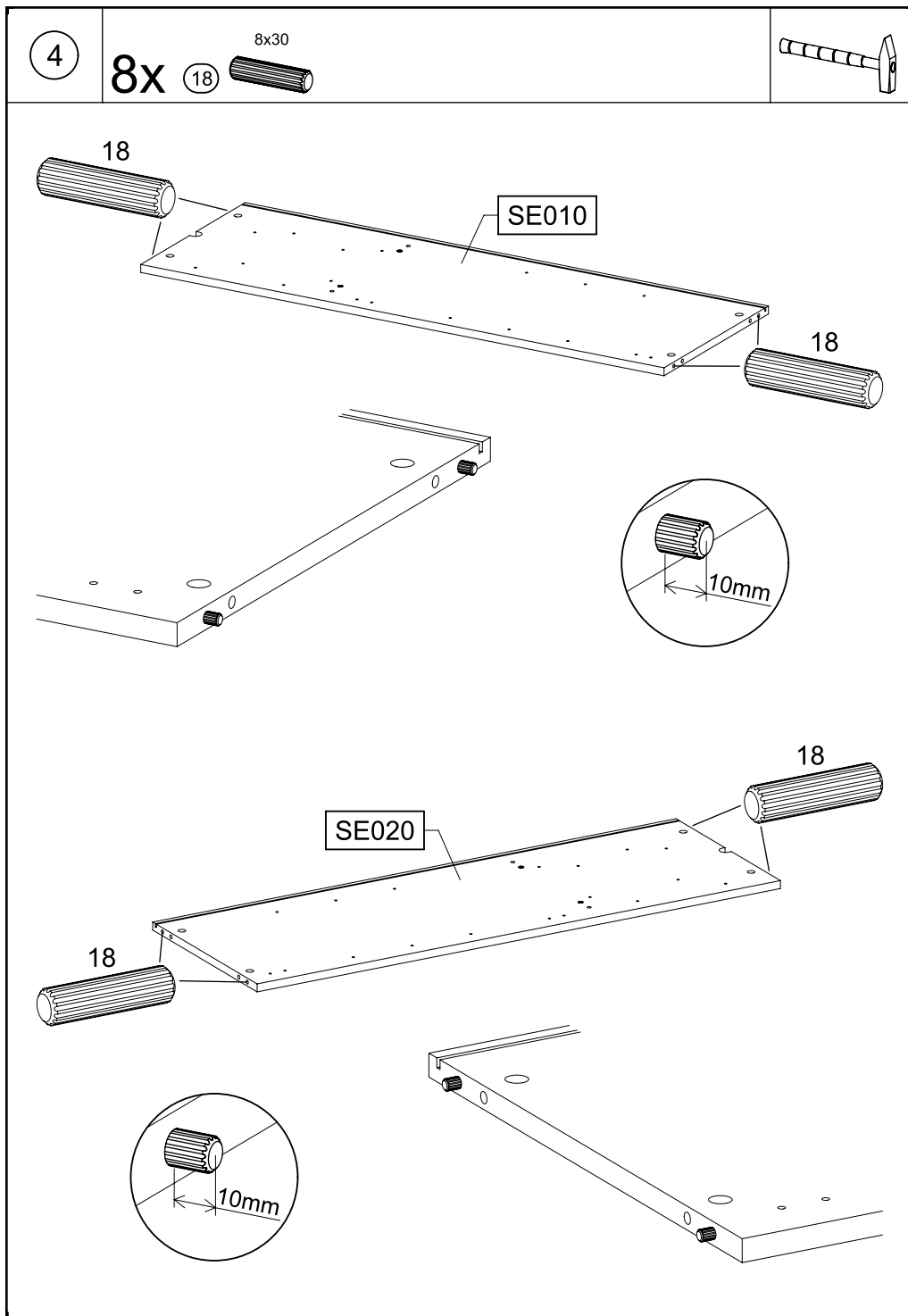
FU010

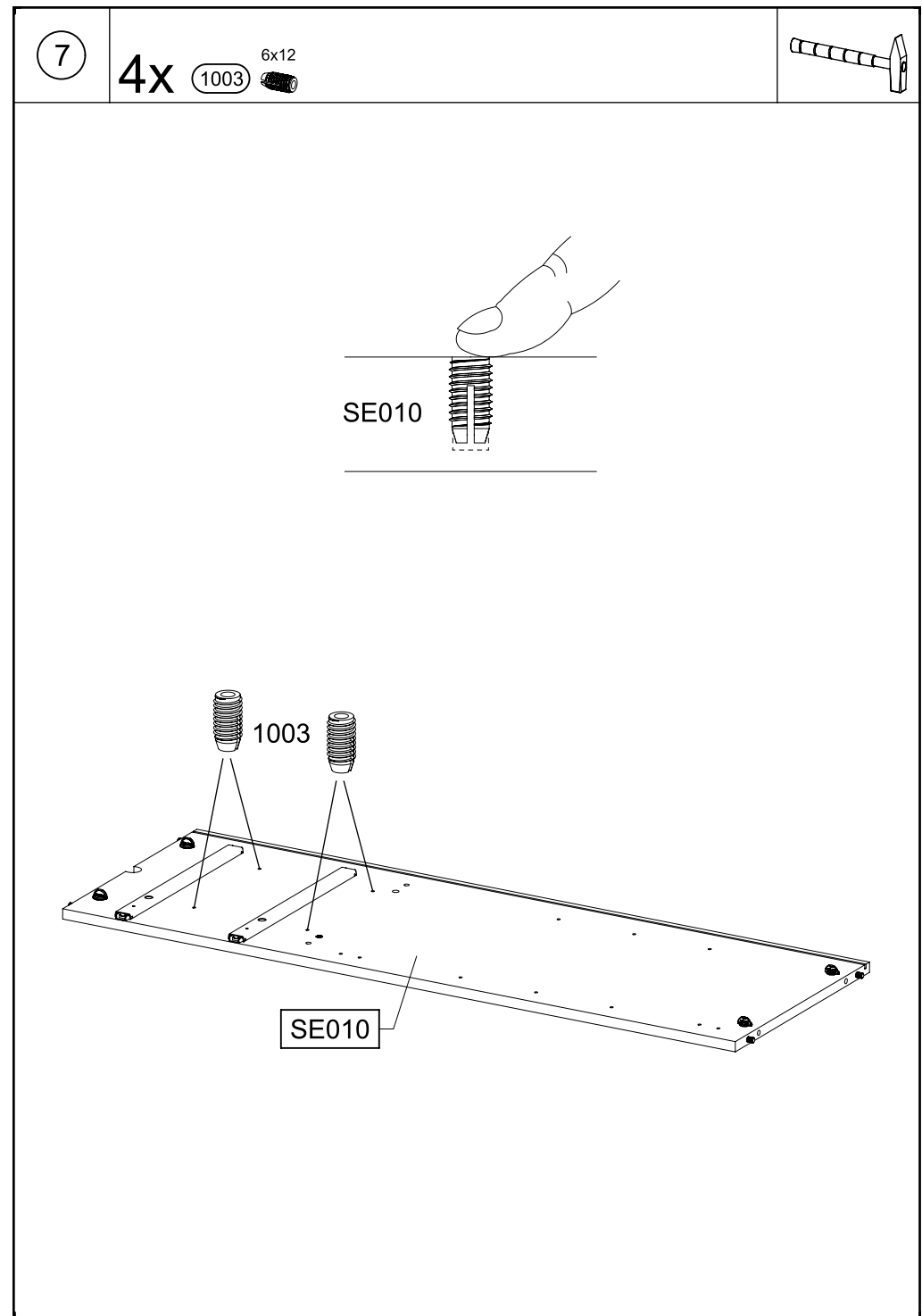
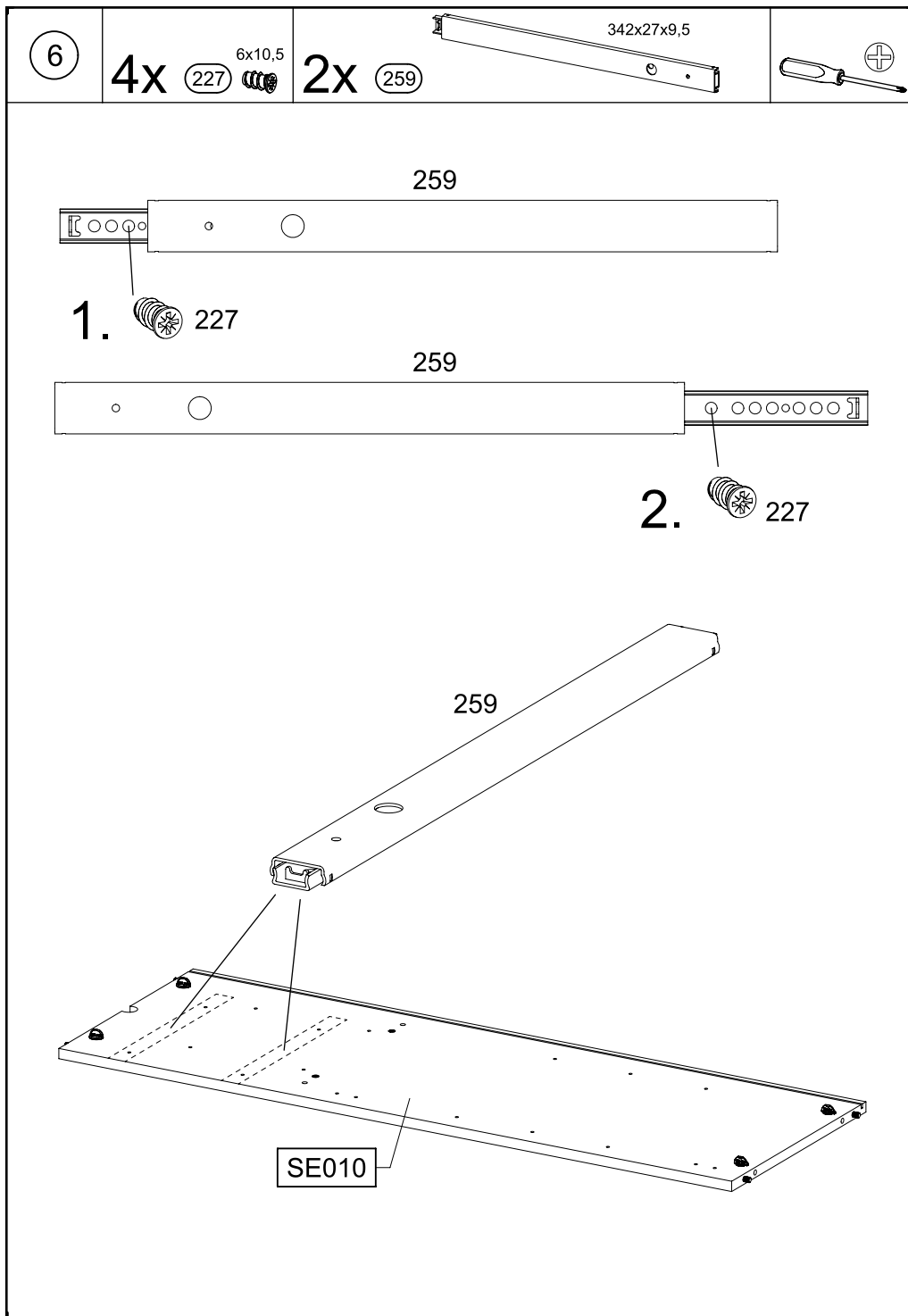


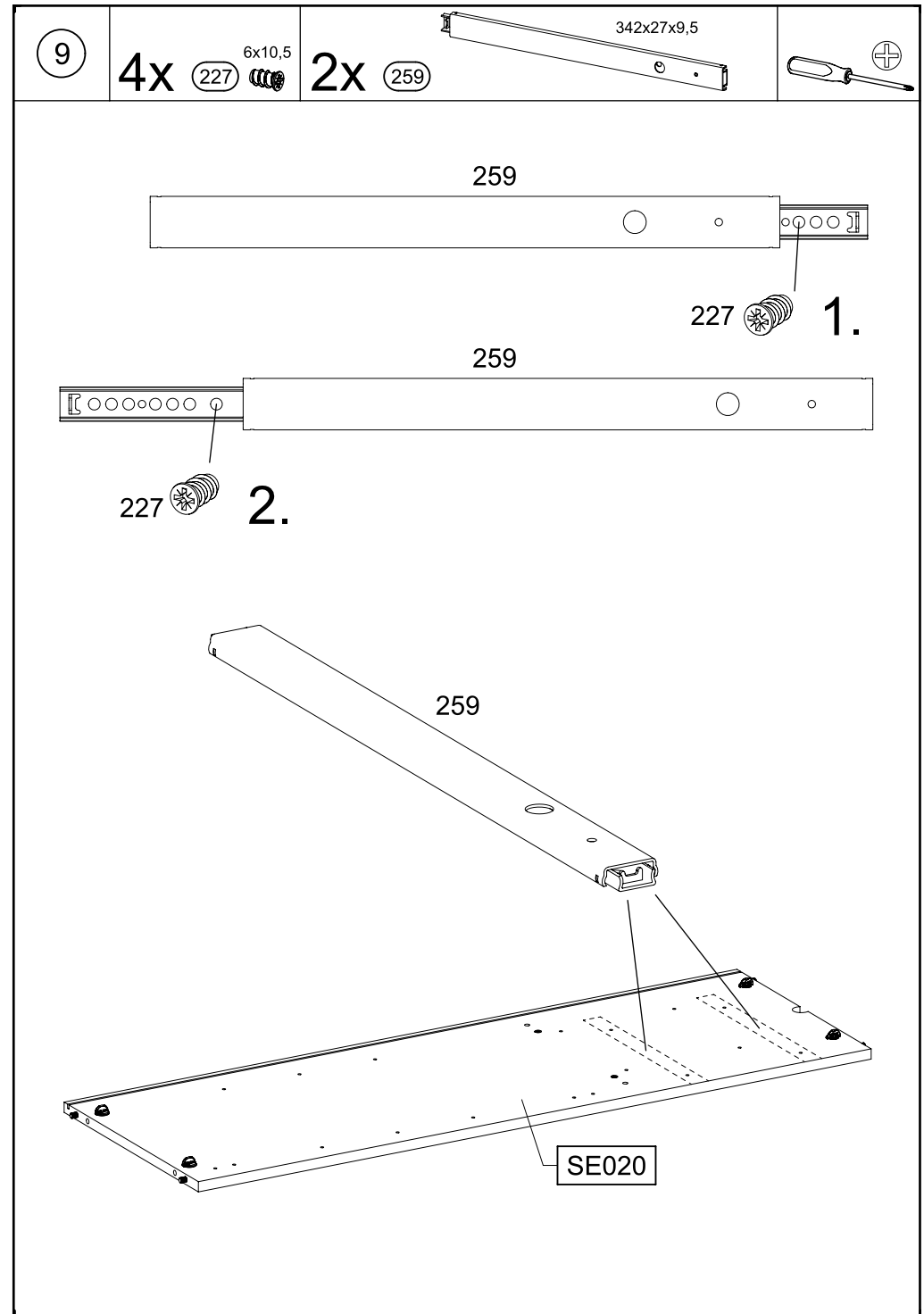
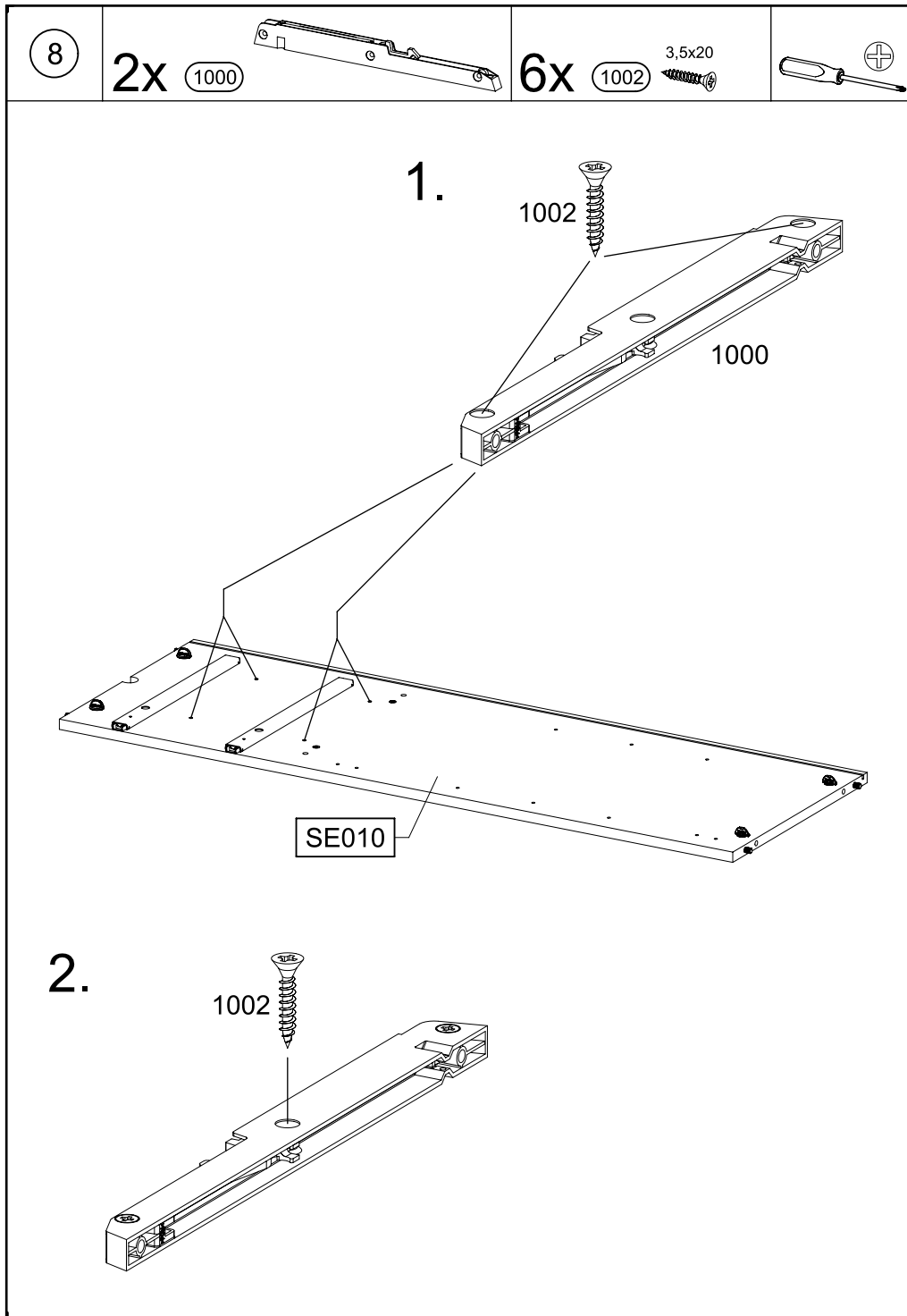
SE020









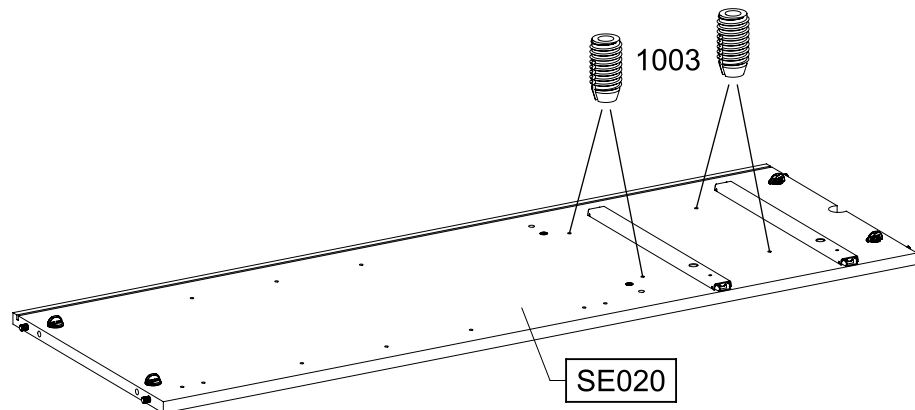
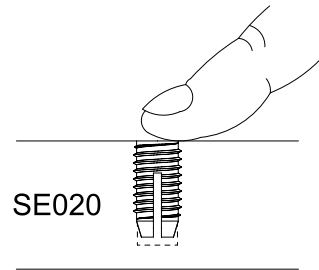
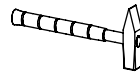


10

4x

1003

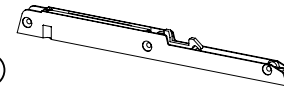
6x12



11

2x

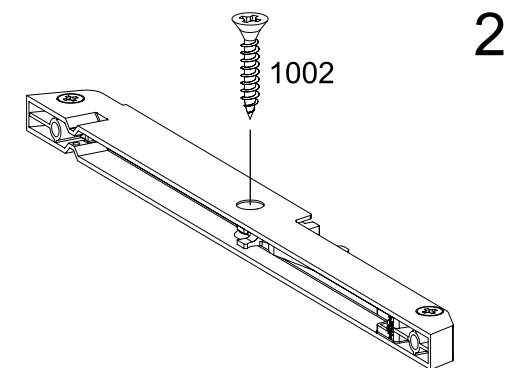
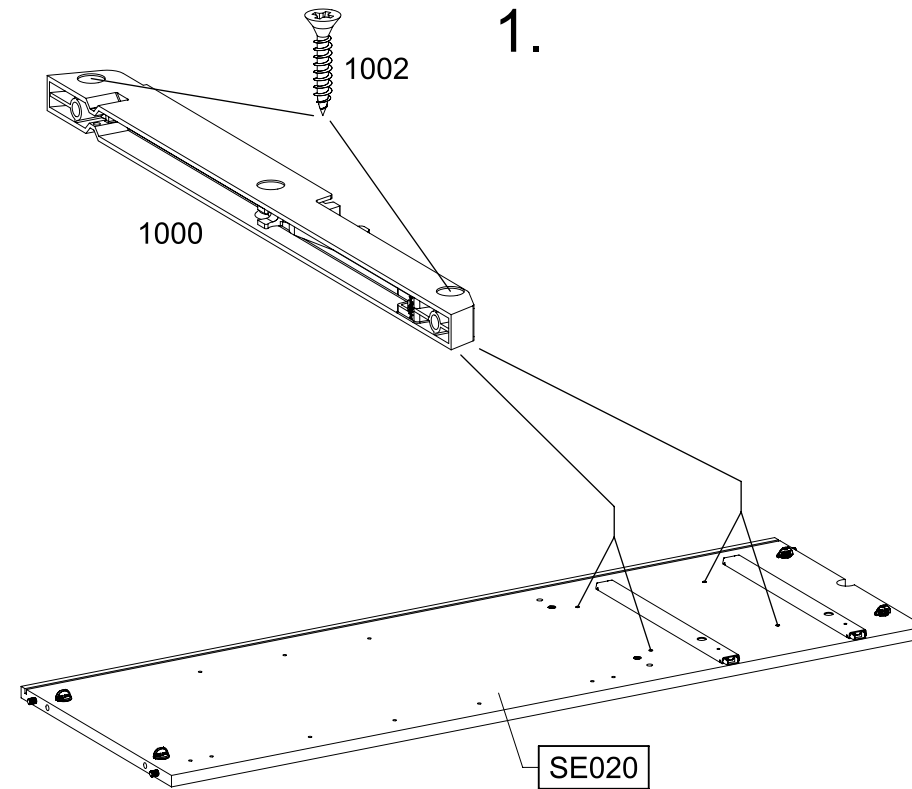
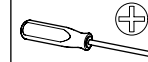
1000

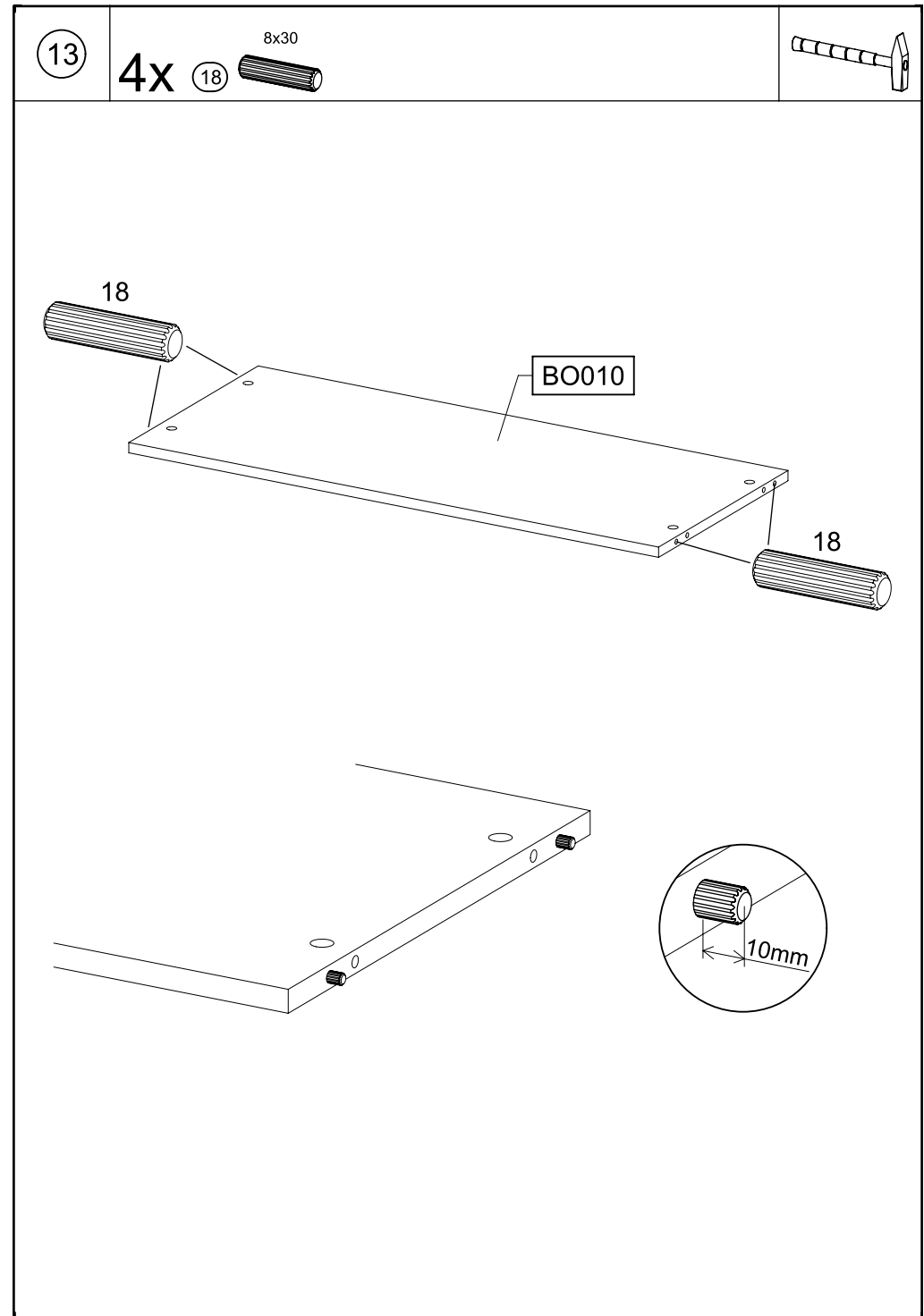
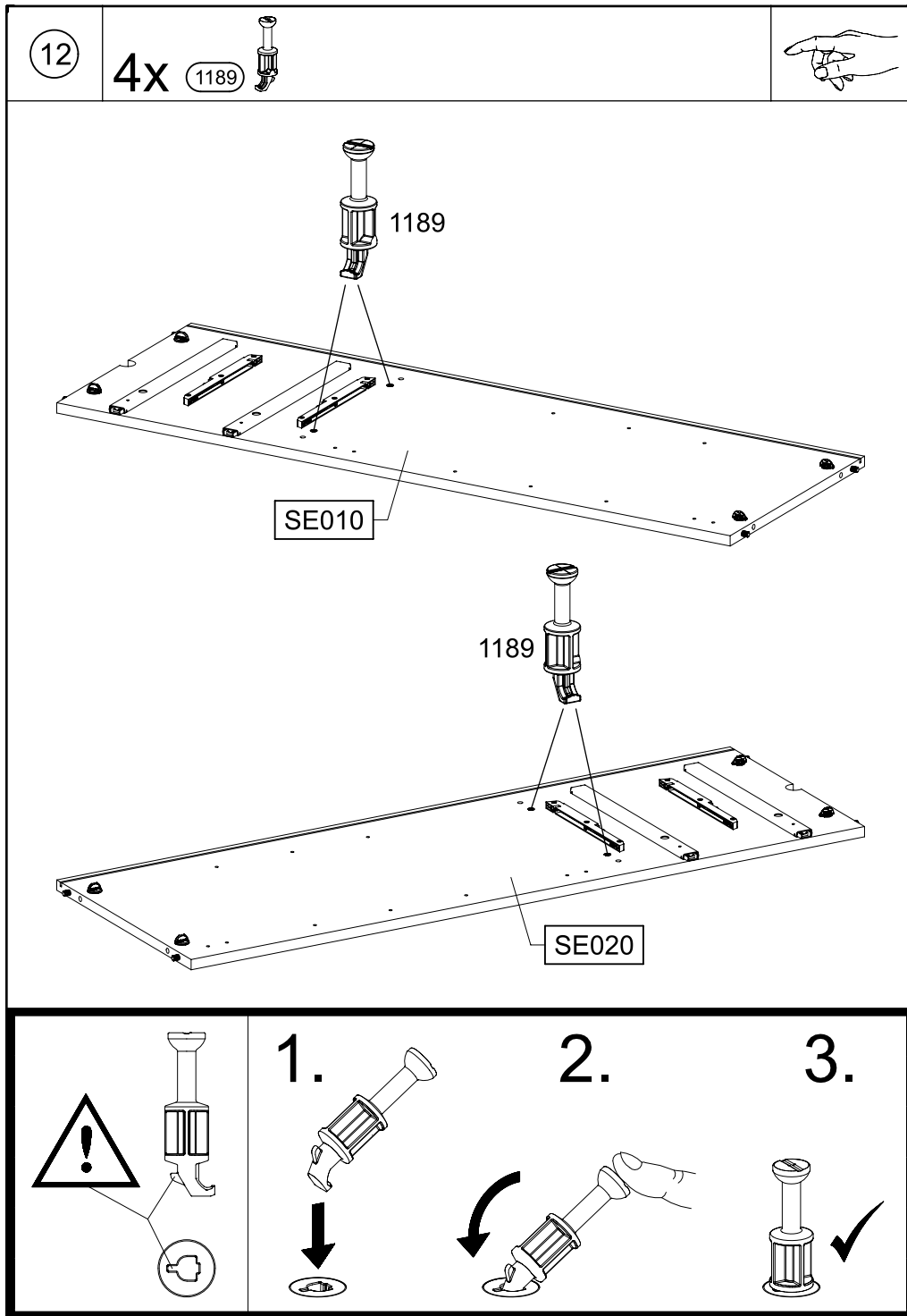


6x

1002

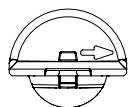
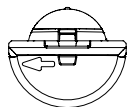
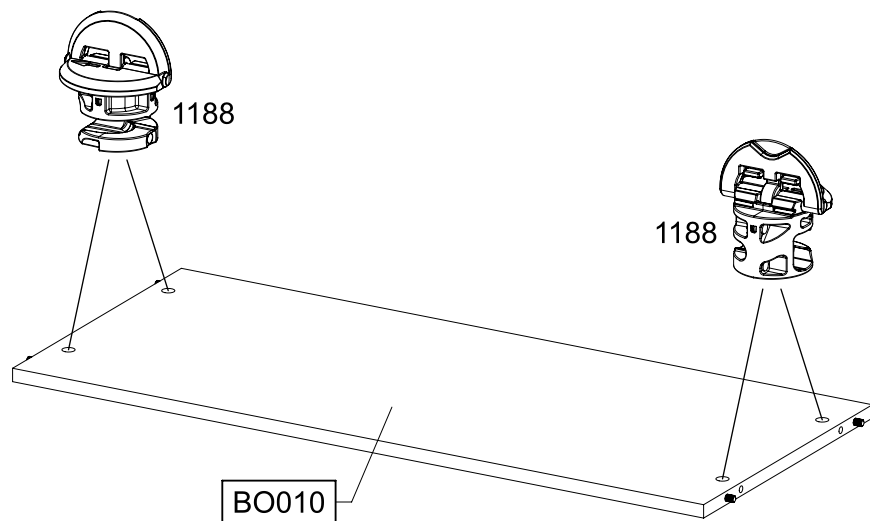
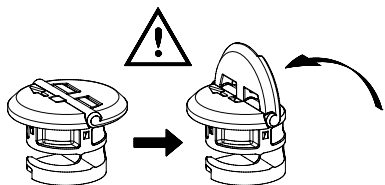
3,5x20



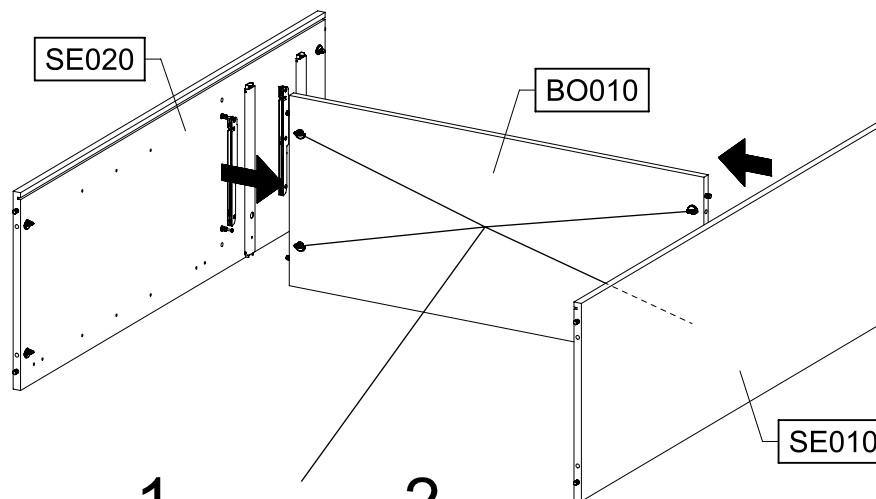


14

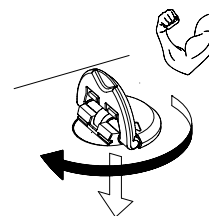
4x 1188



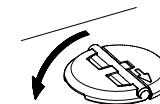
15



1.



2.

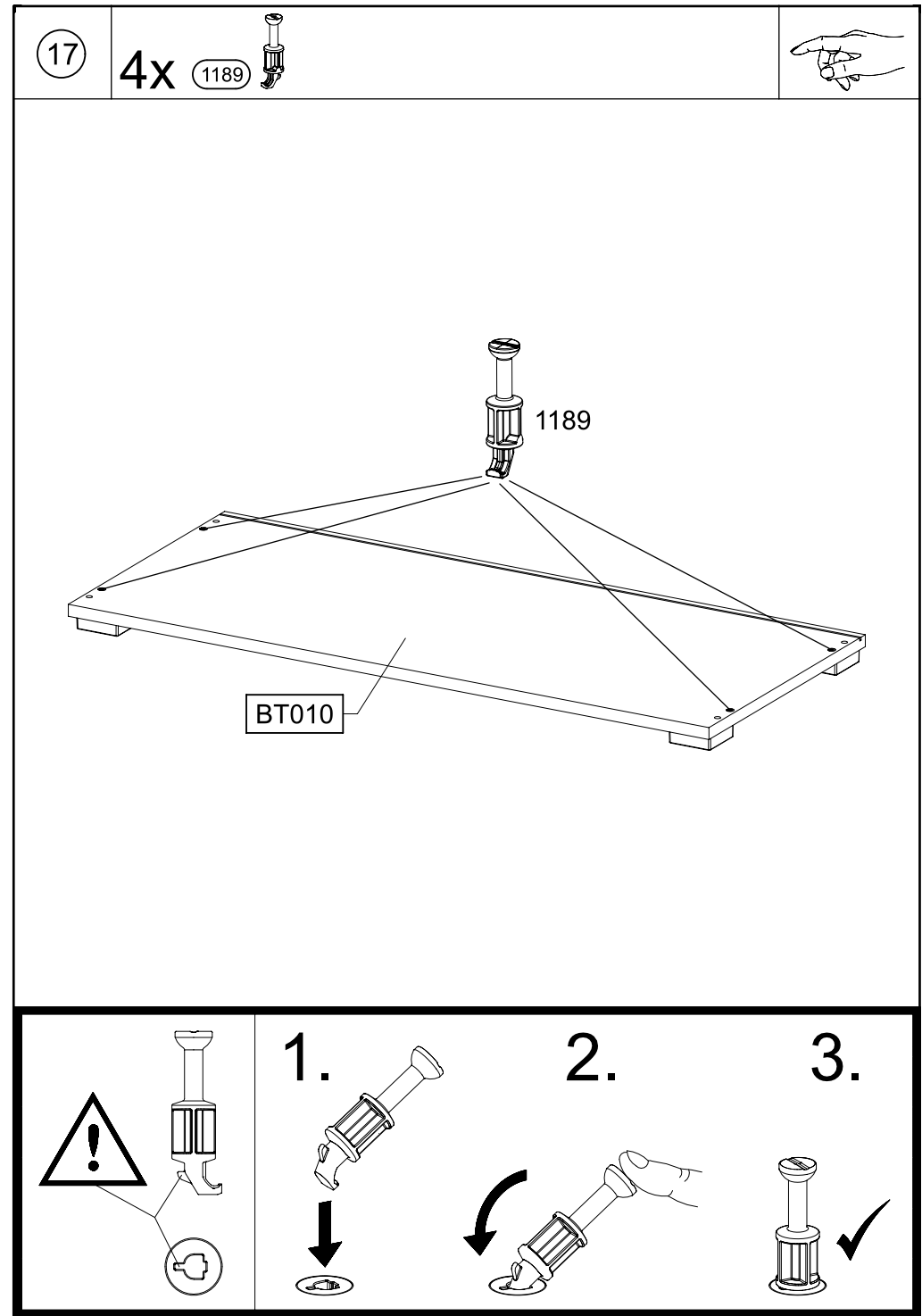
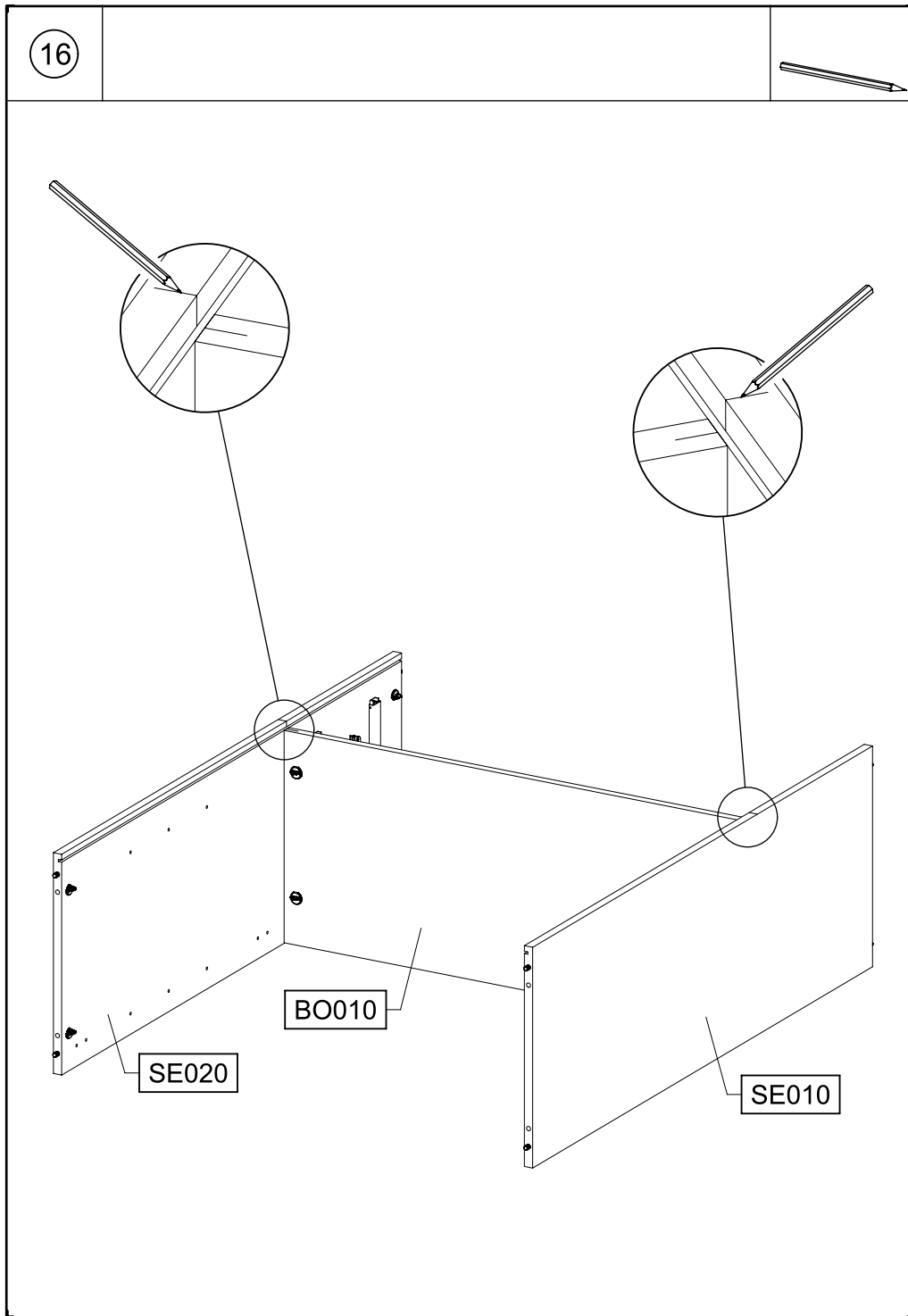


SE020

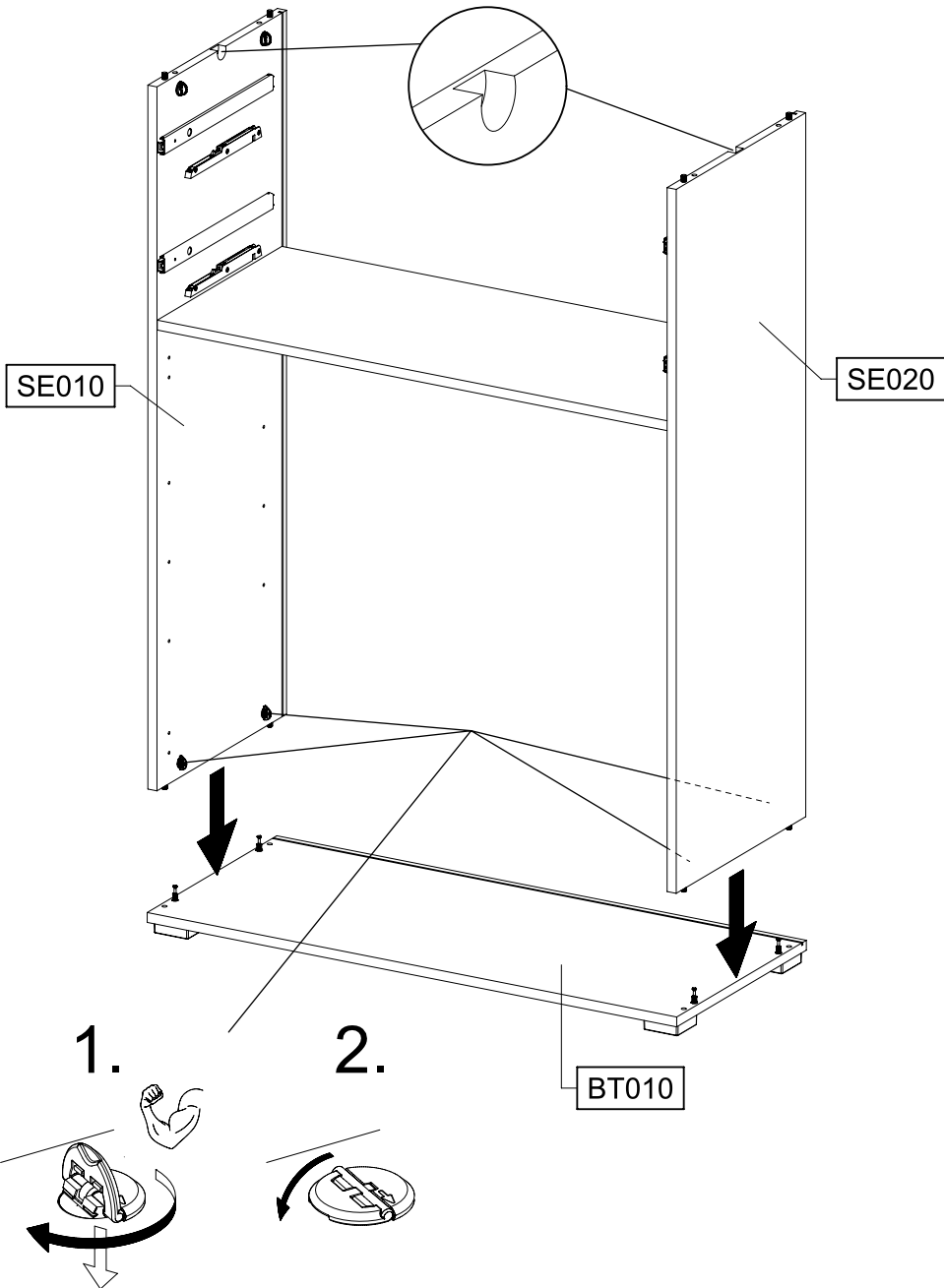
SE010

BO010

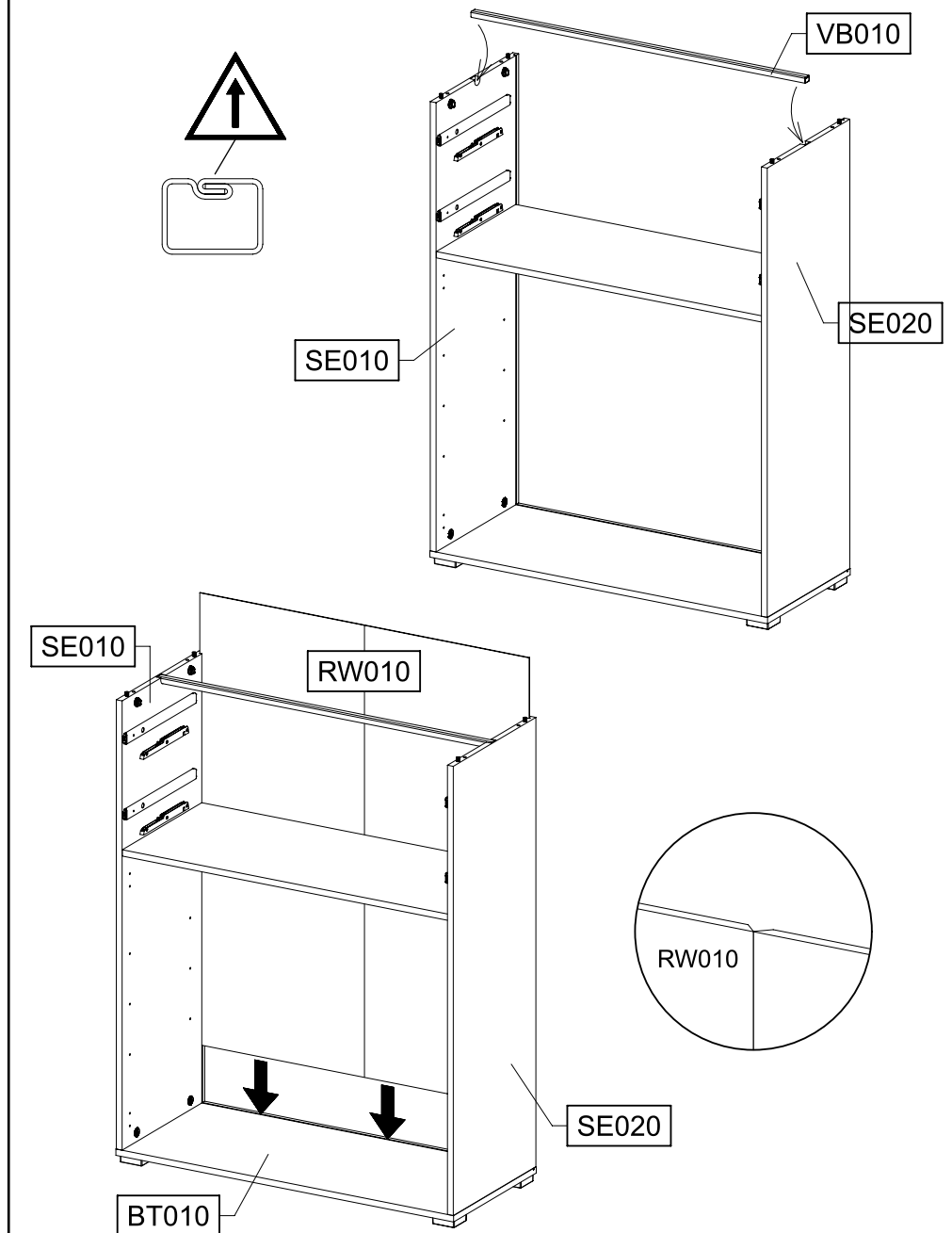




18

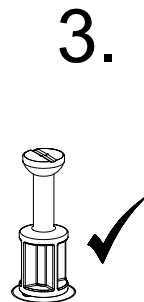
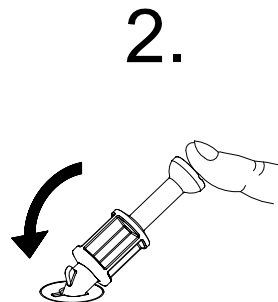
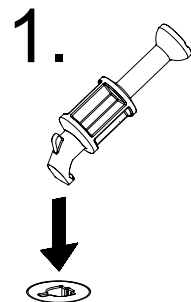
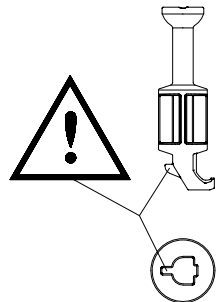
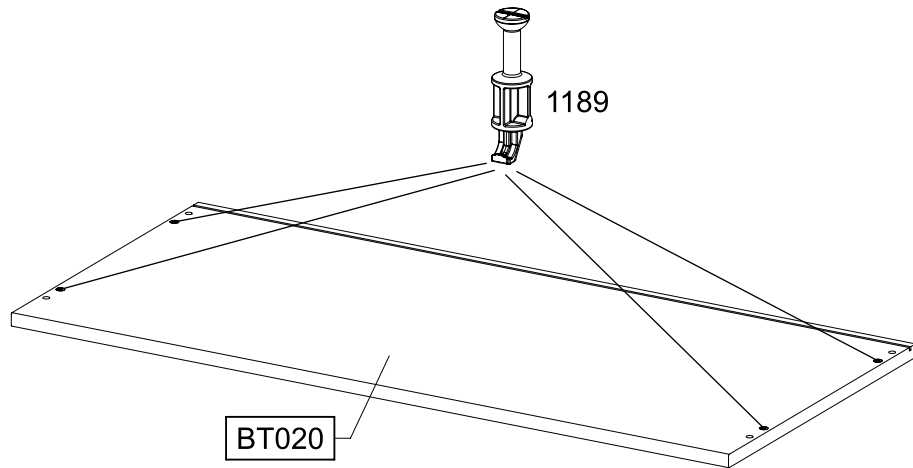


19

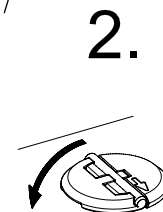
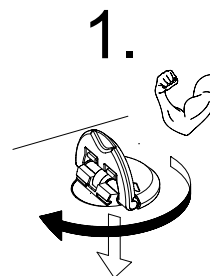
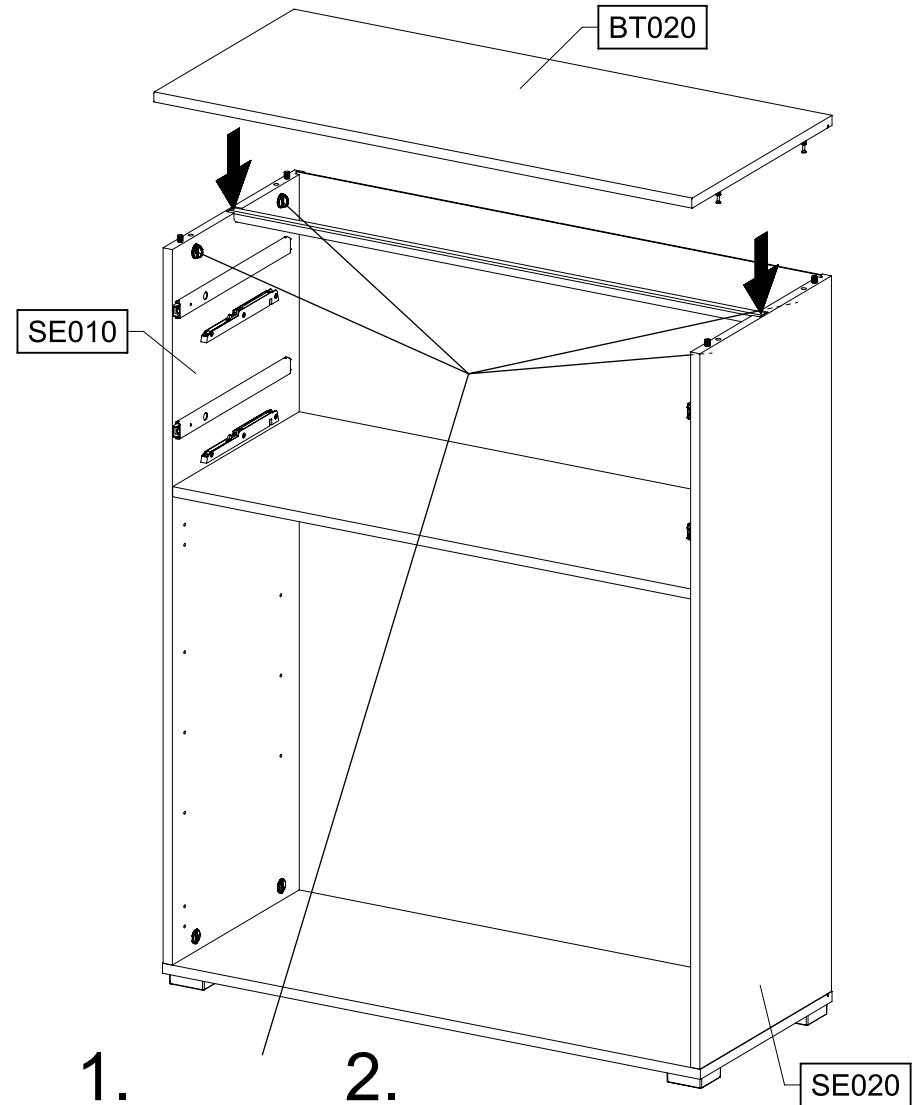


20

4x 1189



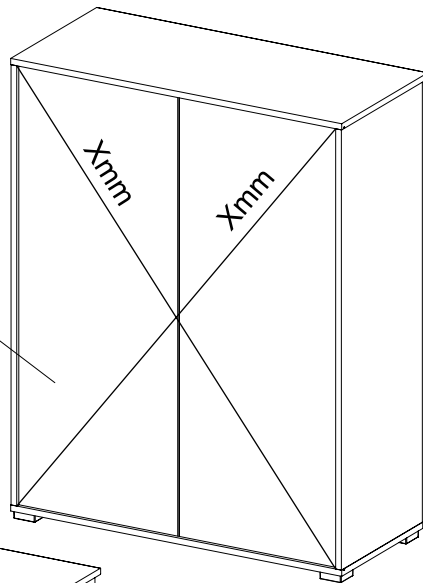
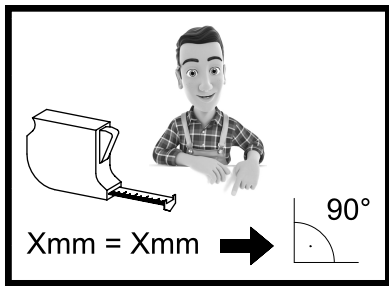
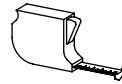
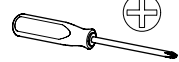
21



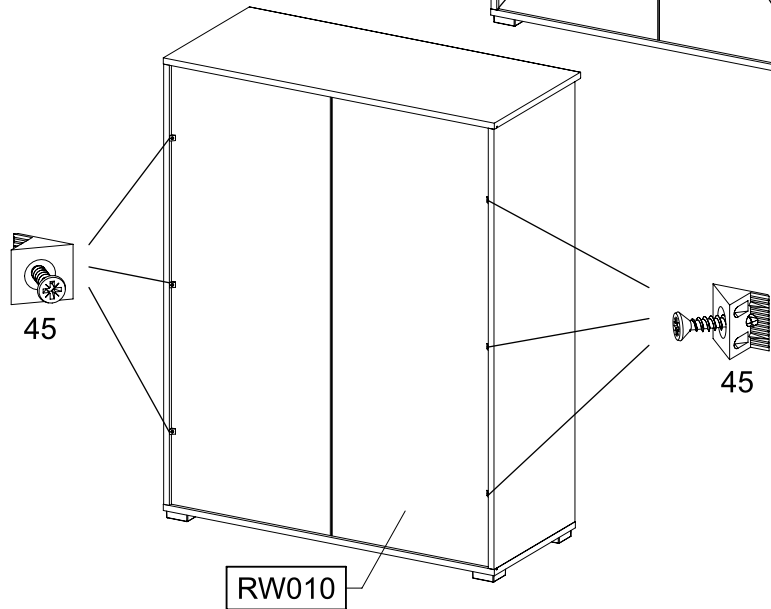
22

6x

45



RW010



45

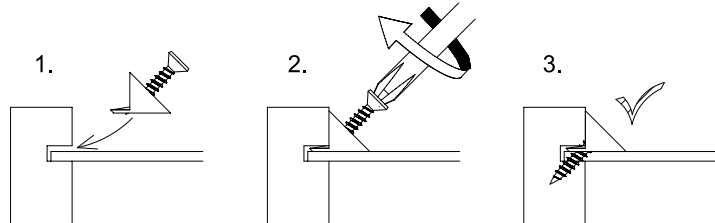
45

RW010

1.

2.

3.

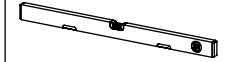


23

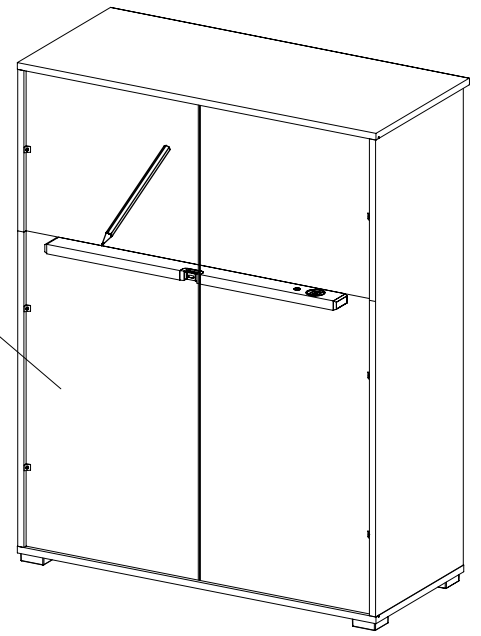
6x

215

3x20

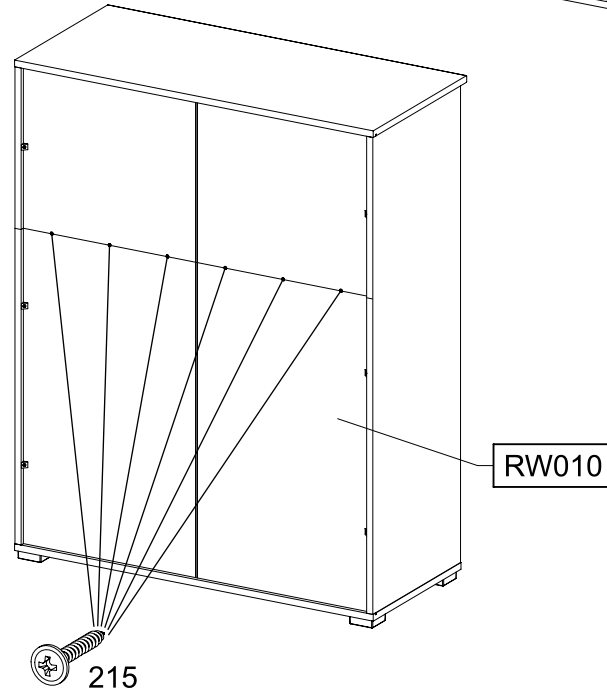


1.



RW010

2.

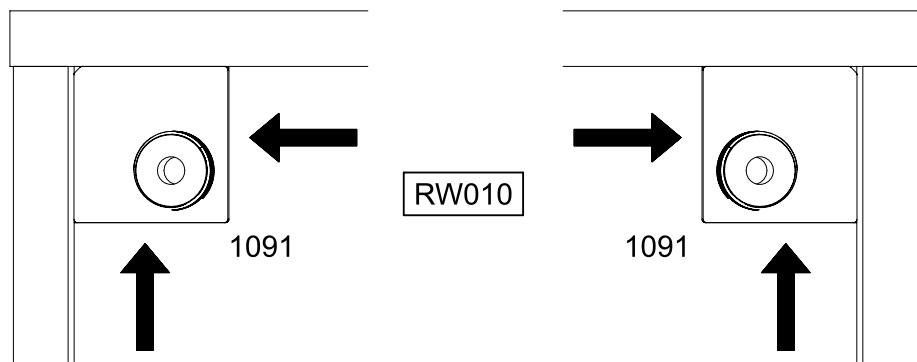
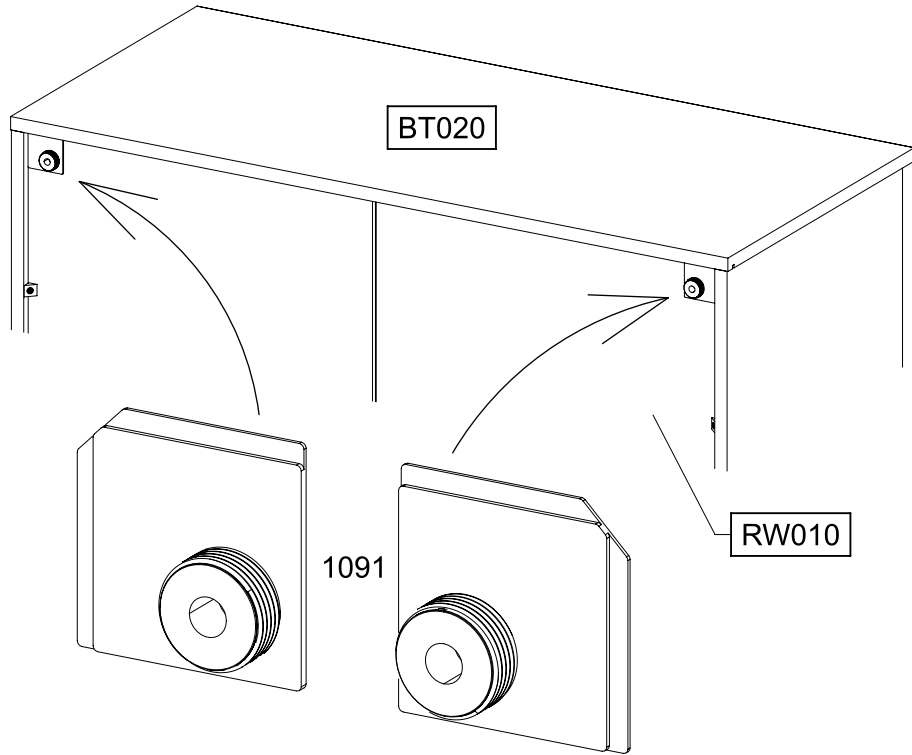


RW010

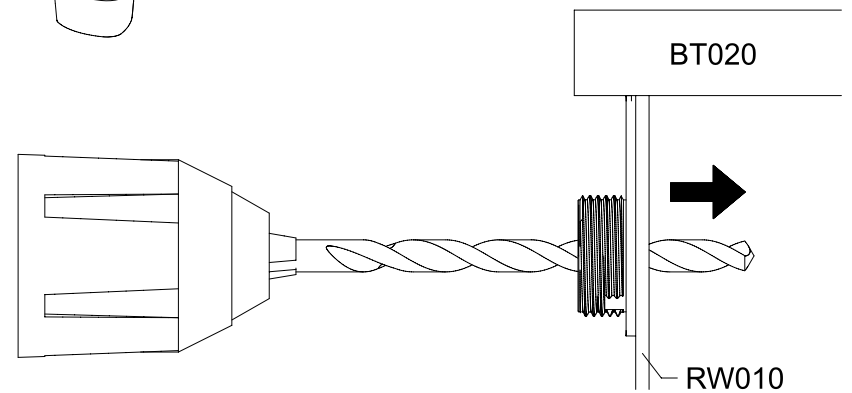
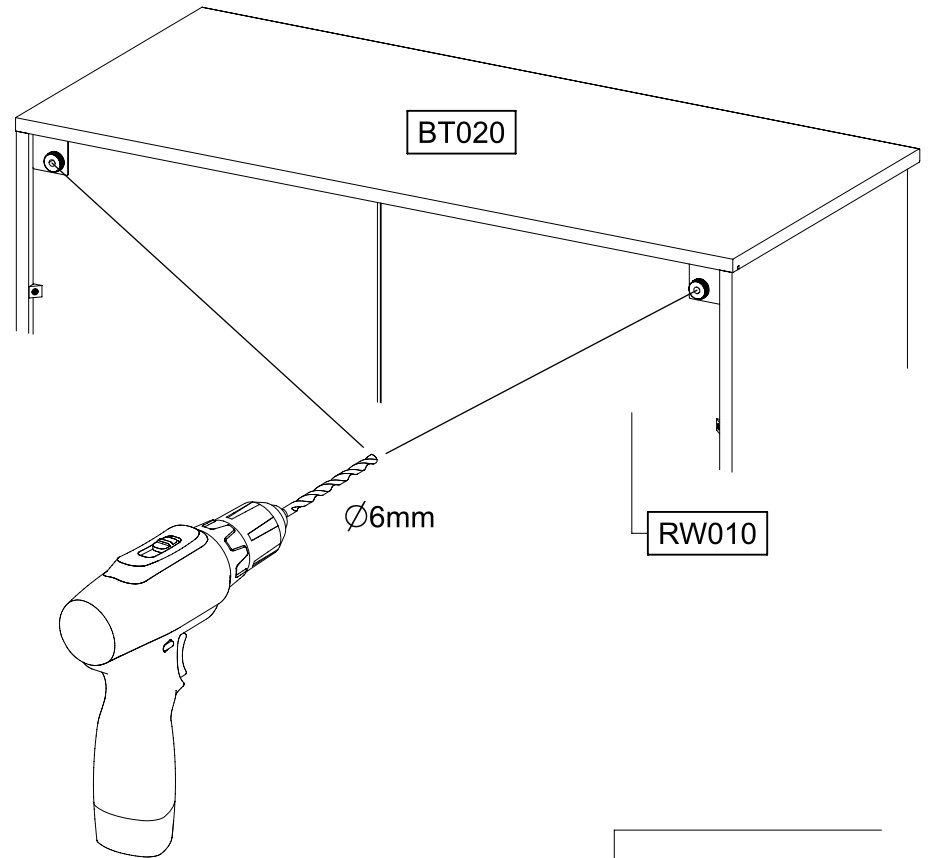
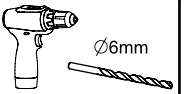
215

24

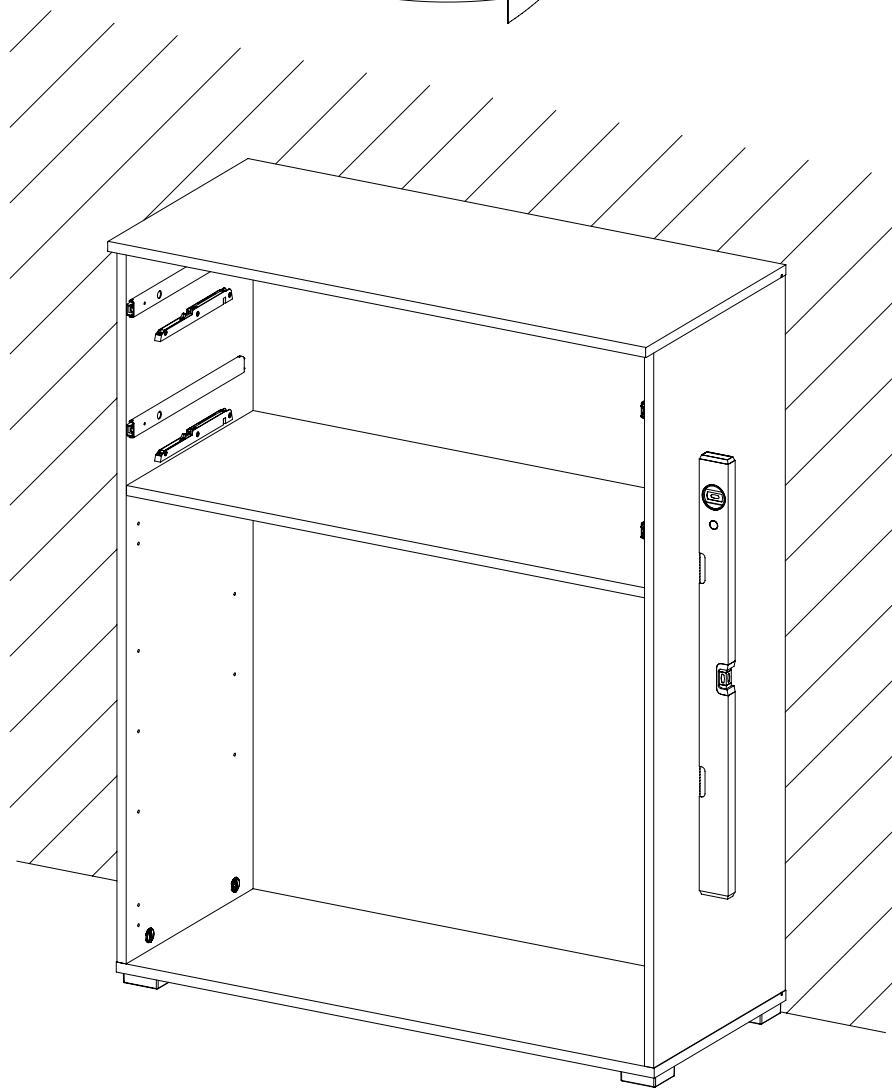
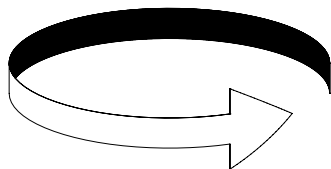
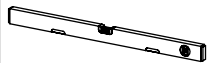
2x 1091



25



26



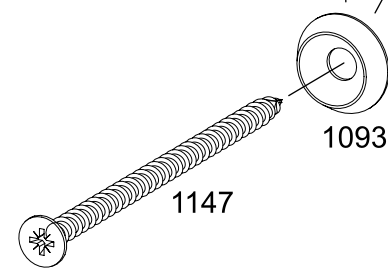
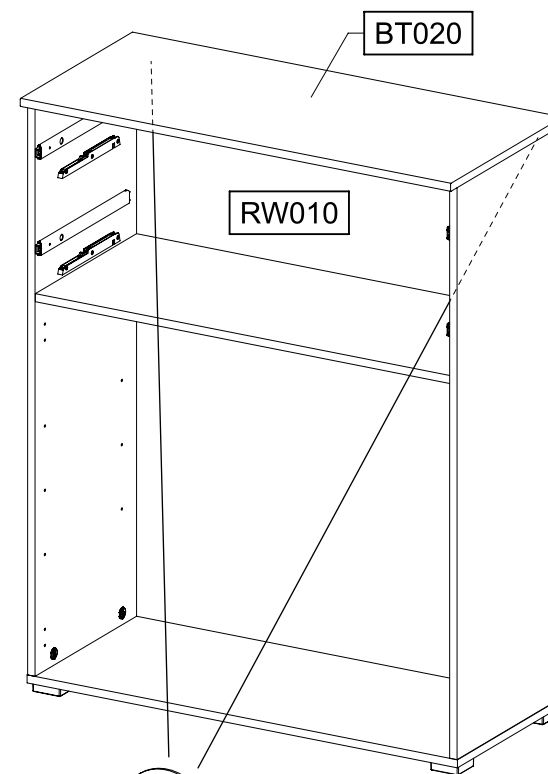
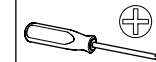
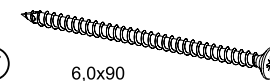
27

2x 1093



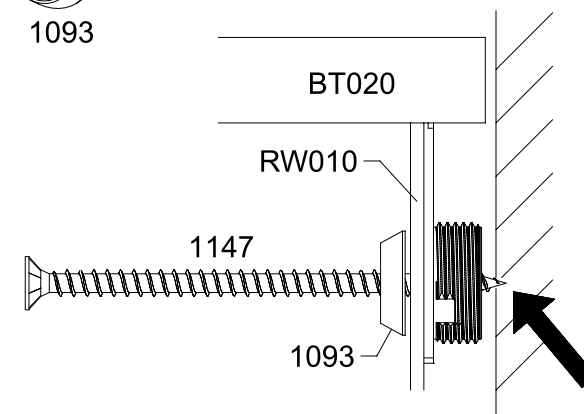
2x 1147

6,0x90



1093

1147



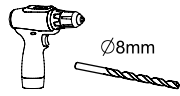
BT020

RW010

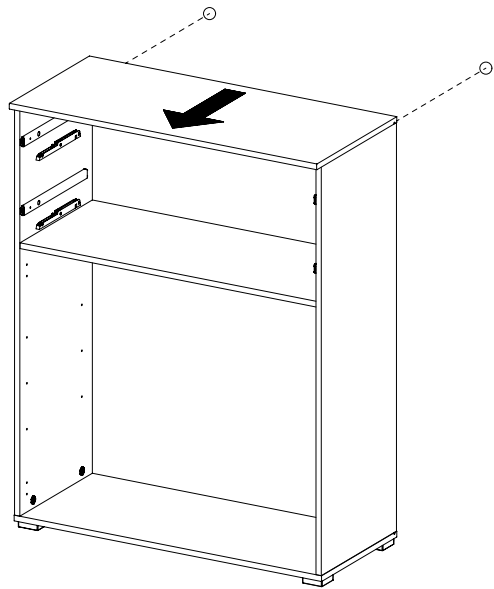
1147

1093

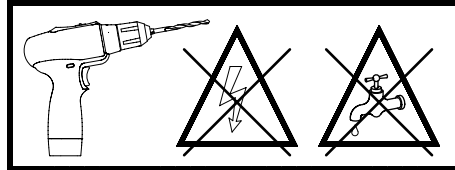
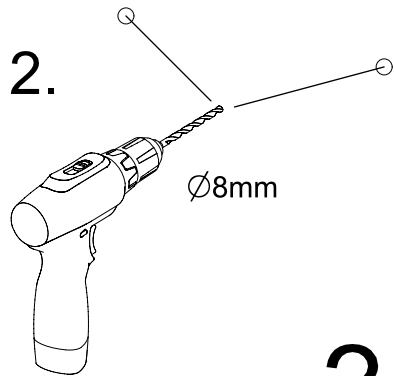
28



1.

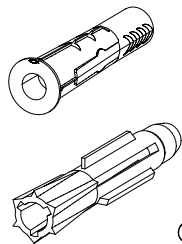
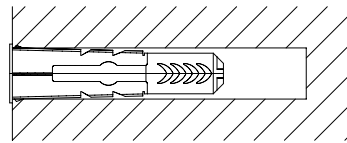


2.



?

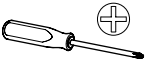
3.



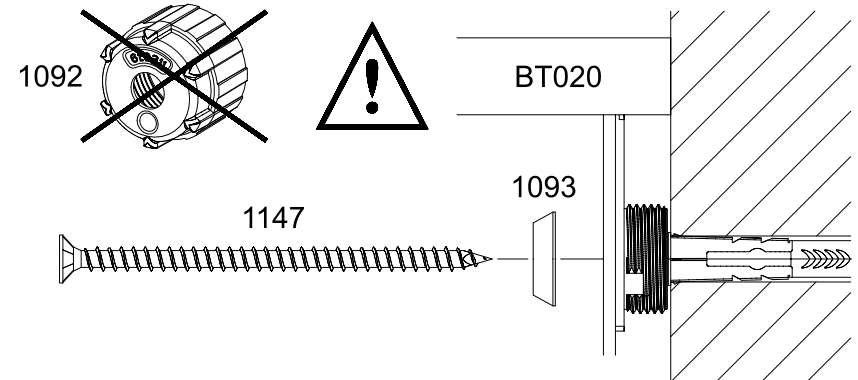
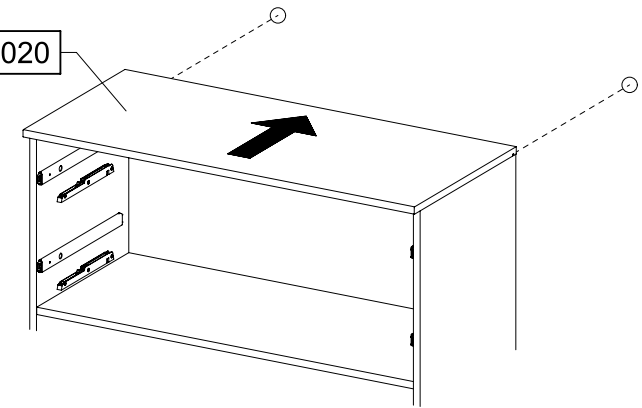
Ø8mm

29

2x 1092



BT020



1092

1147

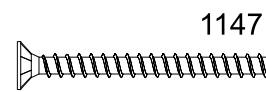
BT020

1093

10-15mm



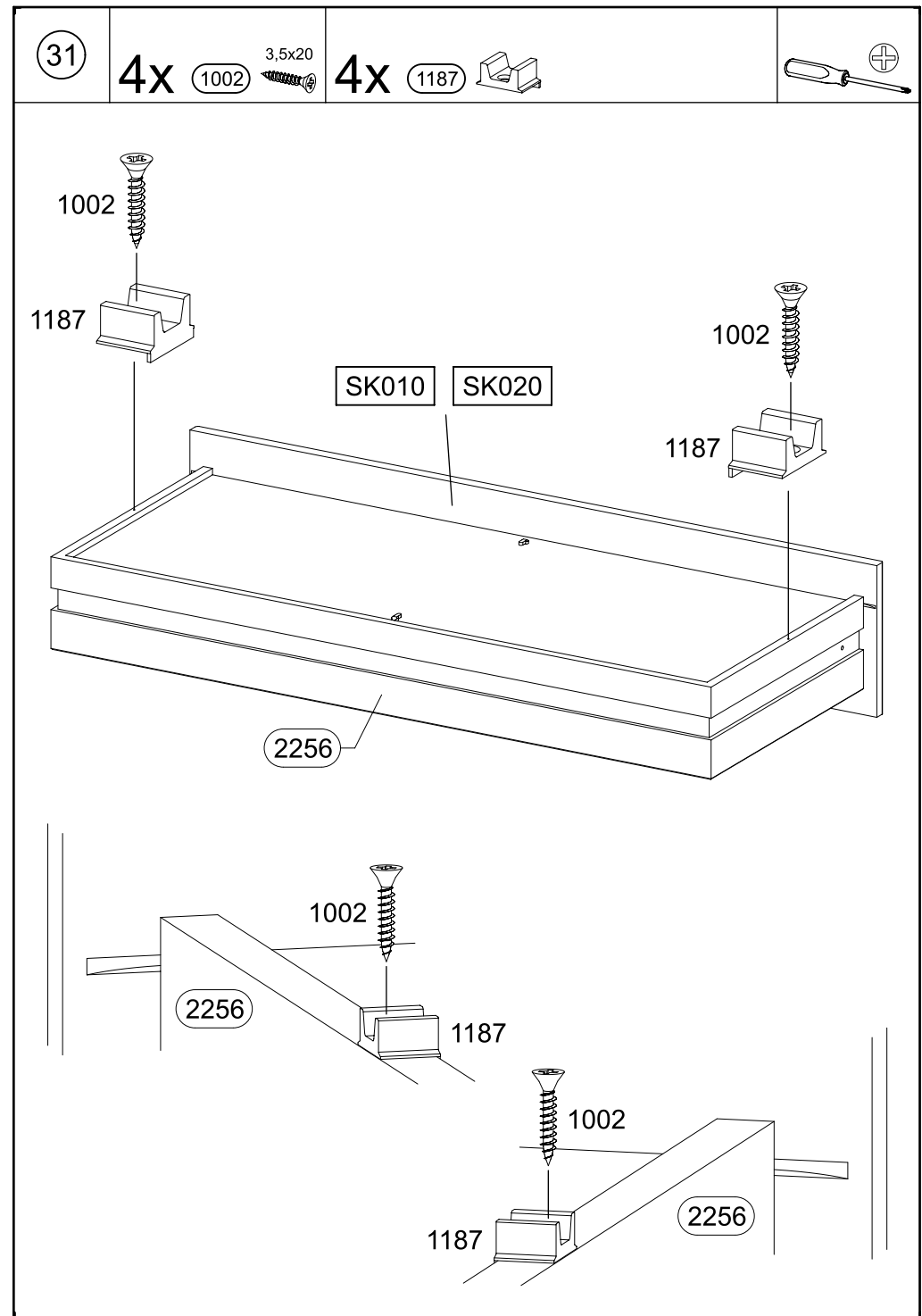
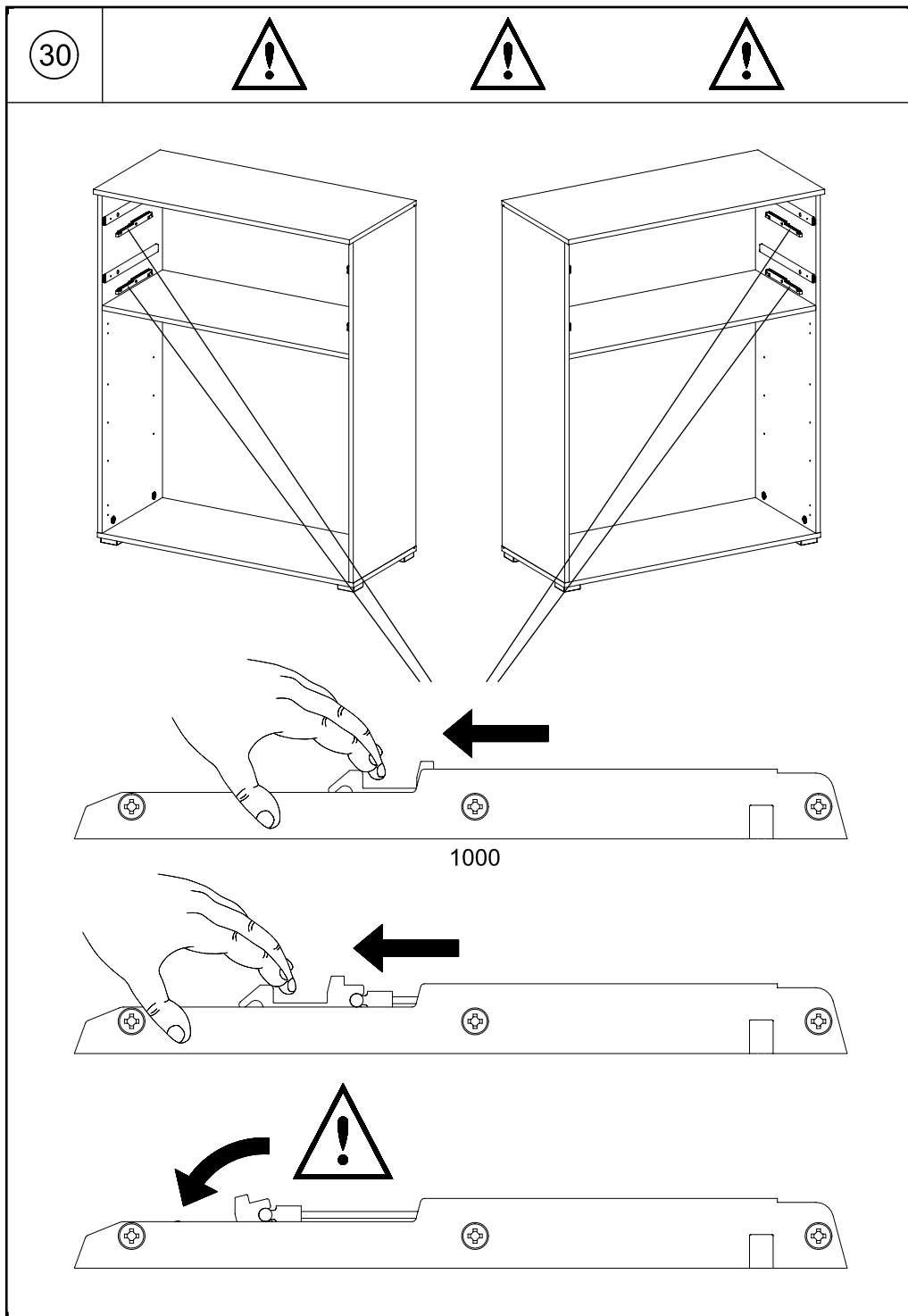
BT020



1147

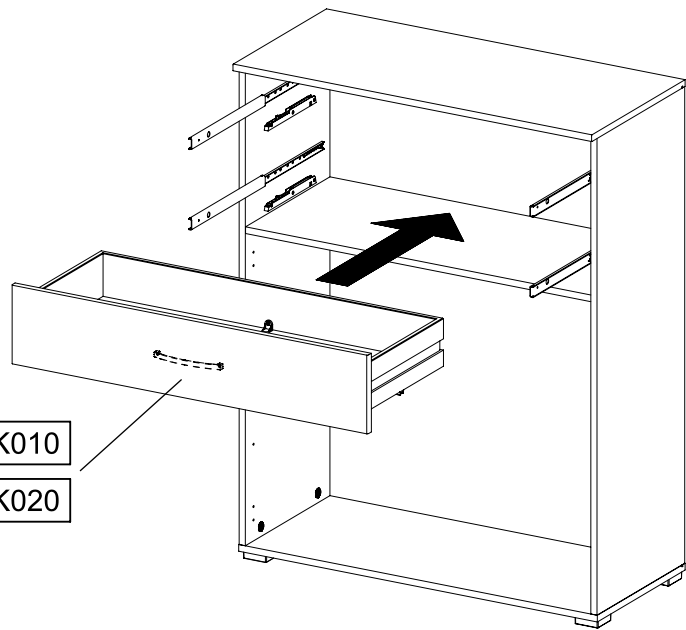
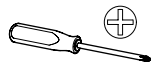
1093

1092

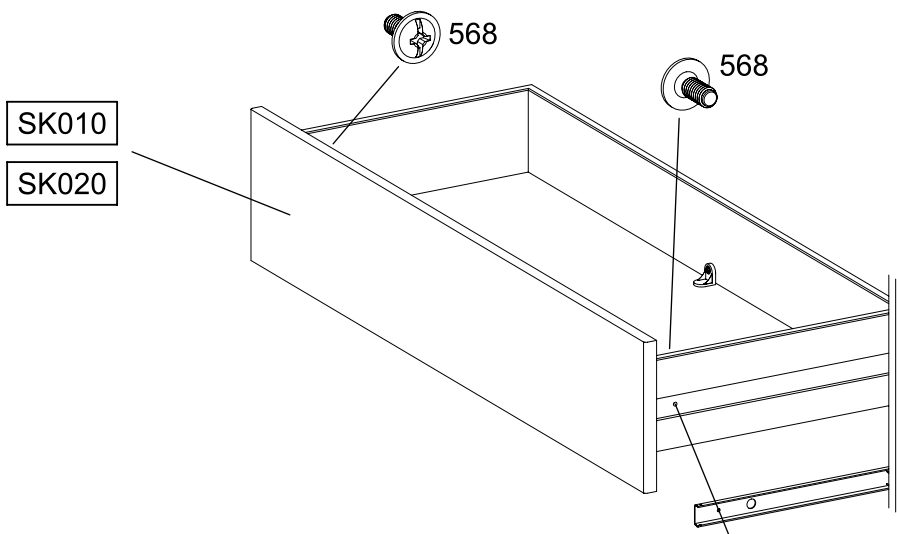


32

4x 568 M4x9



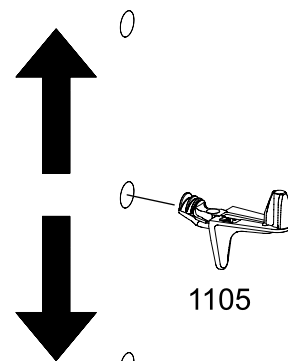
SK010
SK020



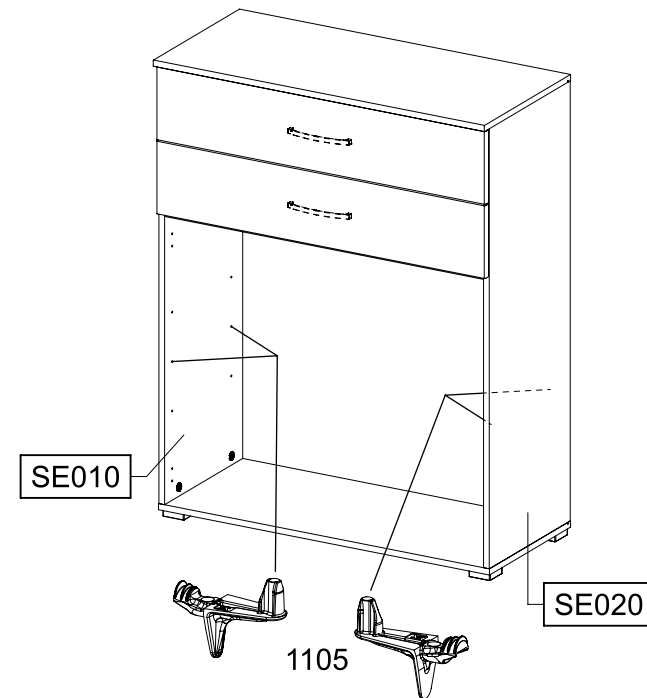
SK010
SK020

33

4x 1105



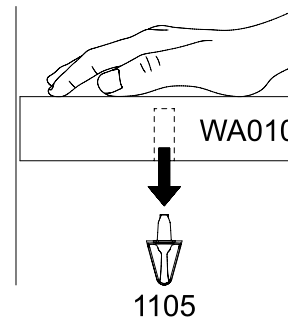
1105



SE010

SE020

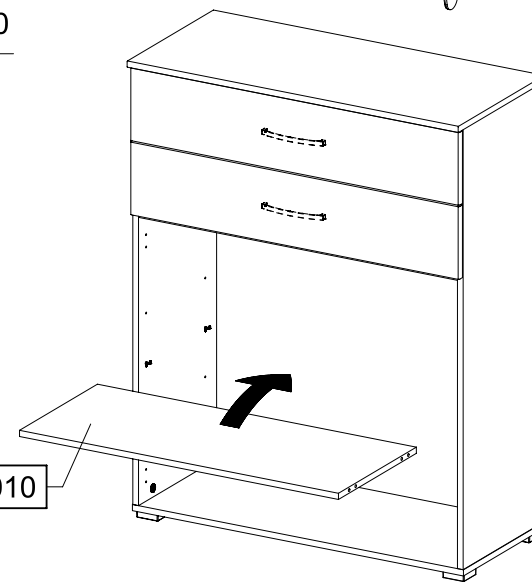
1105



WA010

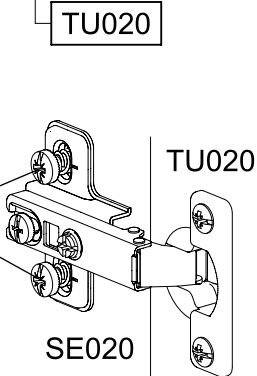
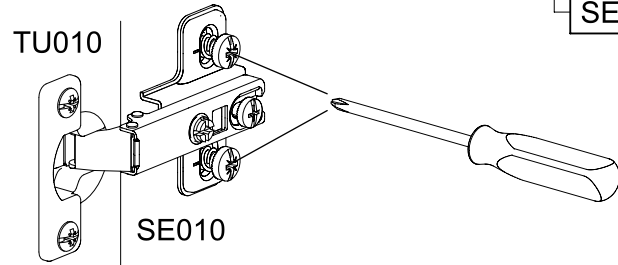
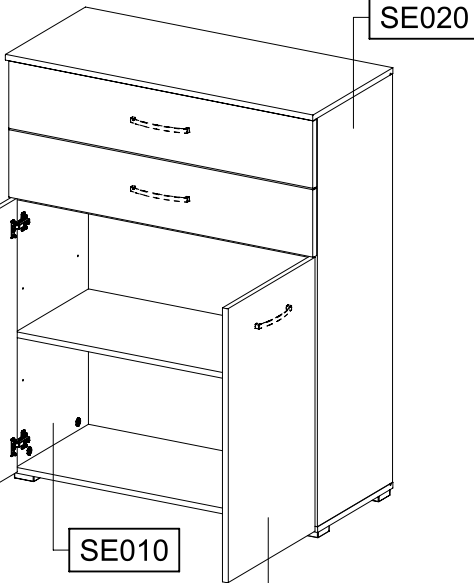
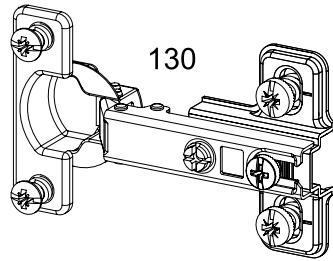
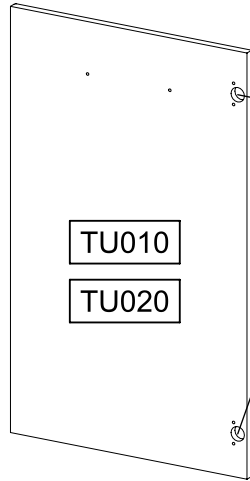
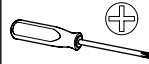
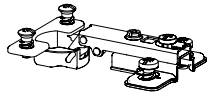
1105

WA010



34

4x 130



35

