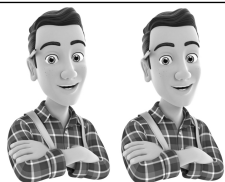
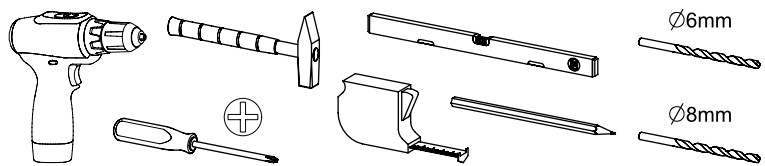
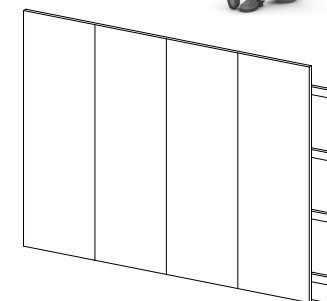
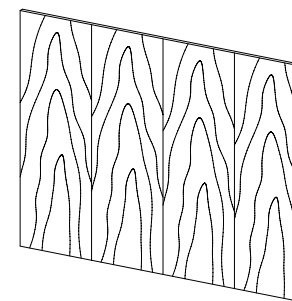
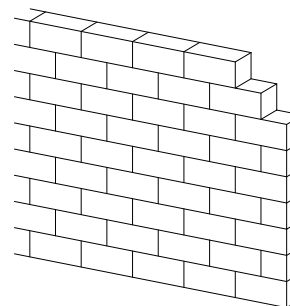
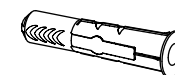
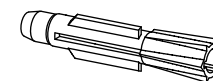
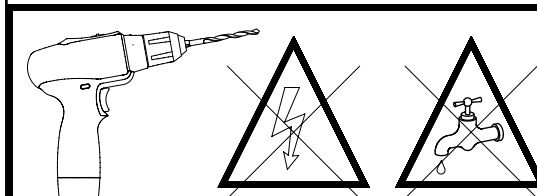
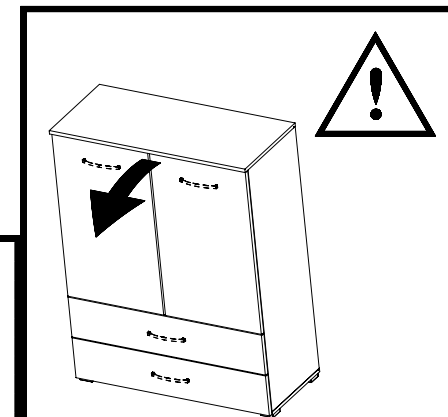
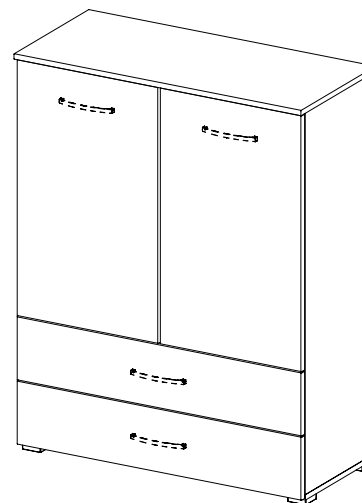
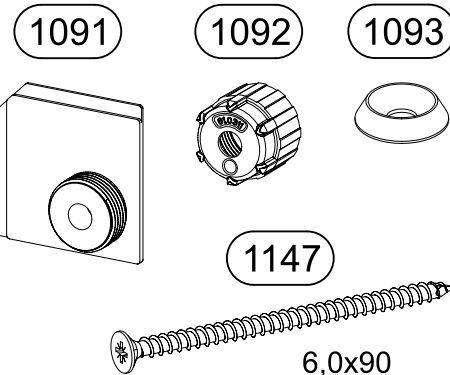
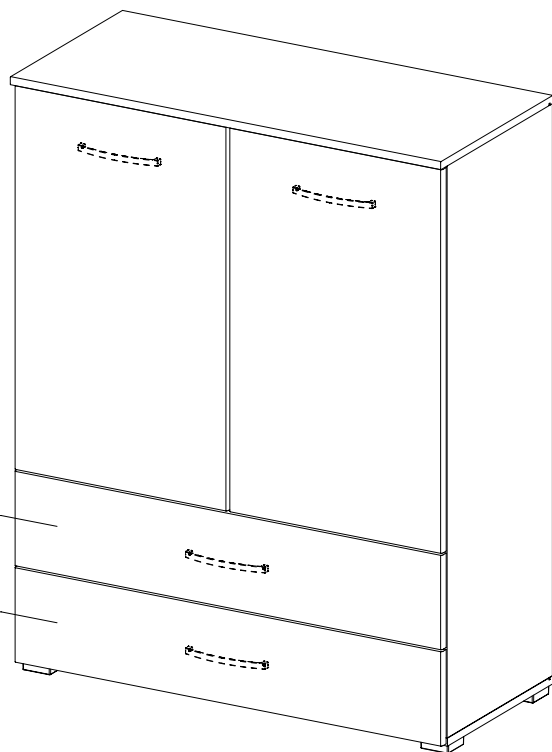
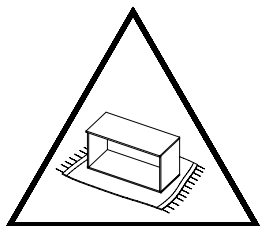


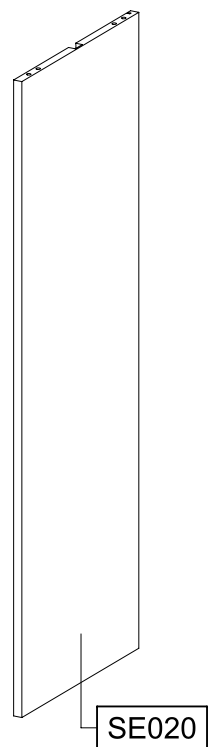
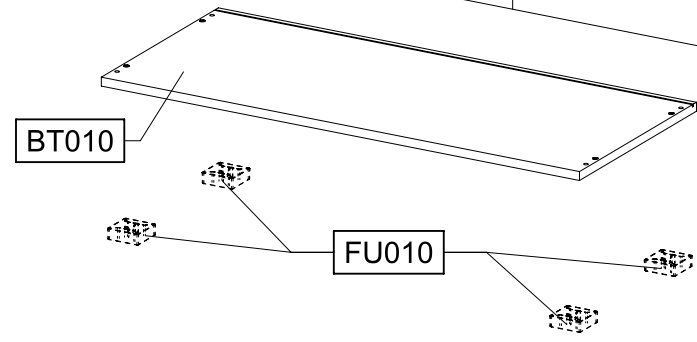
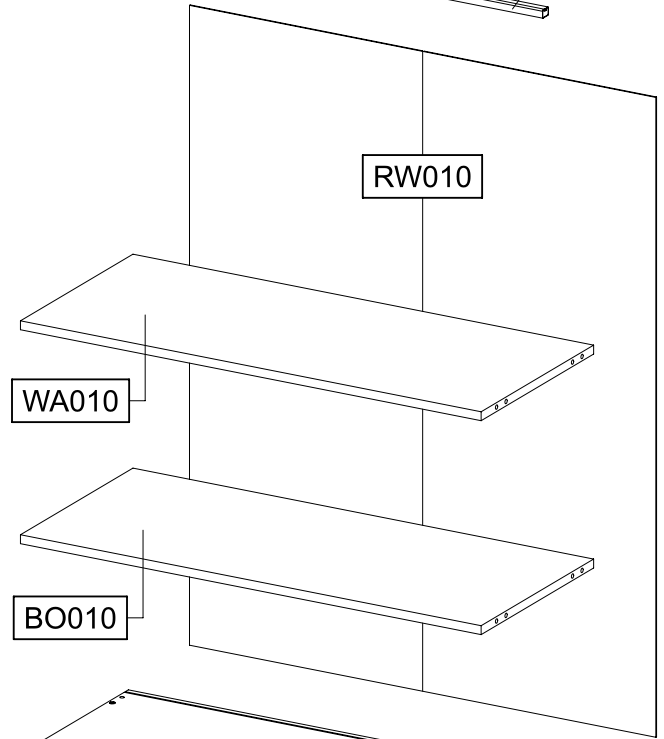
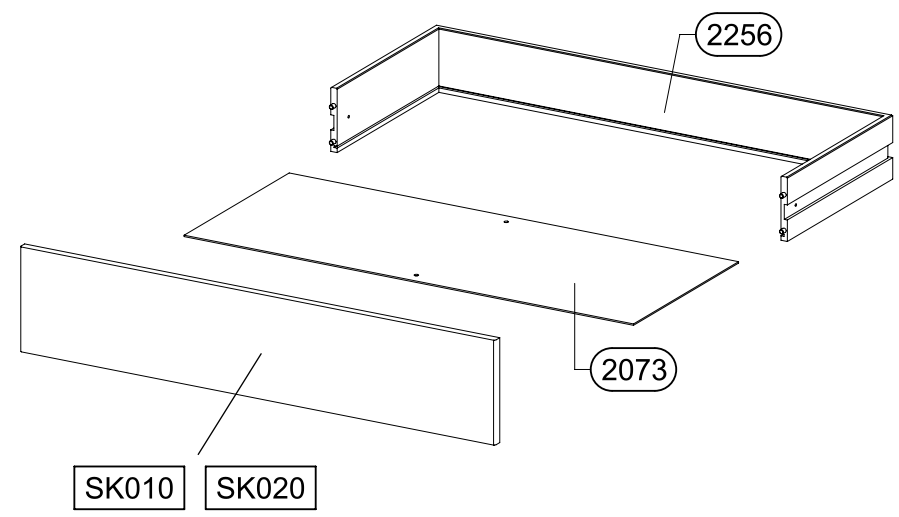
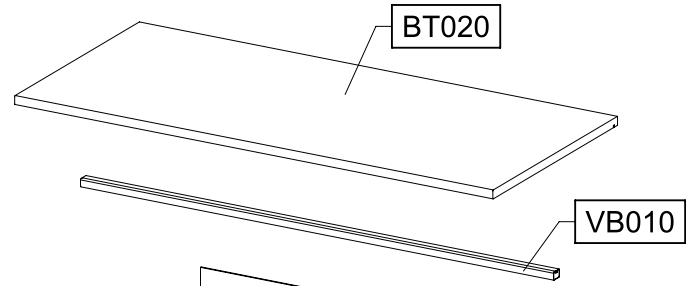
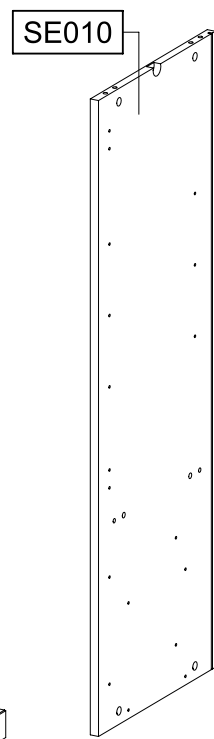
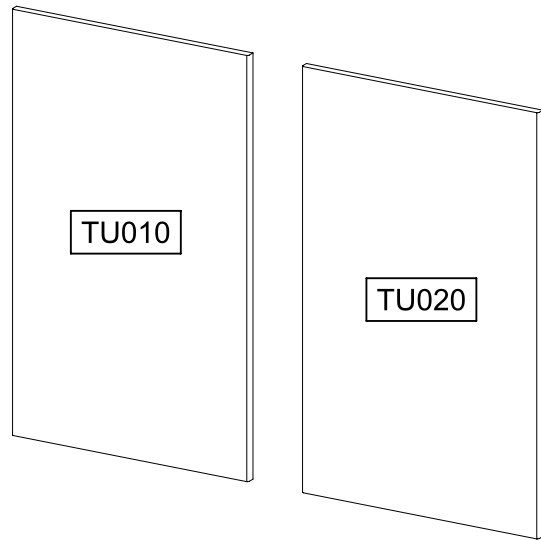
M2618\_02

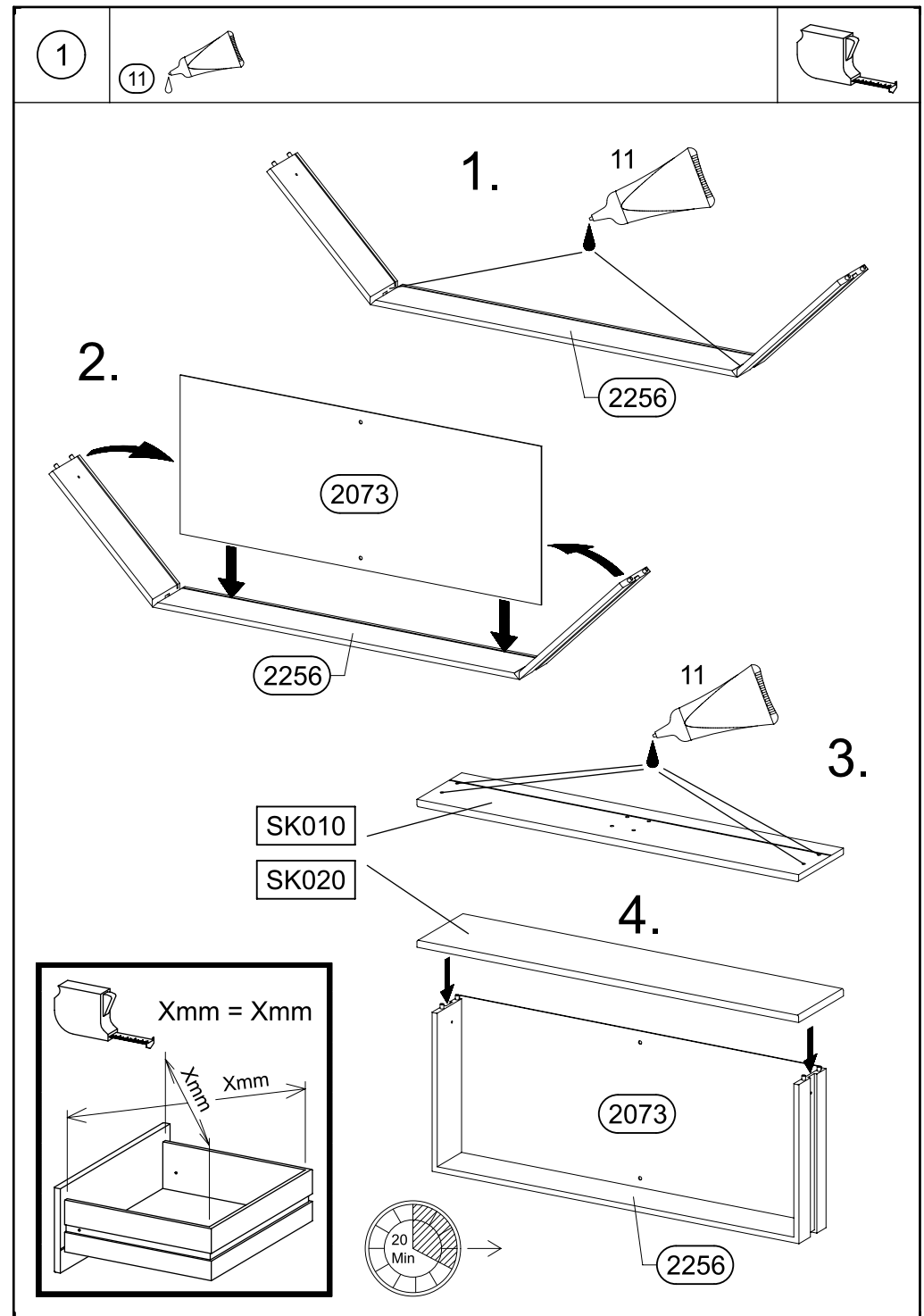
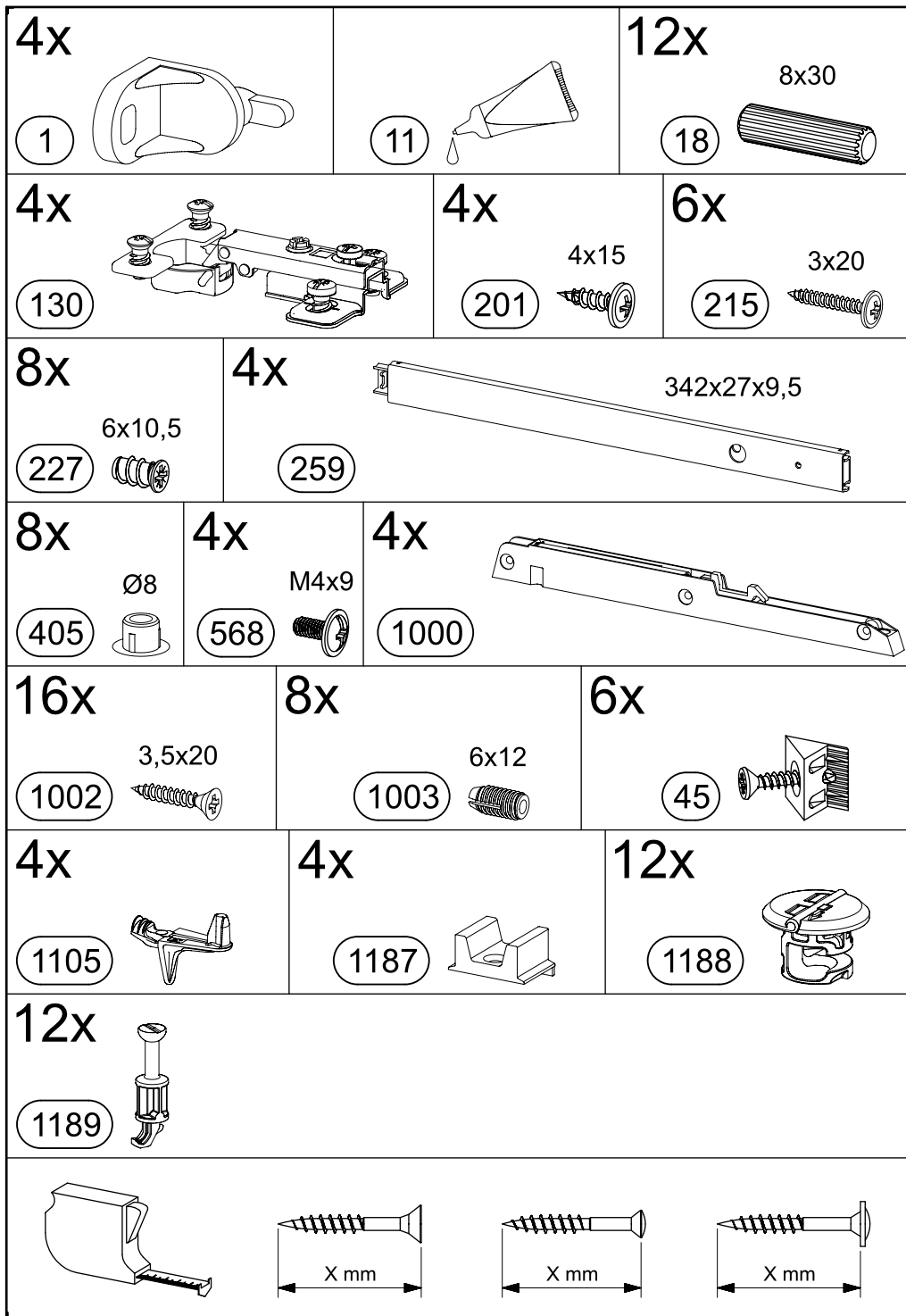
rauch

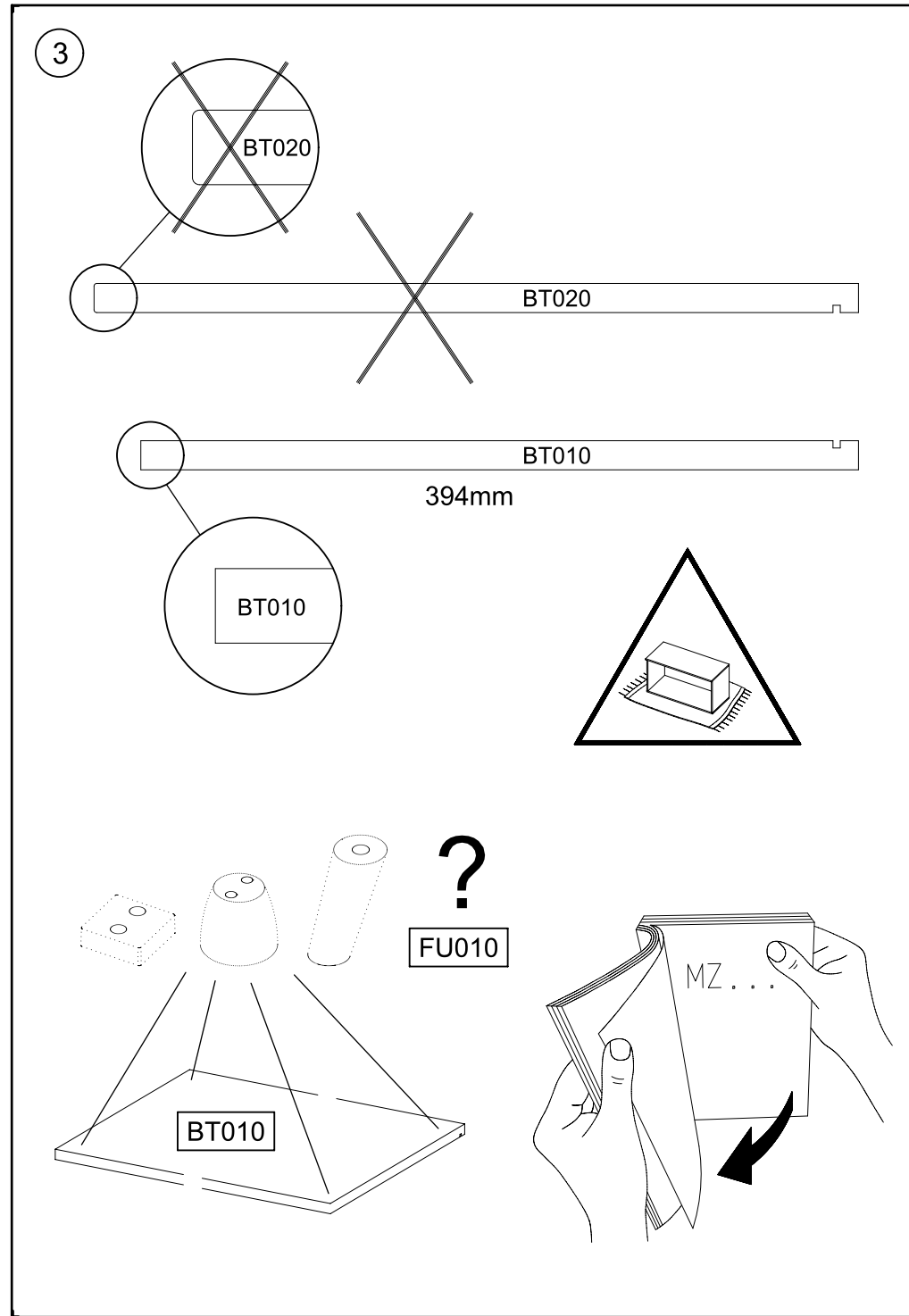
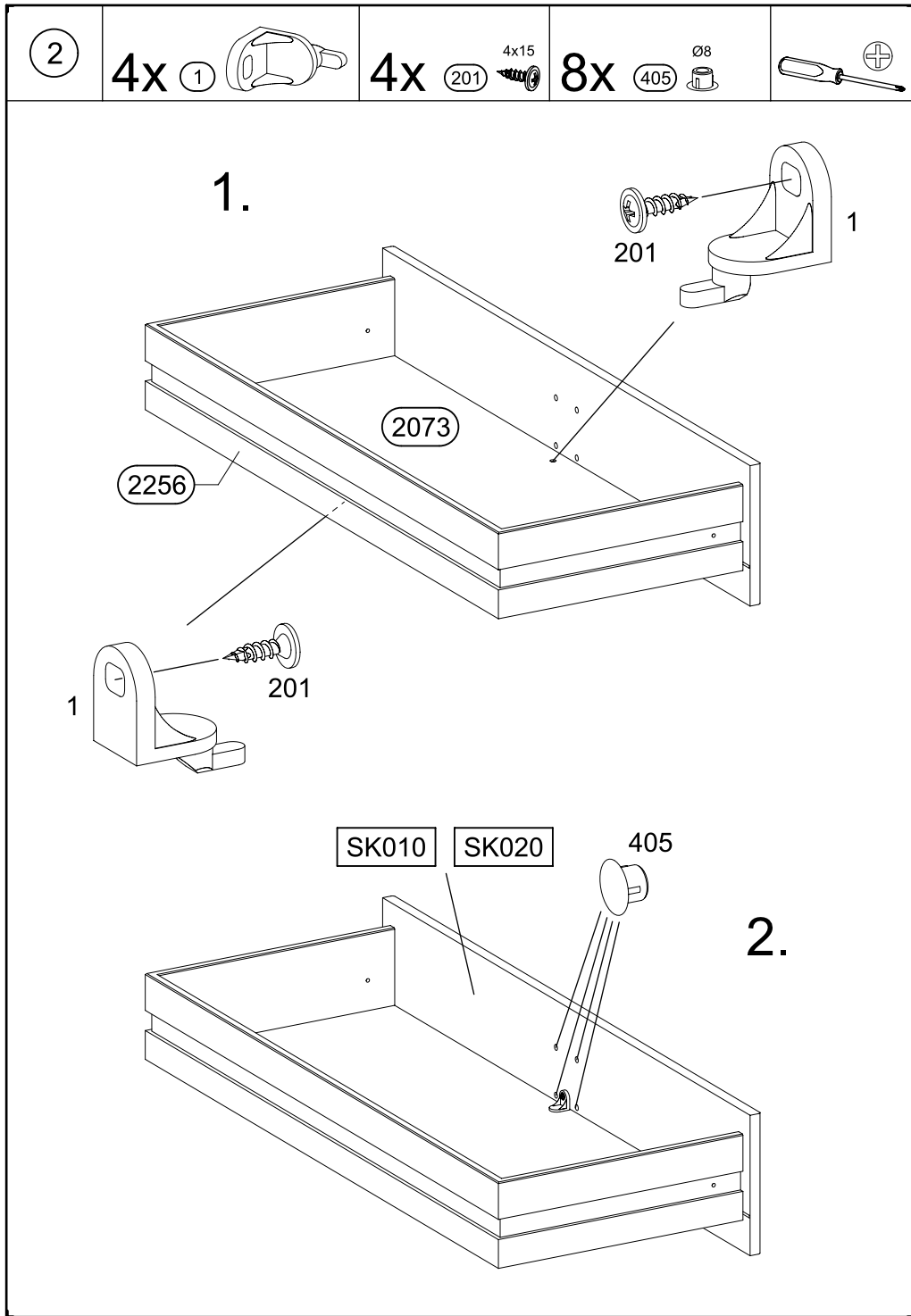


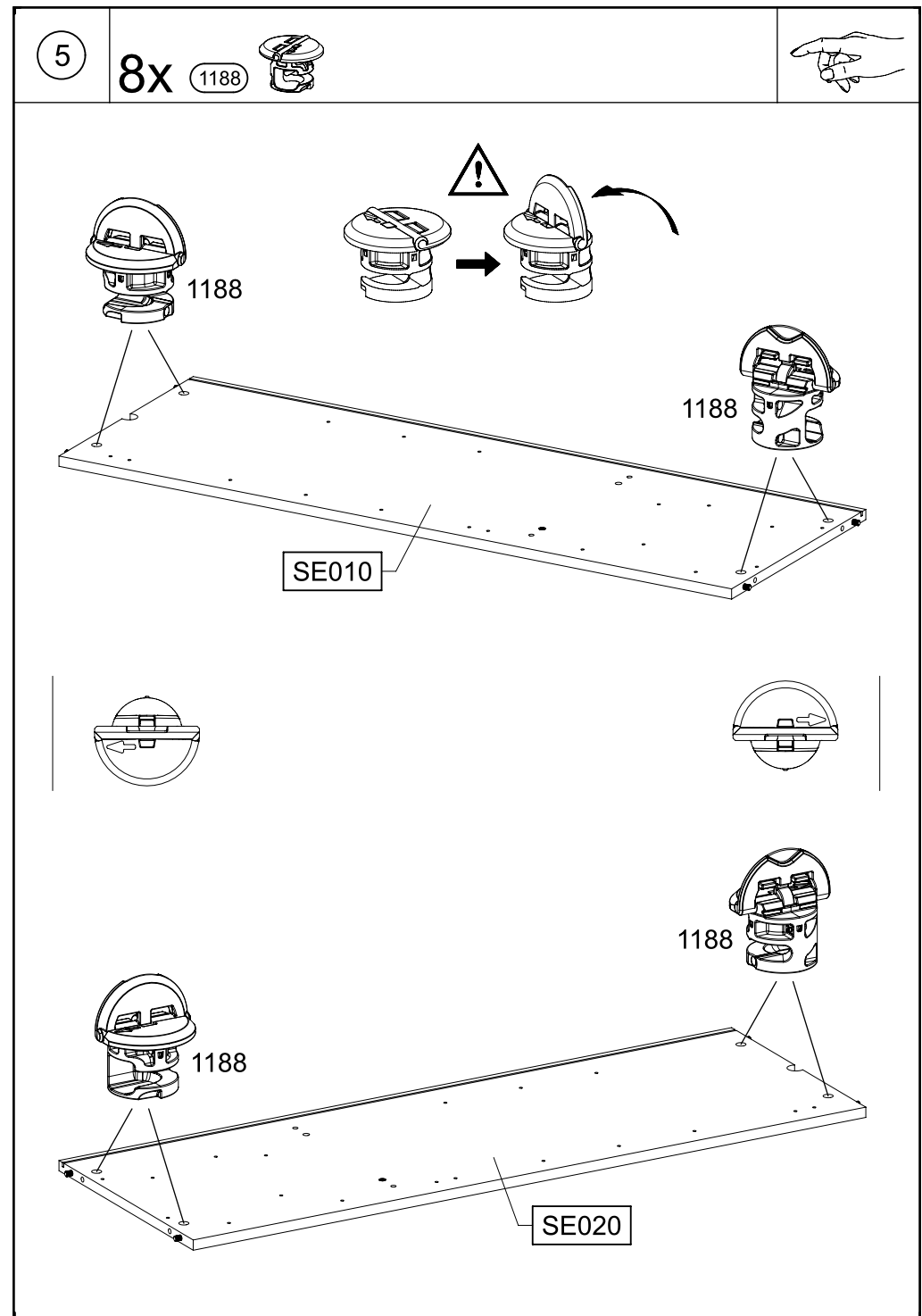
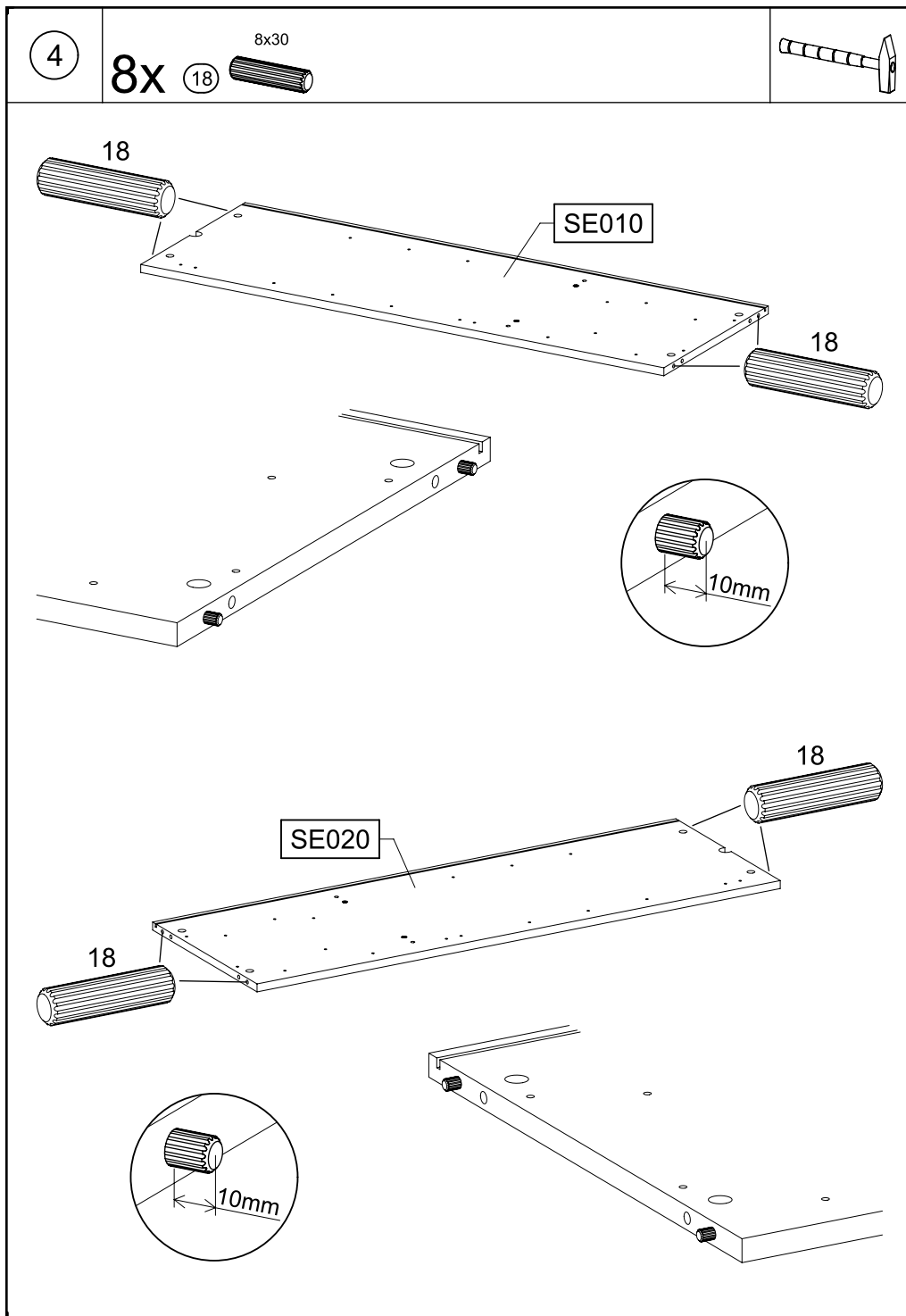
1,5-2h

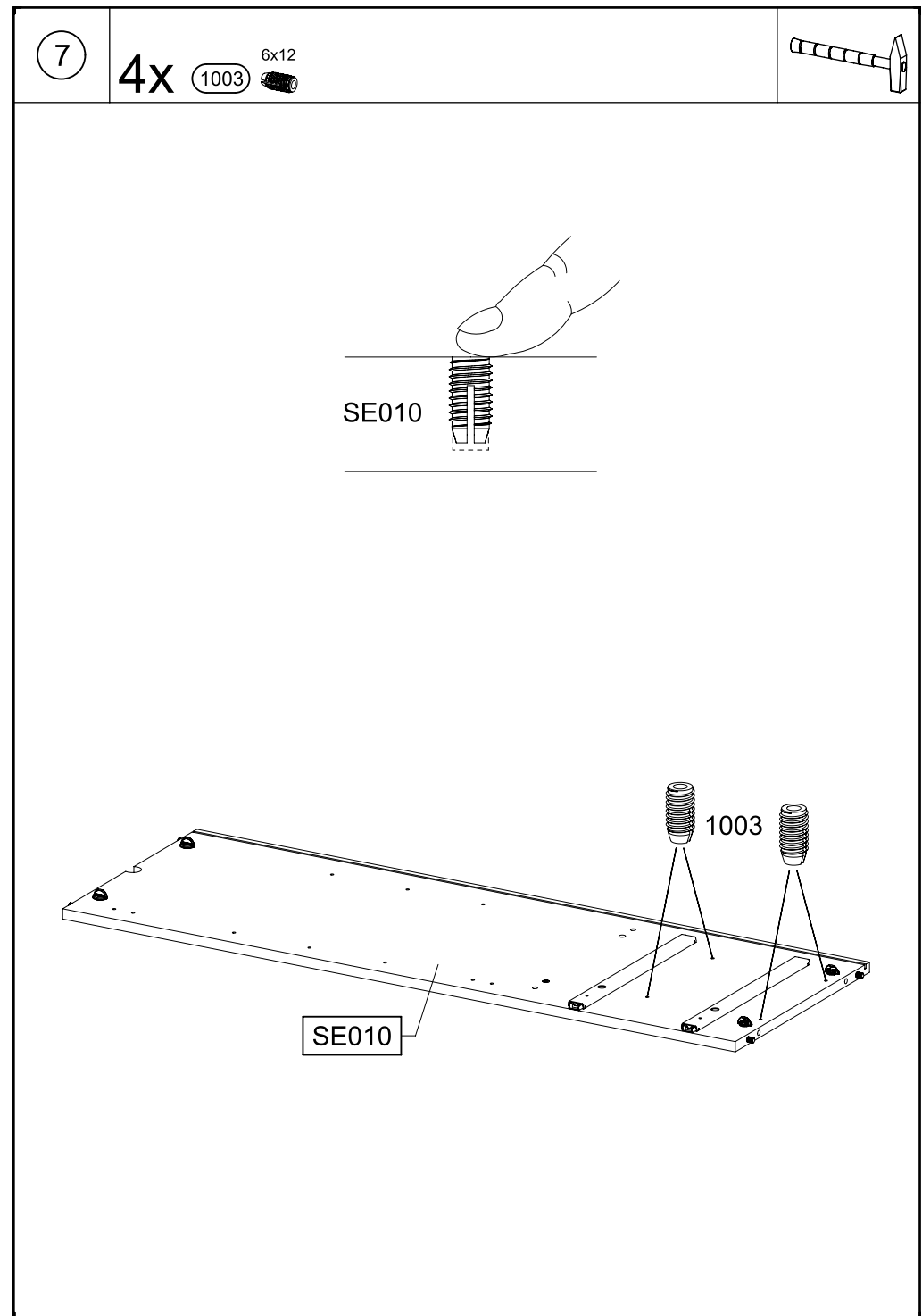
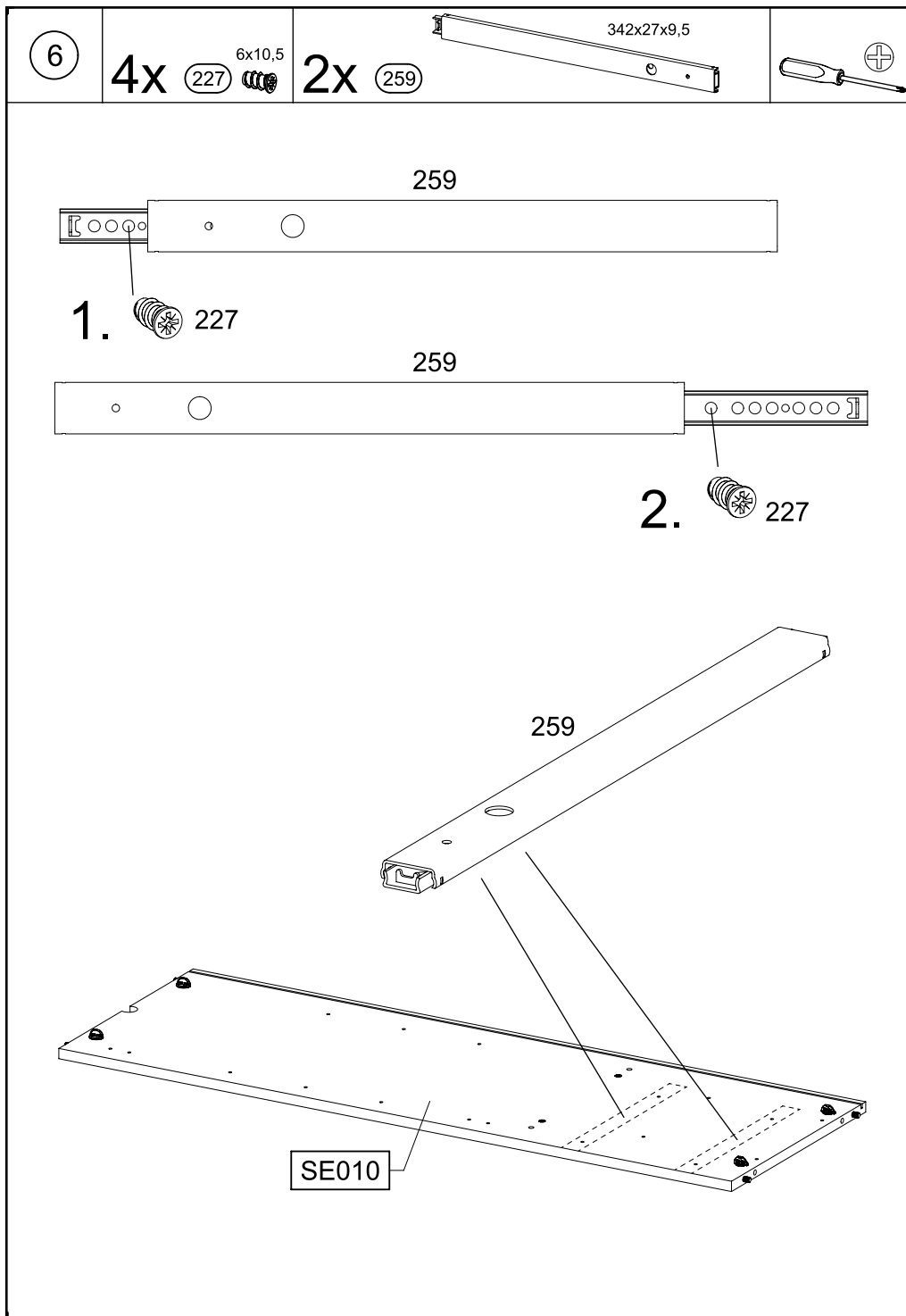


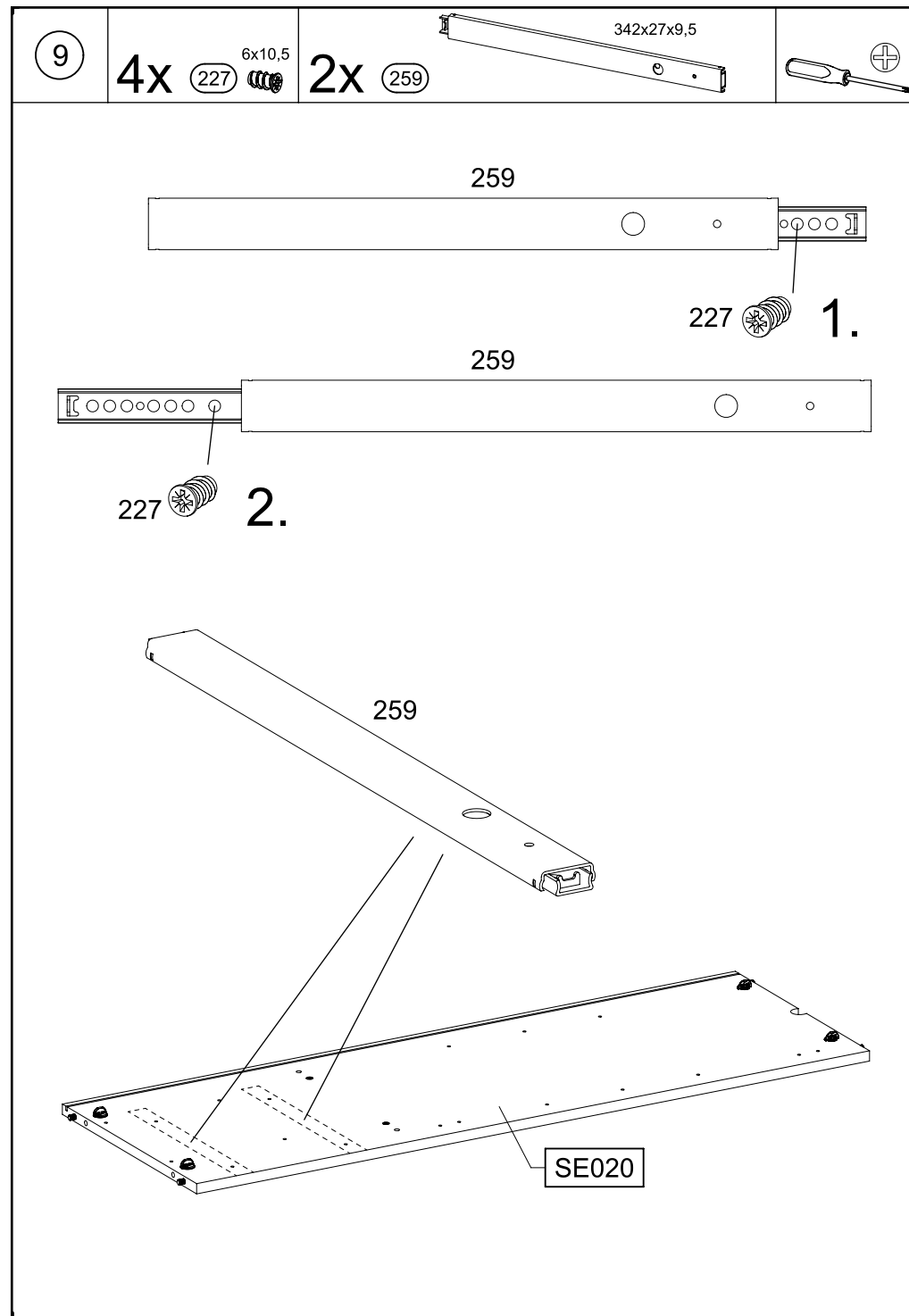
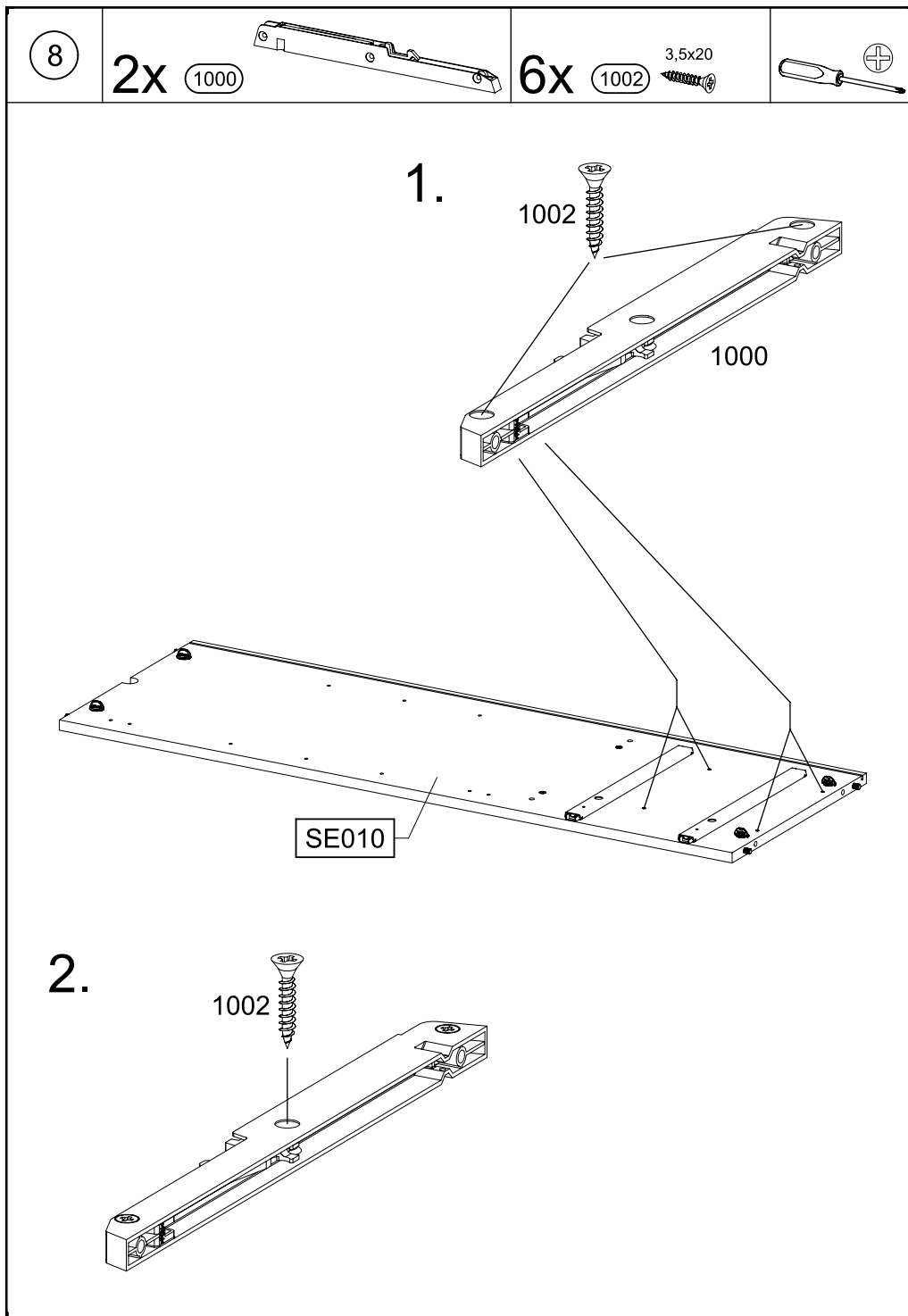










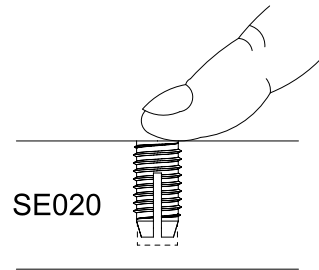
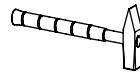


10

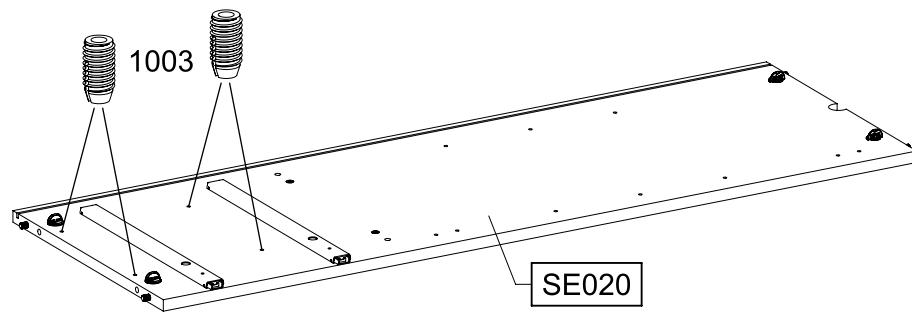
4x

1003

6x12



SE020



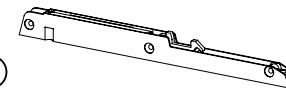
1003

SE020

11

2x

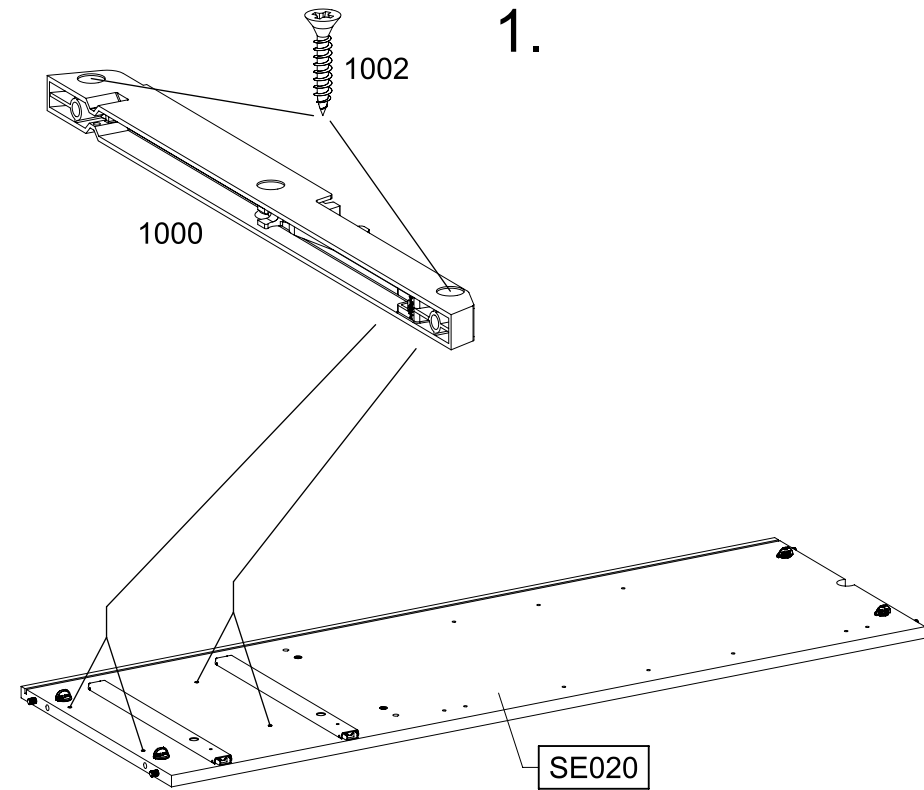
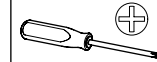
1000



6x

1002

3,5x20

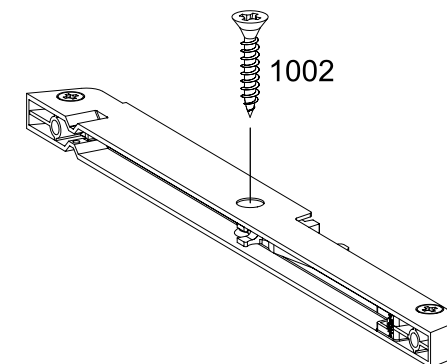


1.

1002

1000

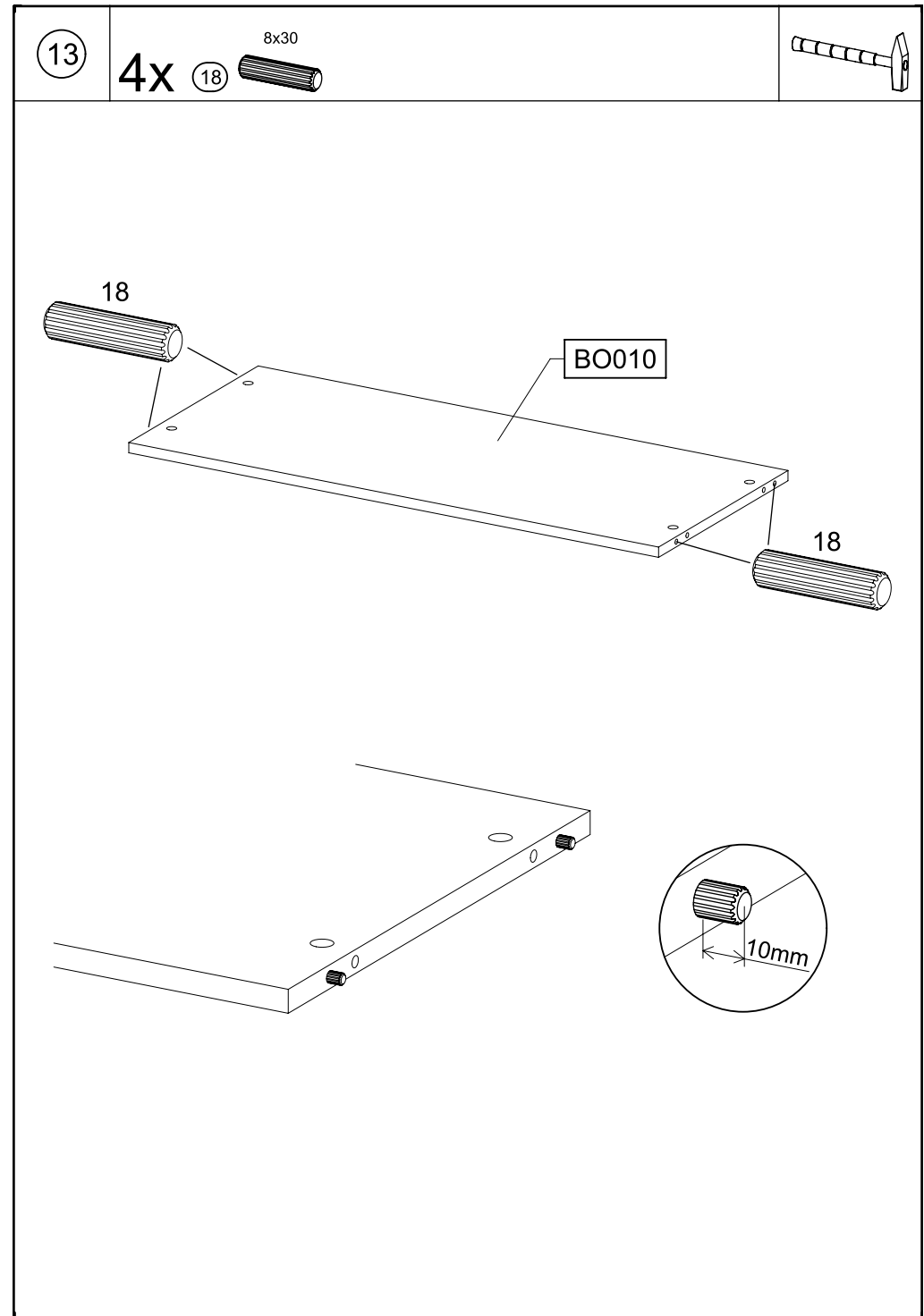
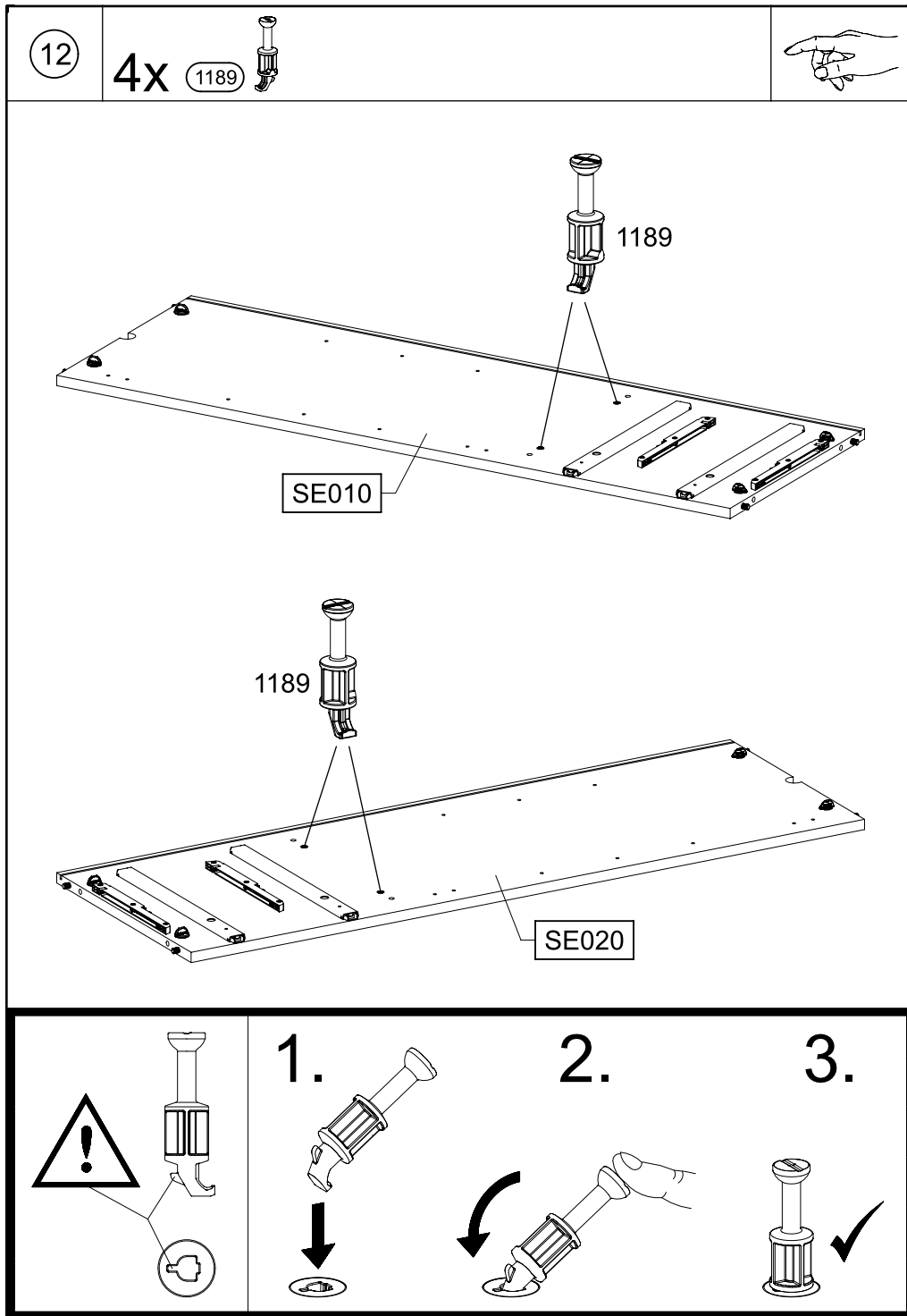
SE020

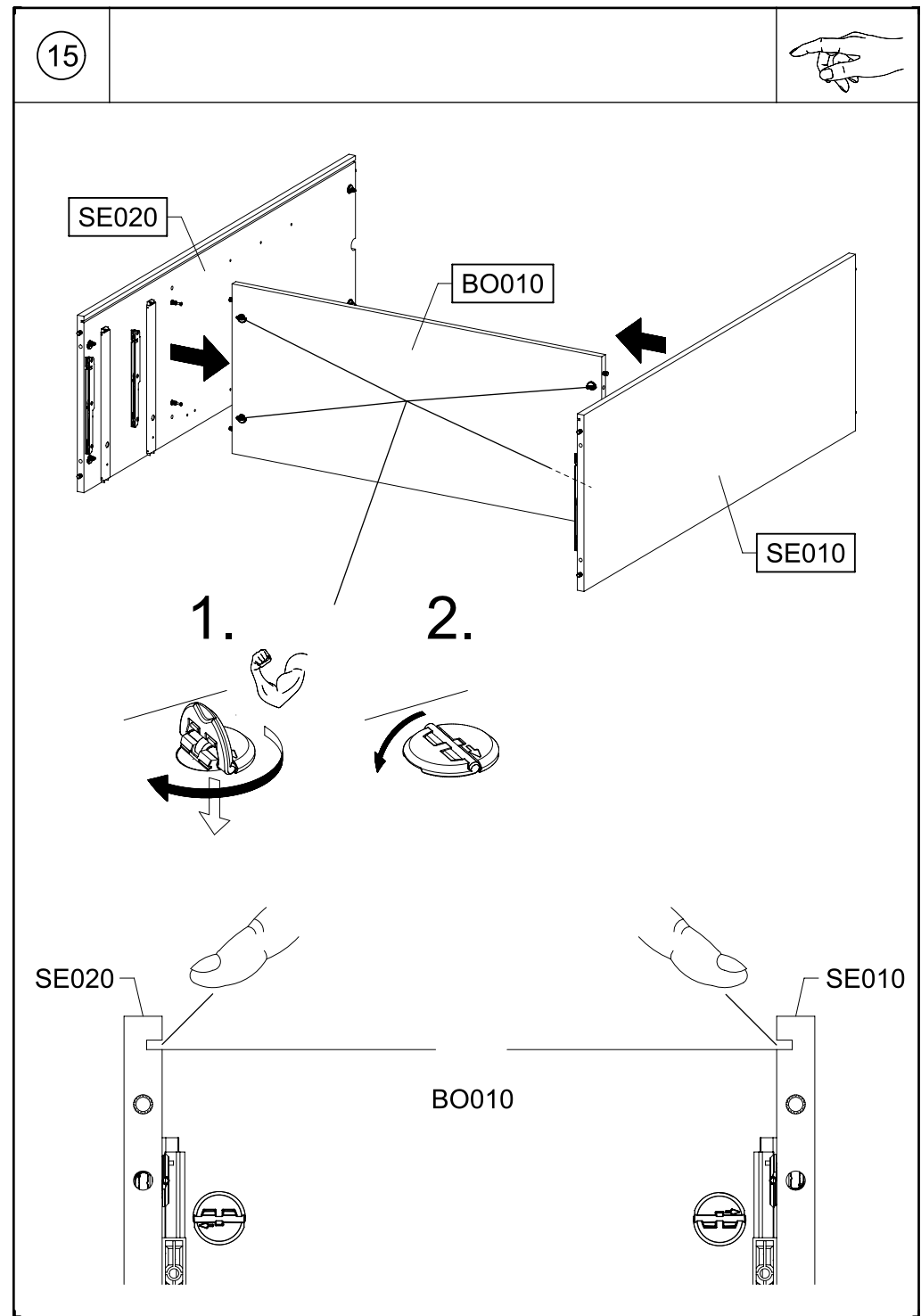
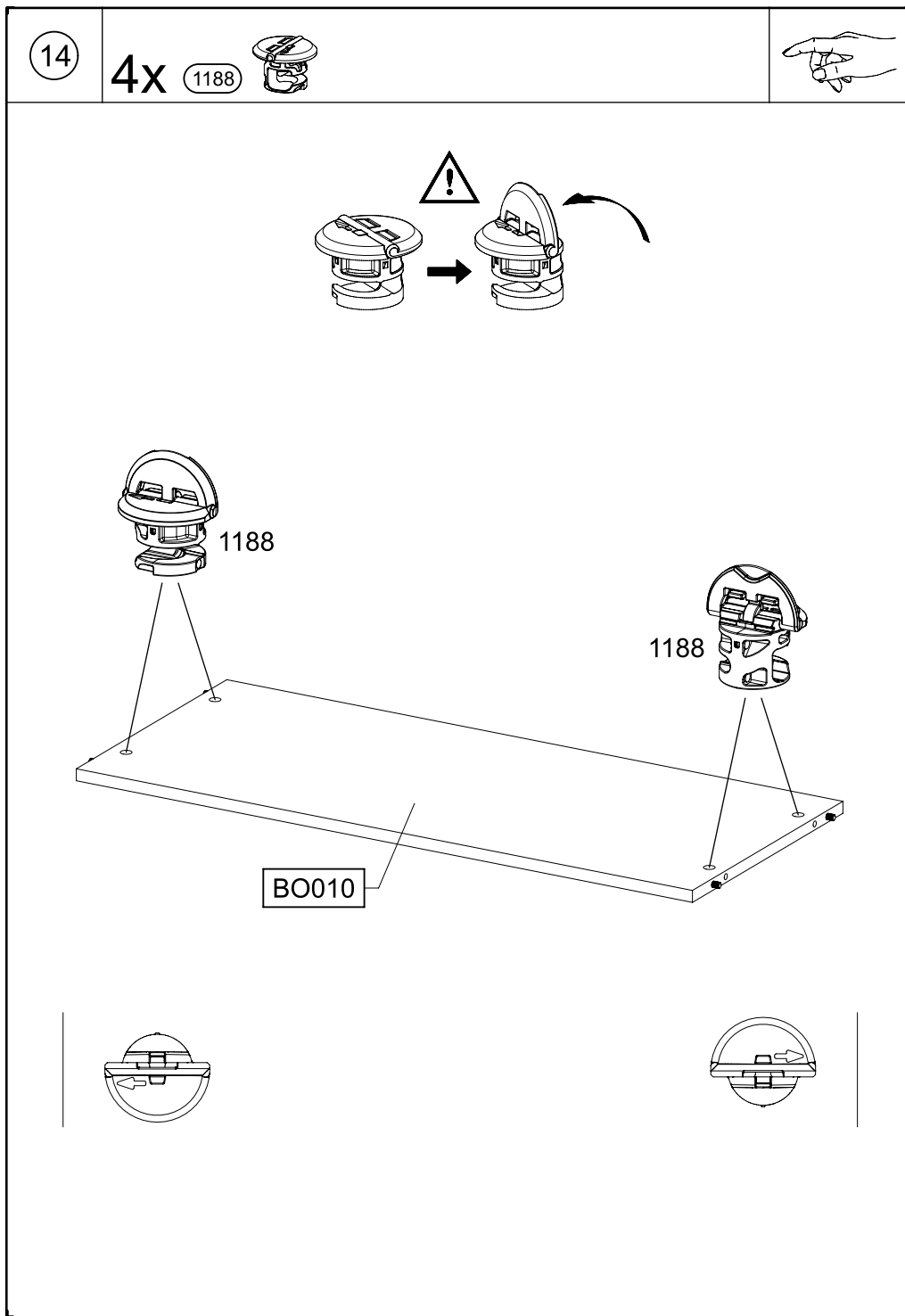


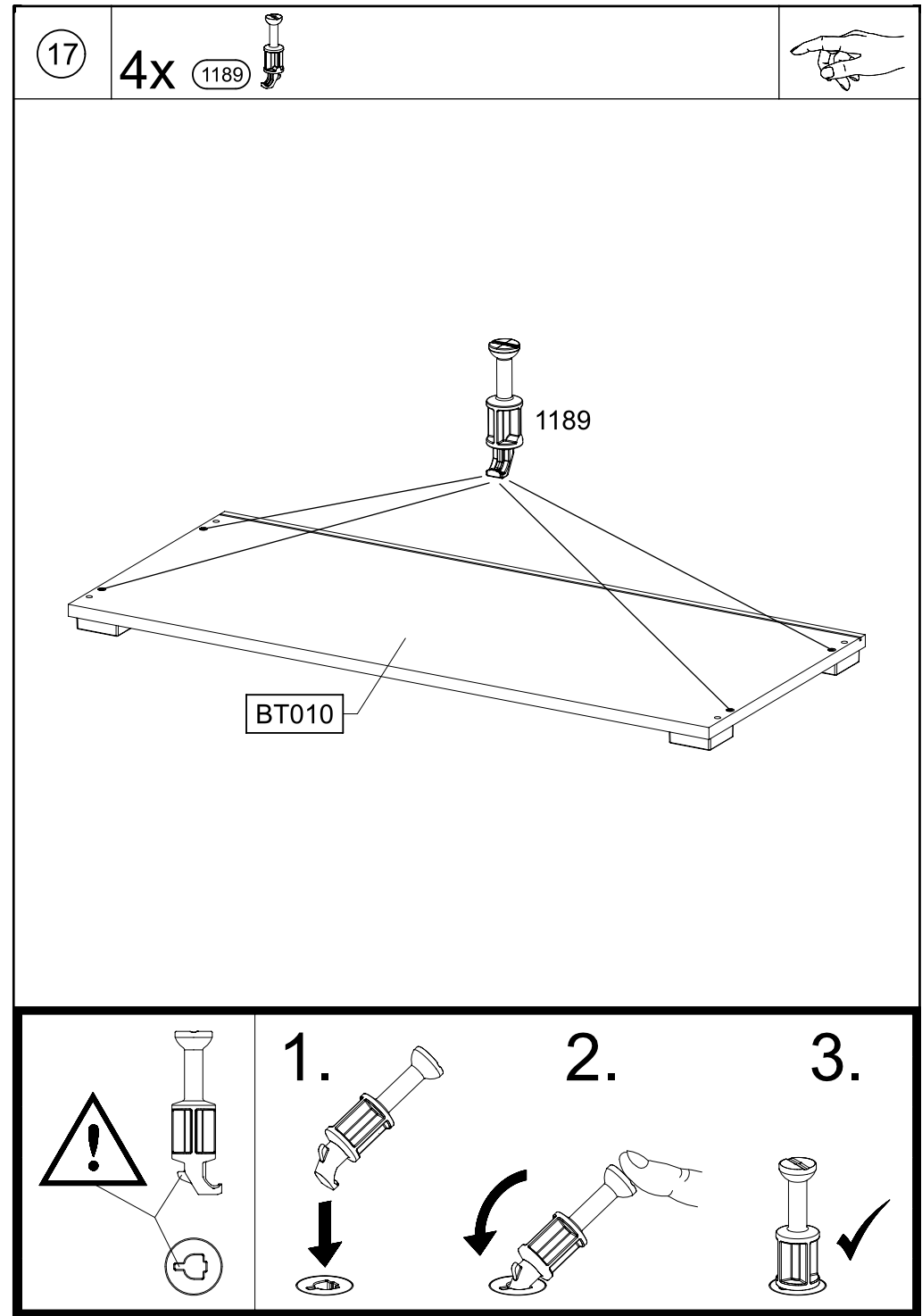
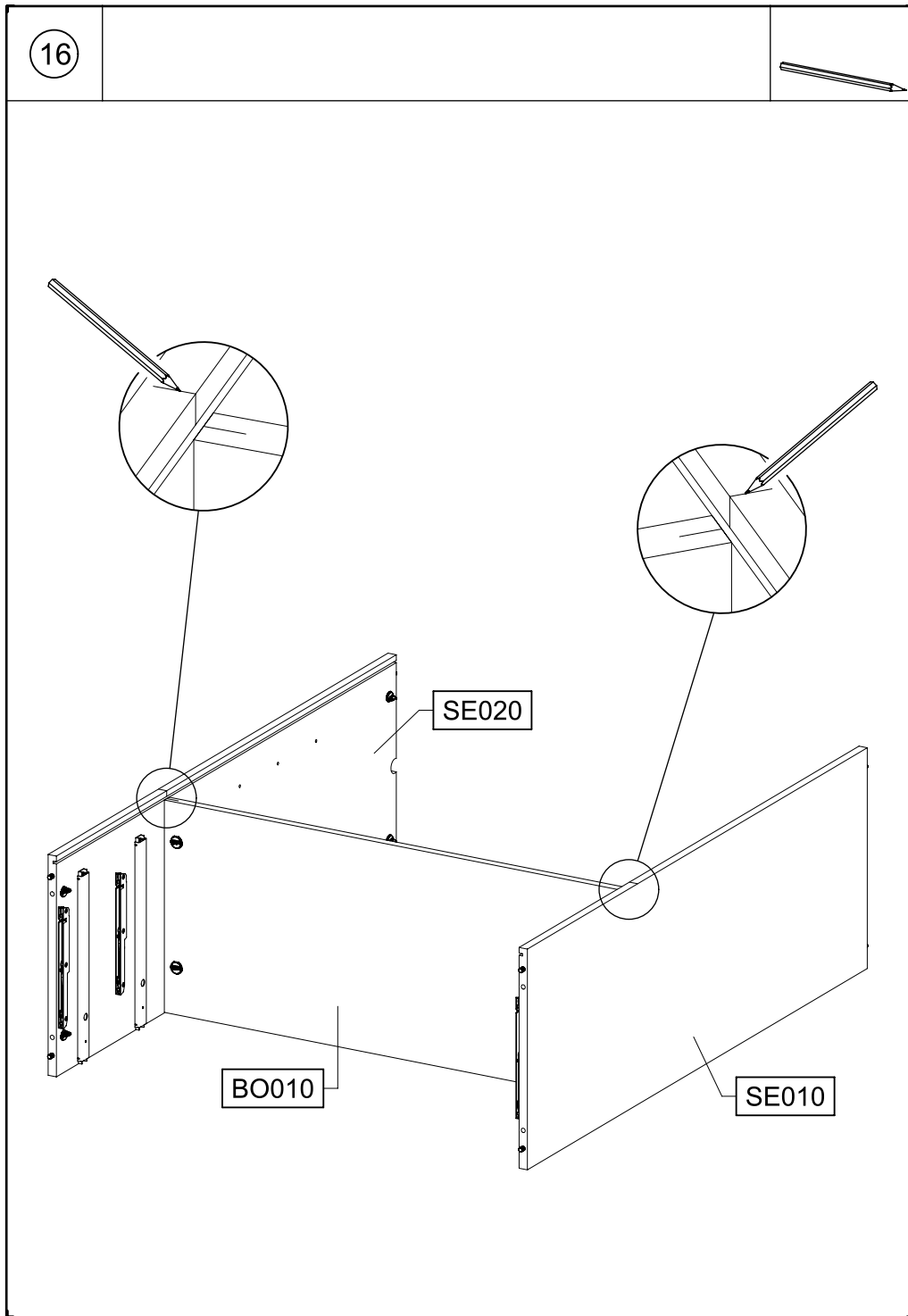
2.

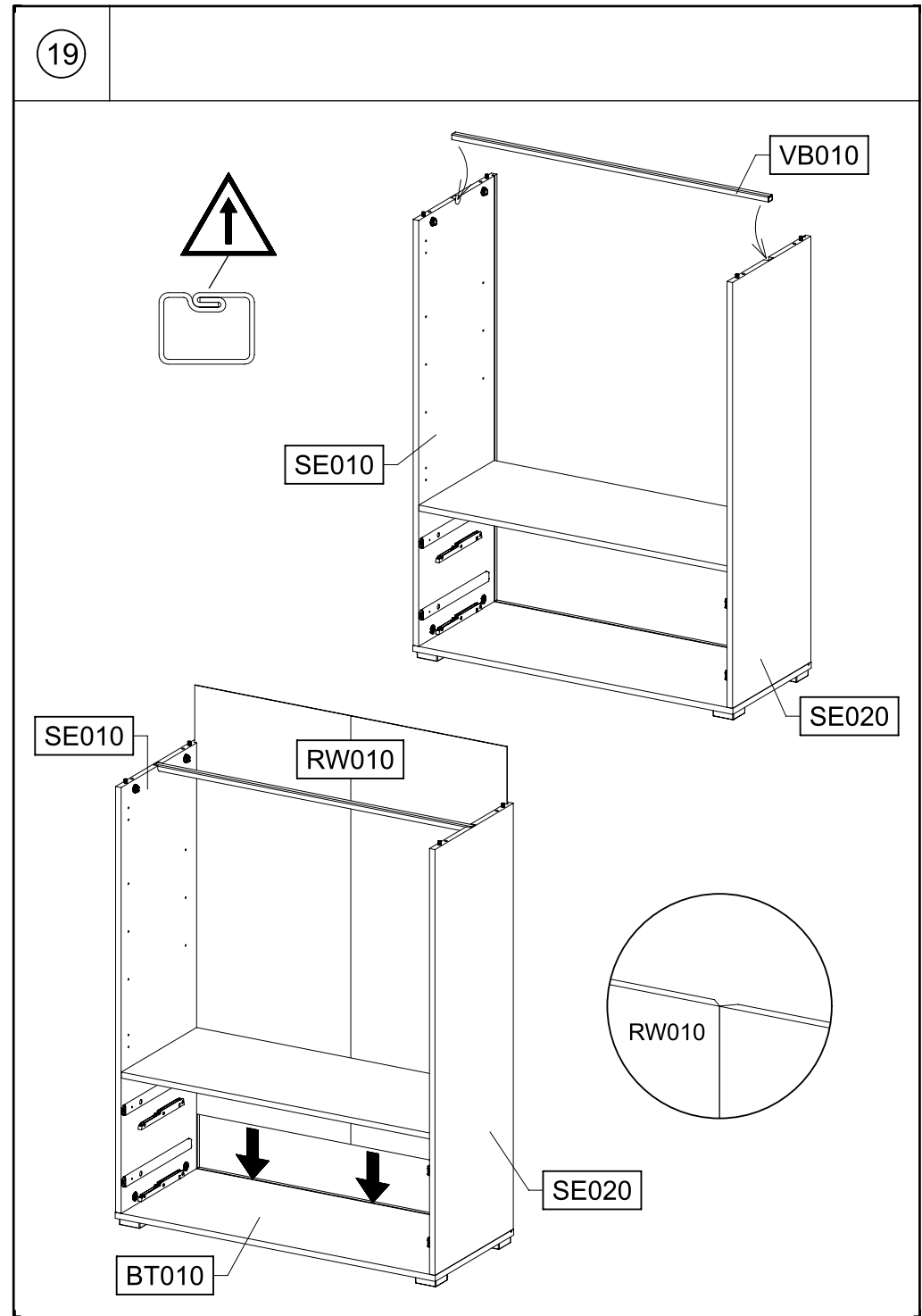
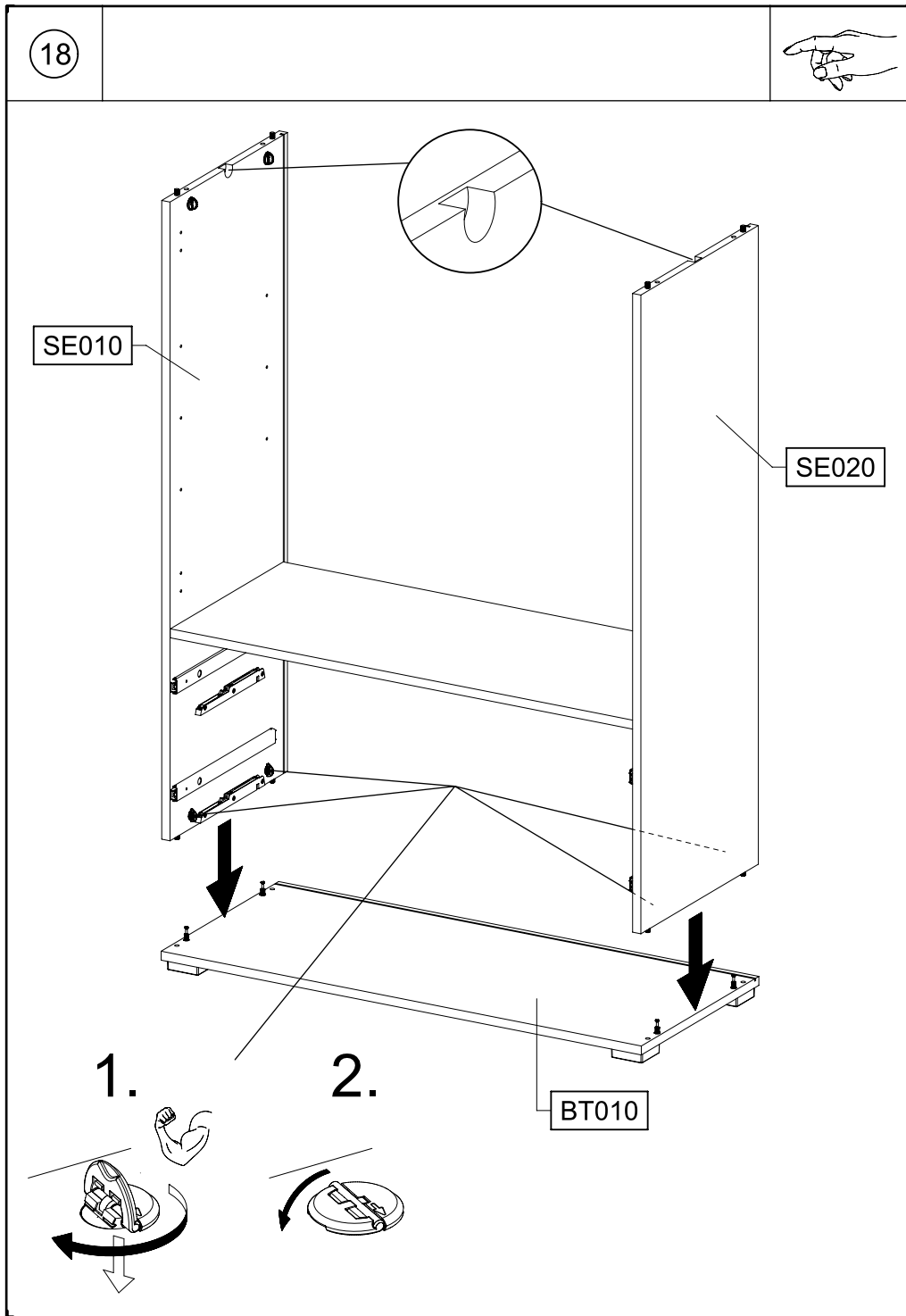
1002





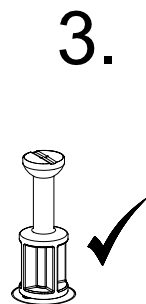
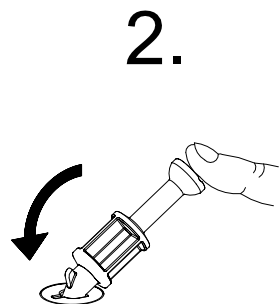
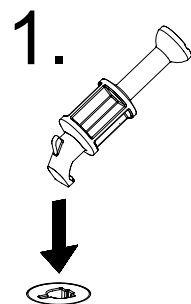
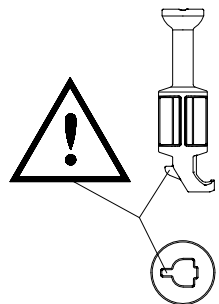
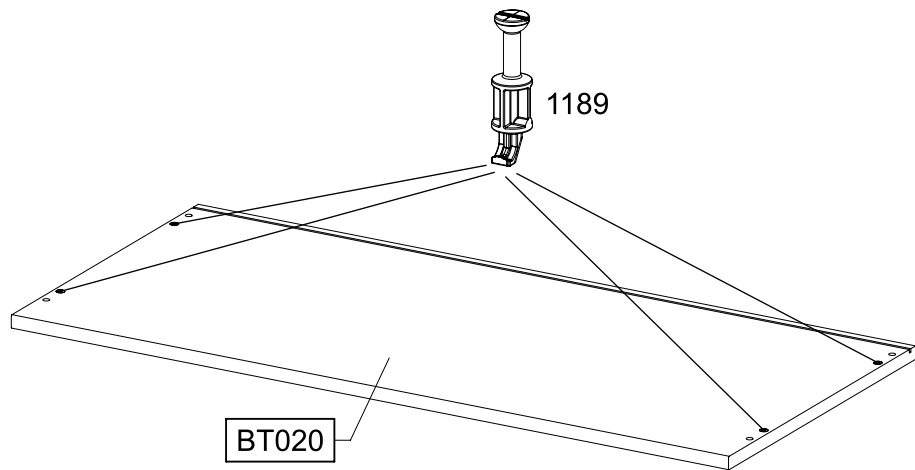




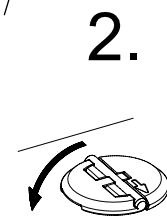
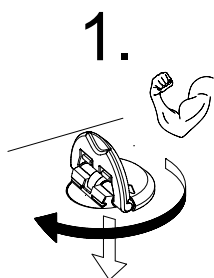


20

4x 1189



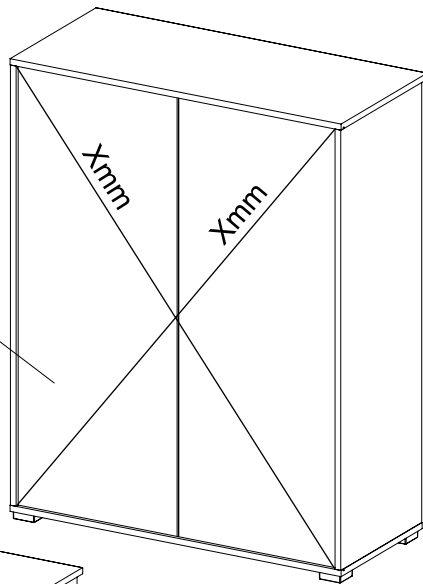
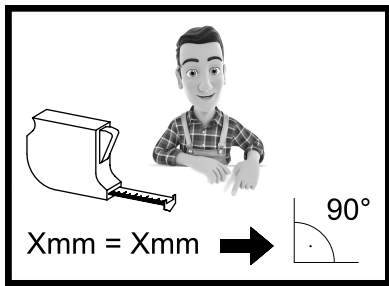
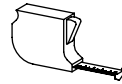
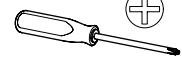
21



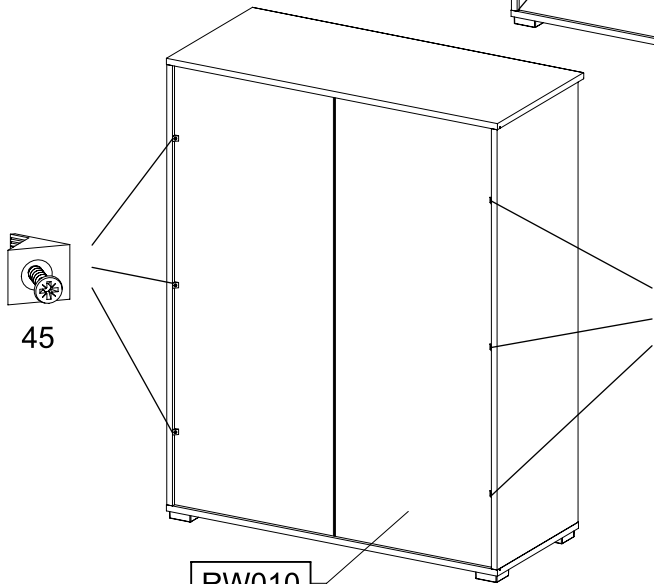
22

6x

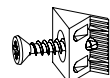
45



RW010



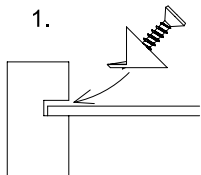
45



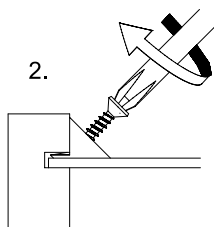
45

RW010

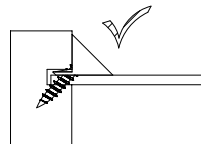
1.



2.



3.

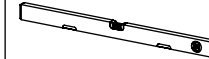


23

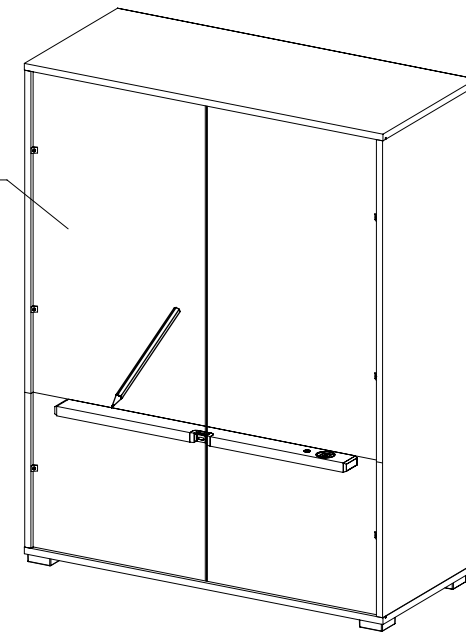
6x

215

3x20

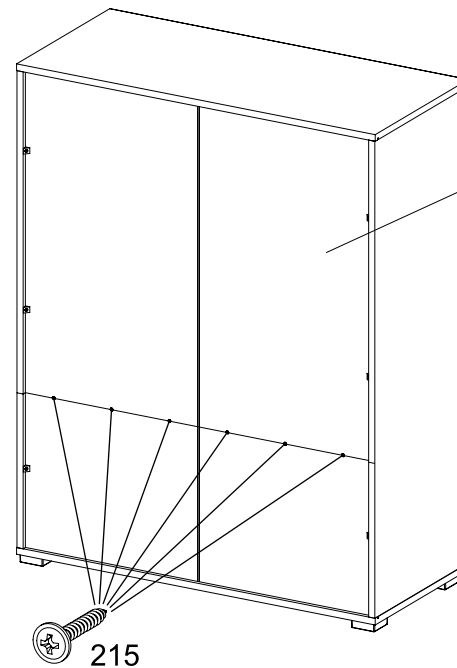


1.



RW010

2.



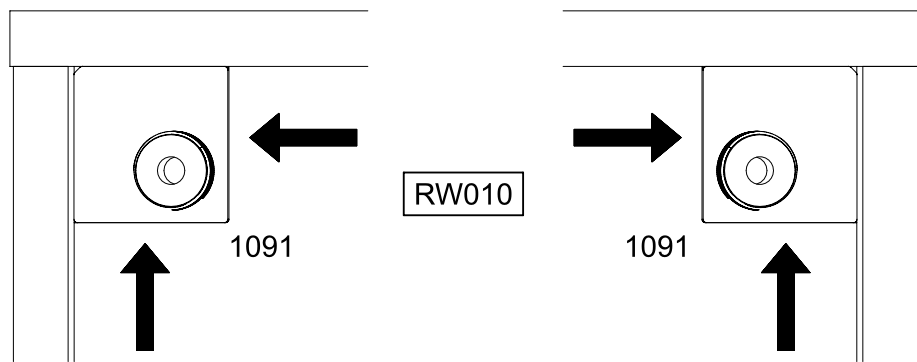
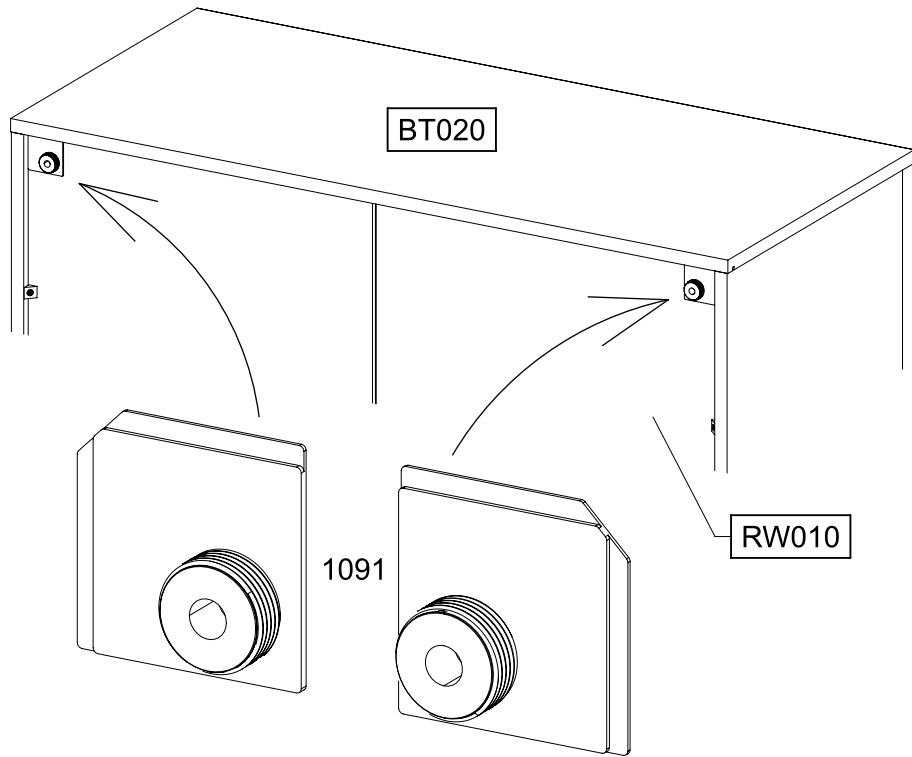
RW010



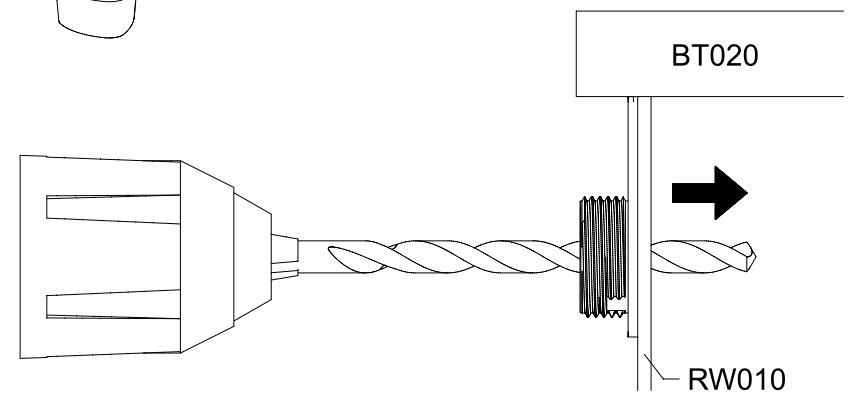
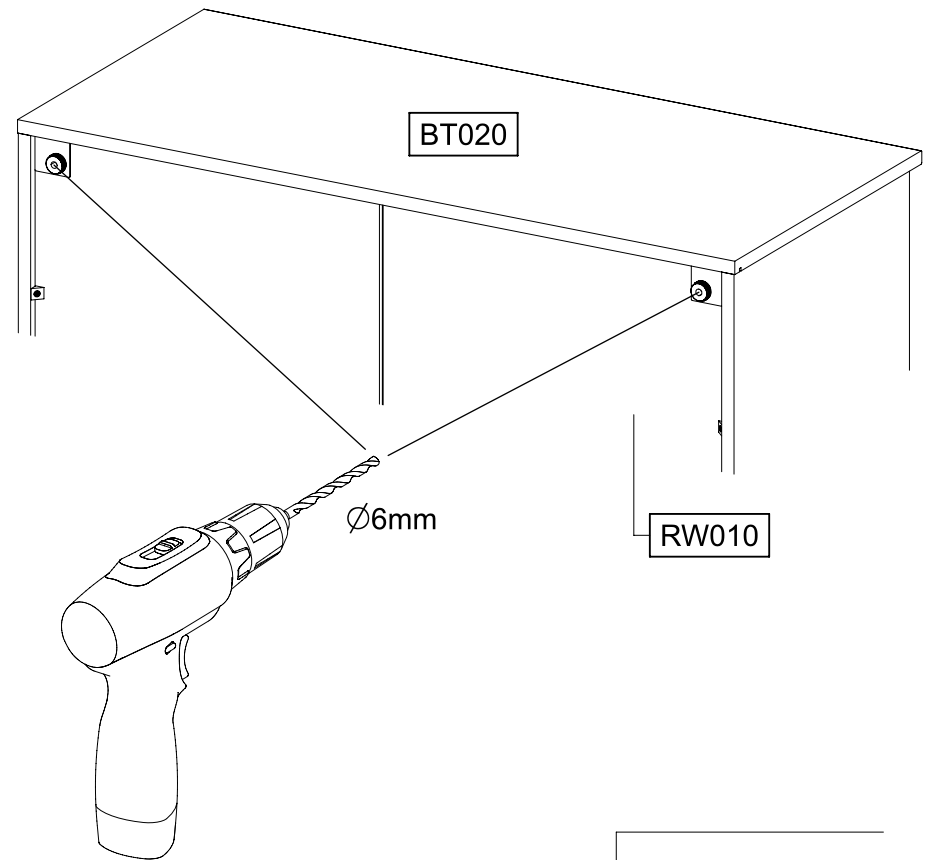
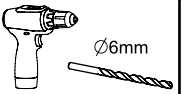
215

24

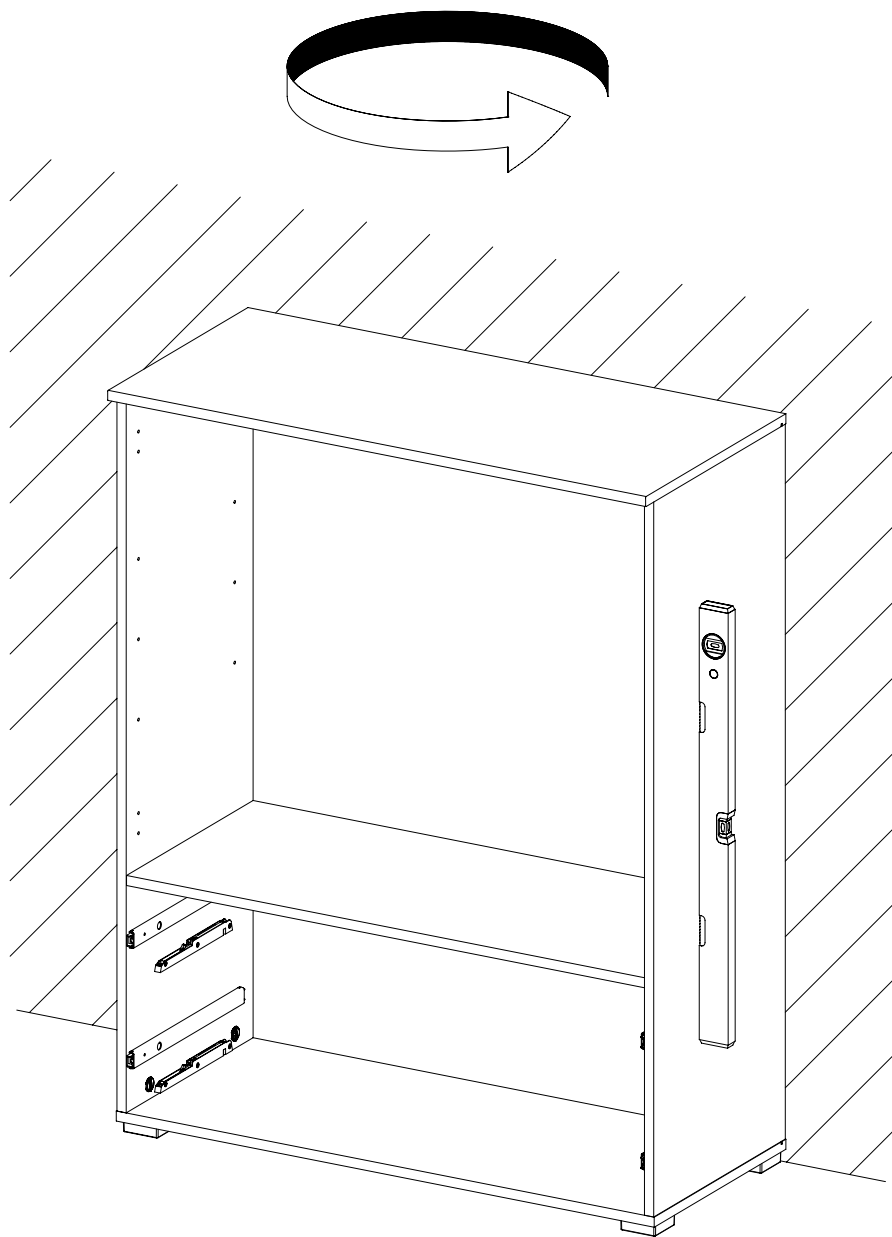
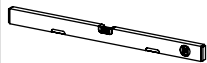
2x 1091



25



26



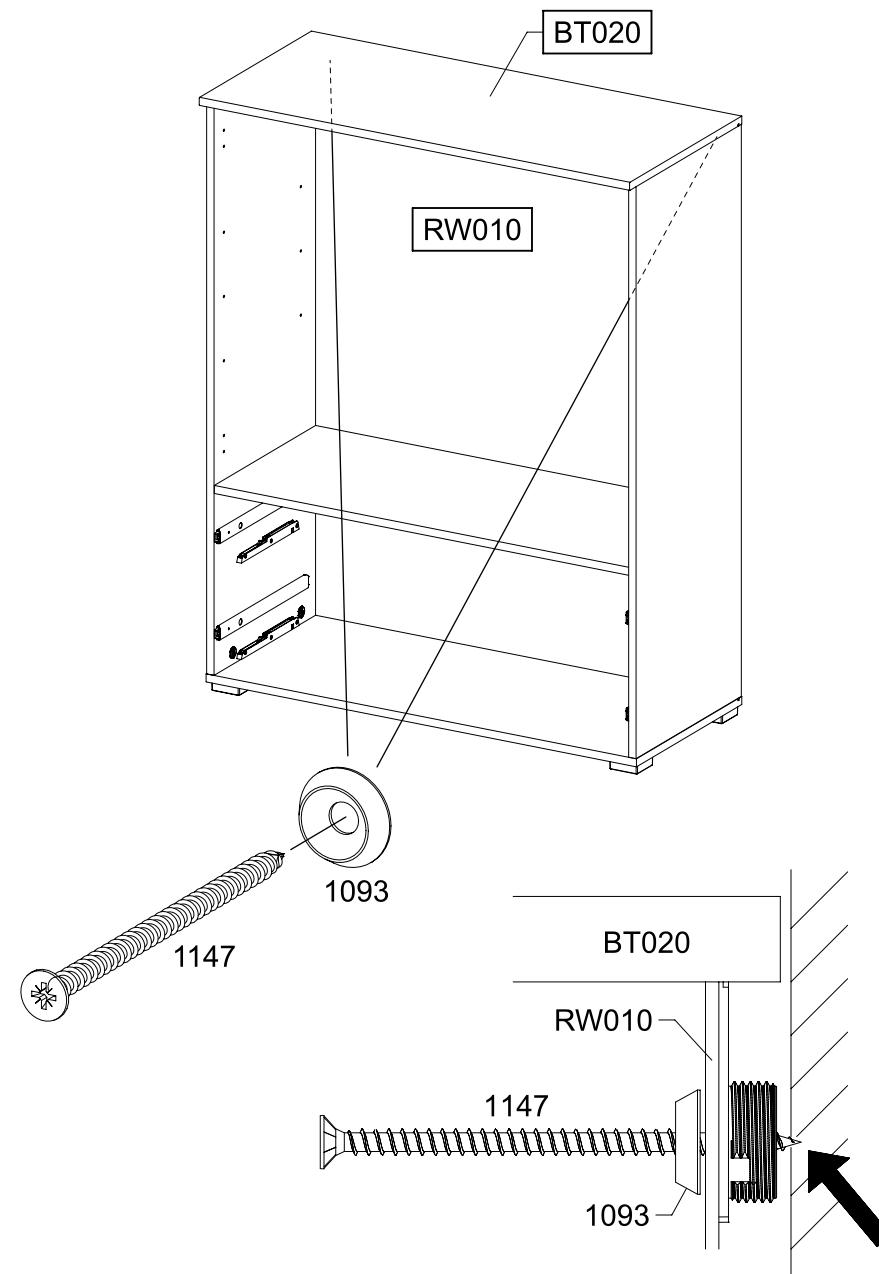
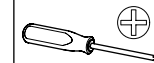
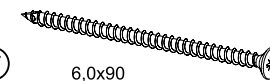
27

2x 1093



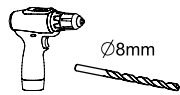
2x 1147

6,0x90

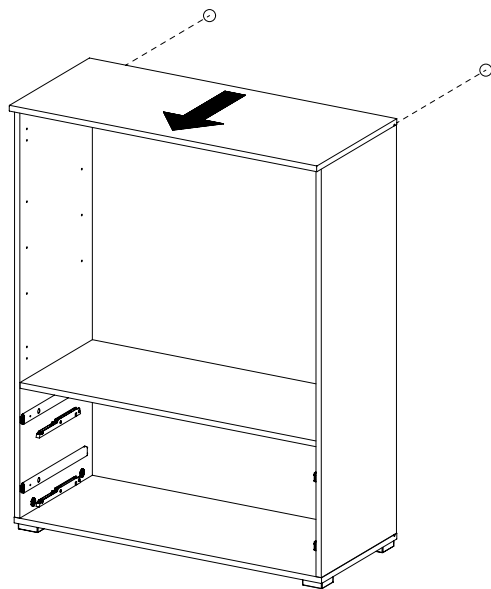




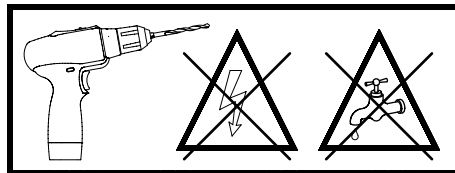
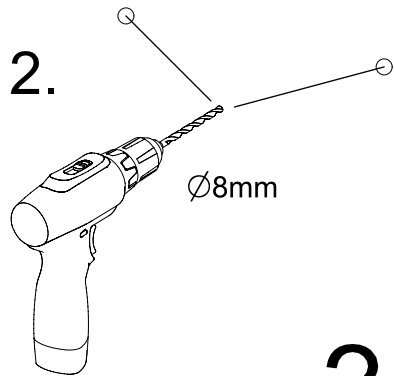
28



1.

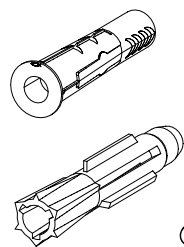
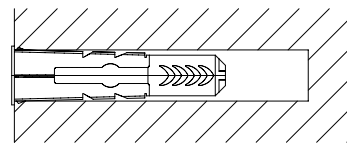


2.



?

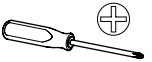
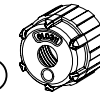
3.



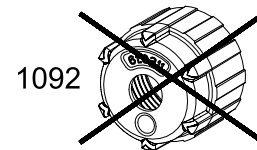
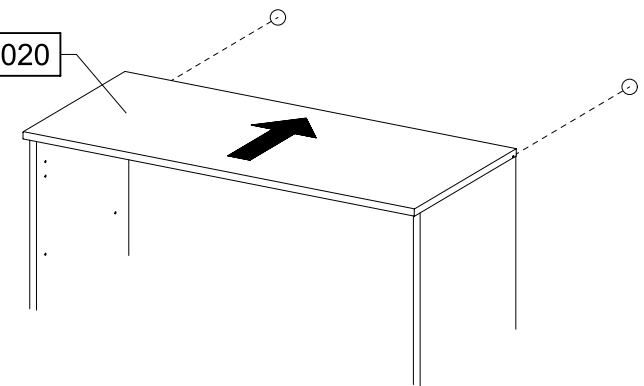
Ø8mm

29

2x 1092



BT020



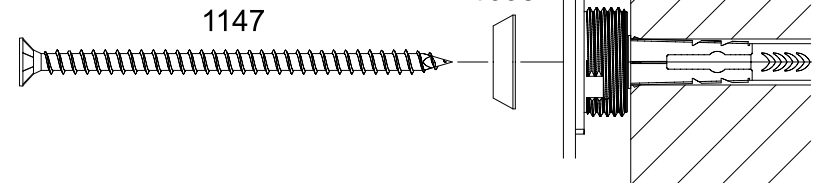
1092



BT020

1093

1147



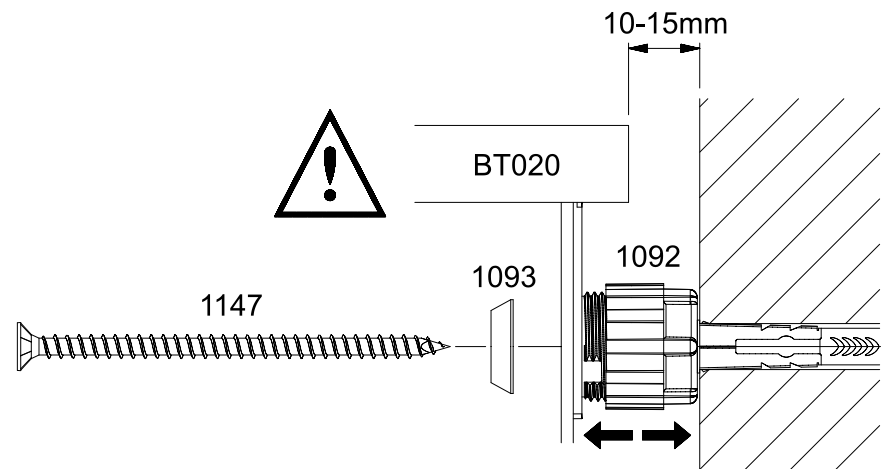
10-15mm

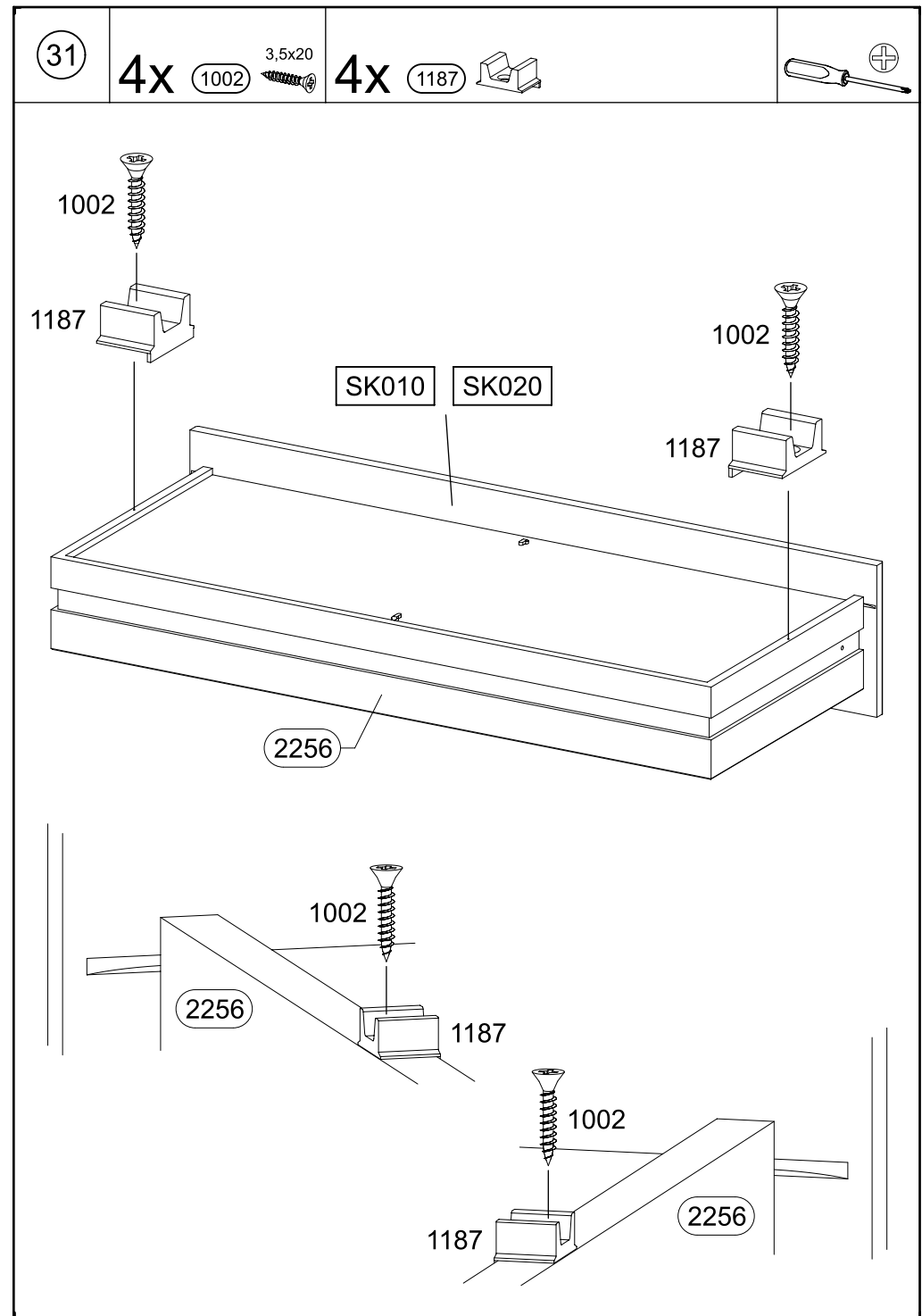
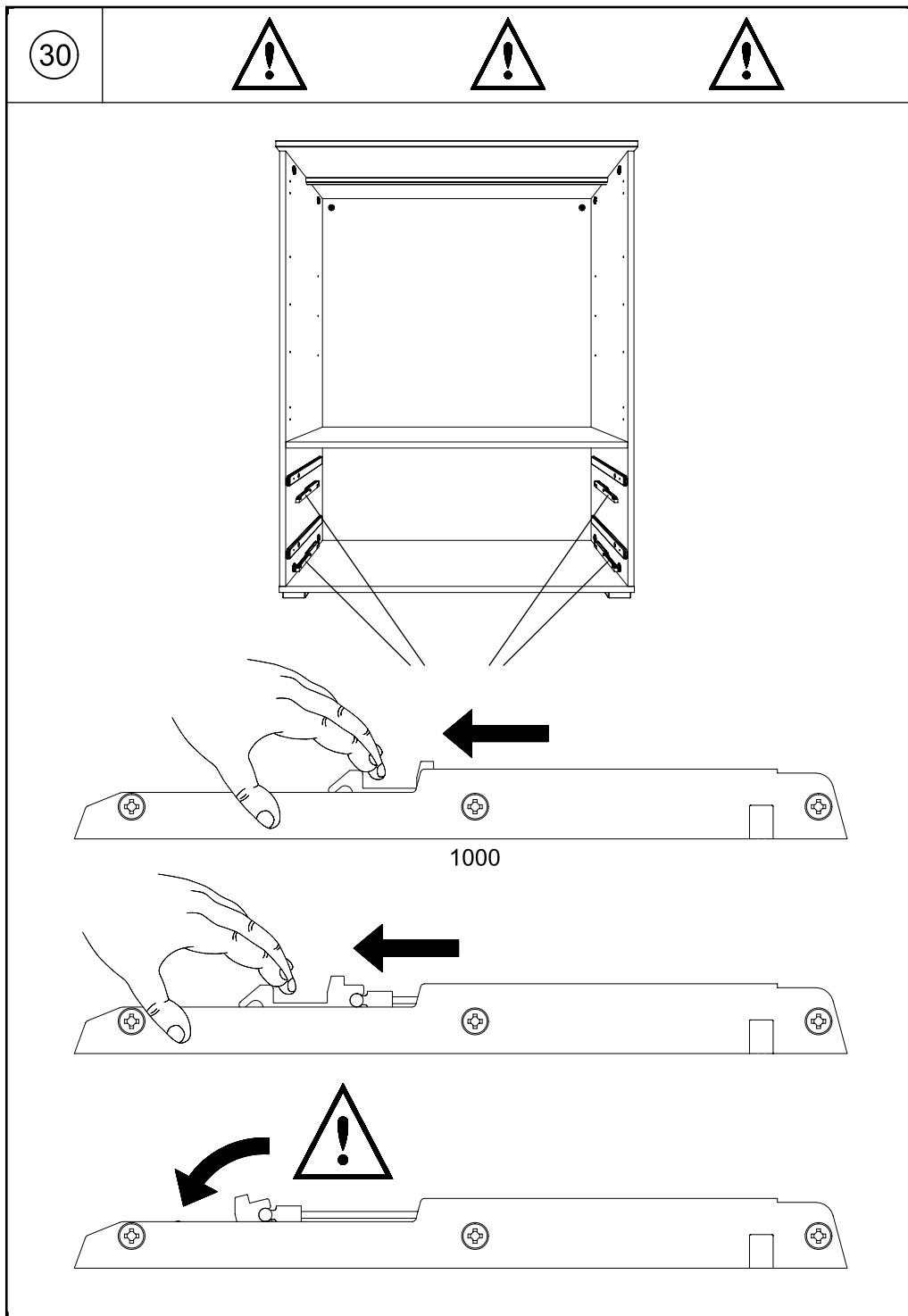
BT020

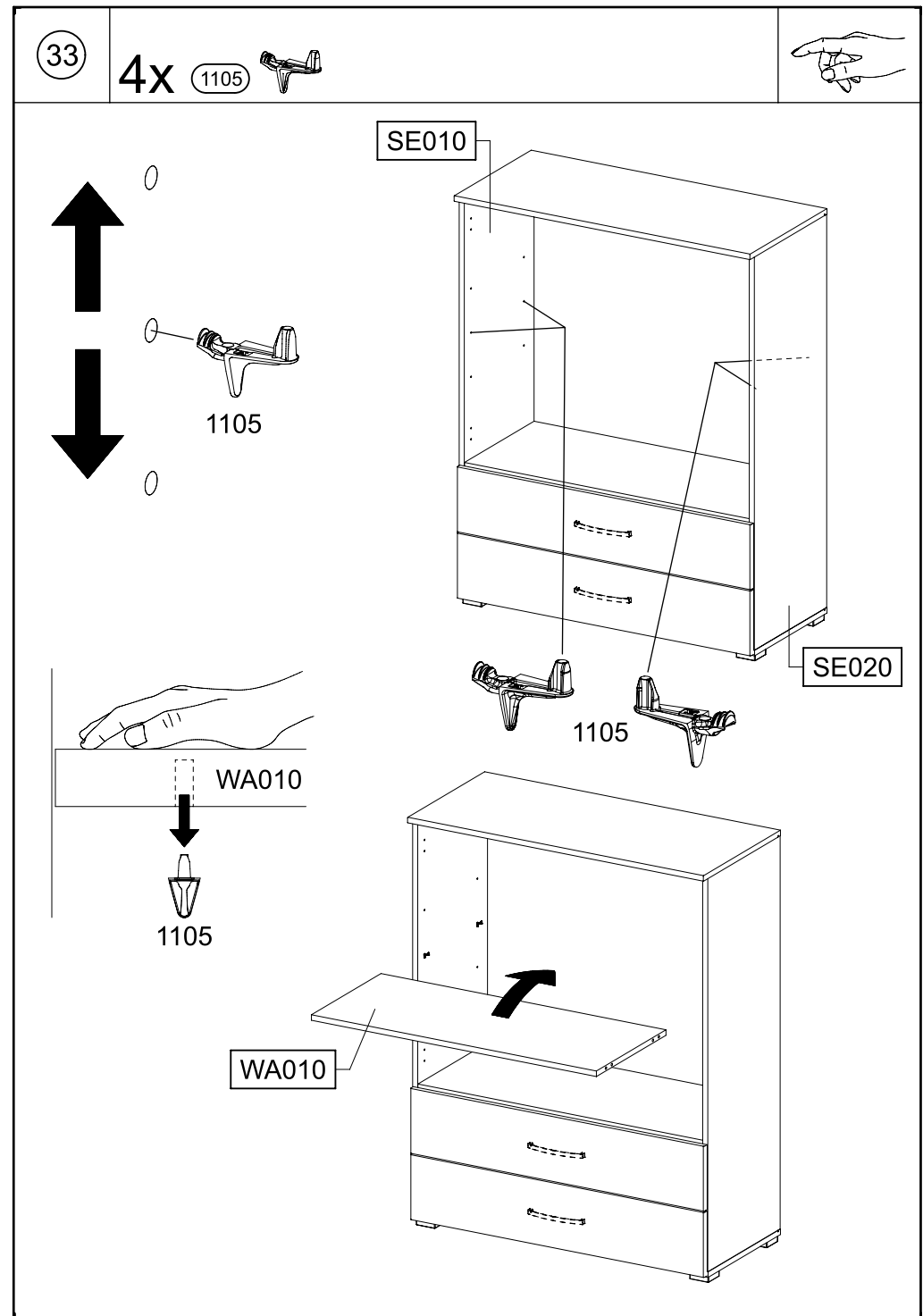
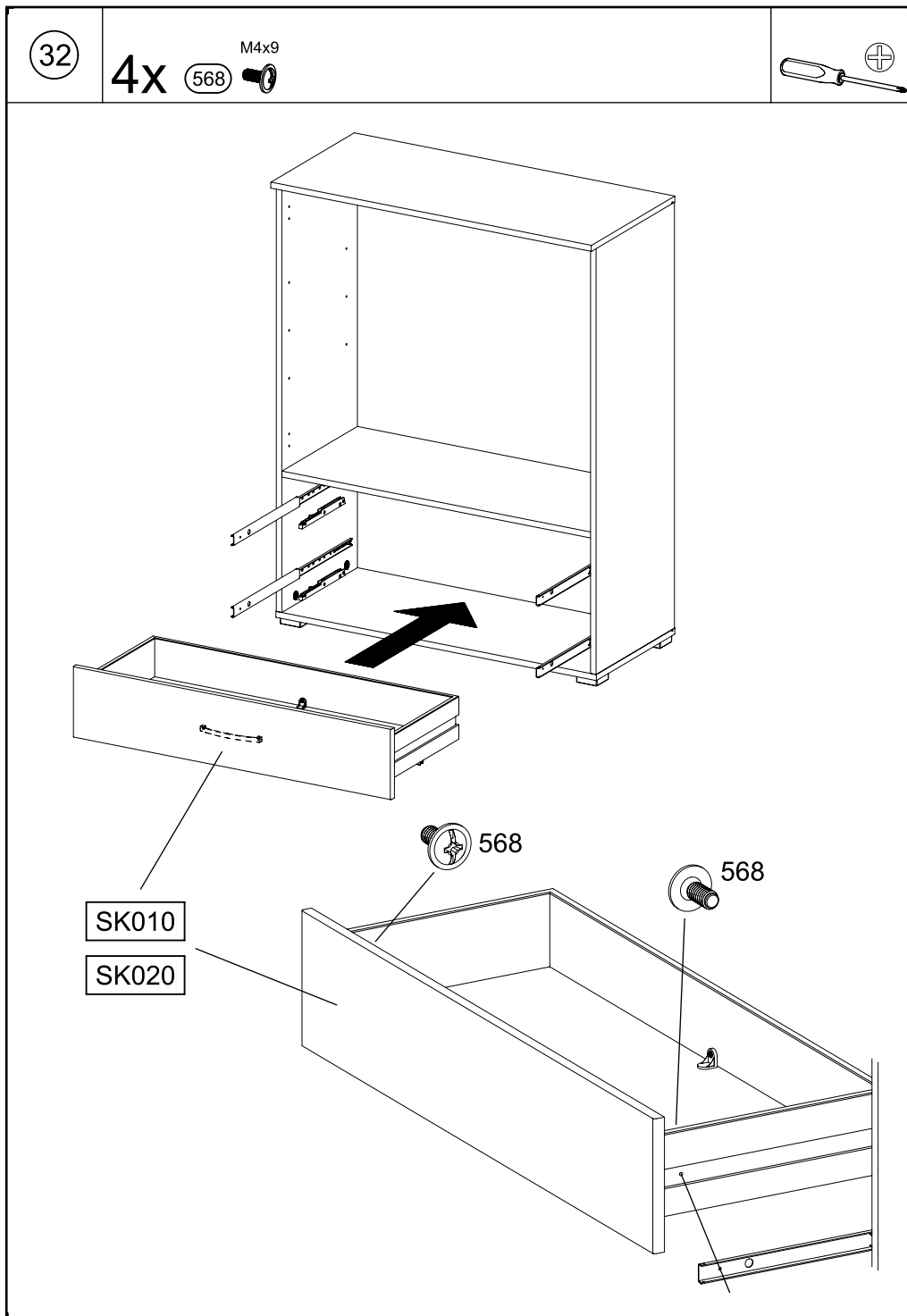
1093

1092

1147

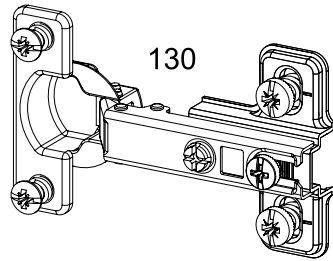
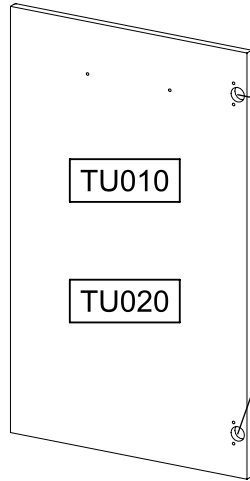
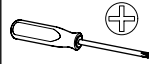
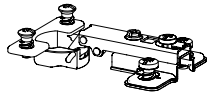




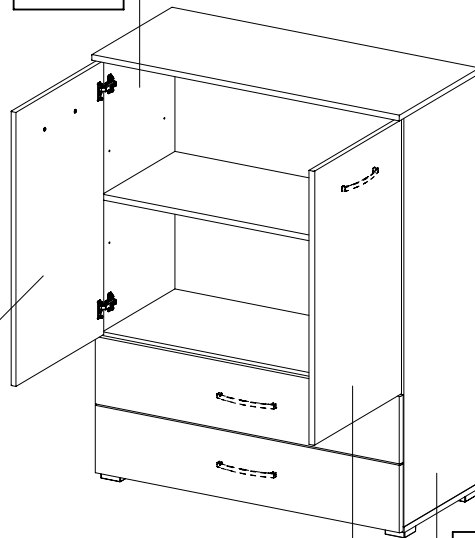


34

4x 130



SE010

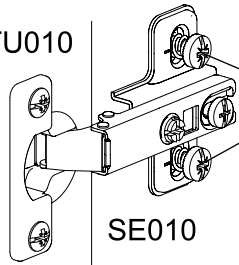


TU010

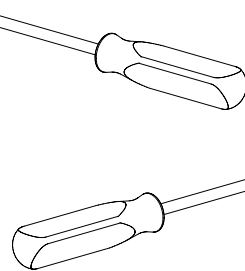
TU020

SE020

TU010



SE010



SE020

TU020

35

