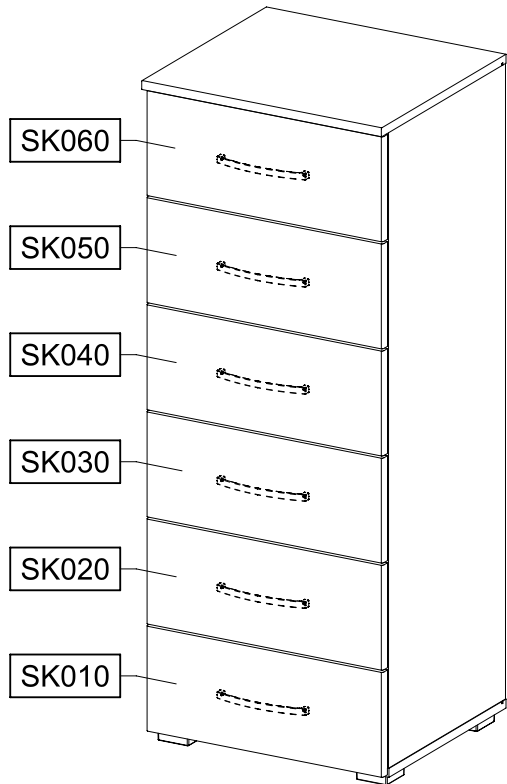
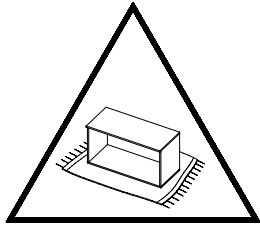
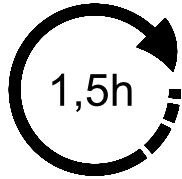
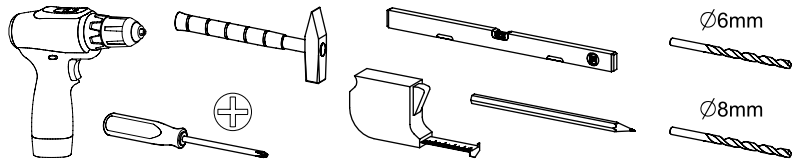


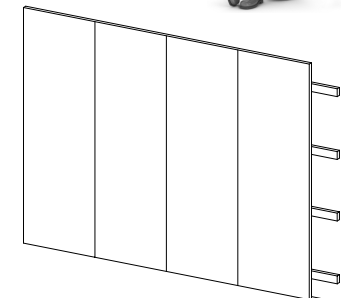
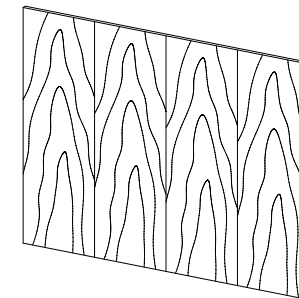
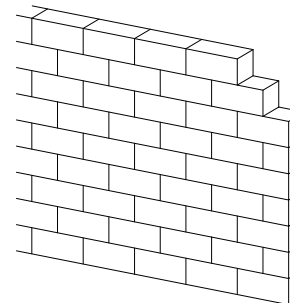
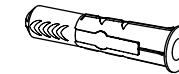
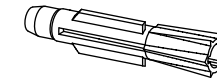
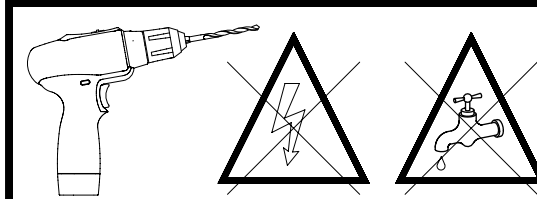
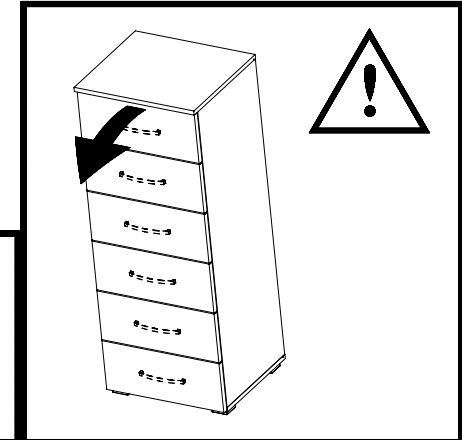
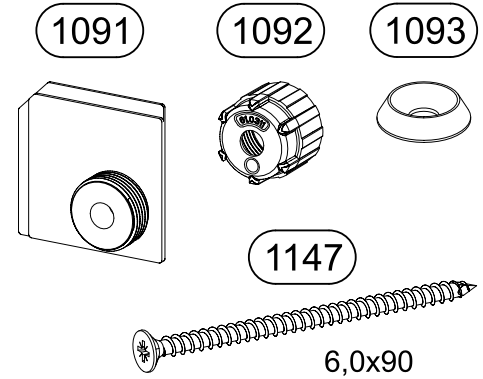
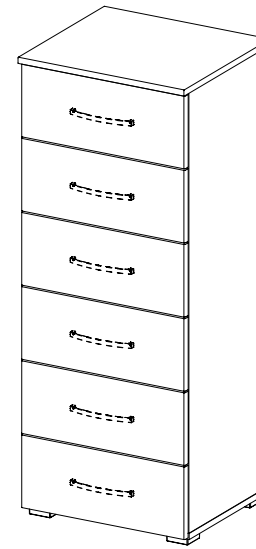
1.

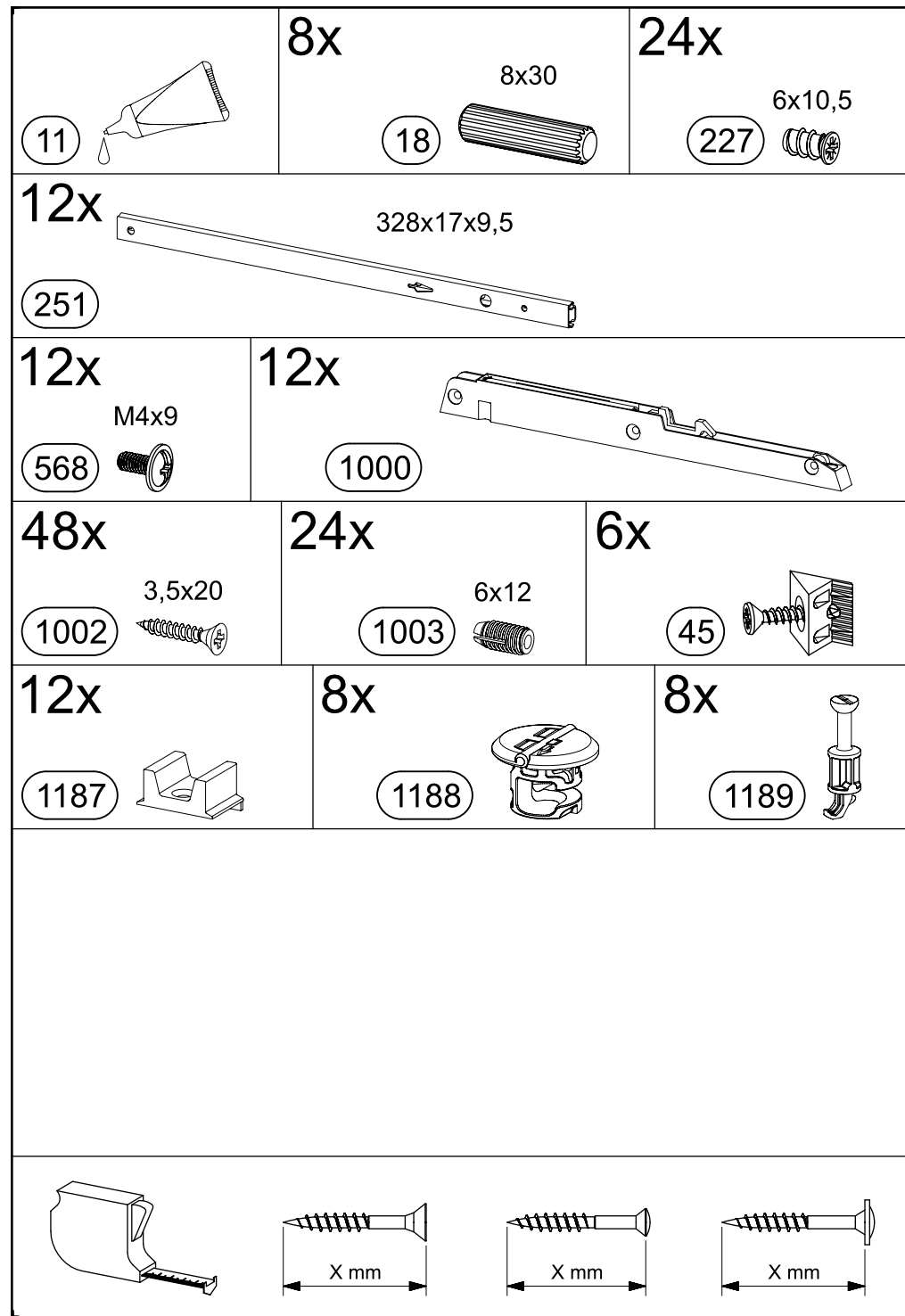
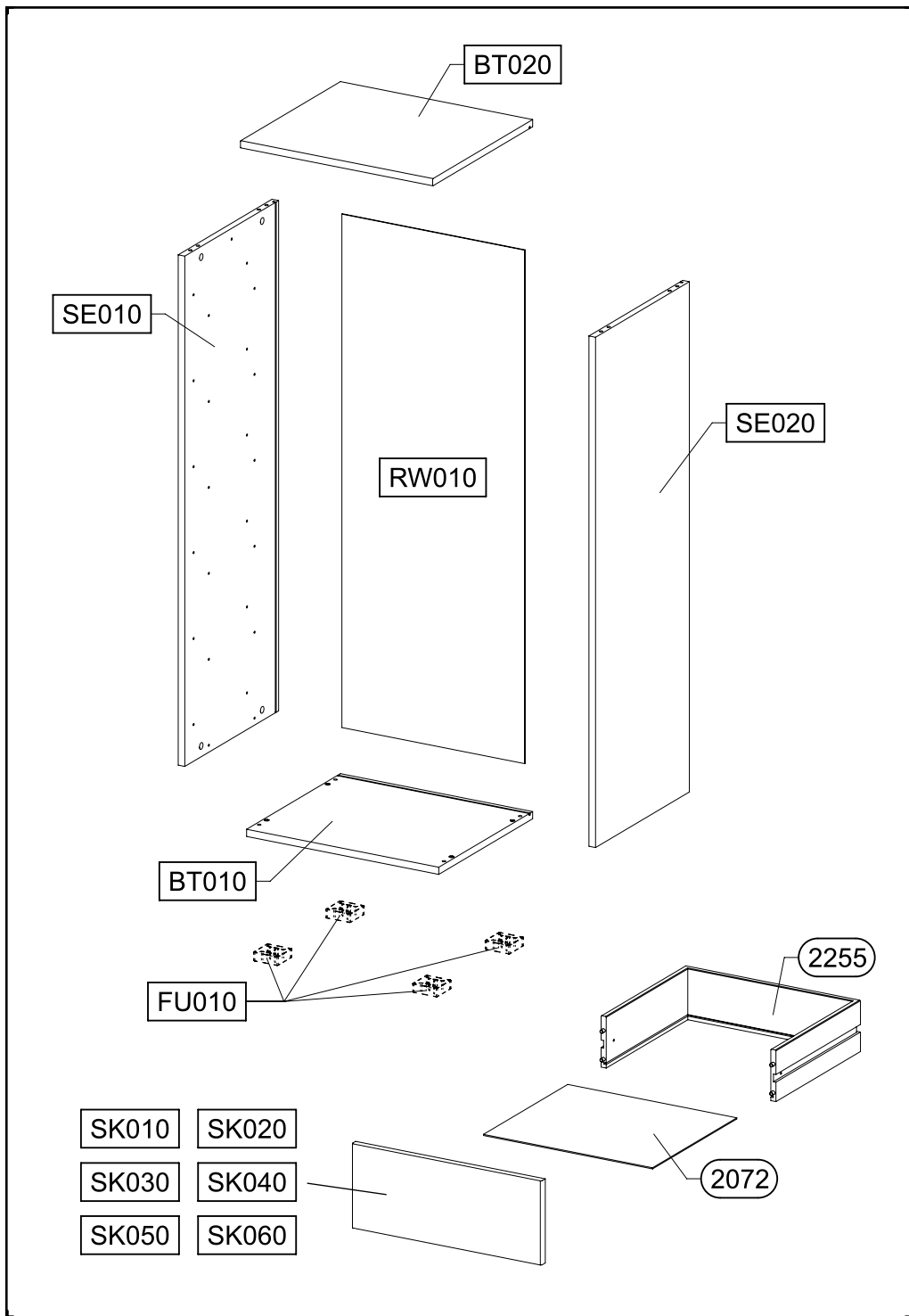
M2616_02

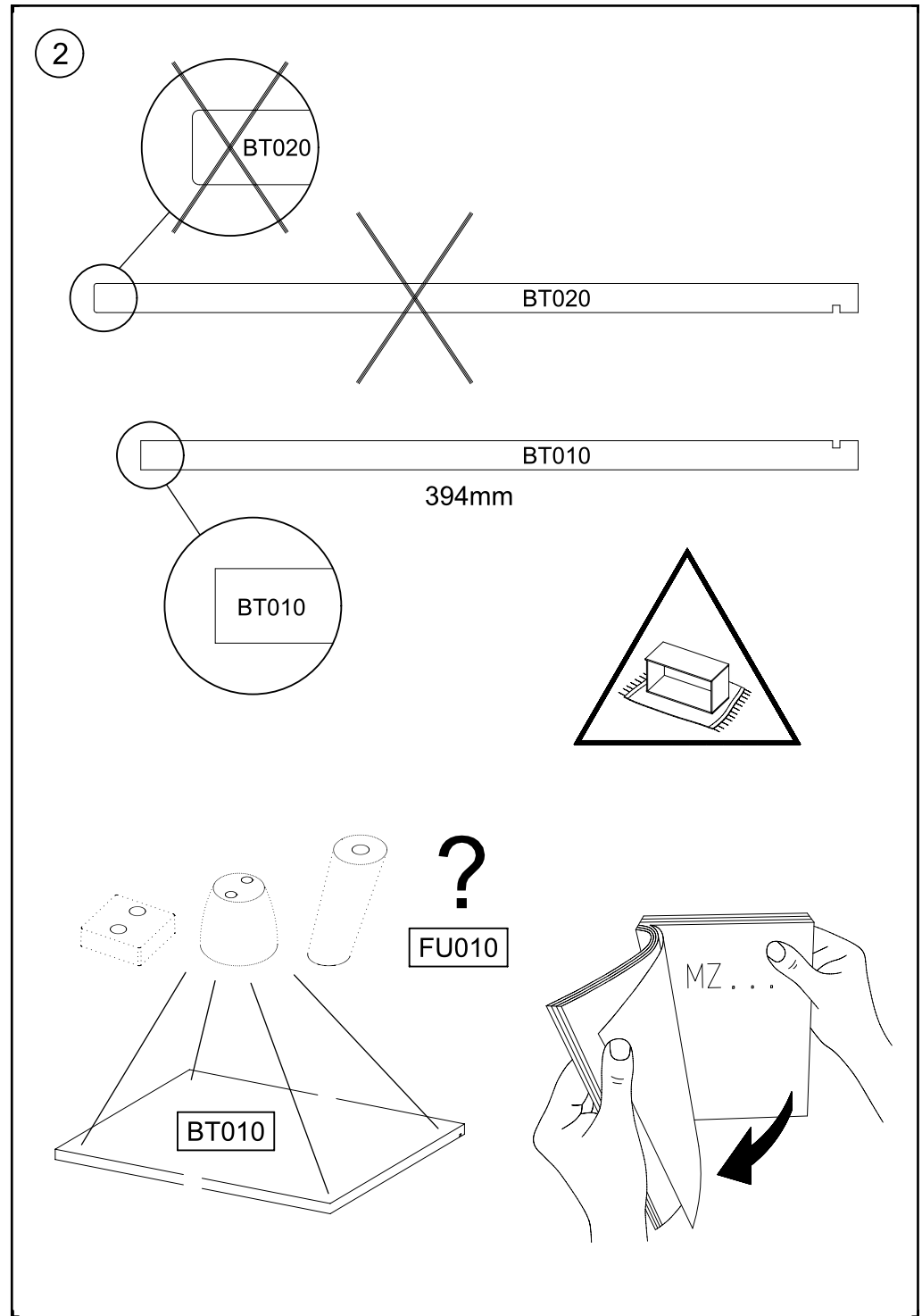
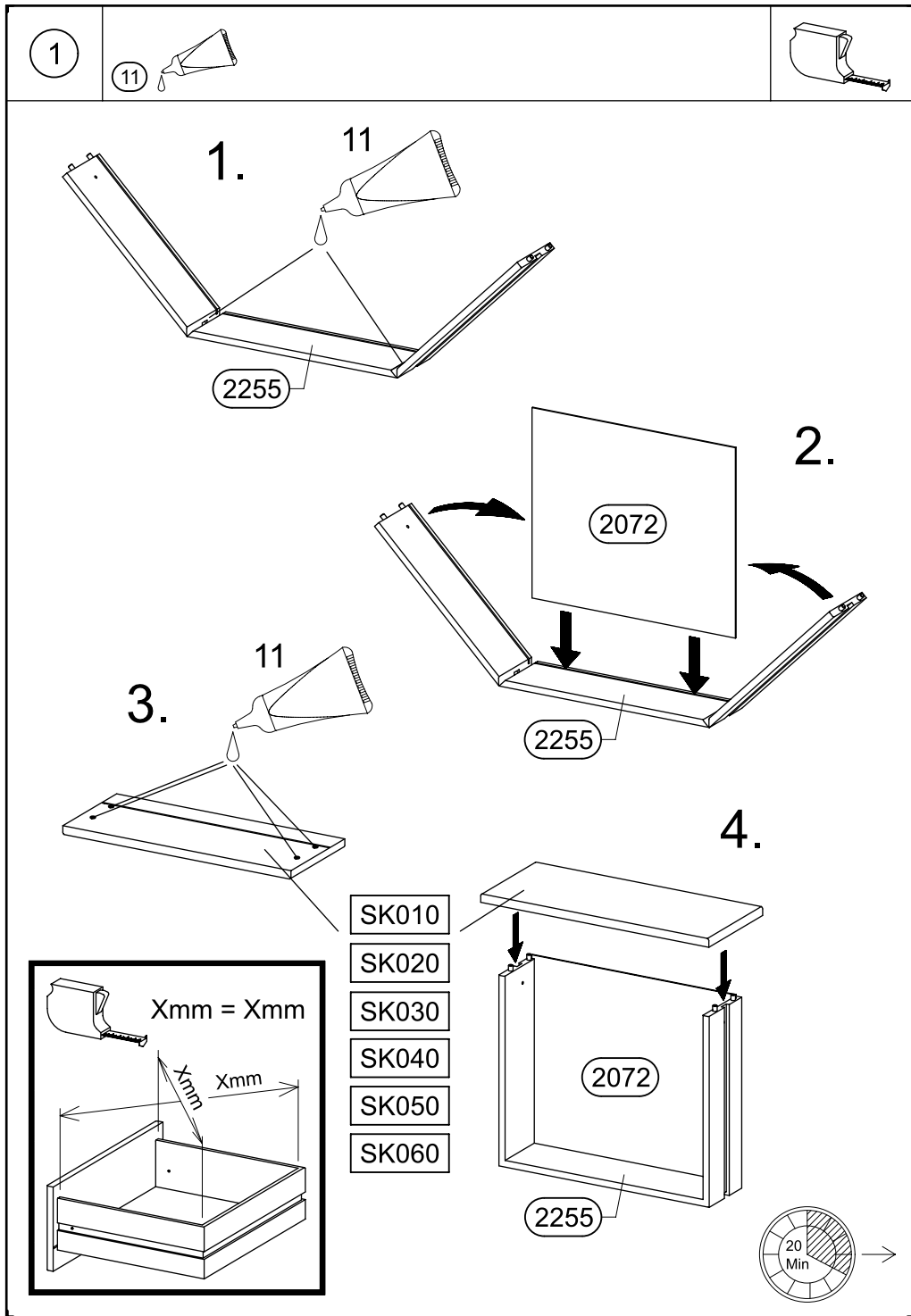
rauch

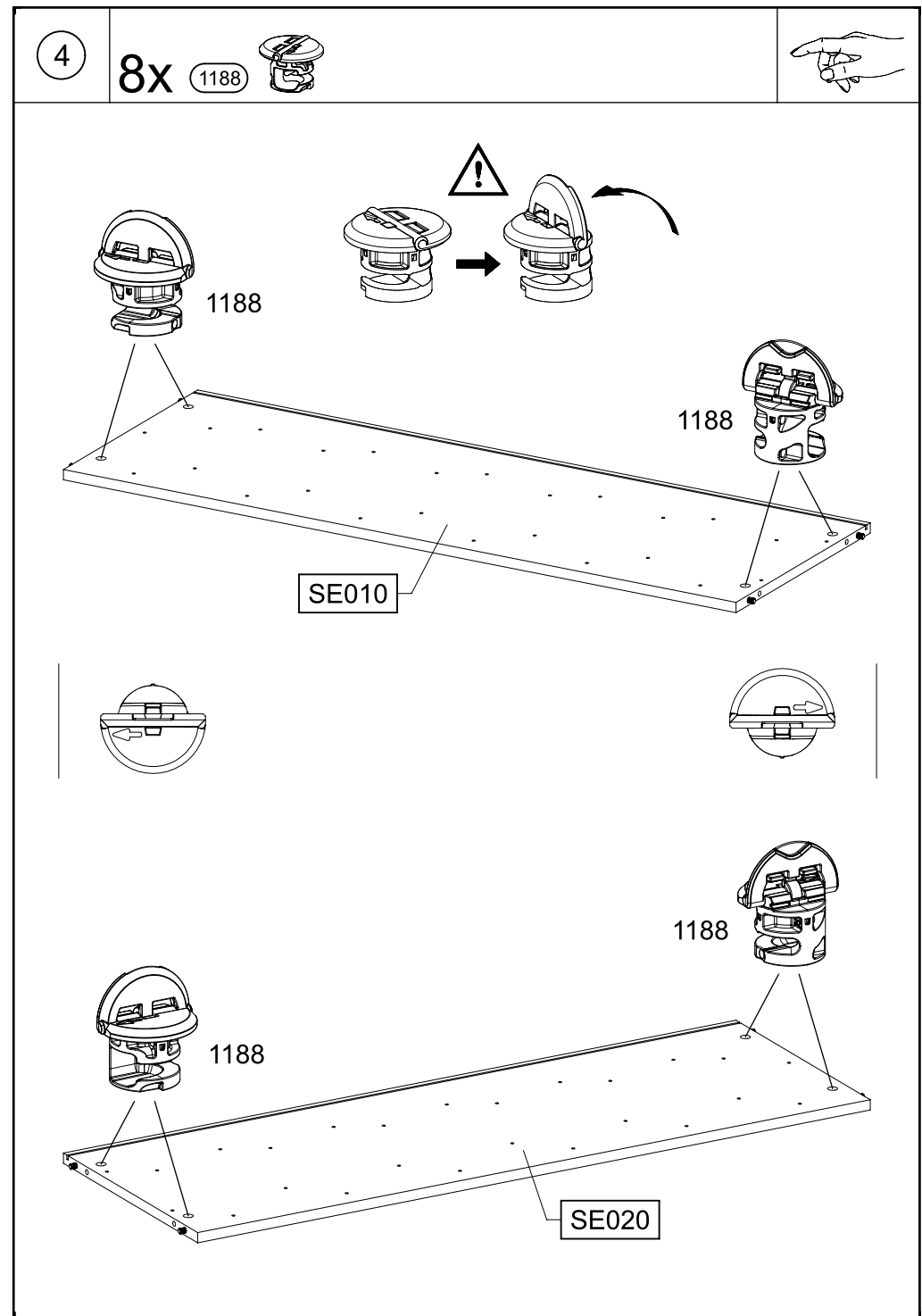
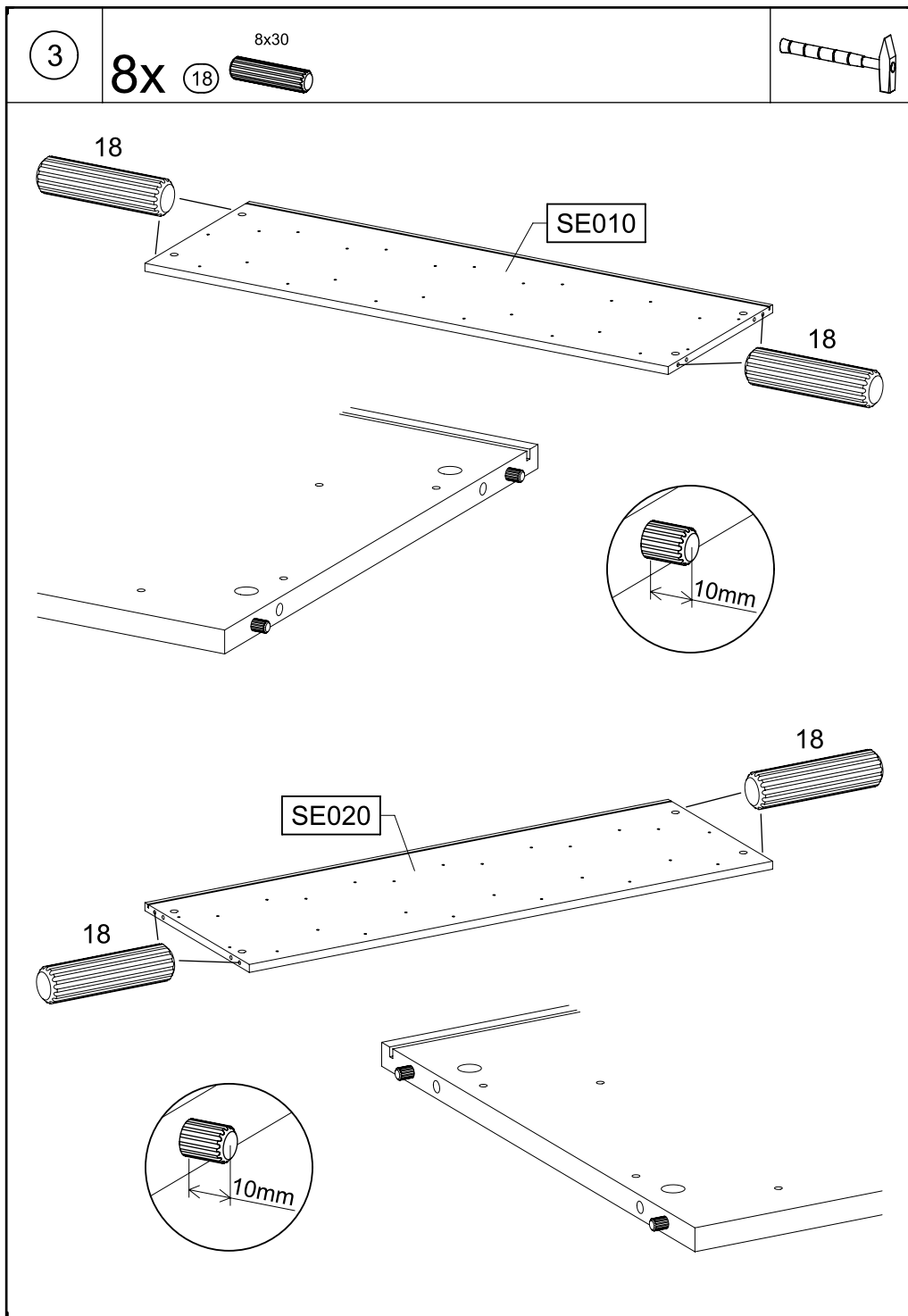


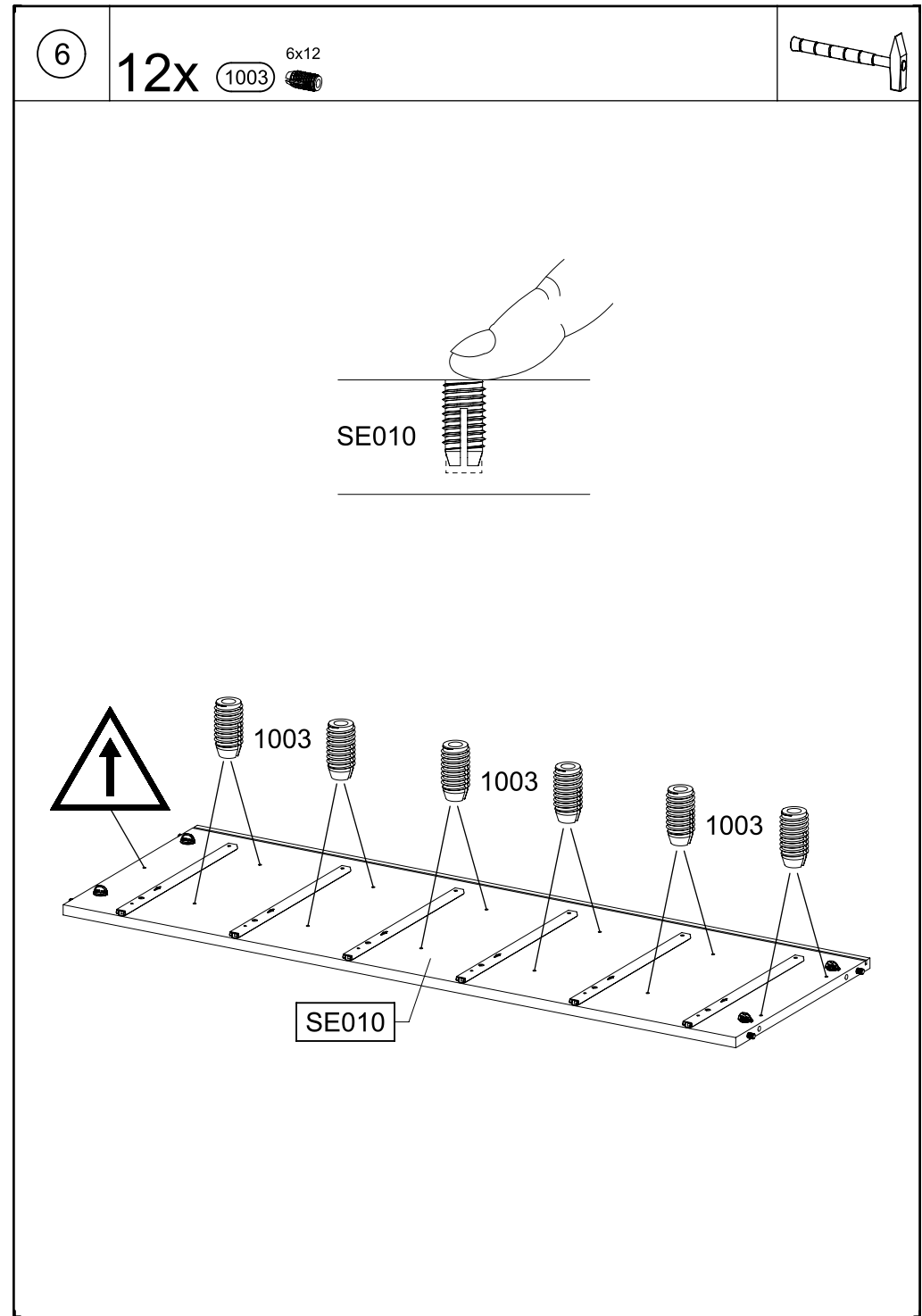
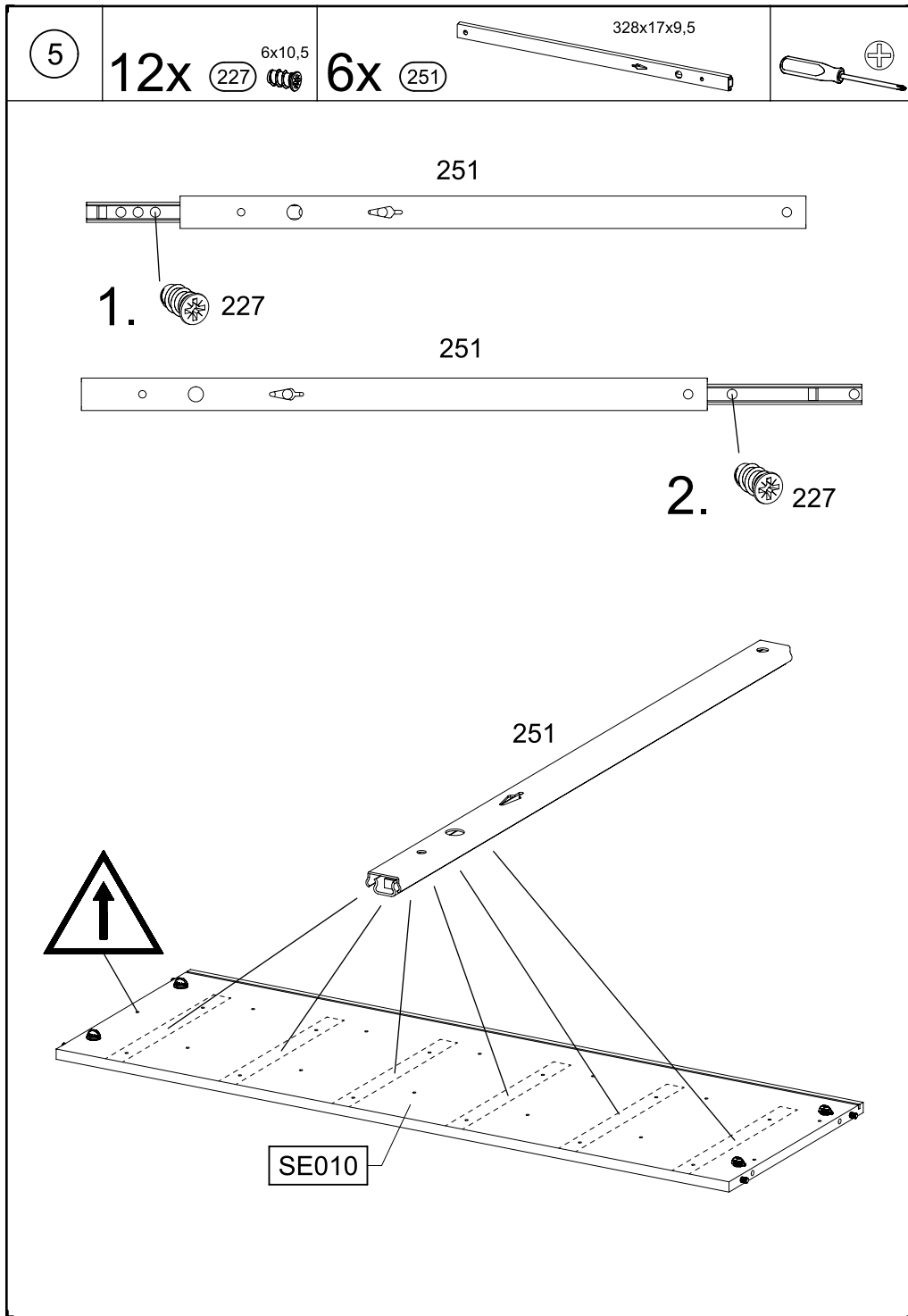
2.

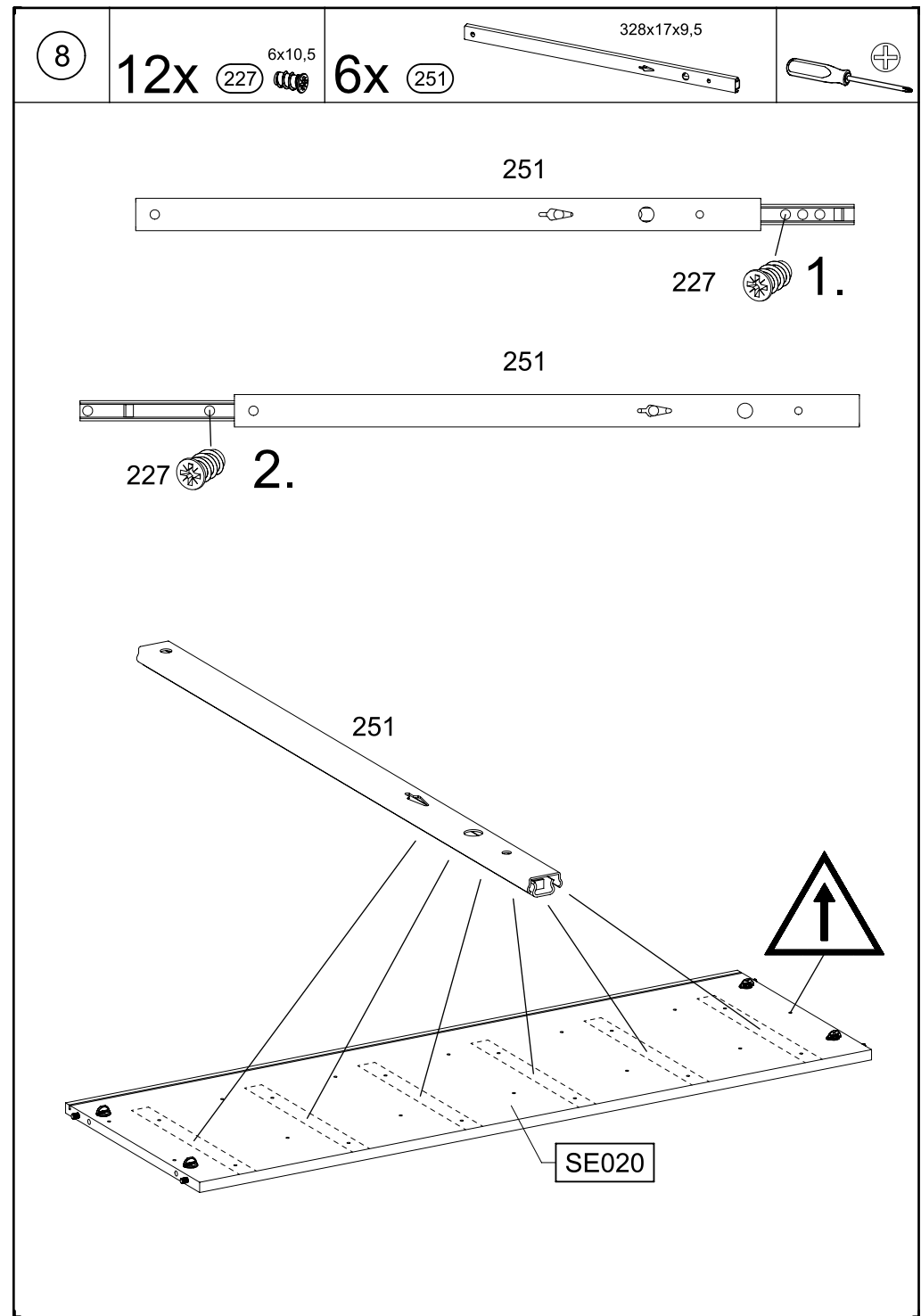
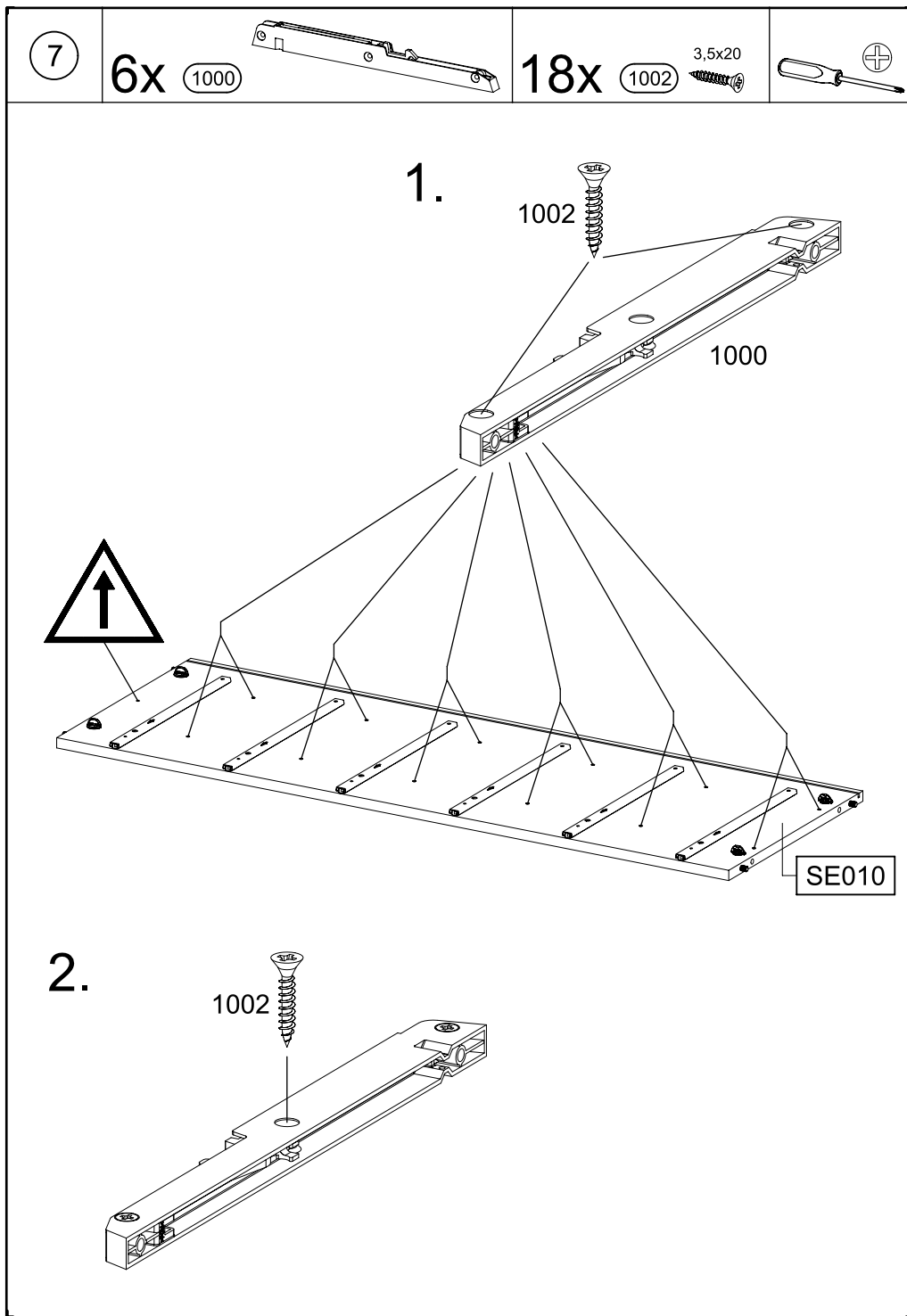






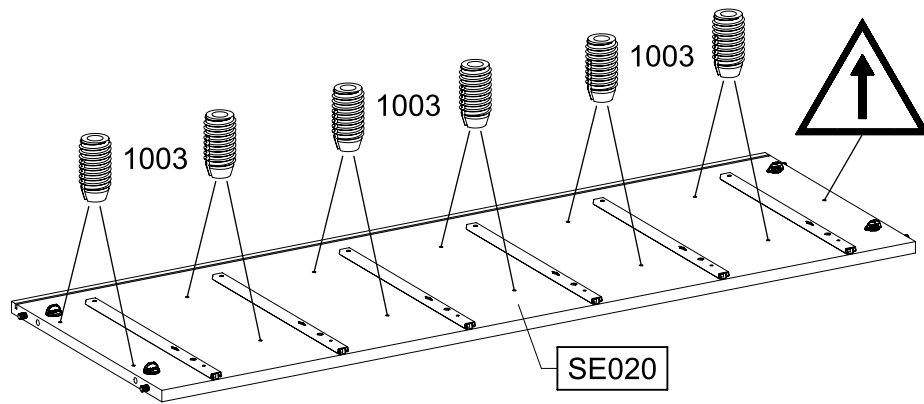
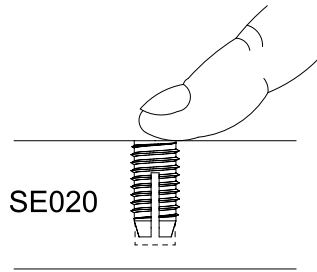
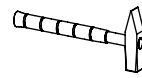






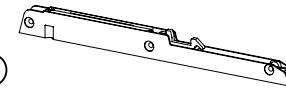
9

12x 1003 6x12

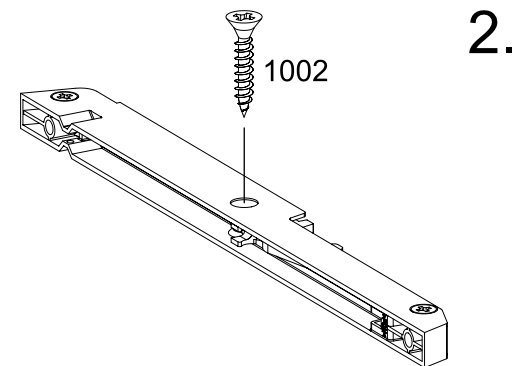
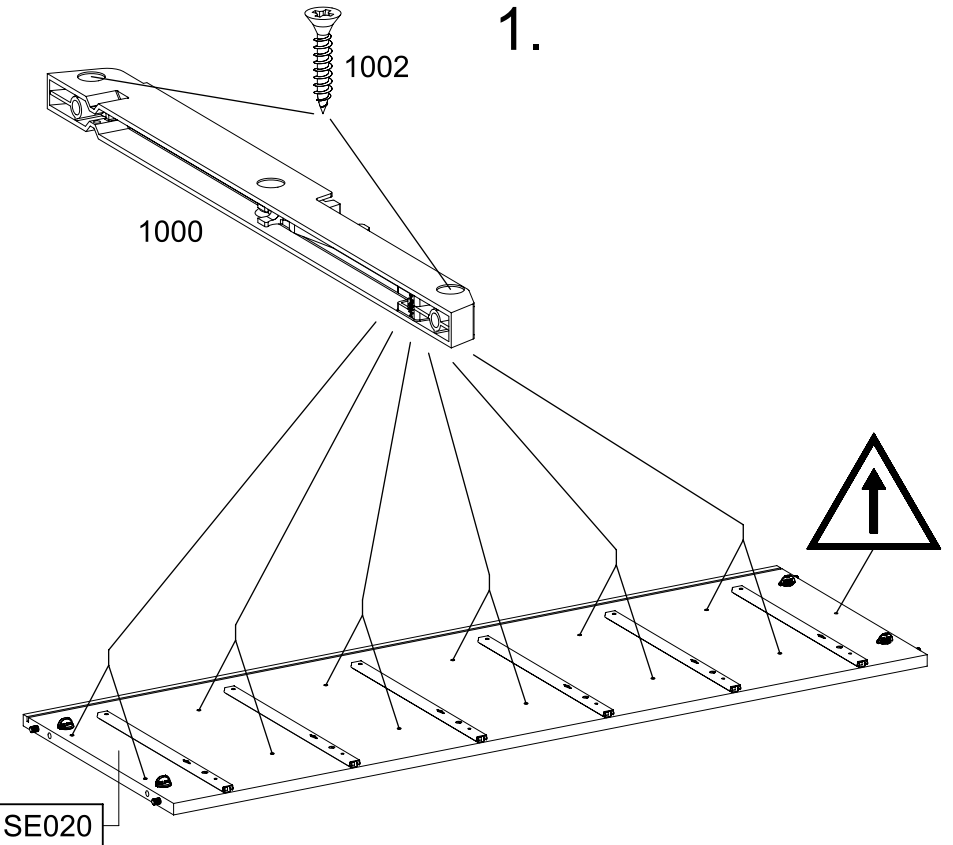
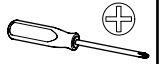


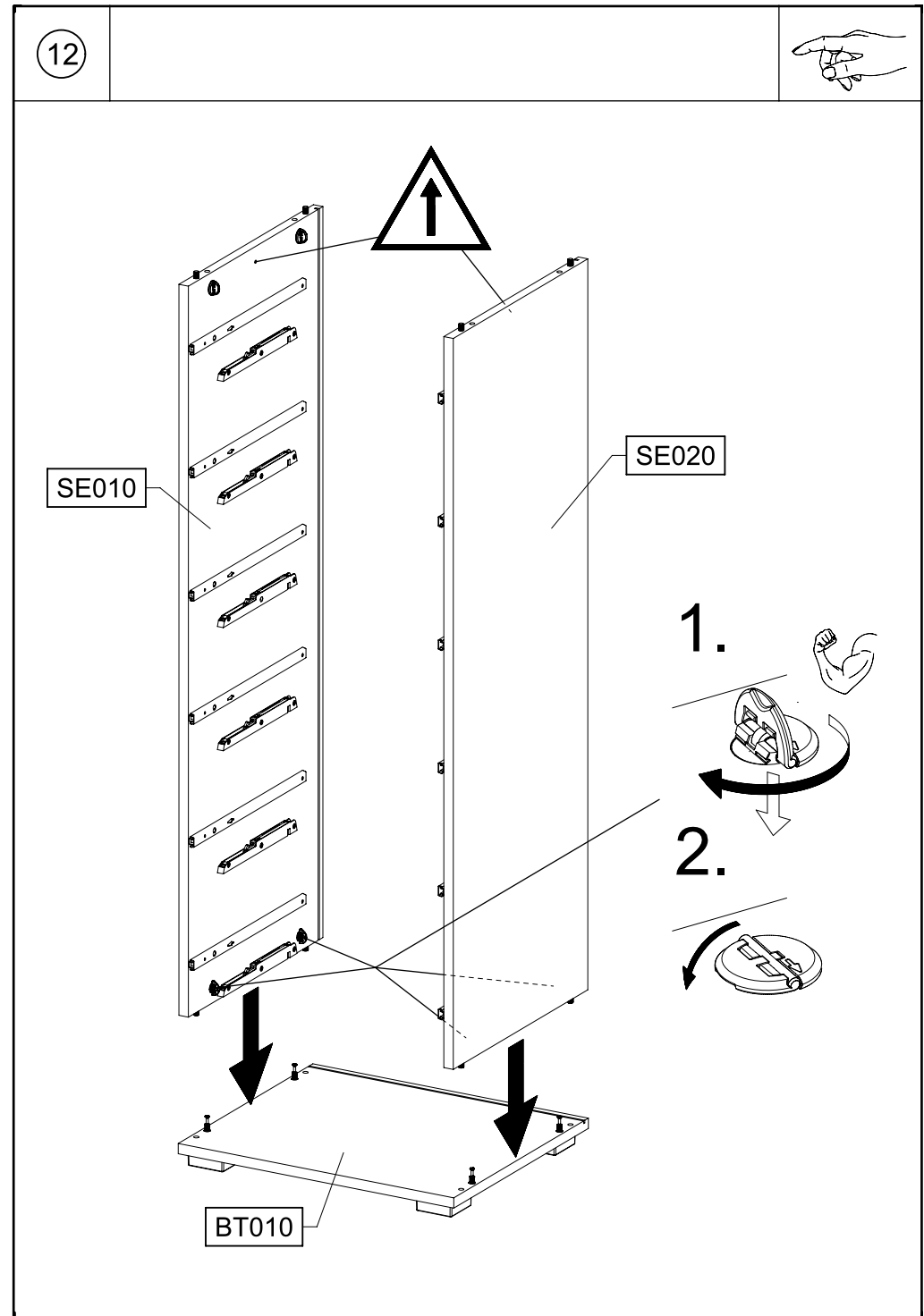
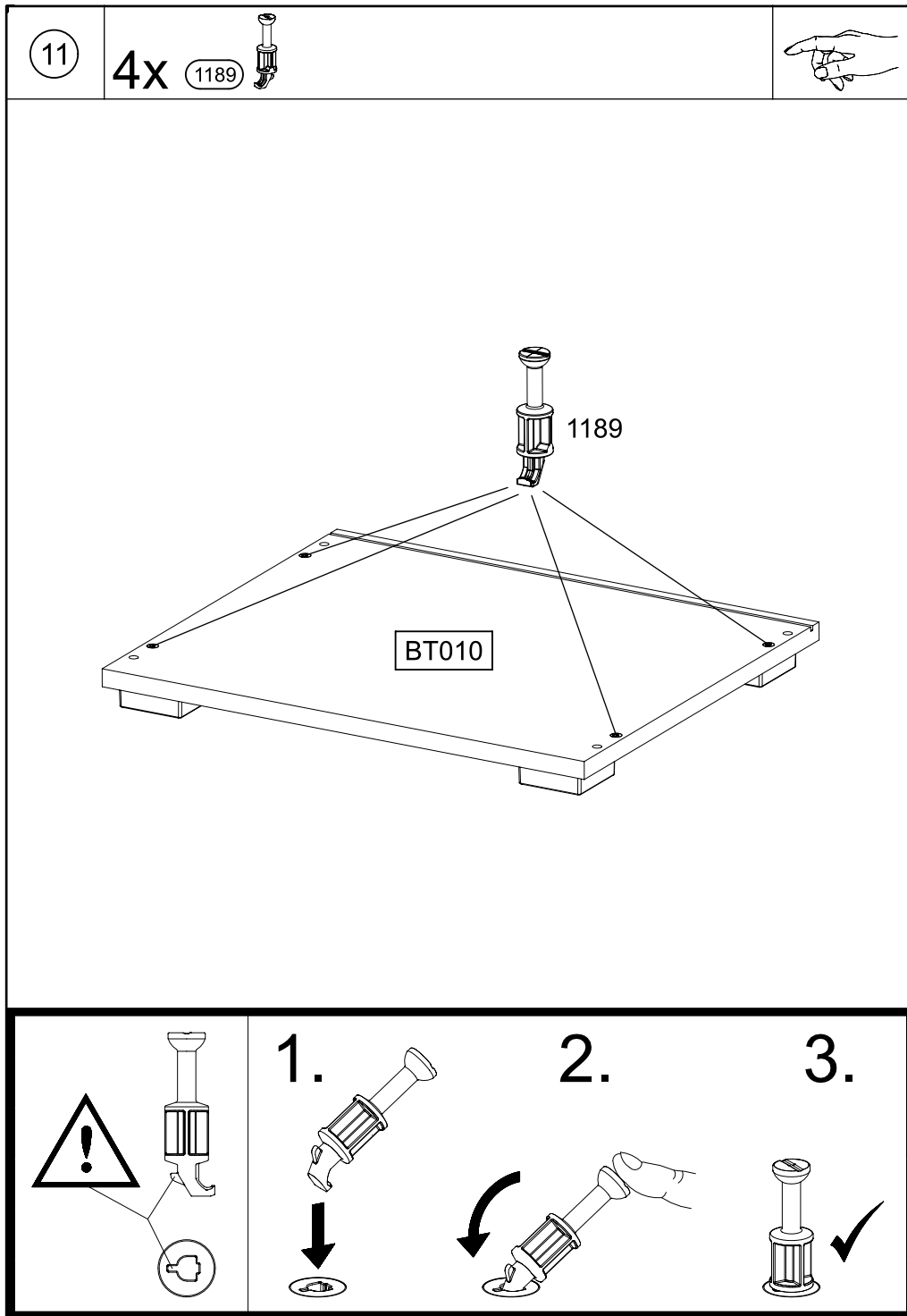
10

6x 1000

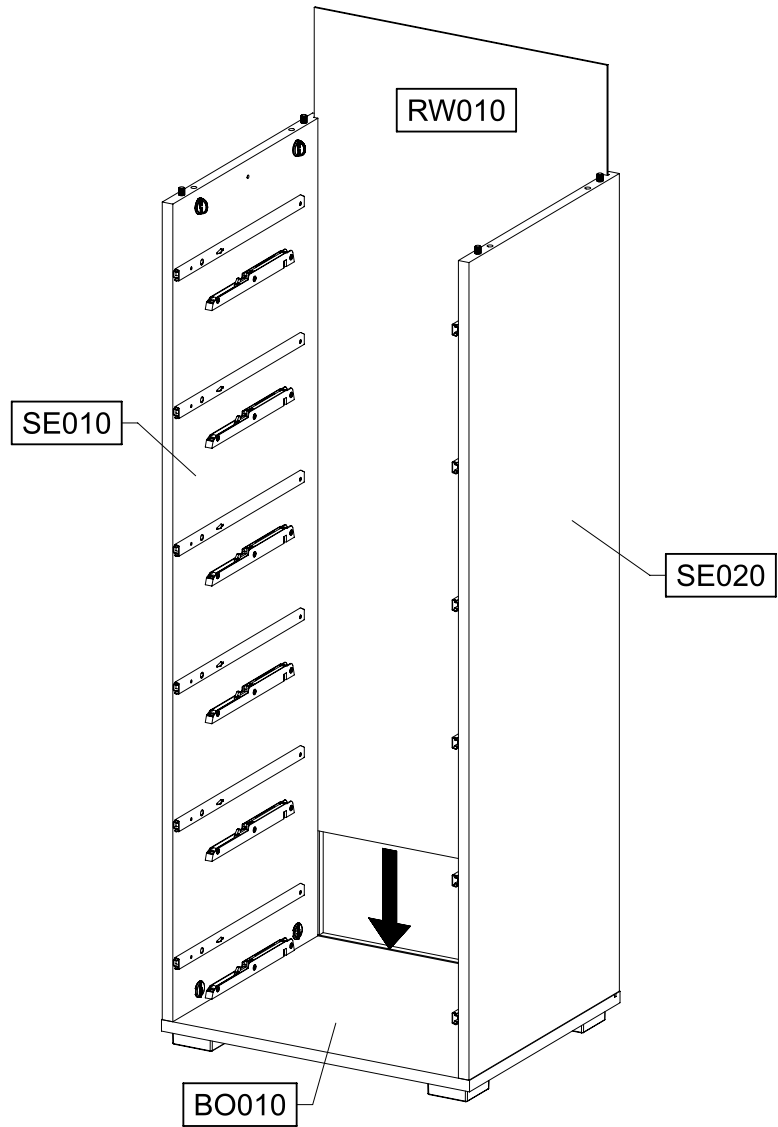


18x 1002 3,5x20



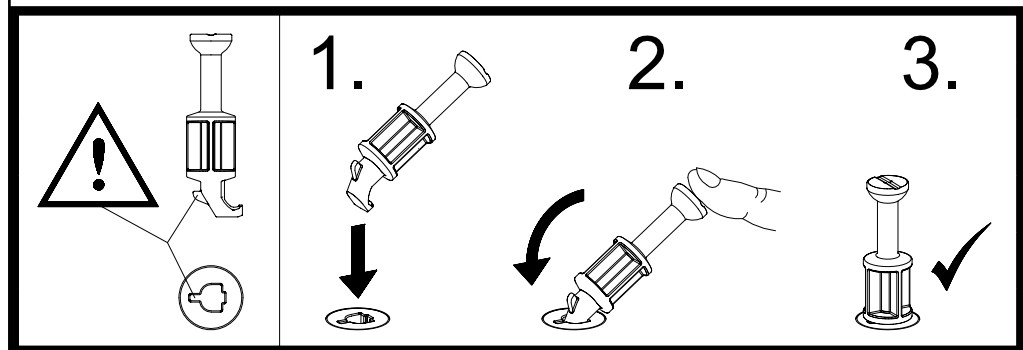
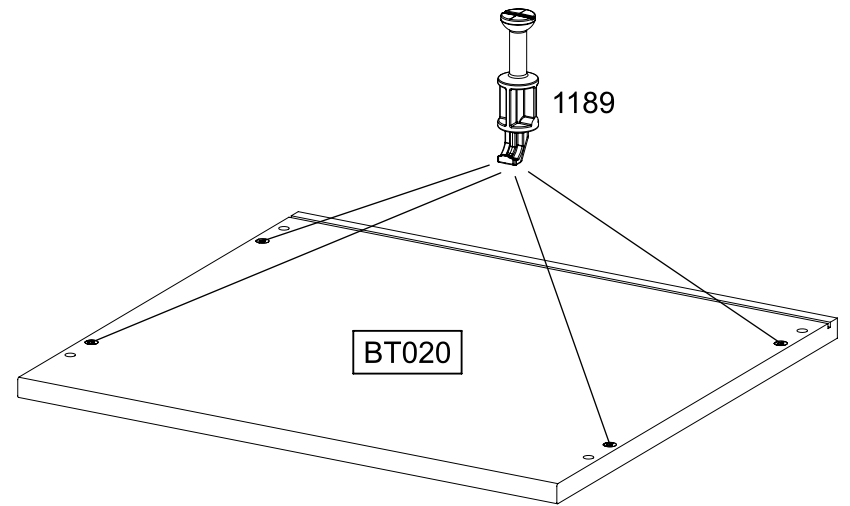


13



14

4x 1189



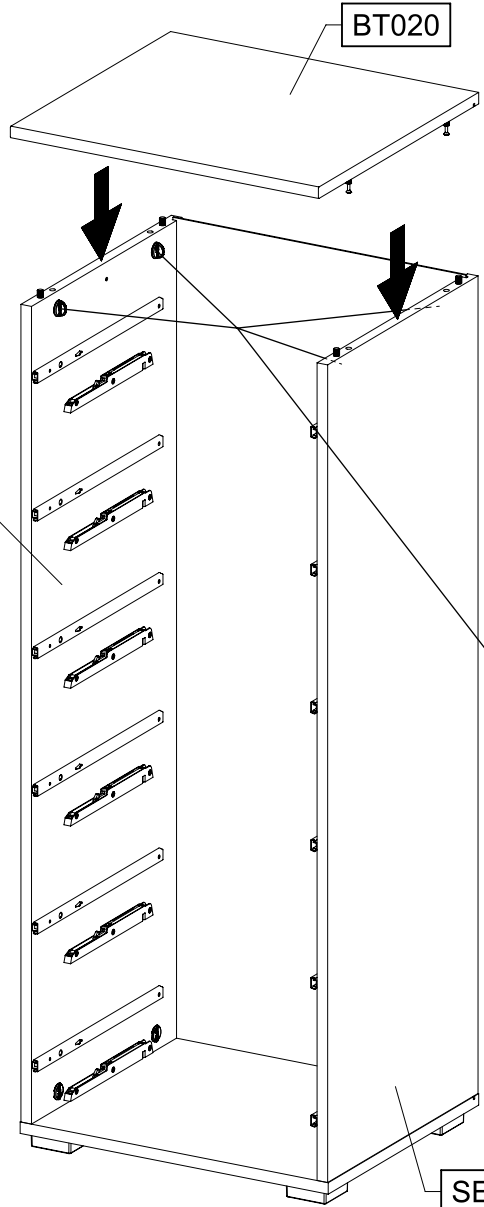
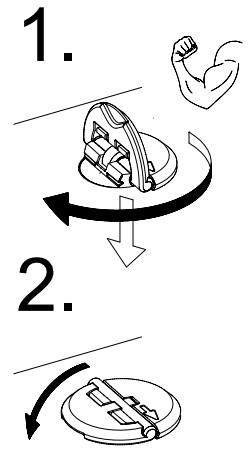
15



BT020

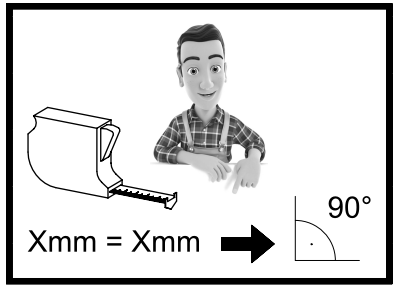
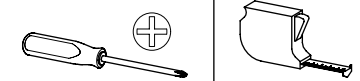
SE010

SE020



16

6x ⁽⁴⁵⁾



RW010

RW010

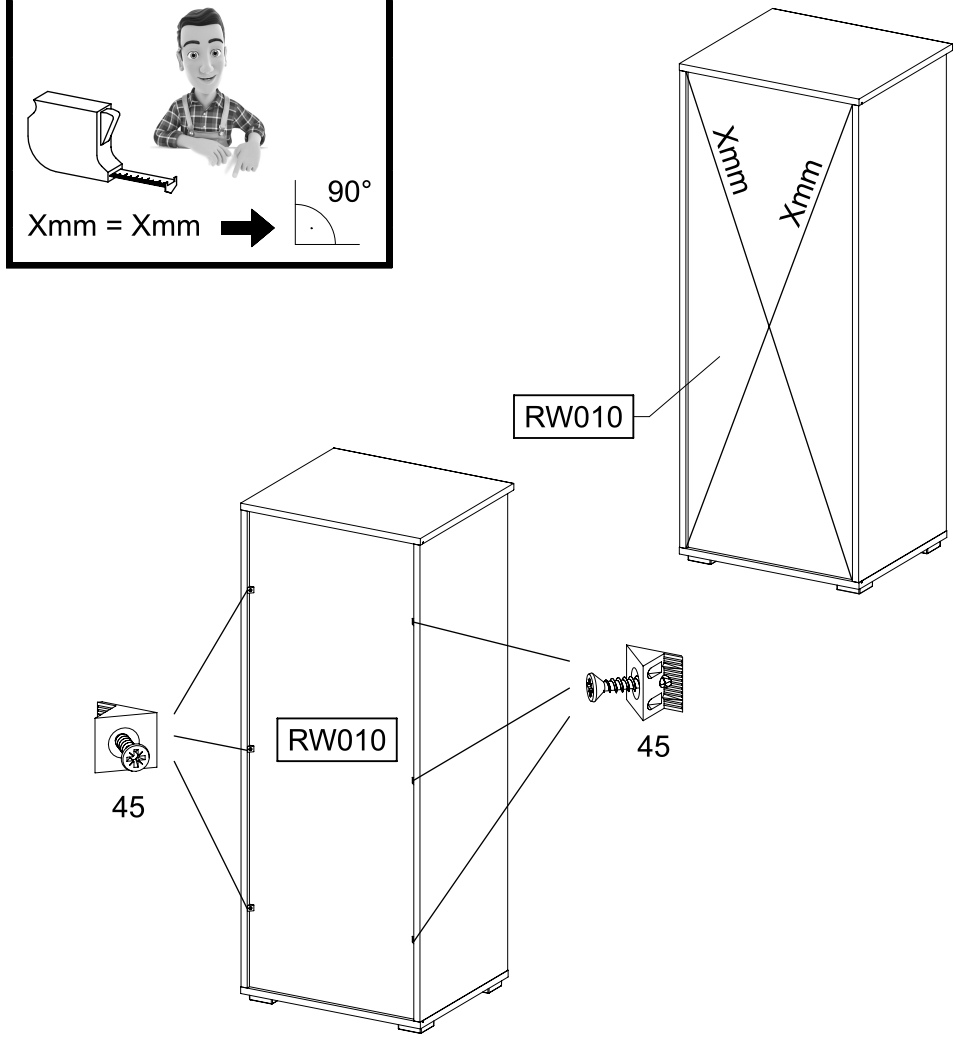
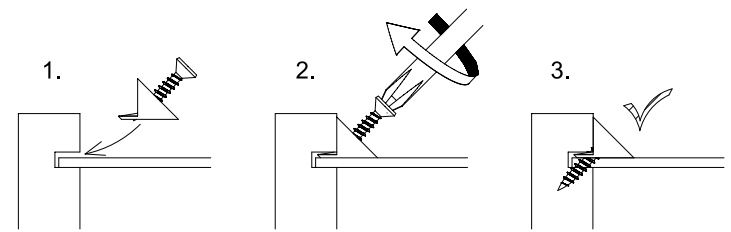
45

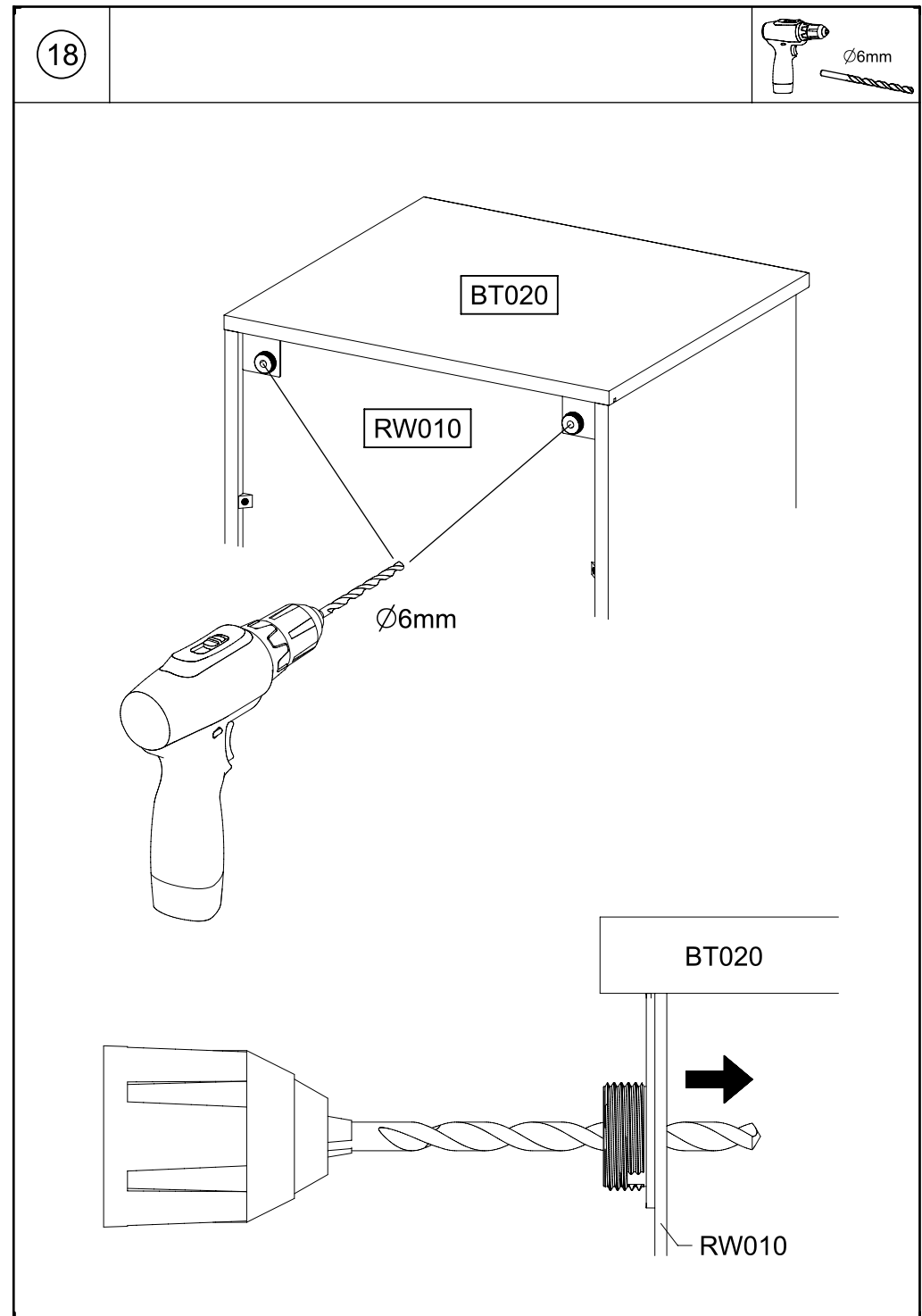
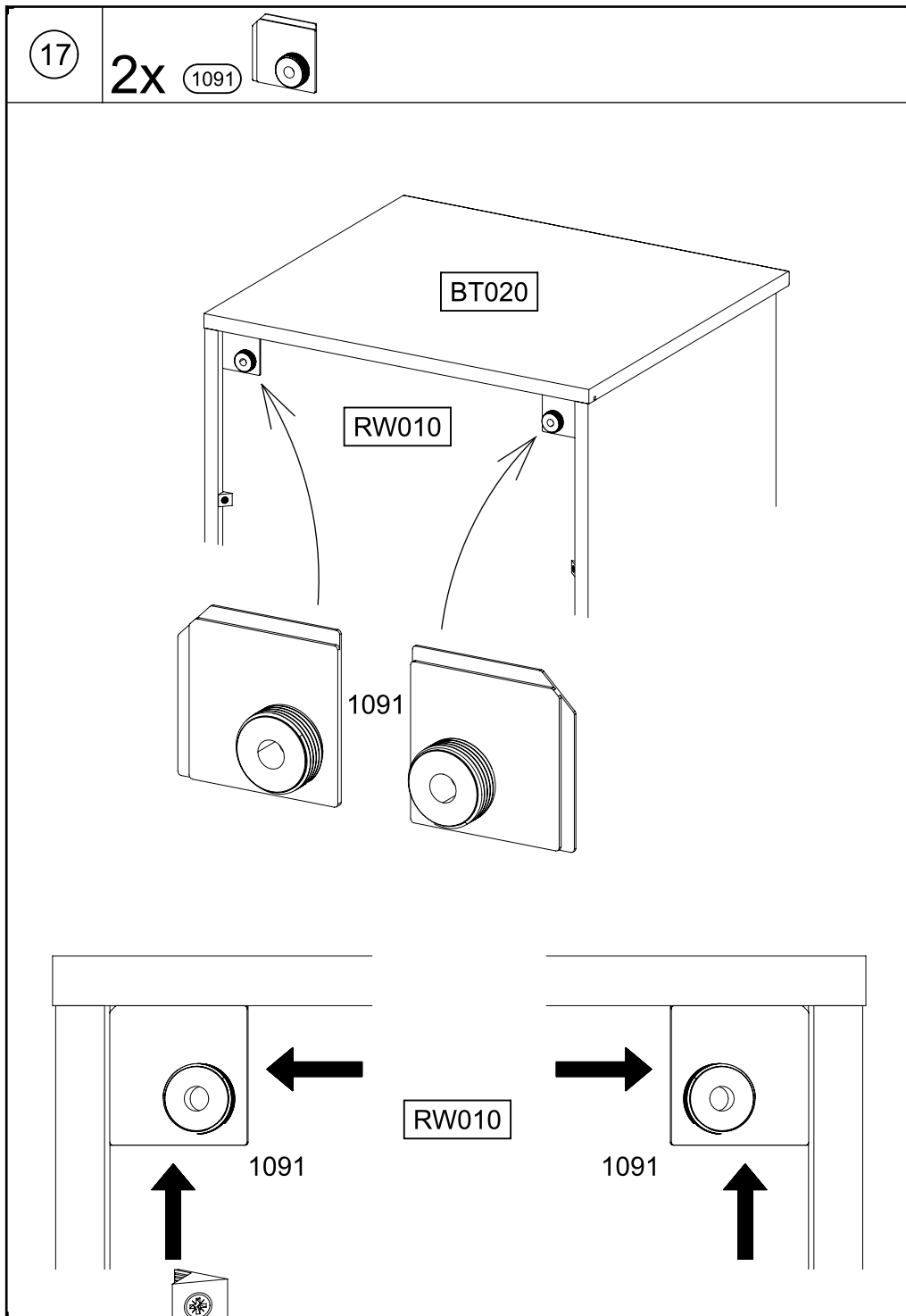
45

1.

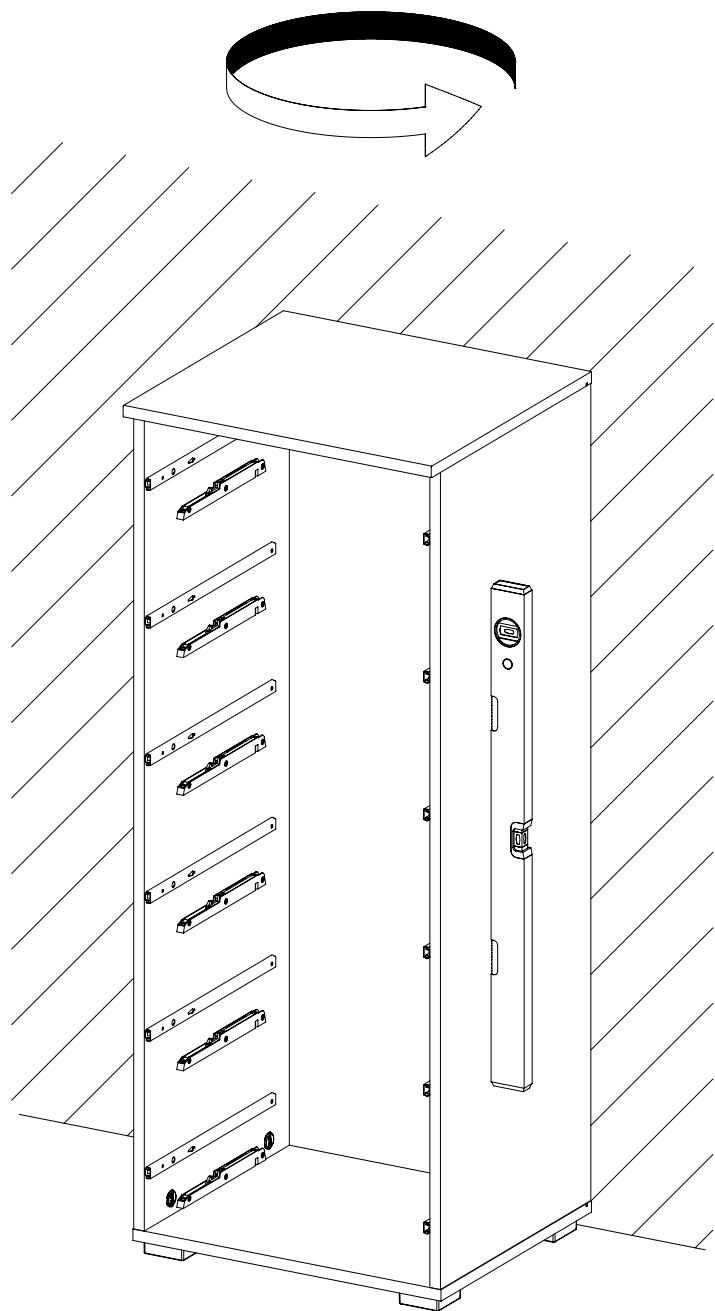
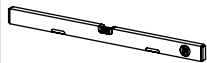
2.

3.





19



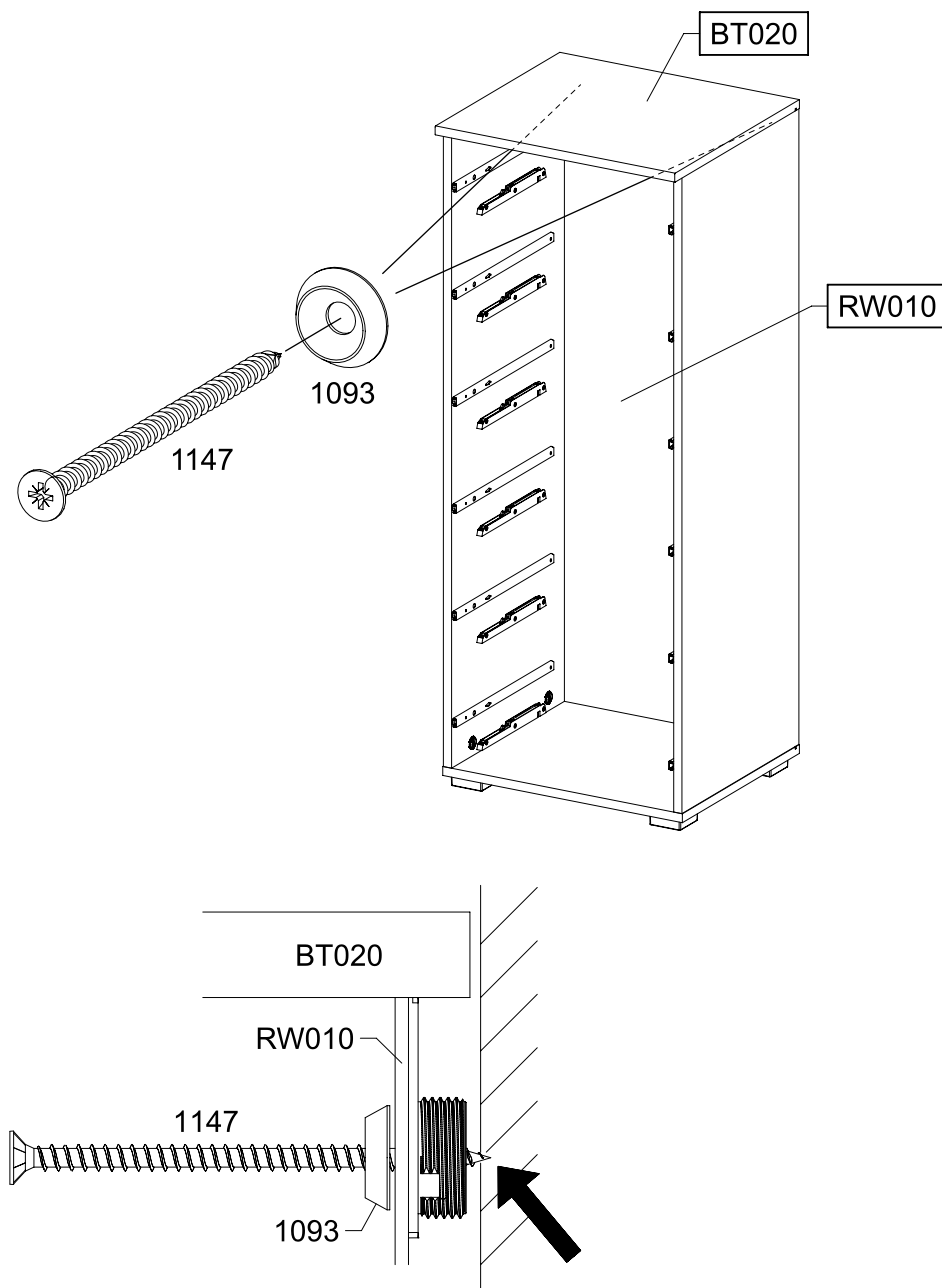
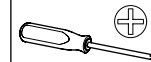
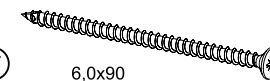
20

2x 1093

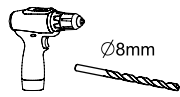


2x 1147

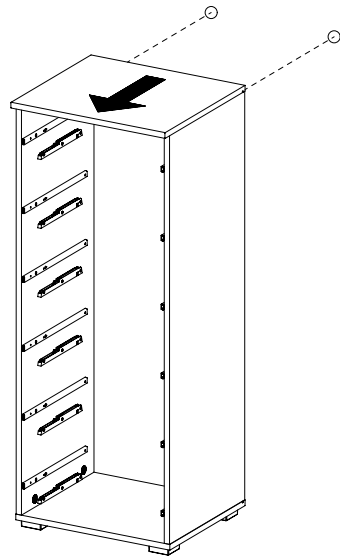
6,0x90



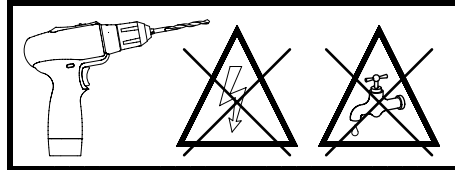
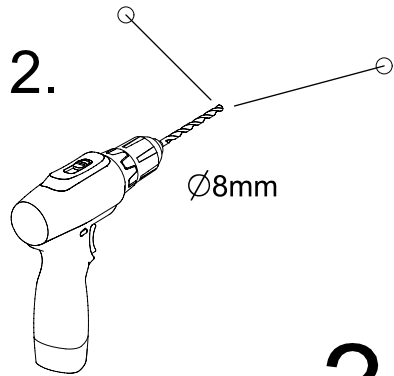
21



1.

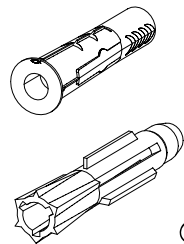
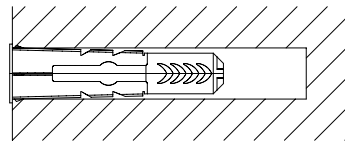


2.



?

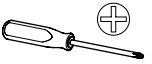
3.



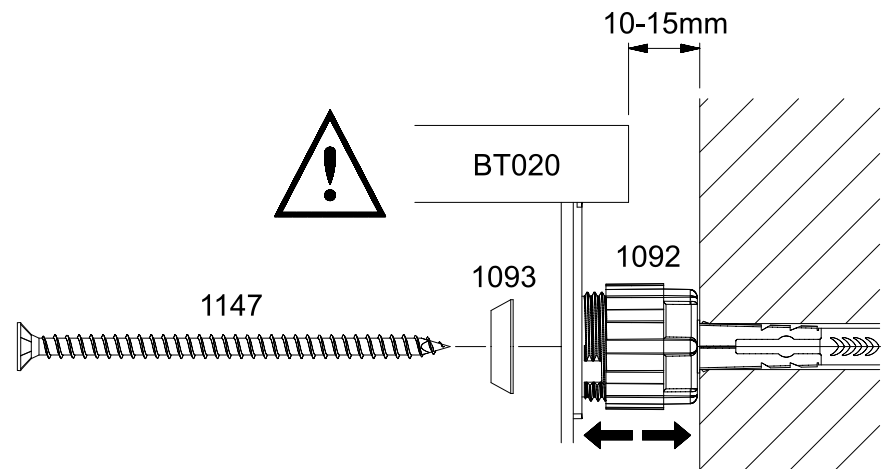
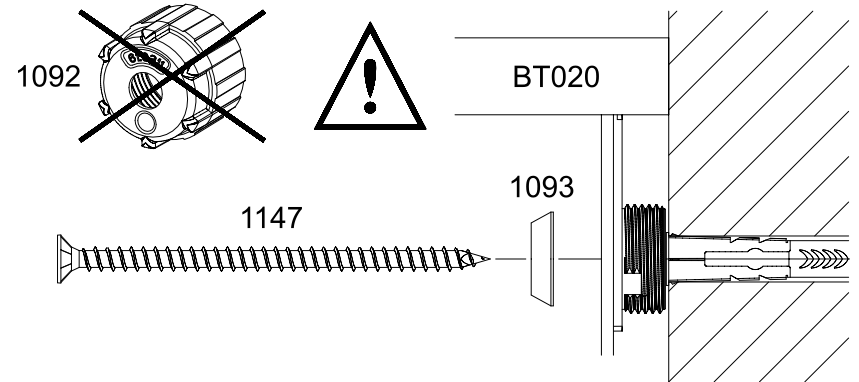
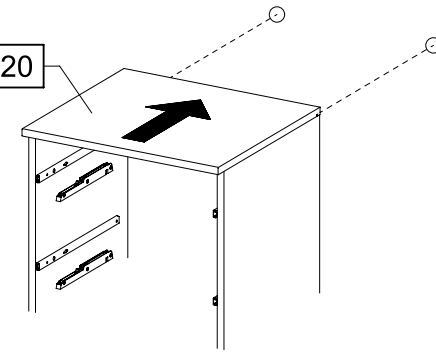
Ø8mm

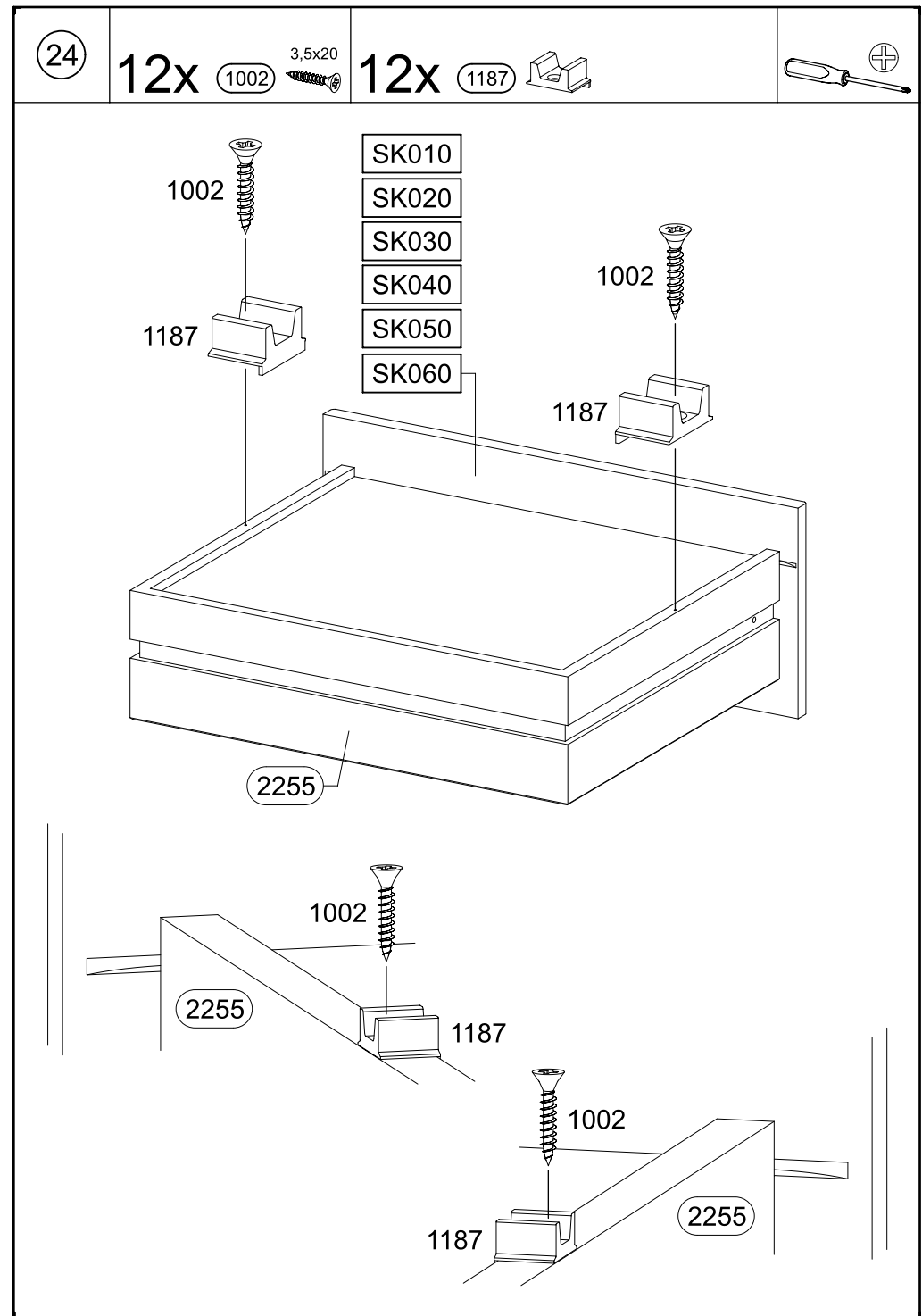
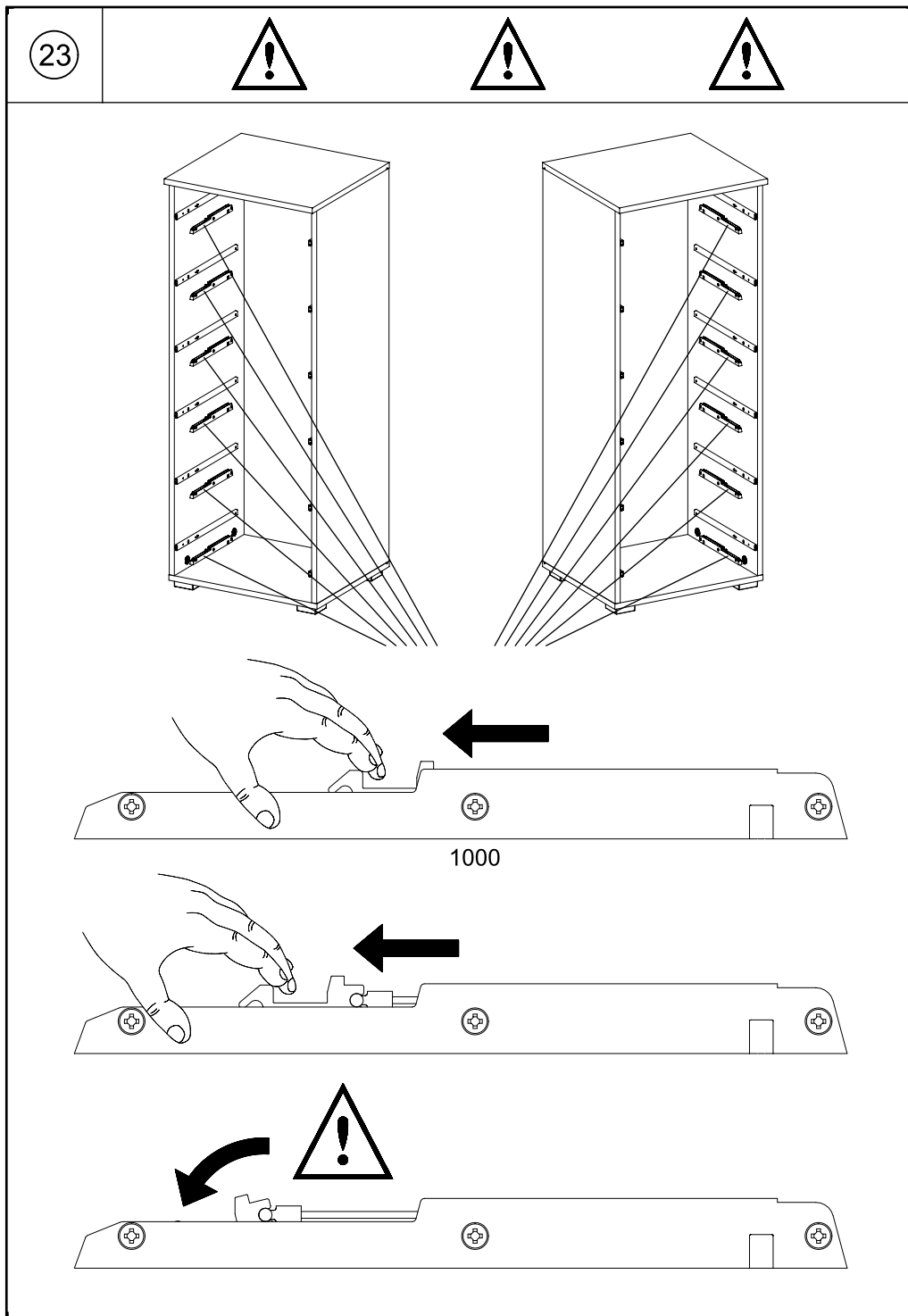
22

2x 1092



BT020



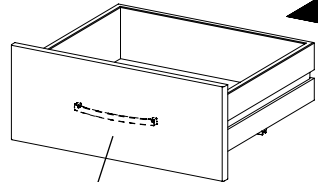
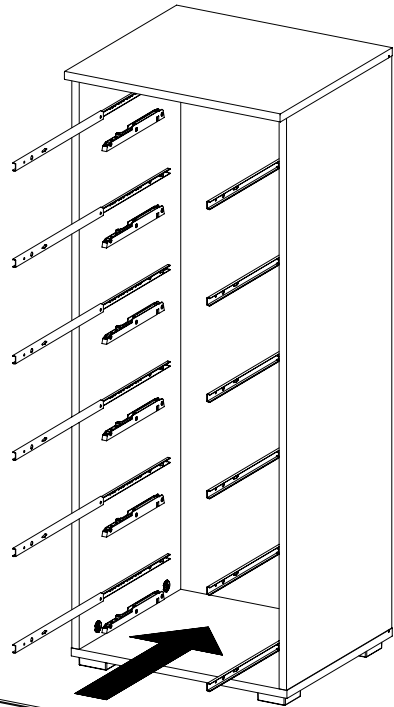
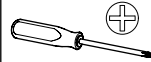


25

12x

568

M4x9



SK010

SK020

SK030

SK040

SK050

SK060

