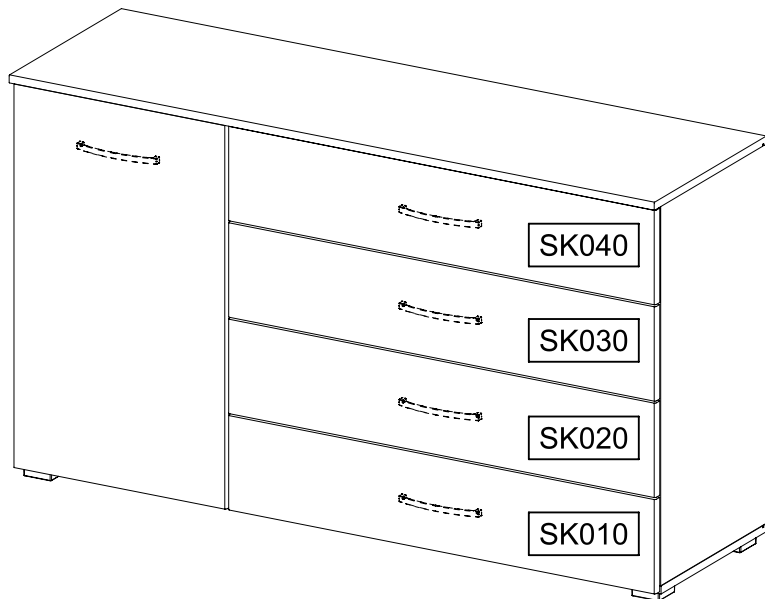
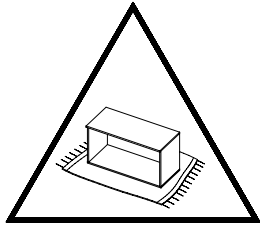
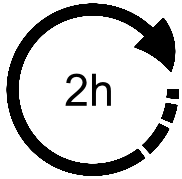
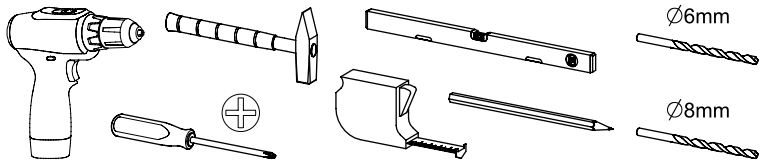
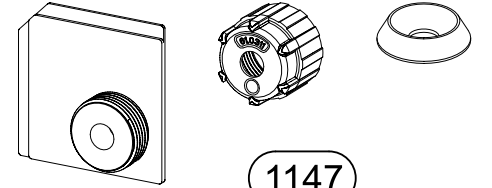


M2615_02

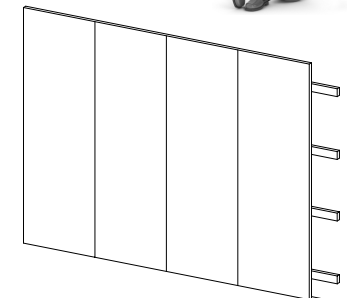
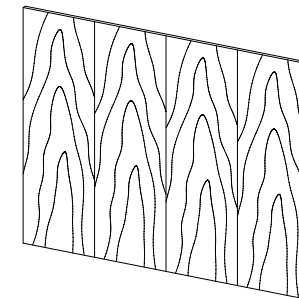
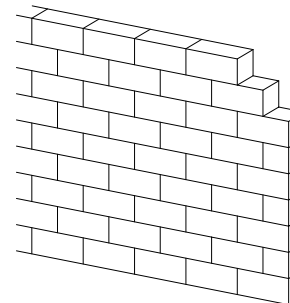
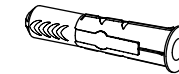
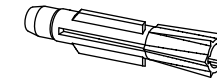
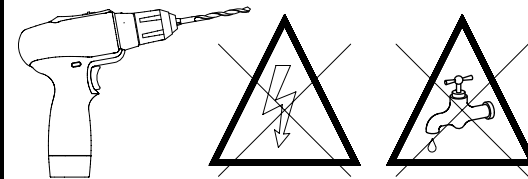
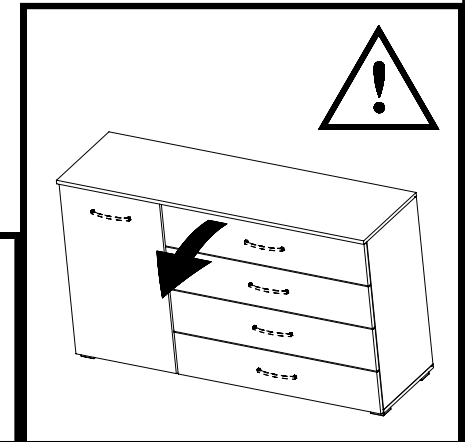
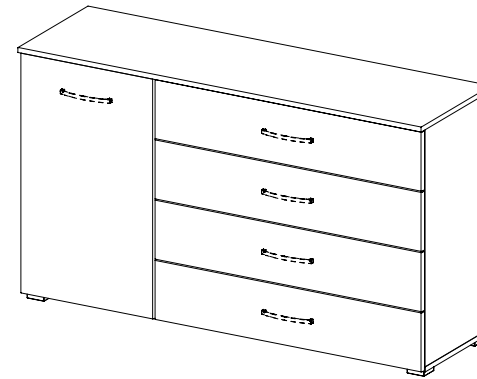
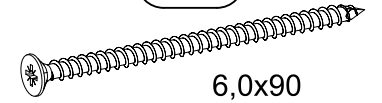
rauch

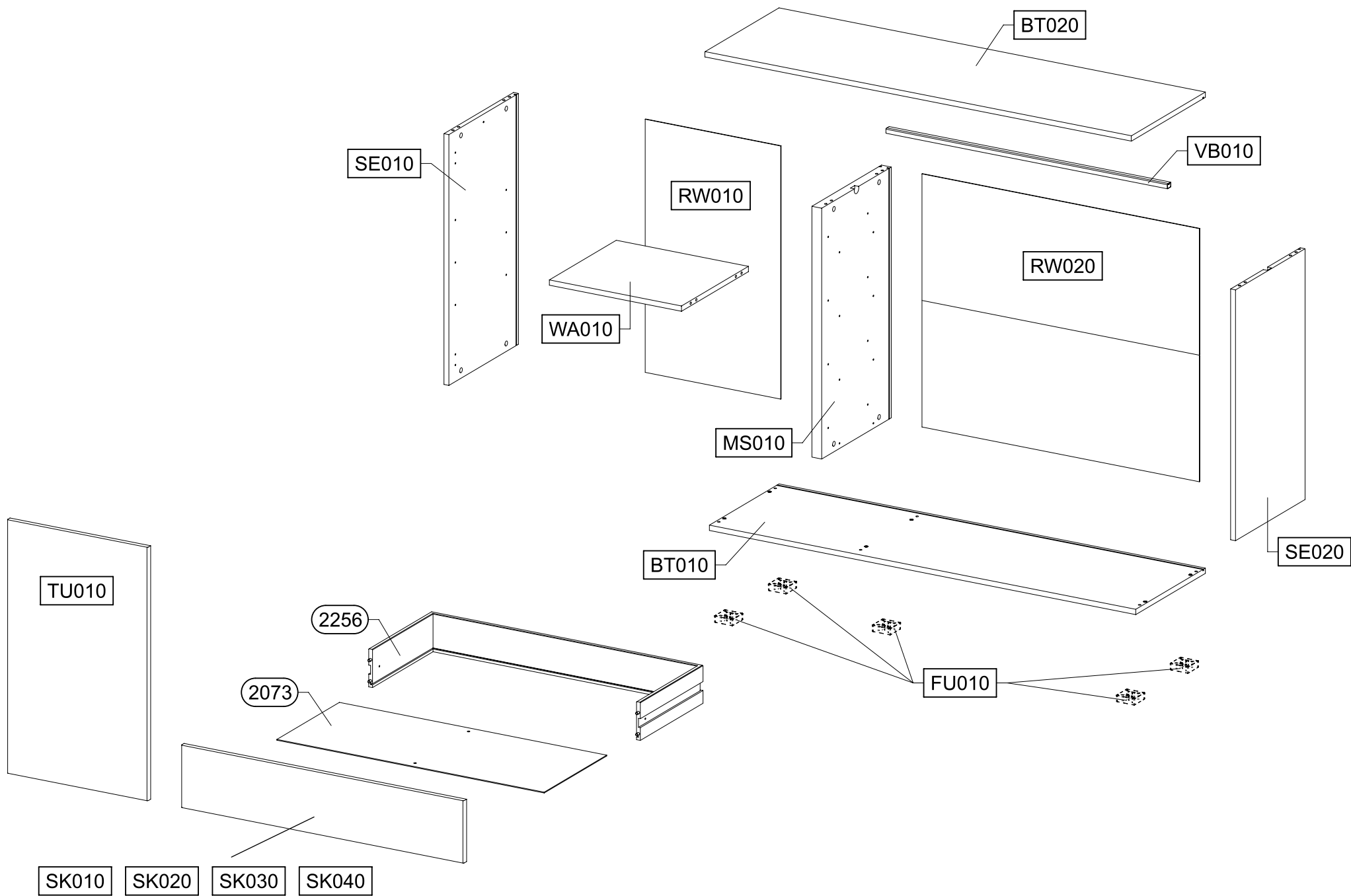


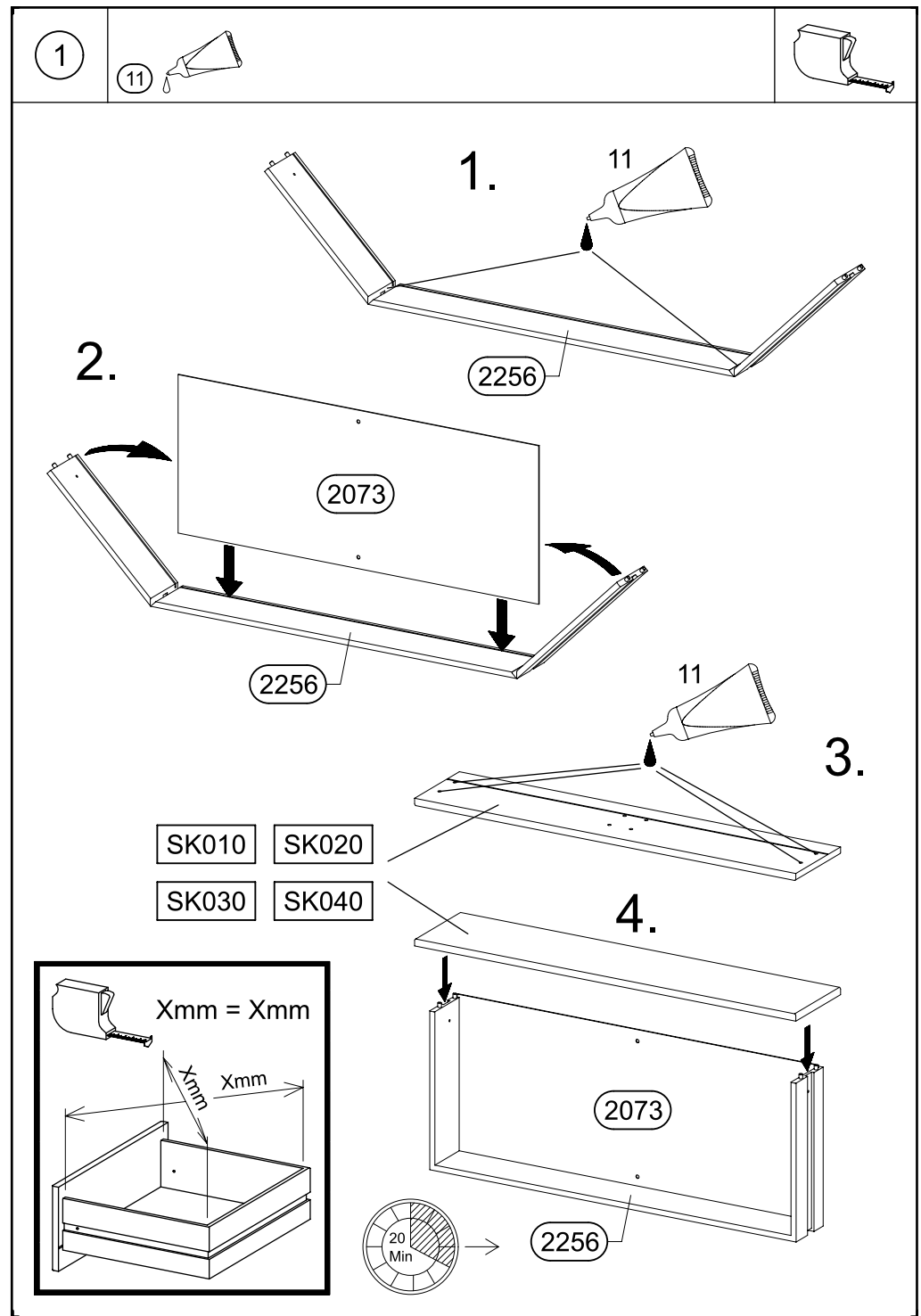
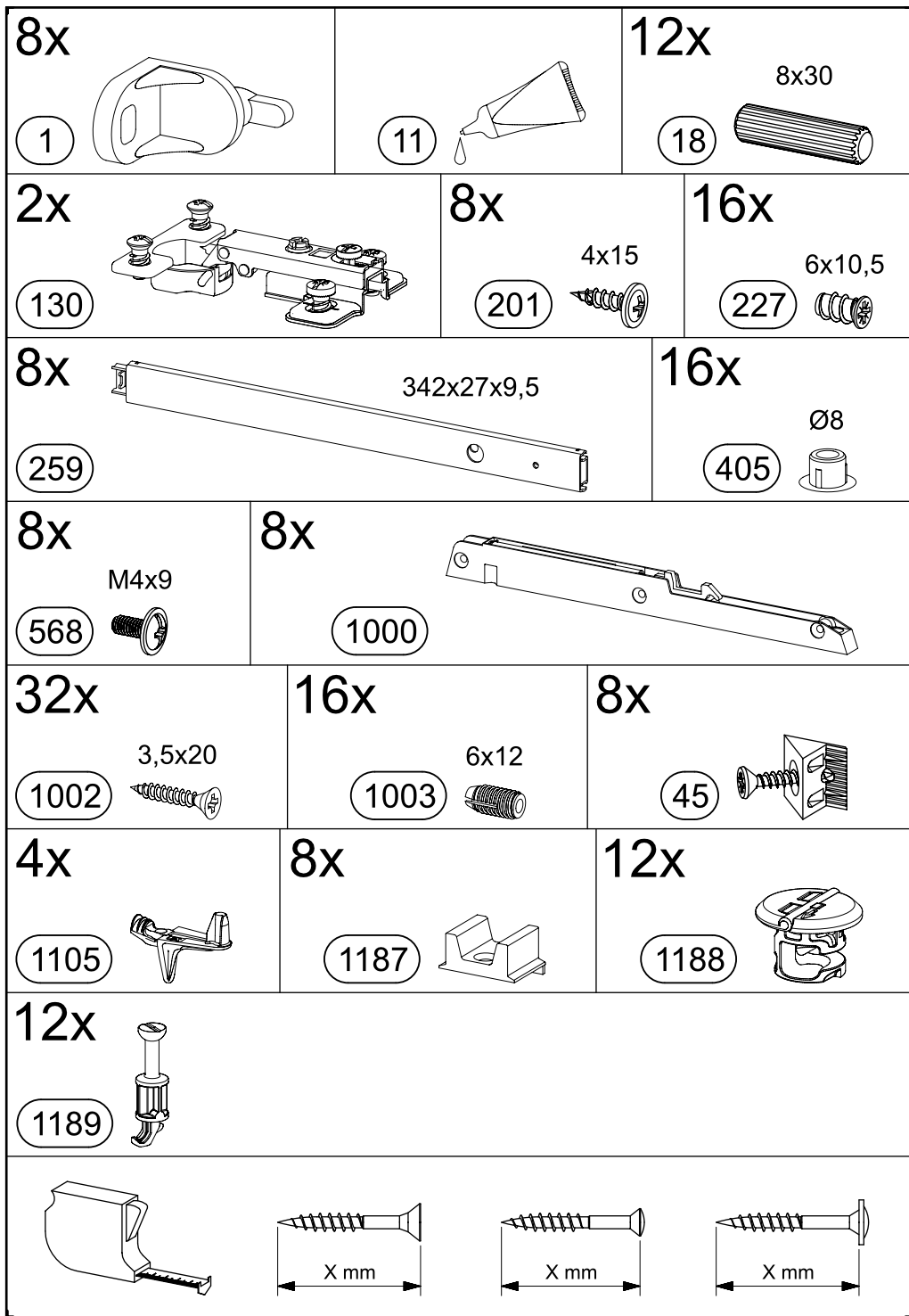
1091 1092 1093

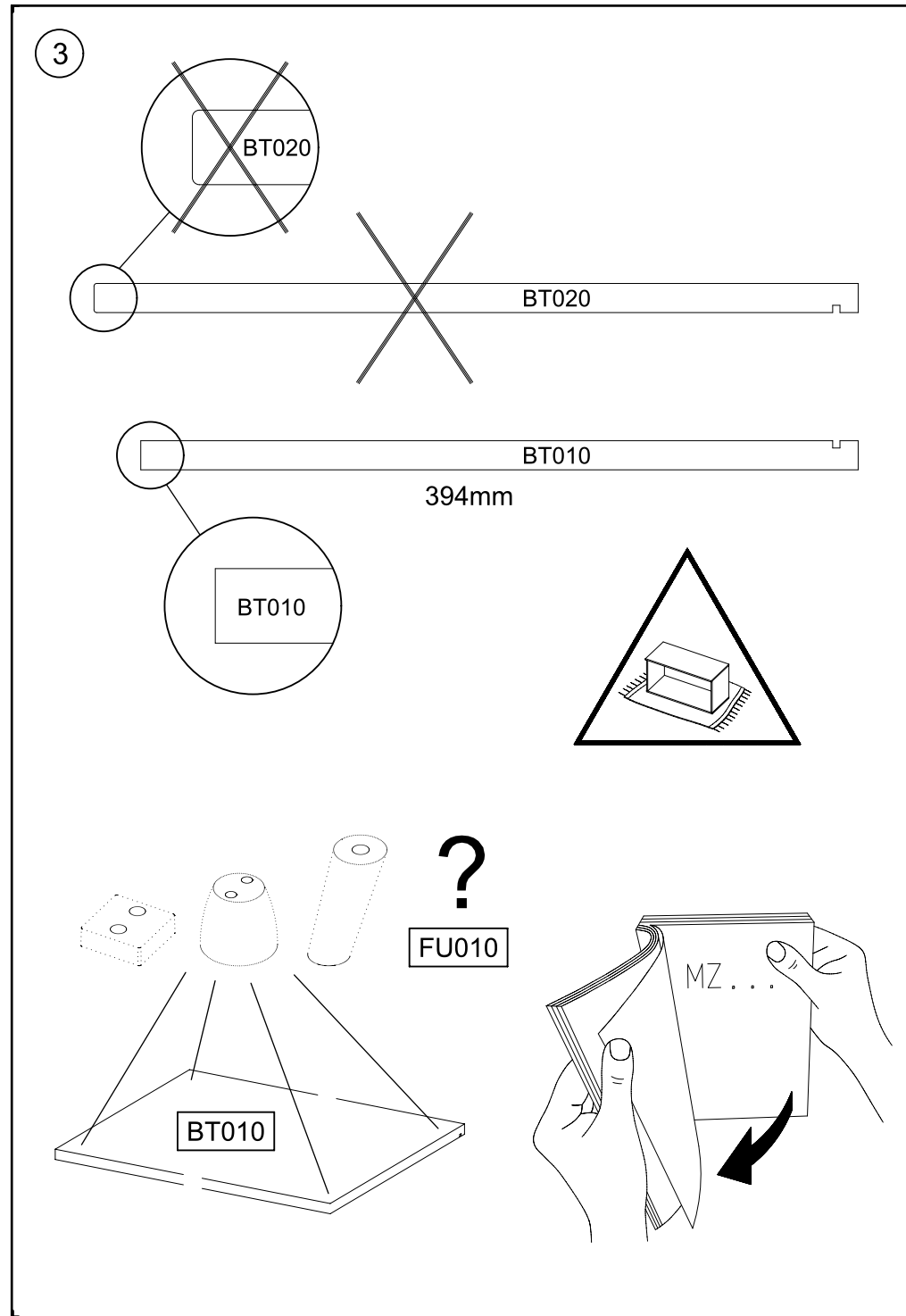
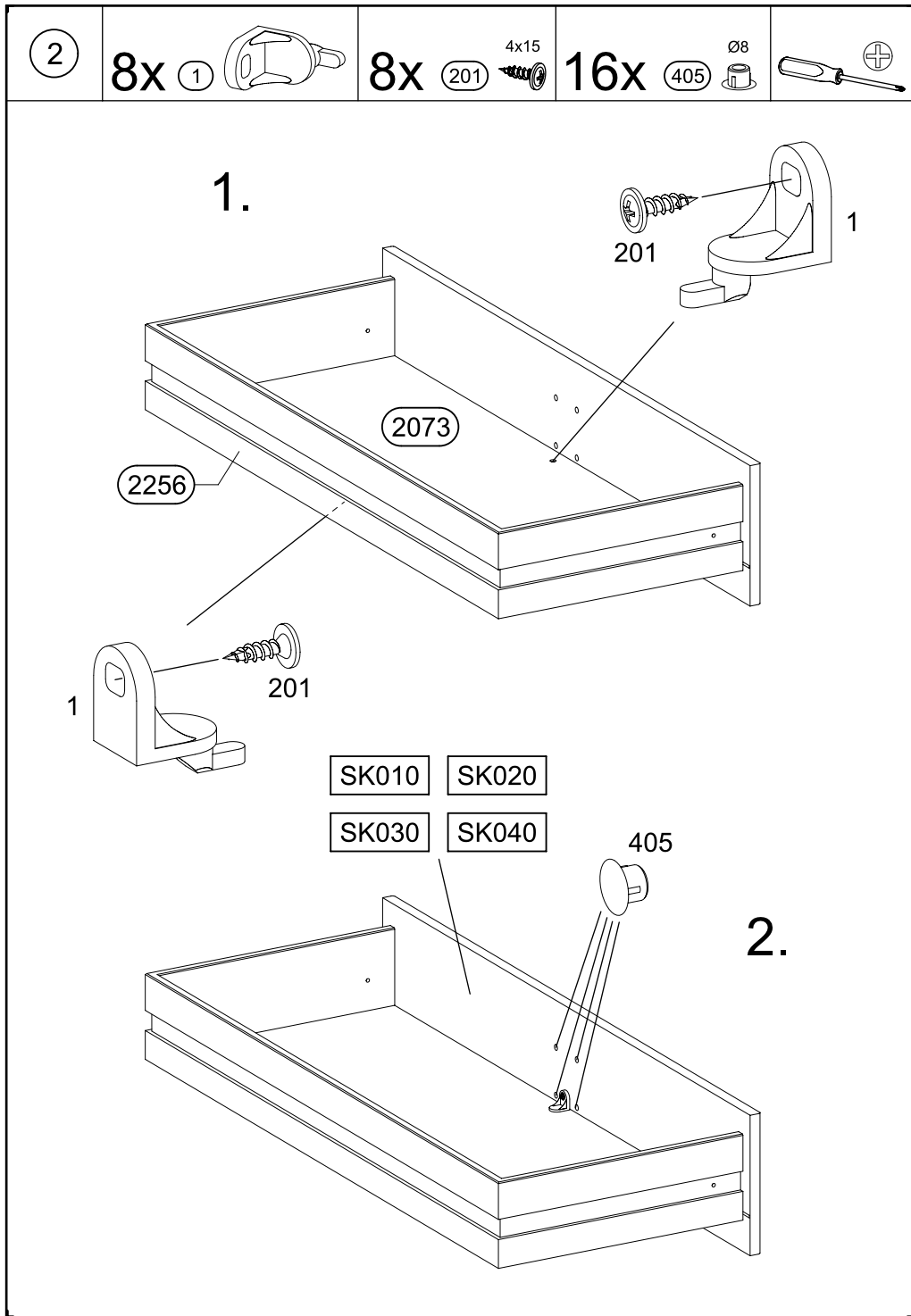


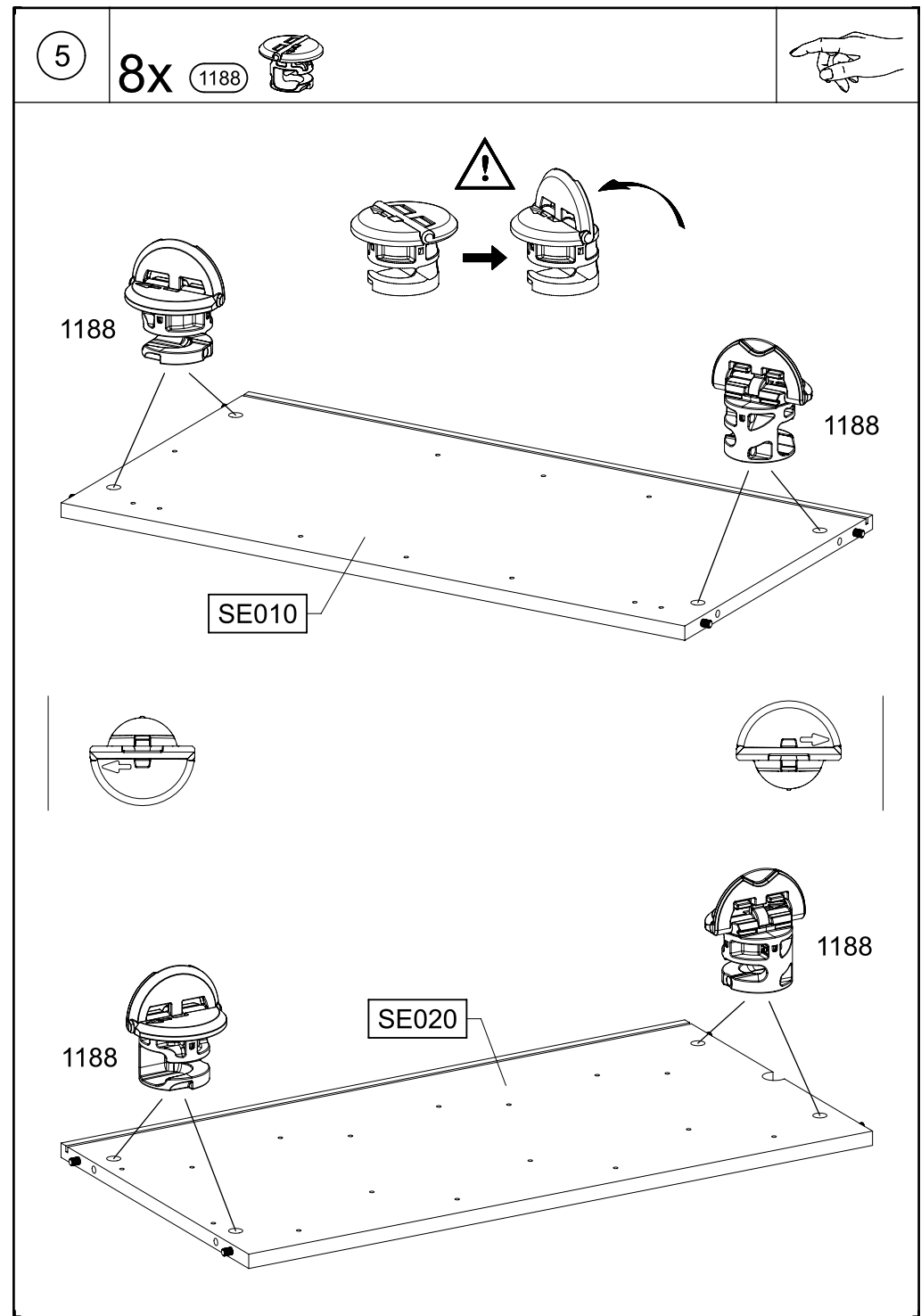
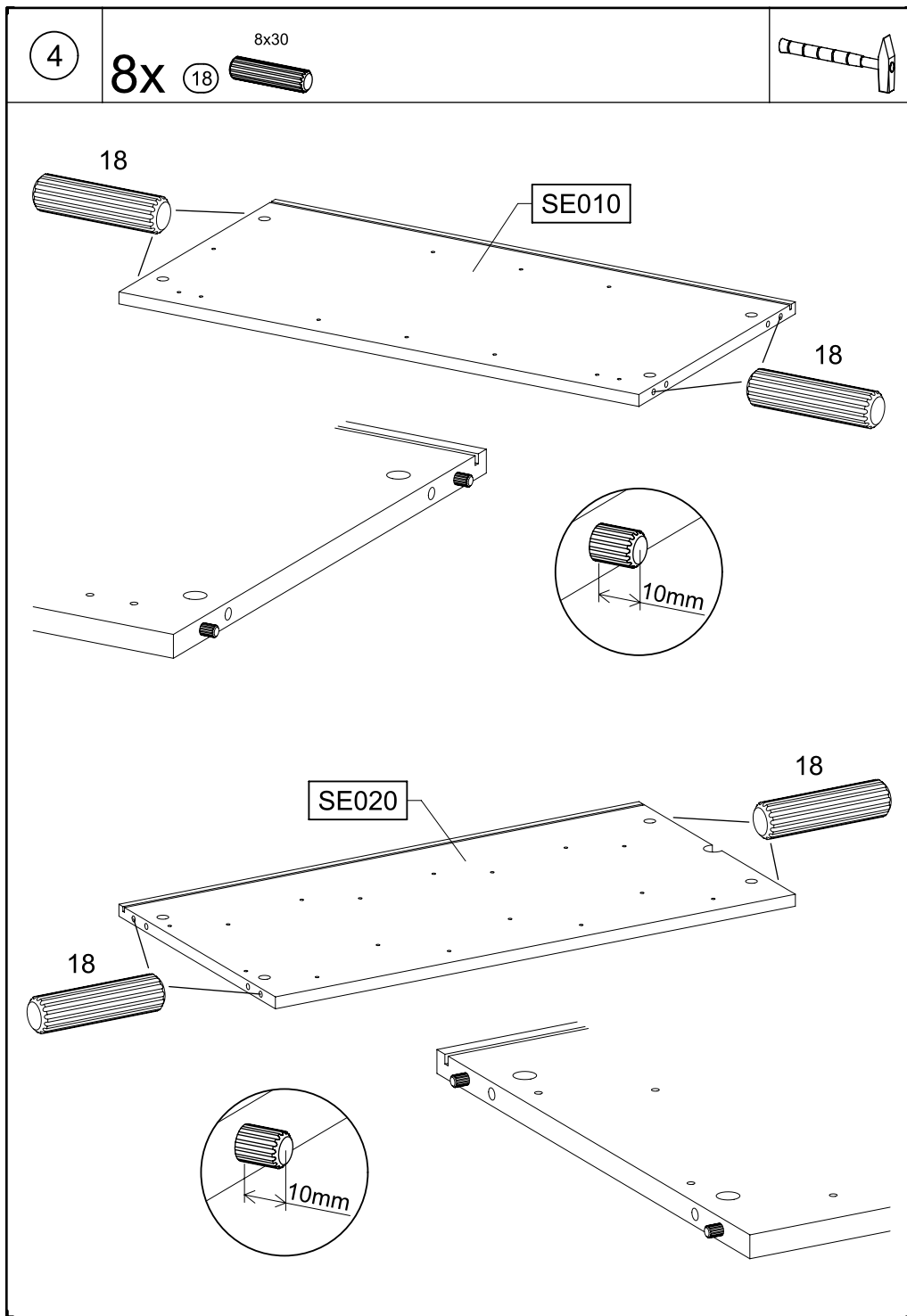
1147

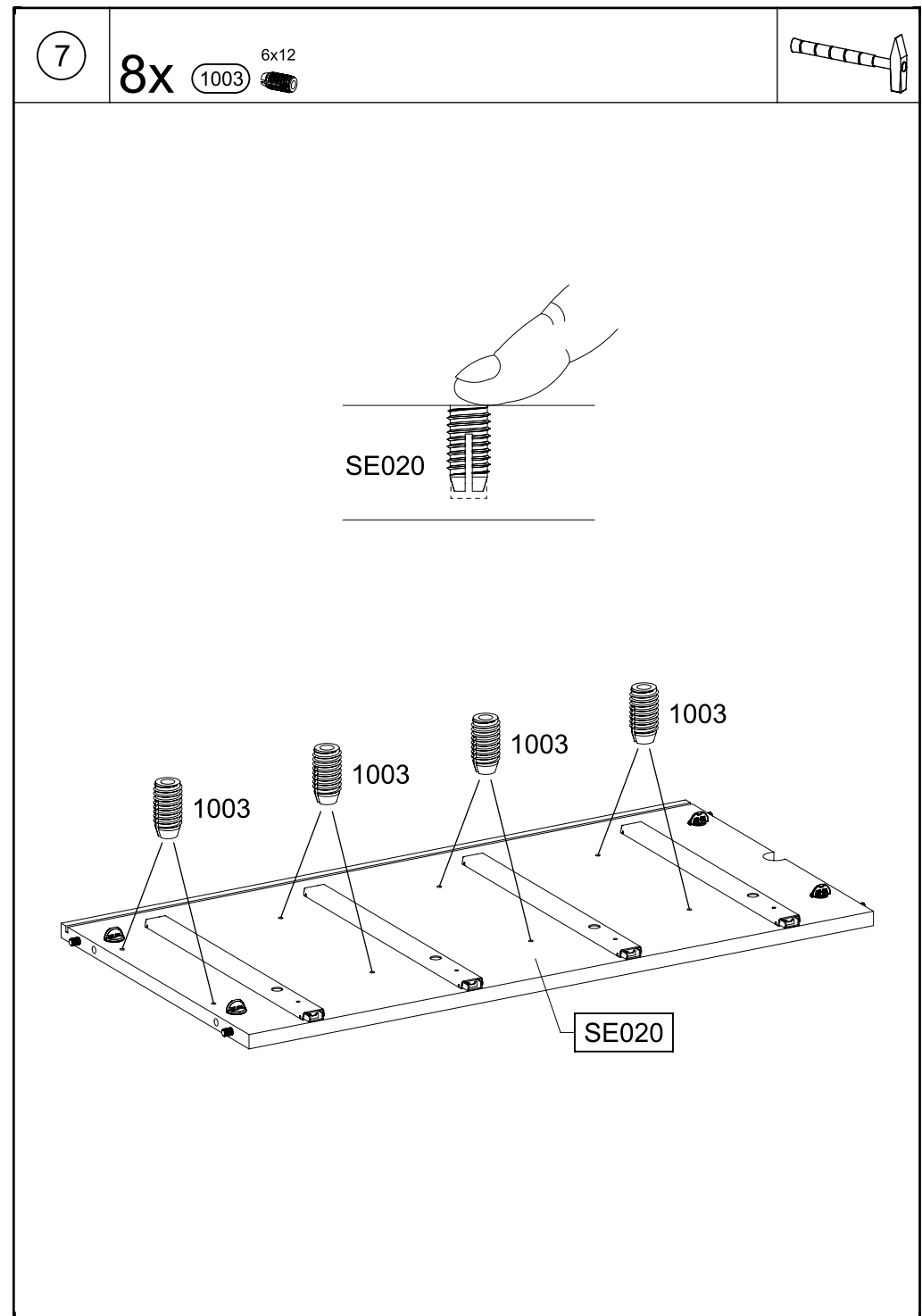
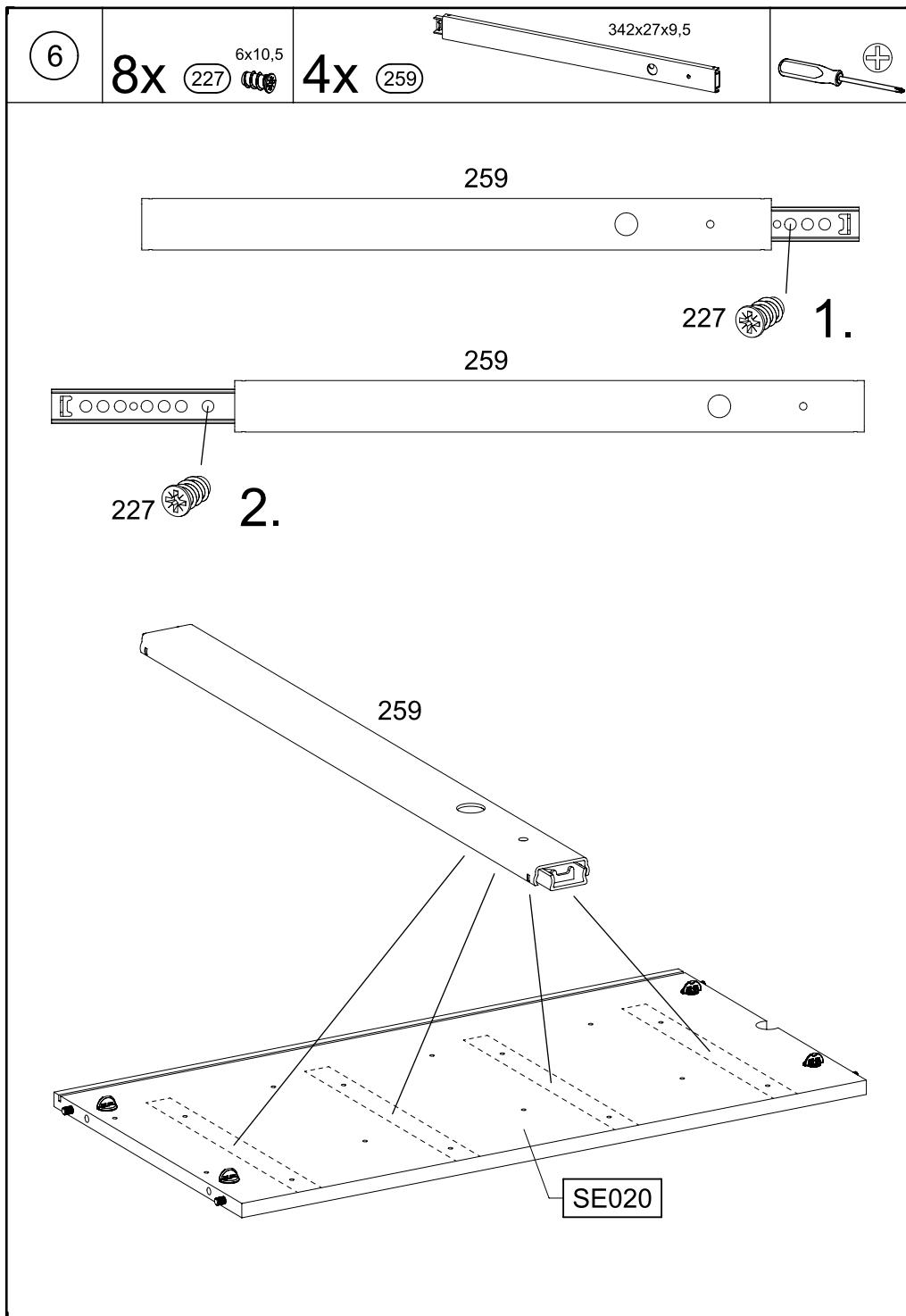






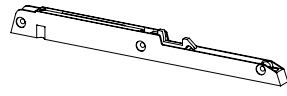






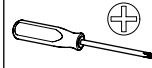
8

4x 1000

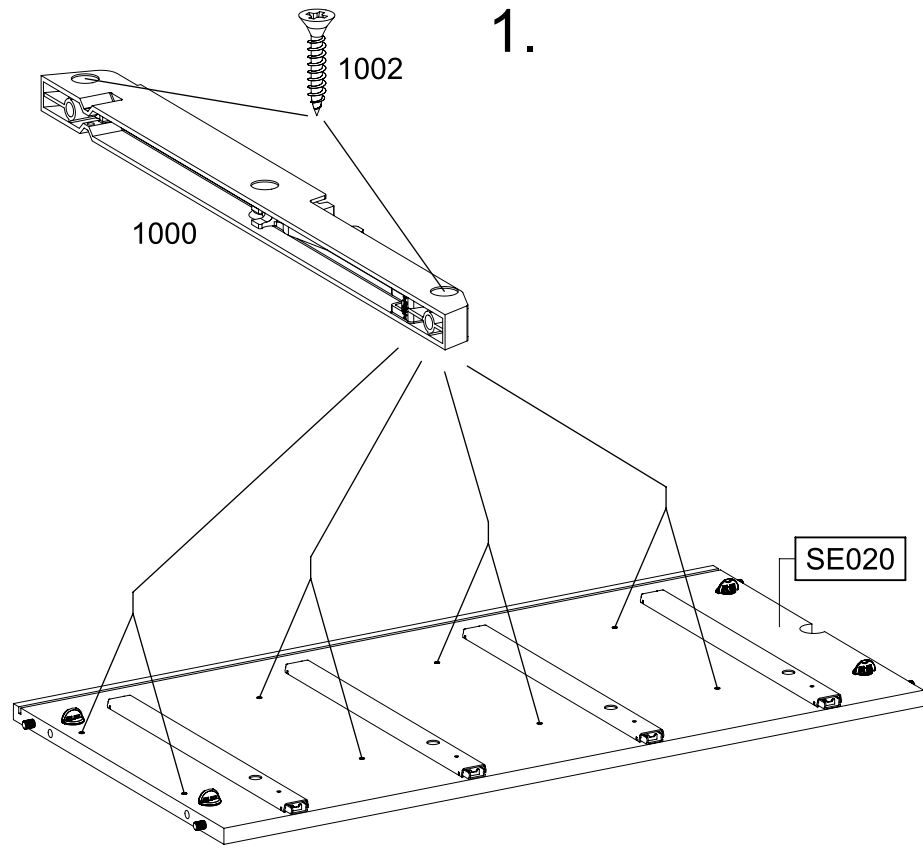


12x 1002

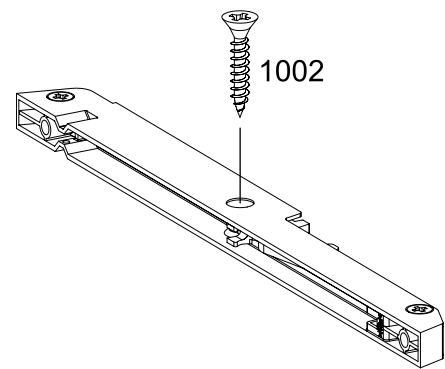
3,5x20



1.



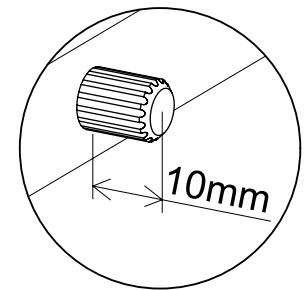
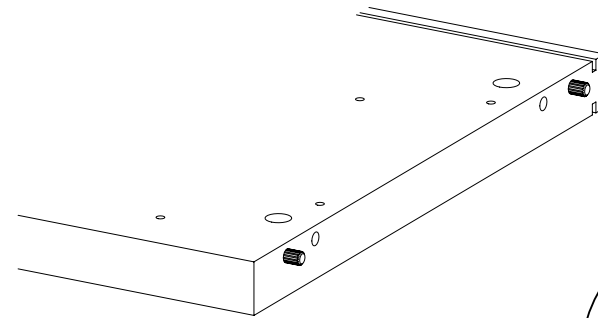
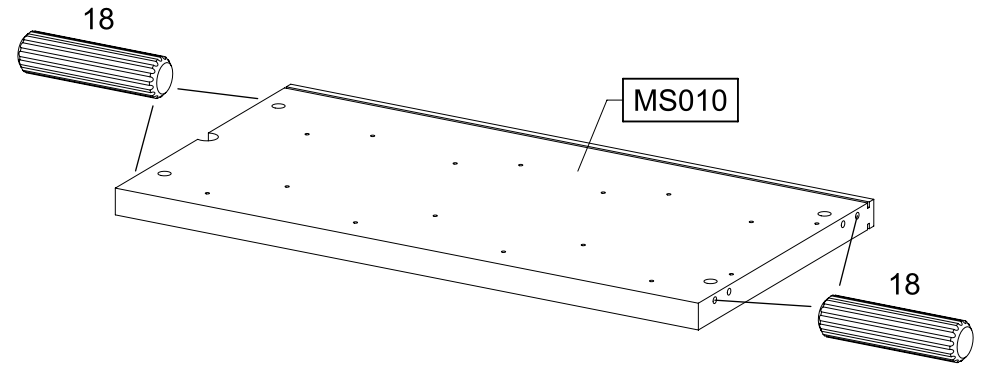
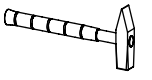
2.

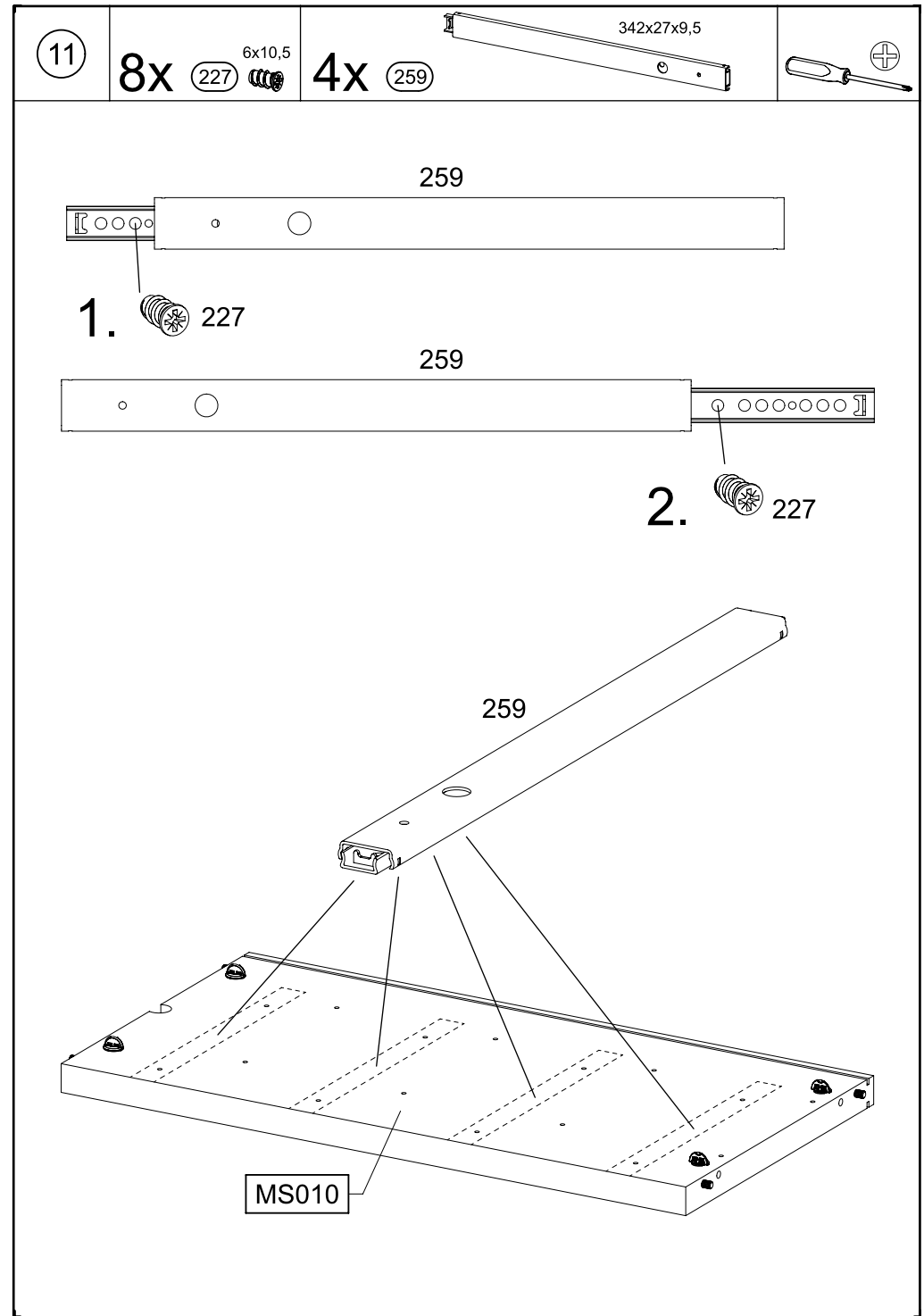
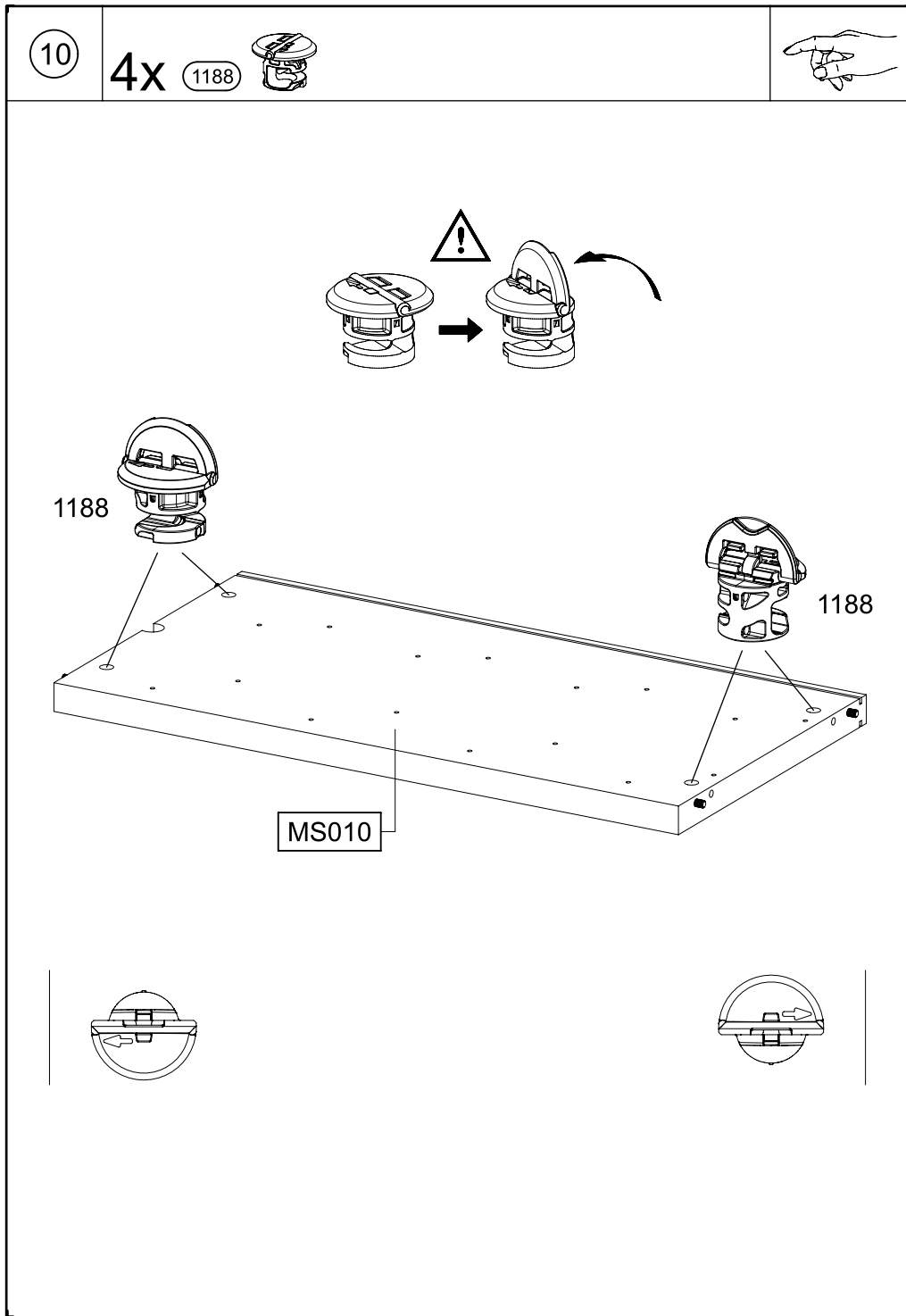


9

4x 18

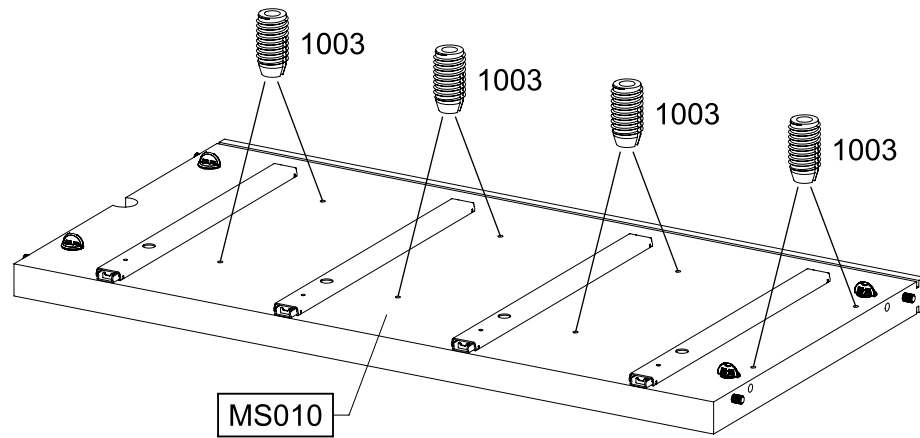
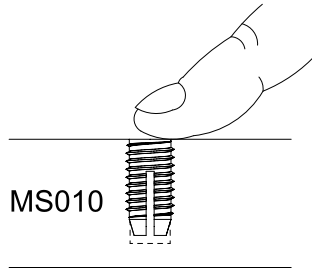
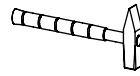
8x30





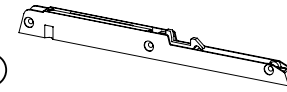
12

8x 1003 6x12

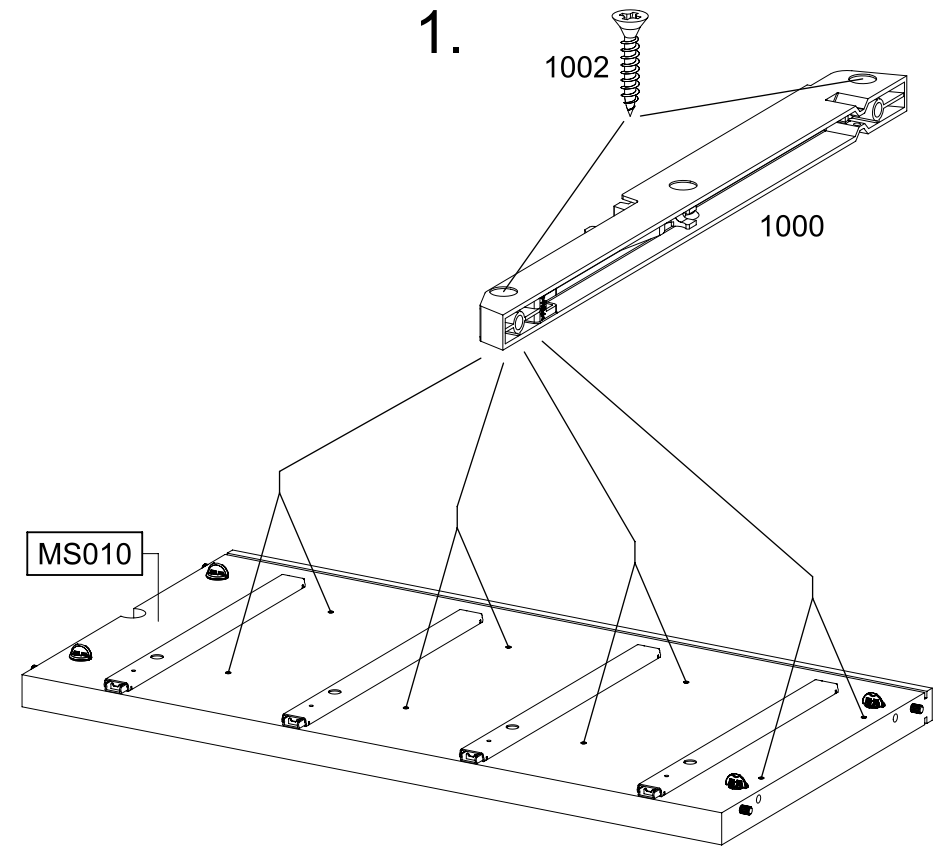
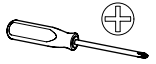


13

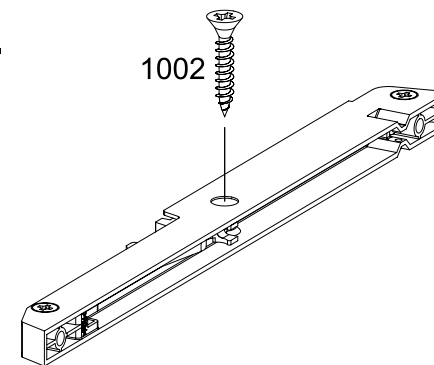
4x 1000



12x 1002 3,5x20

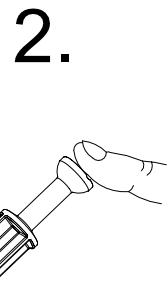
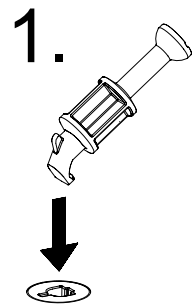
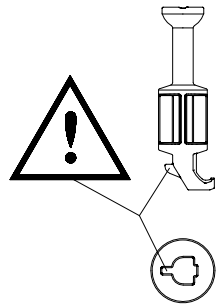
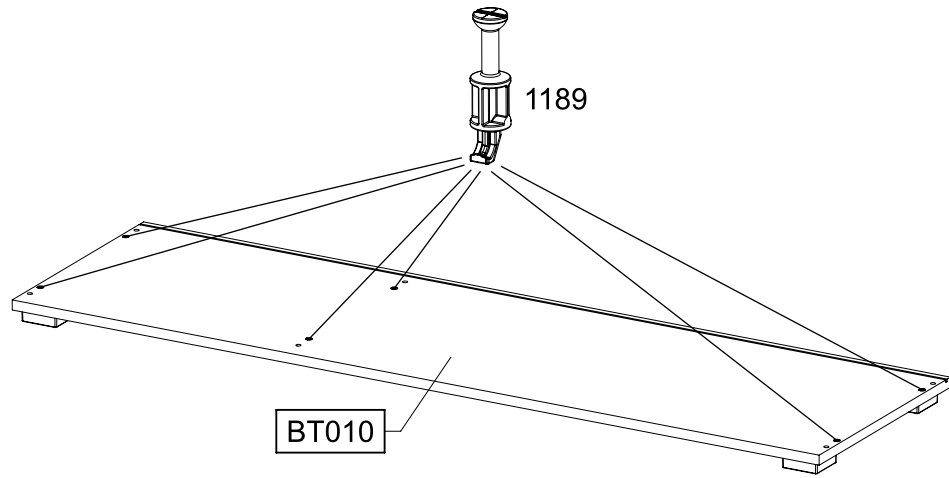


2.

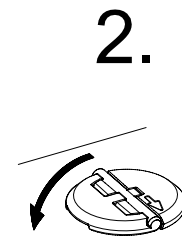
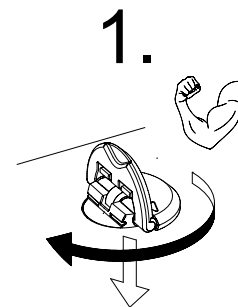
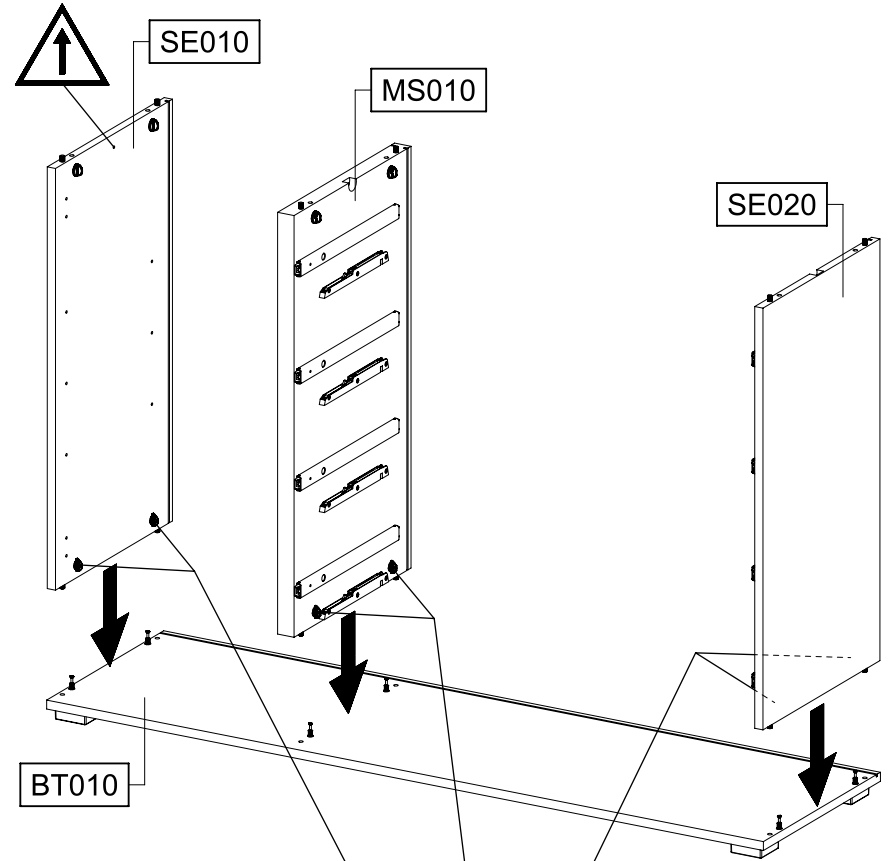


14

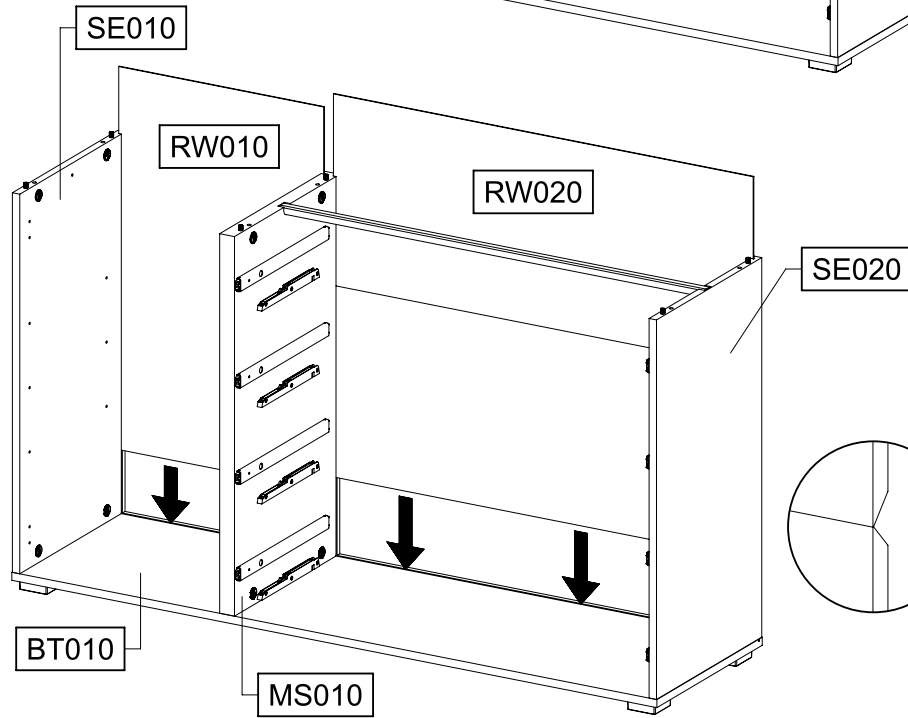
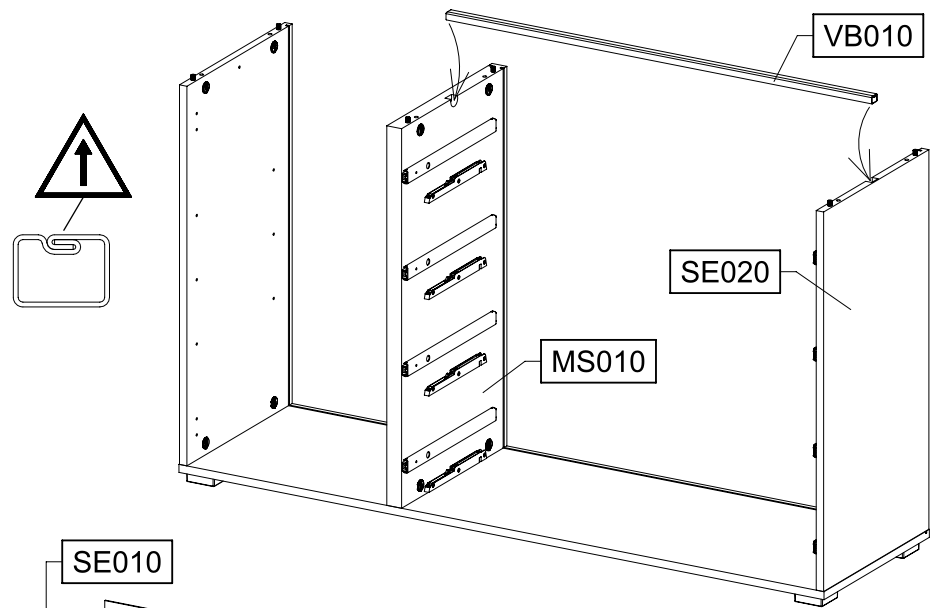
6x 1189



15

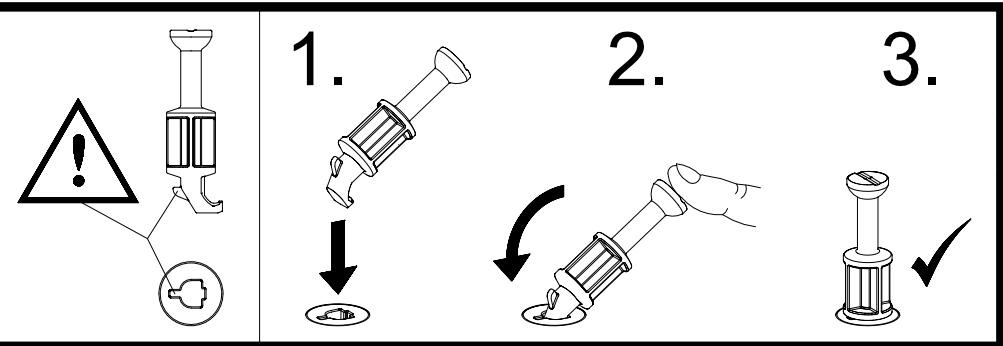
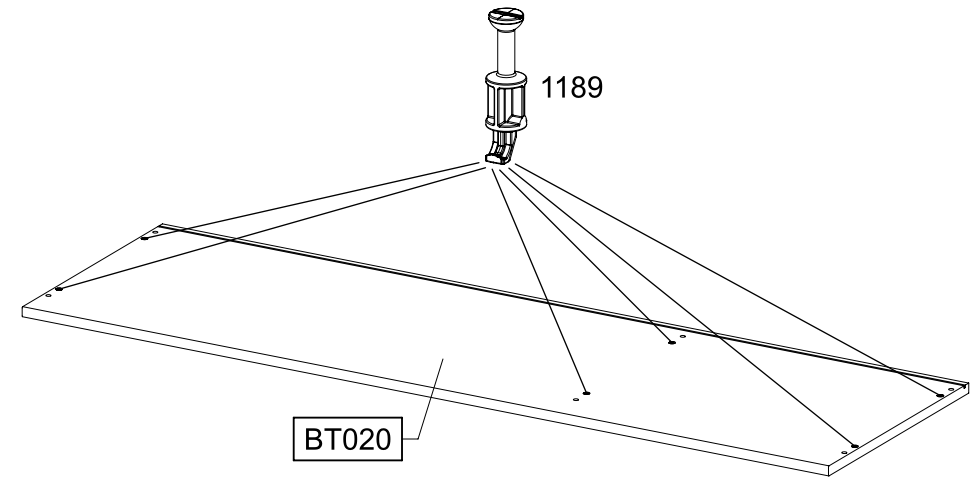
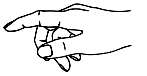


16

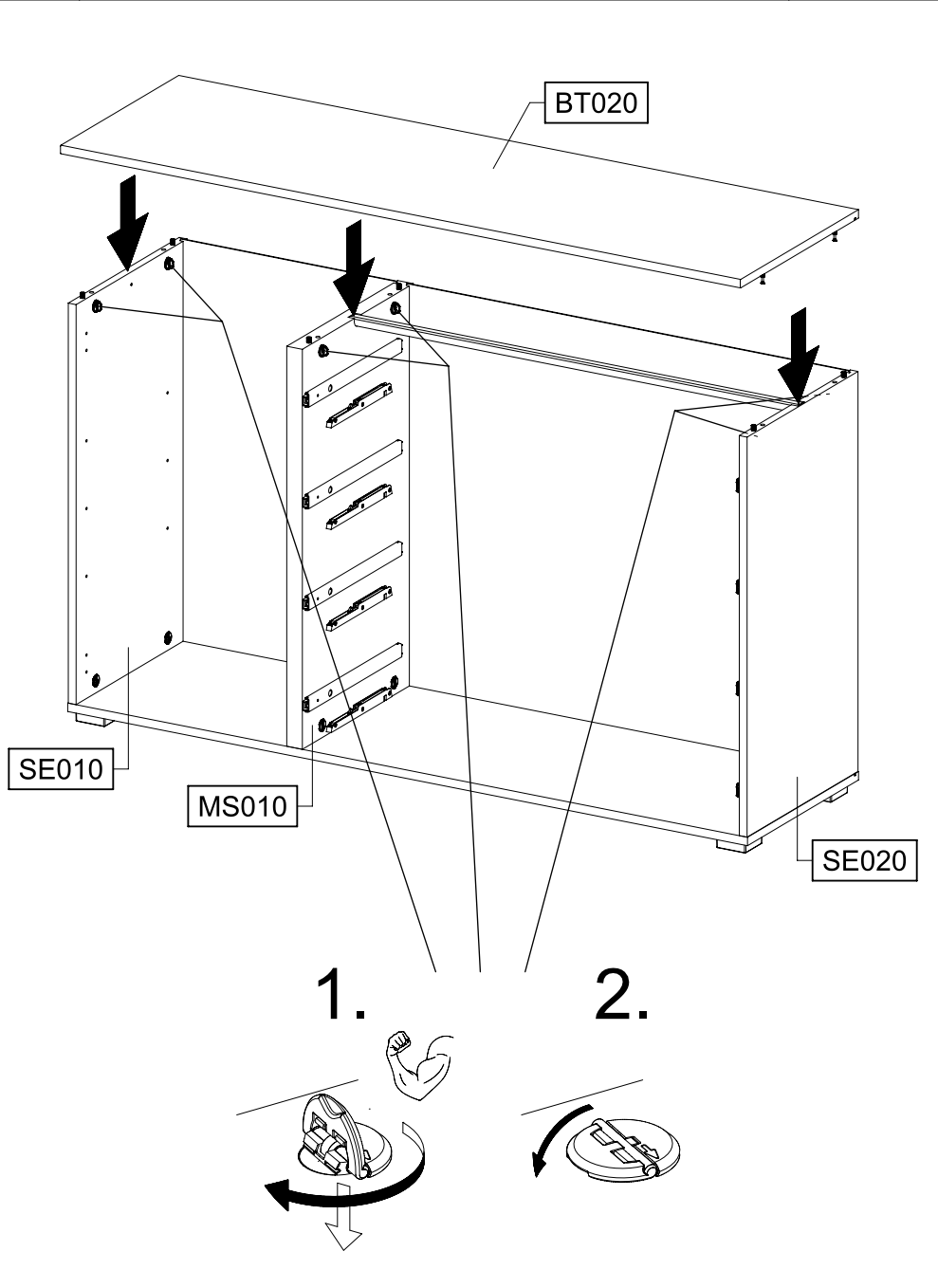


17

6x 1189

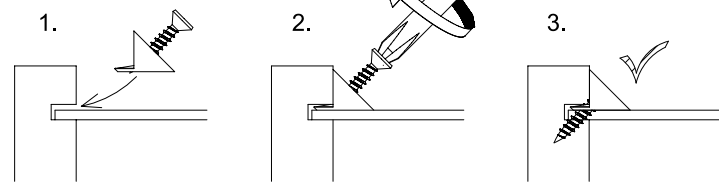
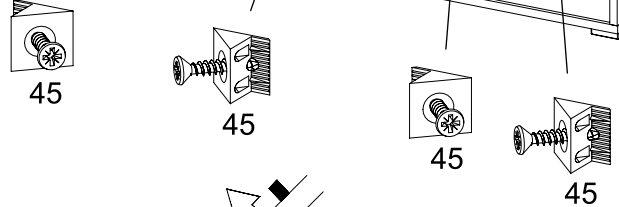
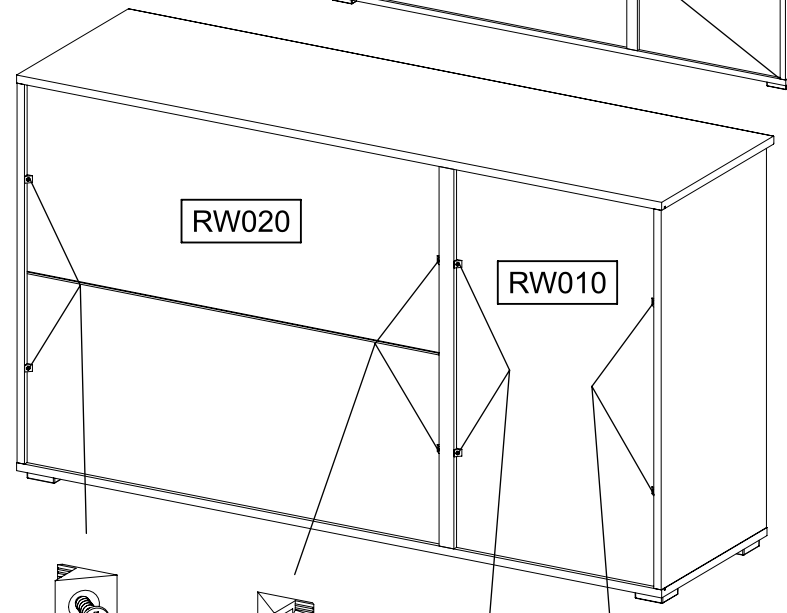
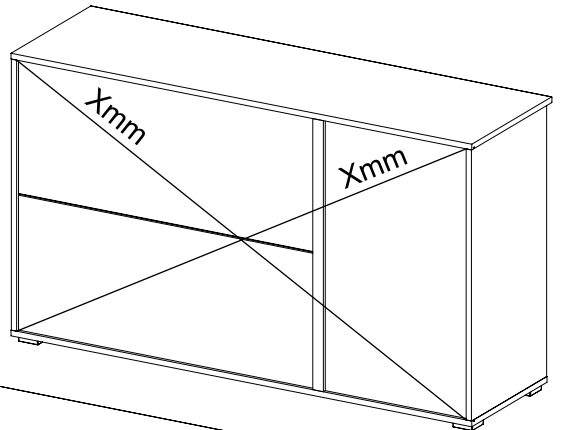
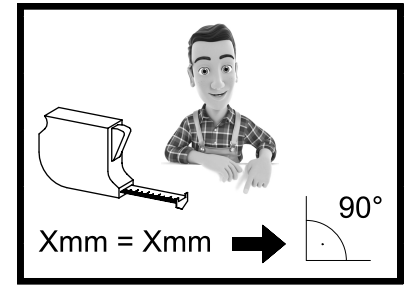
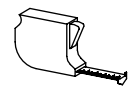
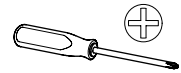


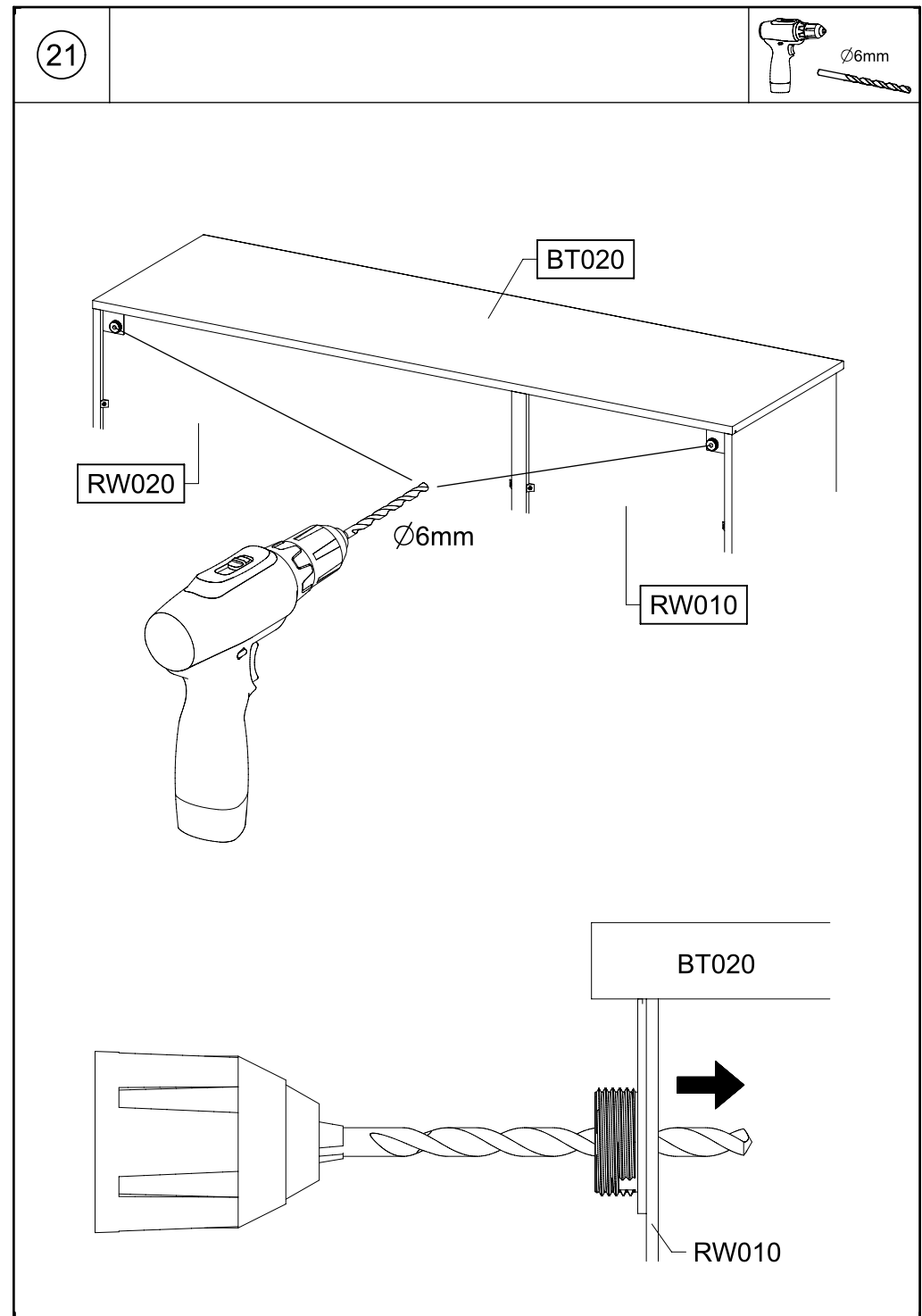
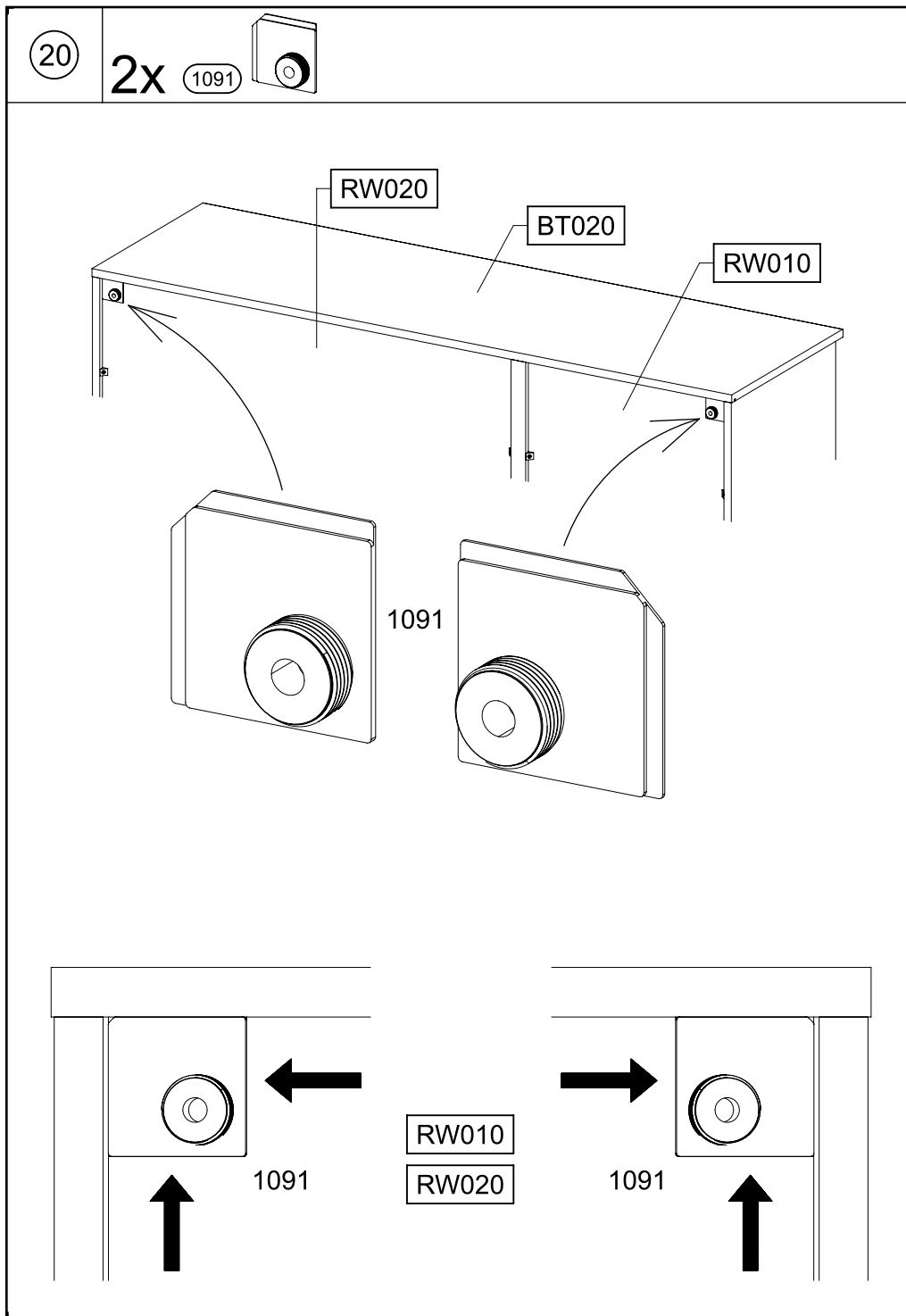
18



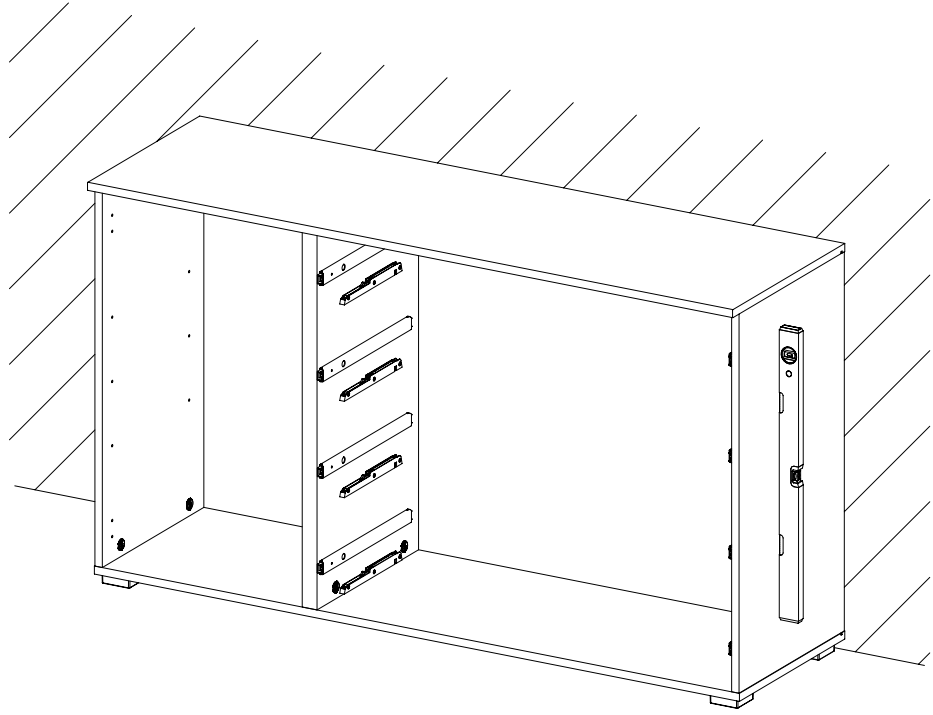
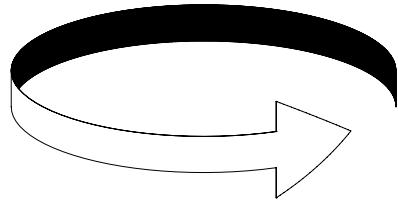
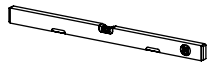
19

8x 45





22

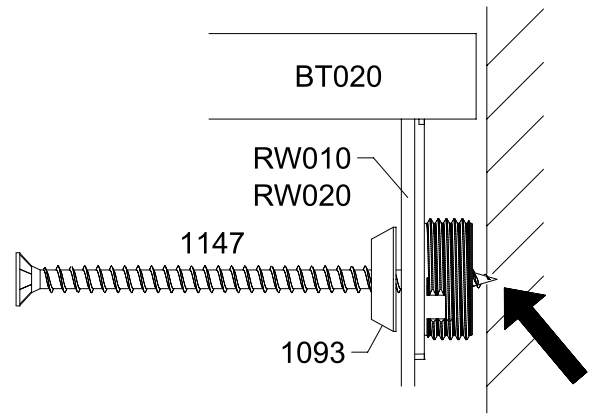
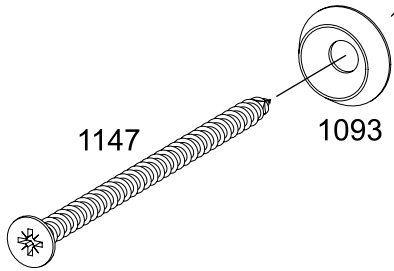
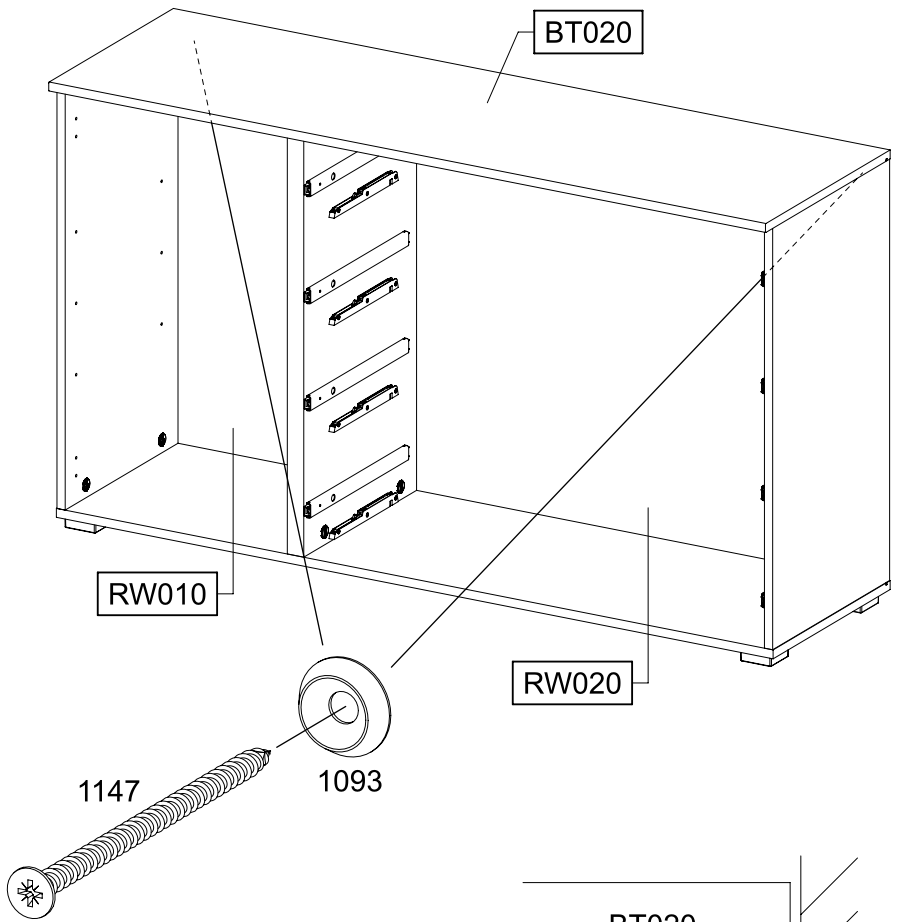
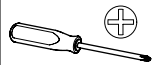
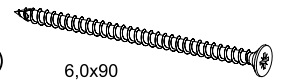


23

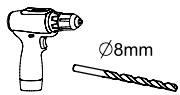
2x 1093

2x 1147

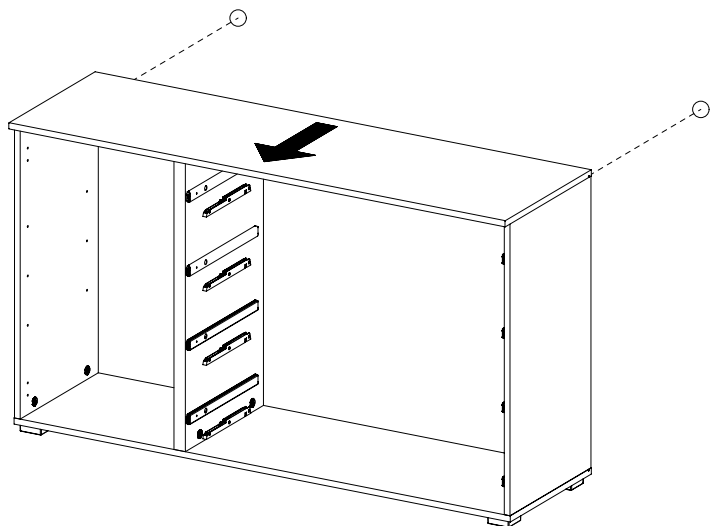
6,0x90



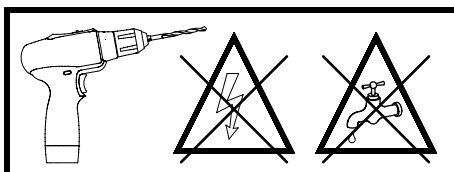
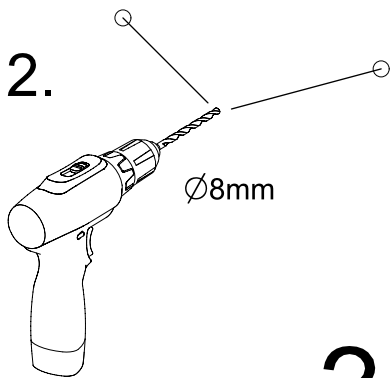
24



1.

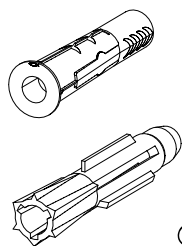
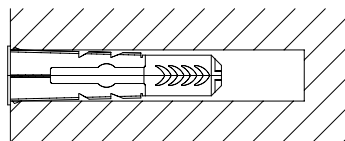


2.



?

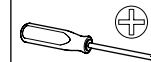
3.



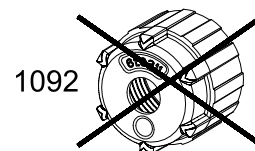
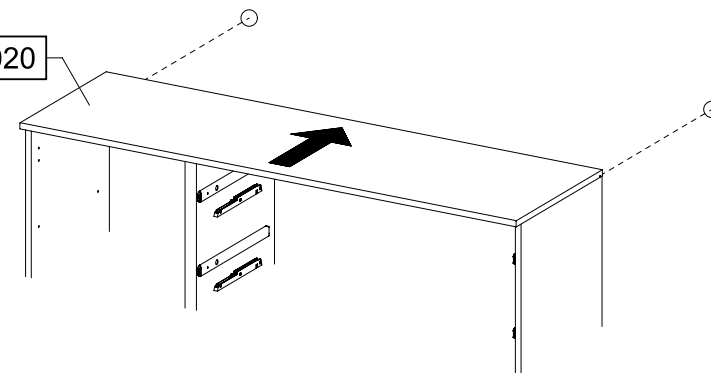
Ø8mm

25

2x 1092



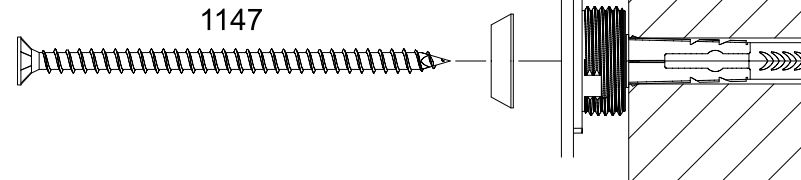
BT020



BT020

1093

1147



10-15mm

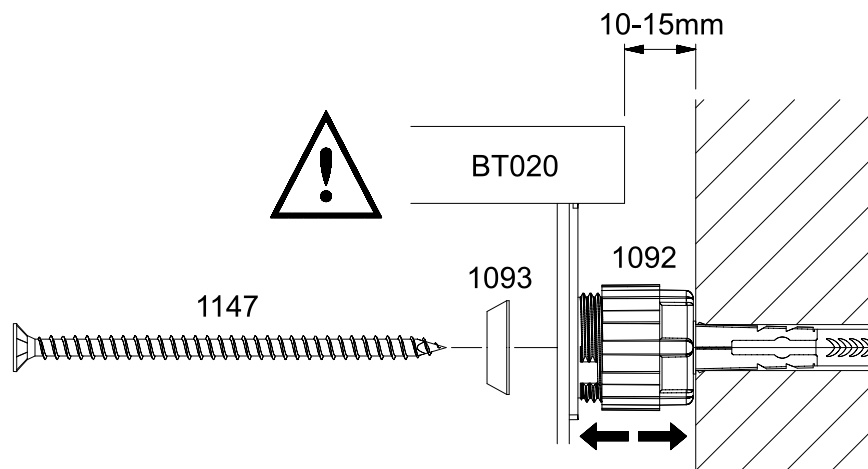


BT020

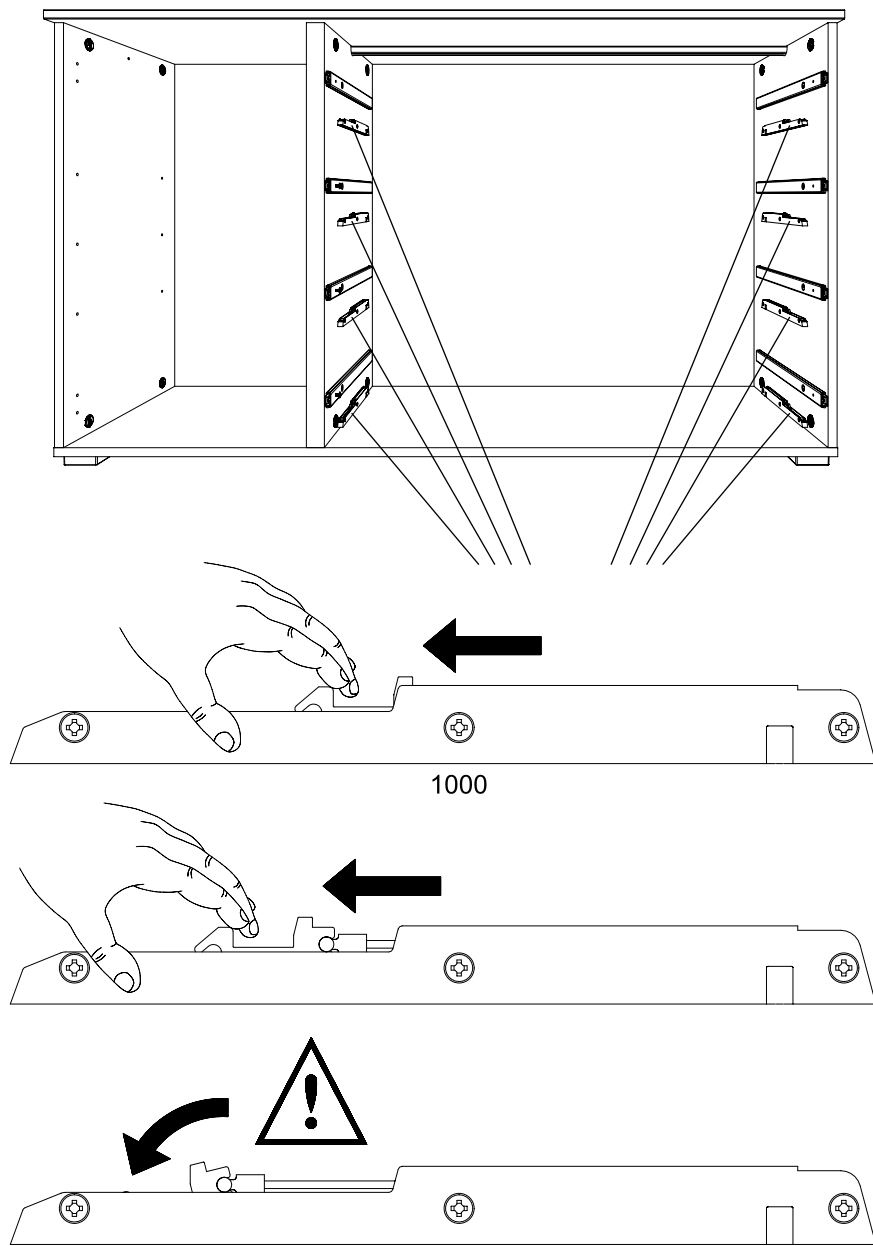
1093

1092

1147



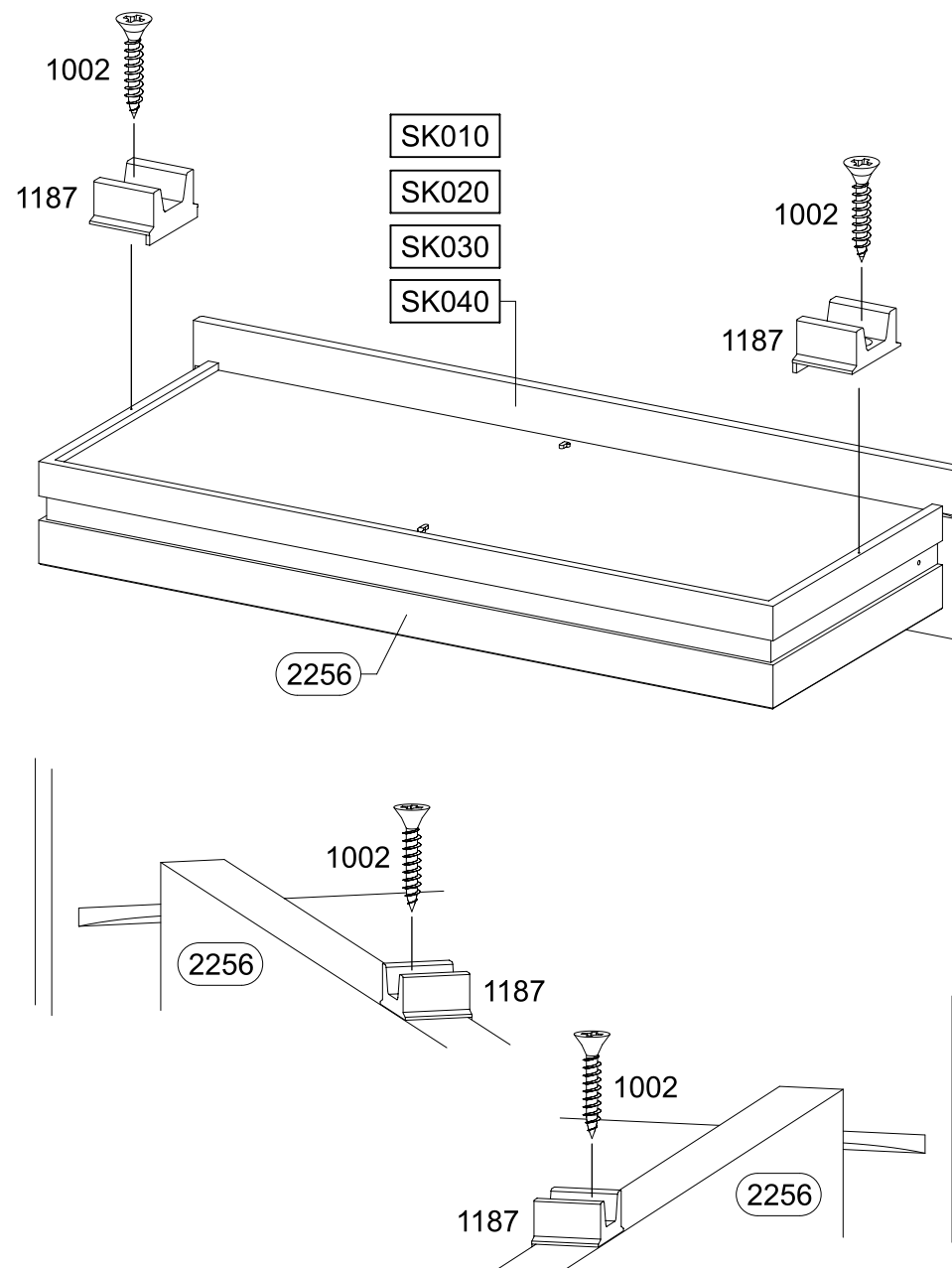
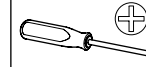
26



27

8x 1002 3,5x20

8x 1187

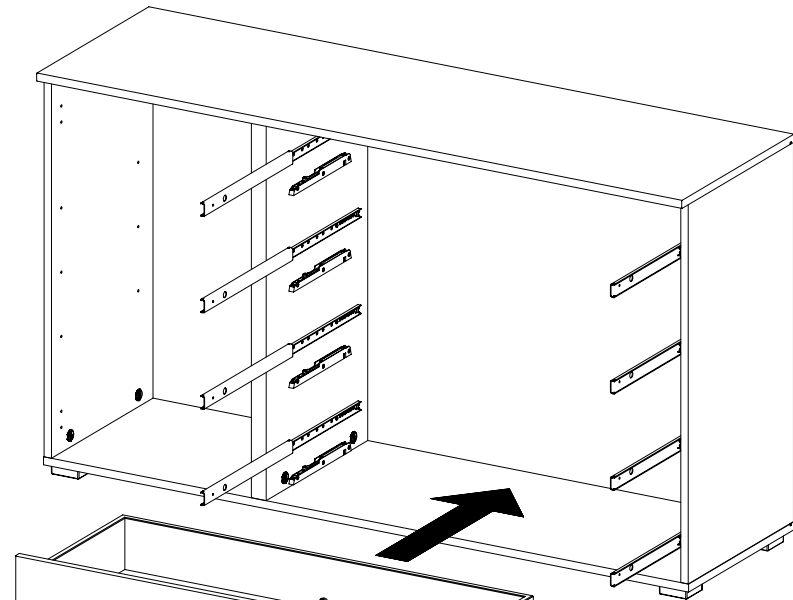
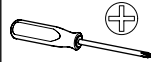


28

8x

568

M4x9



SK010

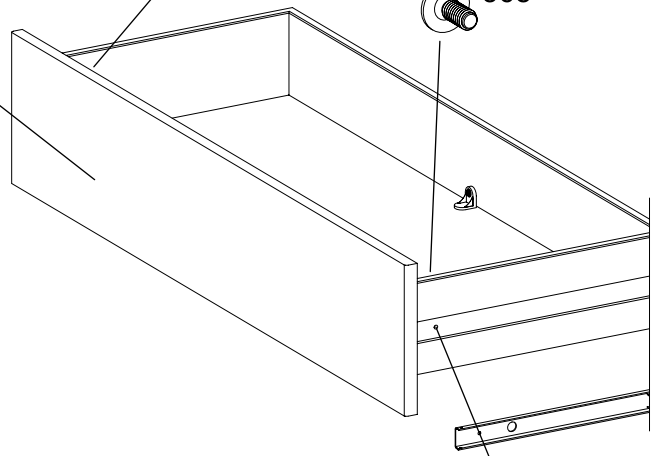
SK020

SK030

SK040

568

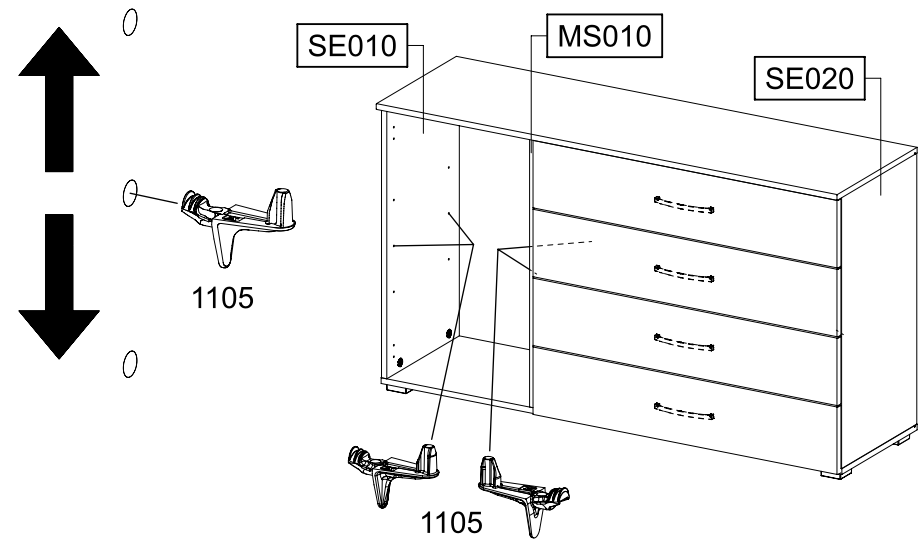
568



29

4x

1105



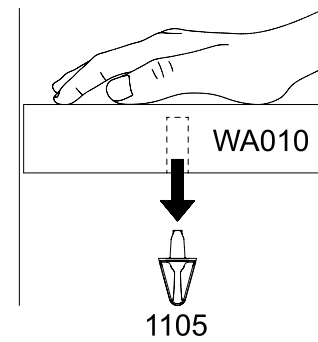
SE010

MS010

SE020

1105

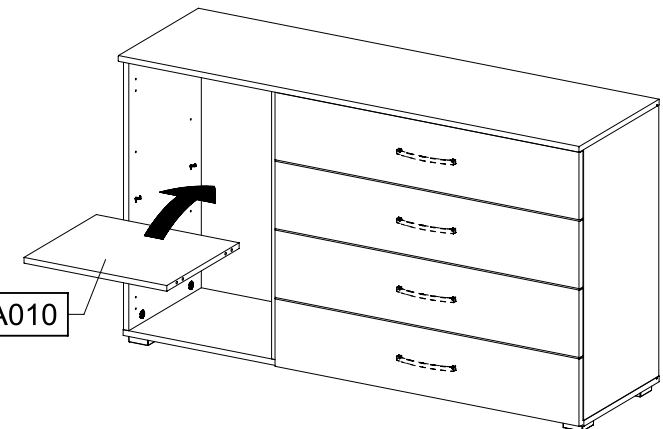
1105



WA010

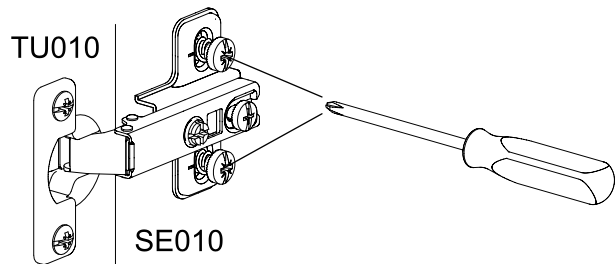
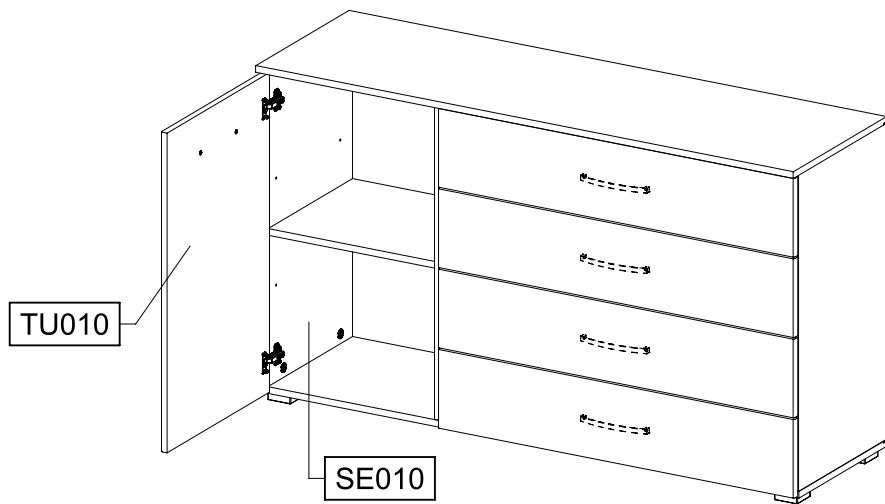
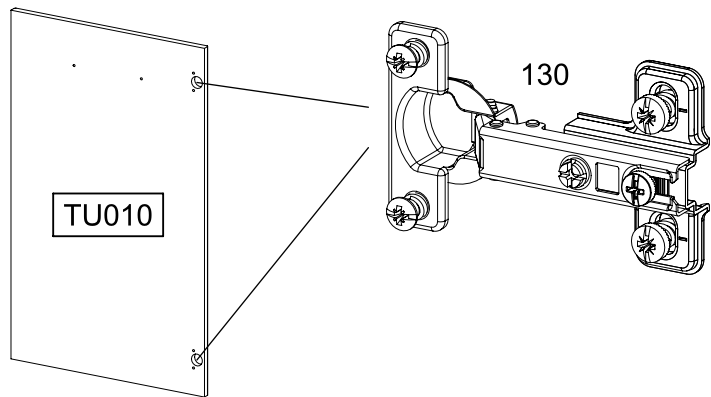
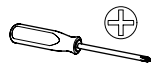
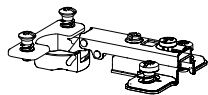
1105

WA010



30

2x 130



31

