

M2613_02 rauch

Ø6mm
Ø8mm

2h

M2613

M2613

SE010

RW010

WA010

MS010

MS020

BT010

TU010

2255

2072

SK010 SK020 SK030 SK040

M2613

BT020

RW010

WA010

MS010

MS020

BT010

RW010

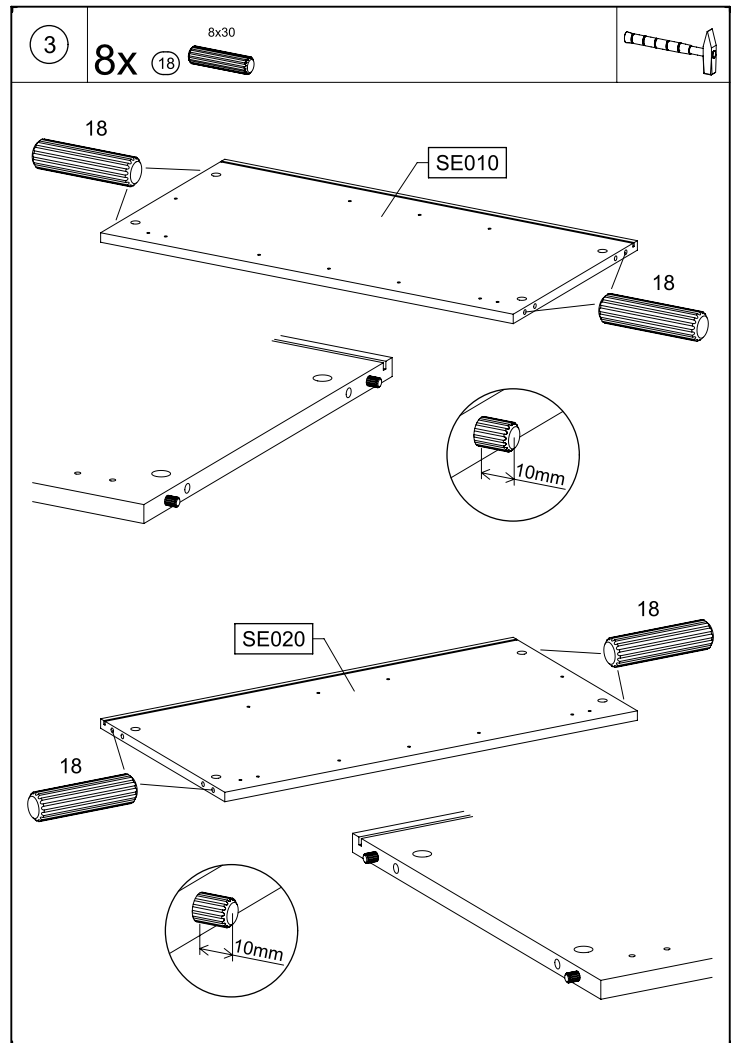
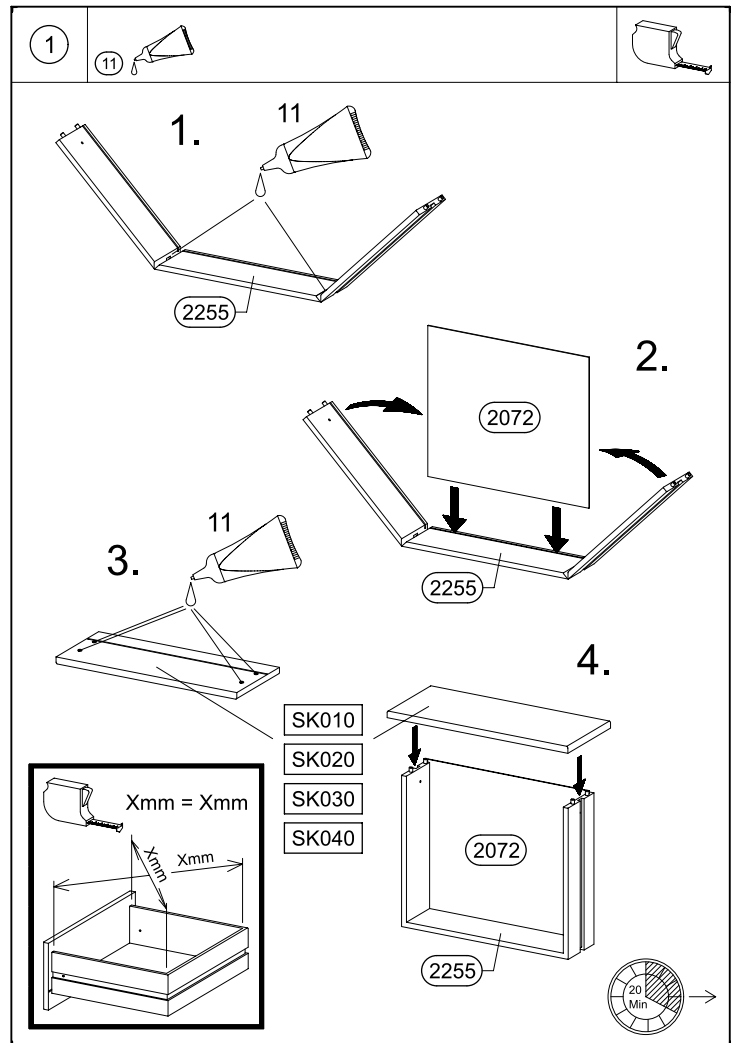
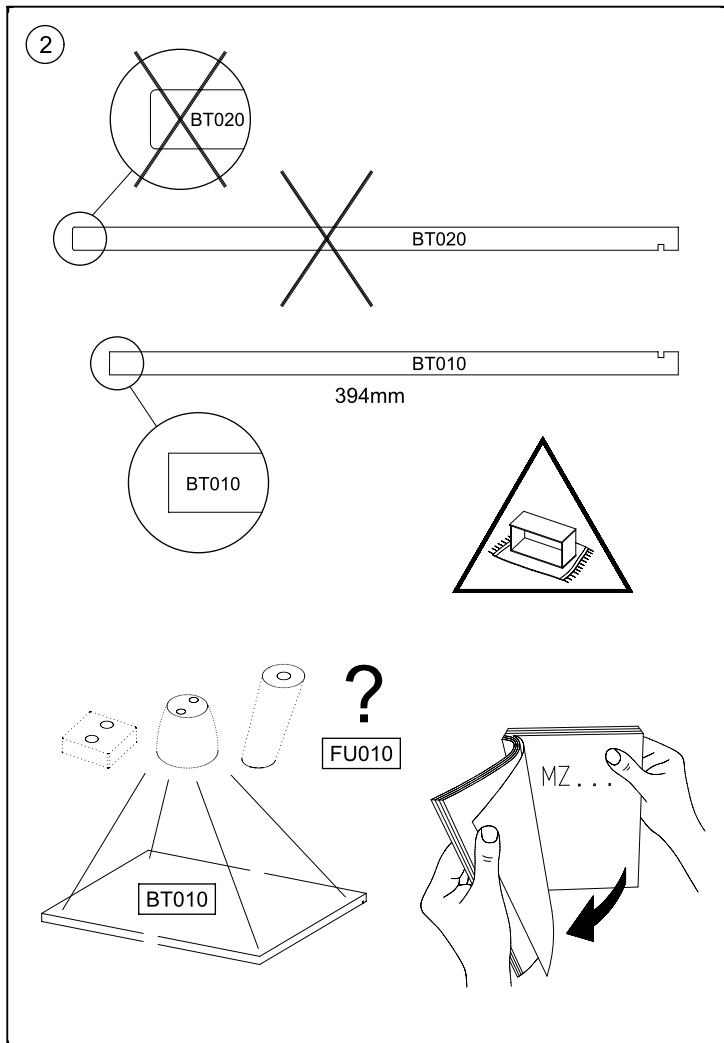
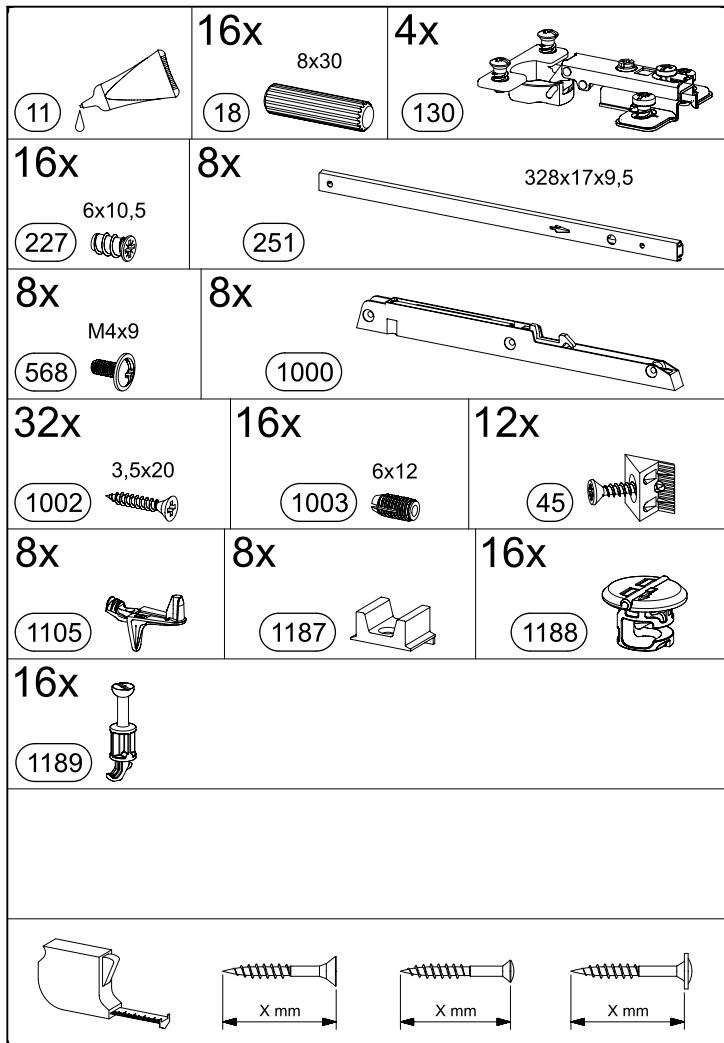
WA010

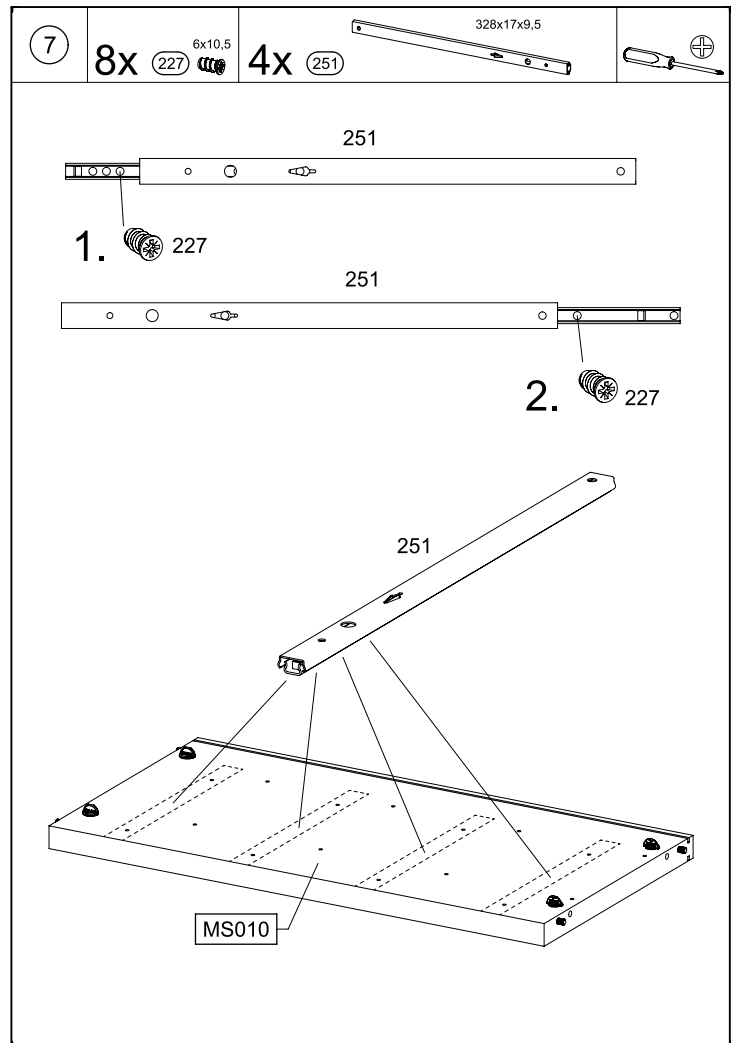
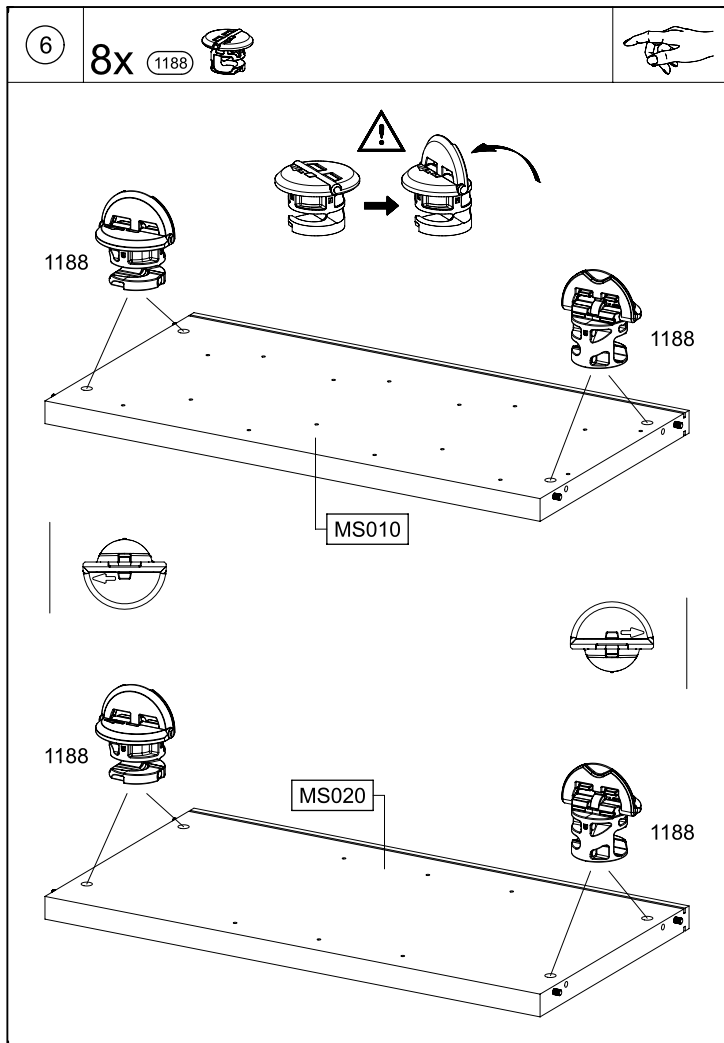
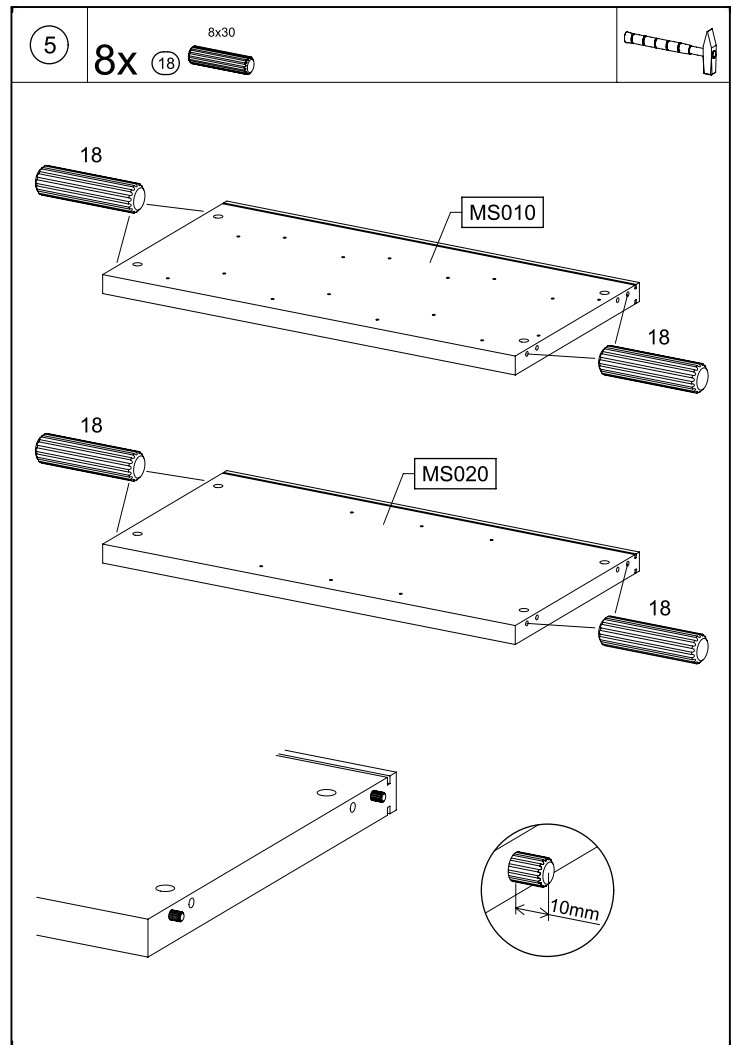
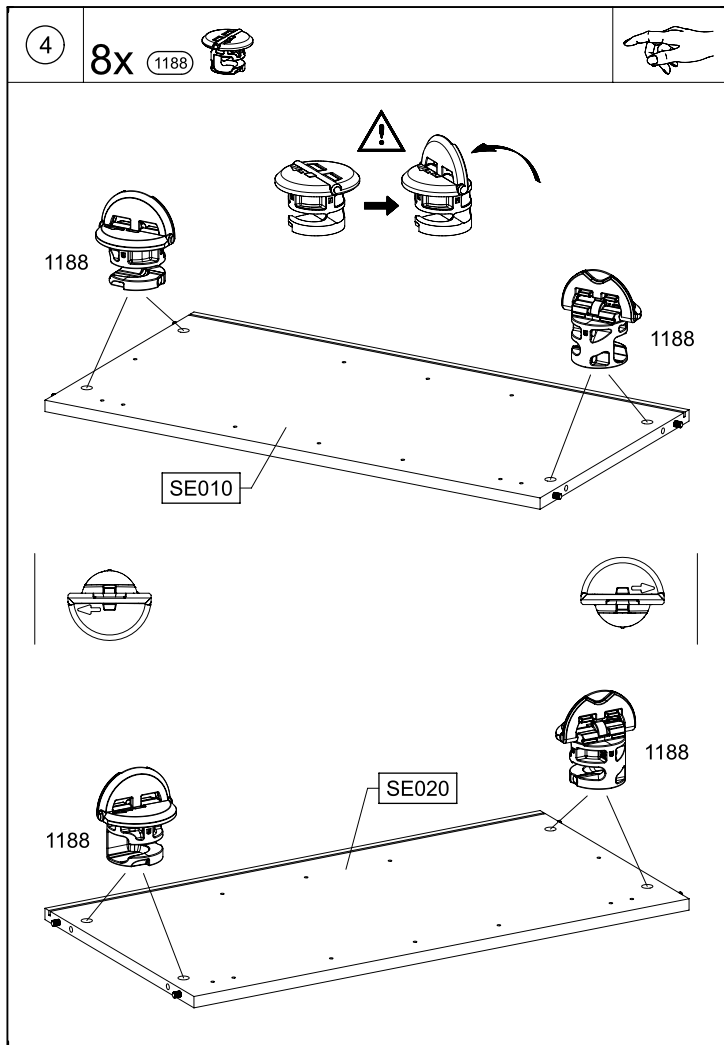
SE020

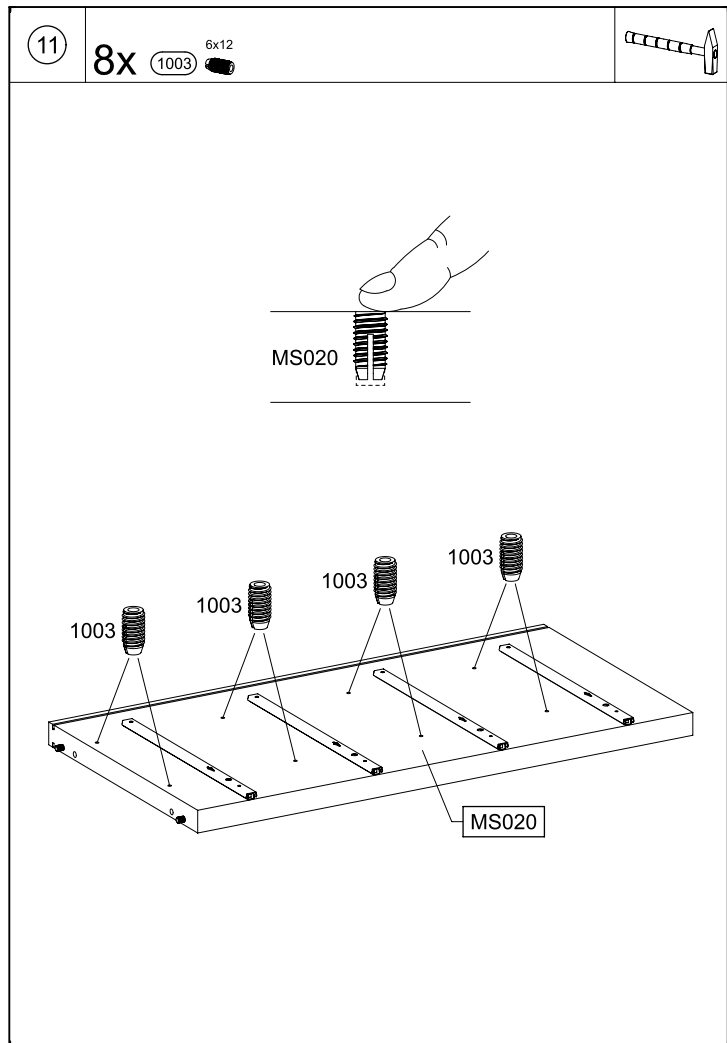
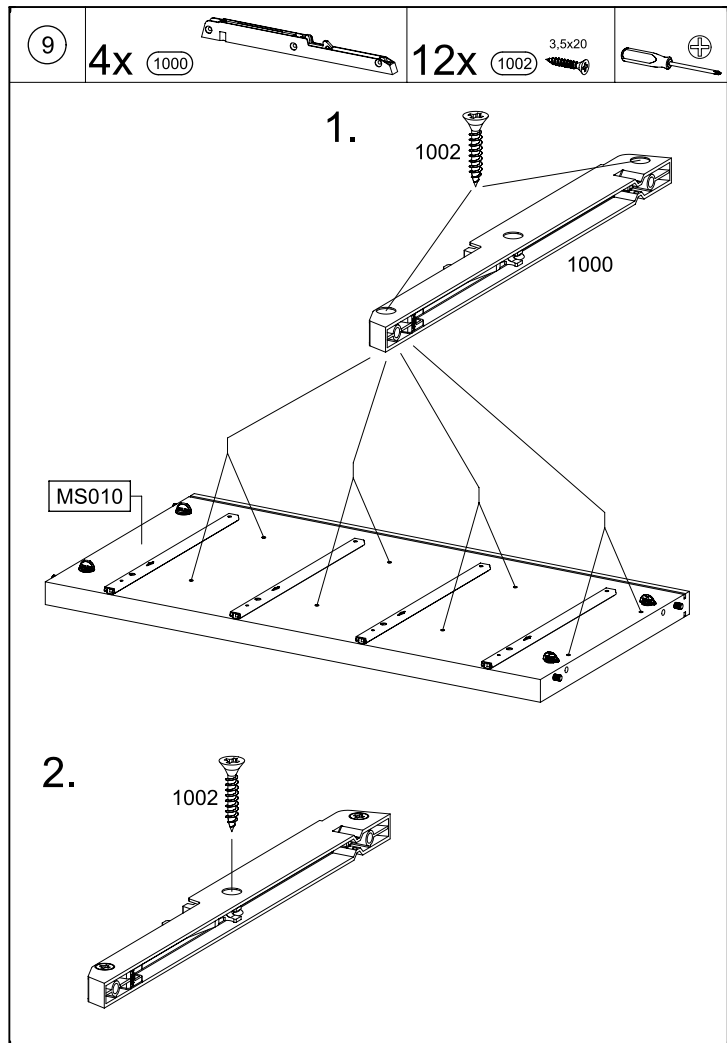
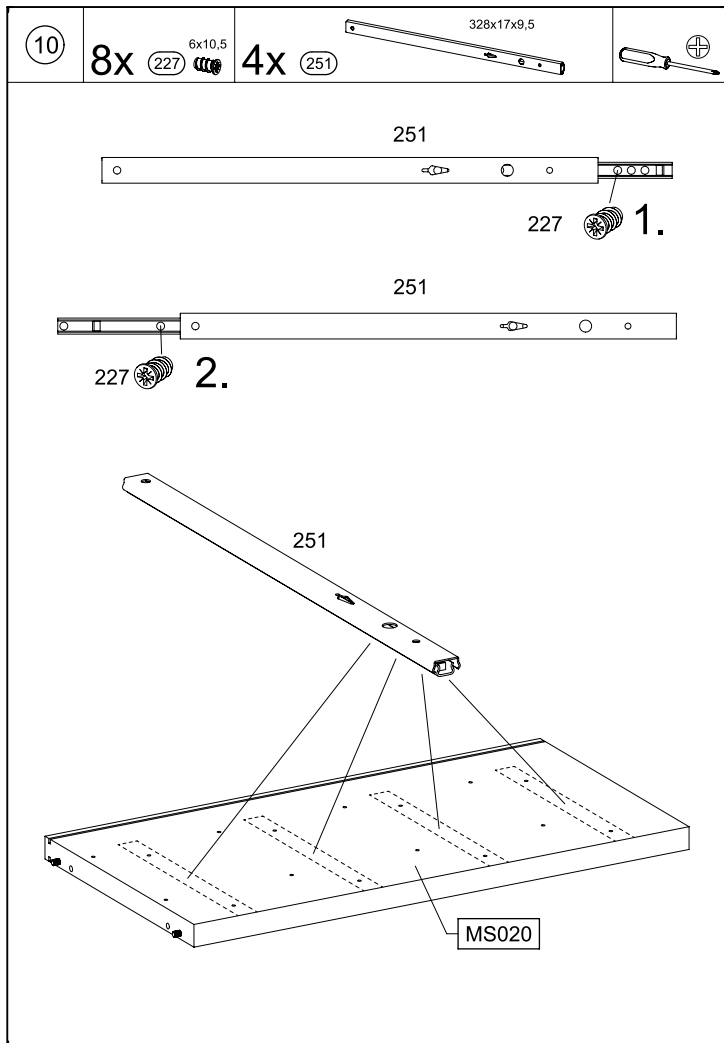
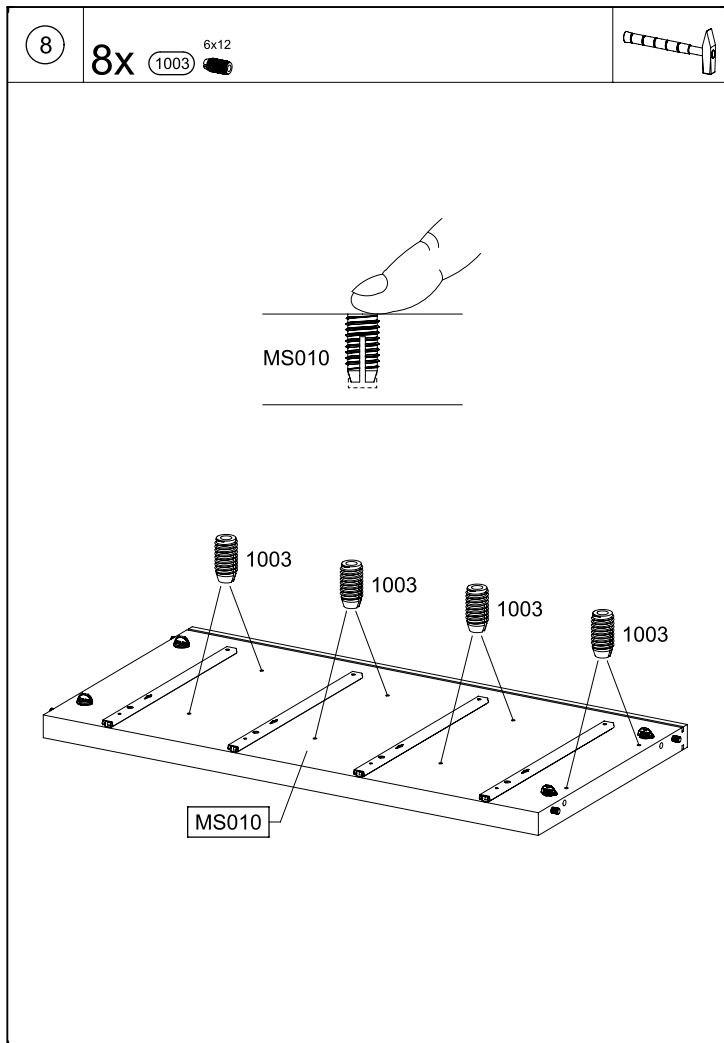
FU010

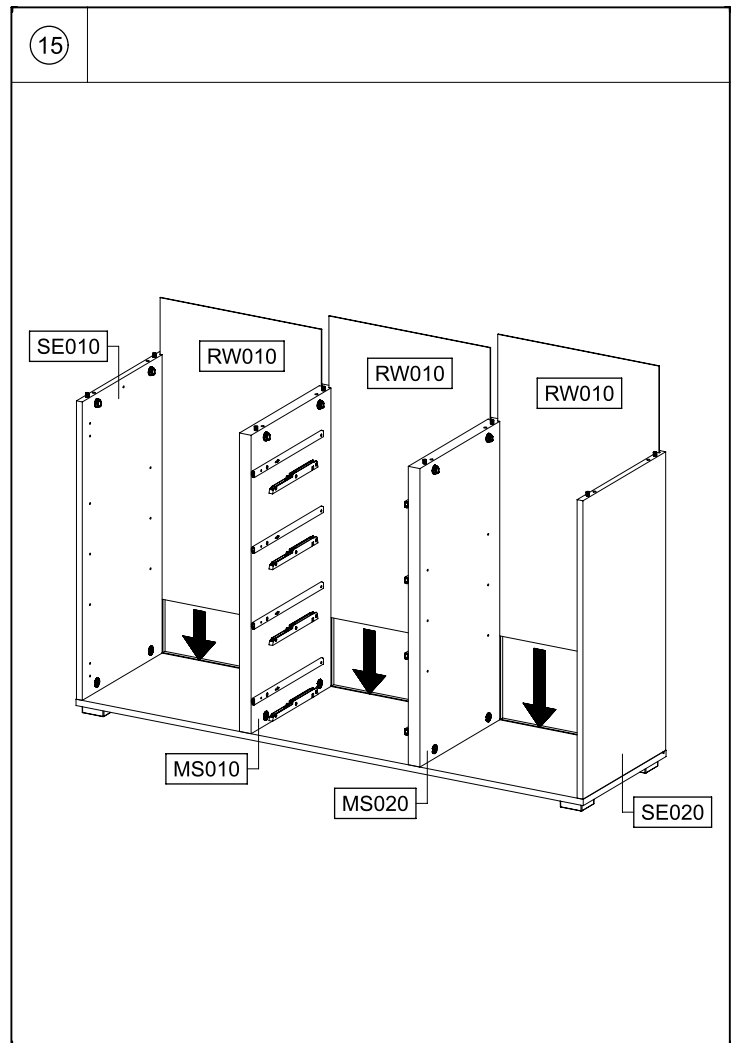
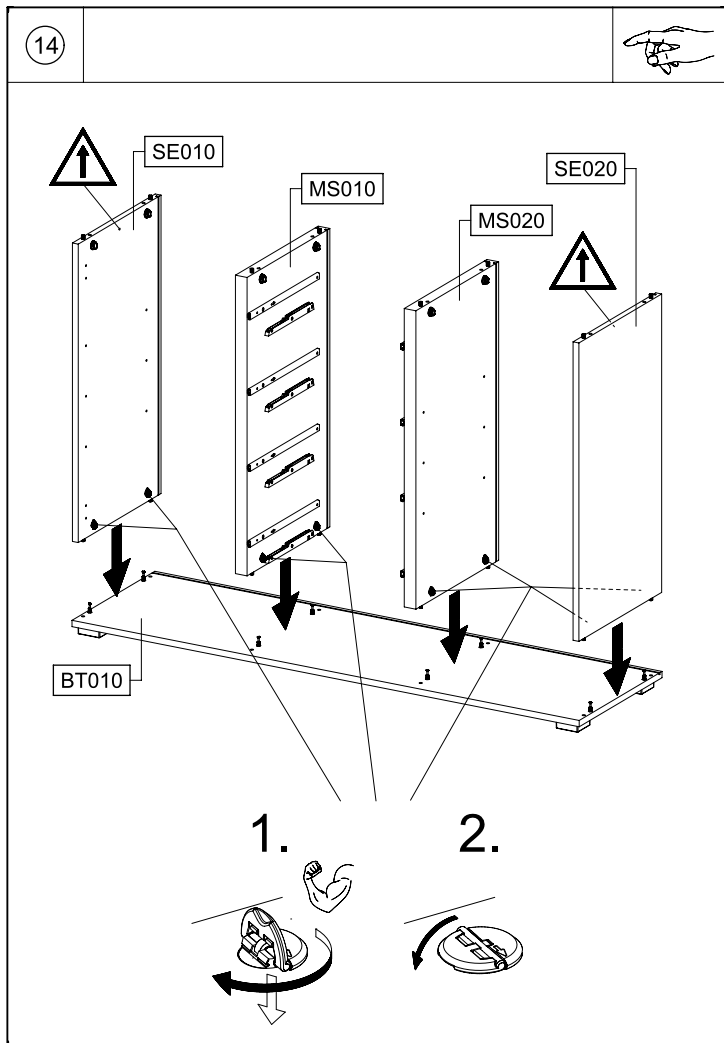
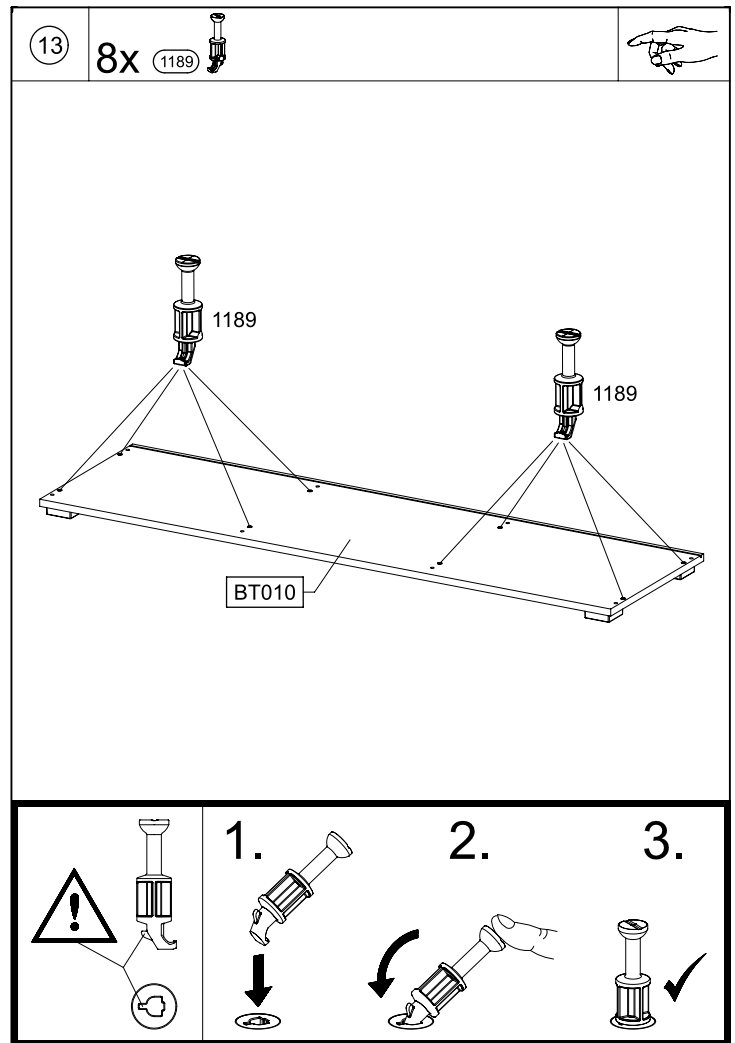
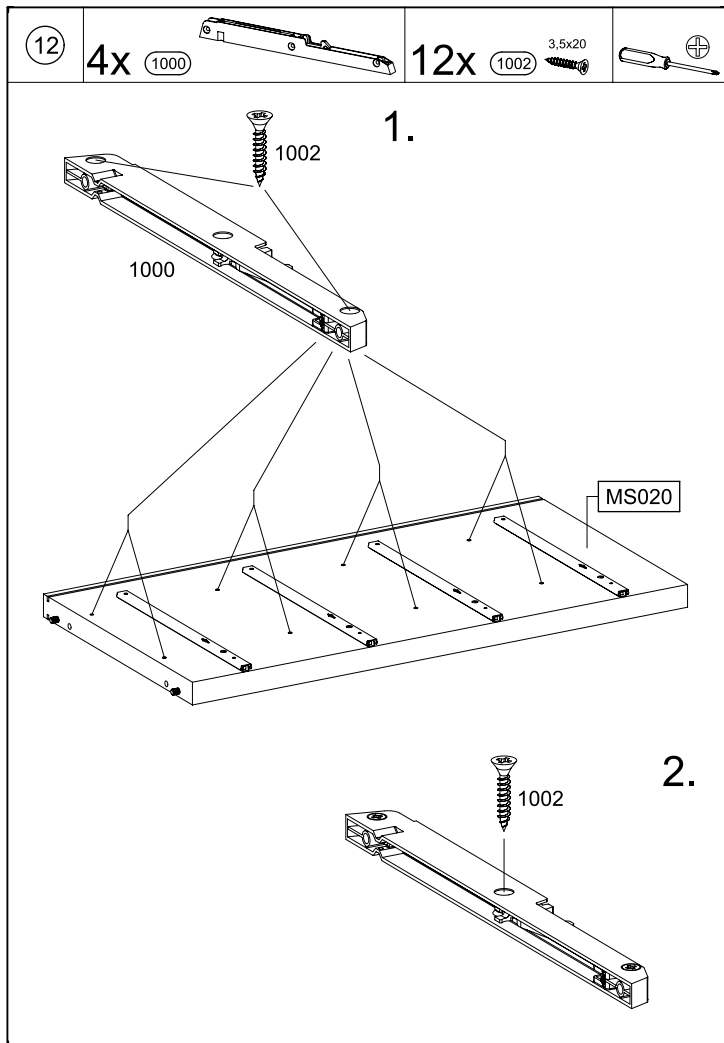
TU020

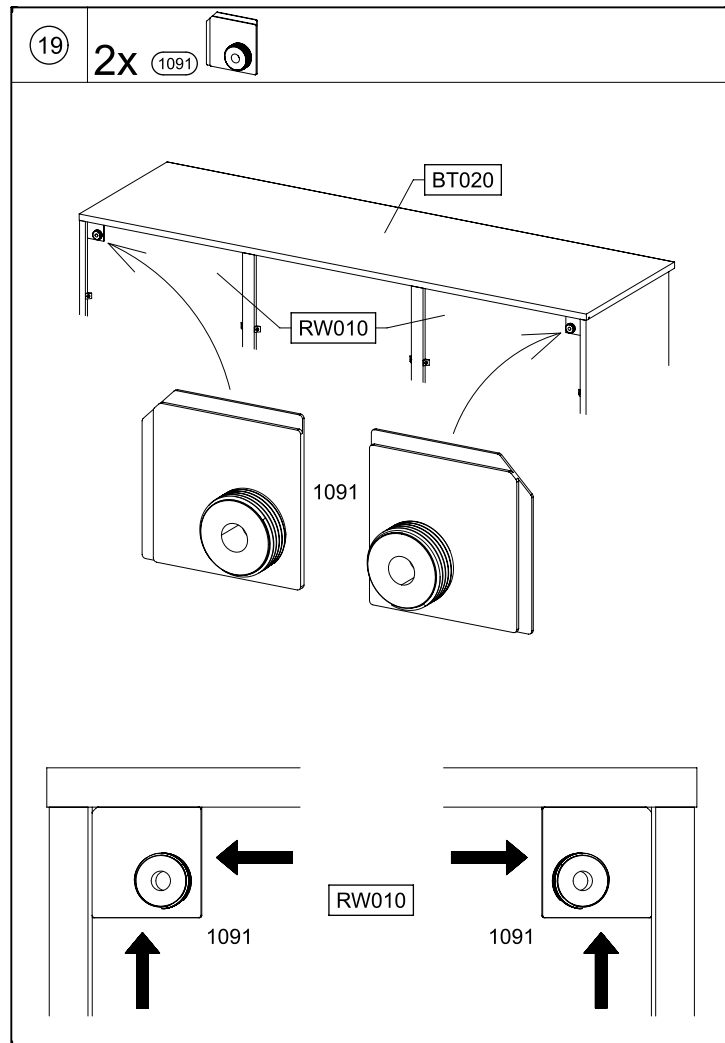
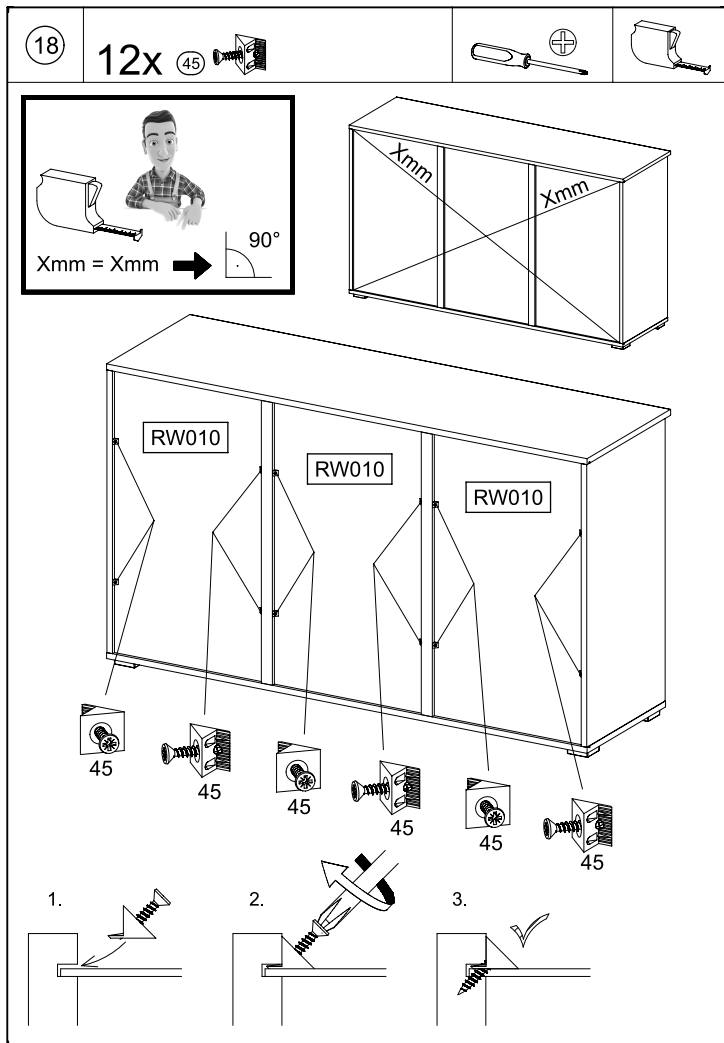
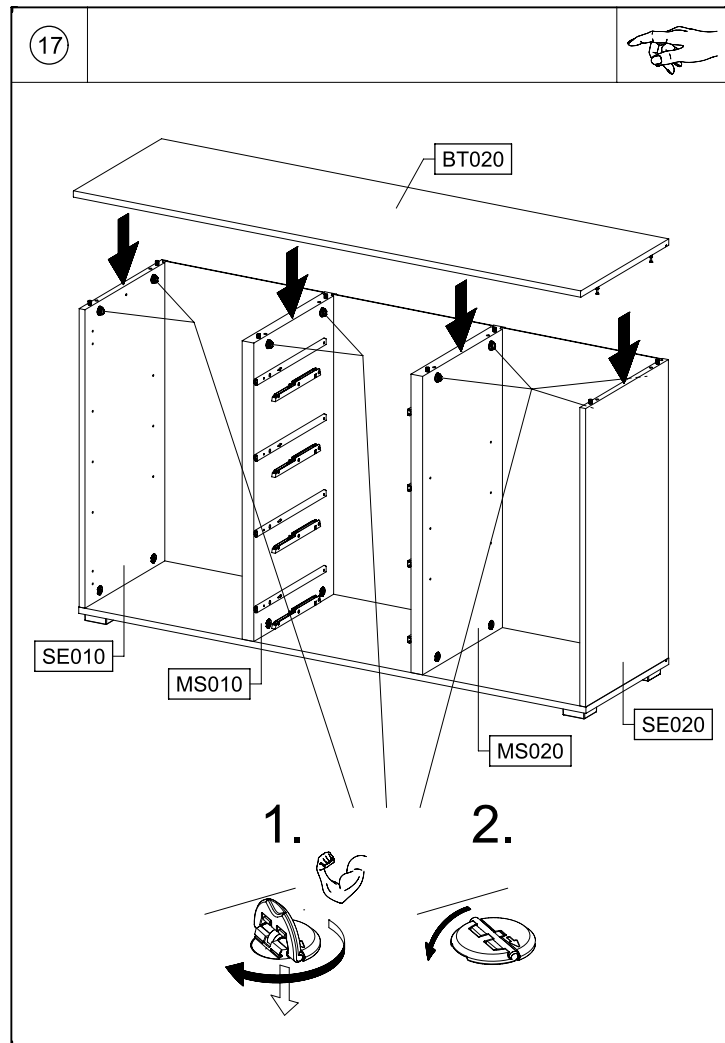
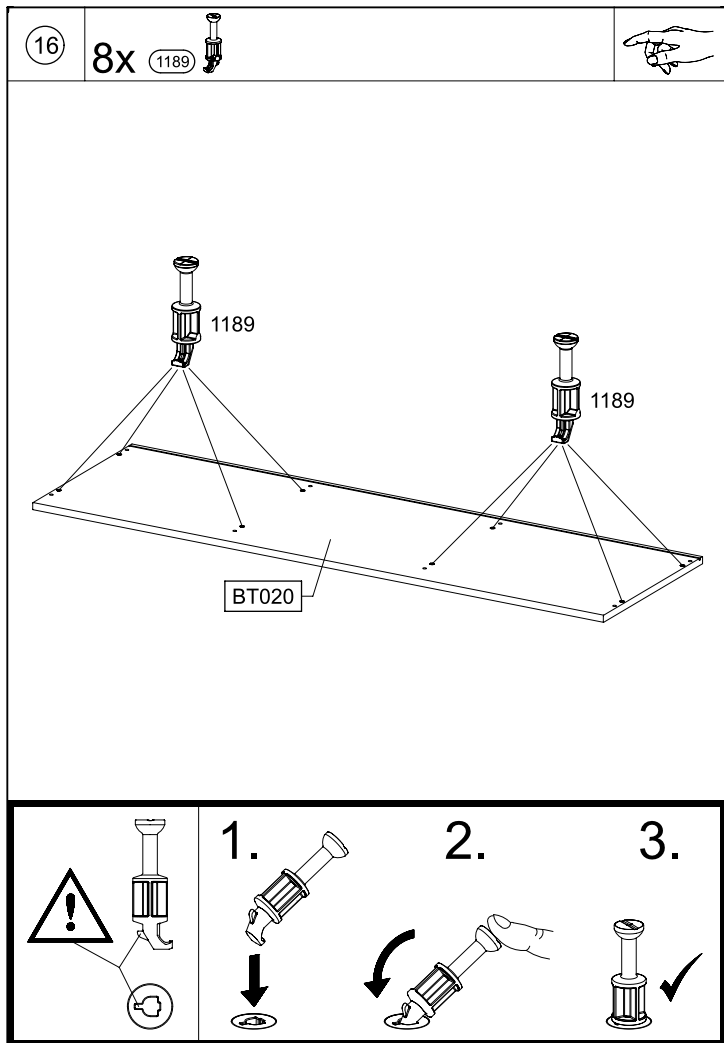
M2613

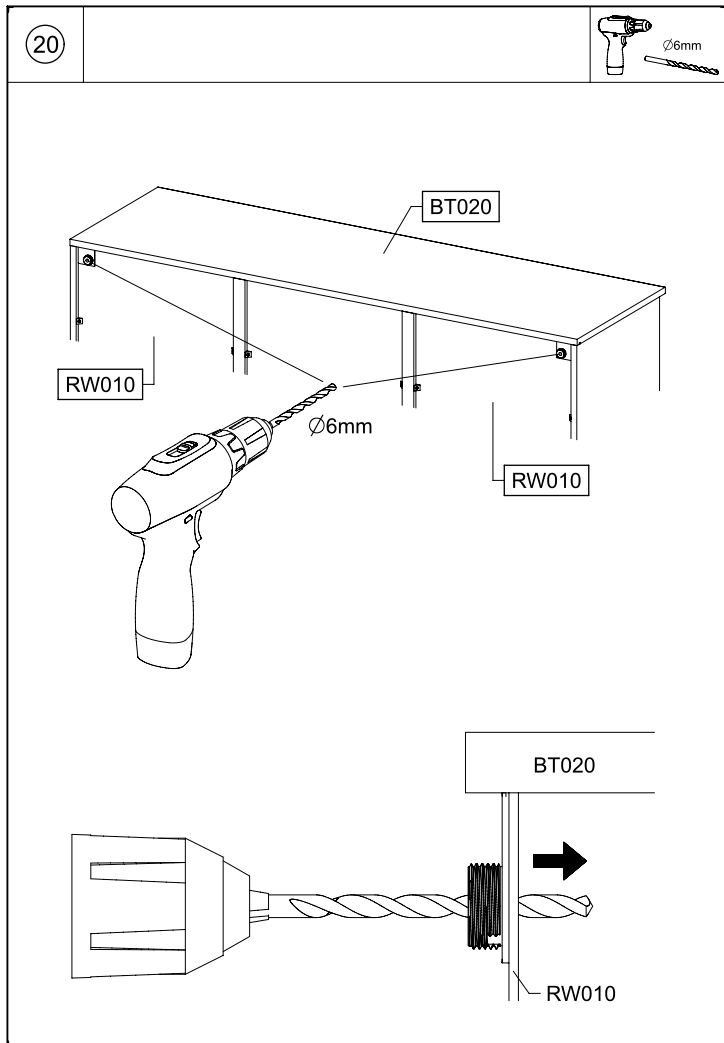




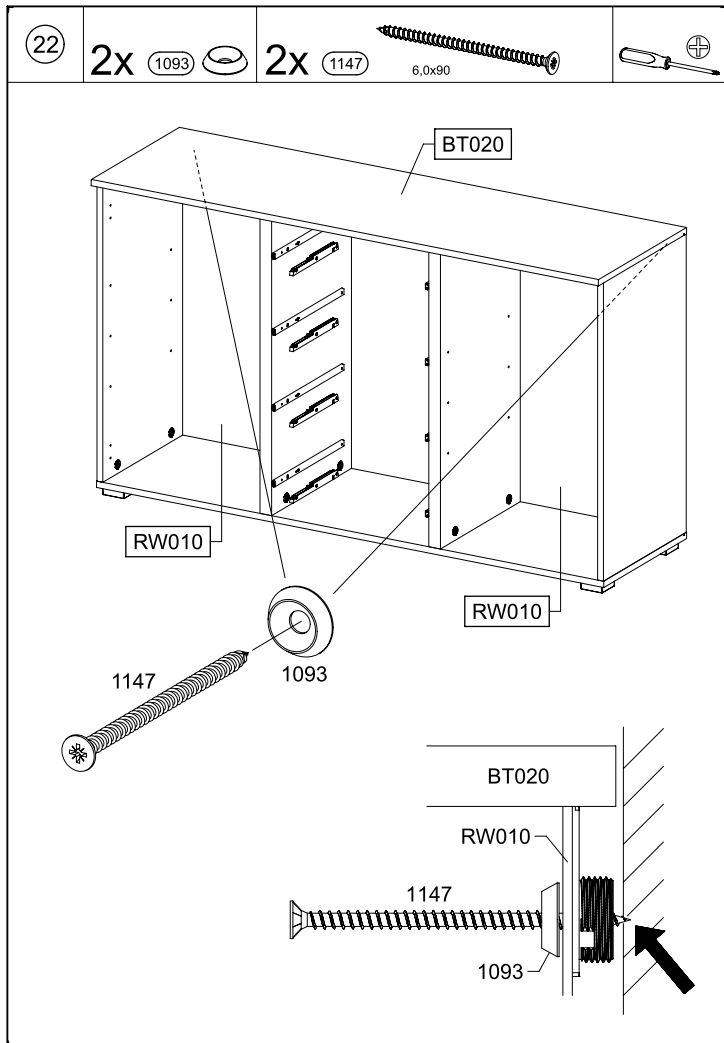




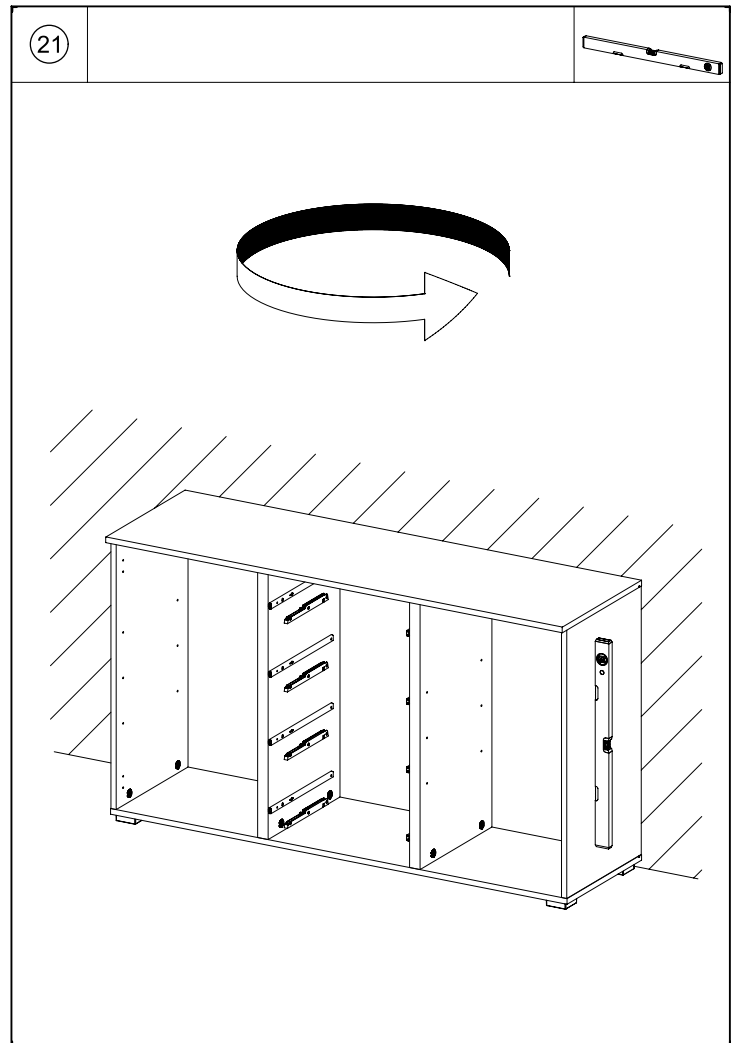




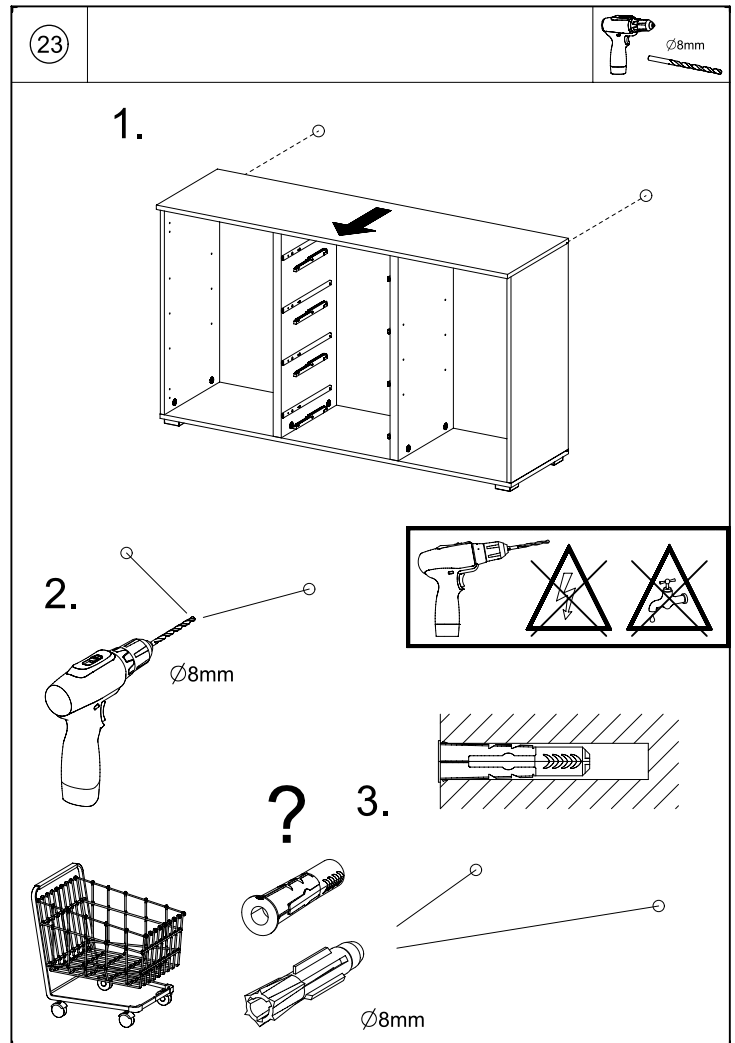
M2613



M2613



M2613



M2613

