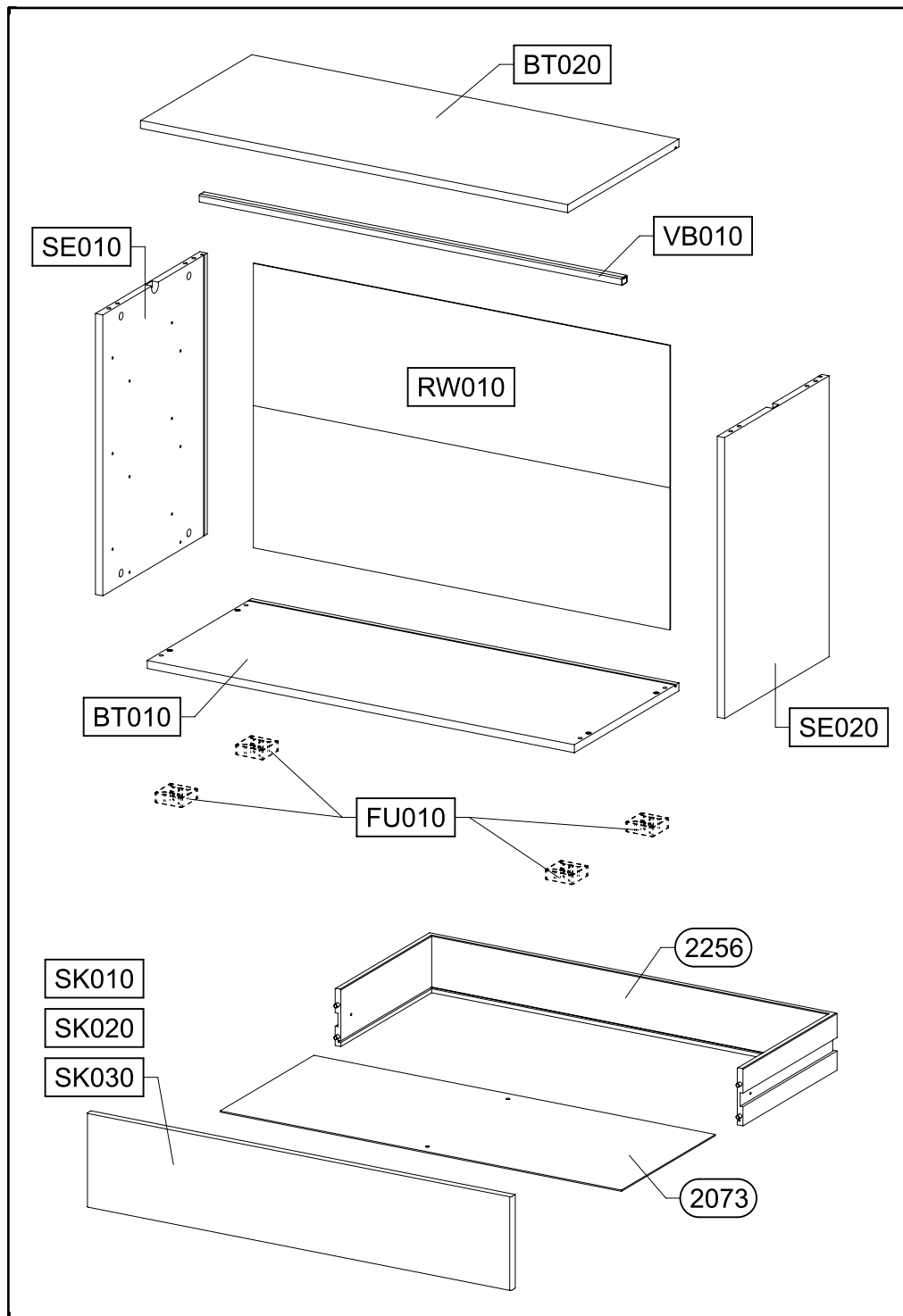
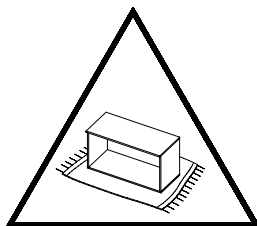
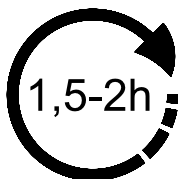
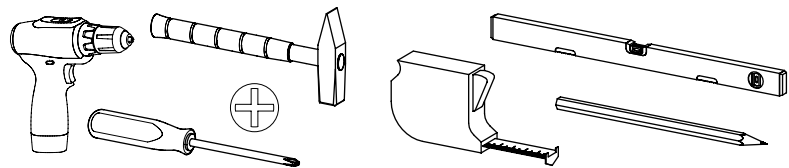
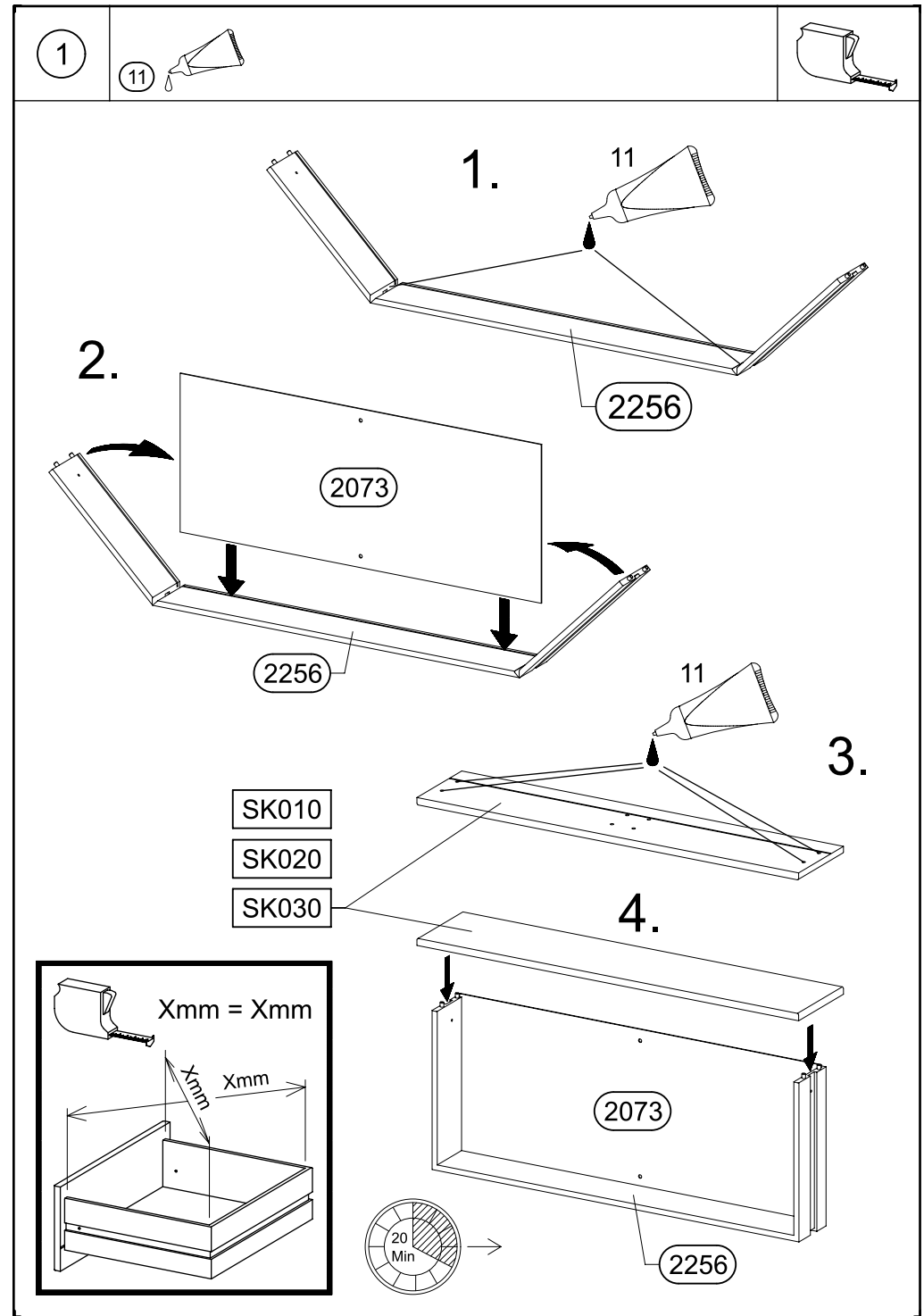
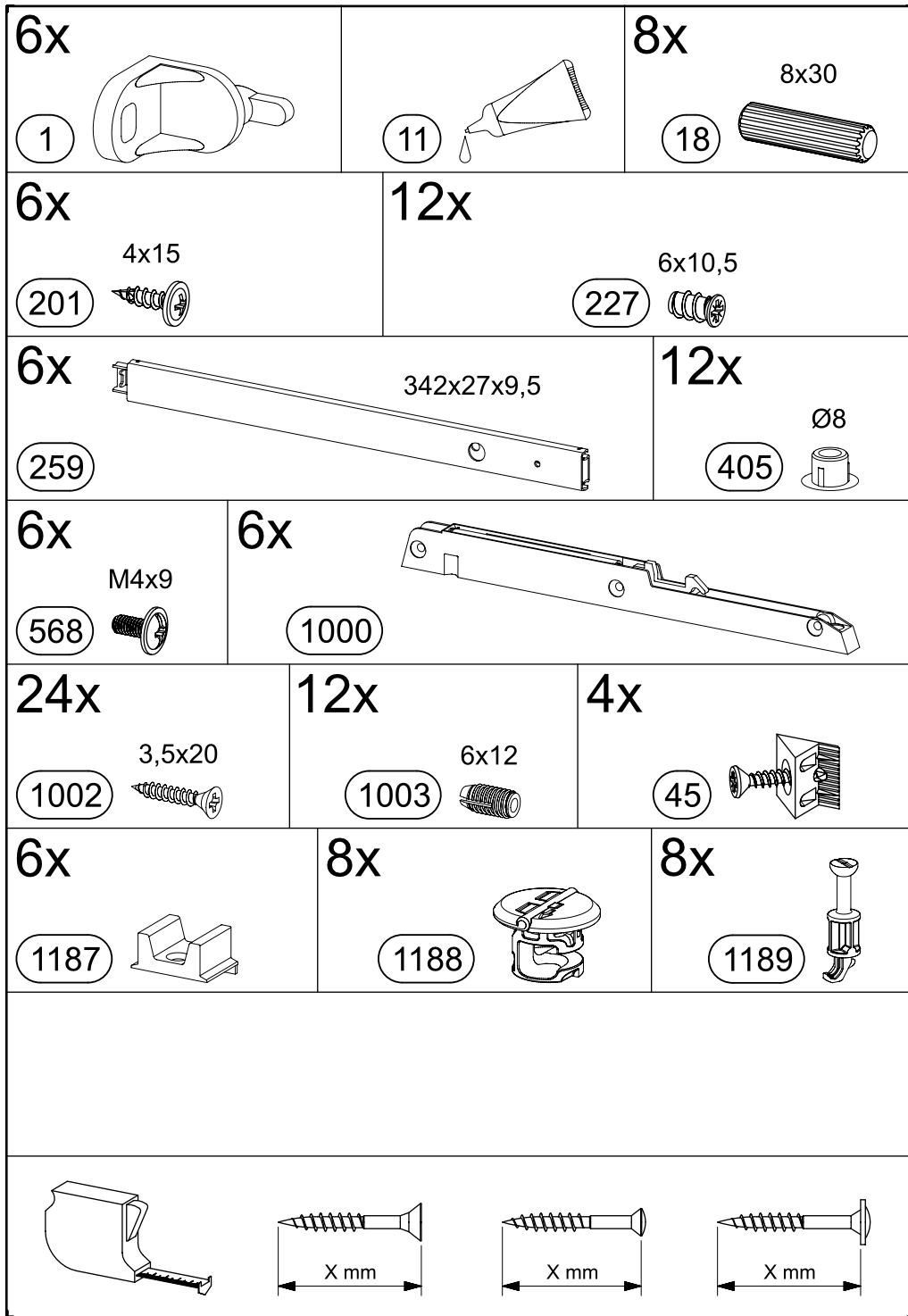
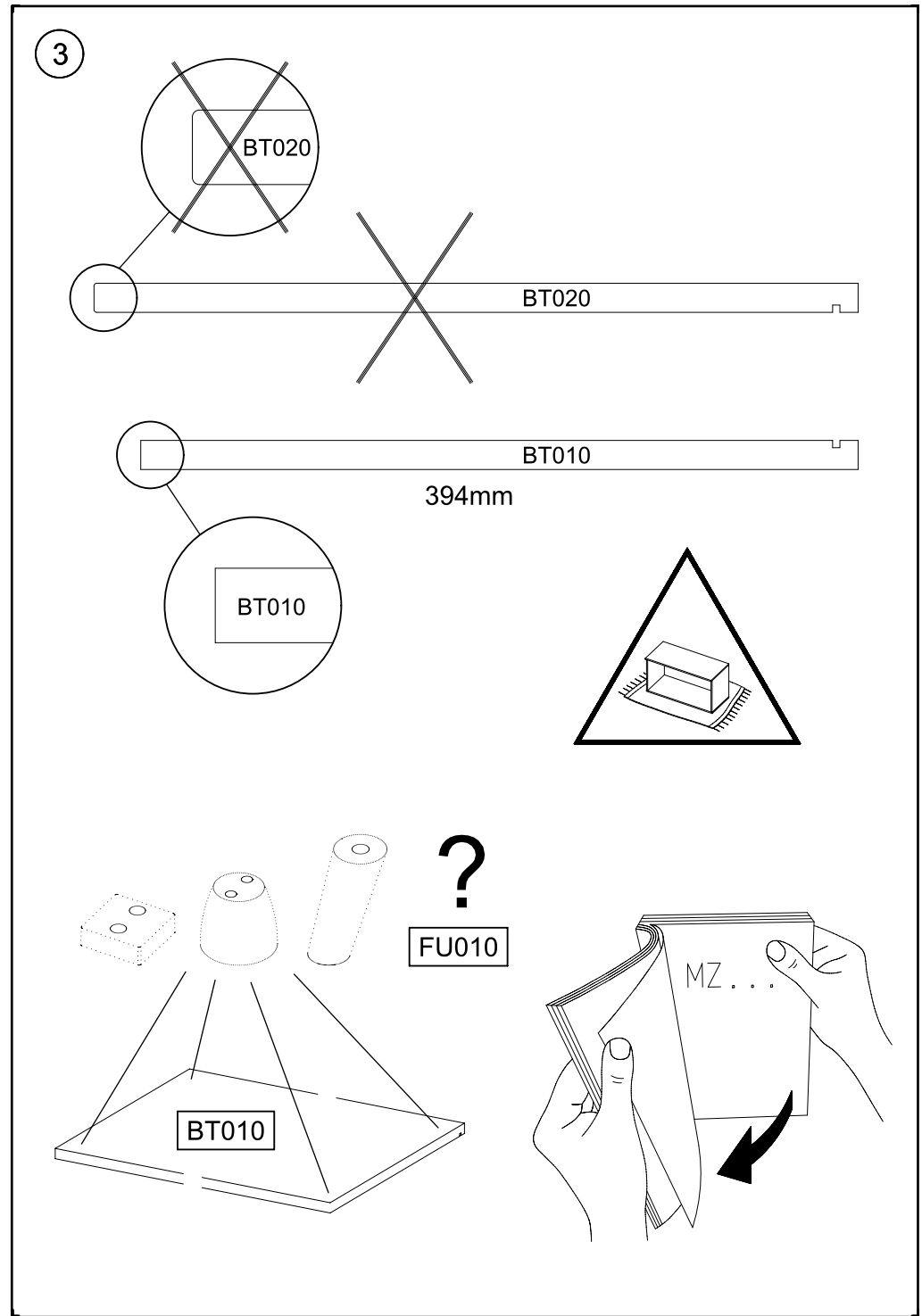
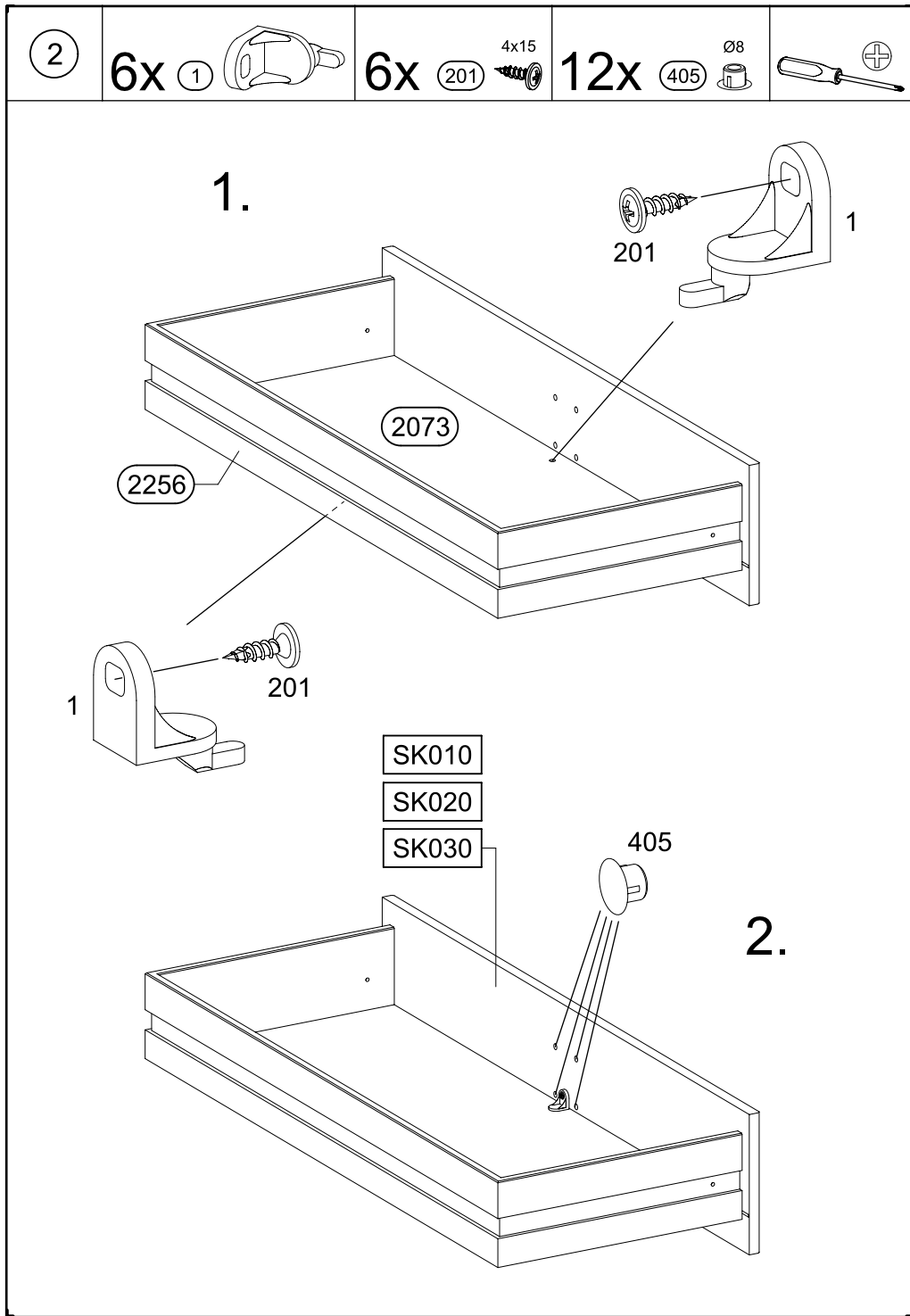


M2607_02

rauch





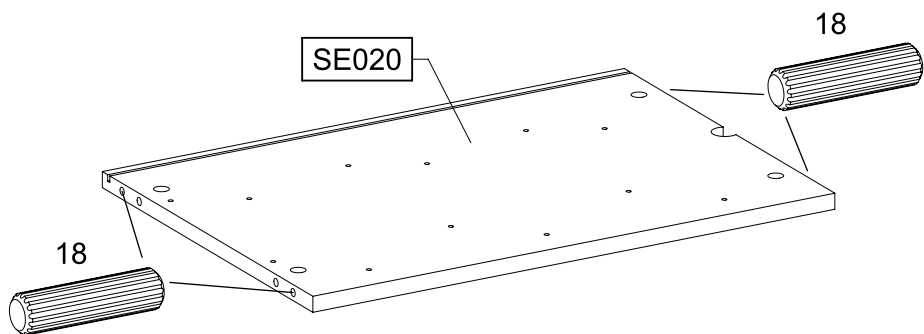
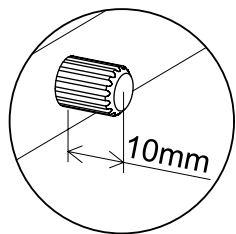
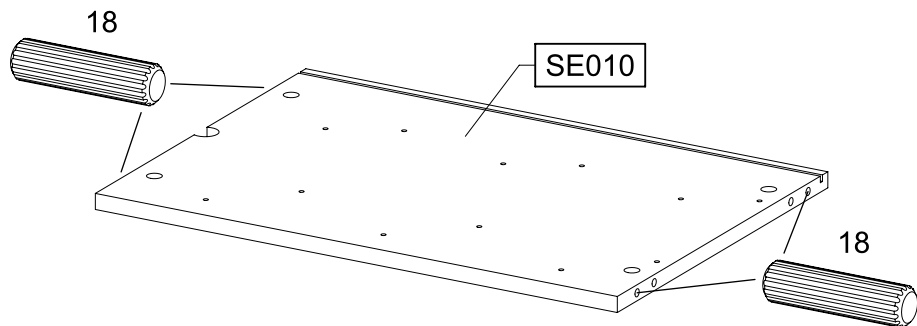
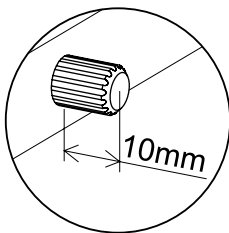
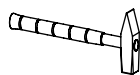


4

8x

18

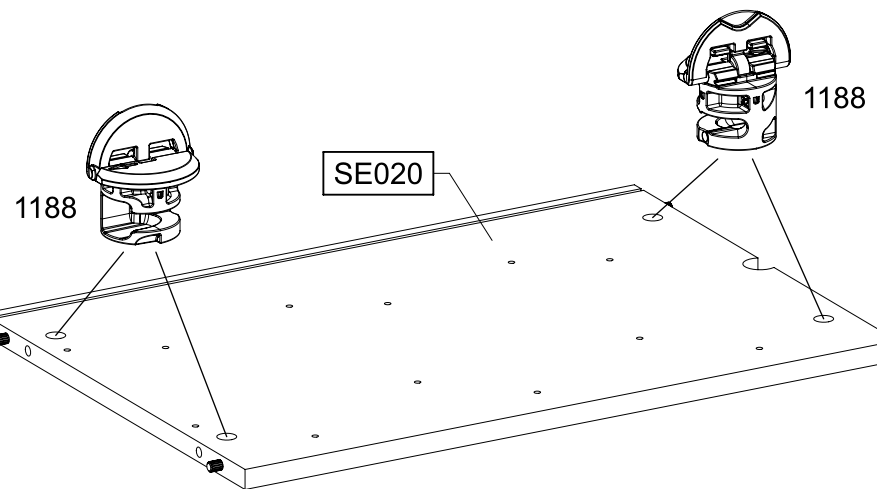
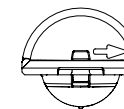
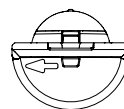
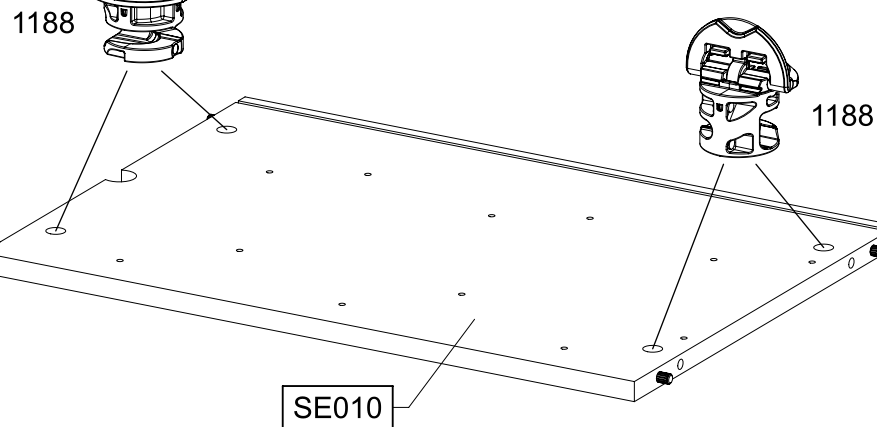
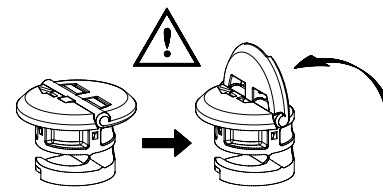
8x30



5

8x

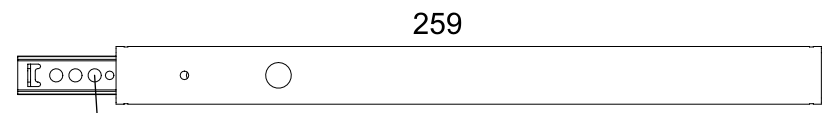
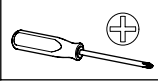
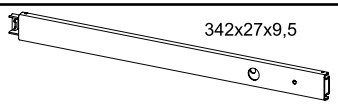
1188



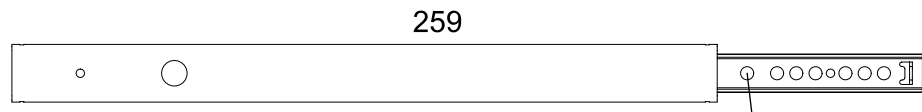
6

6x 227 6x10,5

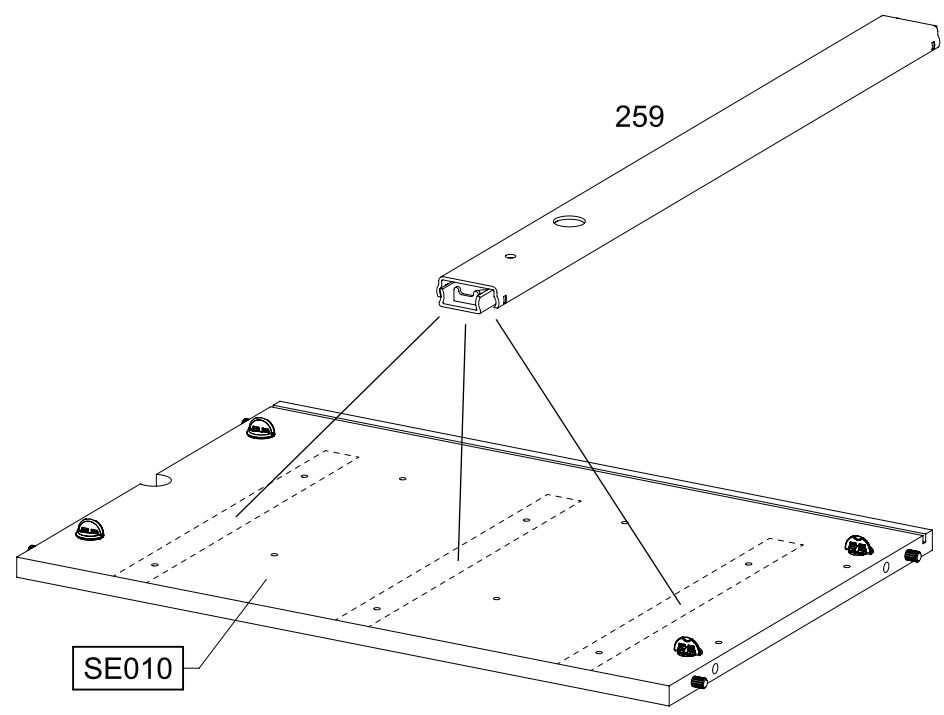
3x 259



1. 227



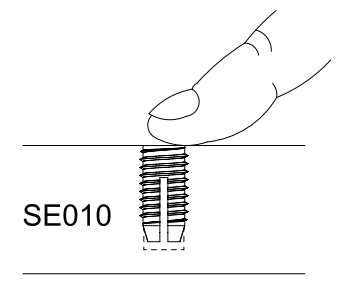
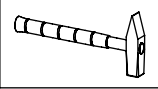
2. 227



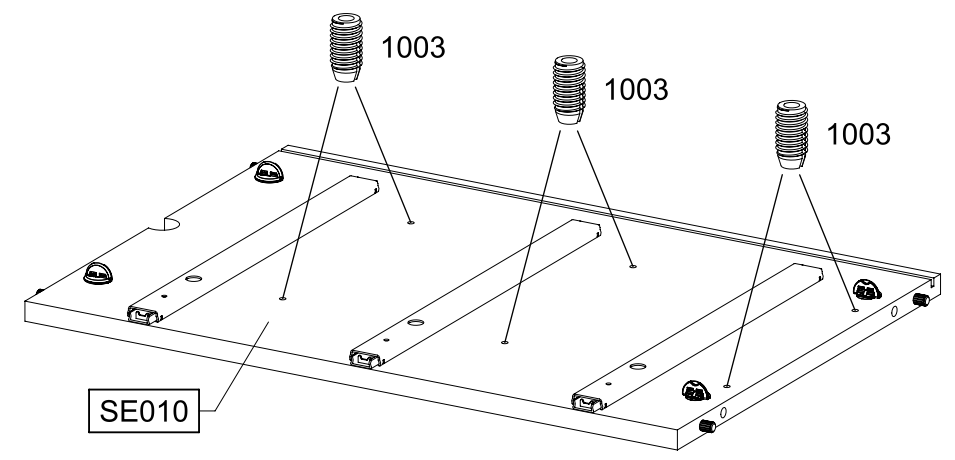
SE010

7

6x 1003 6x12



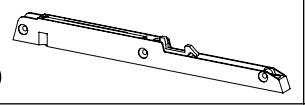
SE010



SE010

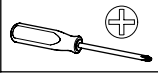
8

3x 1000



9x 1002

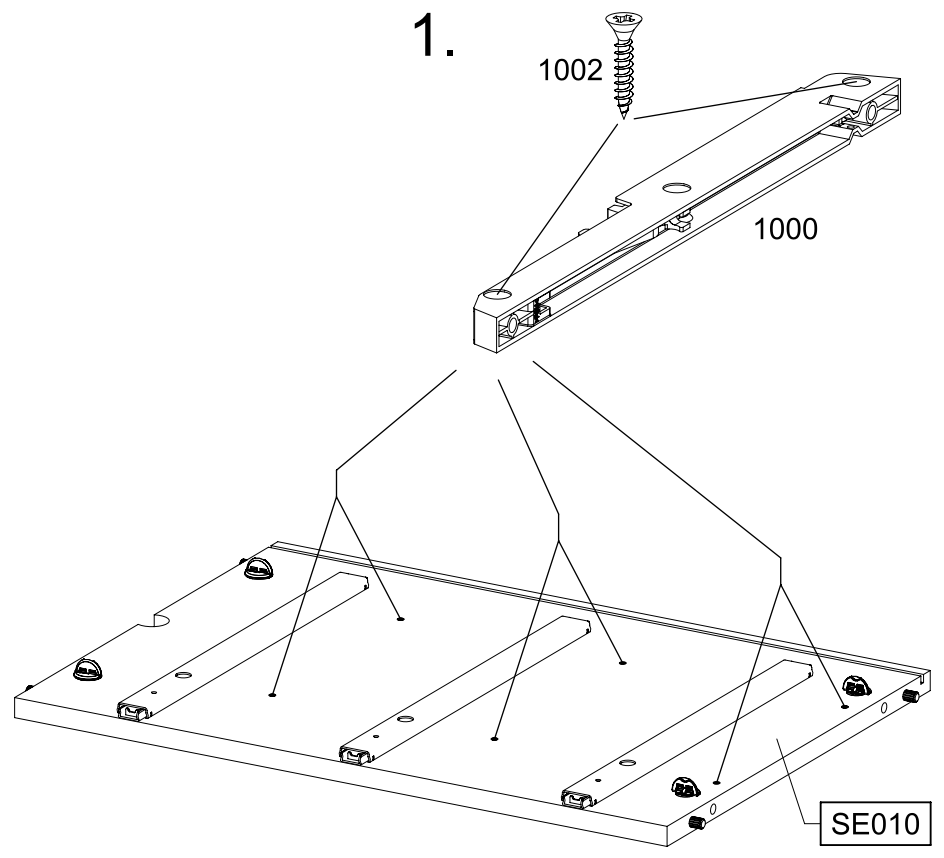
3,5x20



1.

1002

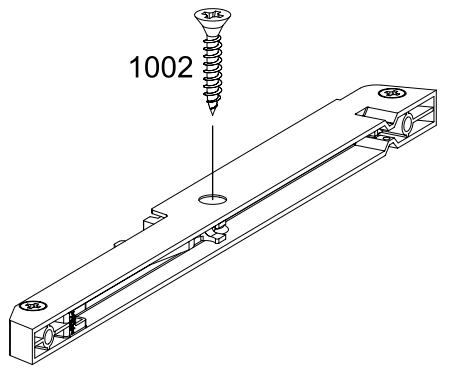
1000



SE010

2.

1002



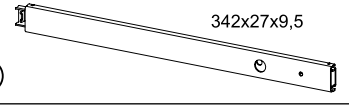
9

6x 227

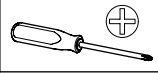
6x10,5



3x 259



342x27x9,5



259

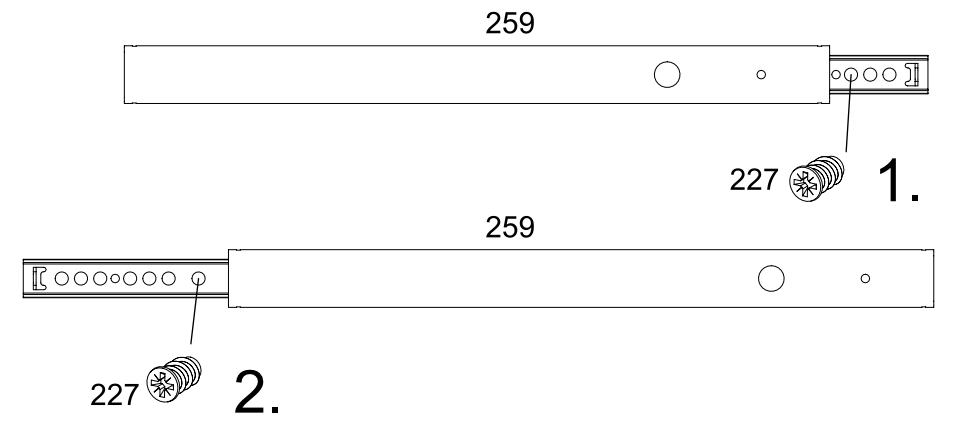
227

1.

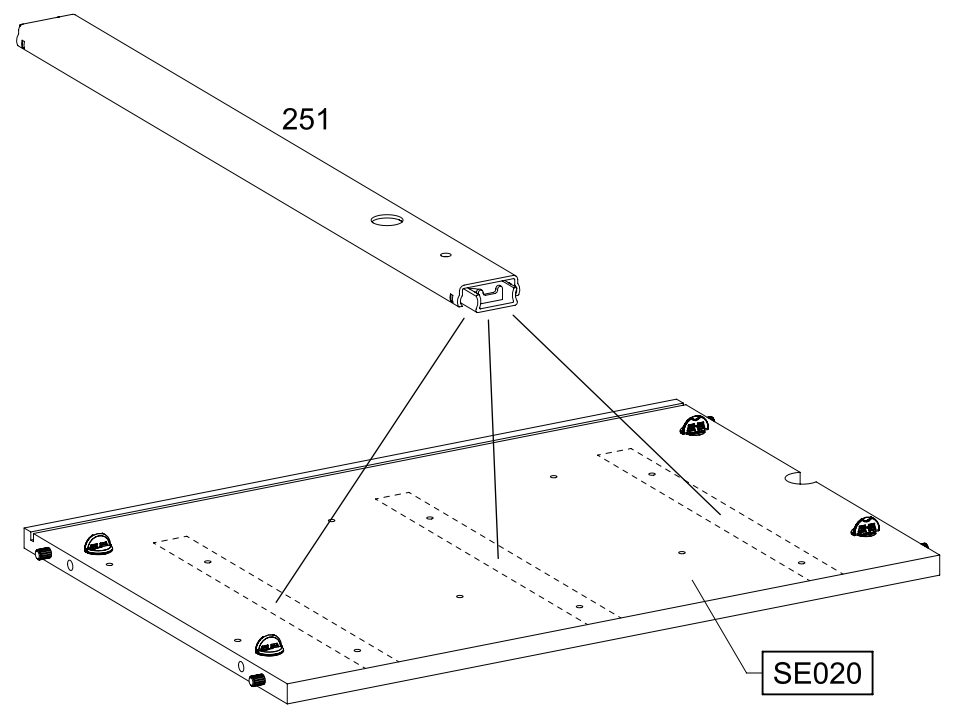
259

227

2.



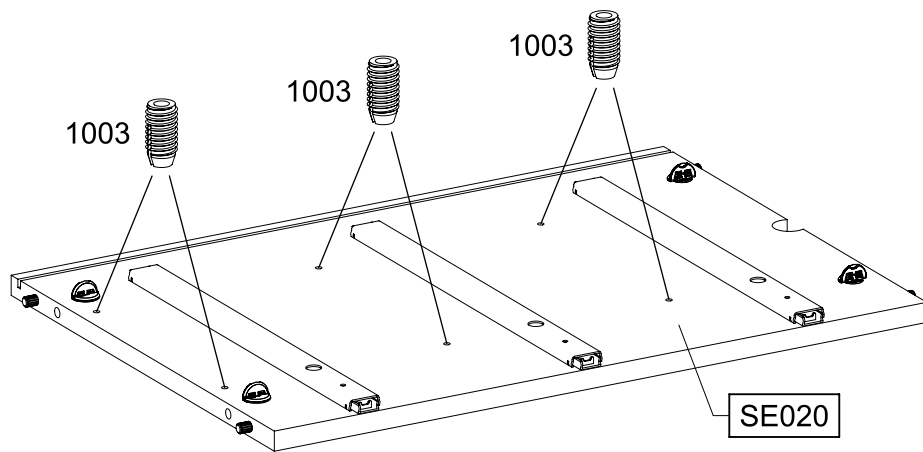
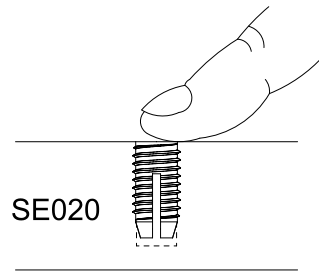
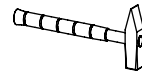
251



SE020

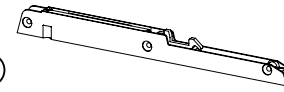
10

6x 1003 6x12

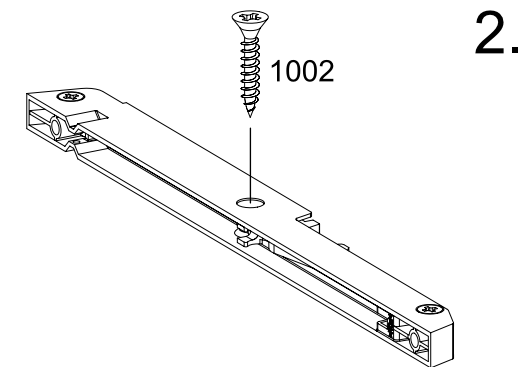
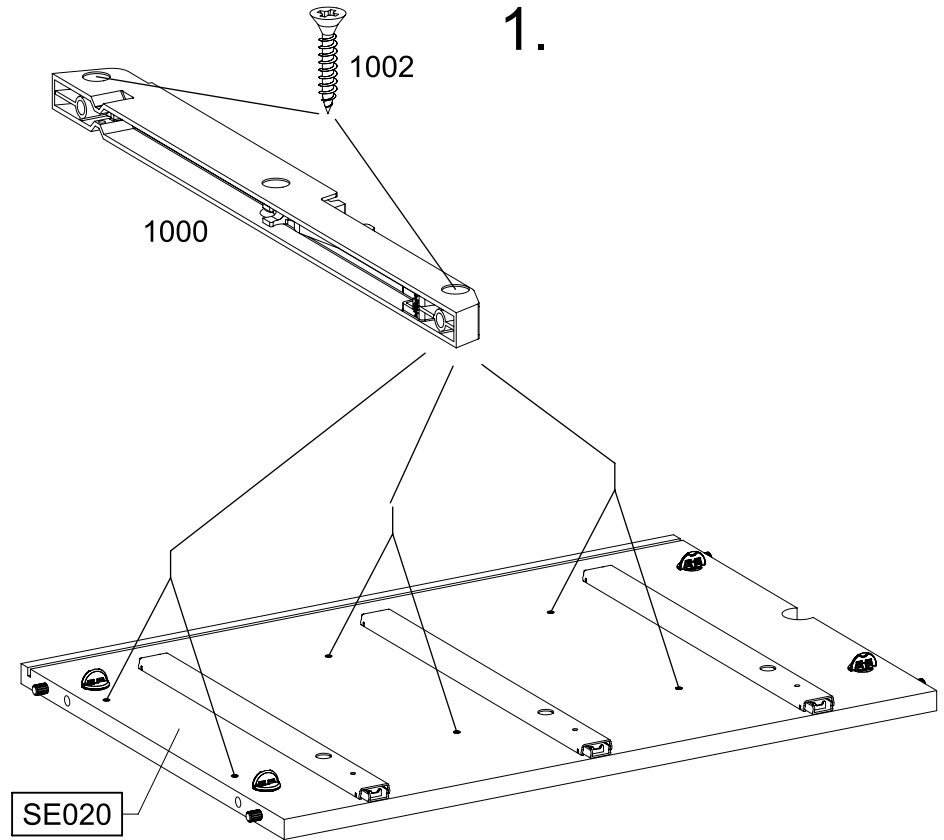
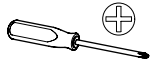


11

3x 1000

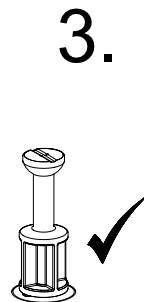
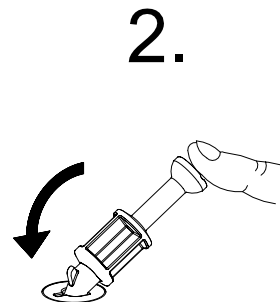
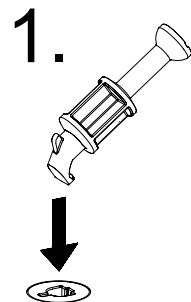
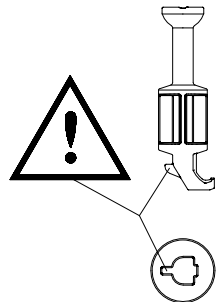
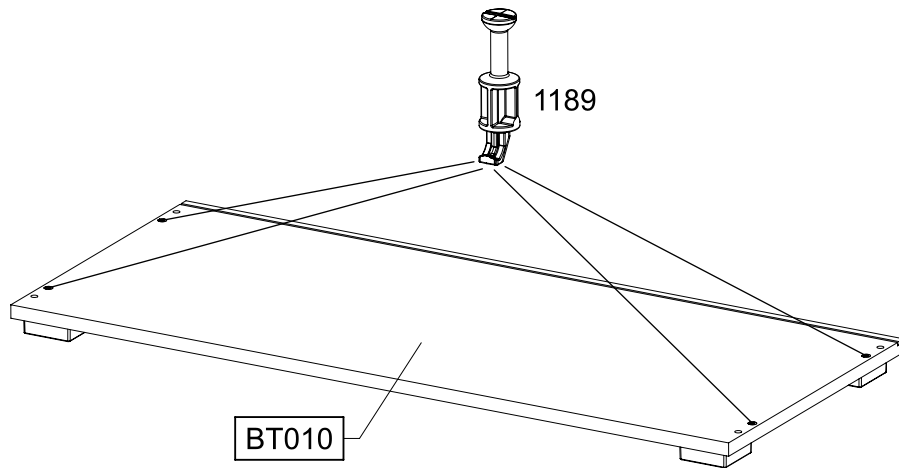


9x 1002 3,5x20



12

4x 1189

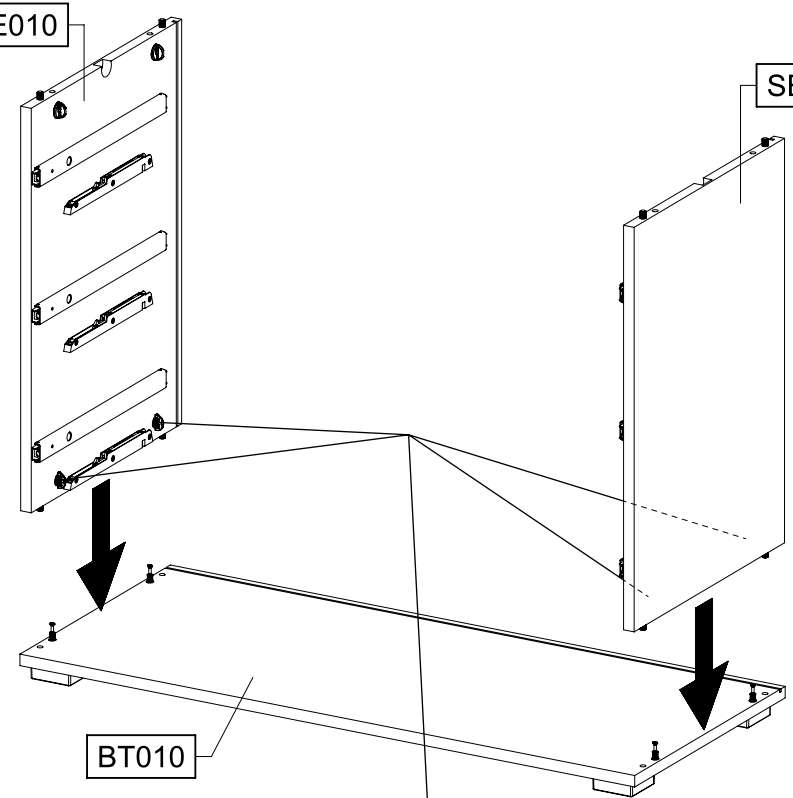


13

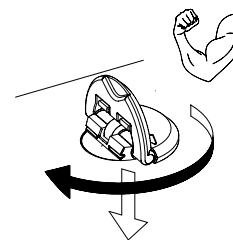


SE010

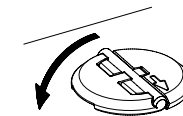
SE020

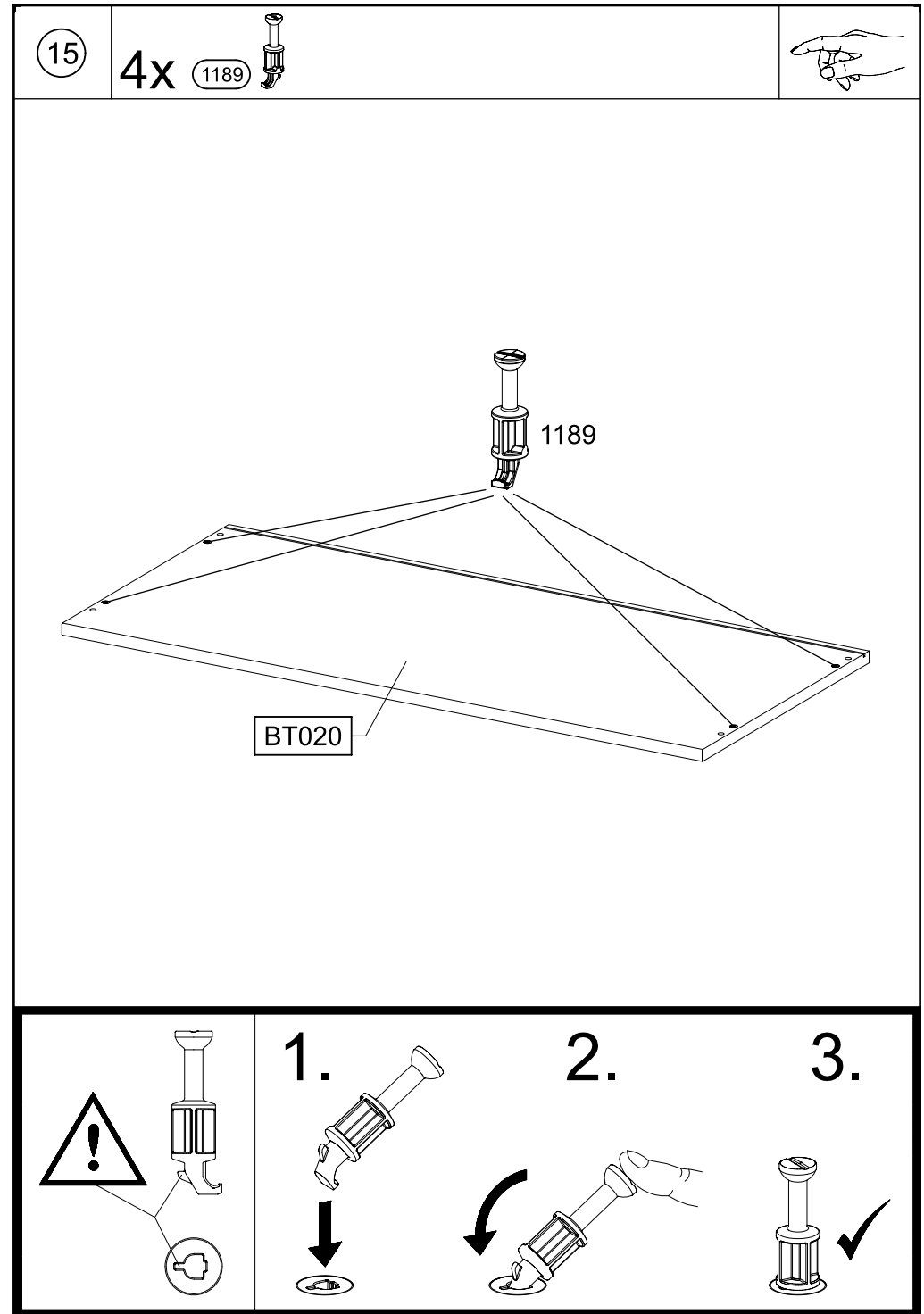
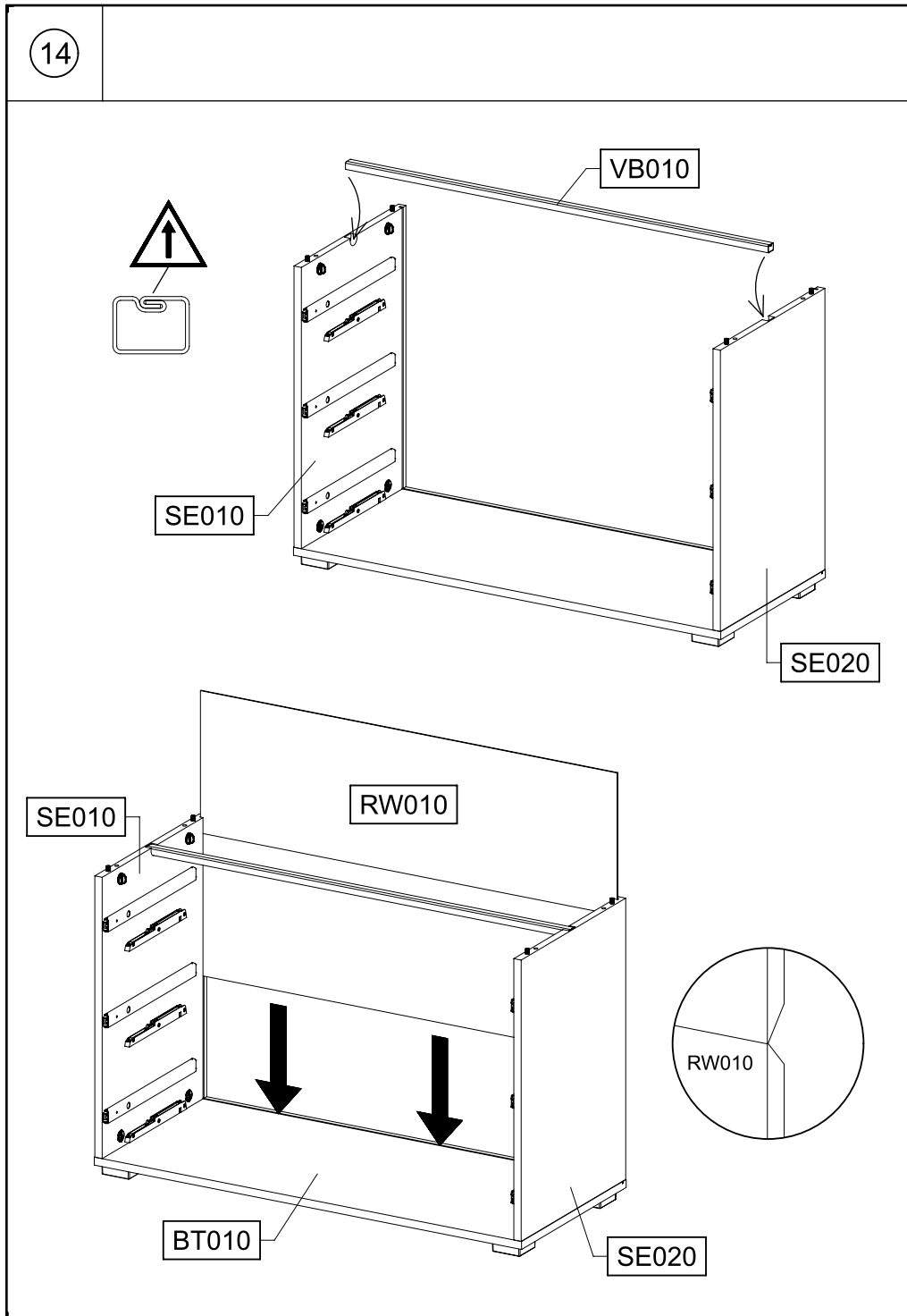


1.

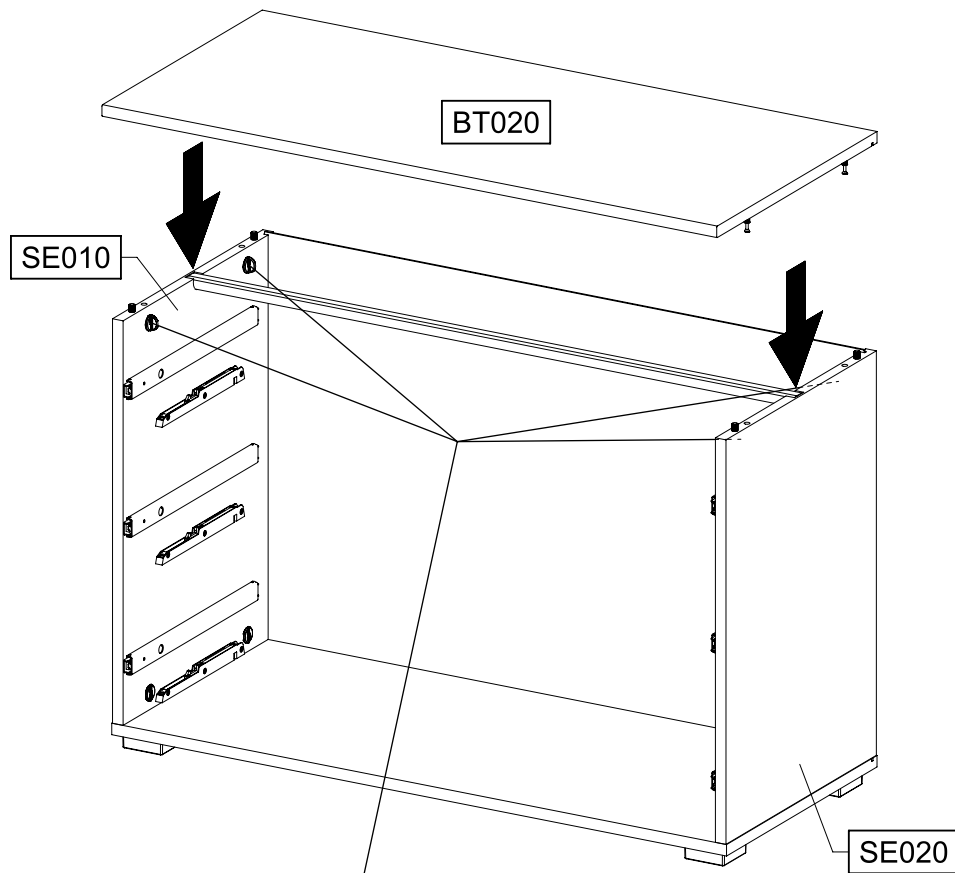


2.



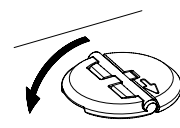
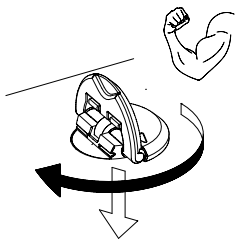


16



1.

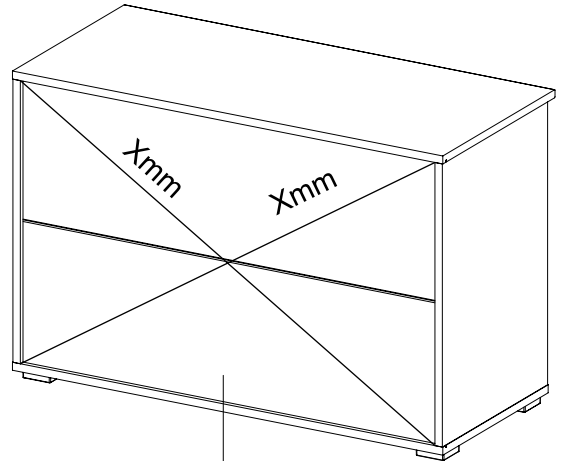
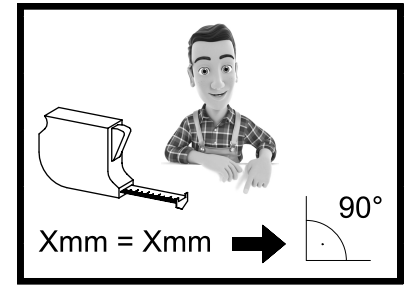
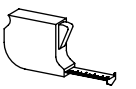
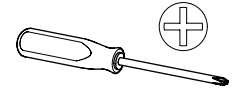
2.



17

4x

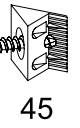
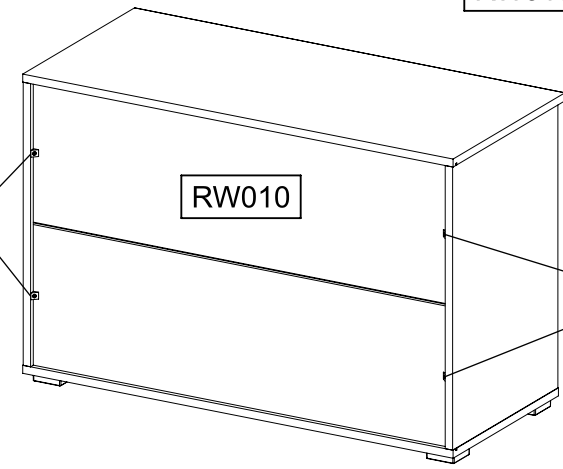
45



RW010



45

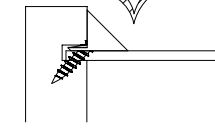
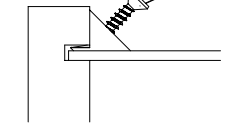
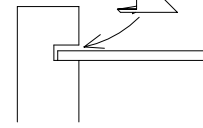


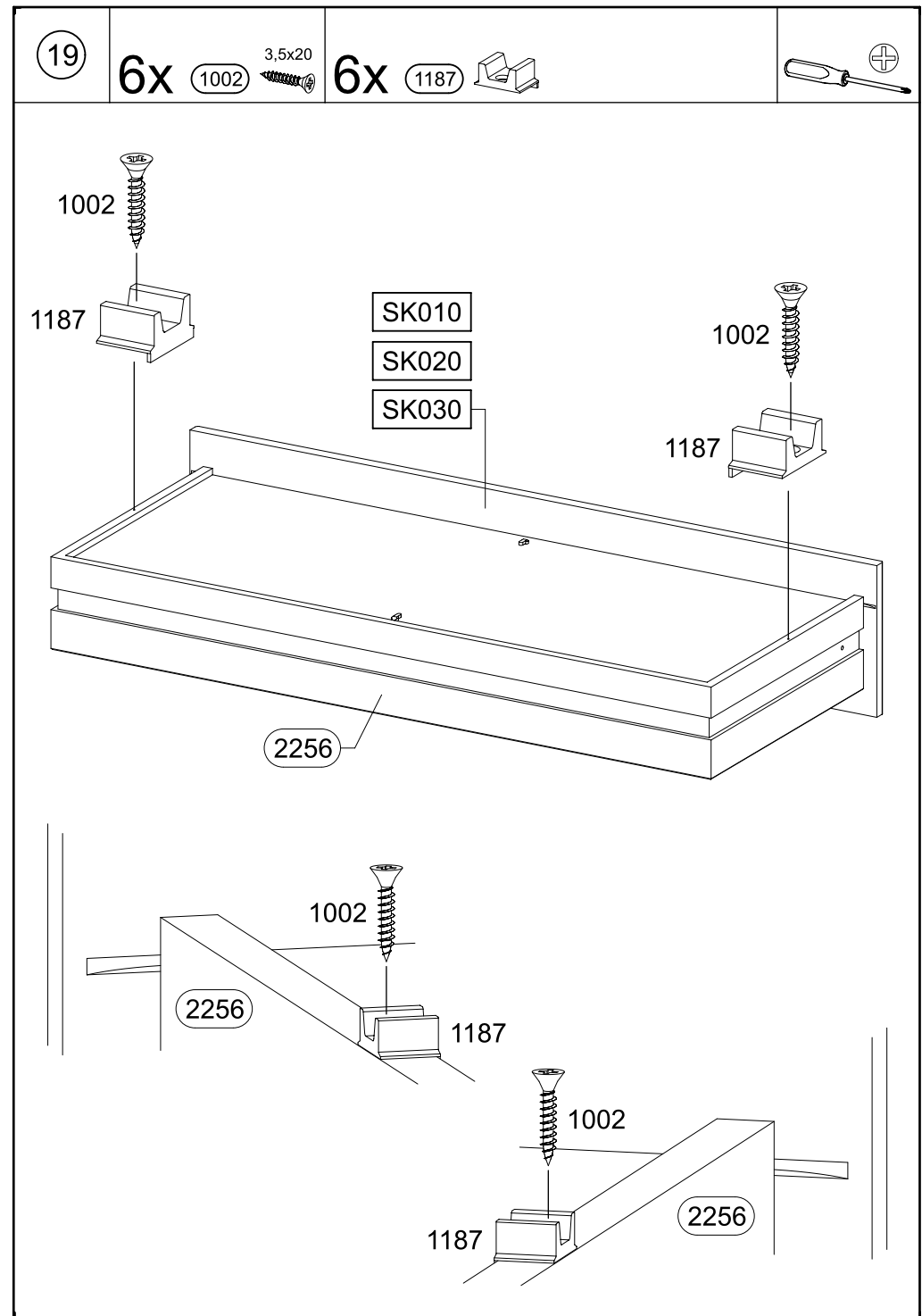
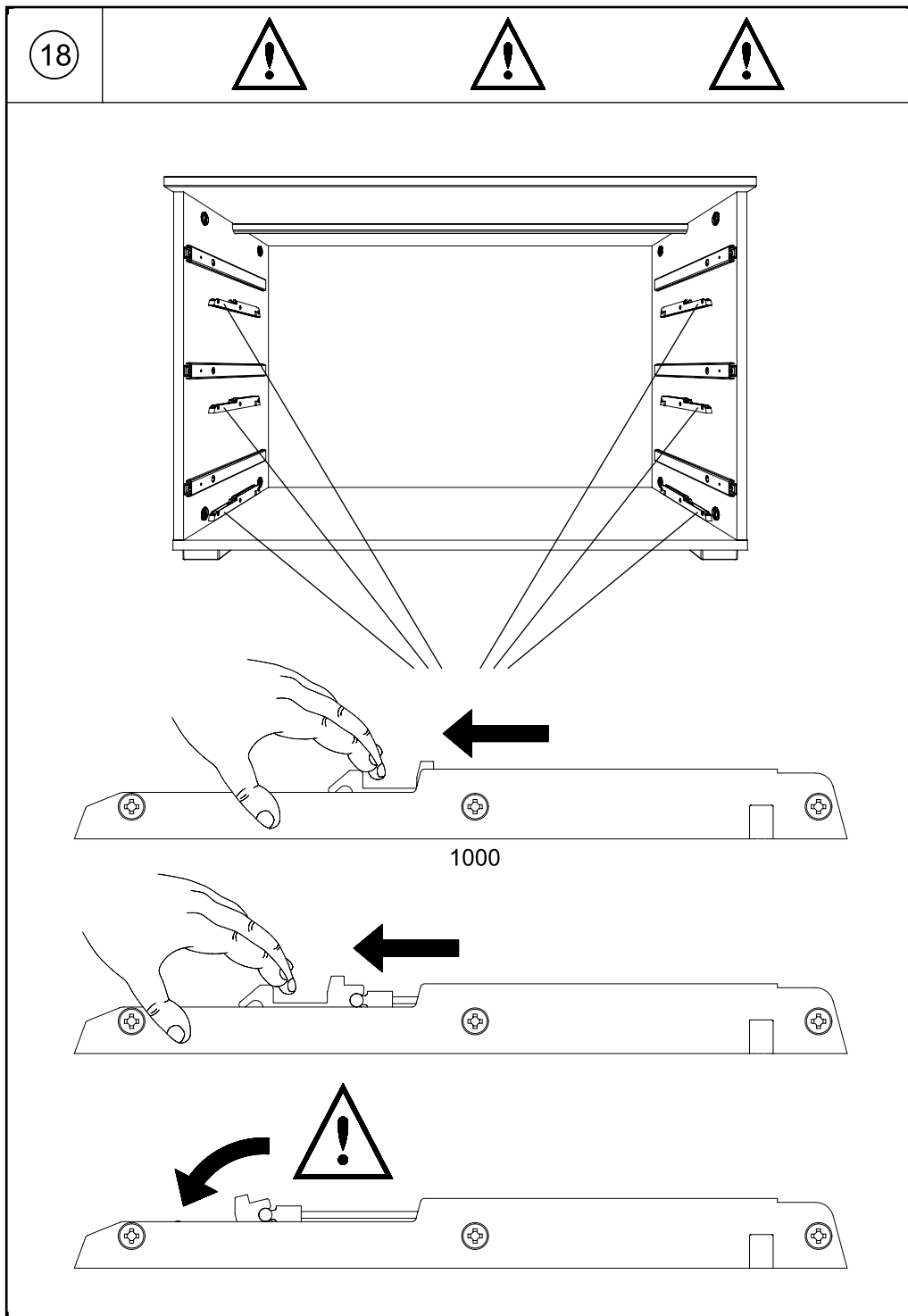
45

1.

2.

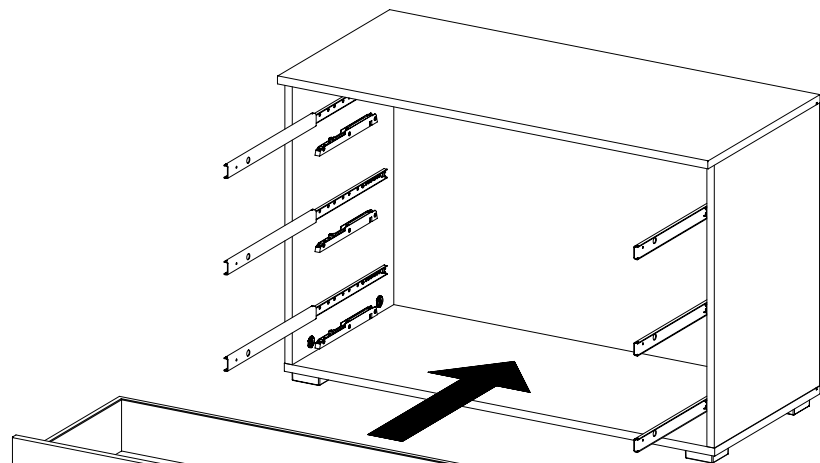
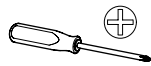
3.





20

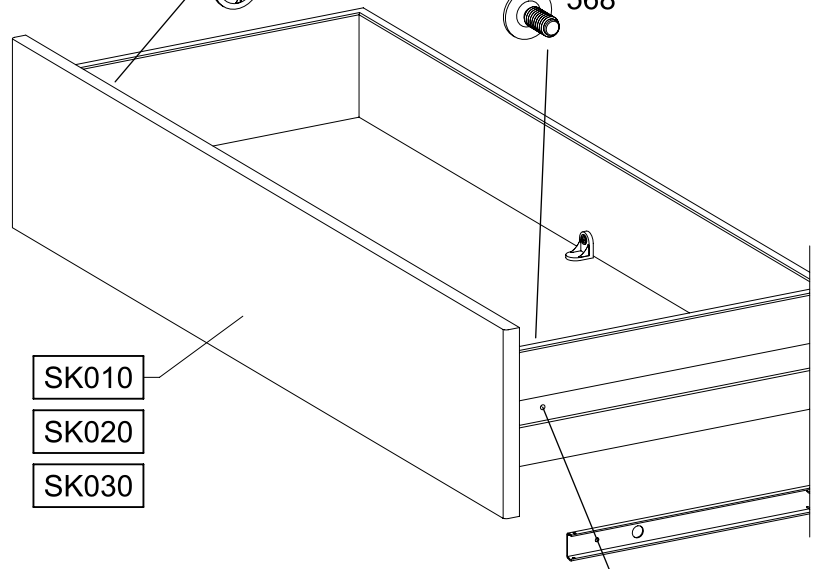
6x M4x9 568



SK010

SK020

SK030



SK010

SK020

SK030

