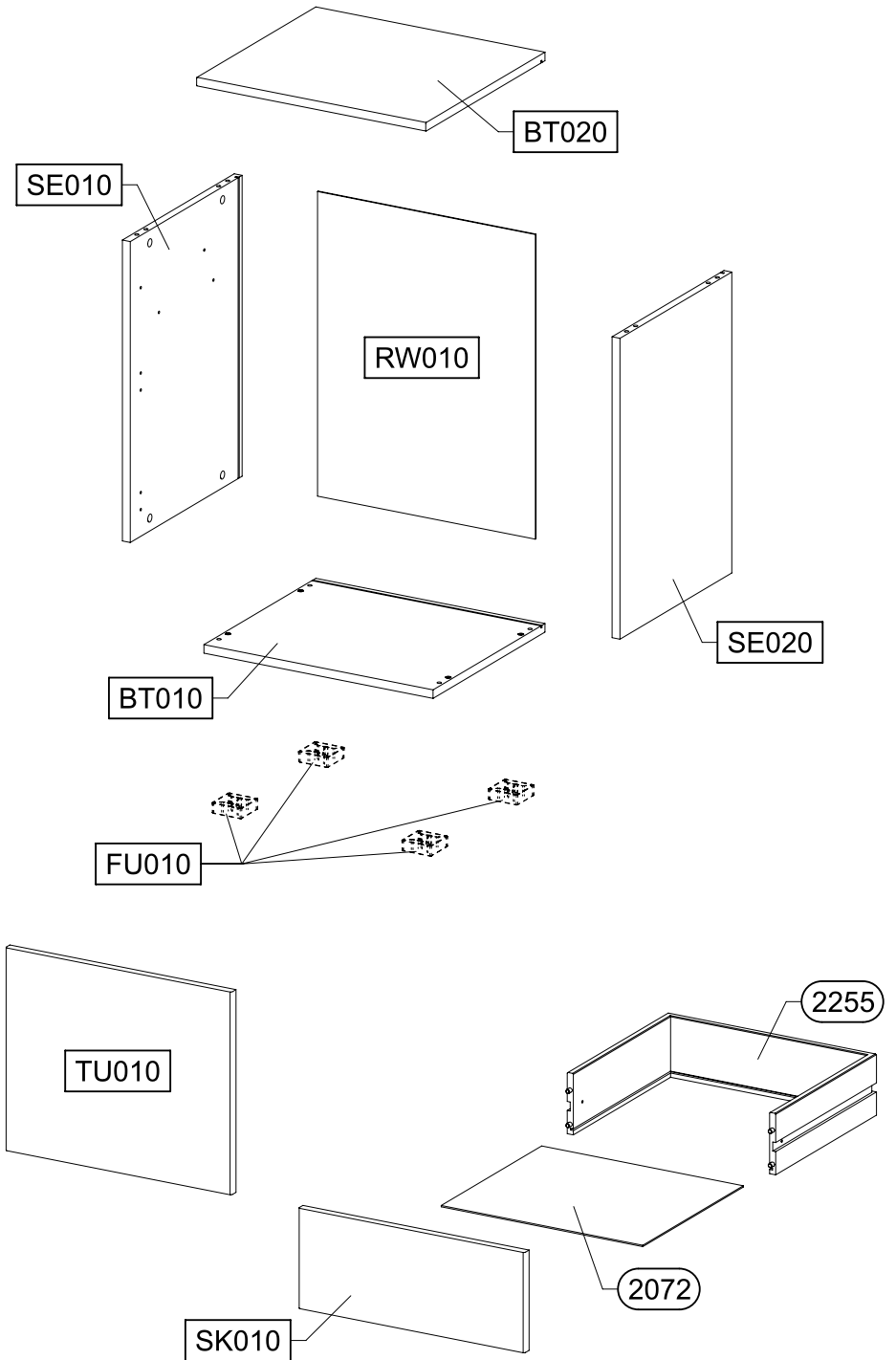
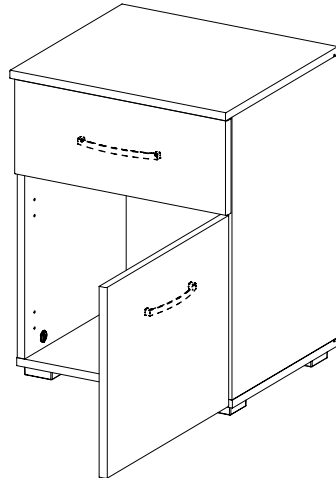
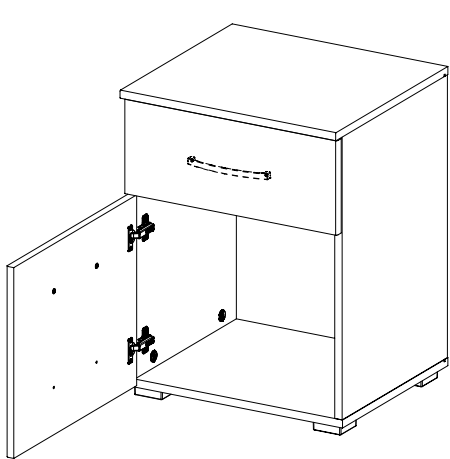
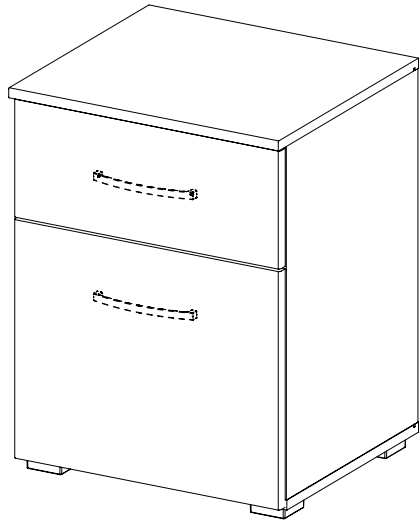
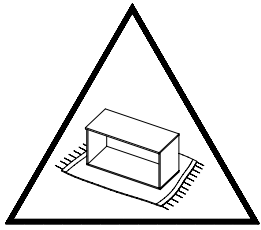
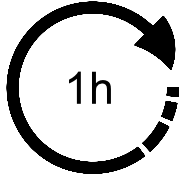
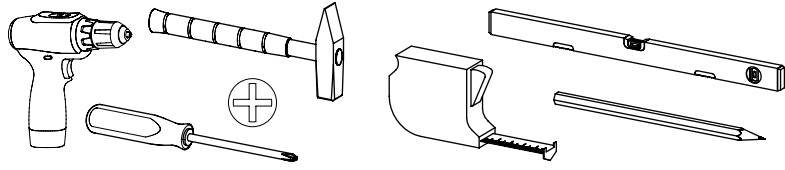
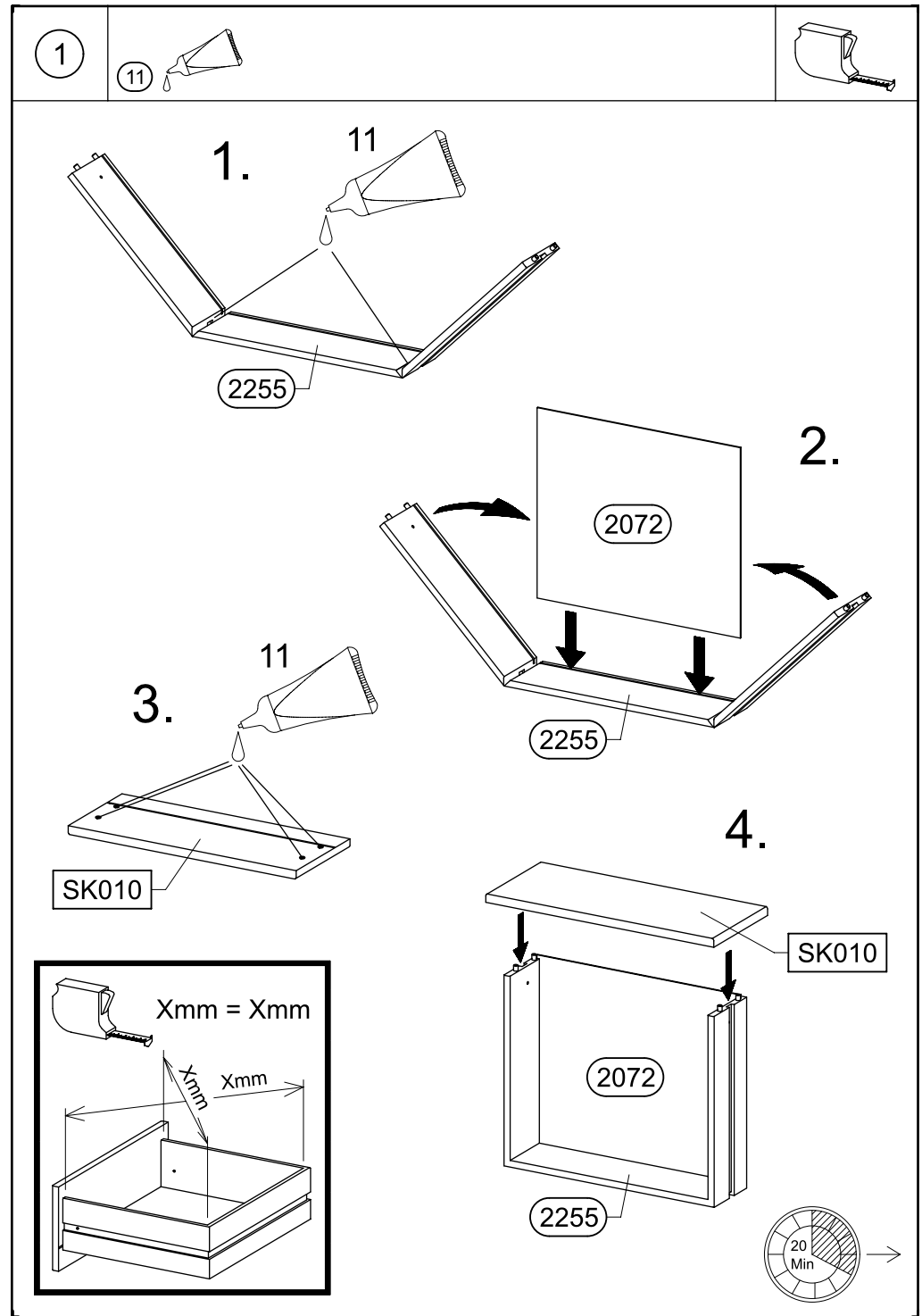
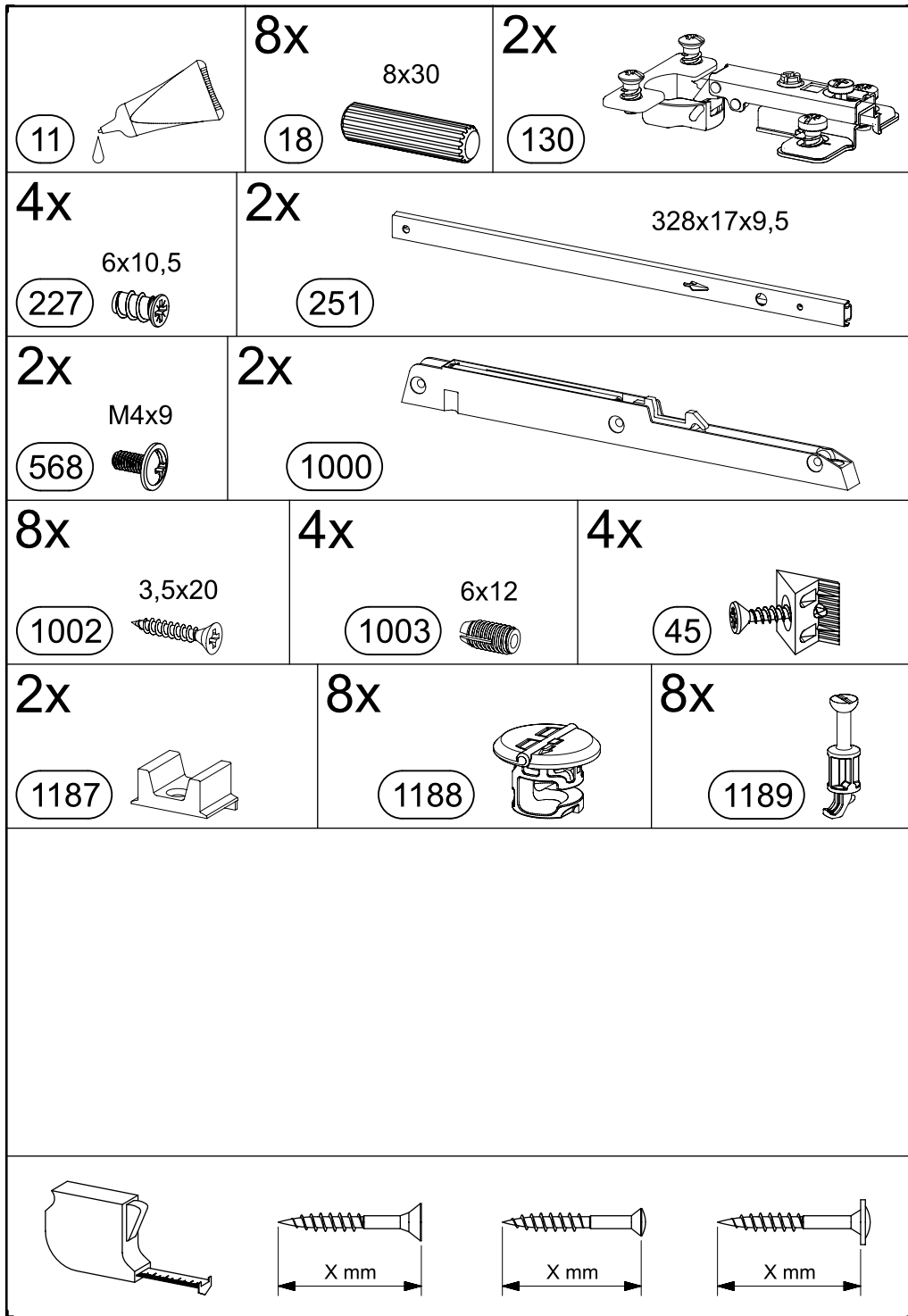


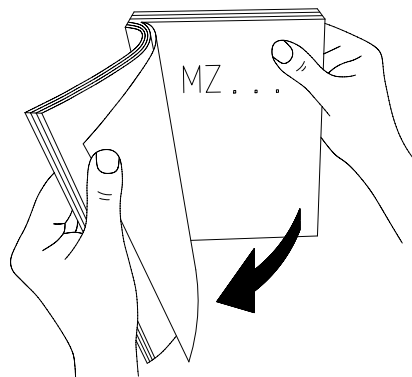
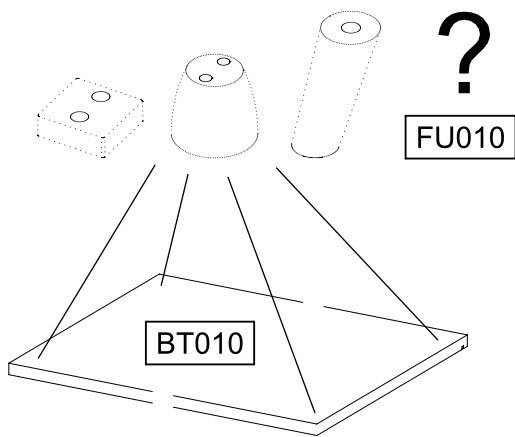
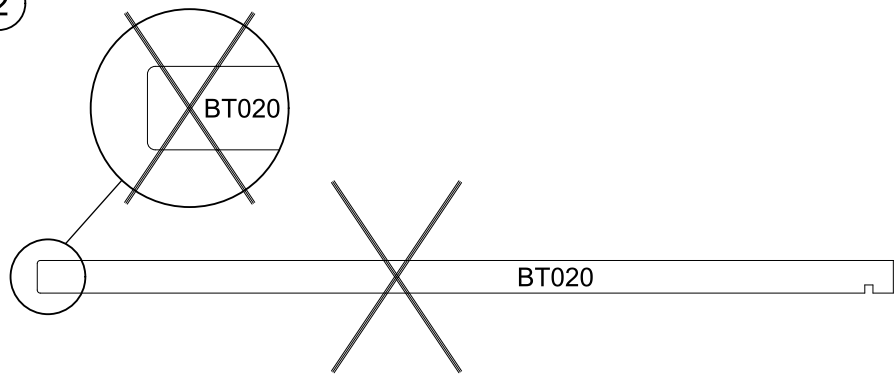
M2606\_02

rauch



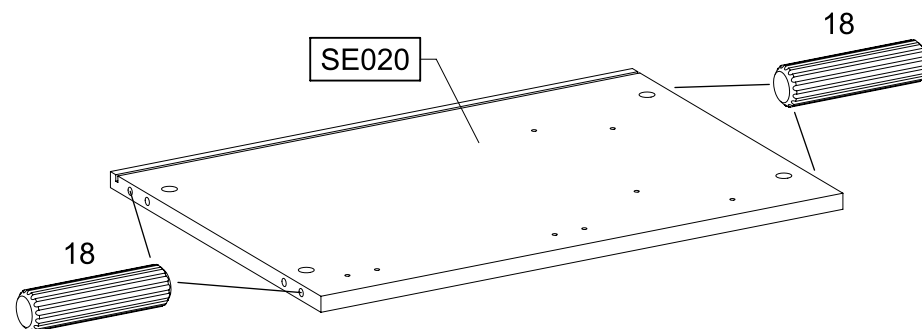
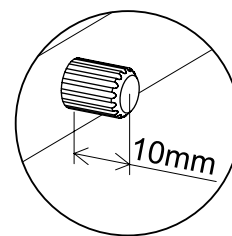
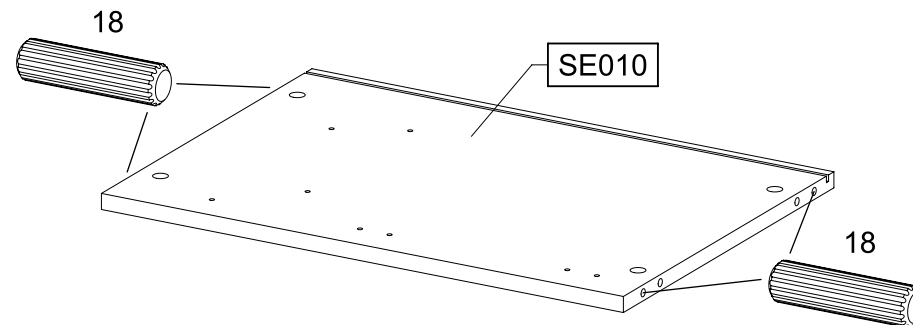
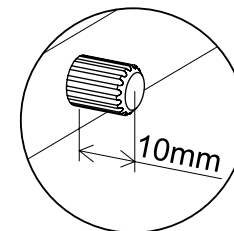
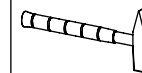


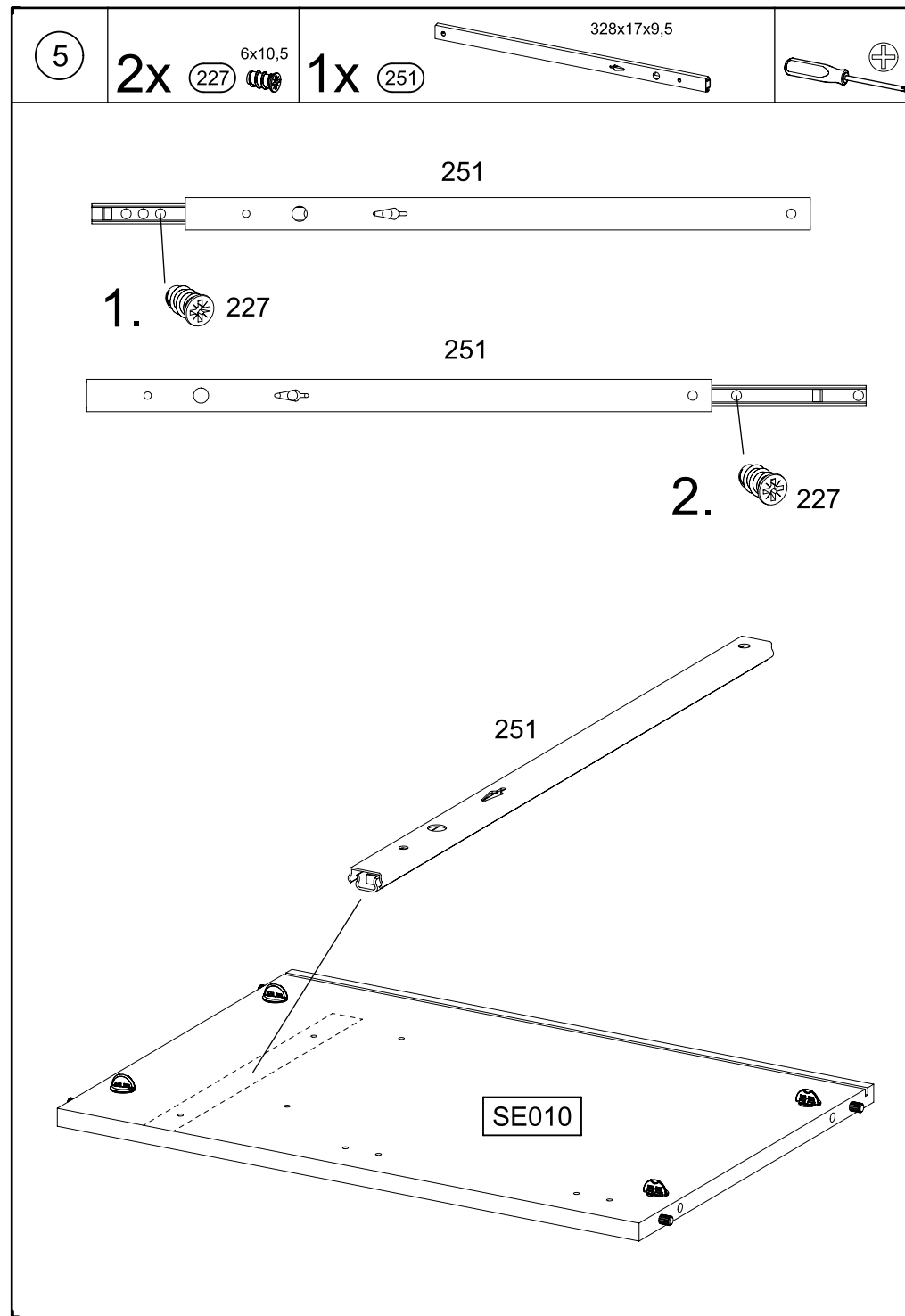
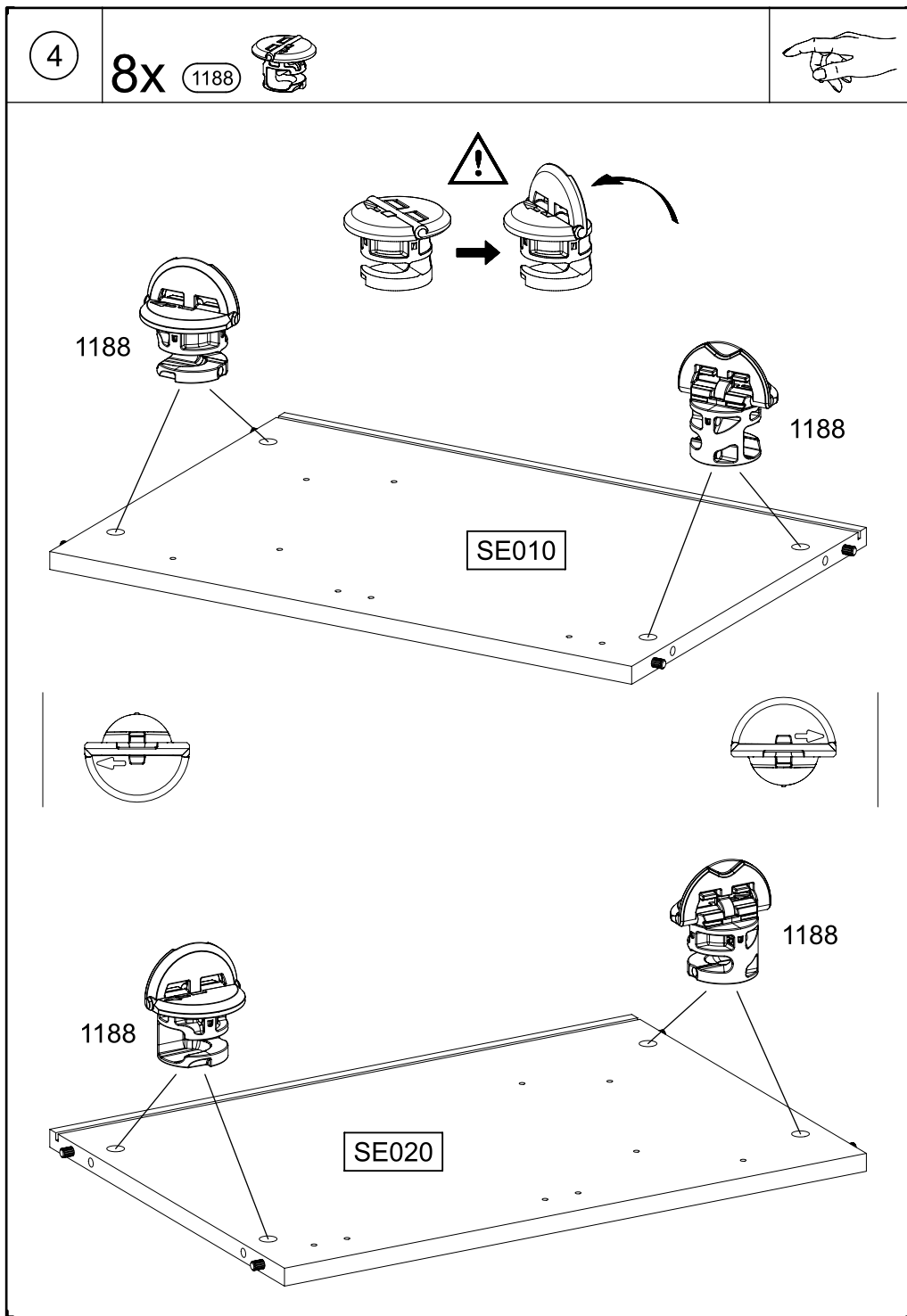
2

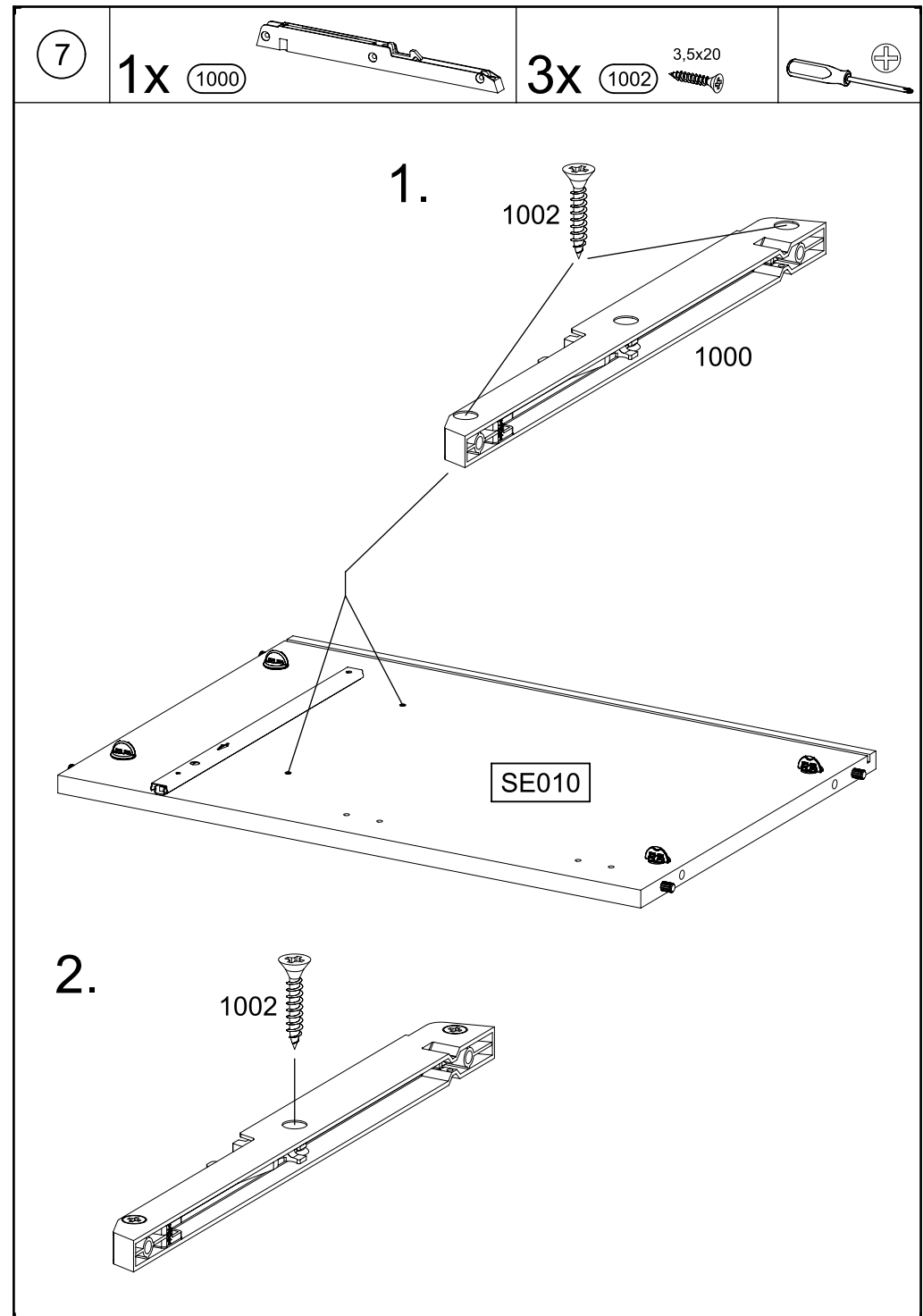
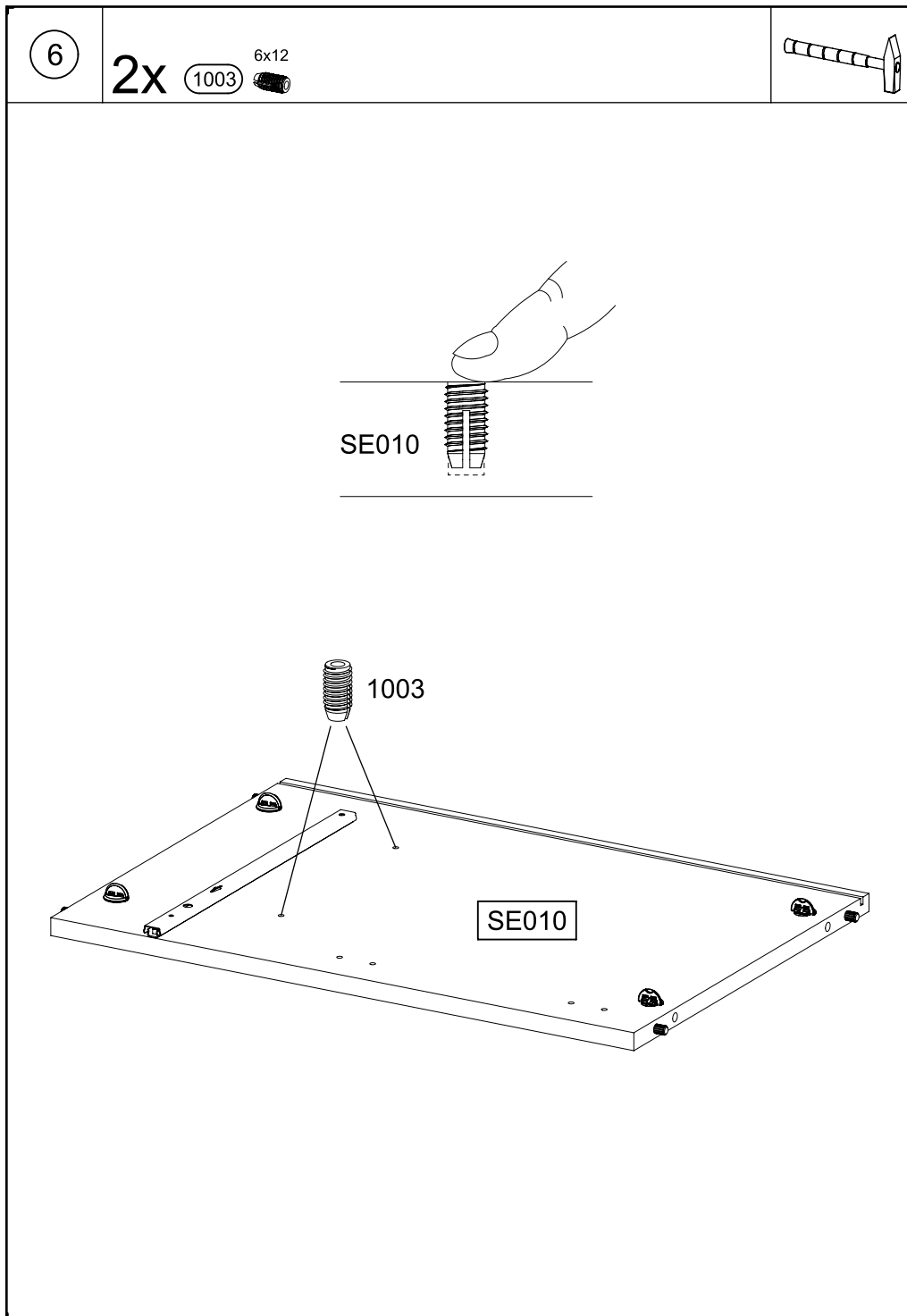


3

8x (18) 8x30



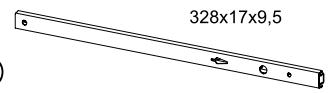




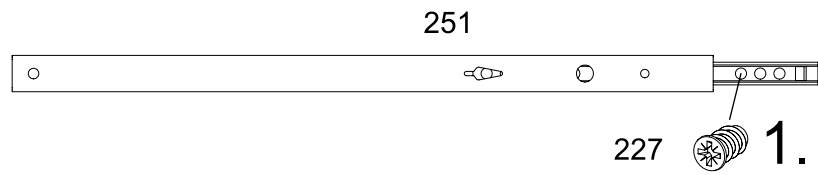
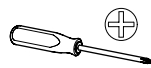
8

2x 227 6x10,5

1x 251

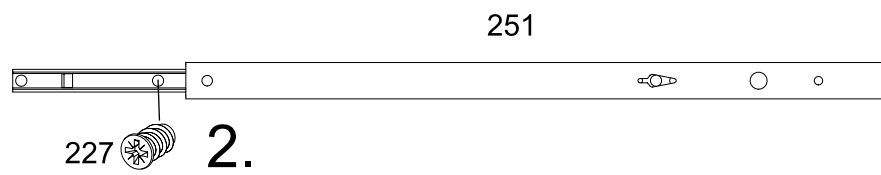


328x17x9,5



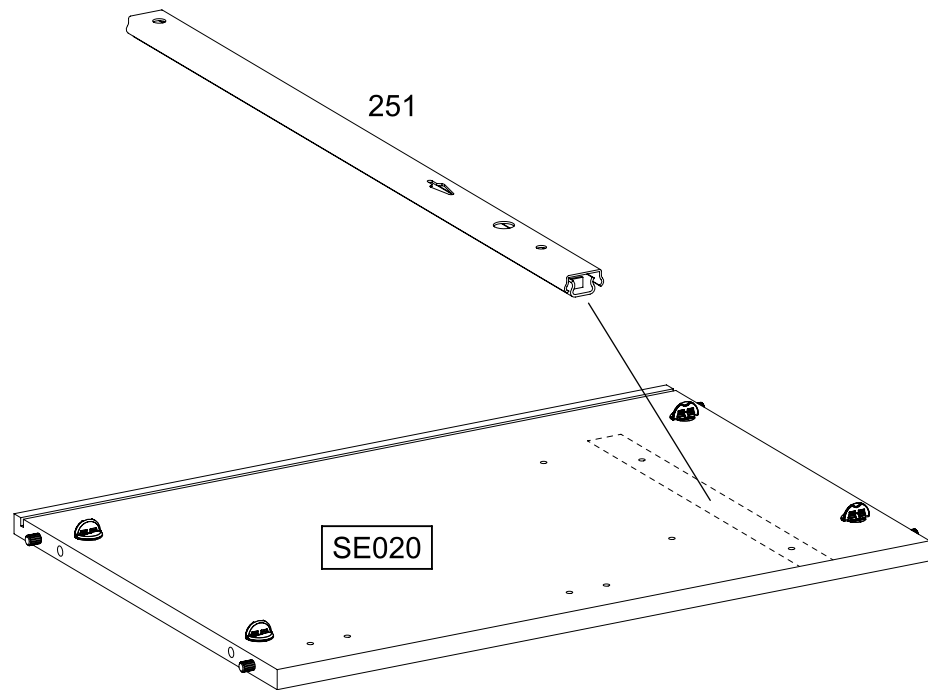
251

227 1.



251

227 2.

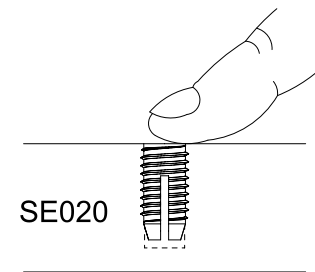
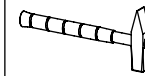


SE020

251

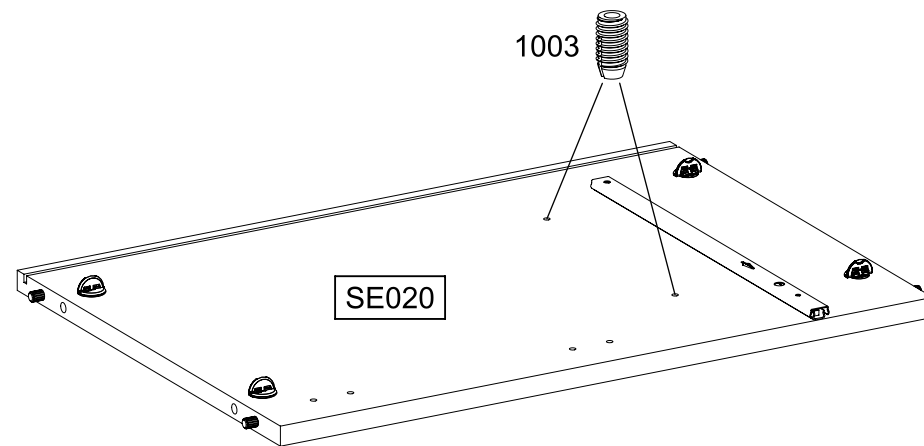
9

2x 1003 6x12



SE020

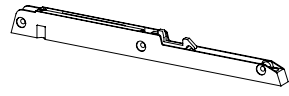
1003



SE020

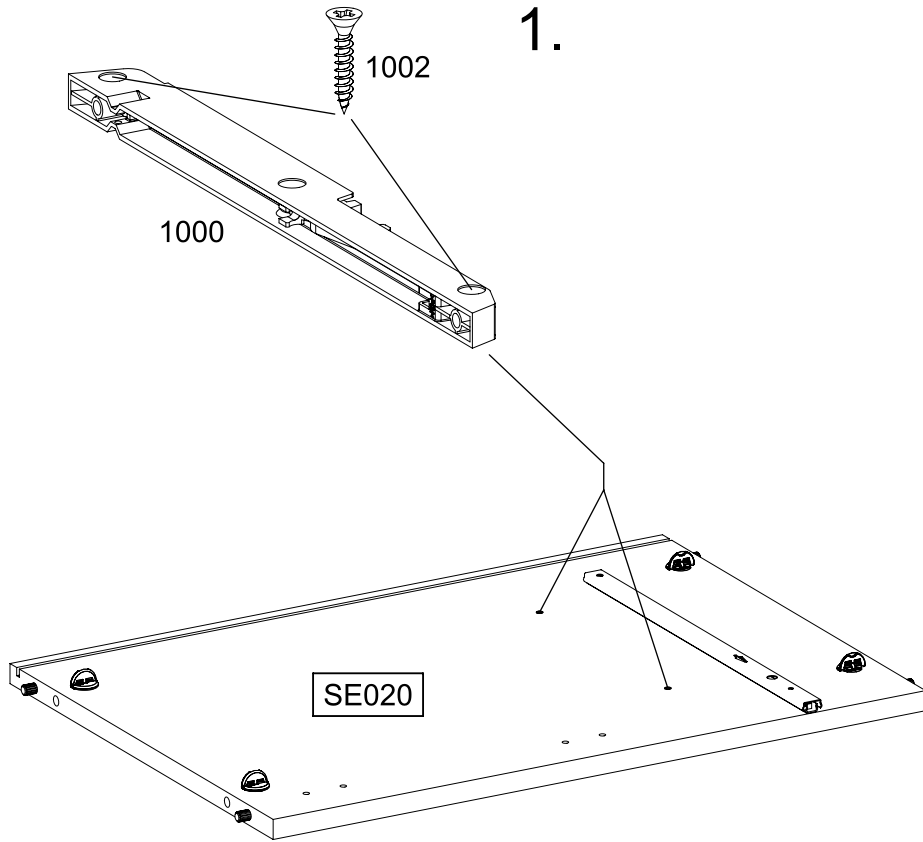
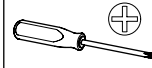
10

1x 1000

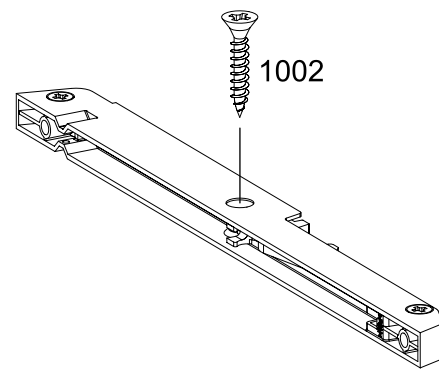


3x 1002

3,5x20

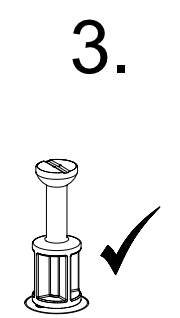
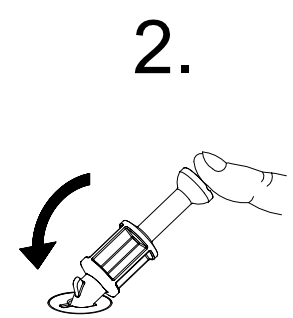
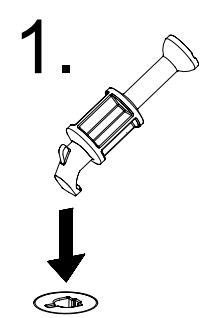
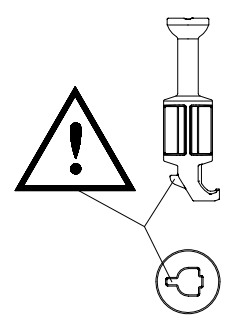
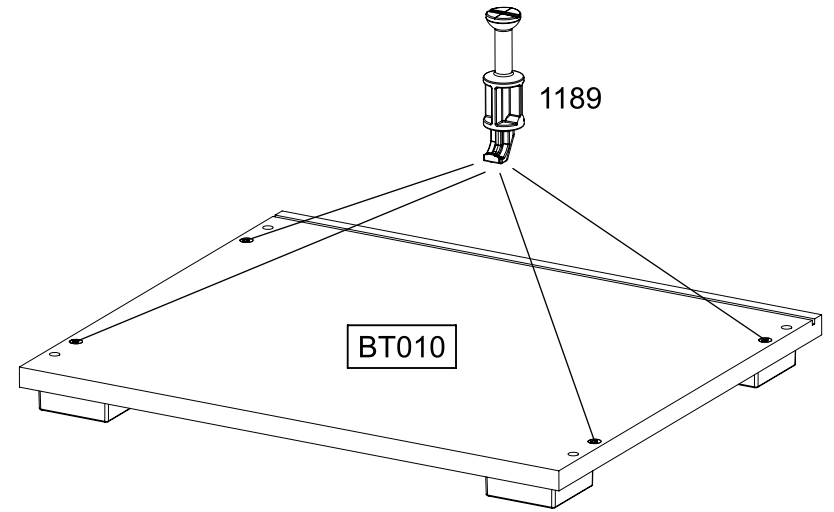
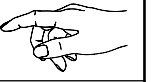


2.

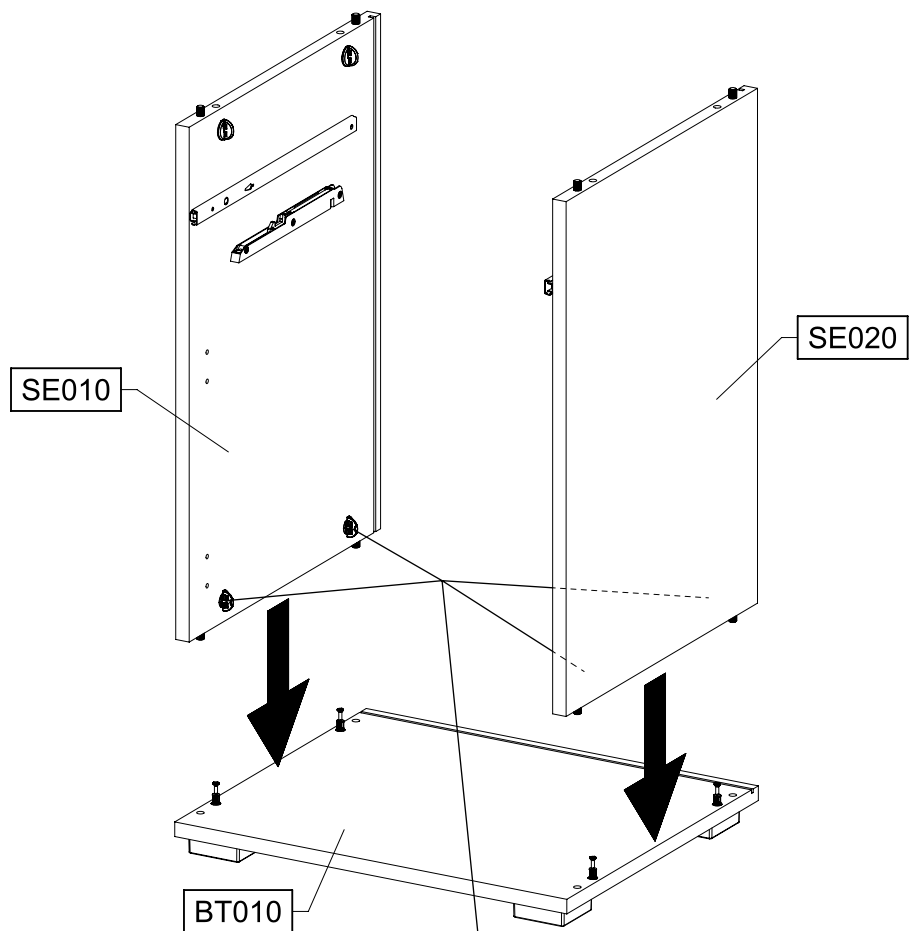


11

4x 1189

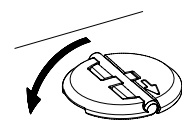
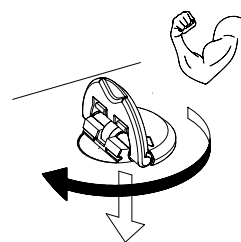


12

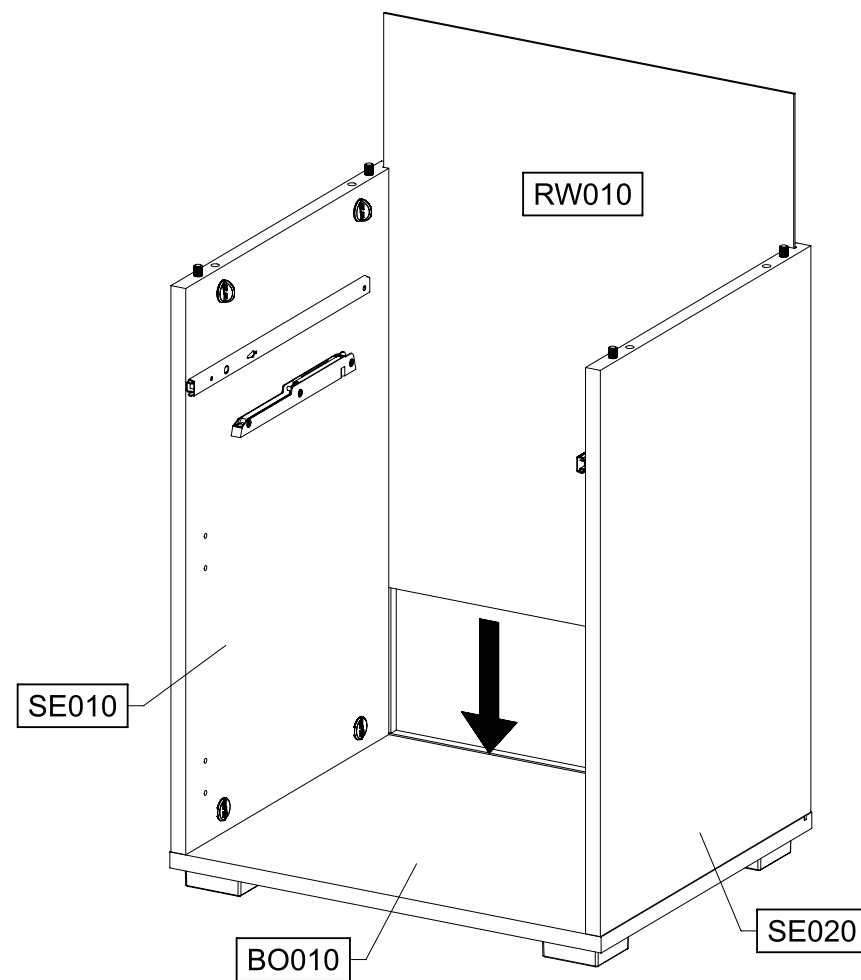


1.

2.



13



RW010

SE010

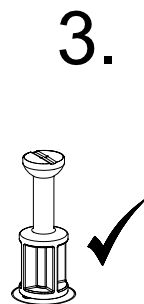
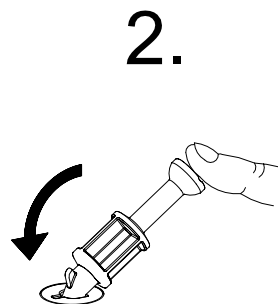
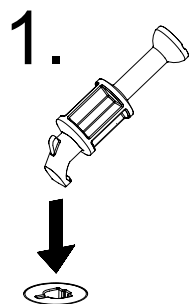
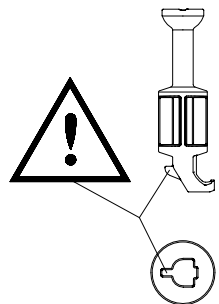
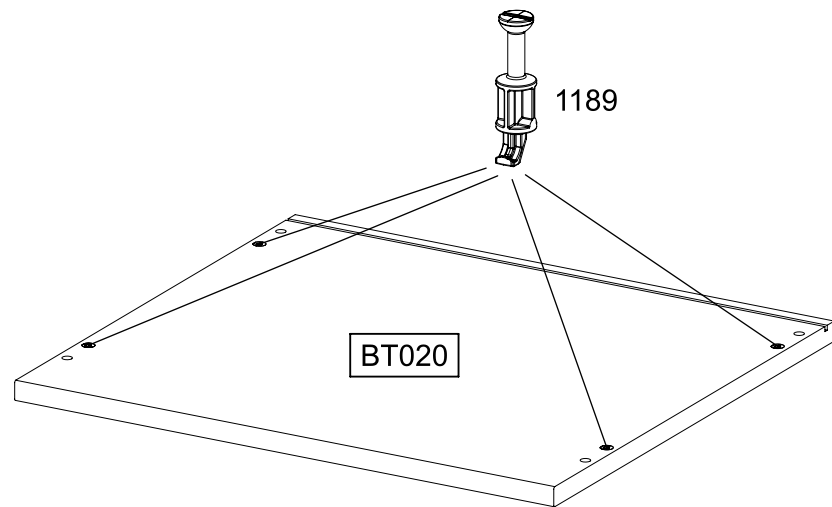
BO010

SE020

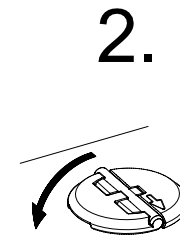
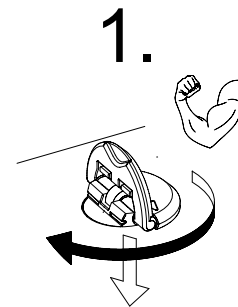
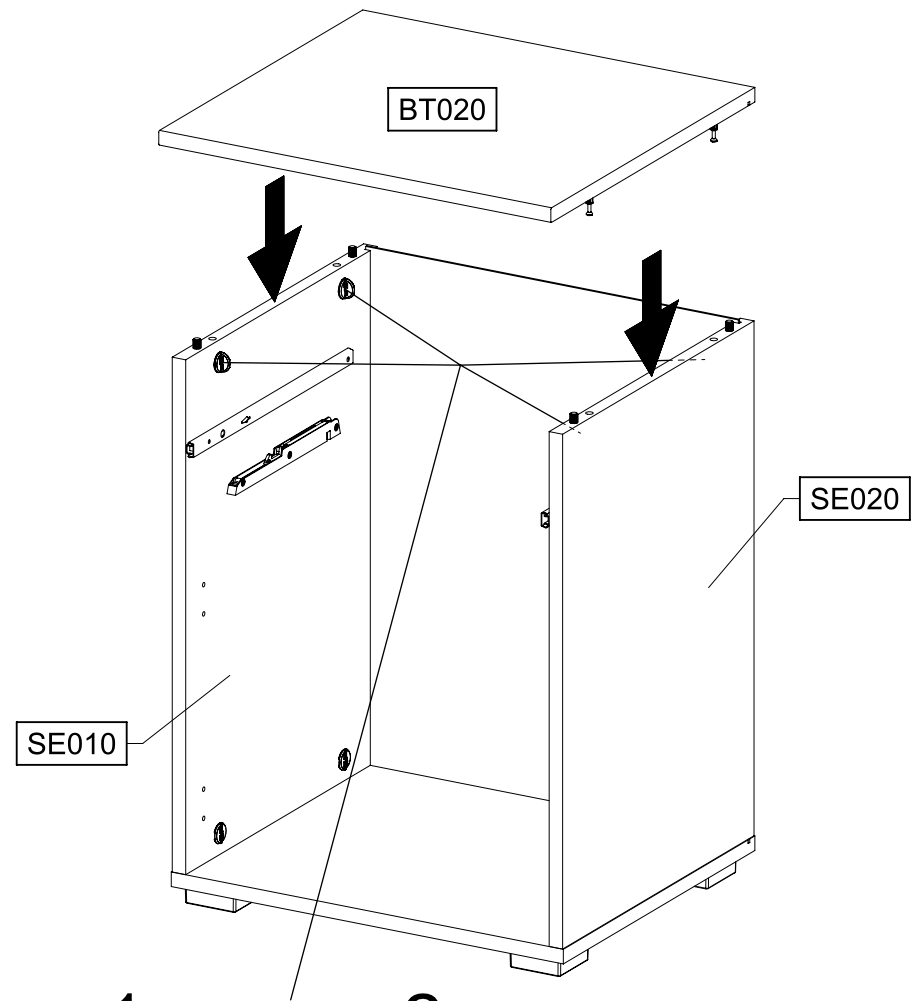


14

4x 1189



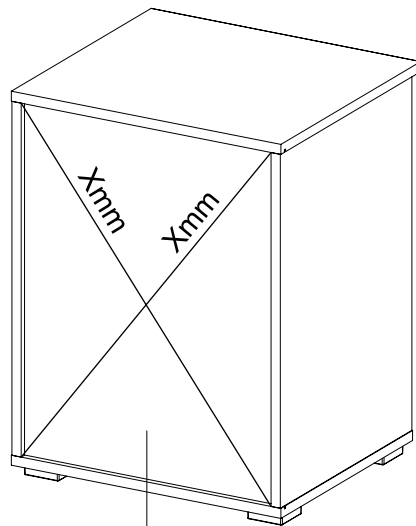
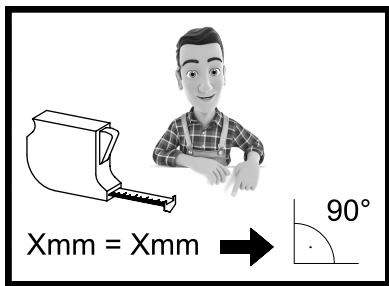
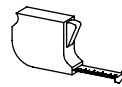
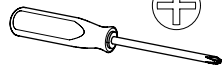
15



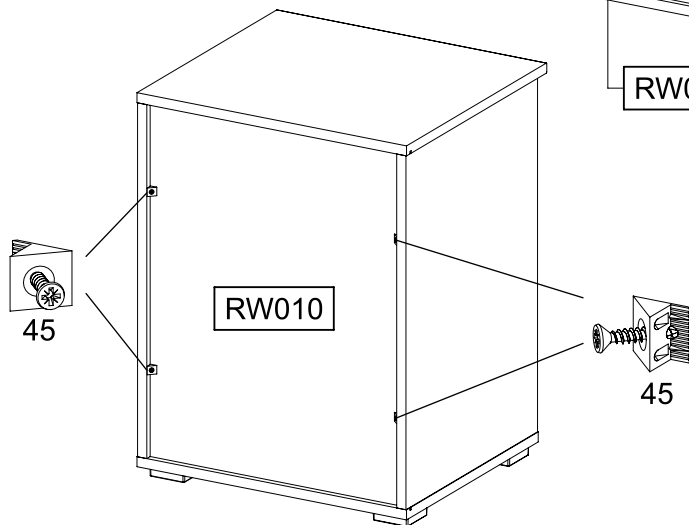
16

4x

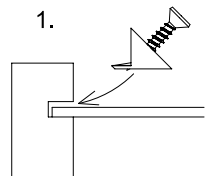
45



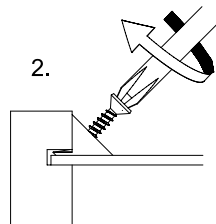
RW010



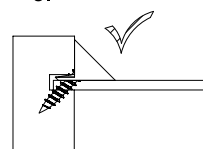
1.



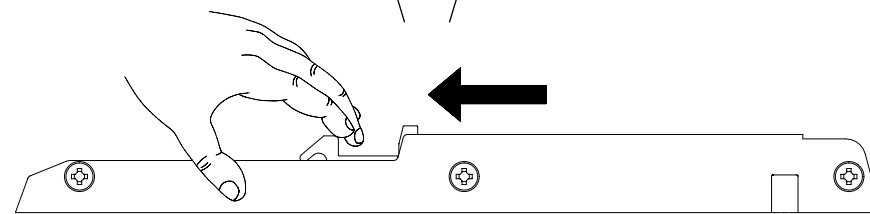
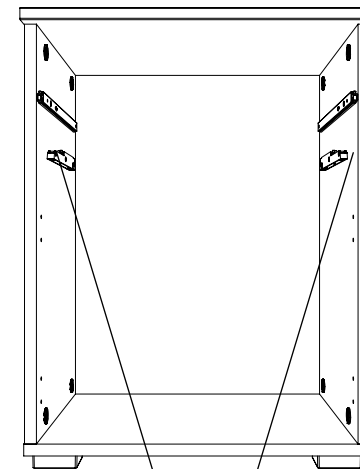
2.



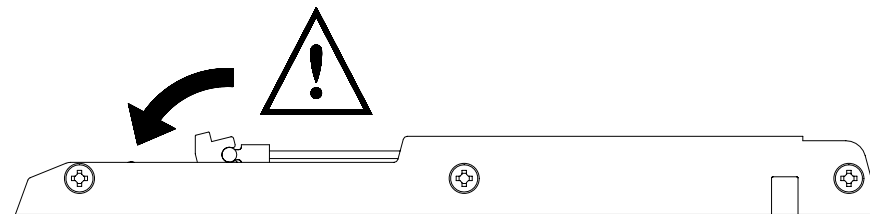
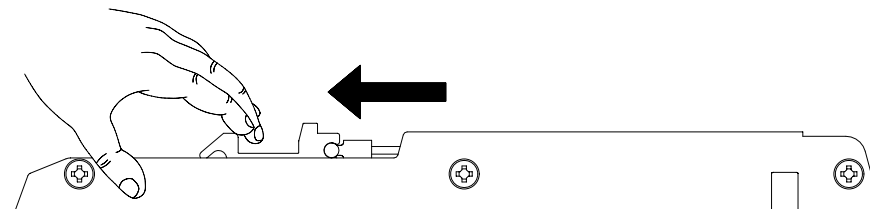
3.



17



1000



18

2x

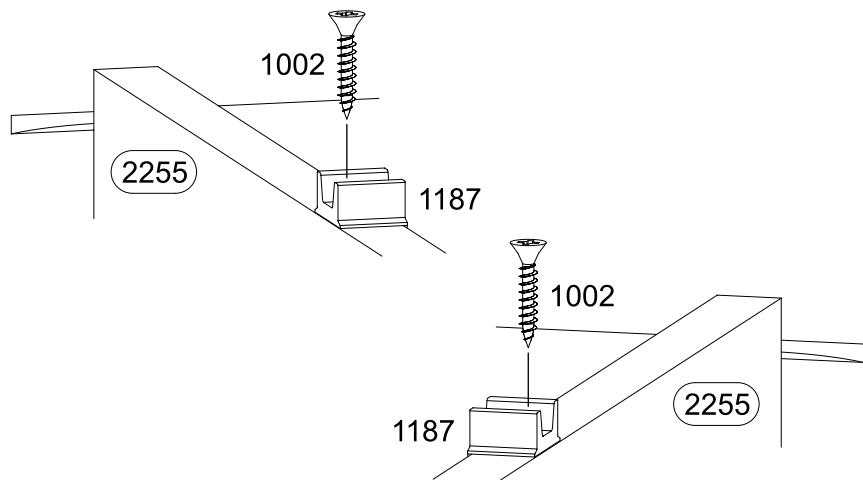
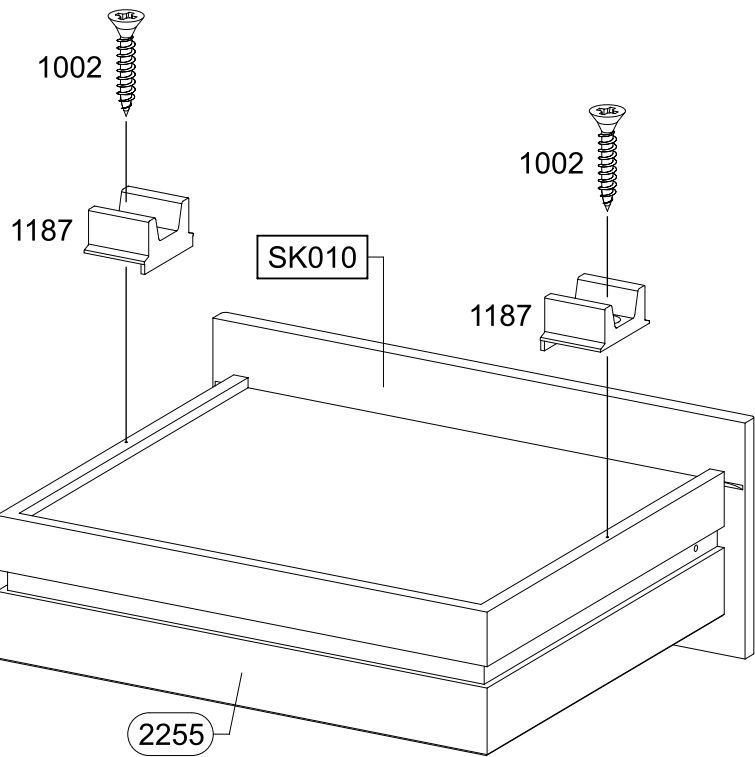
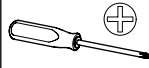
1002

3,5x20



2x

1187

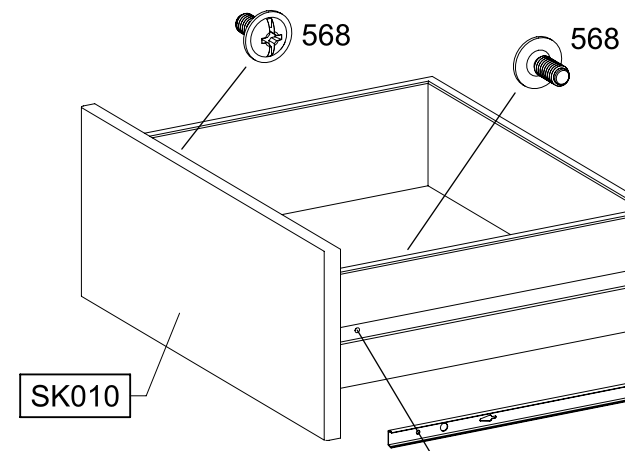
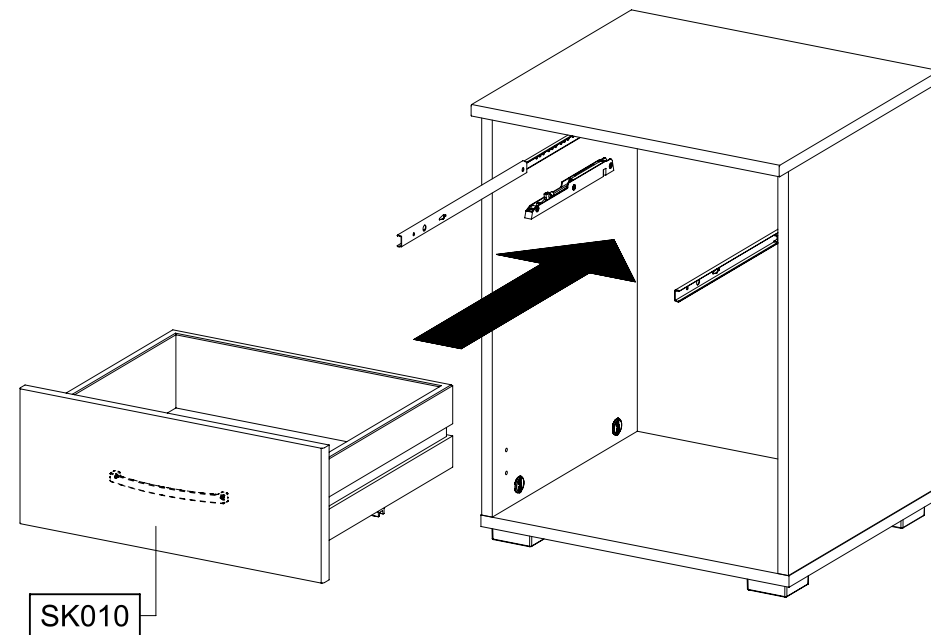
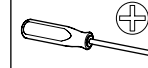


19

2x

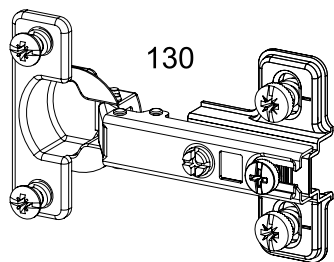
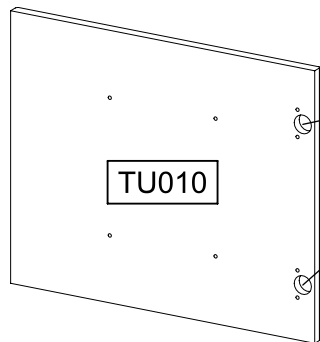
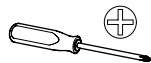
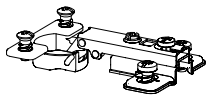
568

M4x9

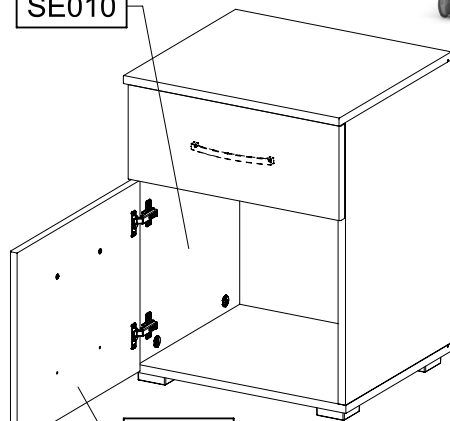


20

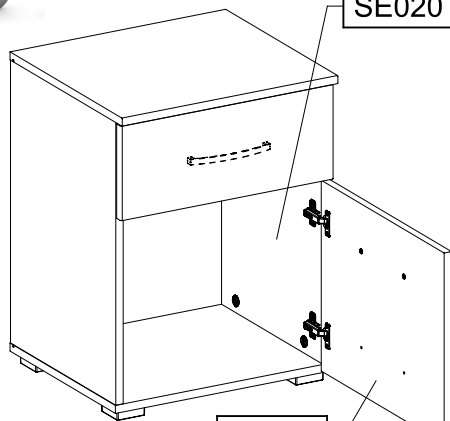
2x 130



SE010



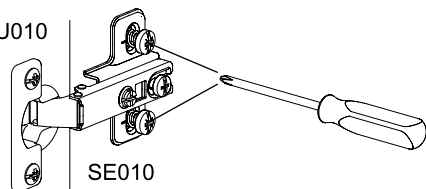
SE020



TU010

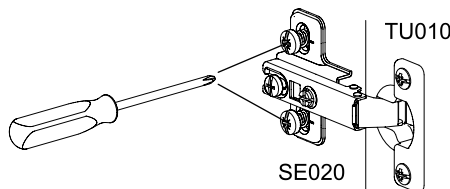
TU010

TU010



SE010

TU010



SE020

21

