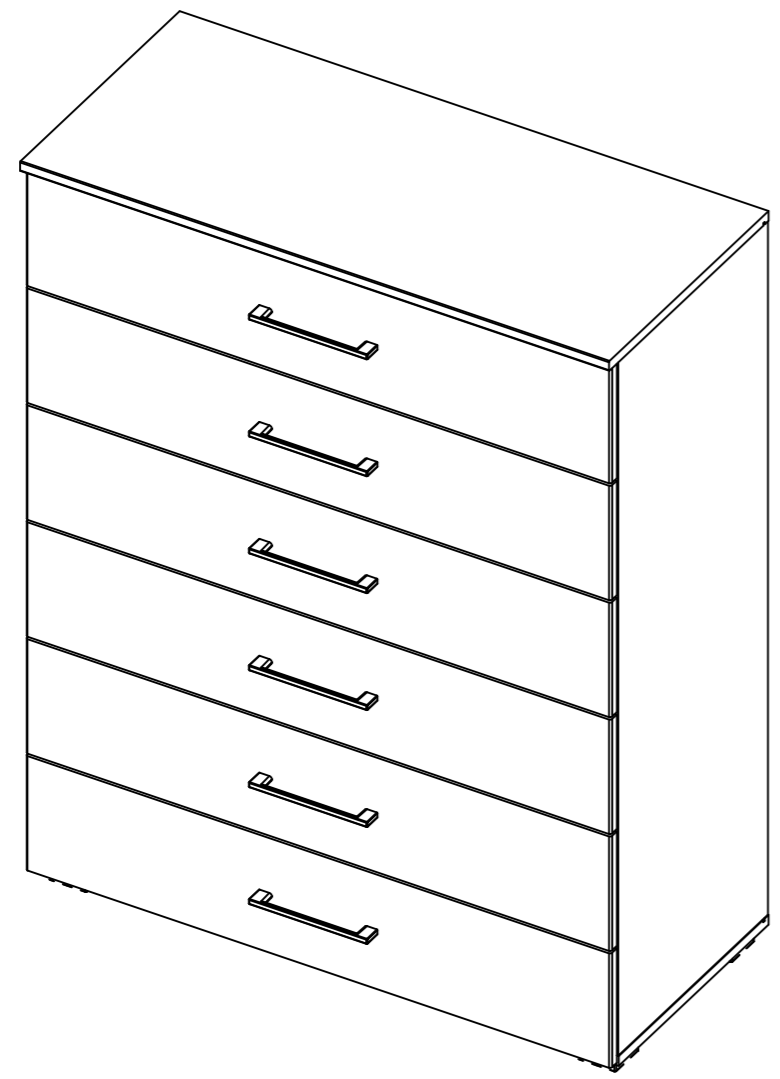
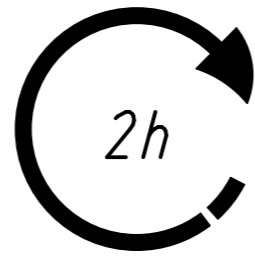
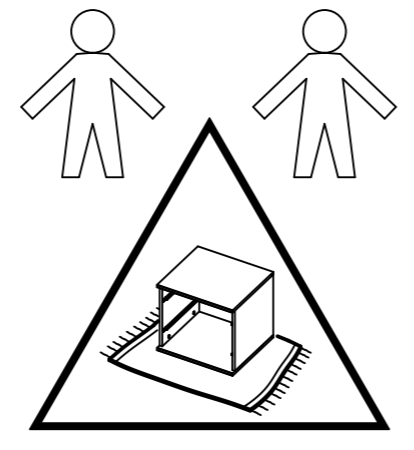
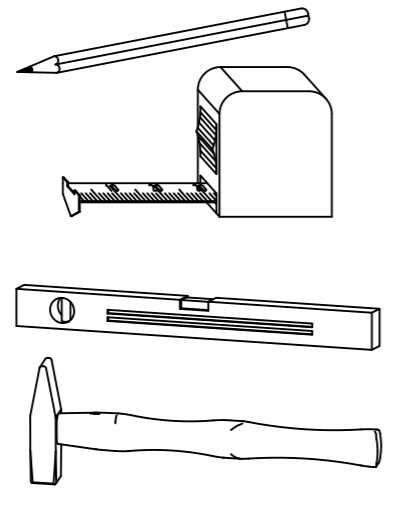
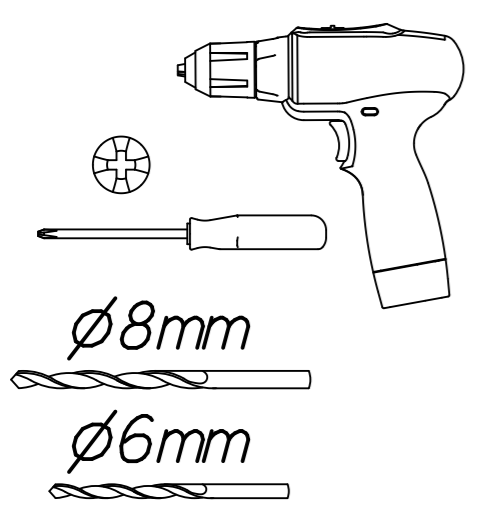


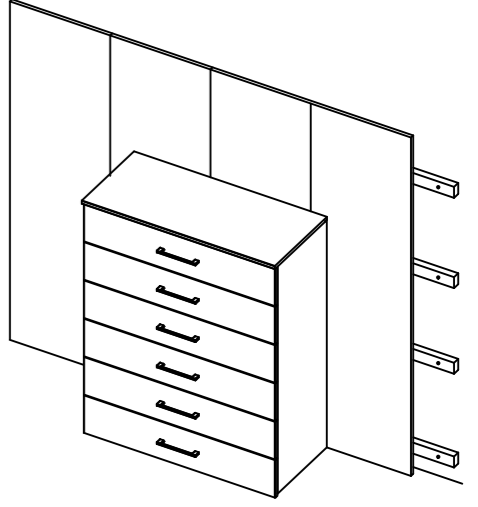
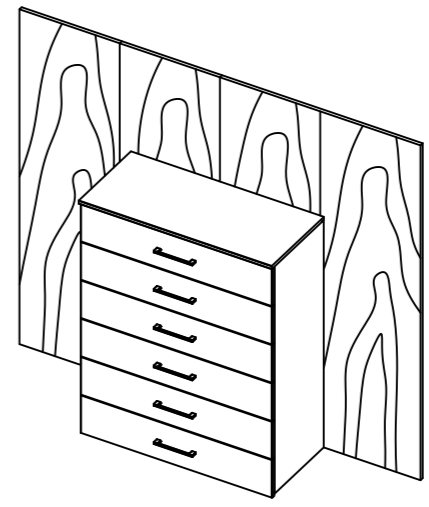
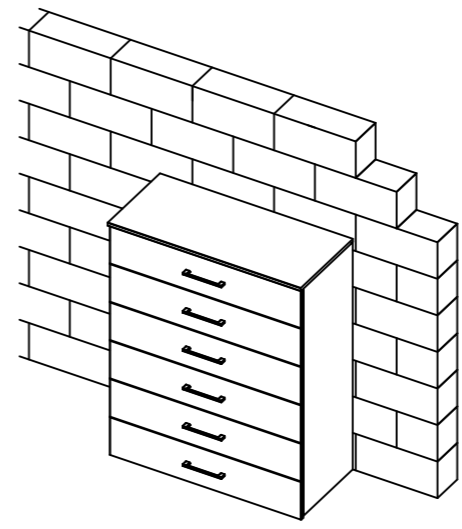
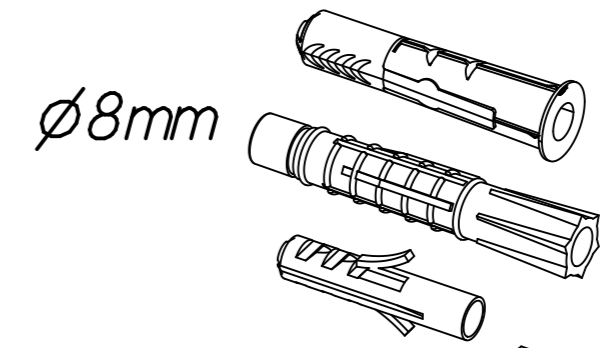
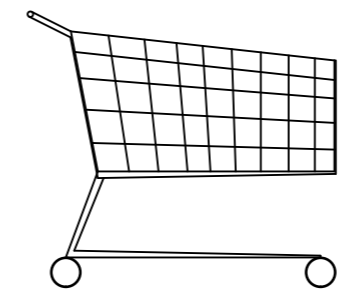
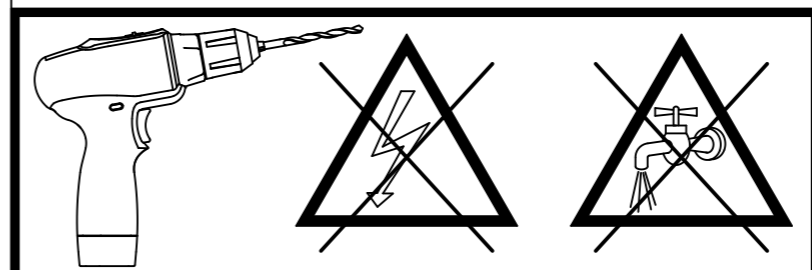
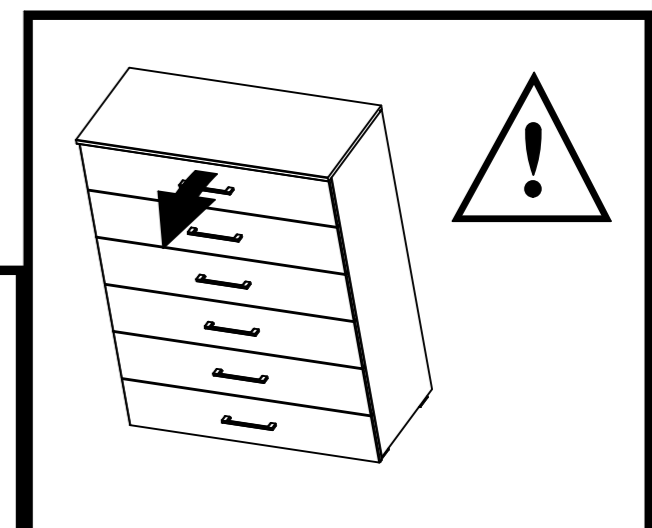
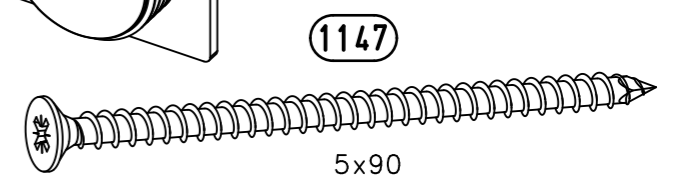
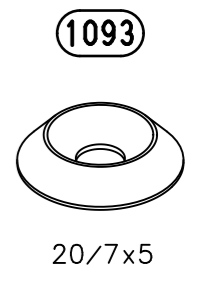
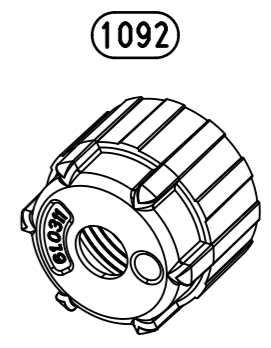
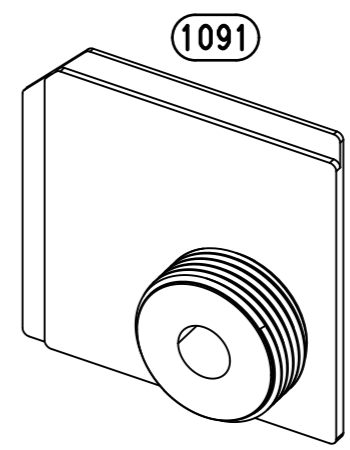
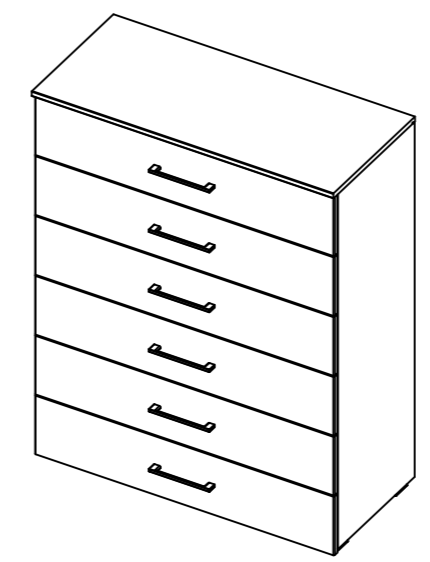
1.

M2532\_04

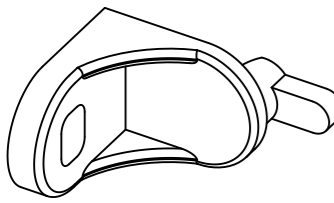
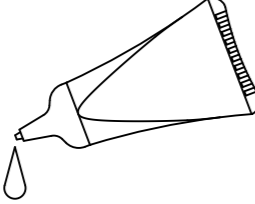
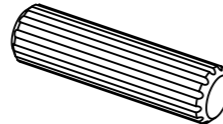
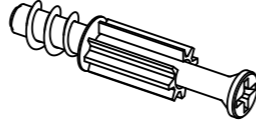
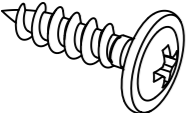
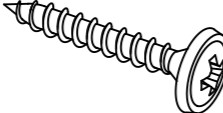
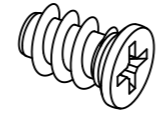
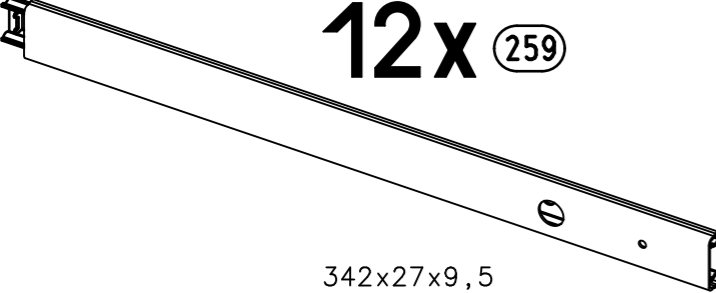

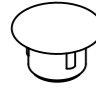

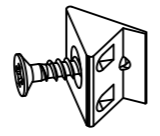
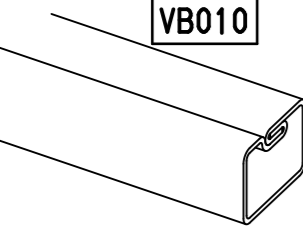
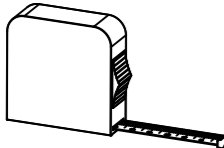
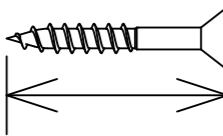
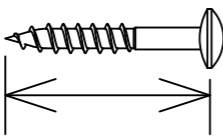
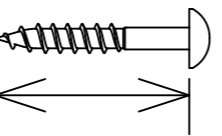


2.

2x

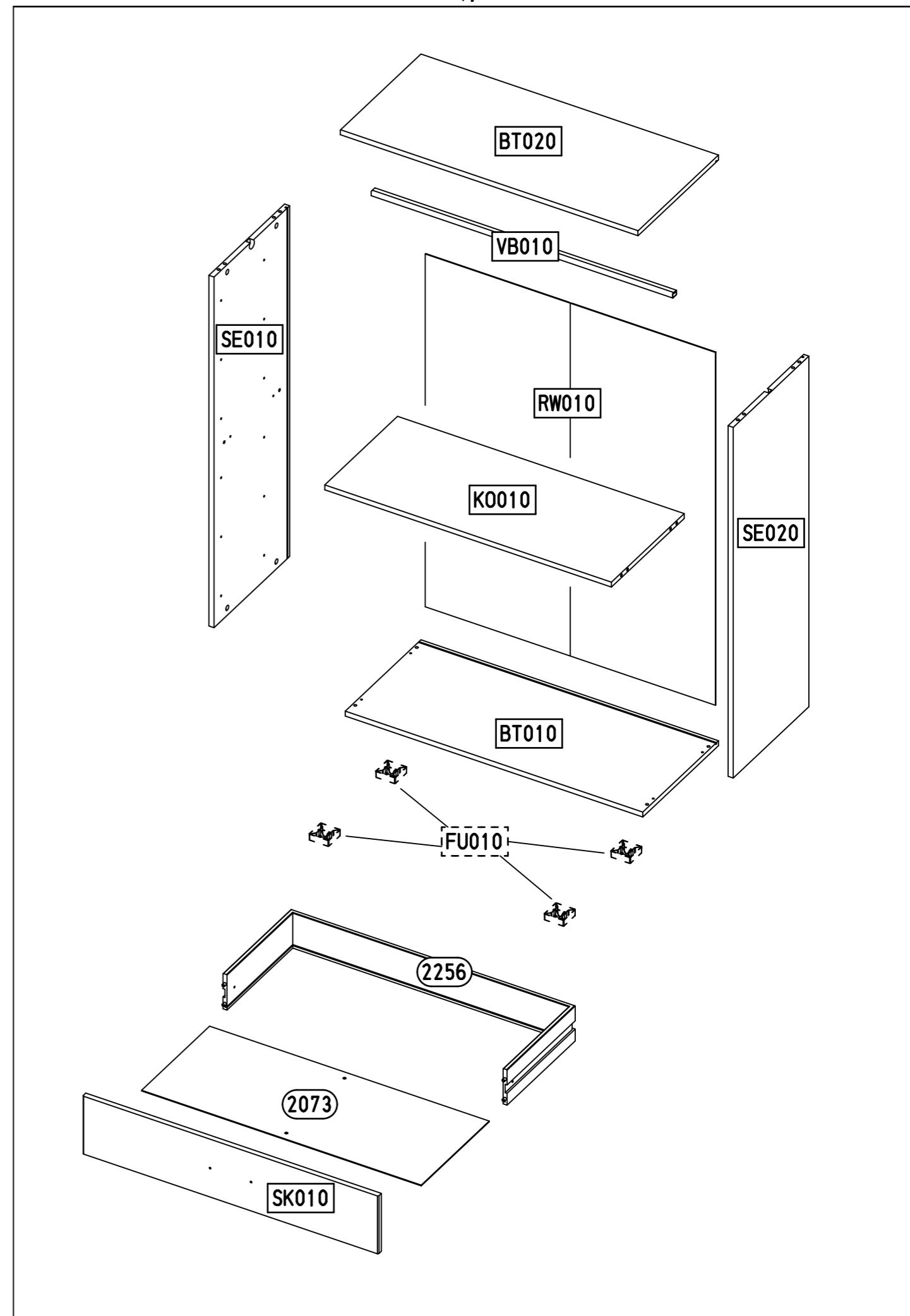


3.

<p><b>12x</b> (1)</p> 	<p>(11)</p> 	<p><b>12x</b> (18)</p>  <p>8x30</p>	<p><b>12x</b> (183)</p>  <p>23/10x7,5</p>
<p><b>12x</b> (201)</p>  <p>4x15</p>	<p><b>6x</b> (215)</p>  <p>3x20</p>	<p><b>24x</b> (227)</p>  <p>6x10,5</p>	
<p><b>12x</b> (259)</p>  <p>342x27x9,5</p>		<p><b>12x</b> (349)</p> 	
<p><b>24x</b> (405)</p> 	<p><b>12x</b> (568)</p>  <p>M4x9</p>	<p><b>4x</b> (45)</p> 	
<p>VB010</p> 			
   			

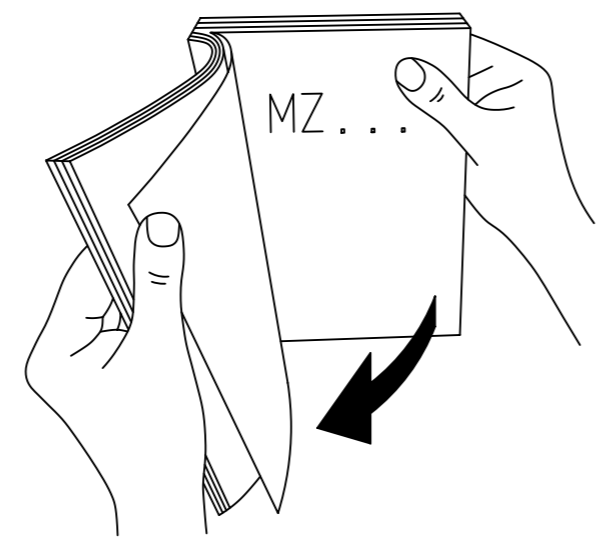
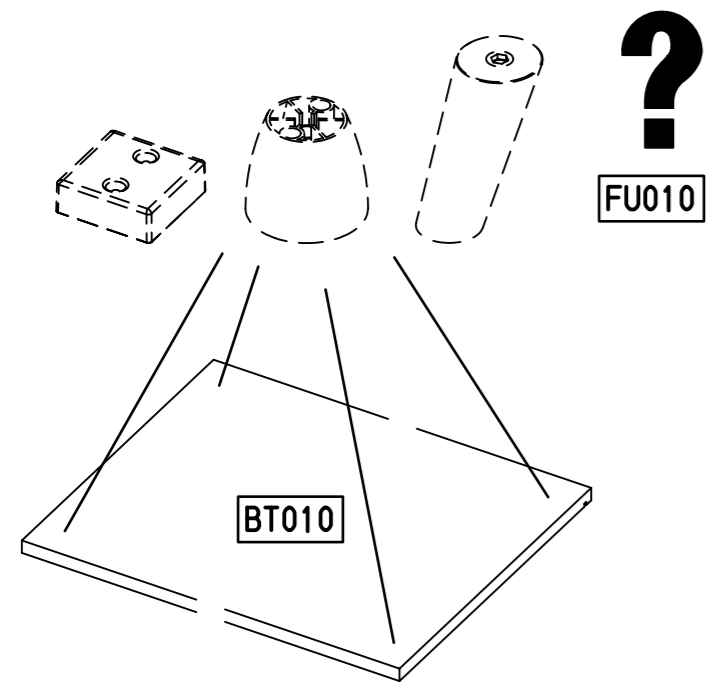
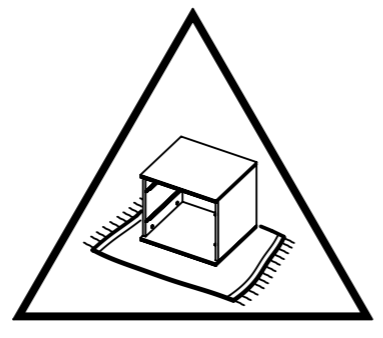
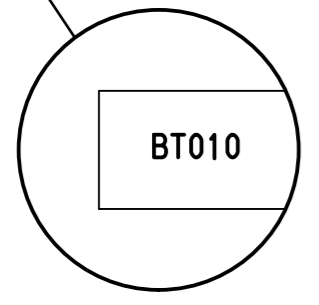
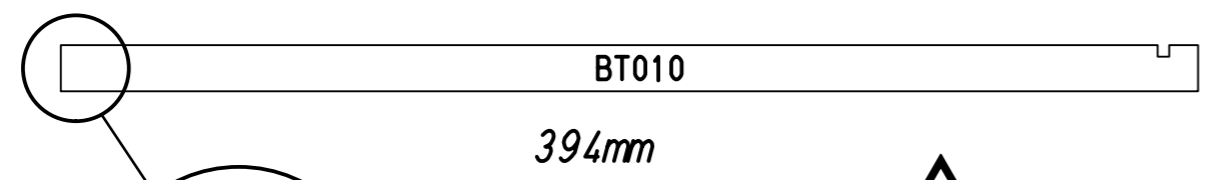
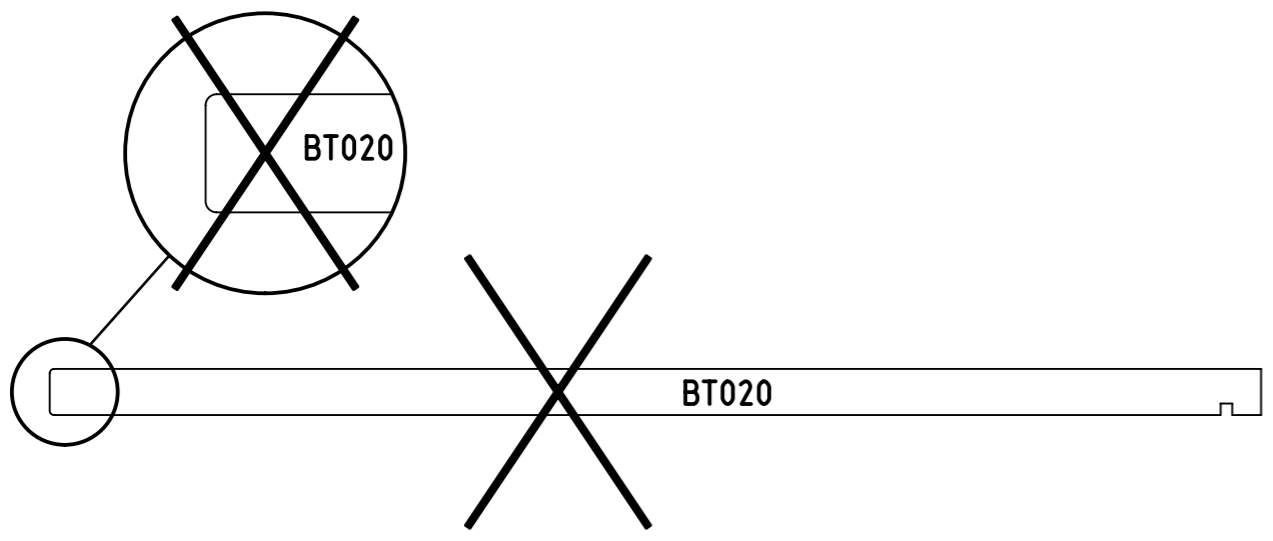
M2532

4.

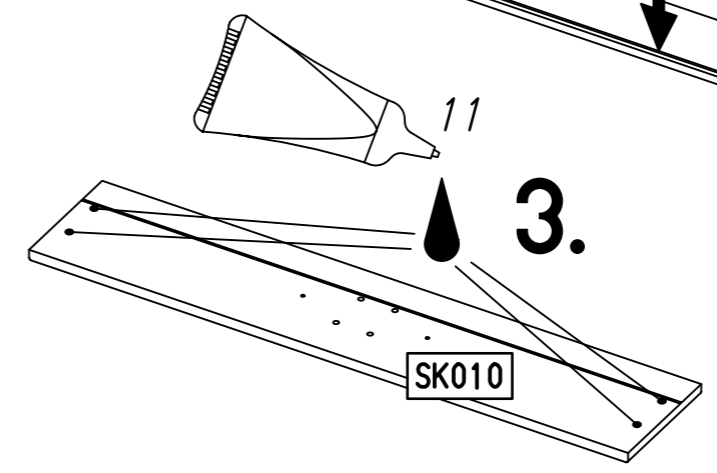
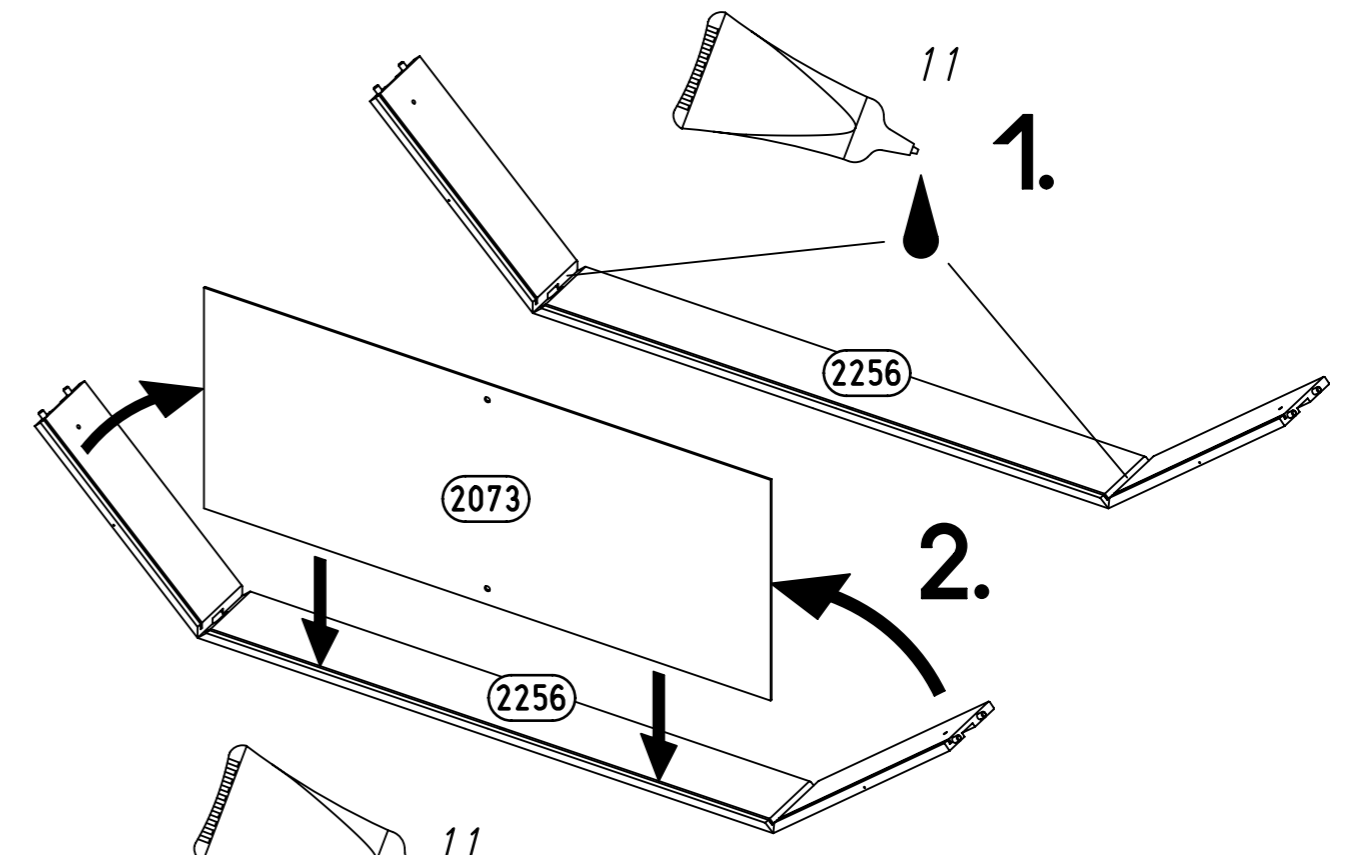
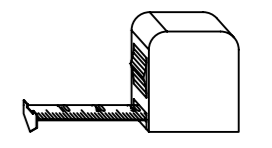
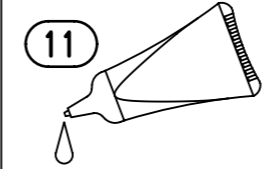


M2532

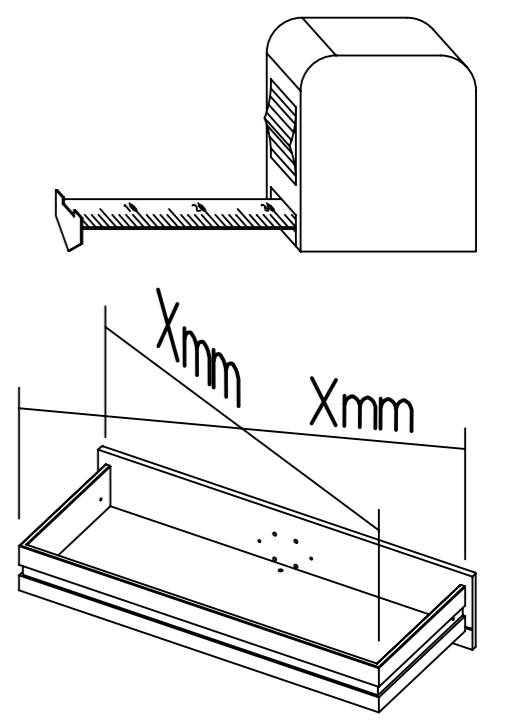
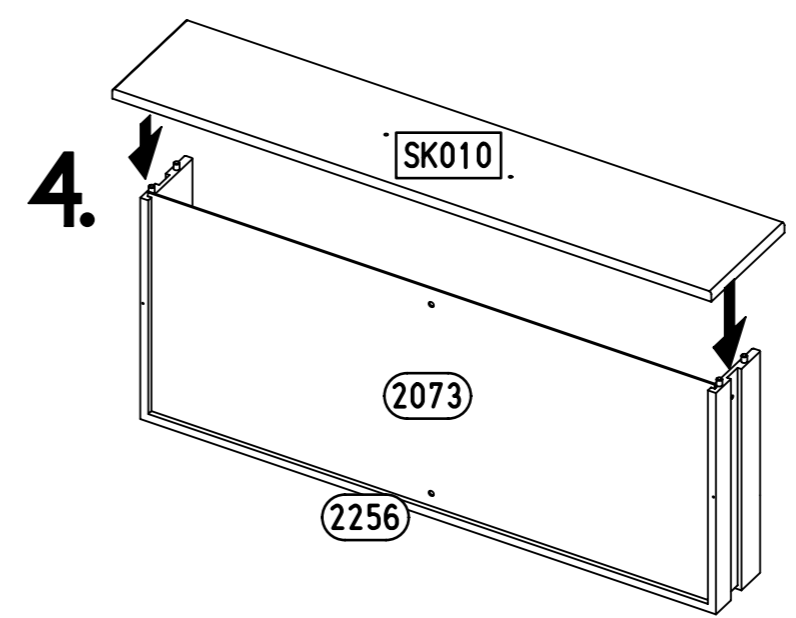
1



2



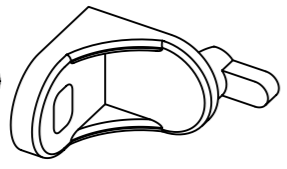
Xmm = Xmm



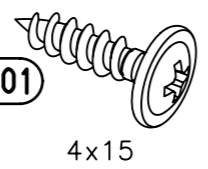
7.

3

12x ①

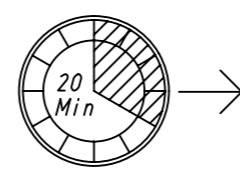
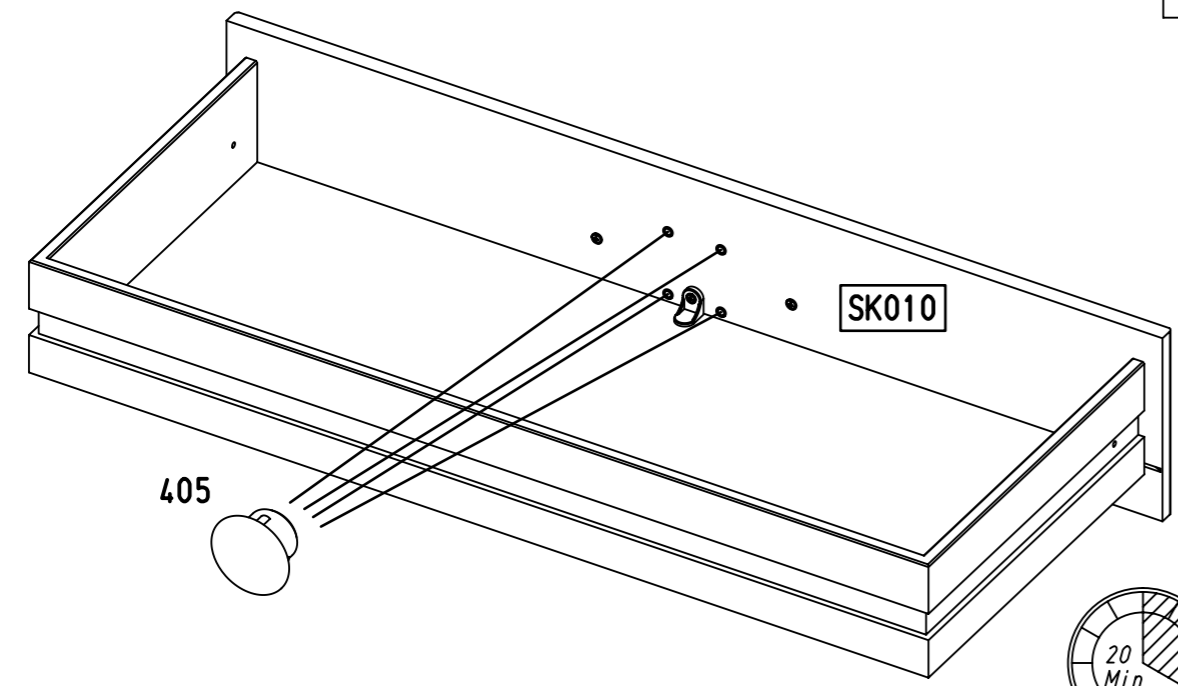
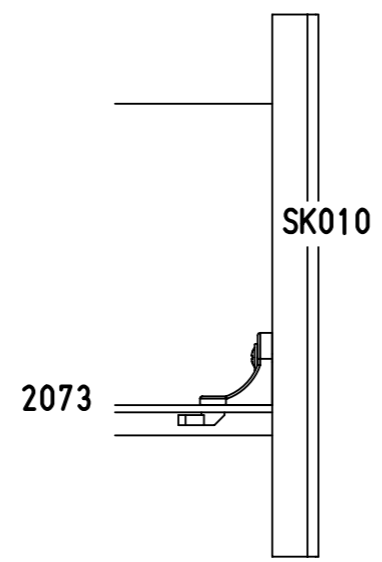
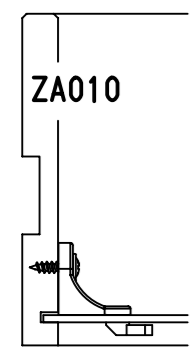
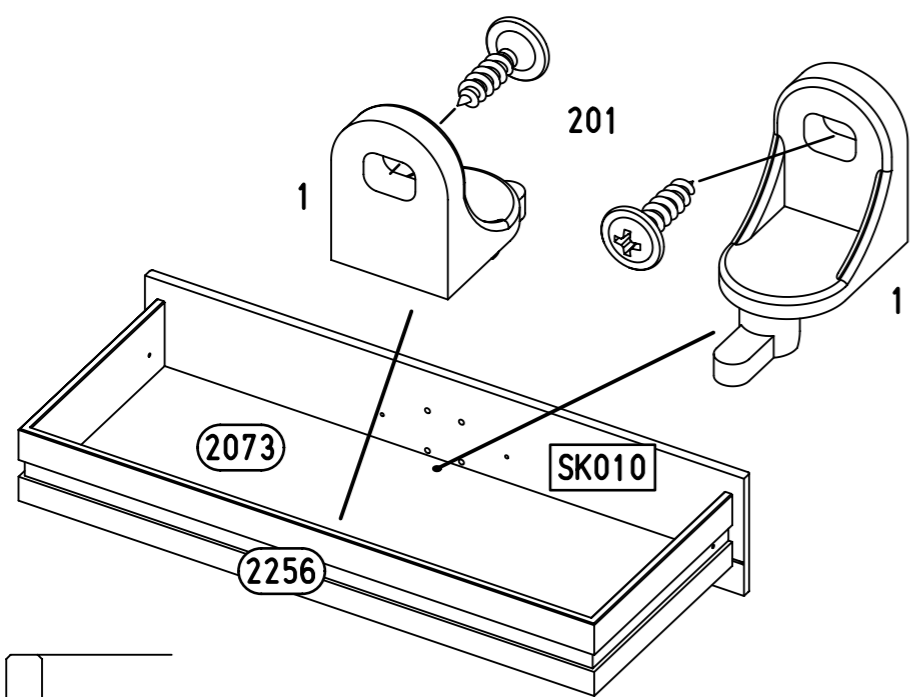
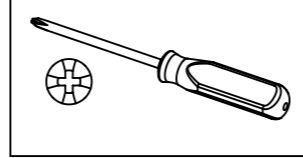


12x ②01



4x15

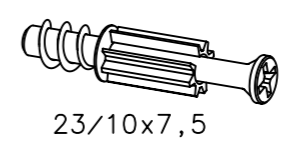
24x ③405



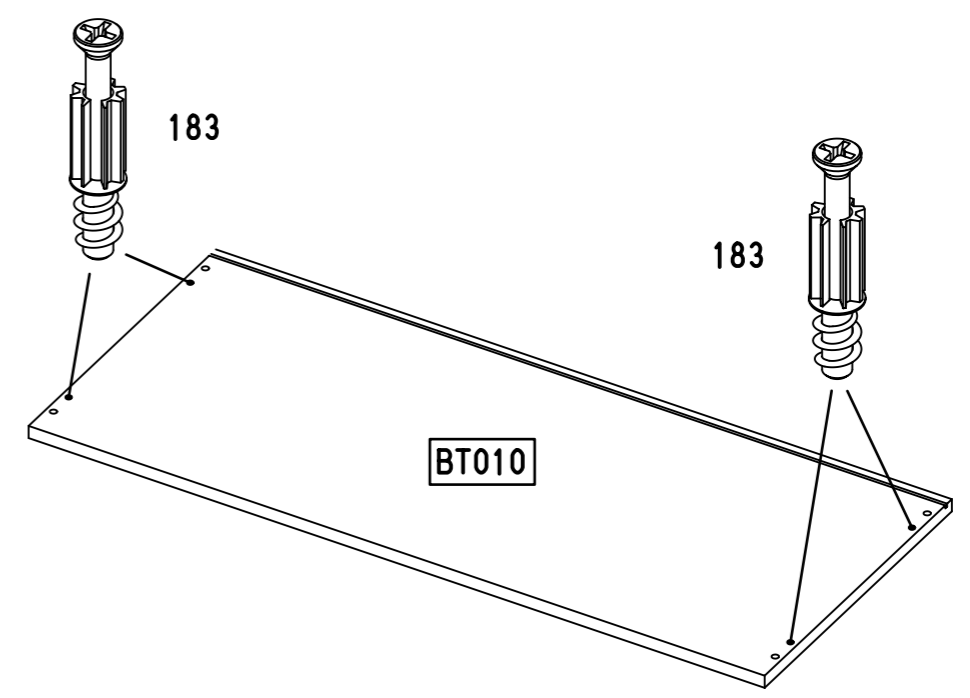
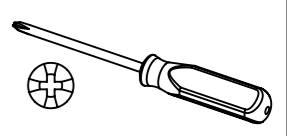
8.

4

4x ④183

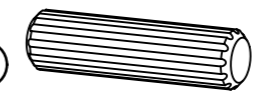


23/10x7,5

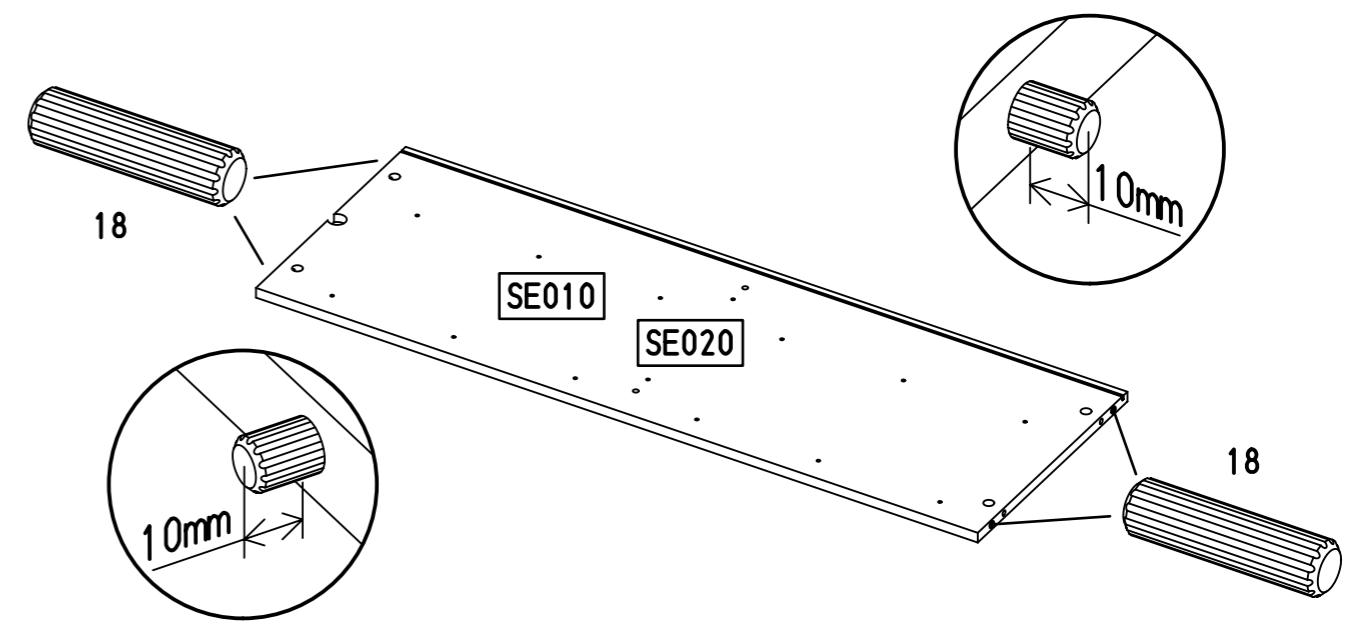


5

8x ⑤18

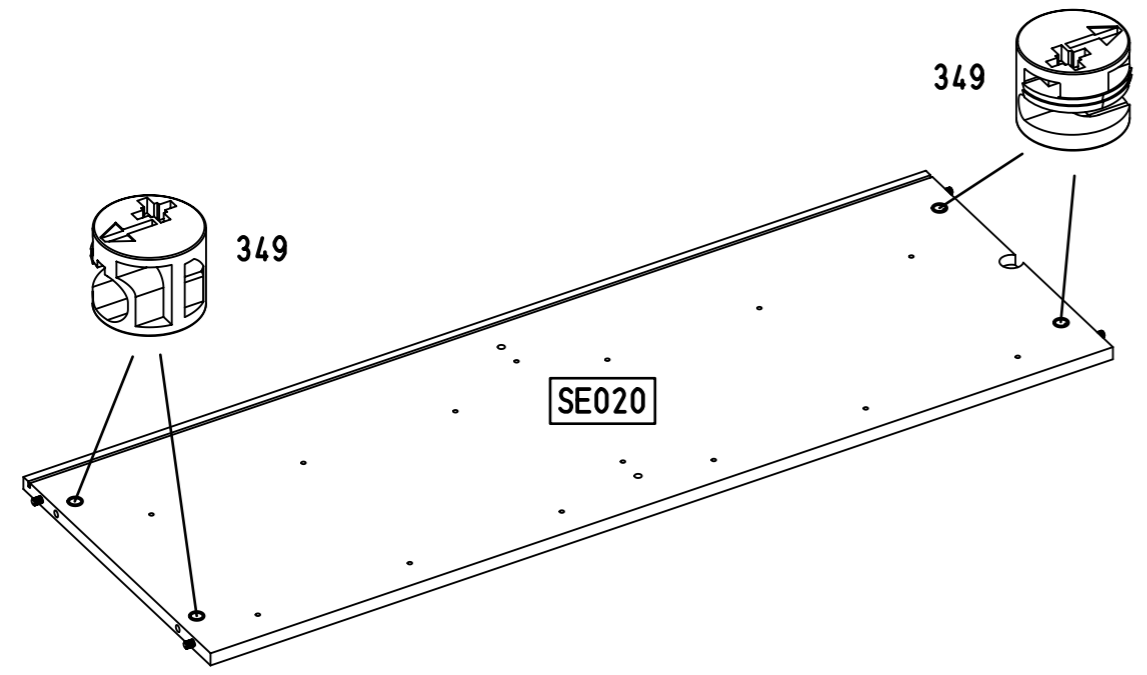
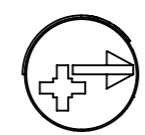
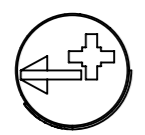
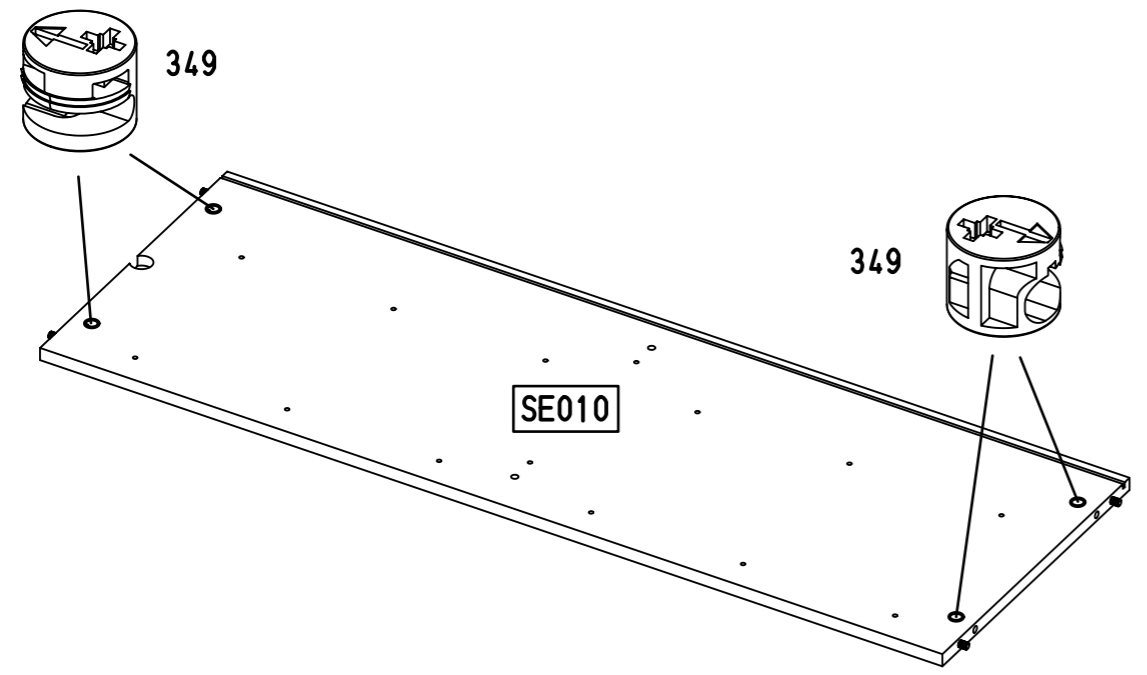
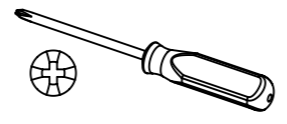


8x30



6

8x 349

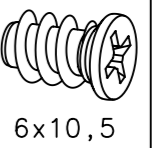


7

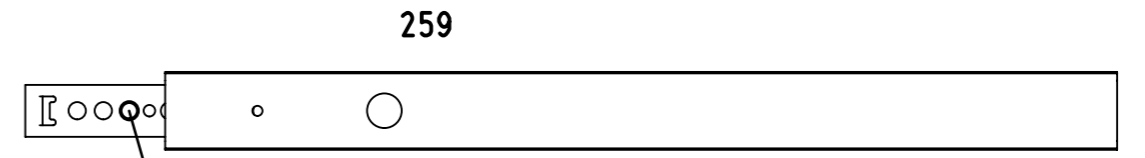
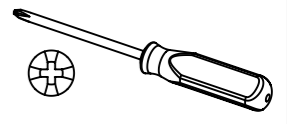
6x 259

342x27x9,5

12x 227



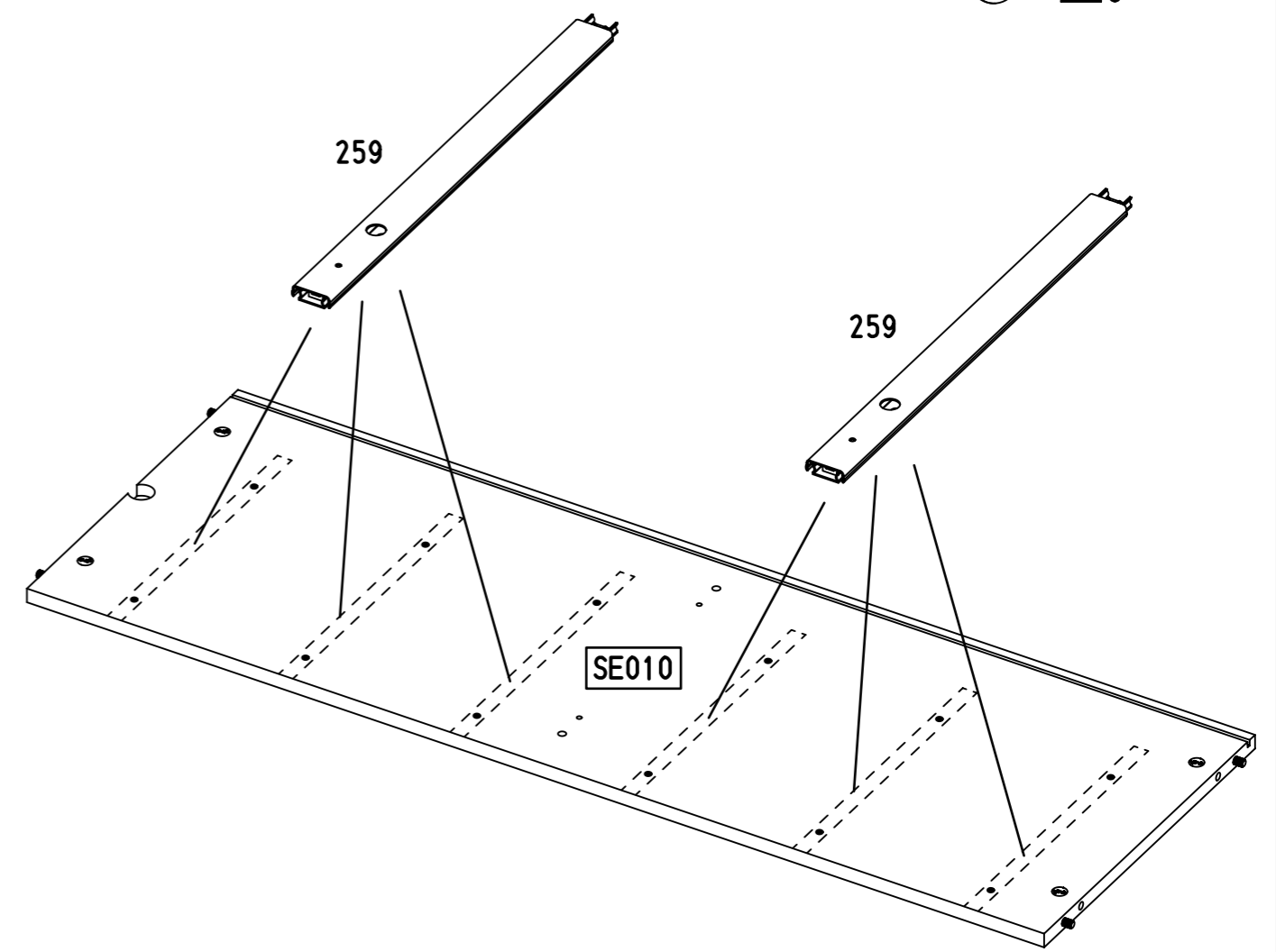
6x10,5



1. 227



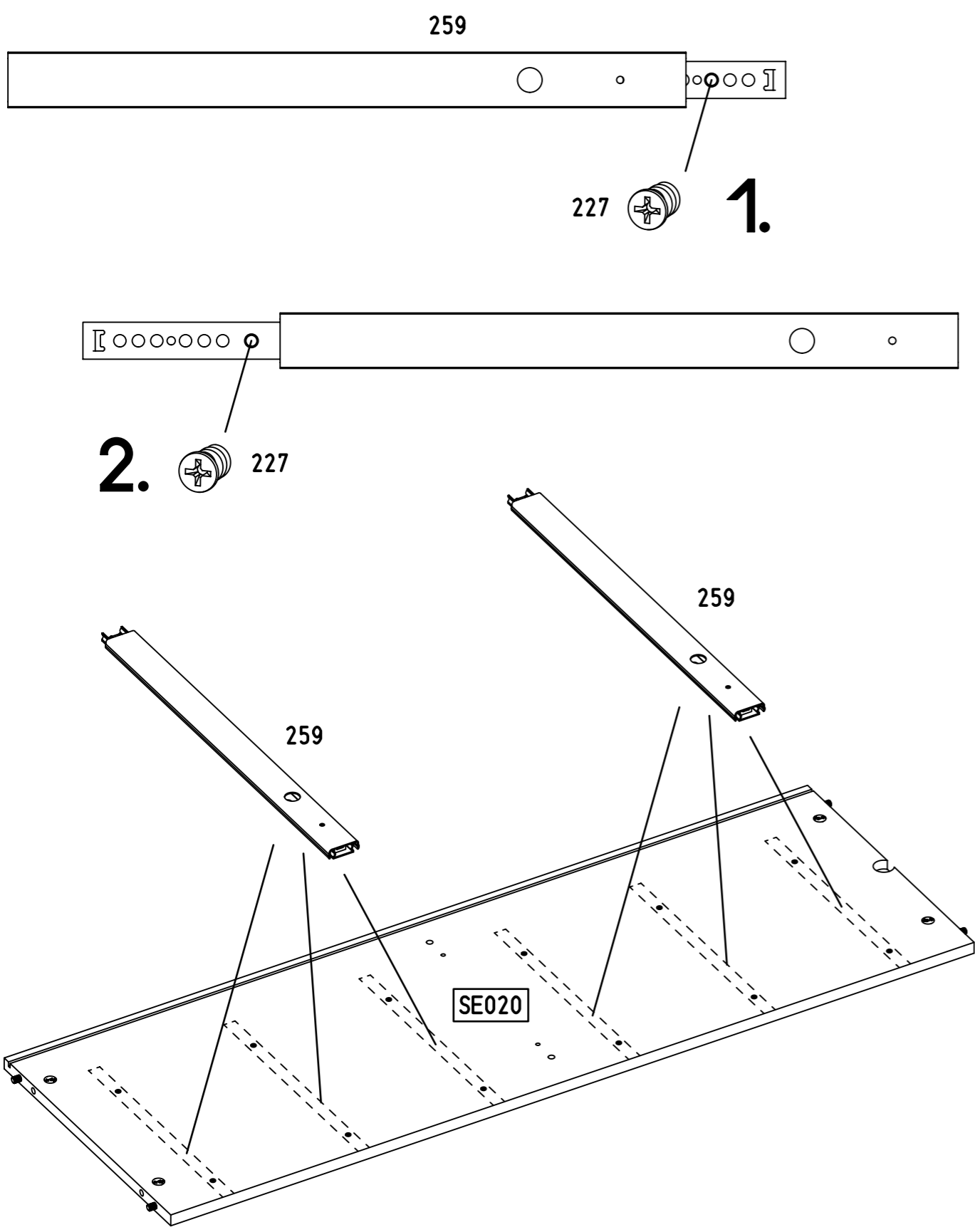
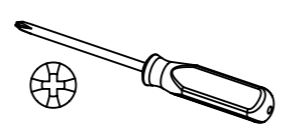
227 2.



8

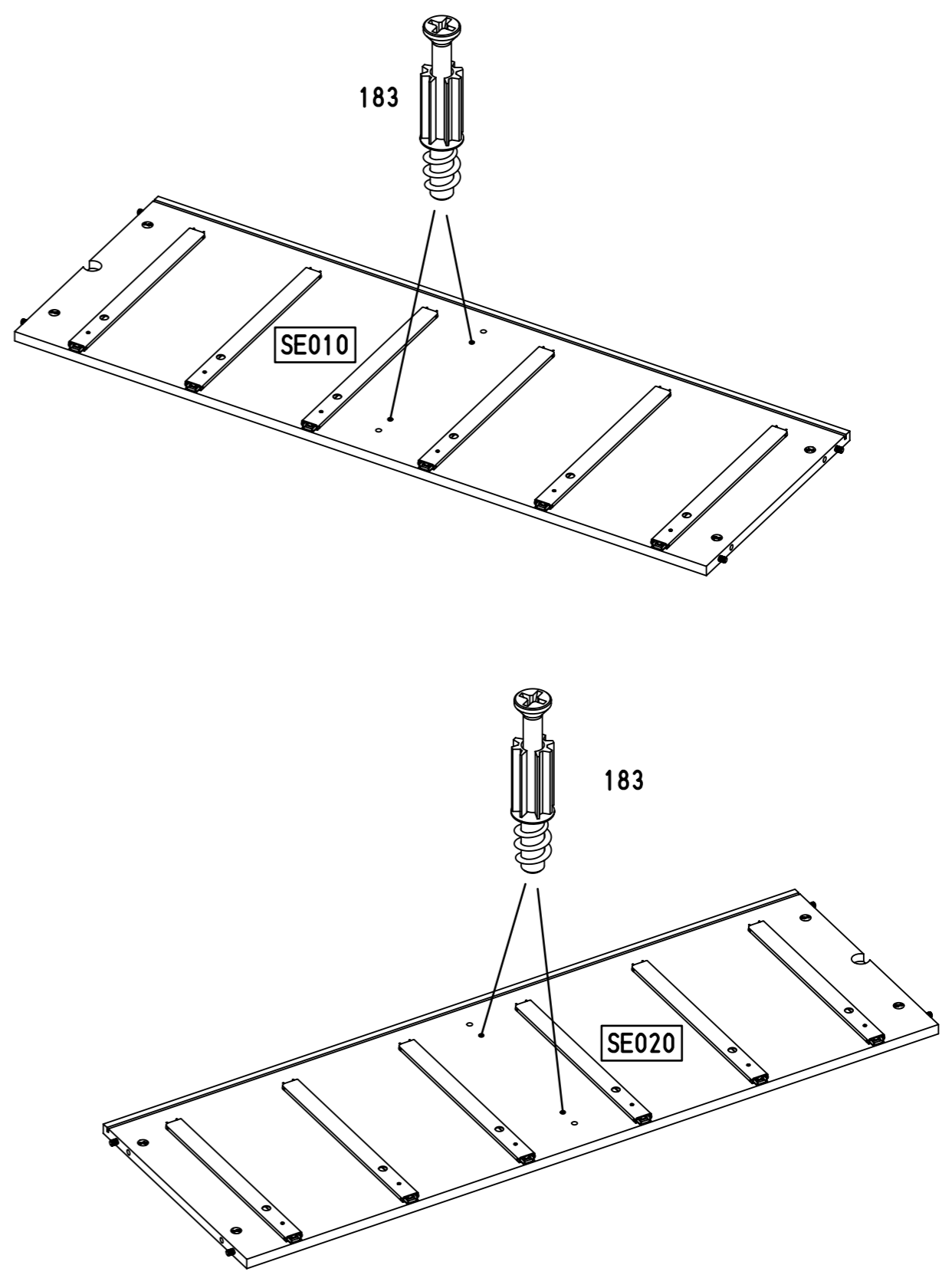
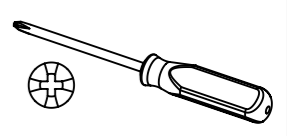
6x **259**  
342x27x9,5

12x **227**  
6x10,5



9

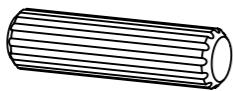
4x **183**  
23/10x7,5



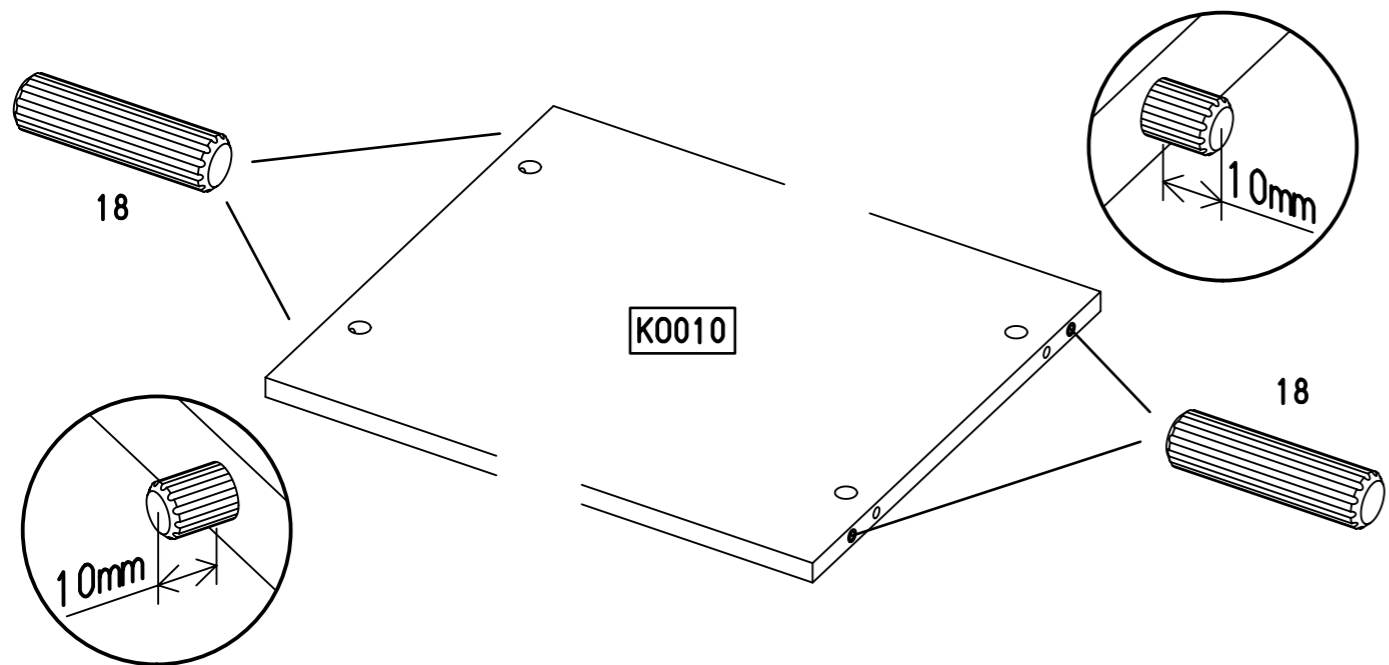
10

4x

18



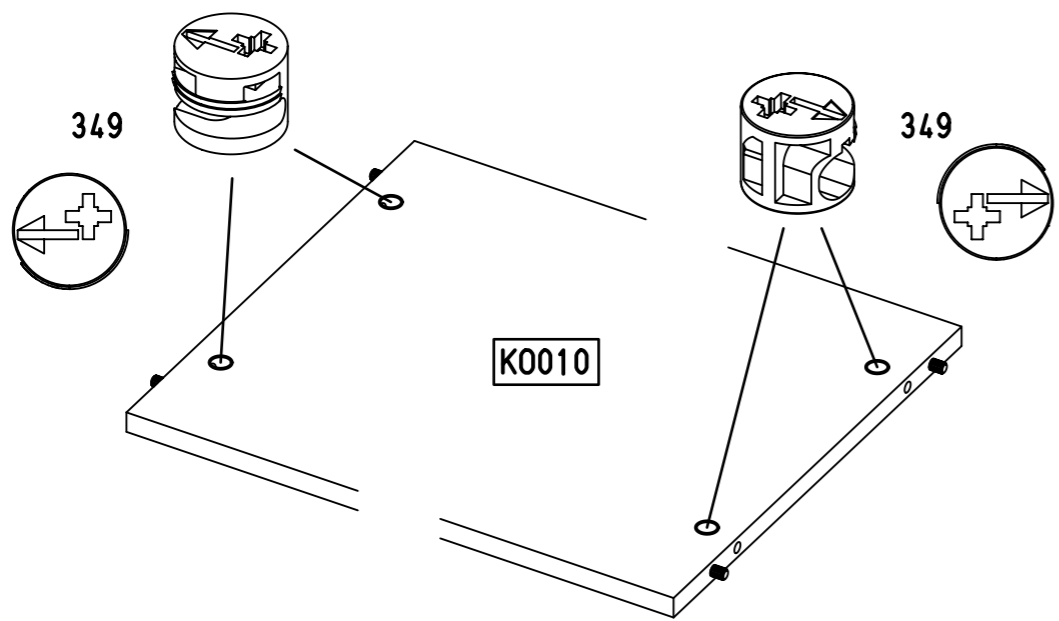
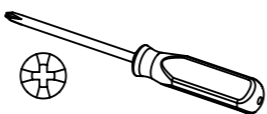
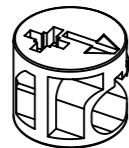
8x30



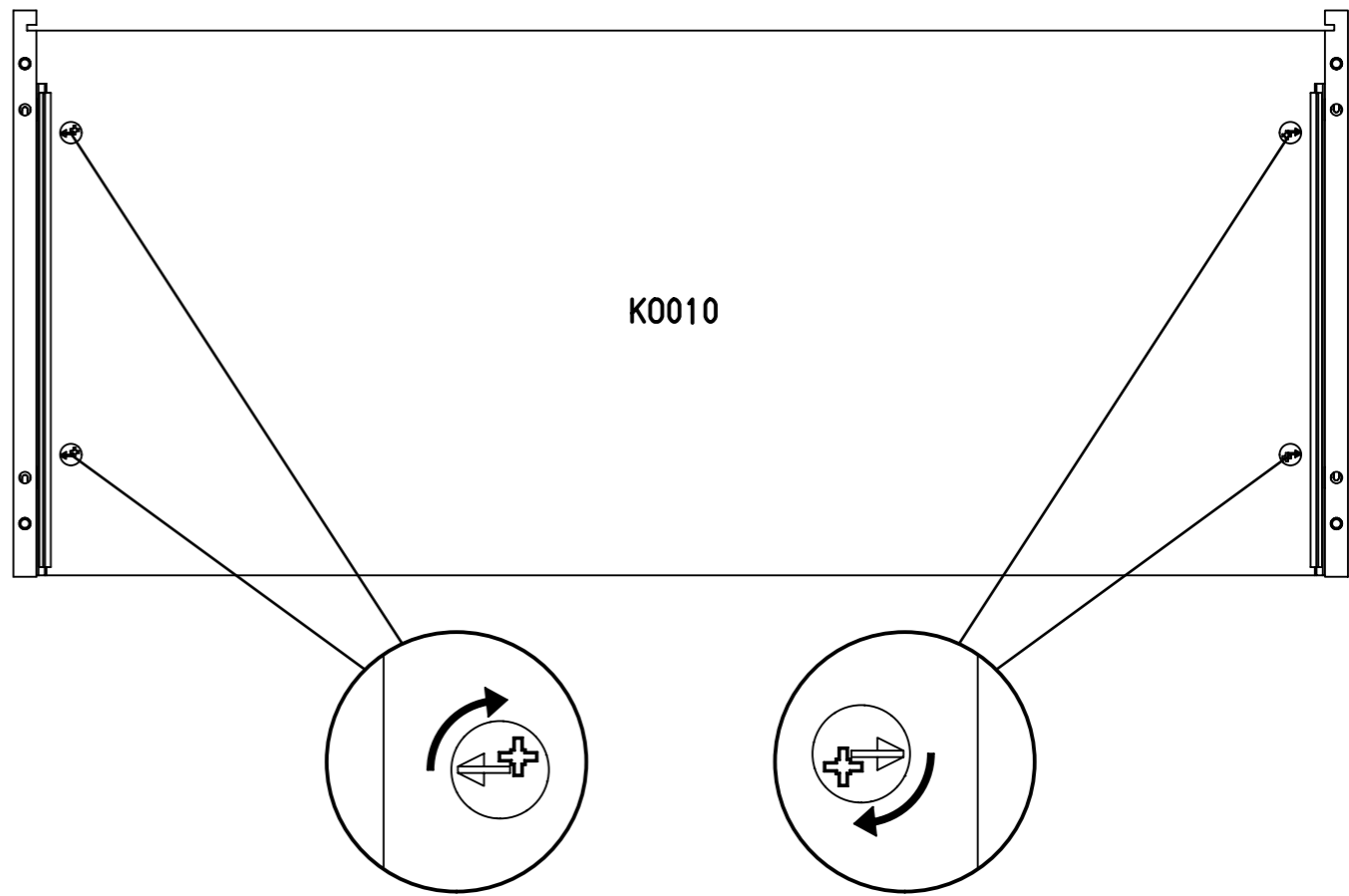
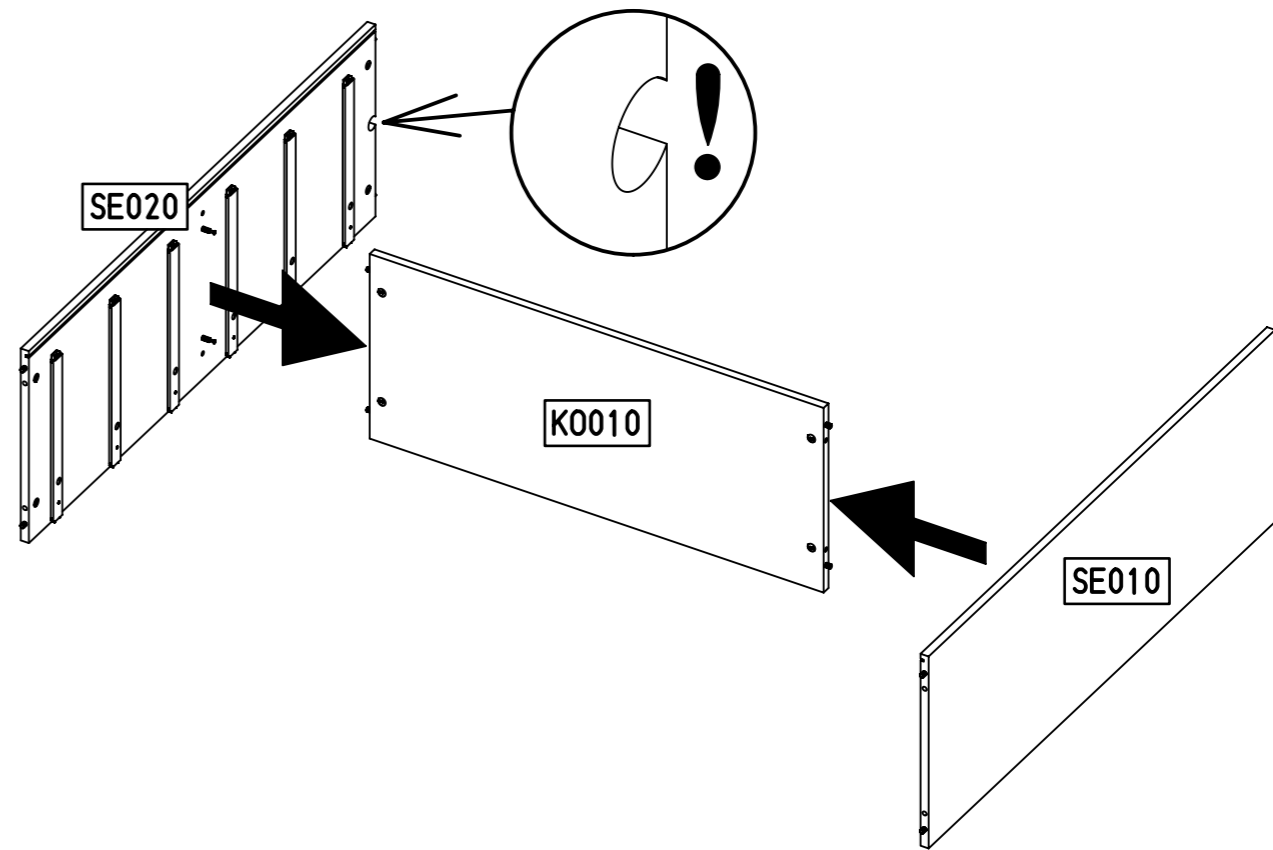
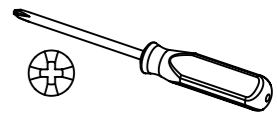
11

4x

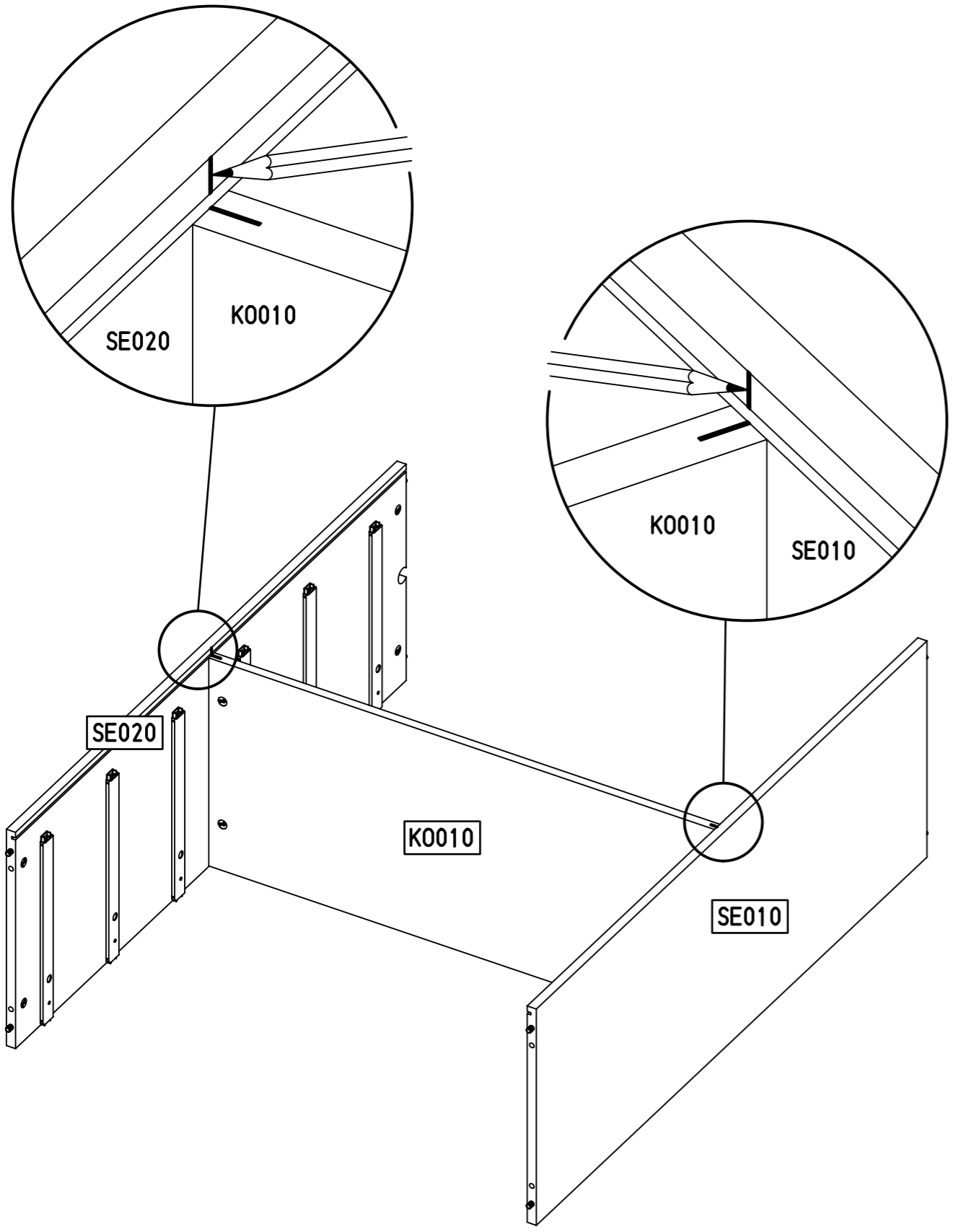
349



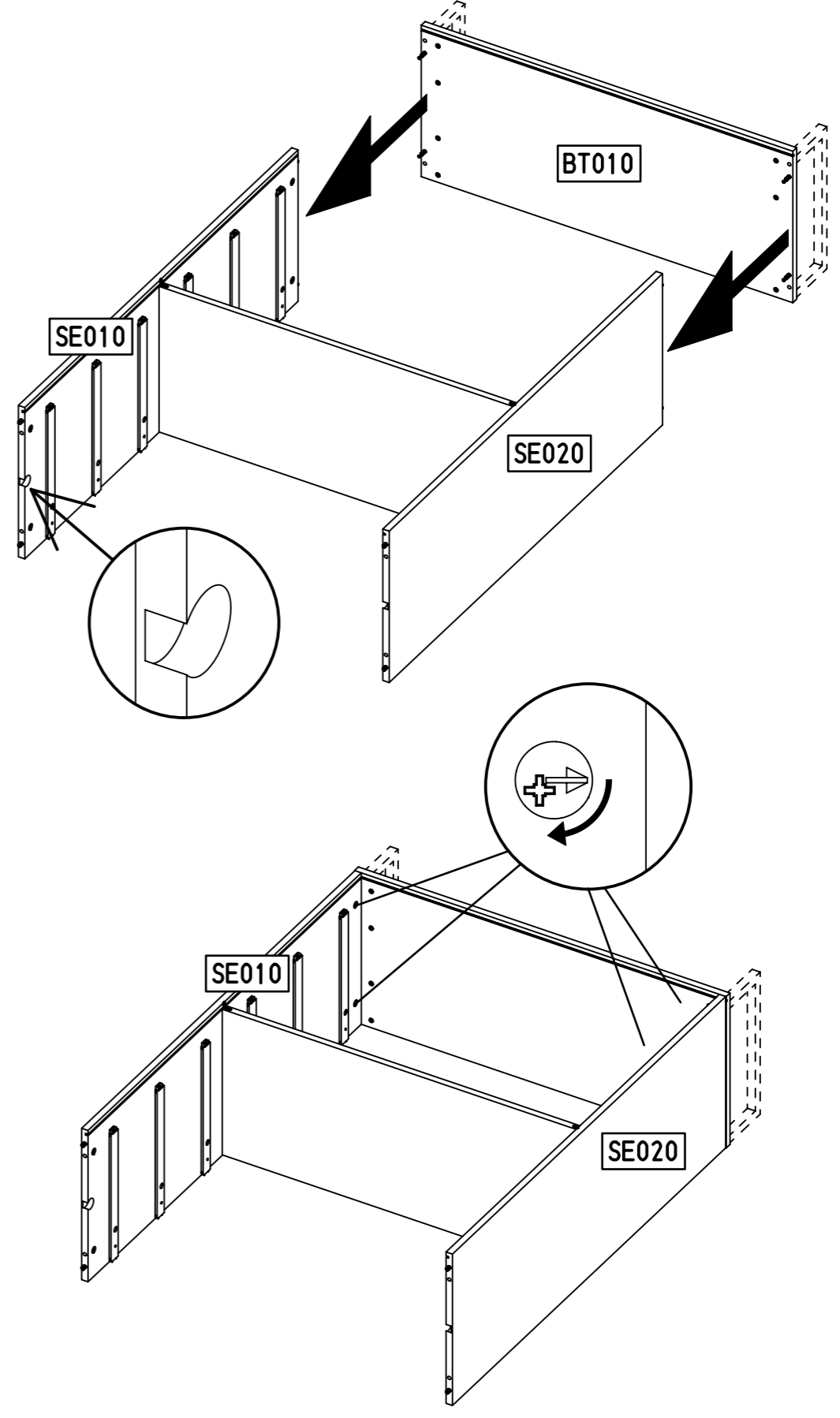
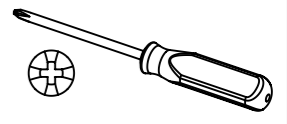
12



13



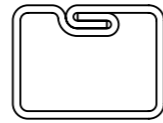
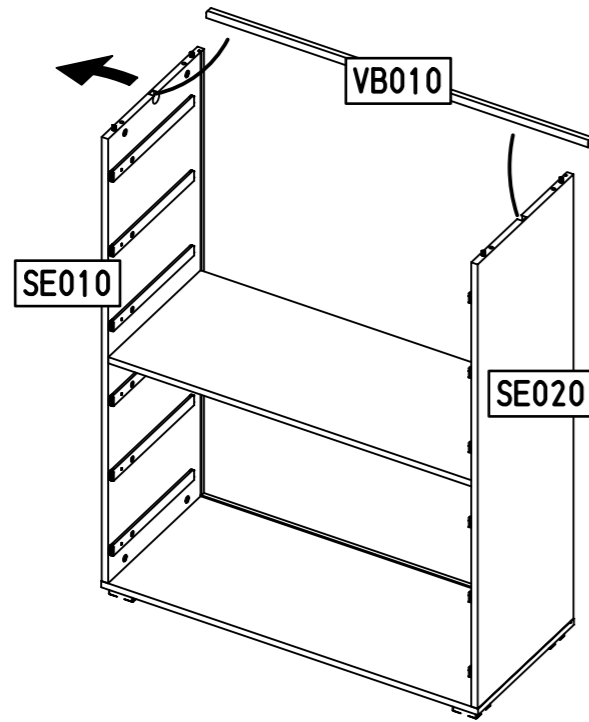
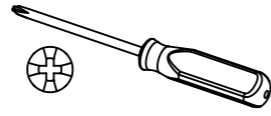
14



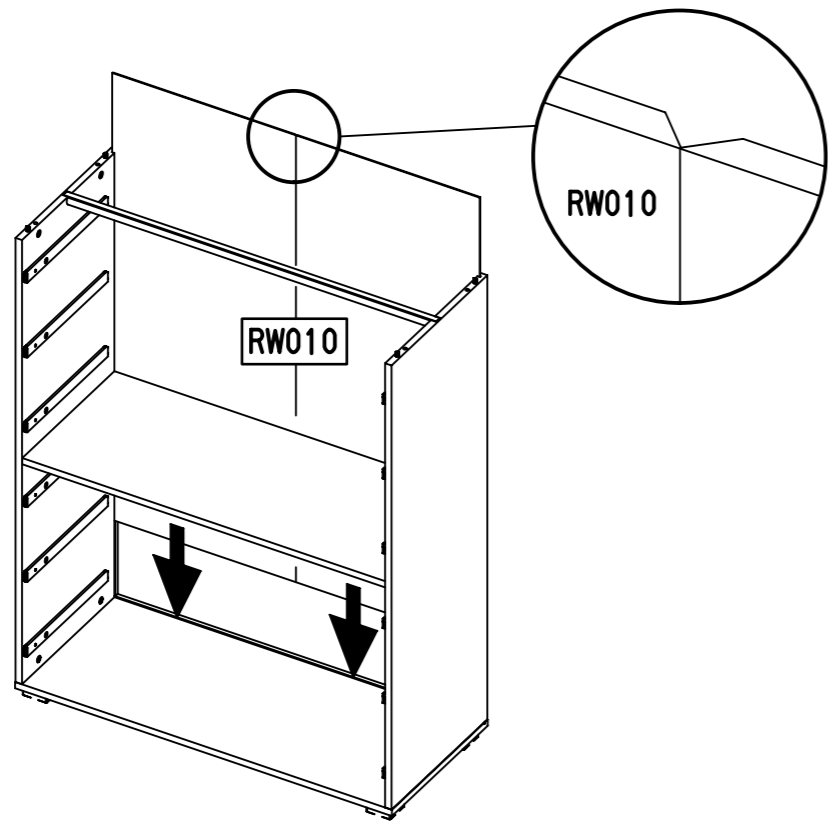
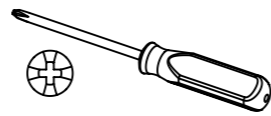


17.

15



16

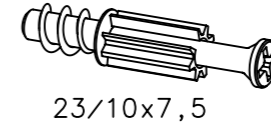


M2532

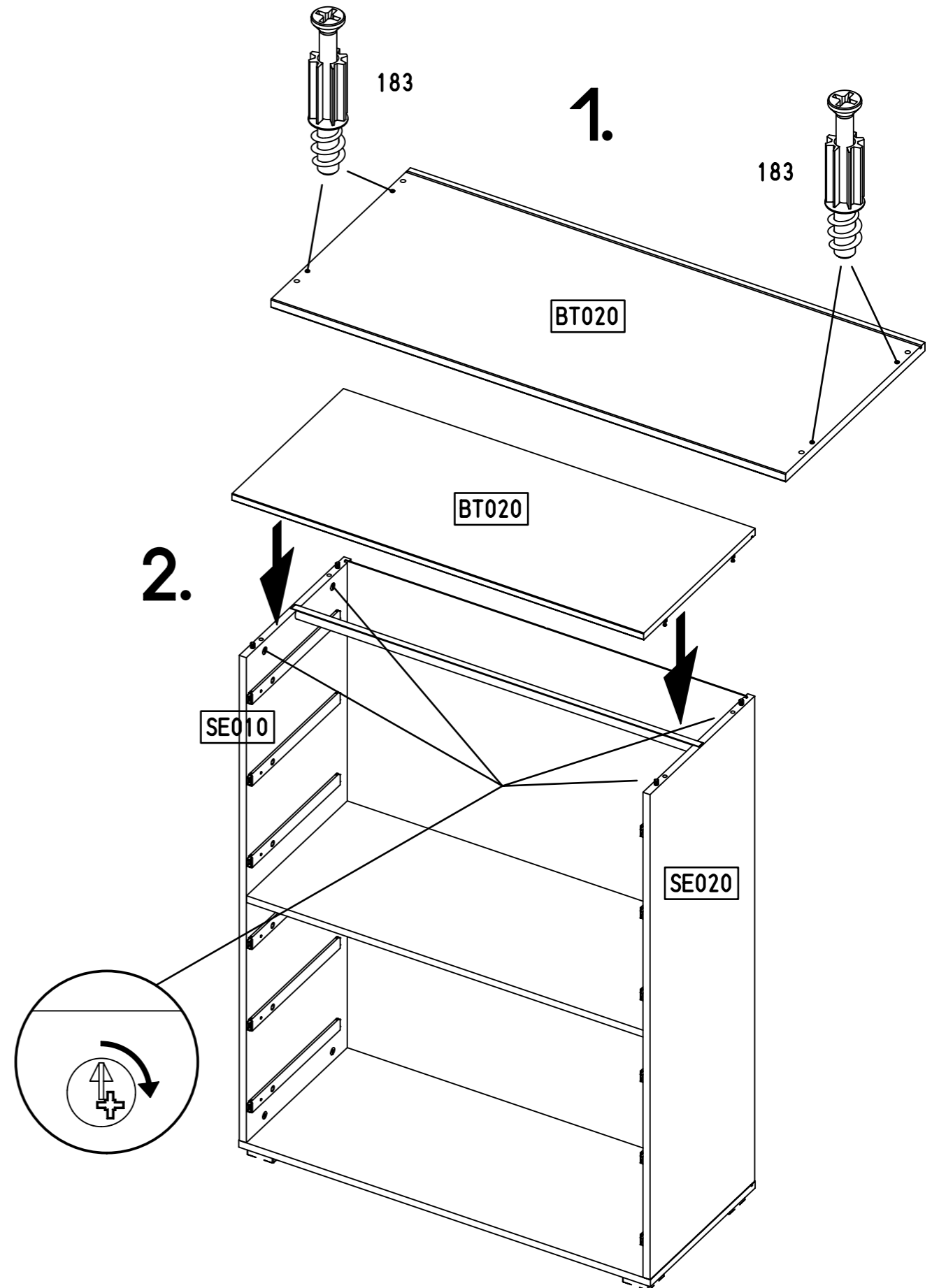
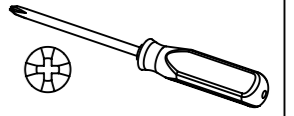
18.

17

4x 183

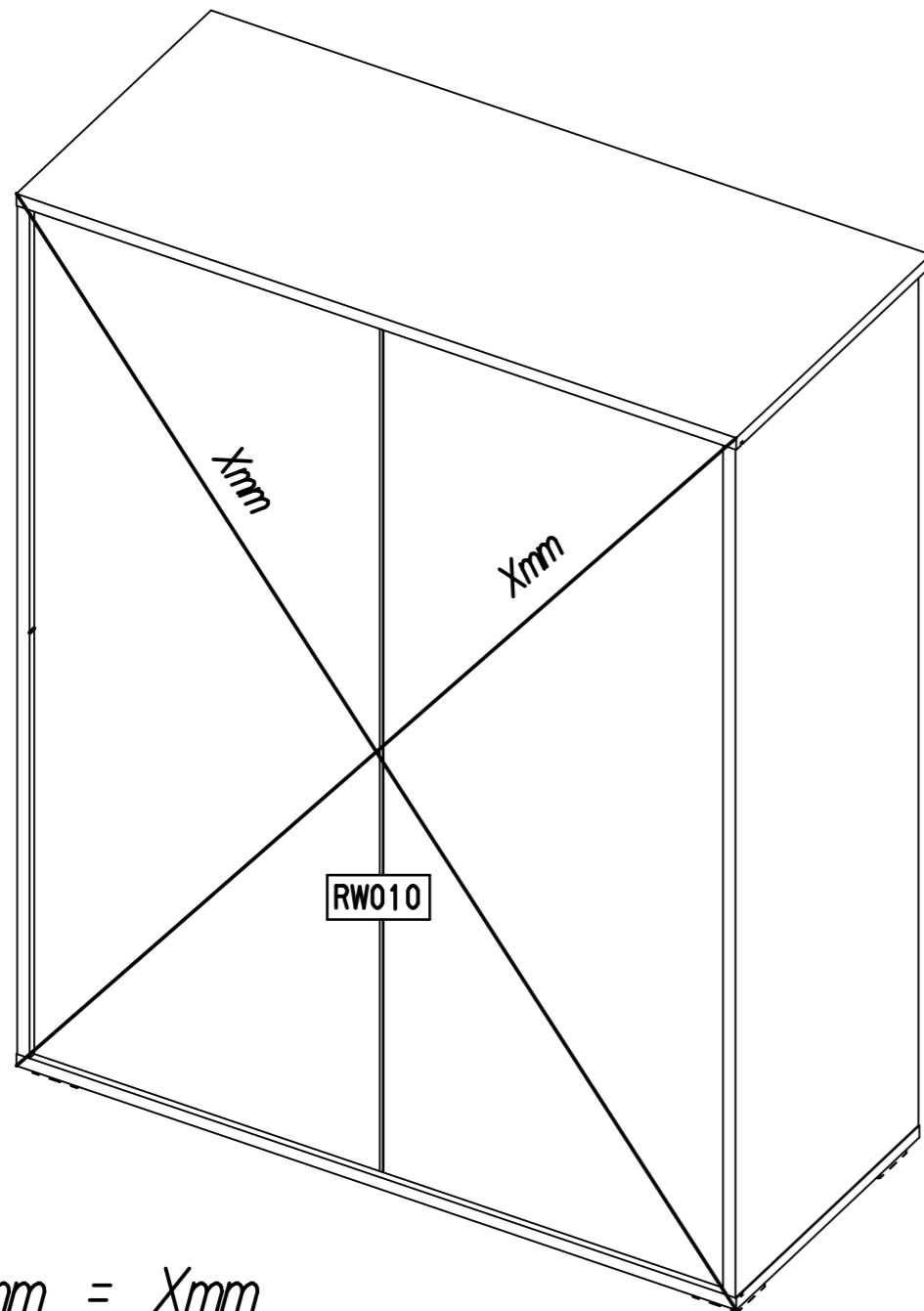
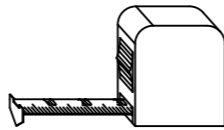


23/10x7,5

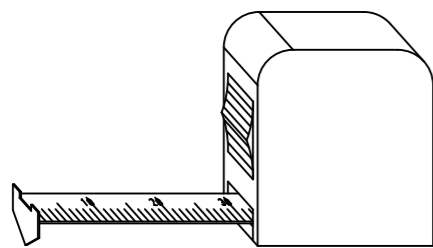


M2532

18

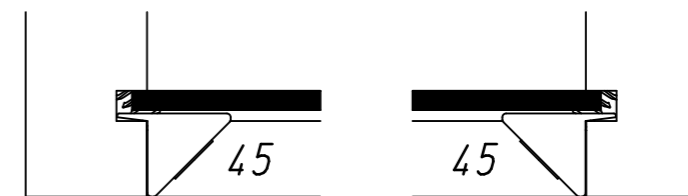
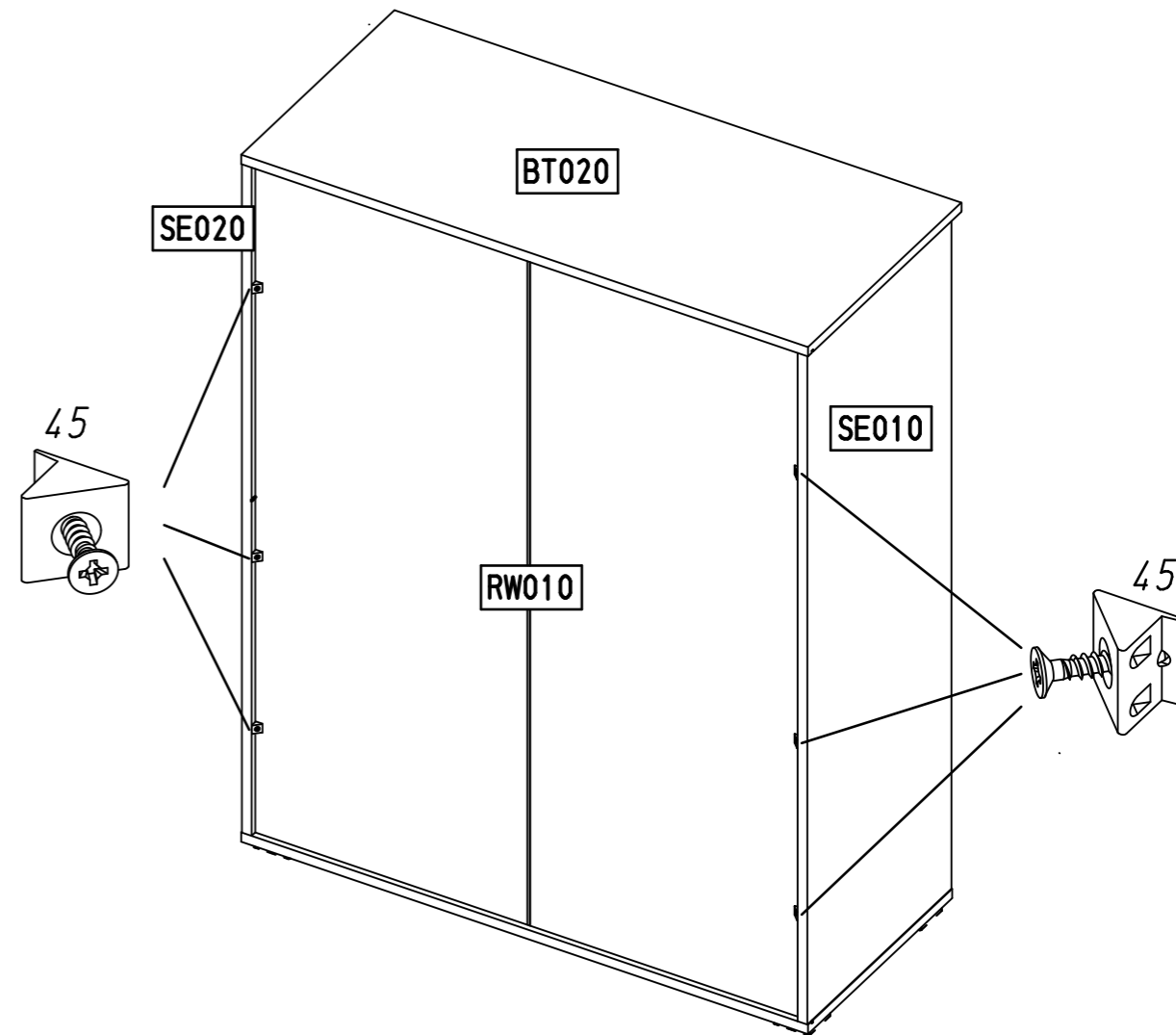
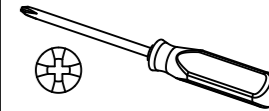
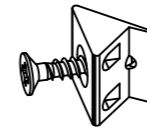


$Xmm = Xmm$

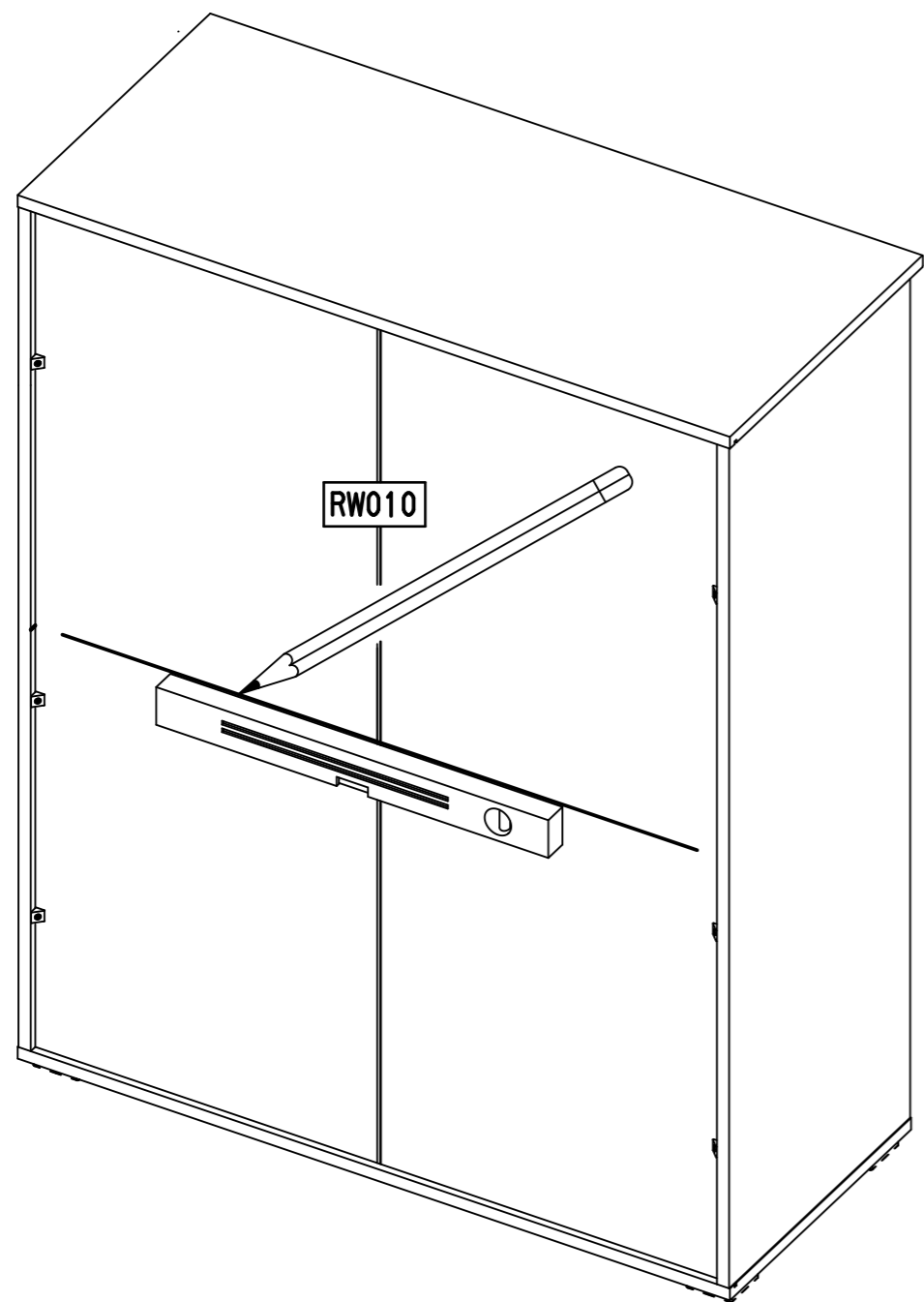
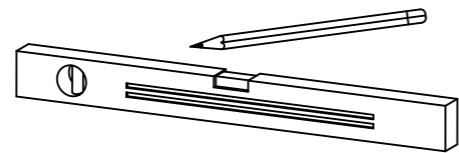


19

6x 45

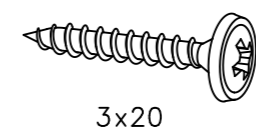


20

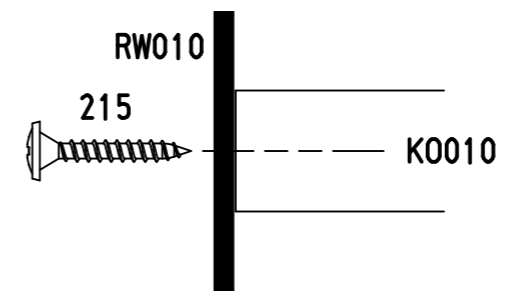
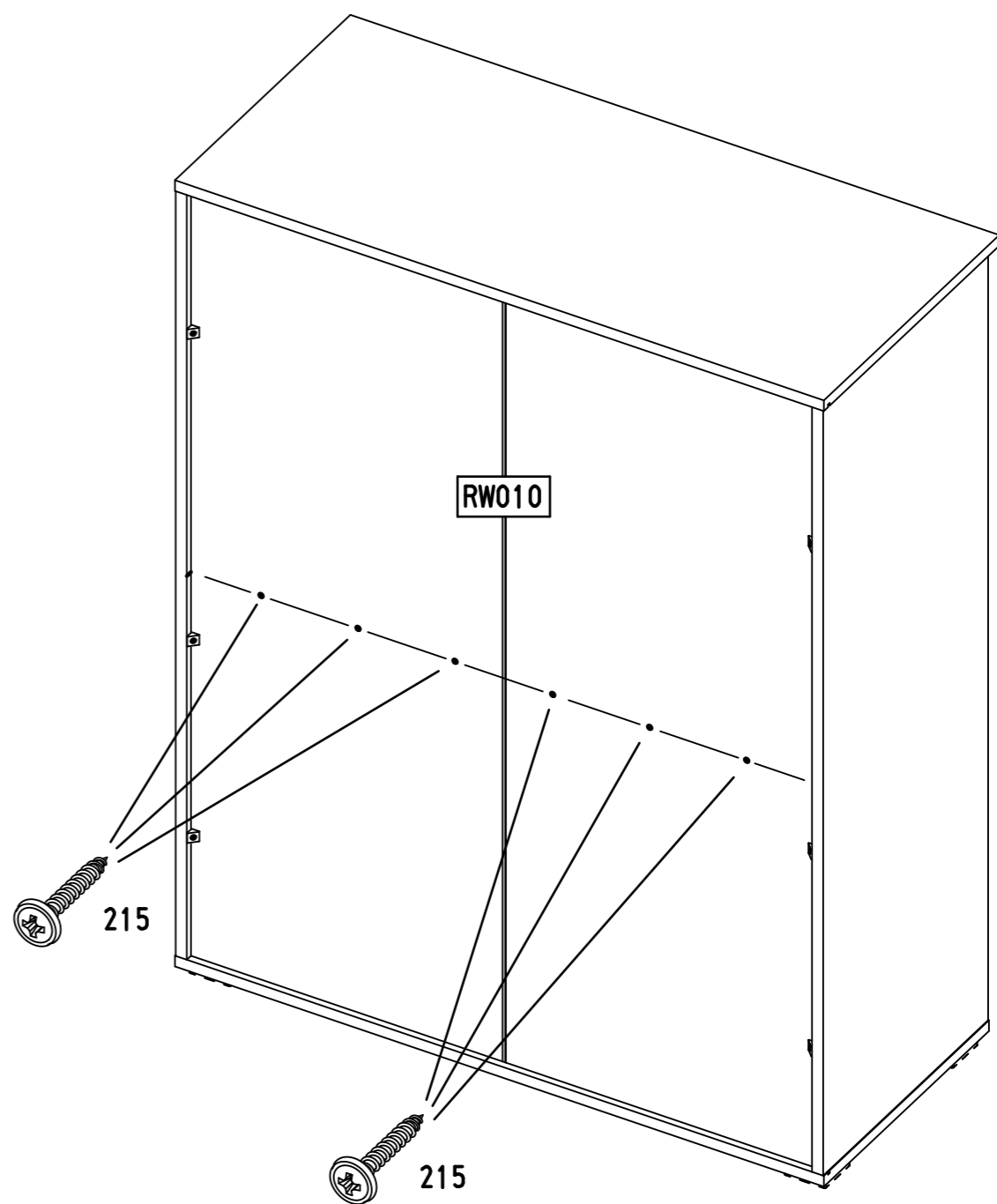
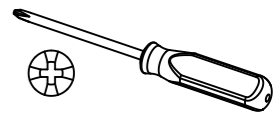


21

6x 215

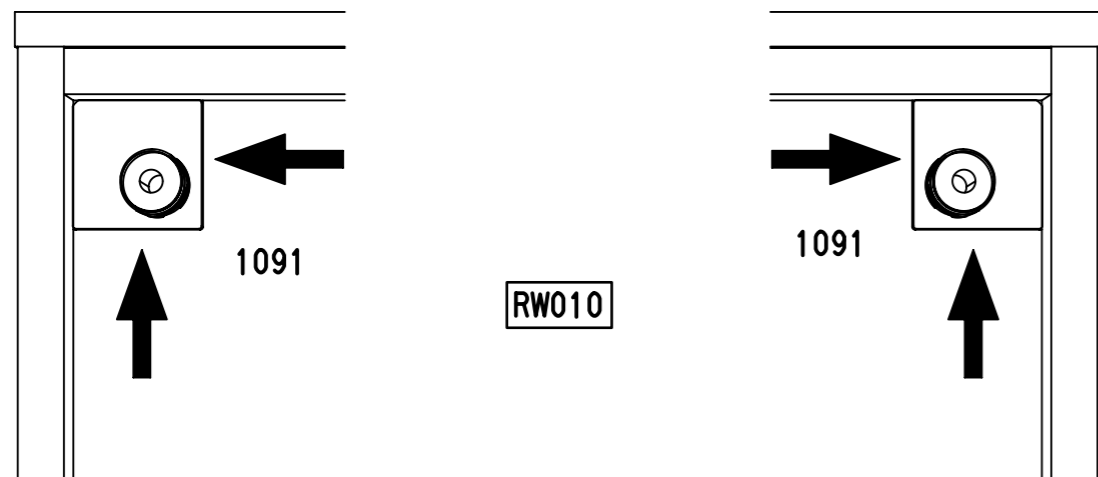
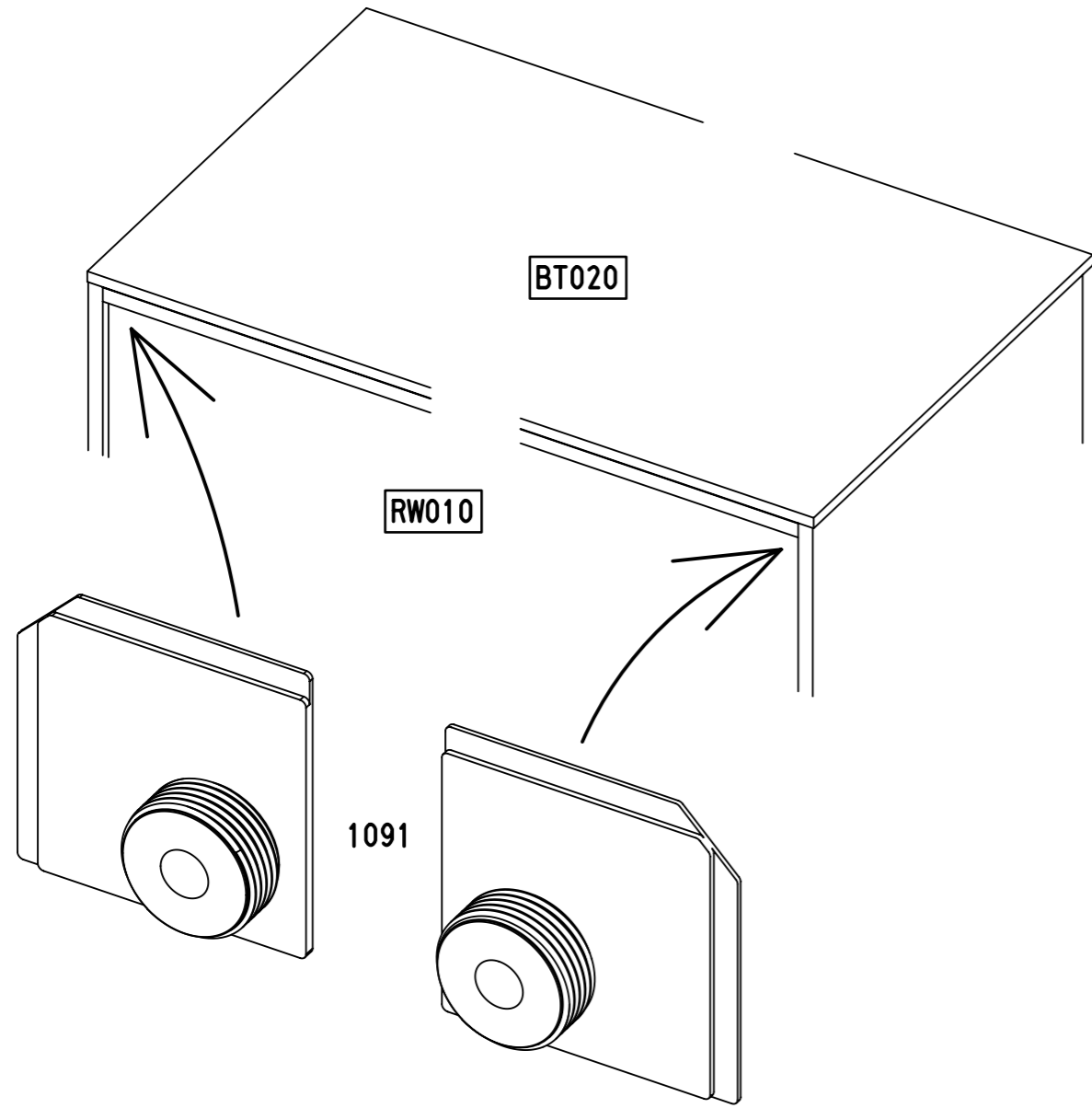
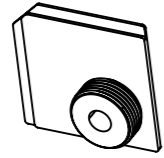


3x20



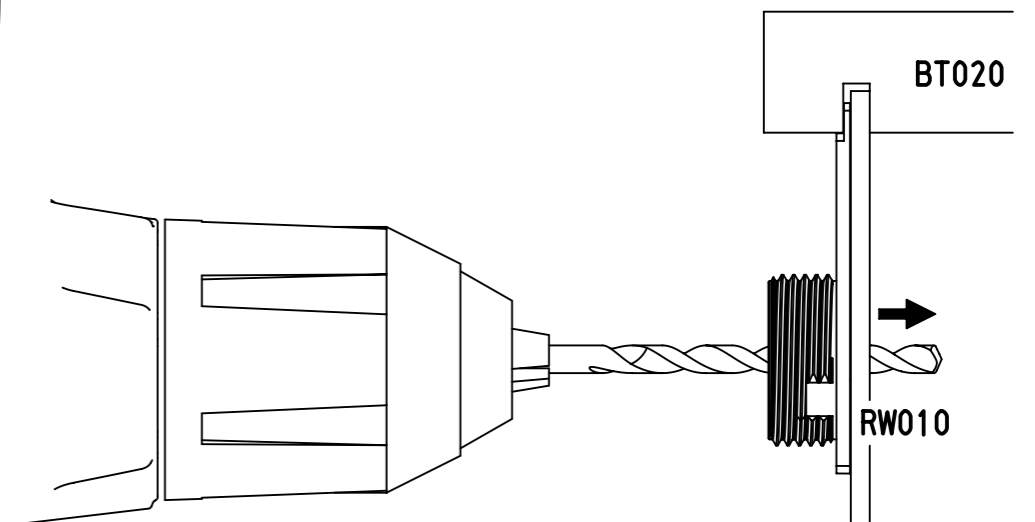
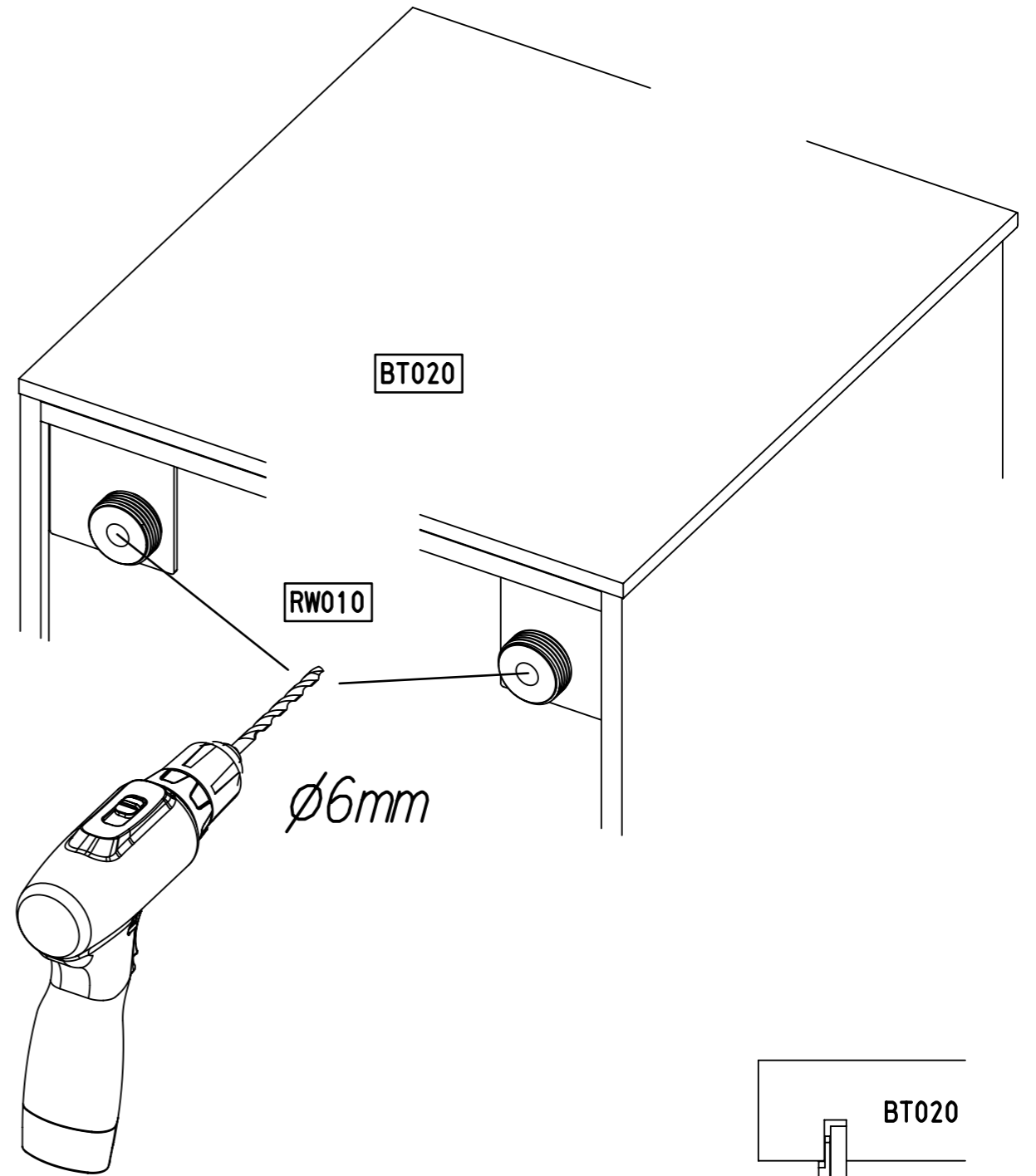
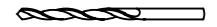
22

2x 1091



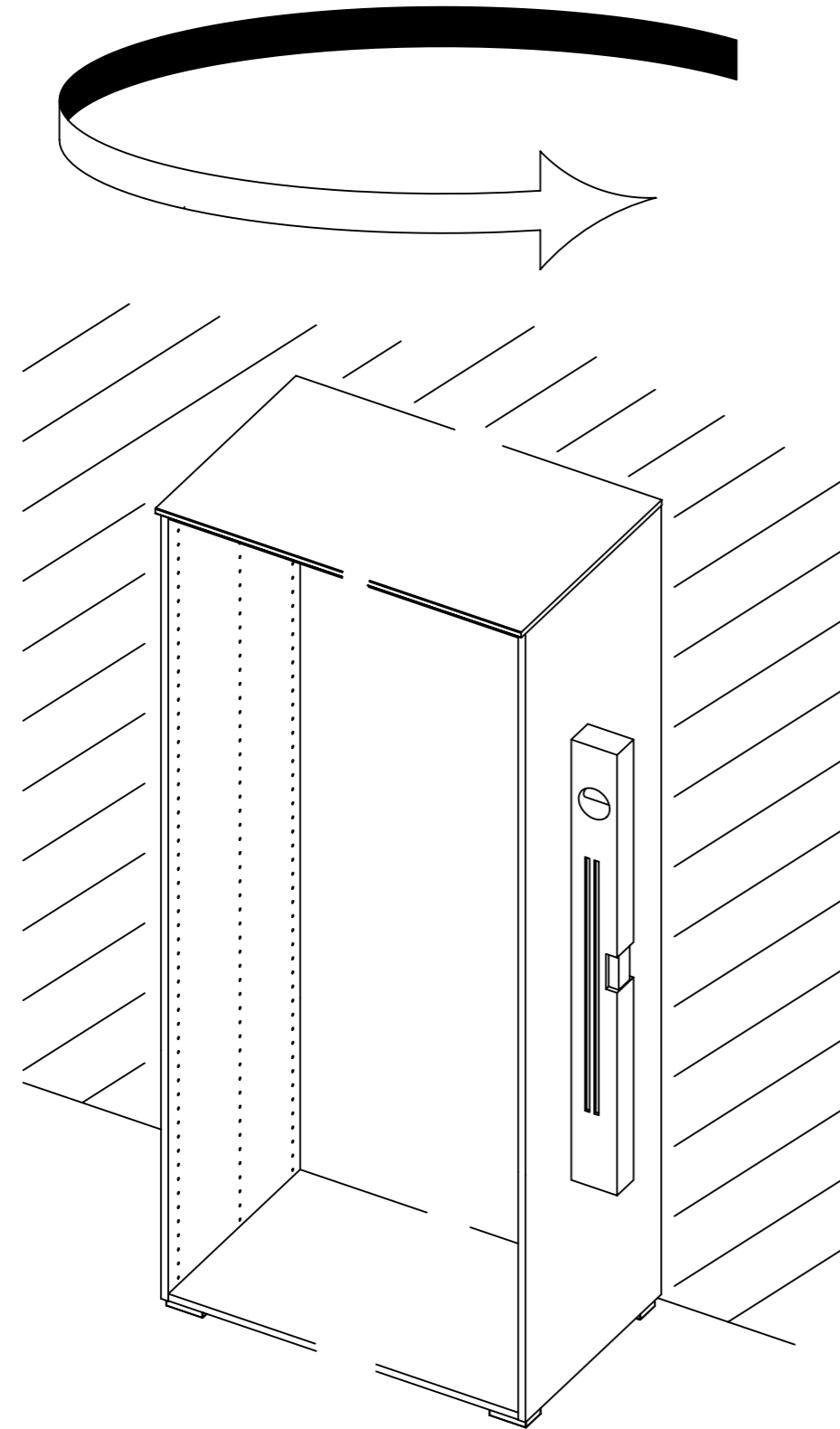
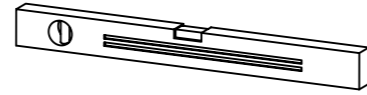
23

ø6mm



25.

24

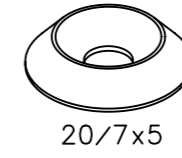


M2532

26.

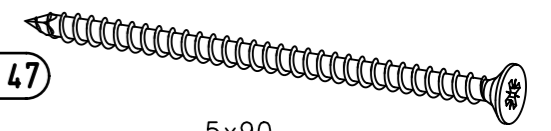
25

2x 1093

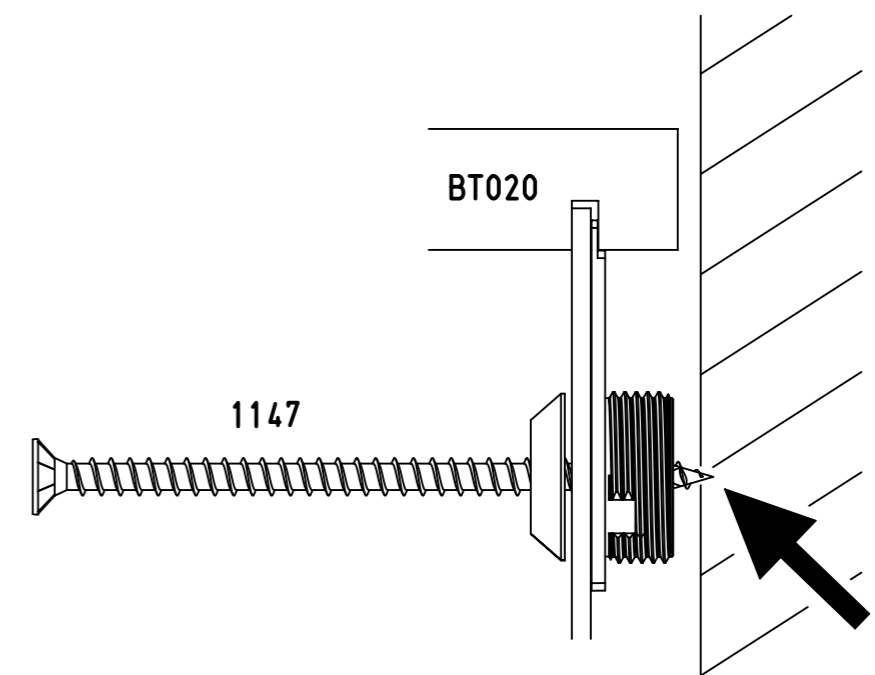
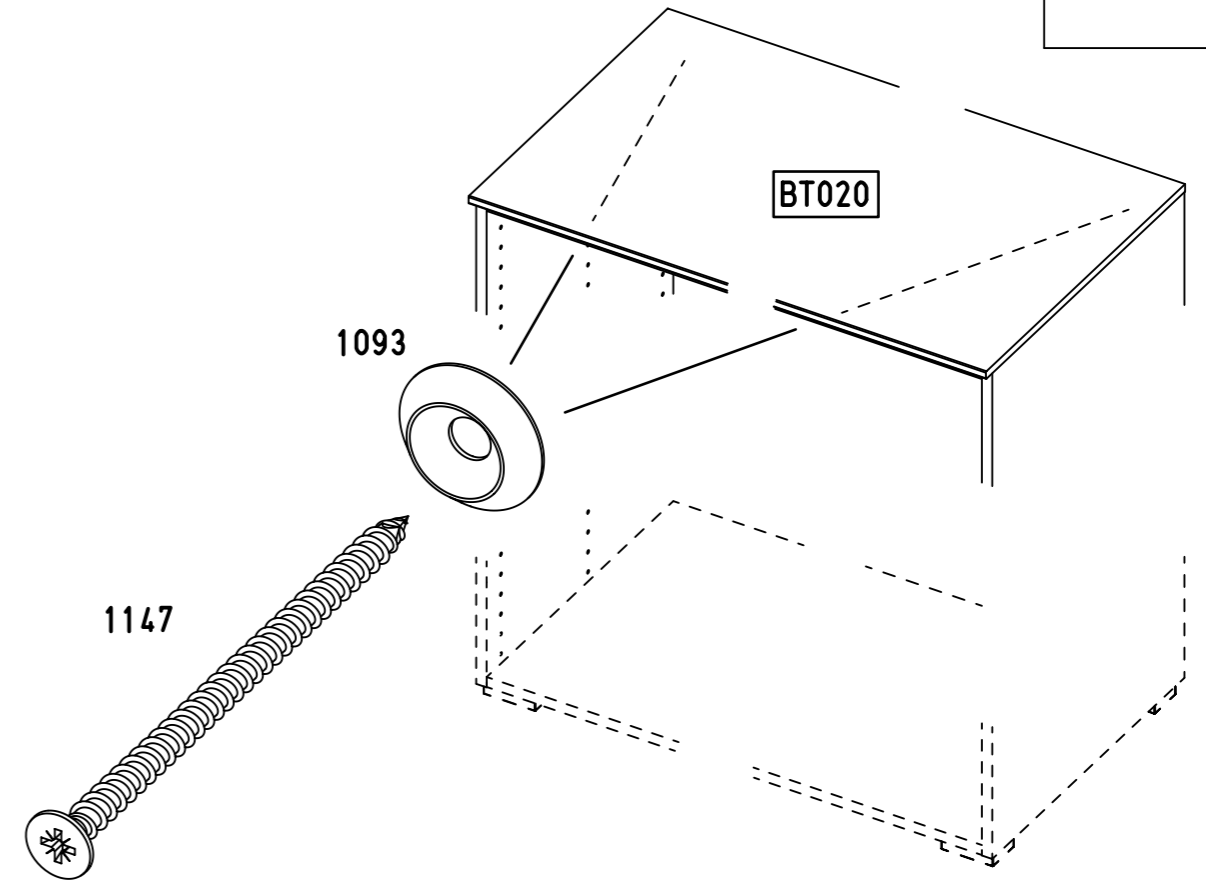
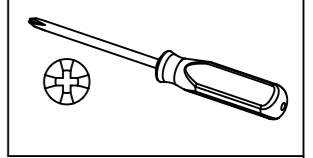


20/7x5

2x 1147

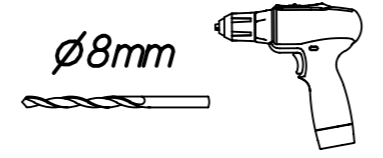


5x90

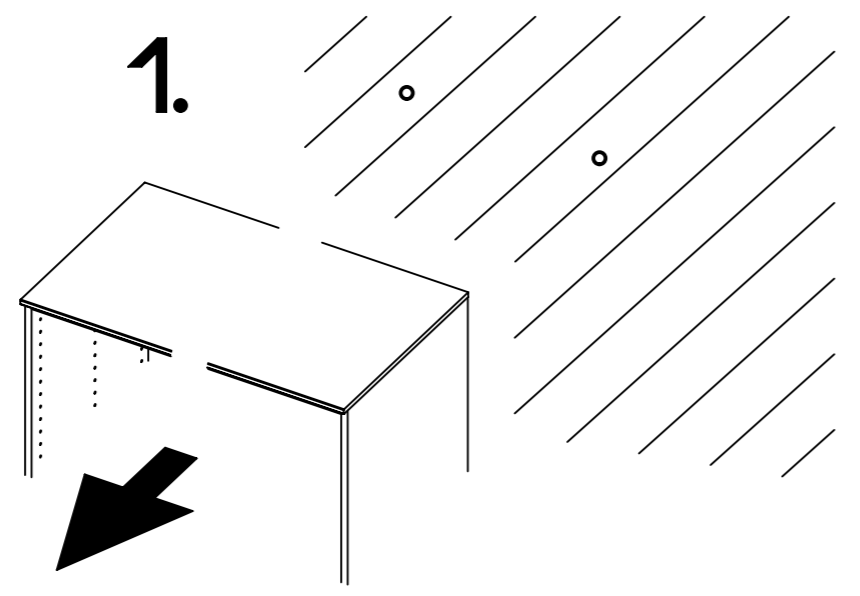


M2532

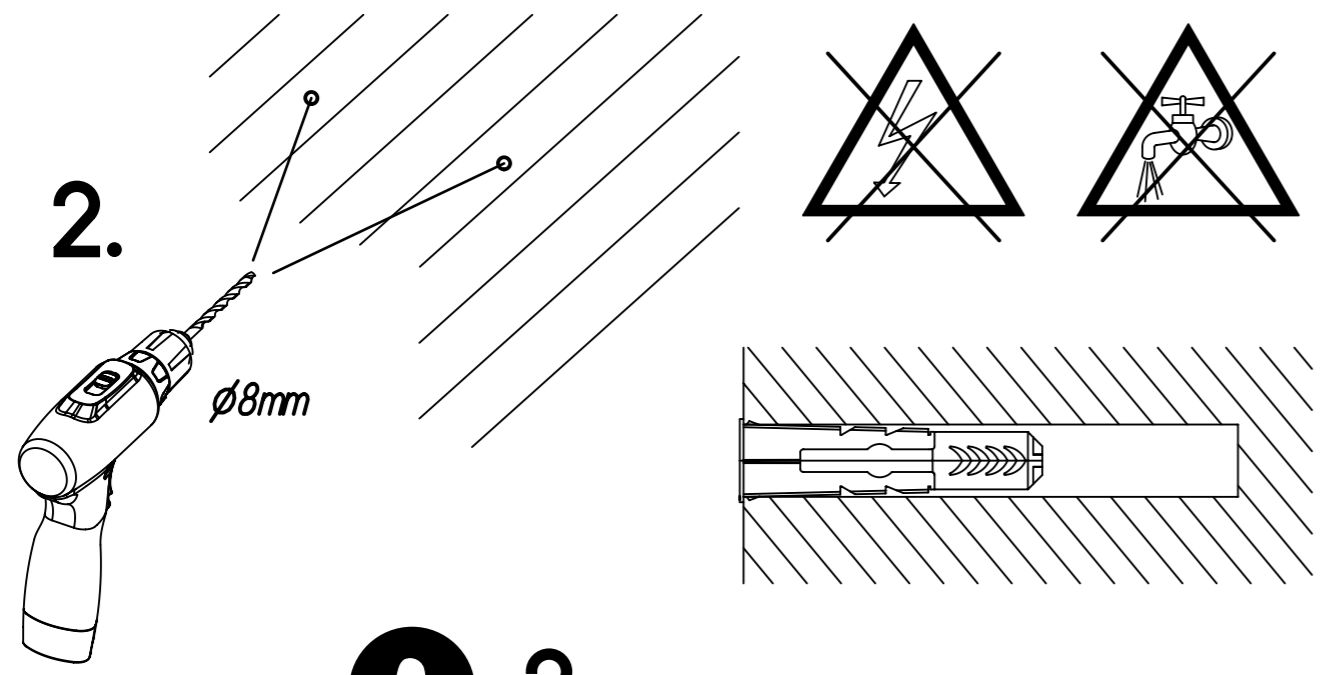
26



1.

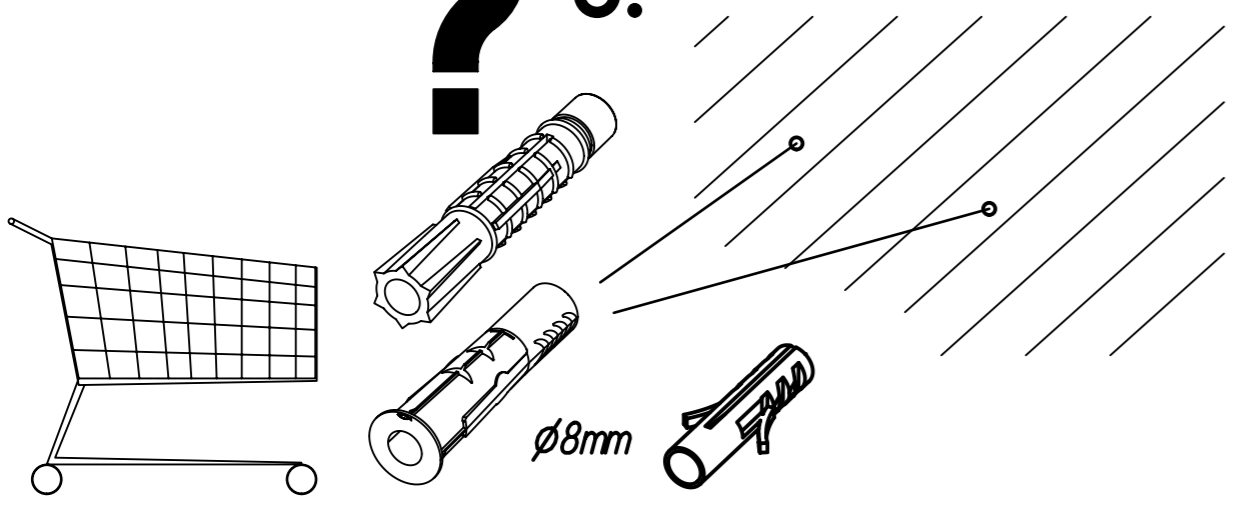


2.

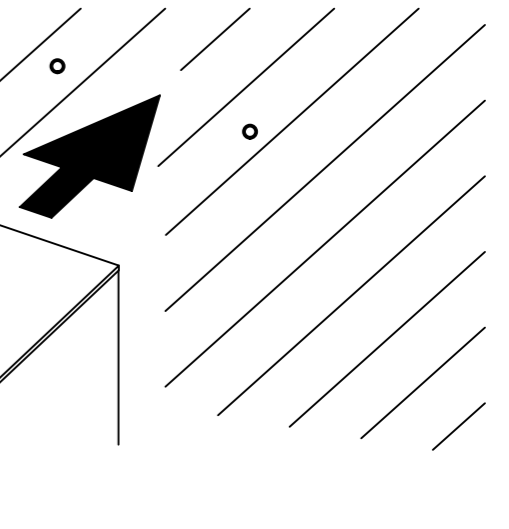
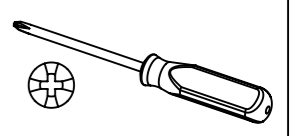


?

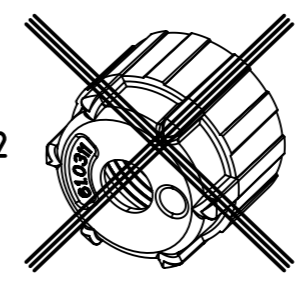
3.



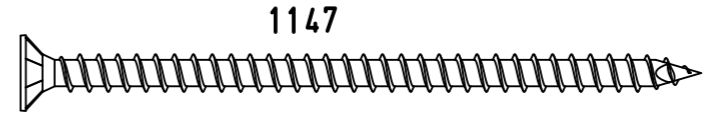
27



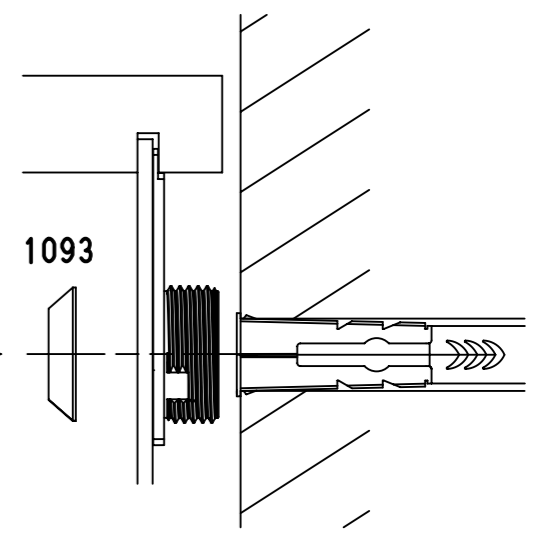
1092



1147



1093



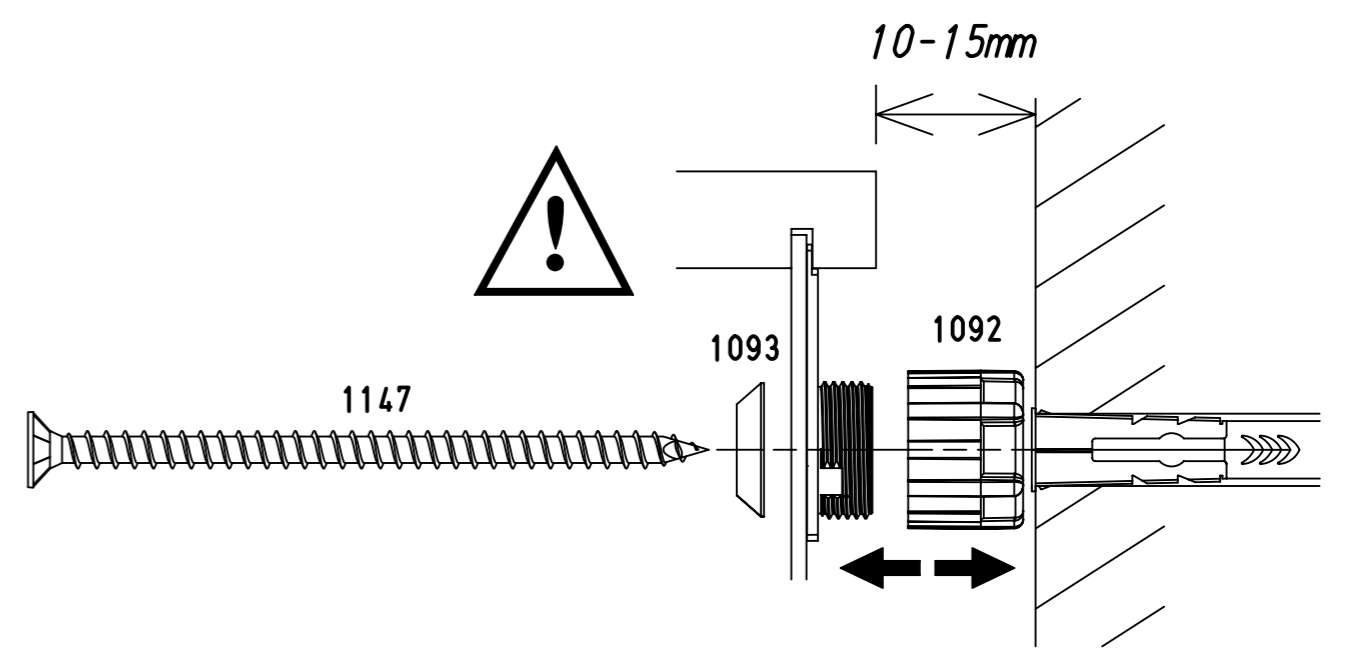
10-15mm



1147

1093

1092



28

12x 568

