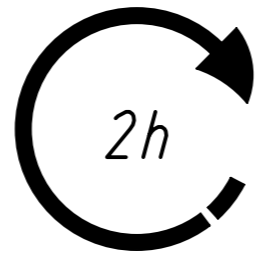
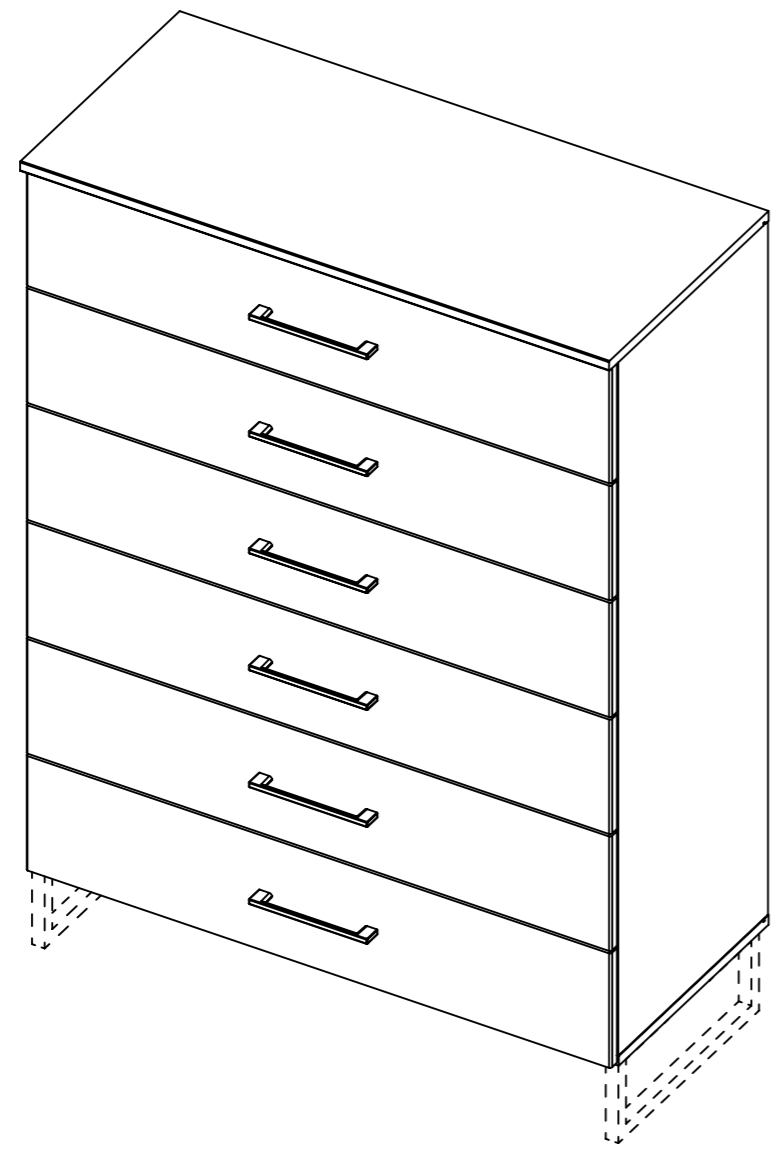
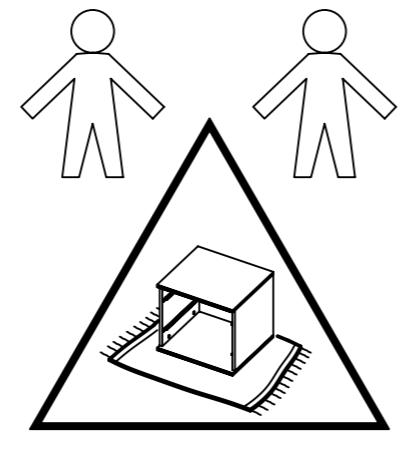
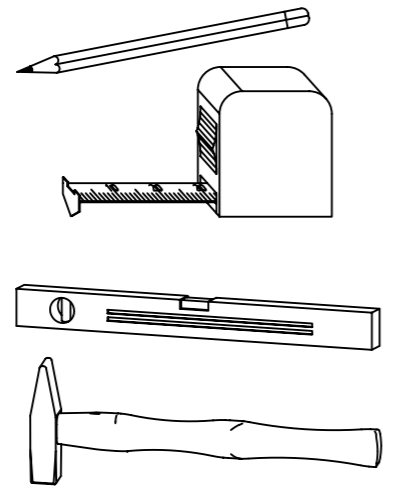
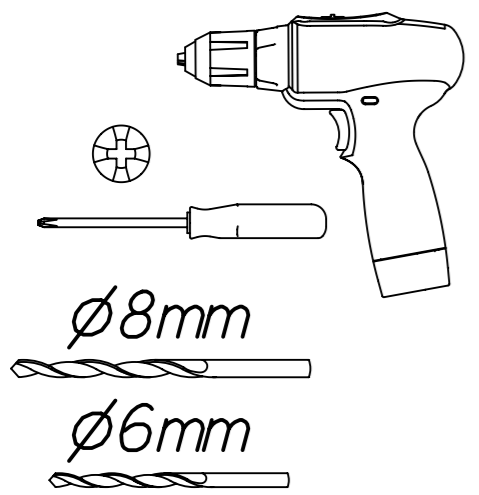


1.

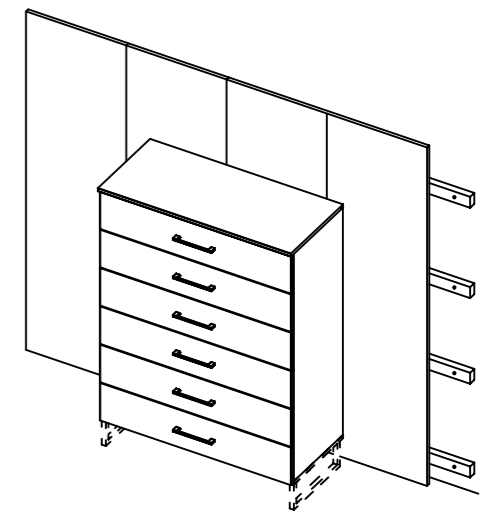
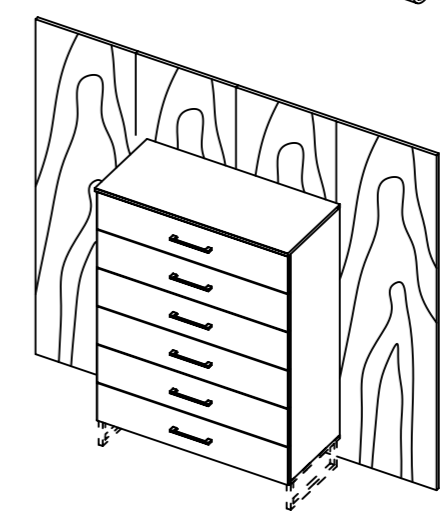
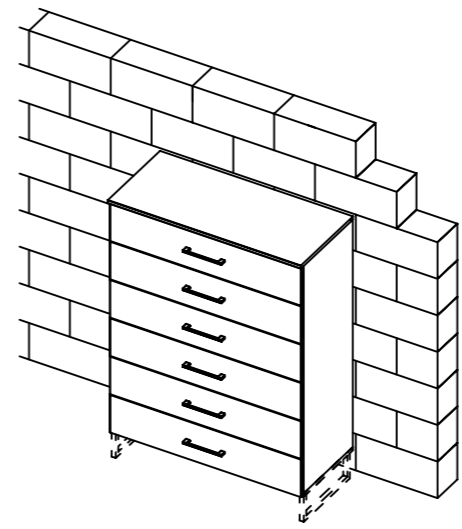
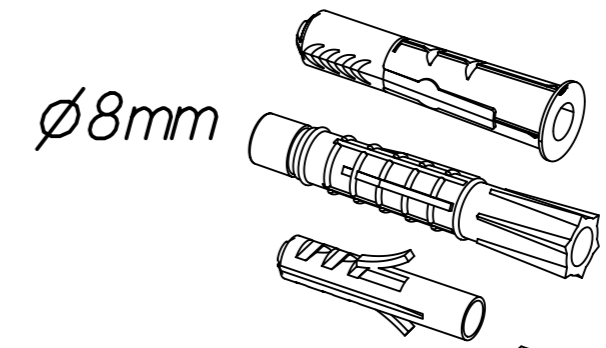
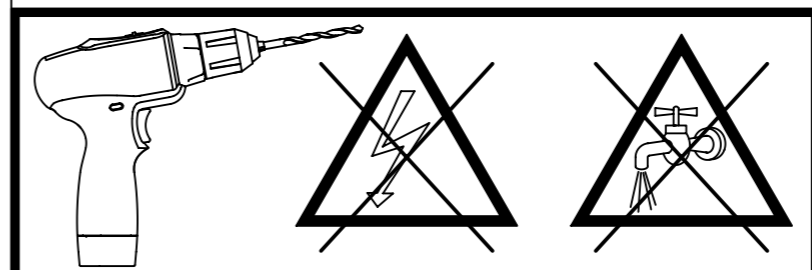
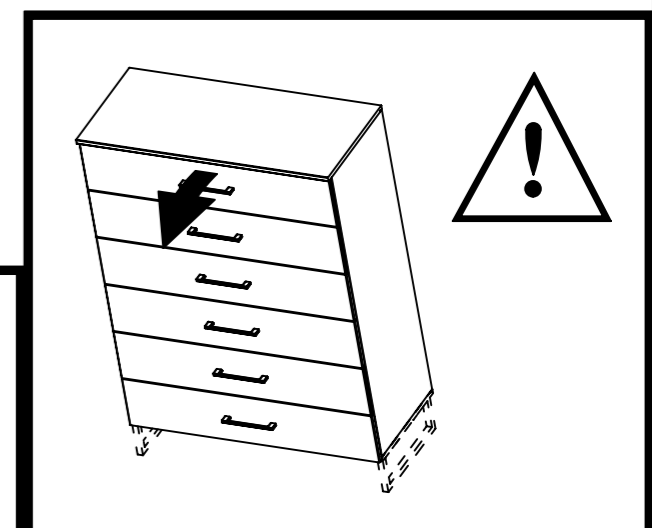
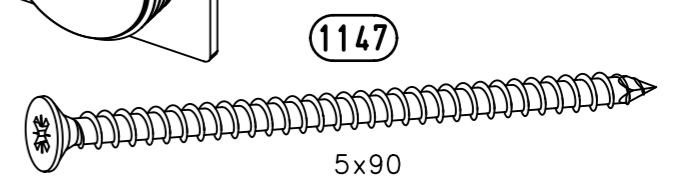
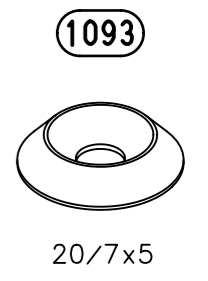
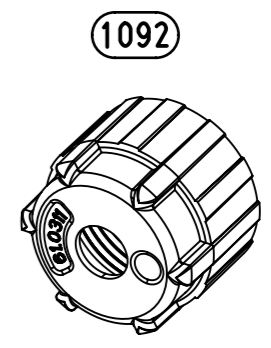
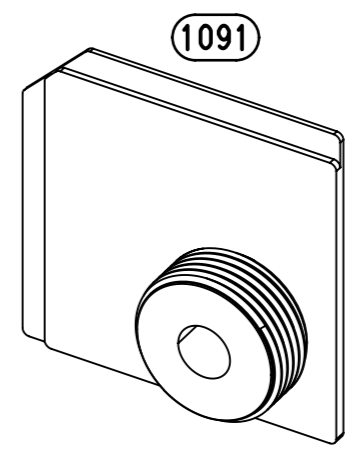
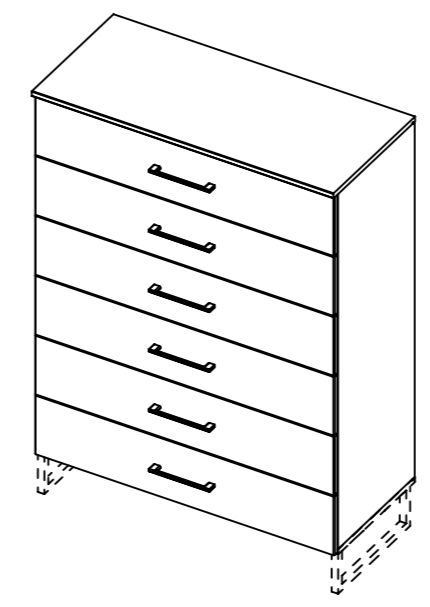
M2532_02

rauch

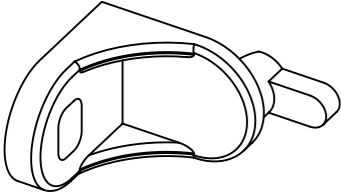
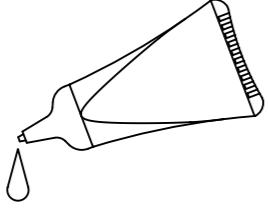
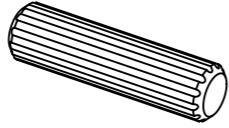
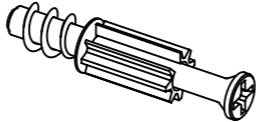
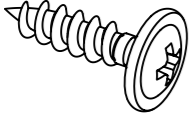
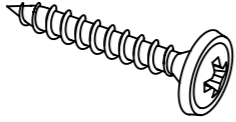
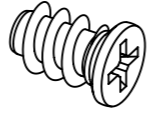
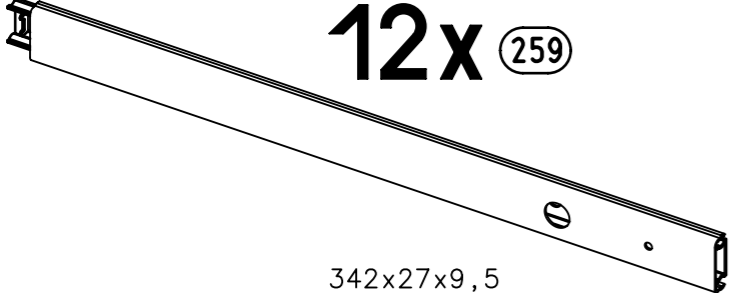

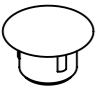

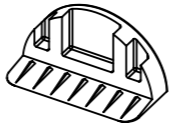
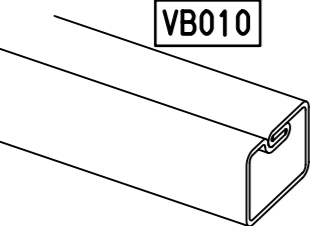
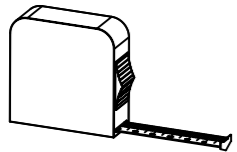
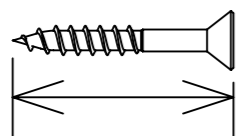
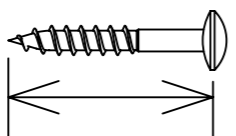
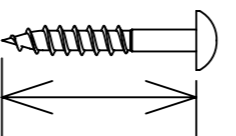


2.

2x

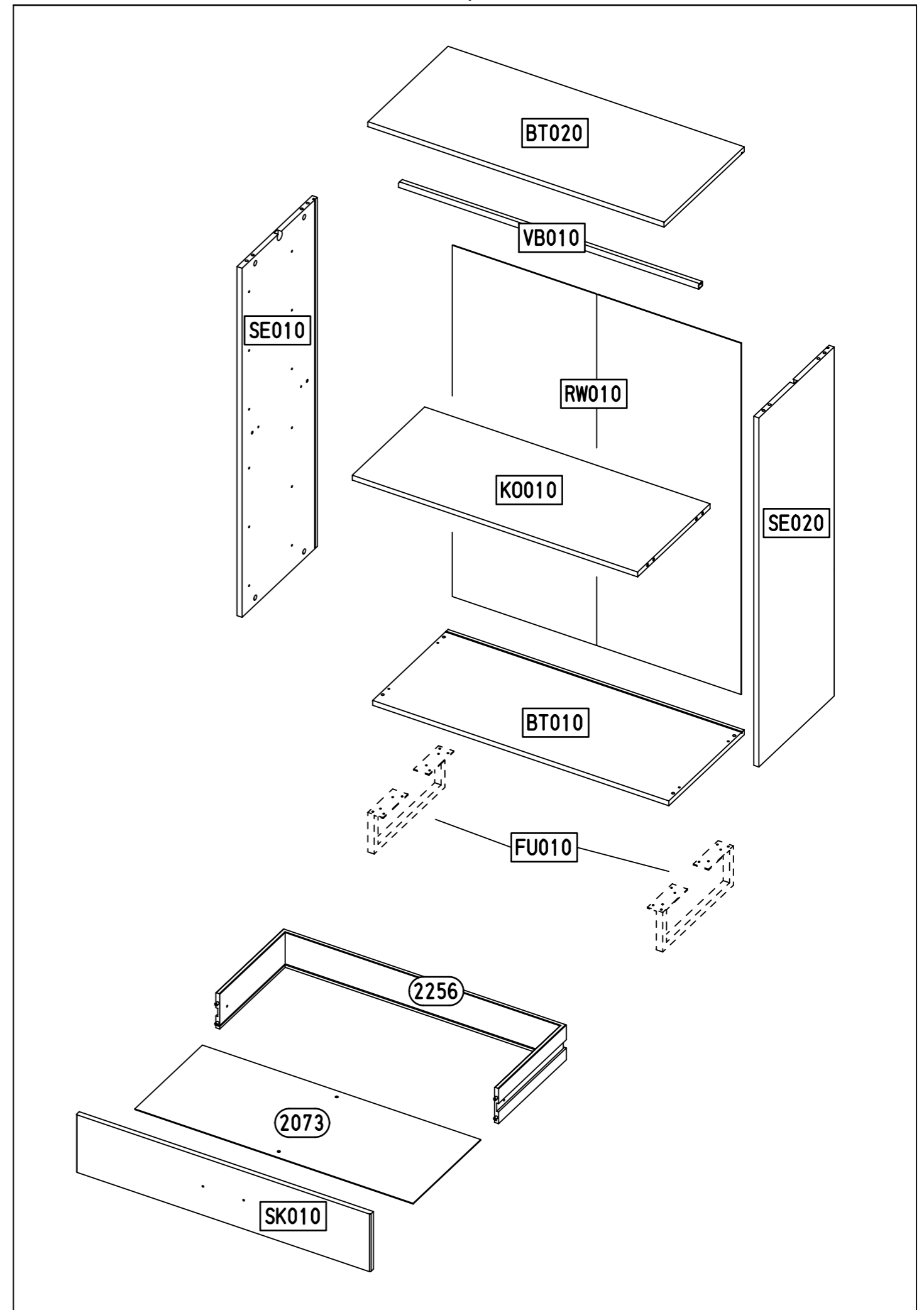


3.

<p>12x (1)</p> 	<p>(11)</p> 	<p>12x (18)</p>  <p>8x30</p>	<p>12x (183)</p>  <p>23/10x7,5</p>
<p>12x (201)</p>  <p>4x15</p>	<p>6x (215)</p>  <p>3x20</p>	<p>24x (227)</p>  <p>6x10,5</p>	
<p>12x (259)</p>  <p>342x27x9,5</p>		<p>12x (349)</p> 	
<p>24x (405)</p> 	<p>12x (568)</p>  <p>M4x9</p>	<p>4x (1090)</p> 	
<p>VB010</p> 			
   			

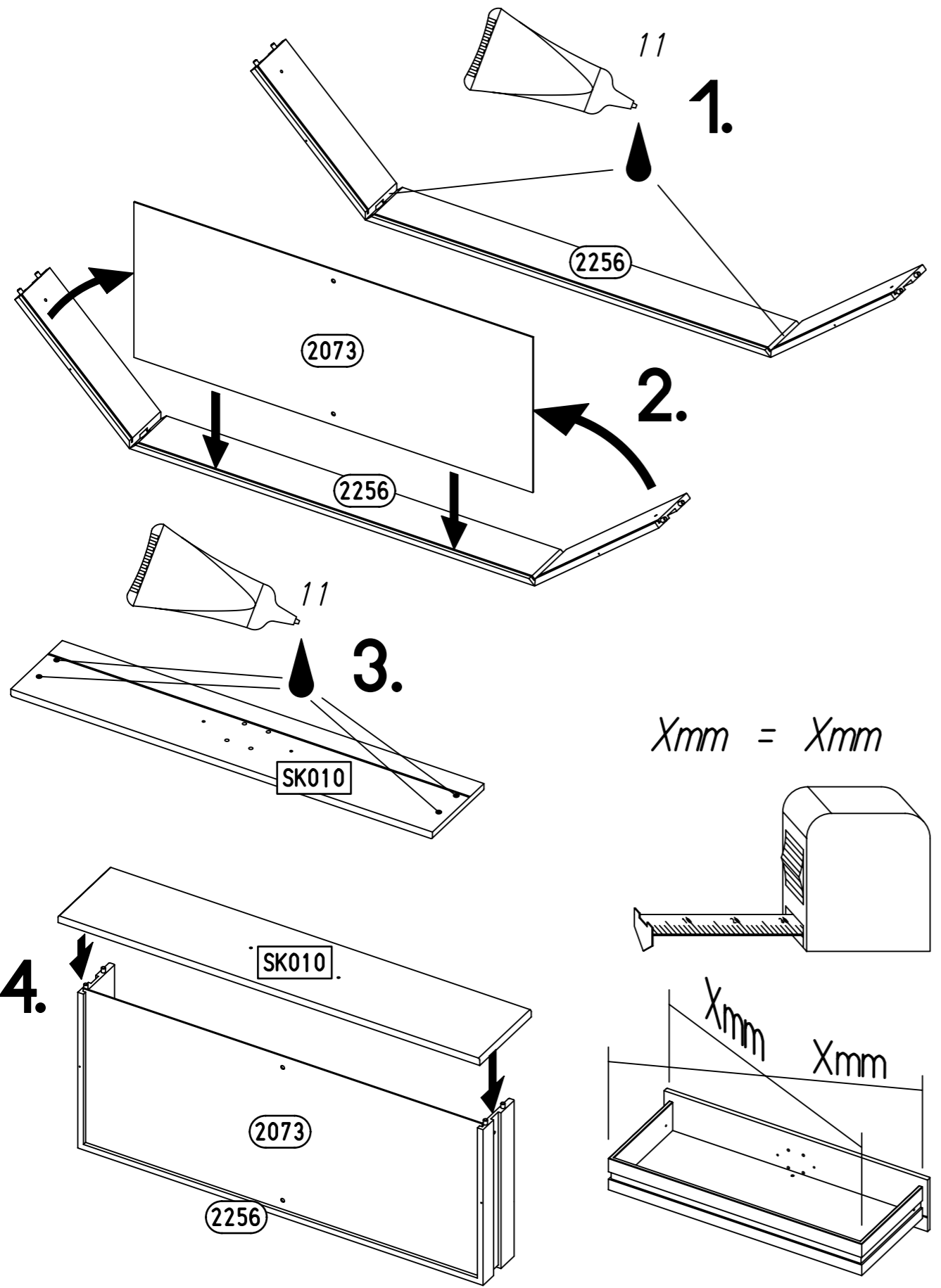
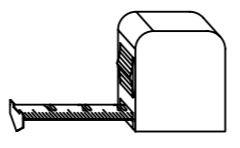
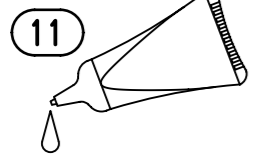
M2532

4.



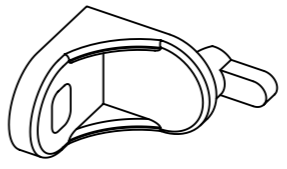
M2532

1

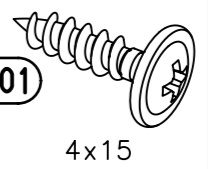


2

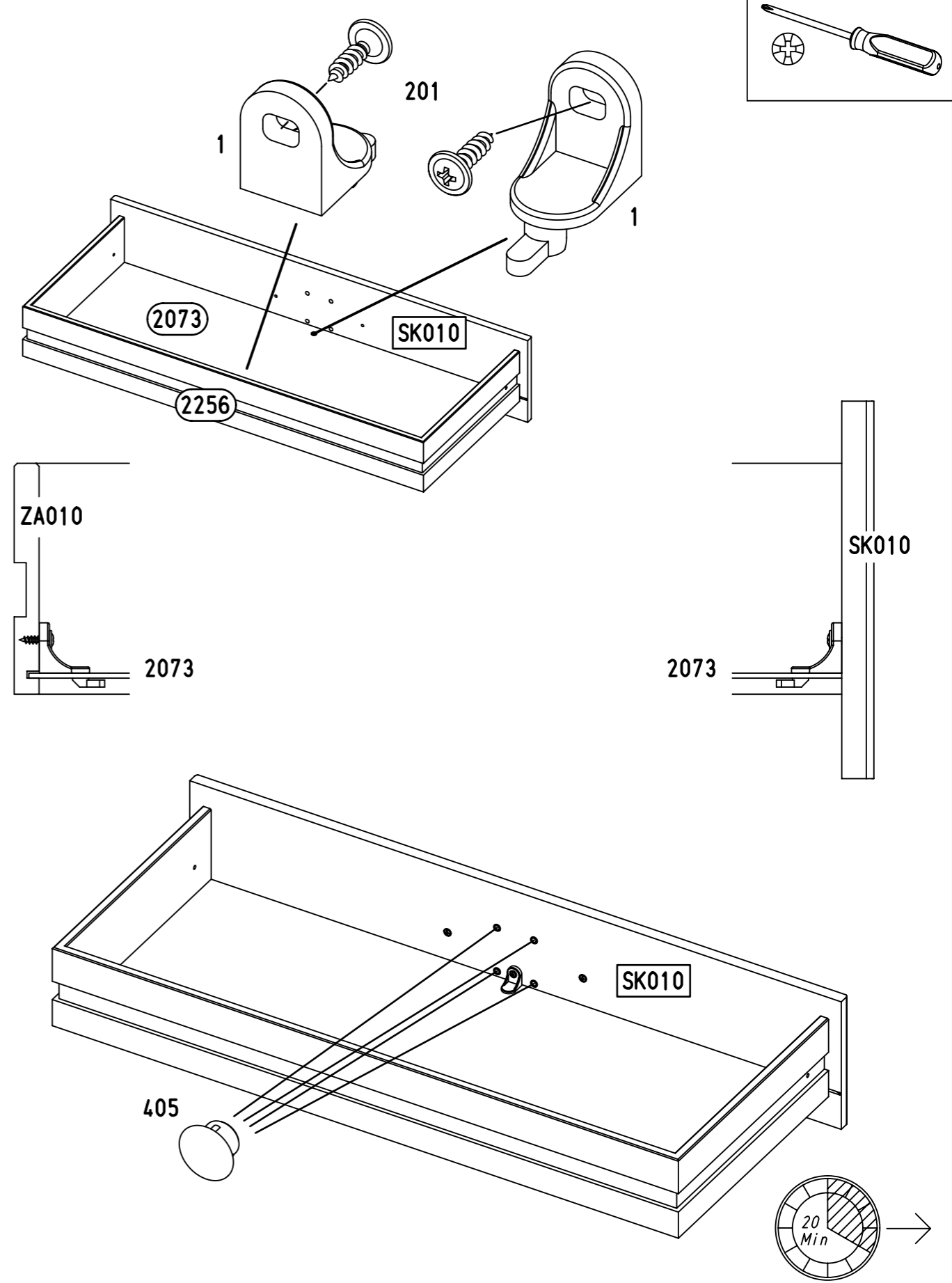
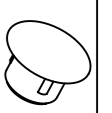
12x 1



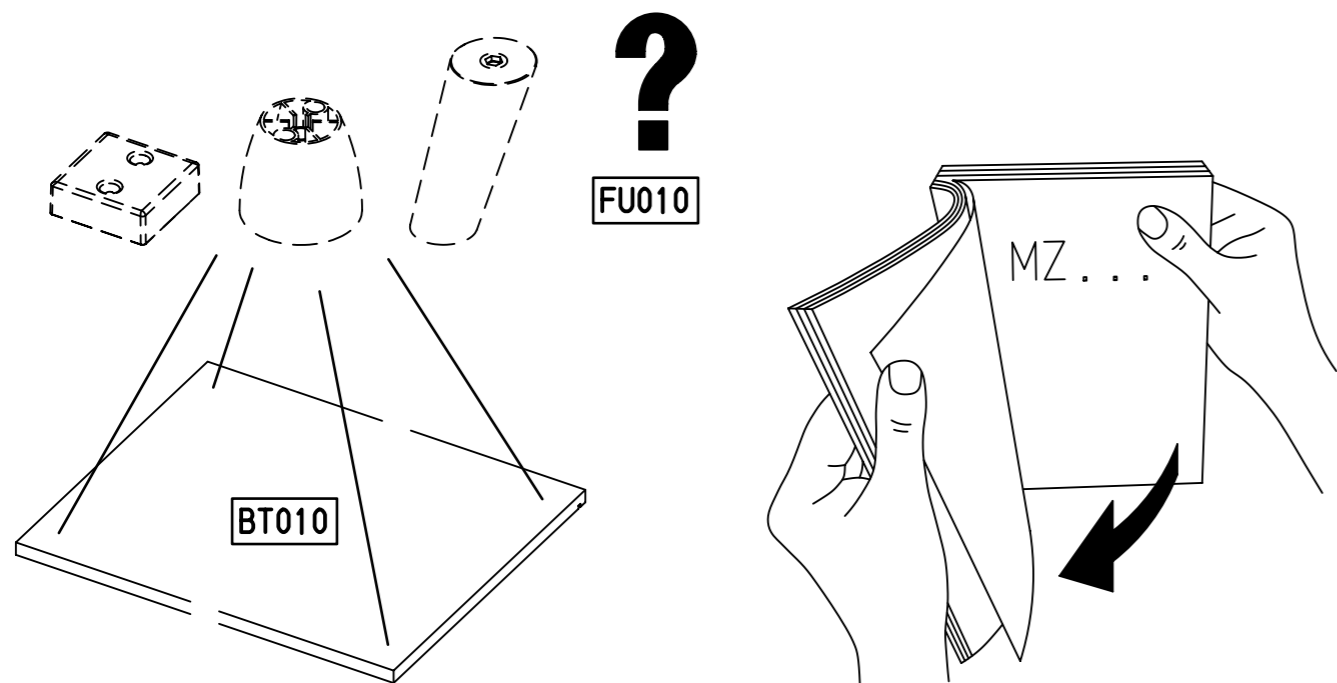
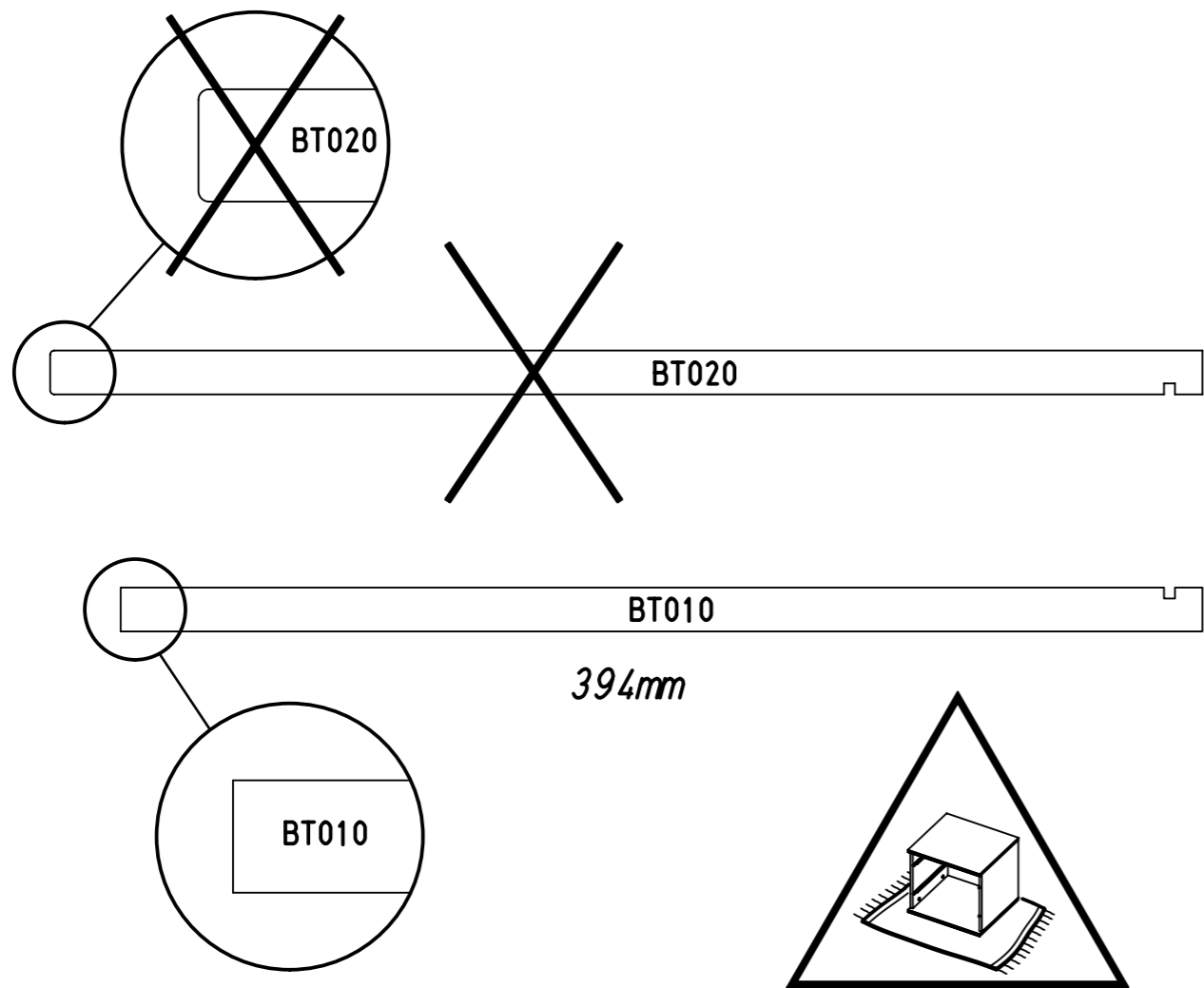
12x 201



24x 405

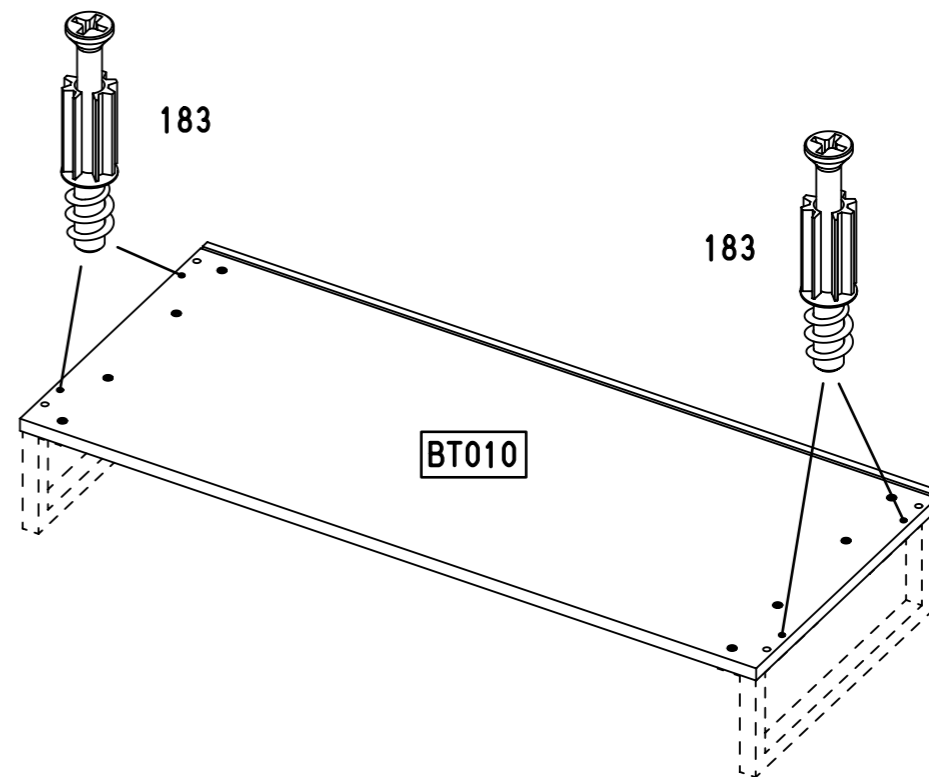
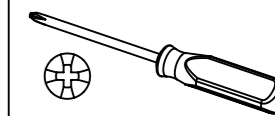
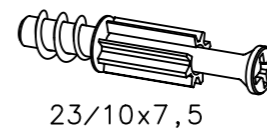


3



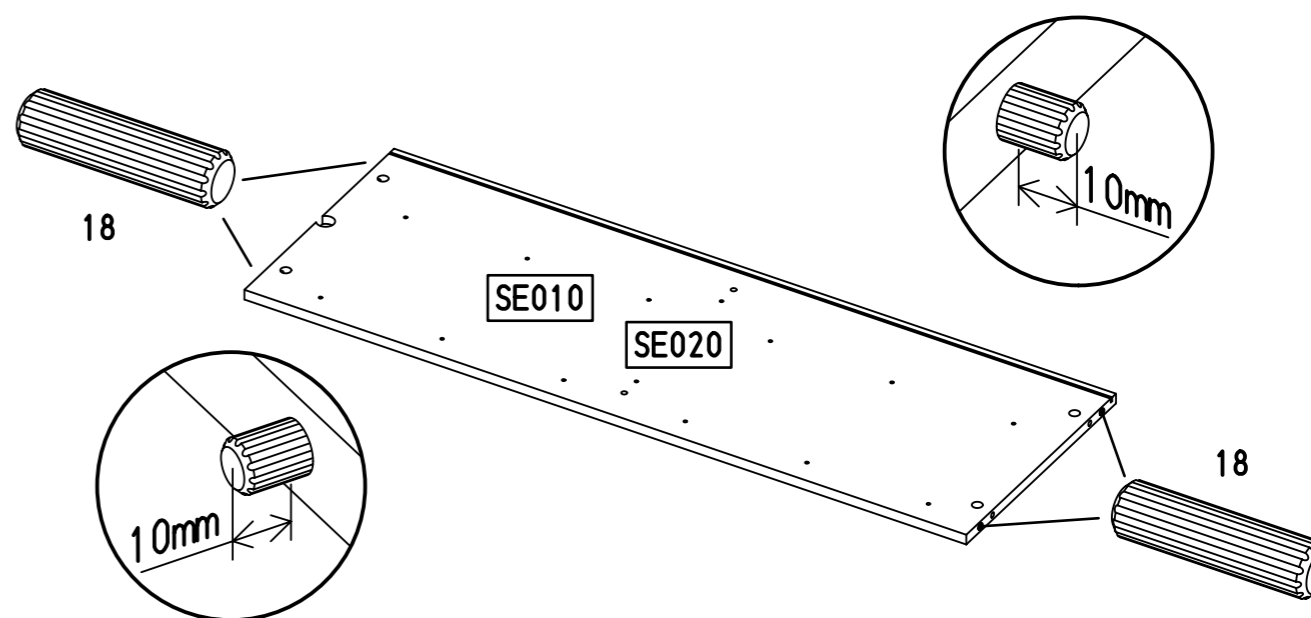
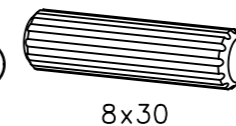
4

4x 183



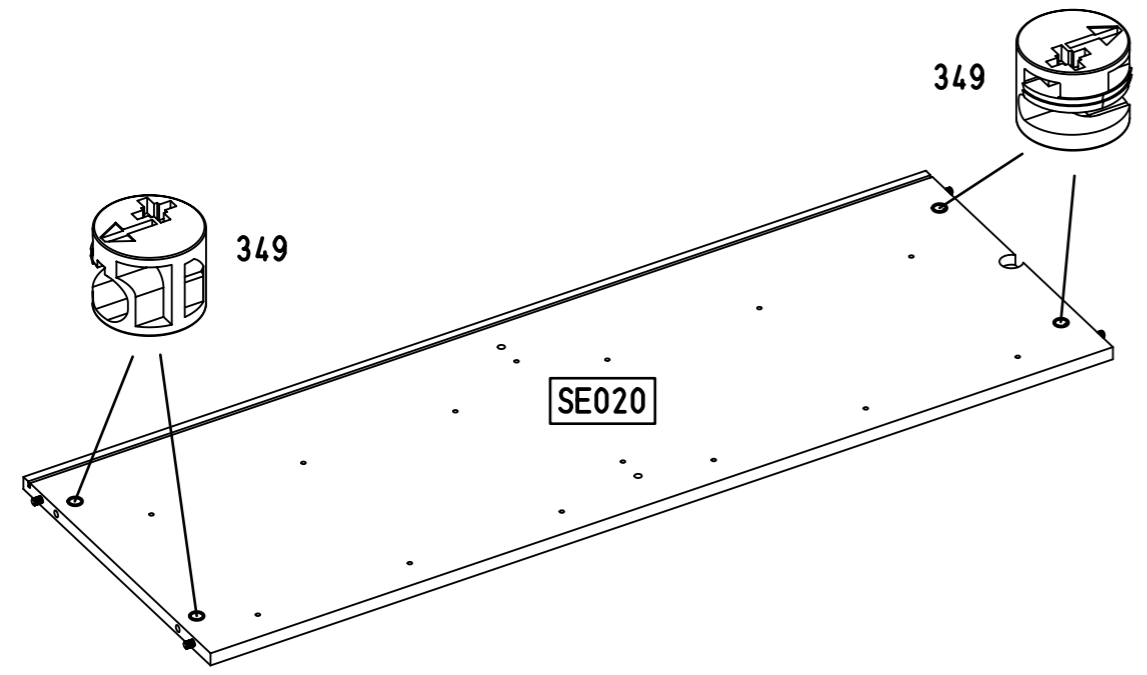
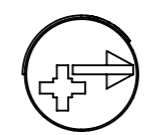
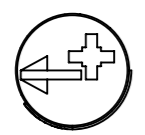
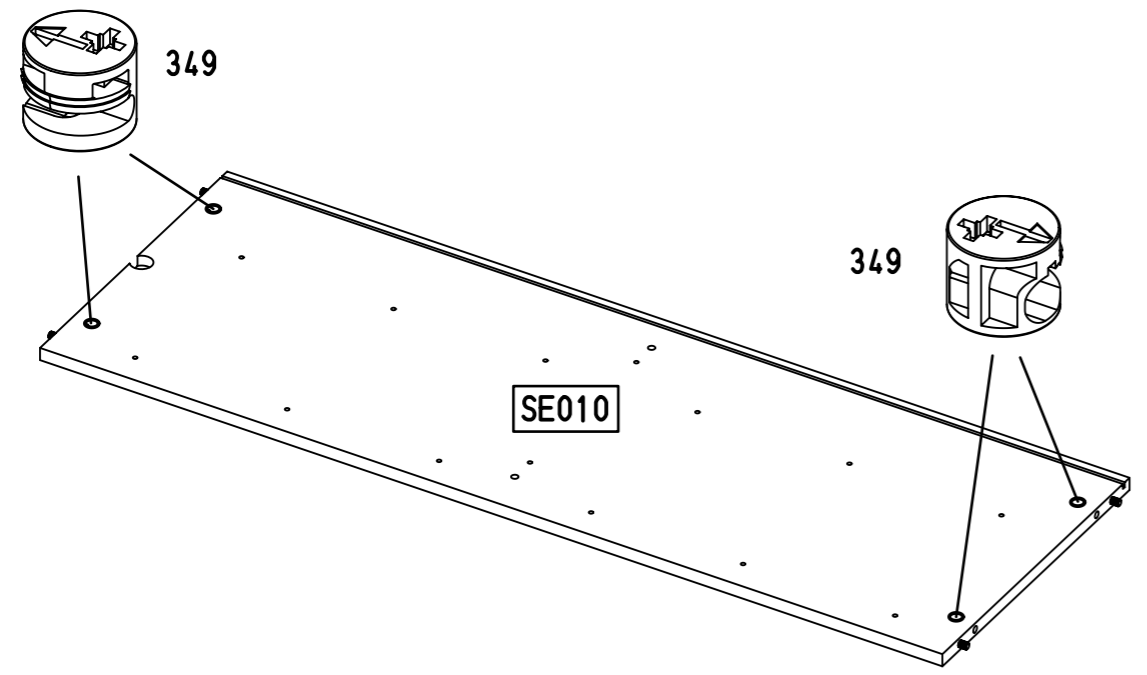
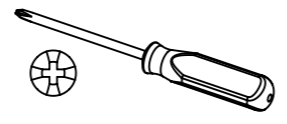
5

8x 18



6

8x 349



7

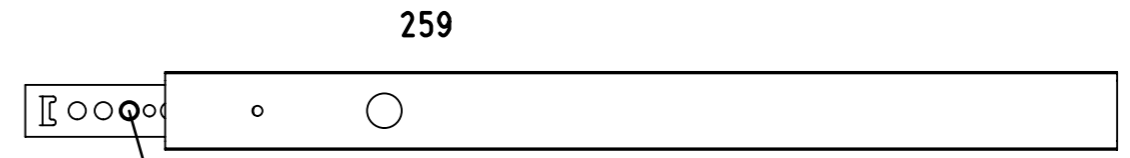
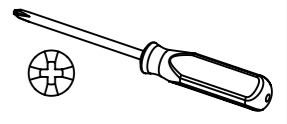
6x 259

342x27x9,5

12x 227



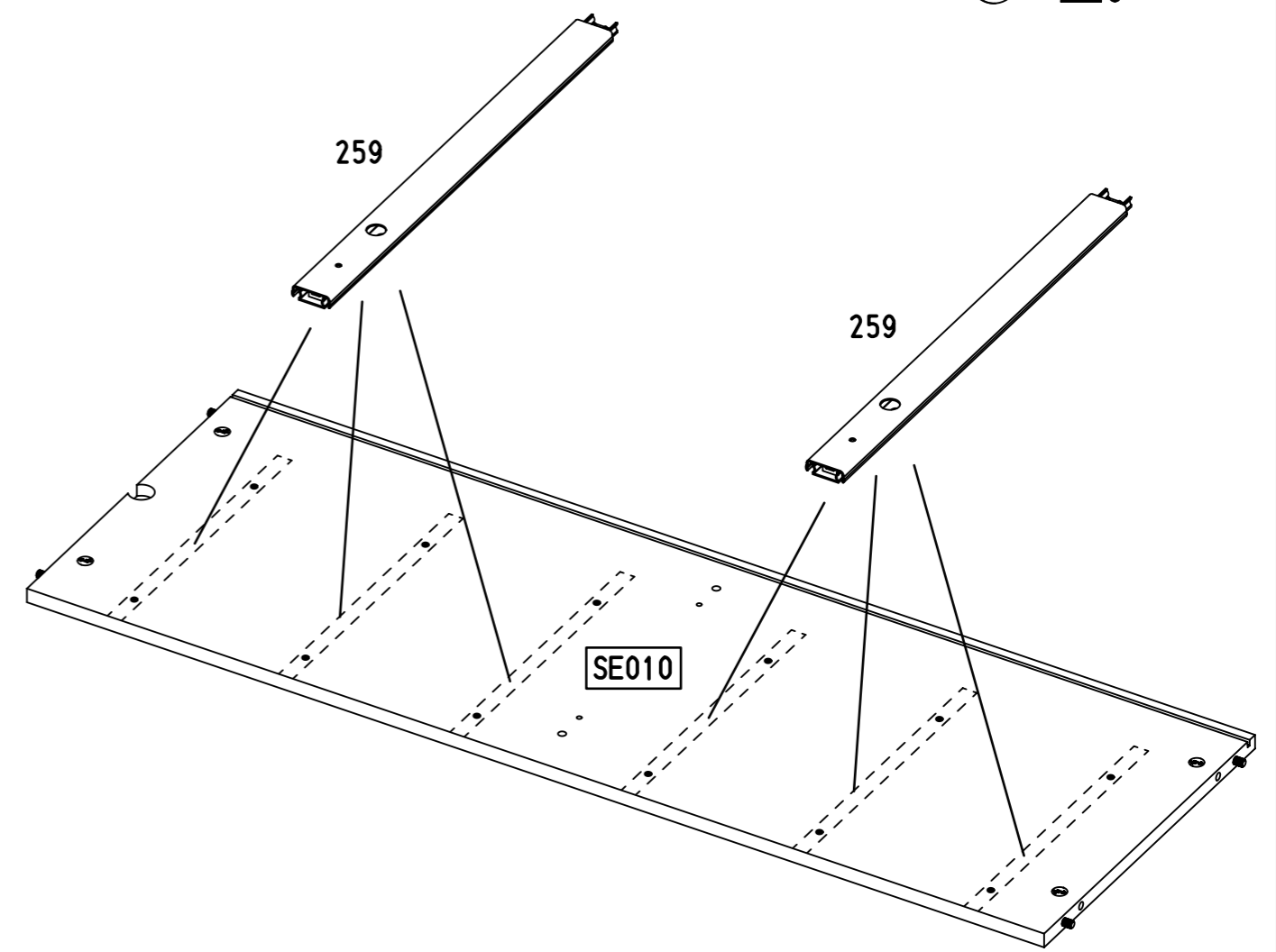
6x10,5



1. 227



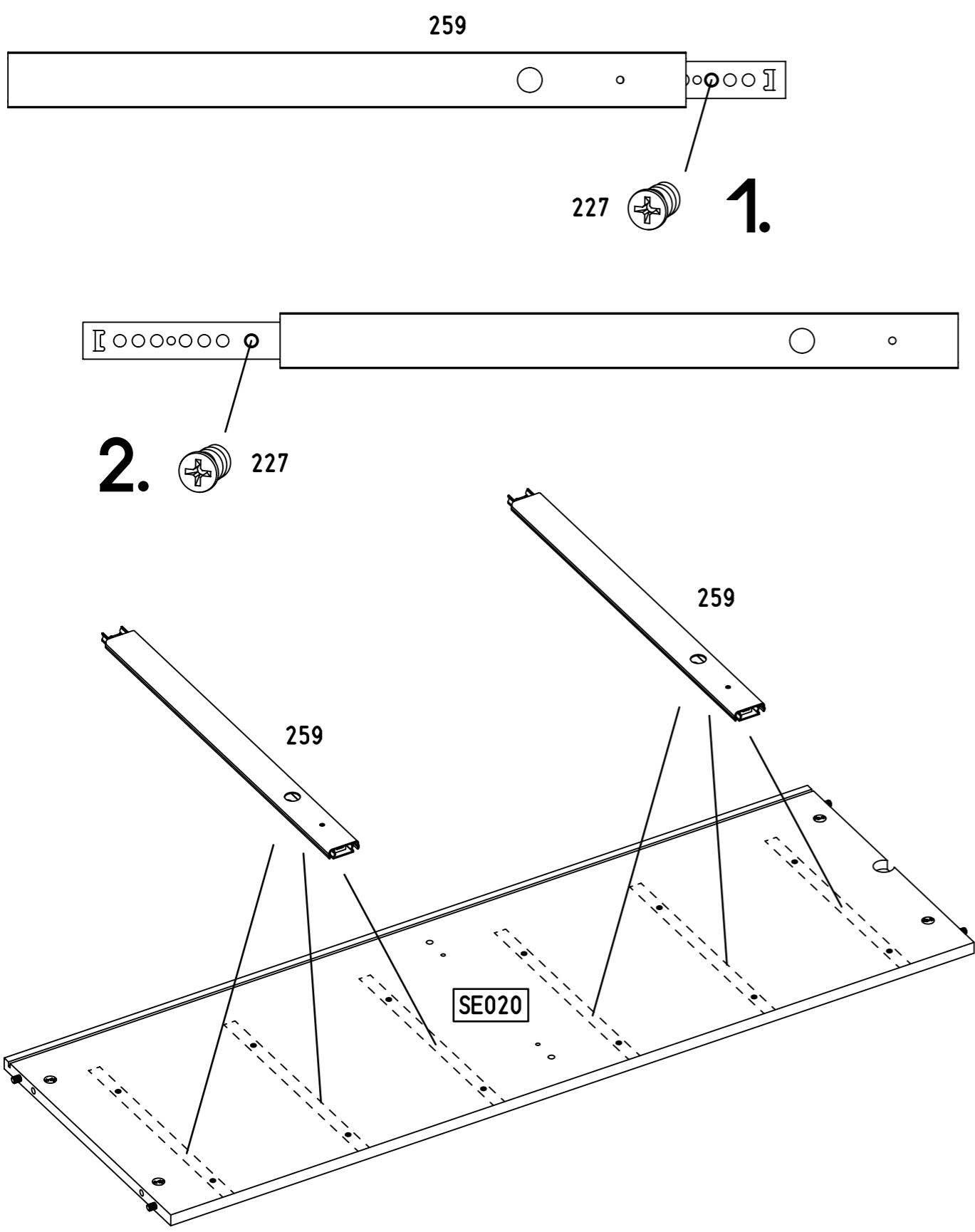
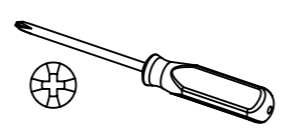
227 2.



8

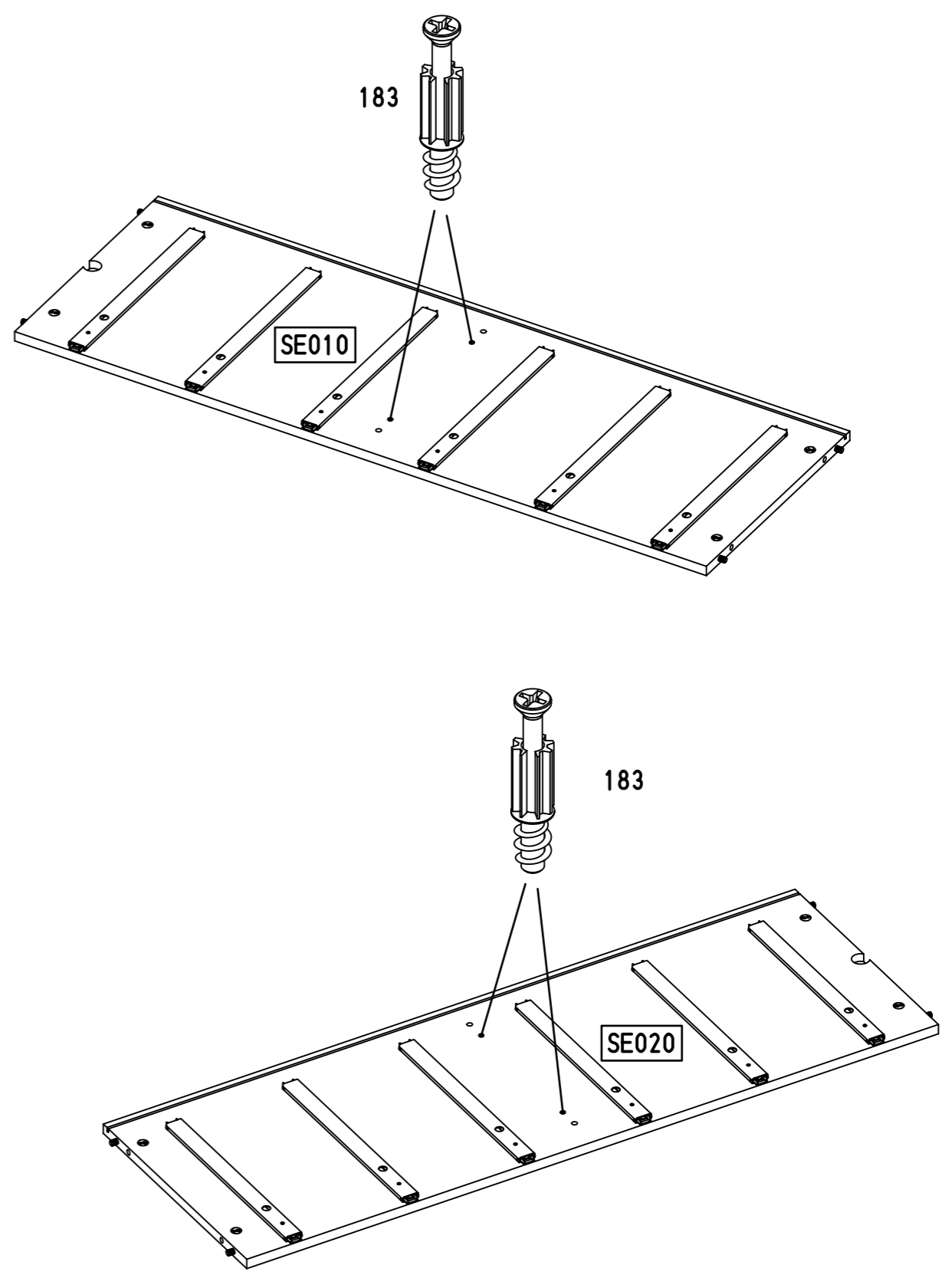
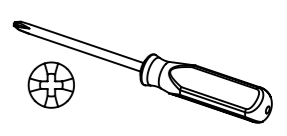
6x **259**
342x27x9,5

12x **227**
6x10,5



9

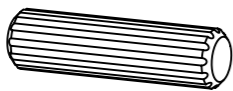
4x **183**
23/10x7,5



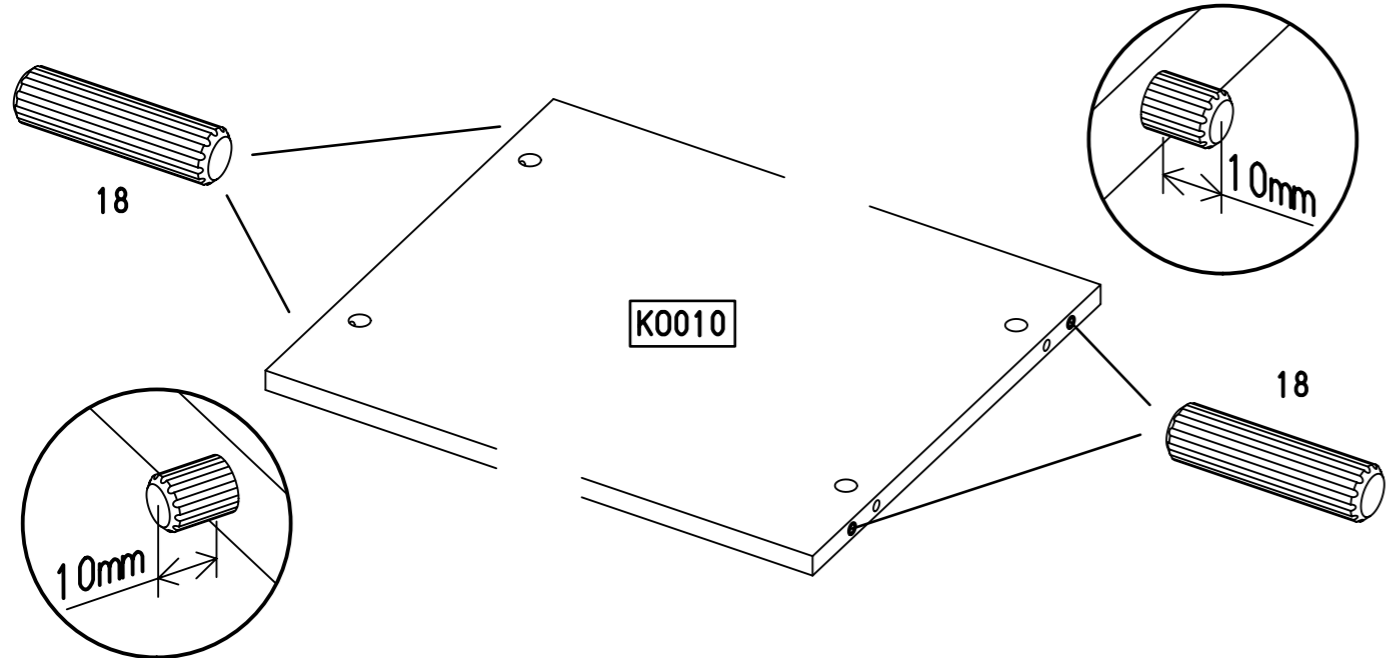
10

4x

18



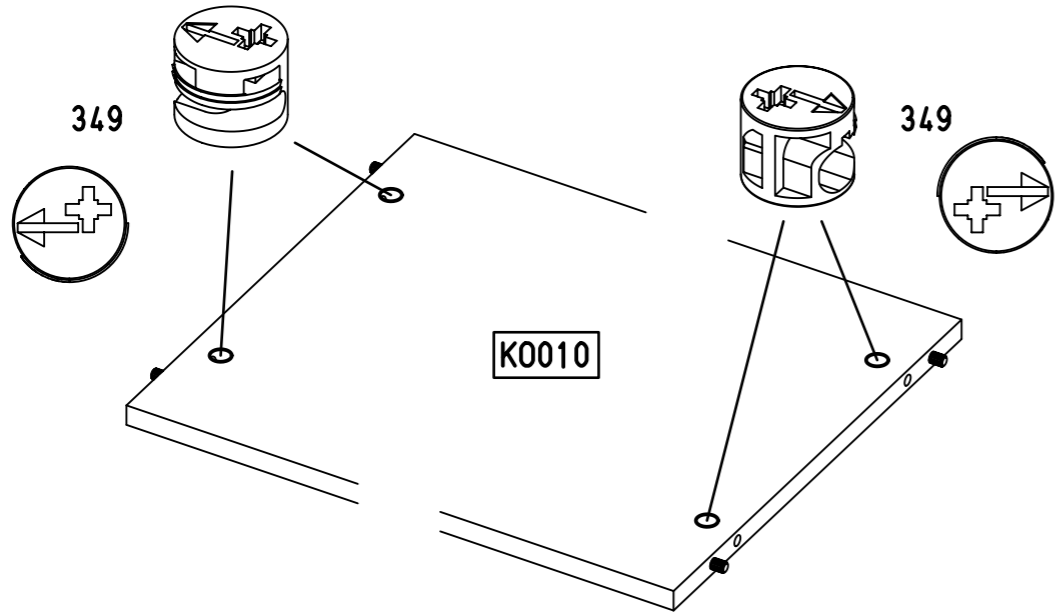
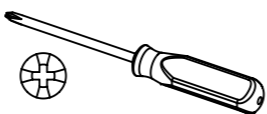
8x30



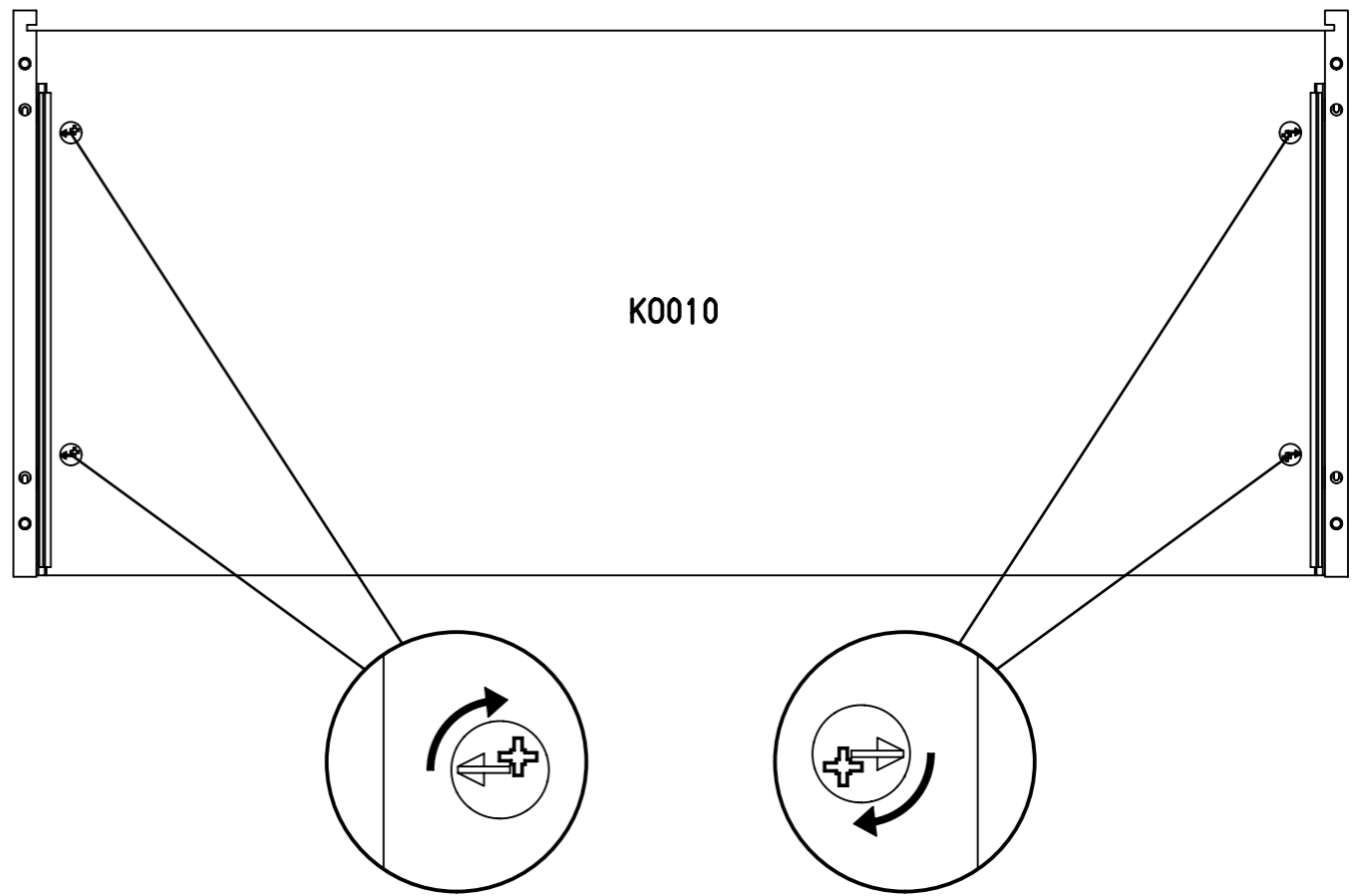
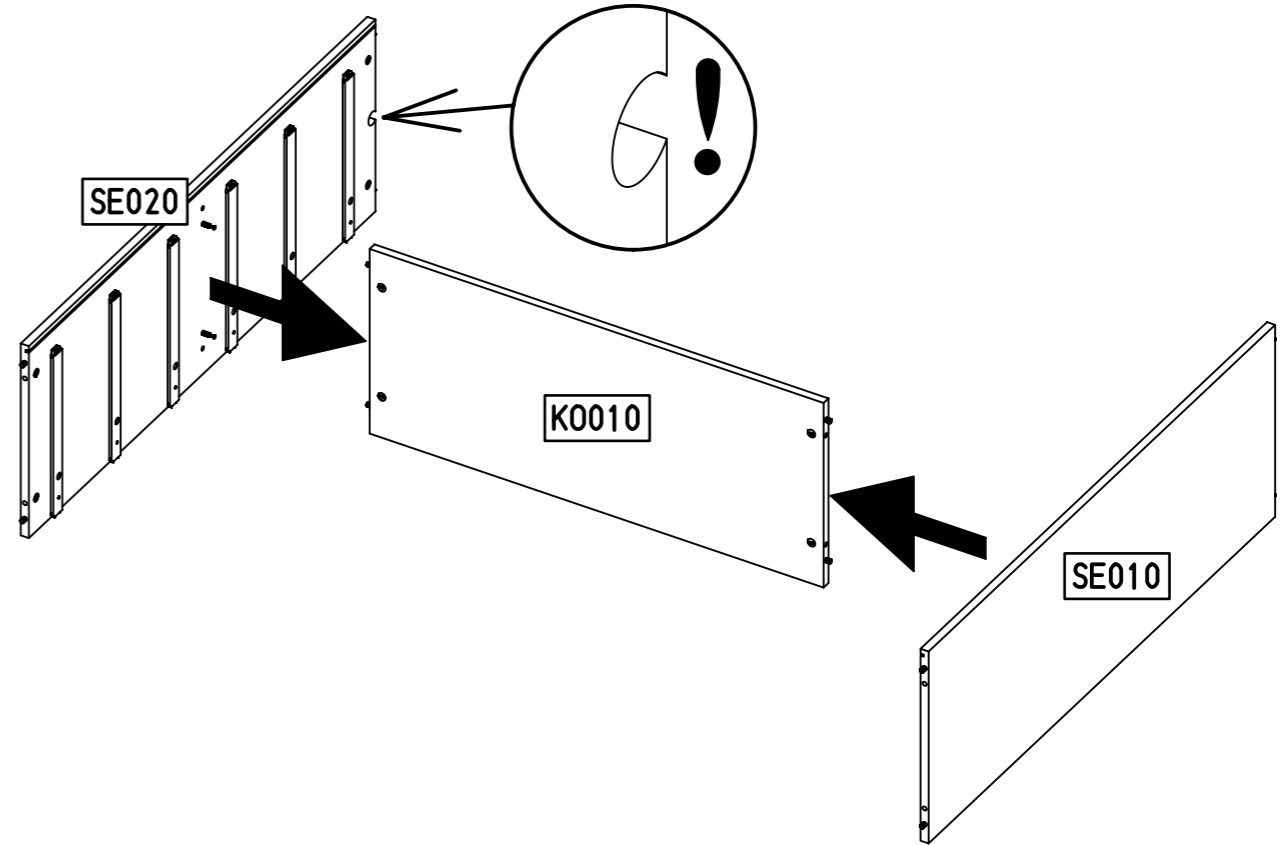
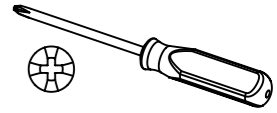
11

4x

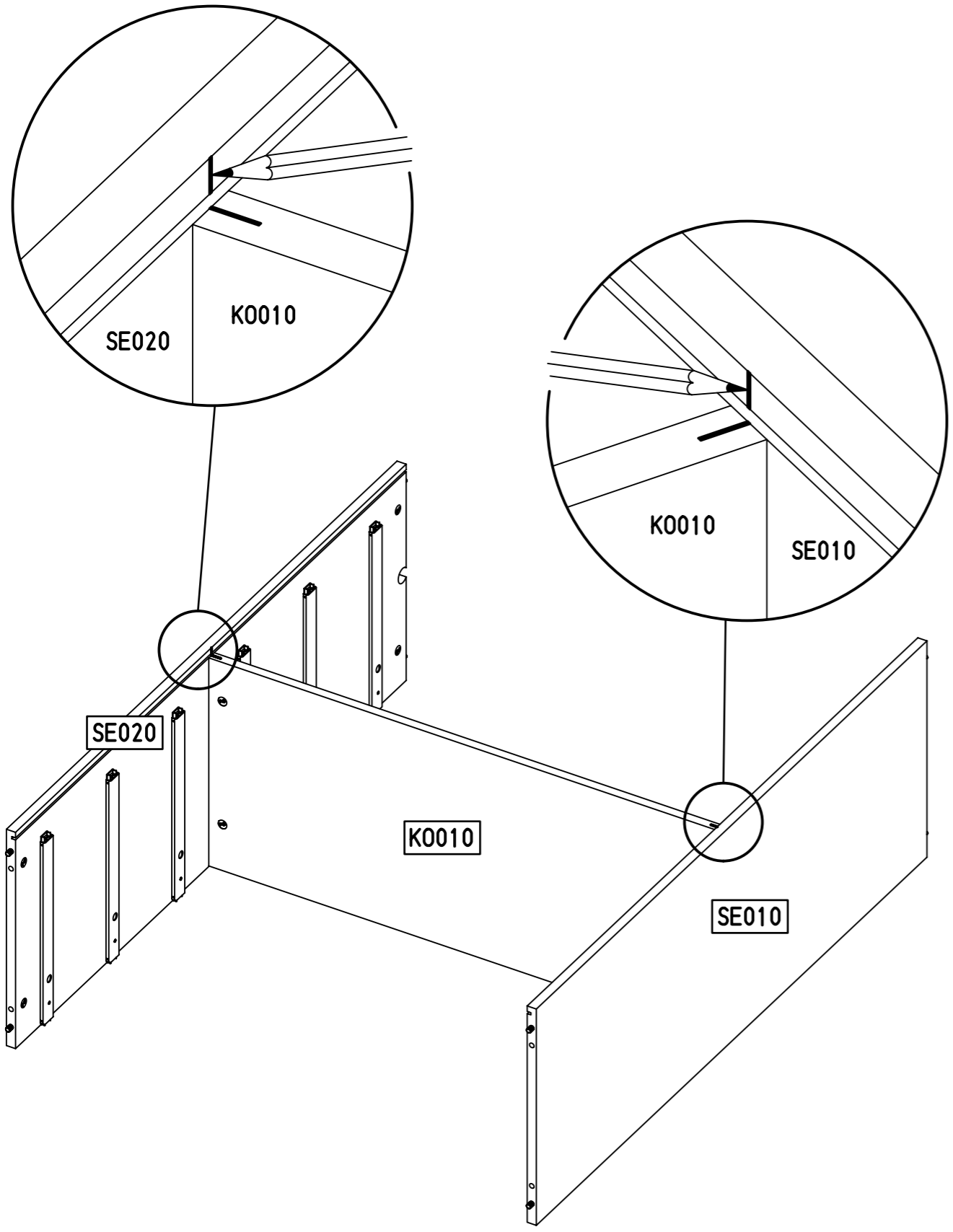
349



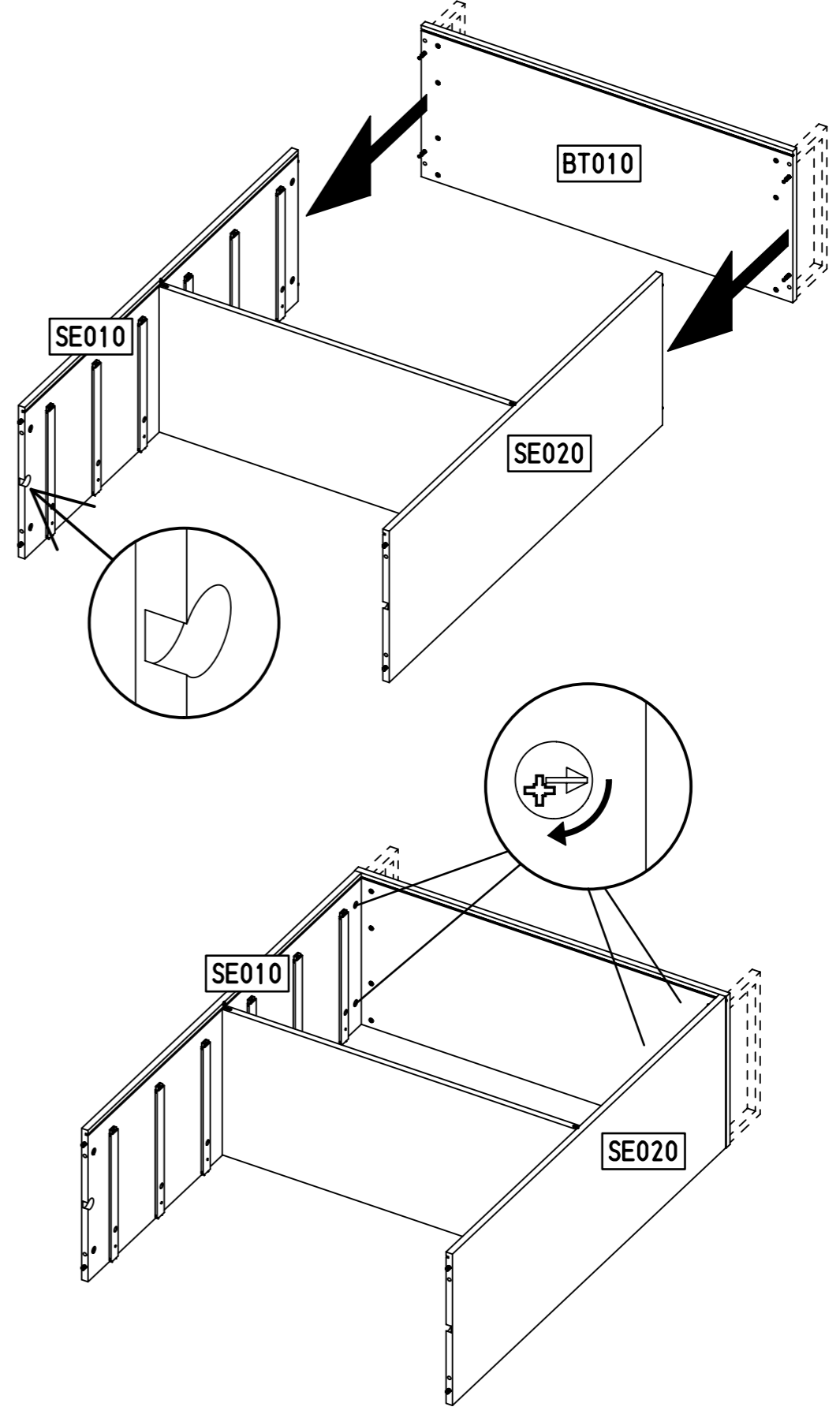
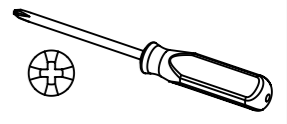
12



13

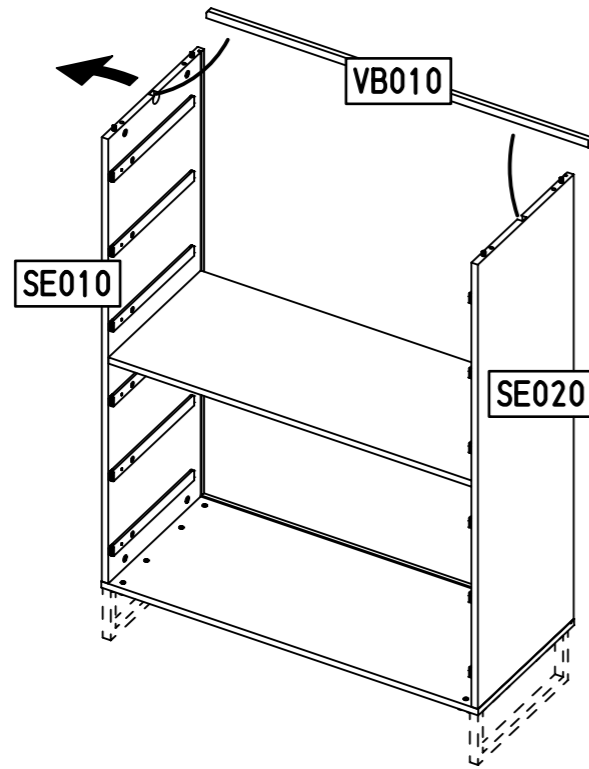
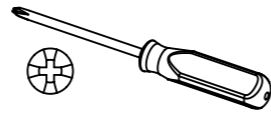


14

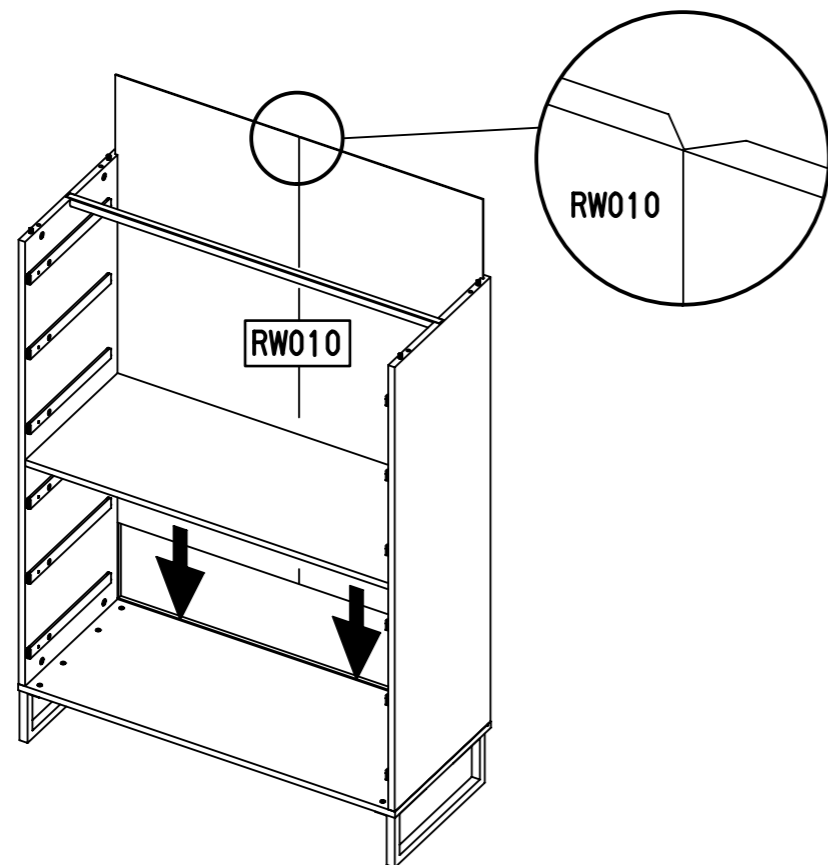
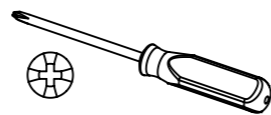


17.

15



16

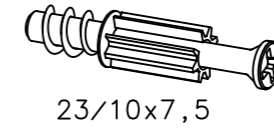


M2532

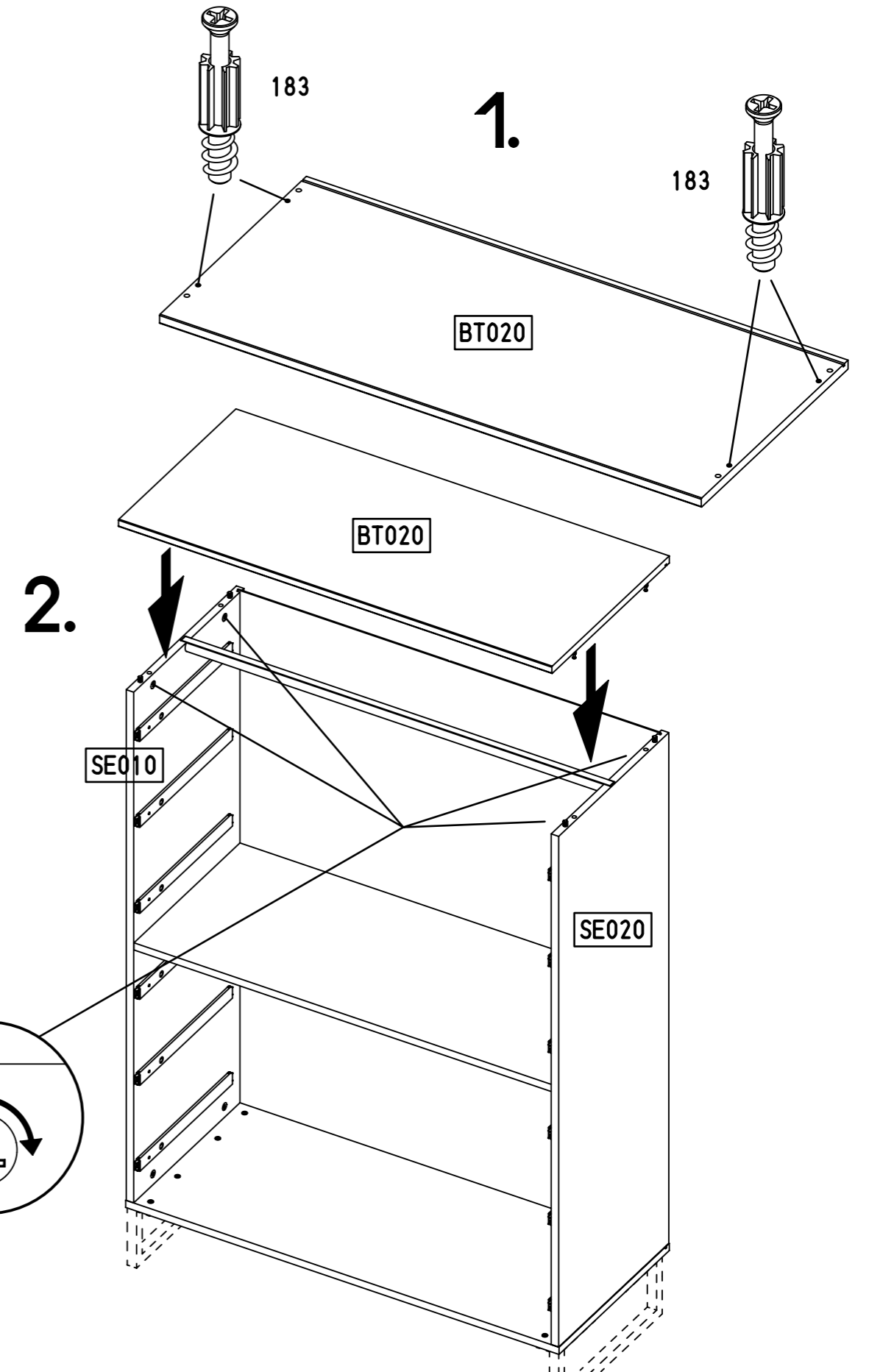
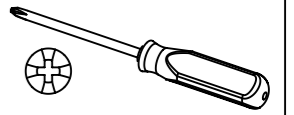
18.

17

4x 183

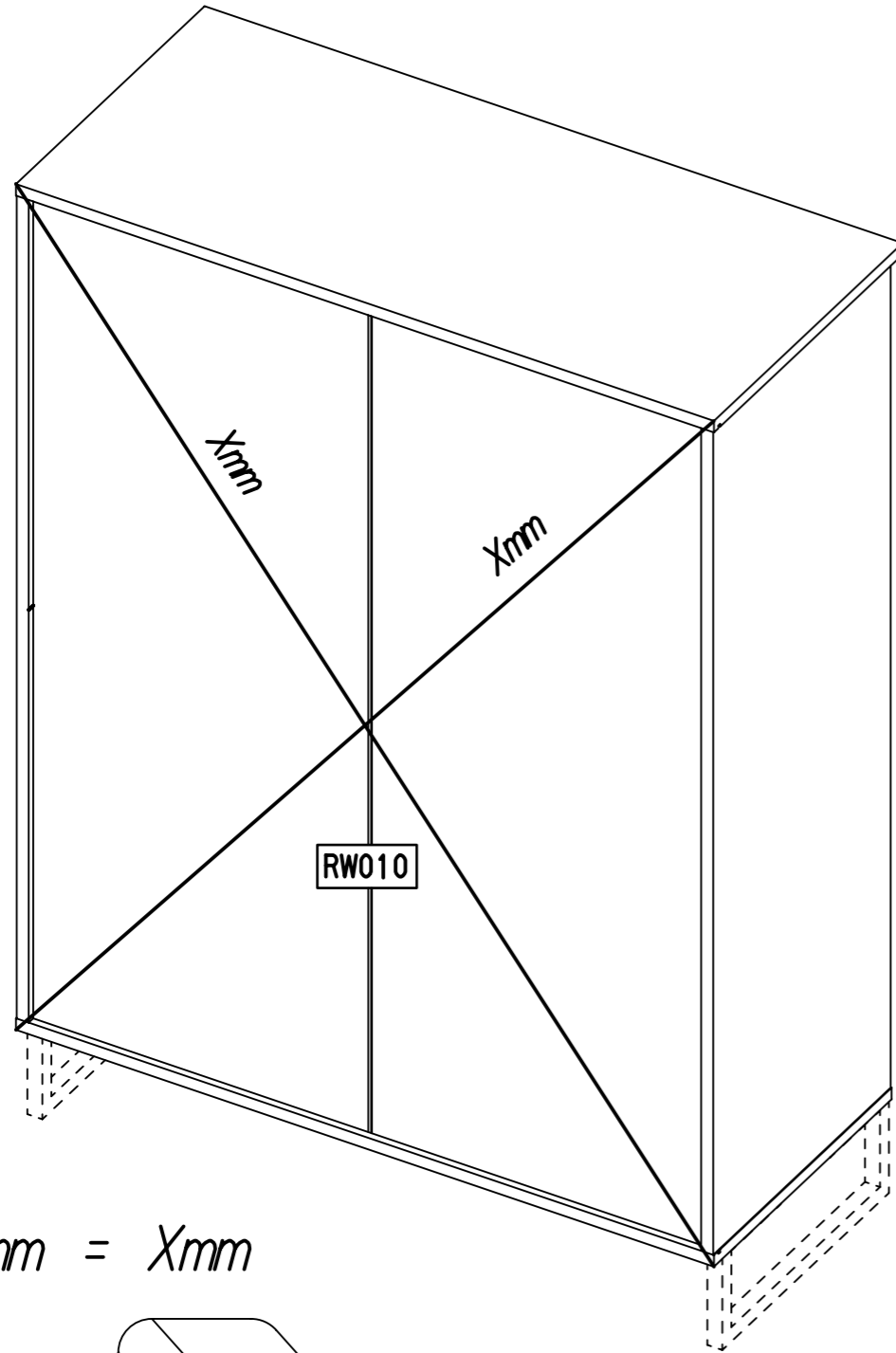
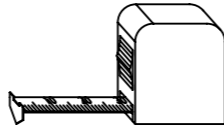


23/10x7,5

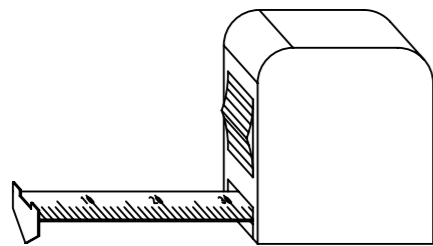


M2532

18

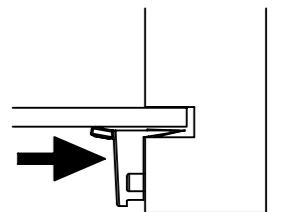
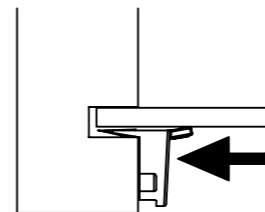
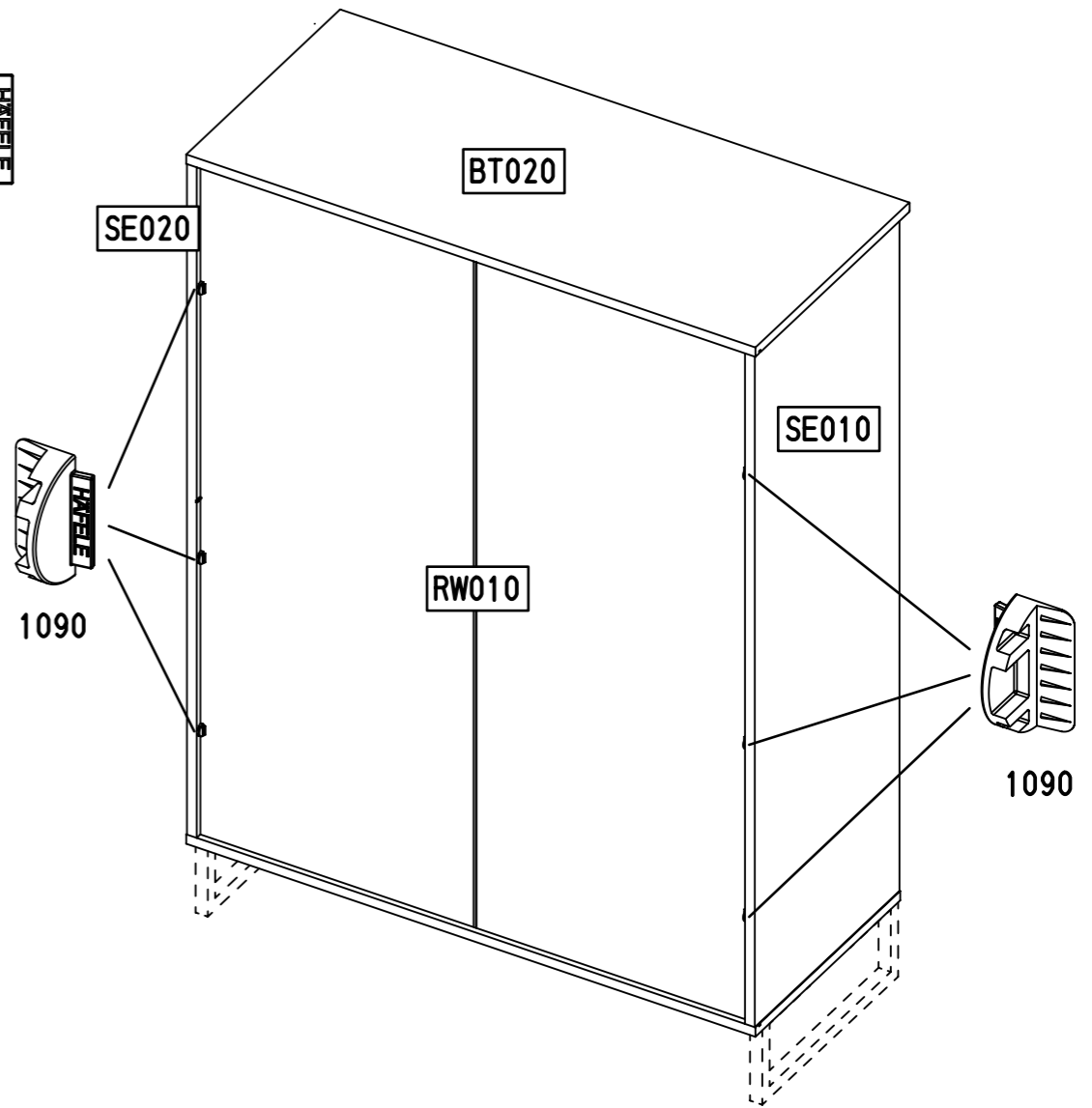
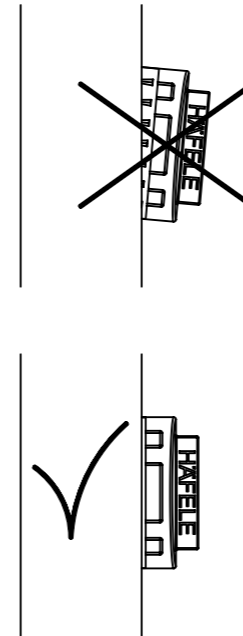
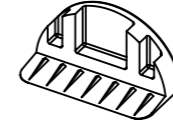


$Xmm = Xmm$

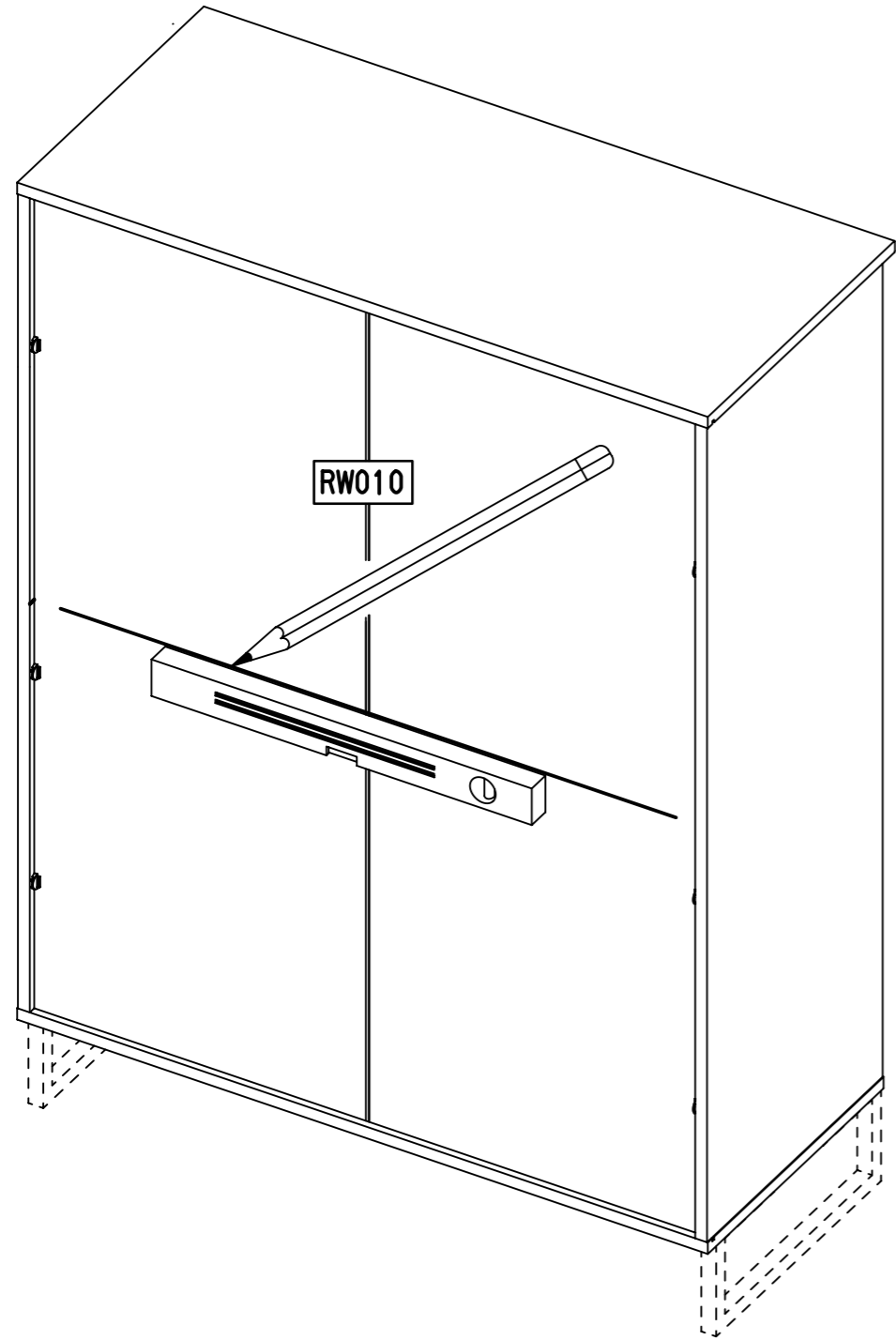
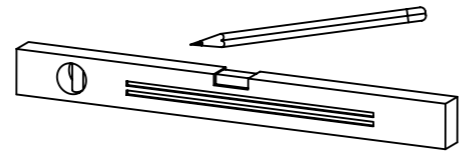


19

6x 1090

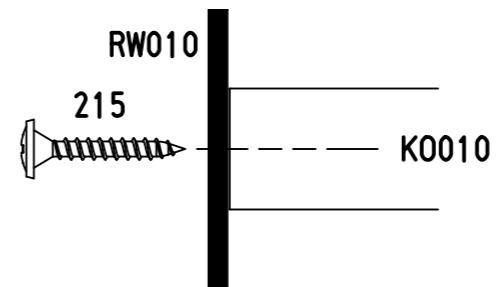
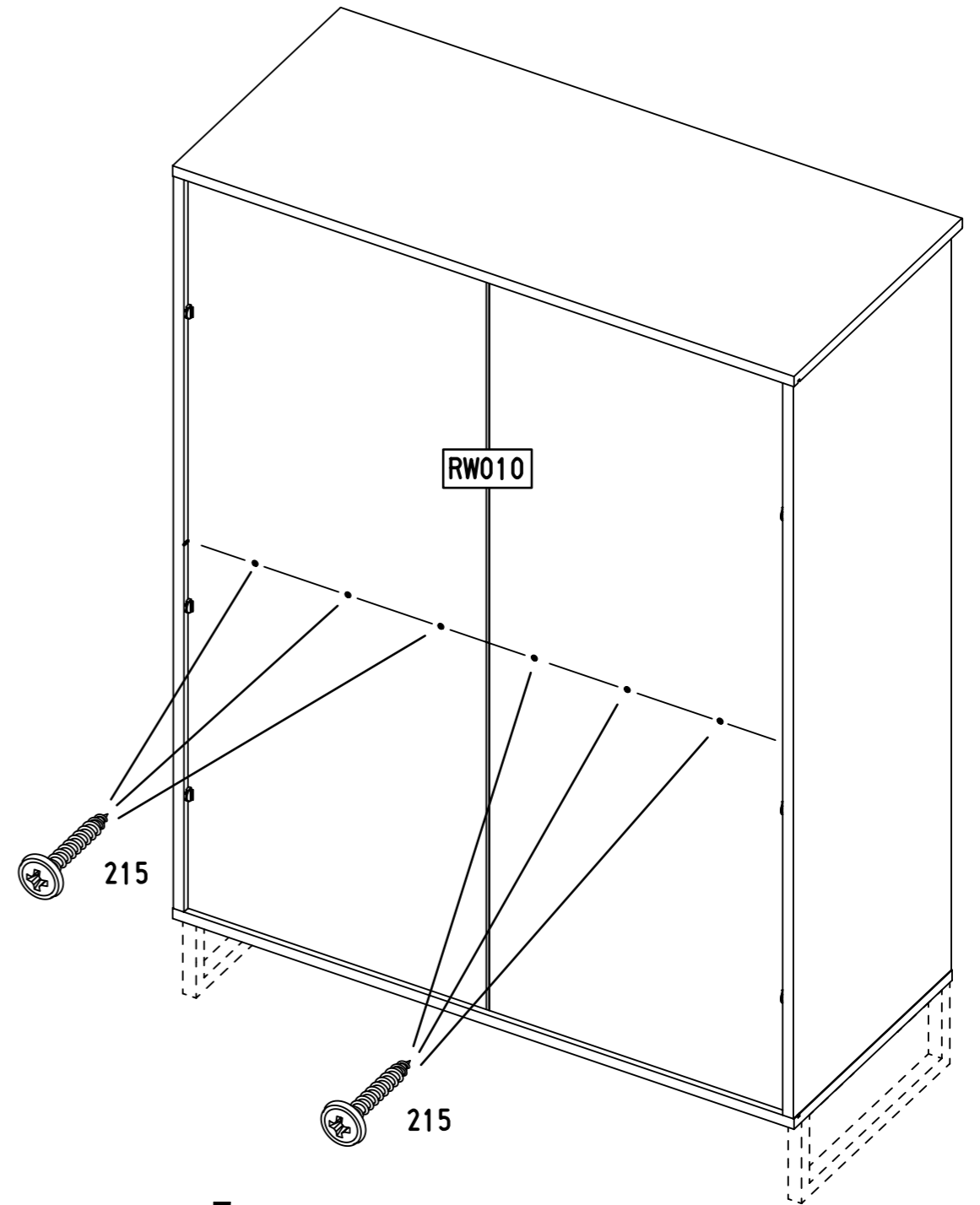
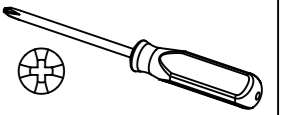
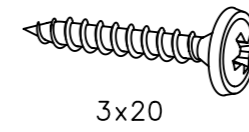


20



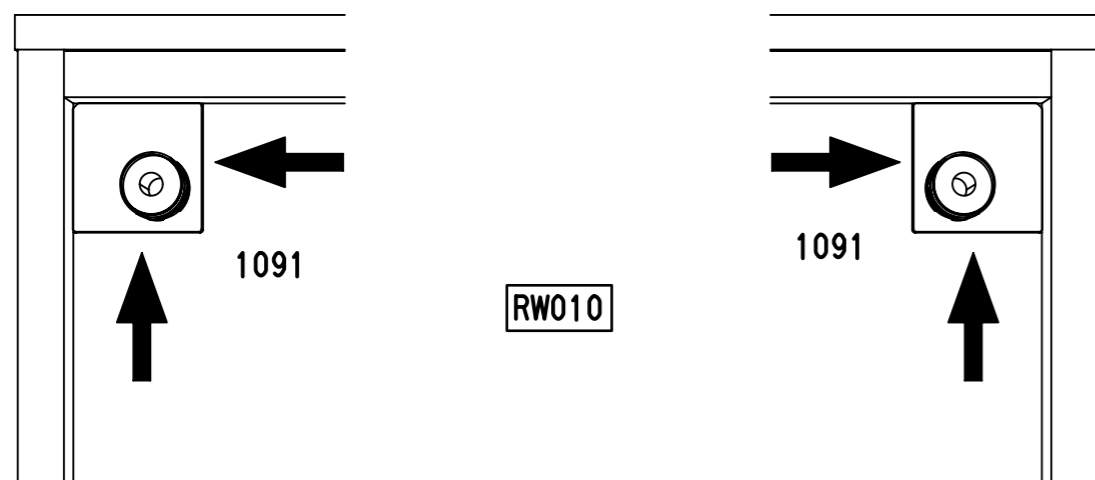
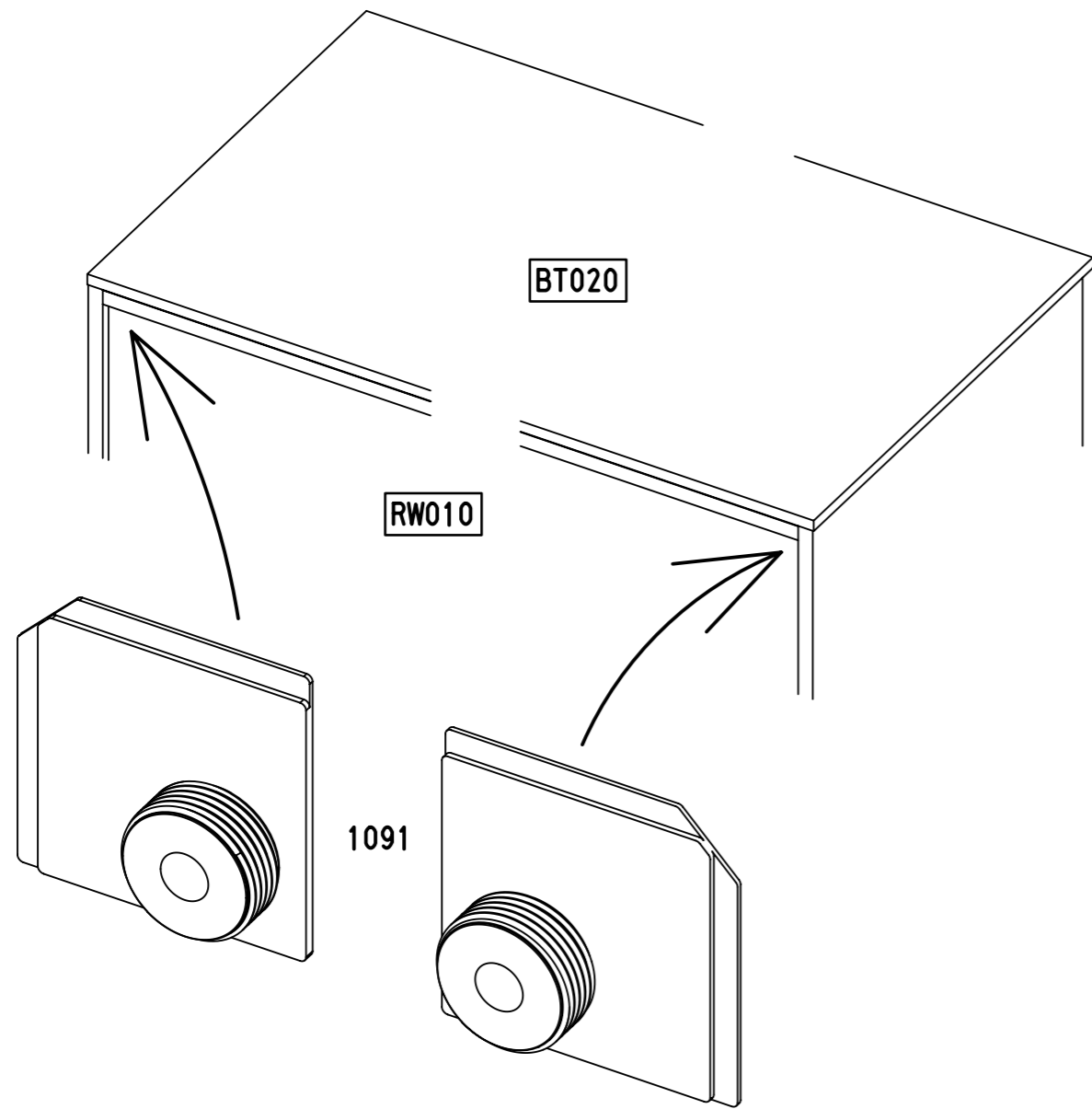
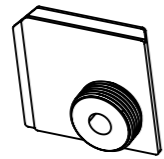
21

6x 215



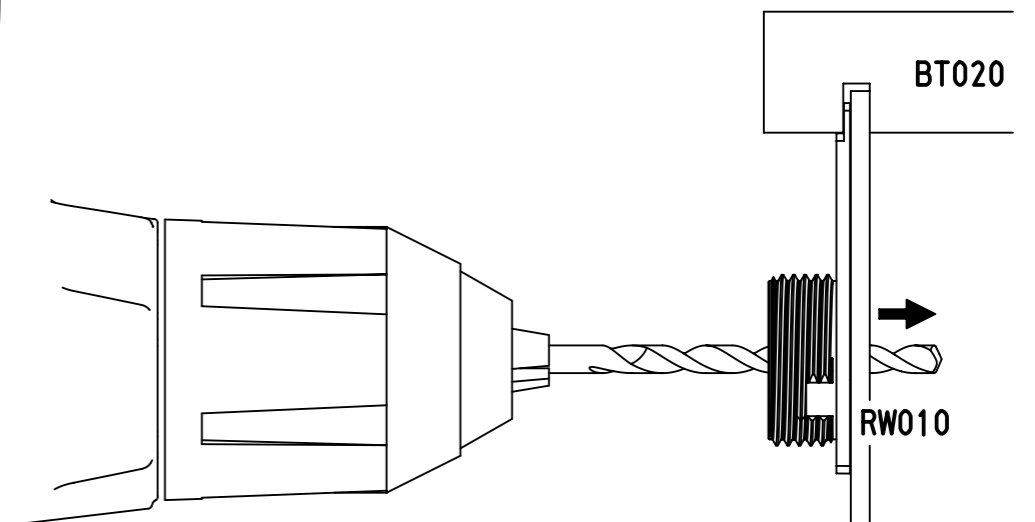
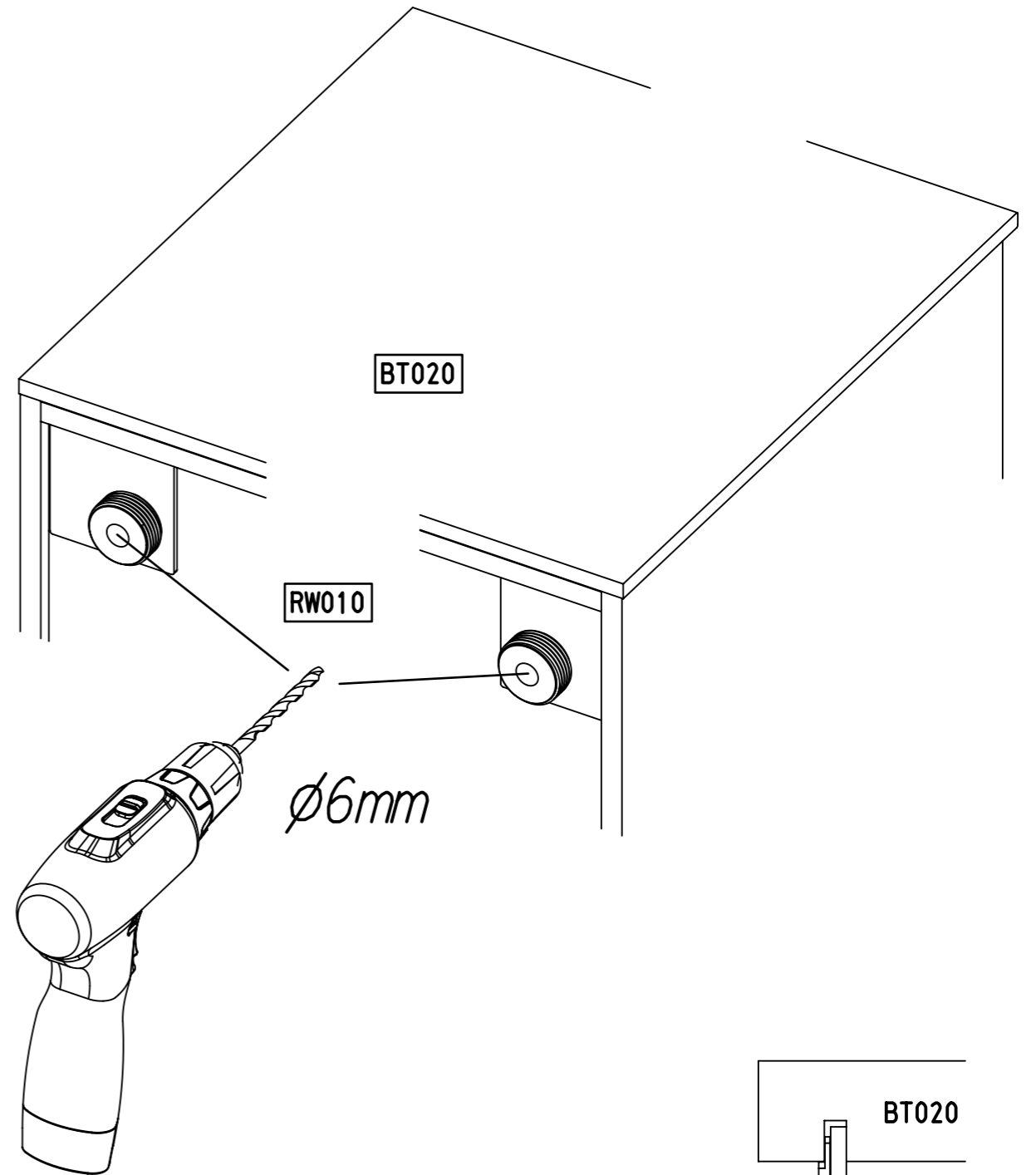
22

2x 1091



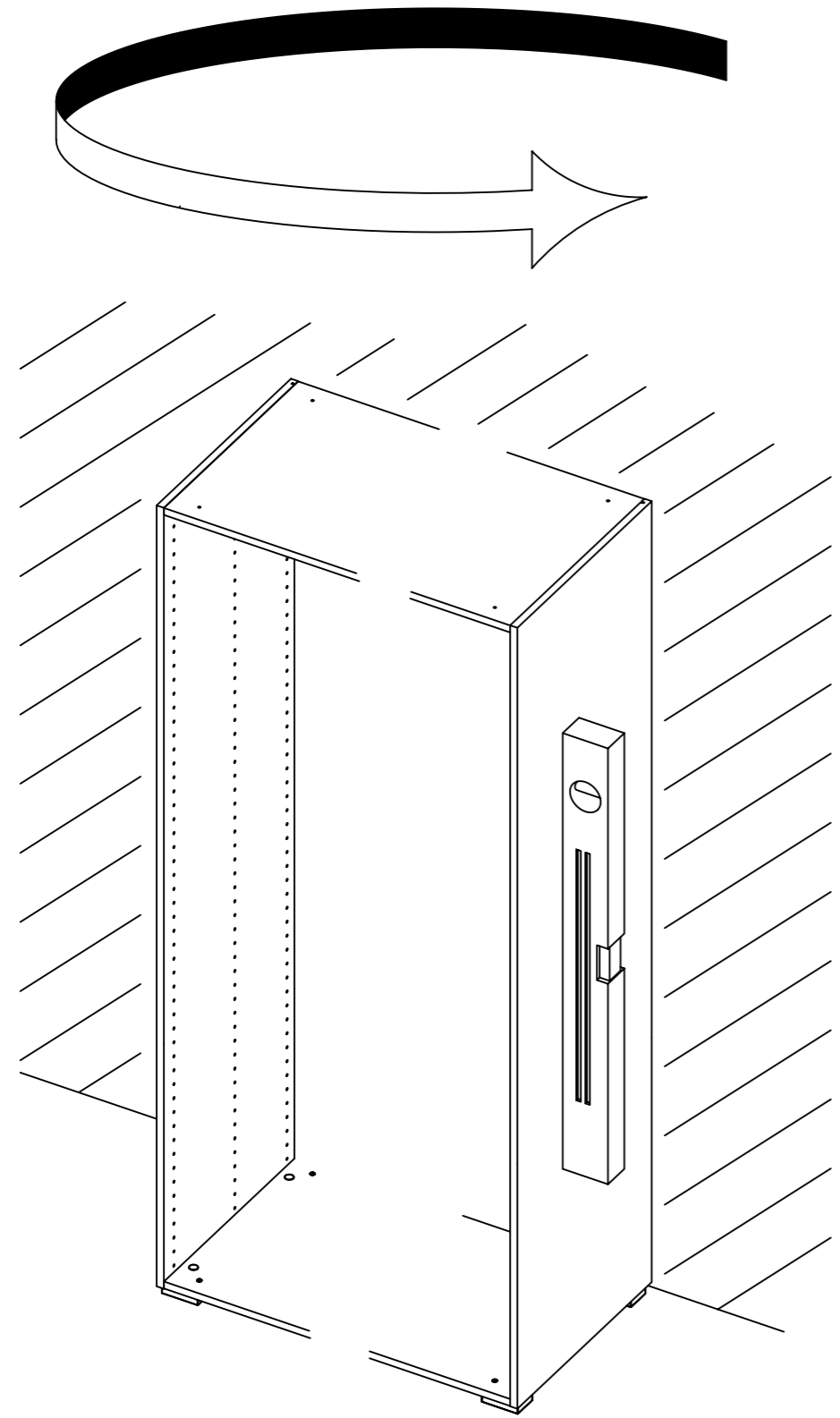
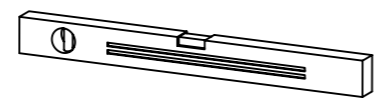
23

ø6mm



25.

24

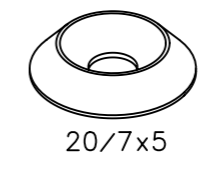


M2532

26.

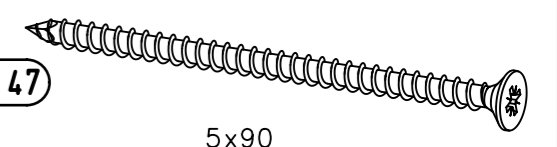
25

2x 1093

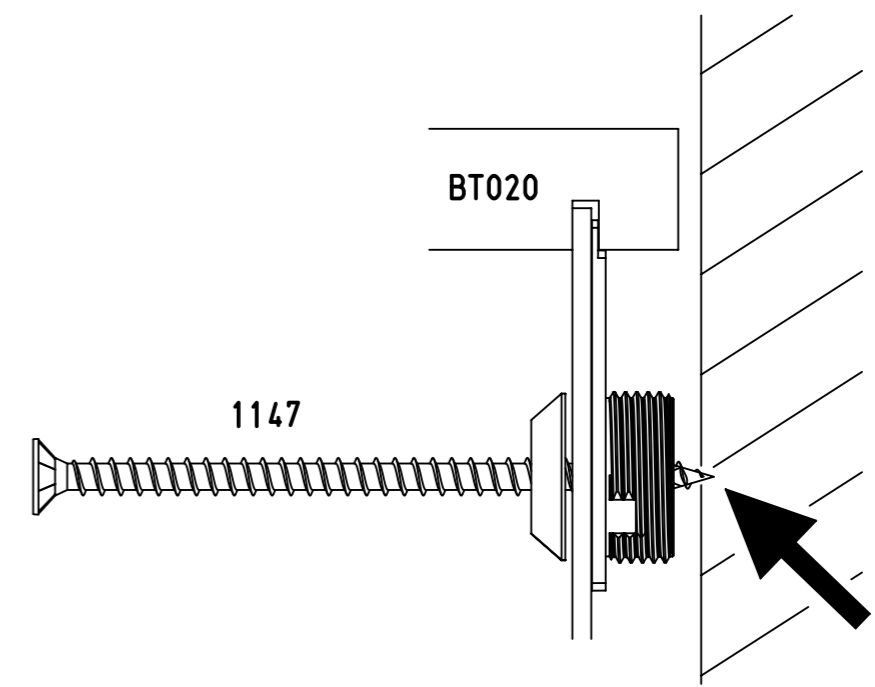
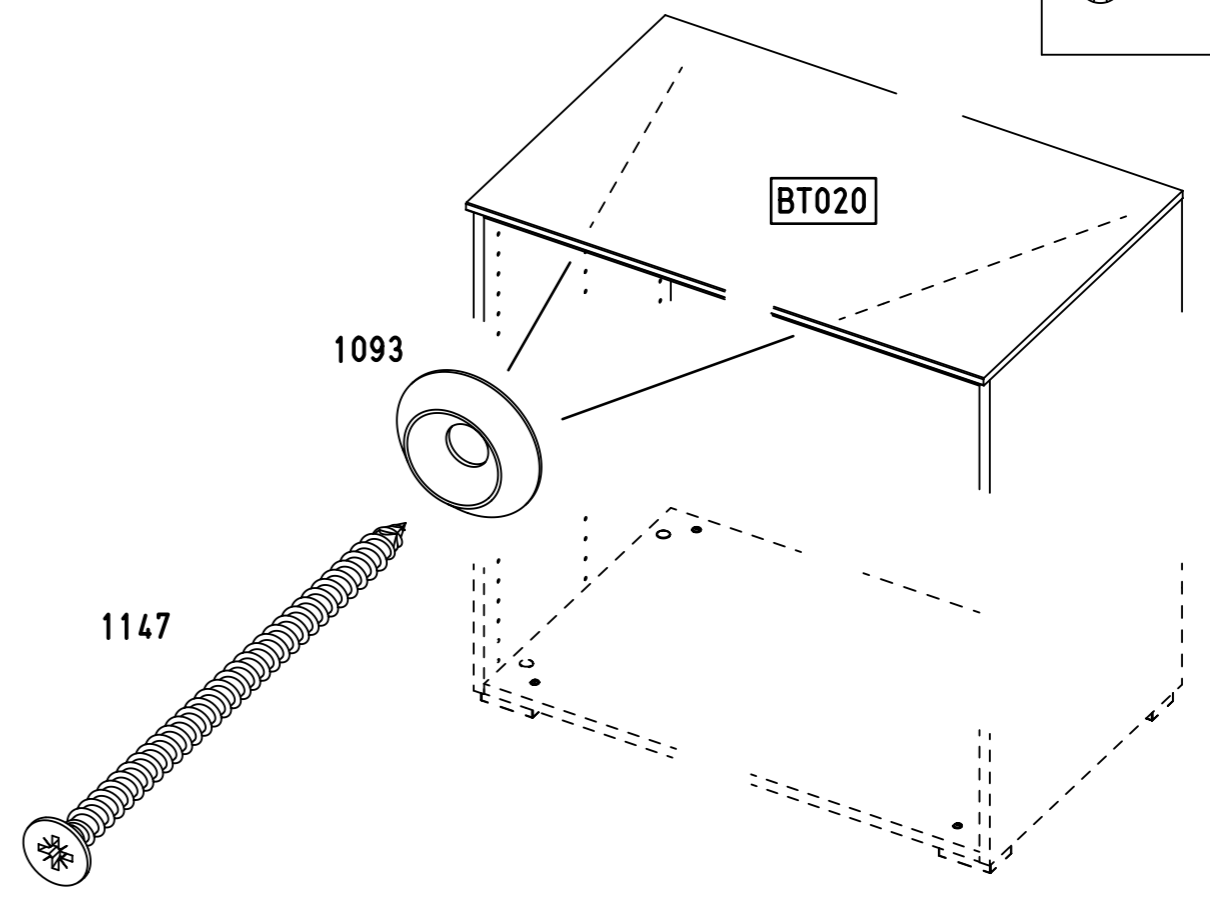
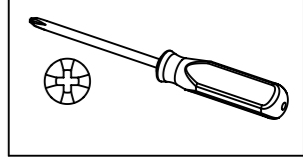


20/7x5

2x 1147

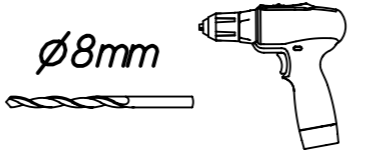


5x90

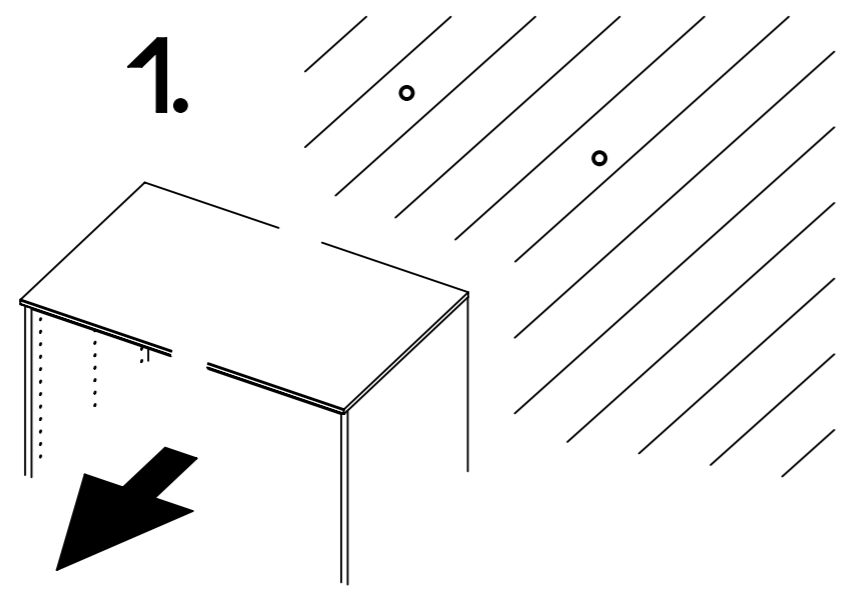


M2532

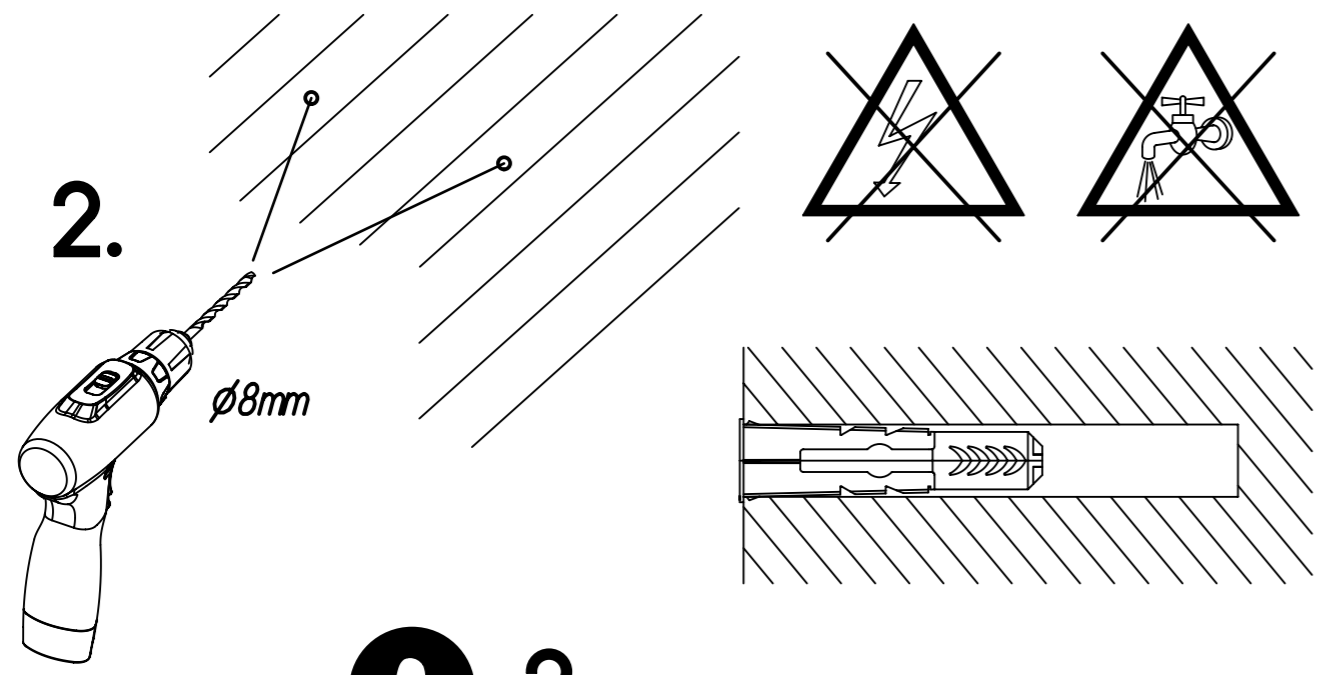
26



1.

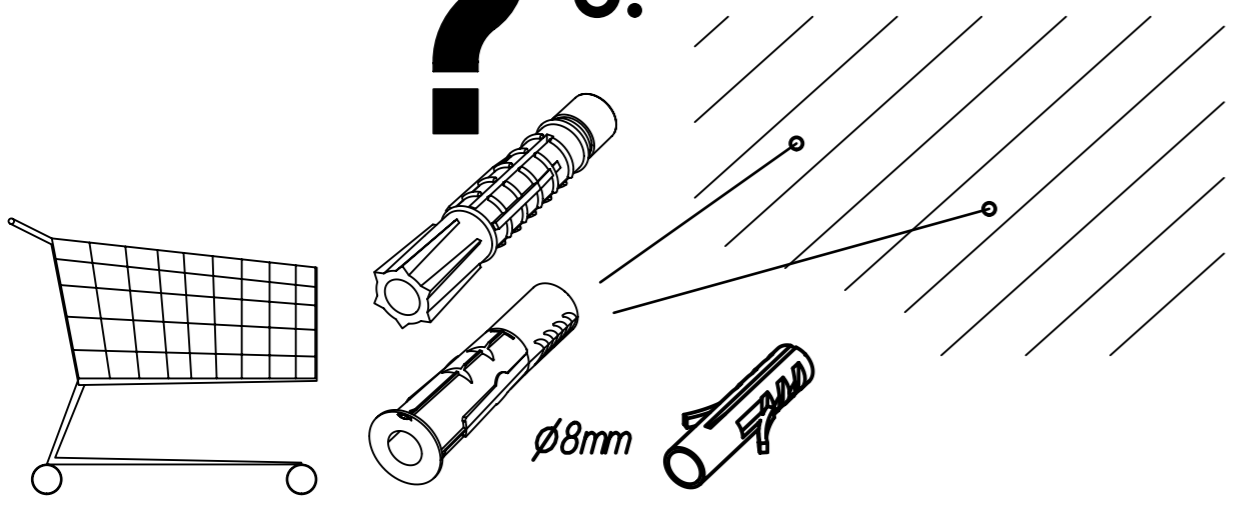


2.

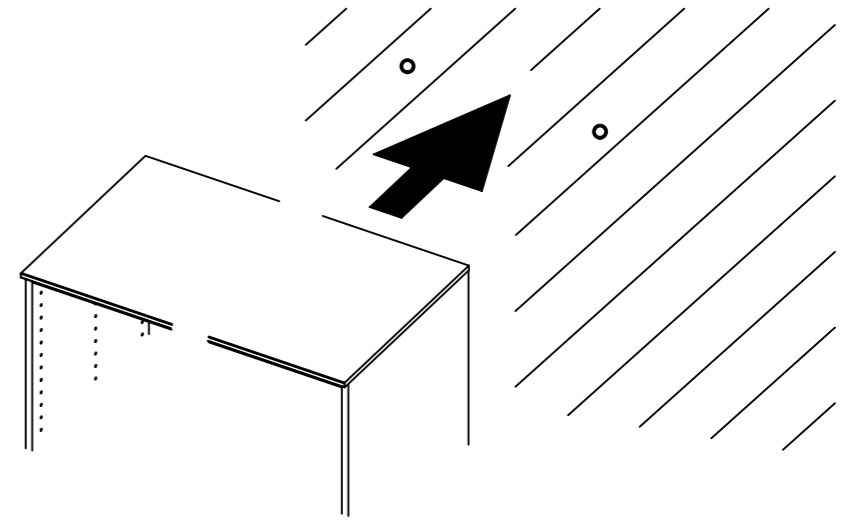
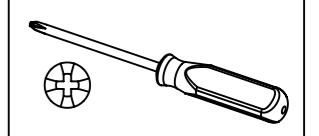


?

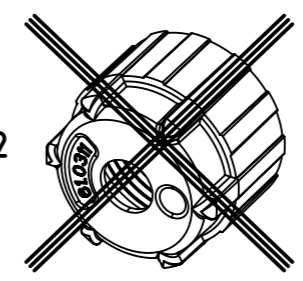
3.



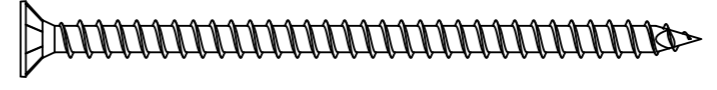
27



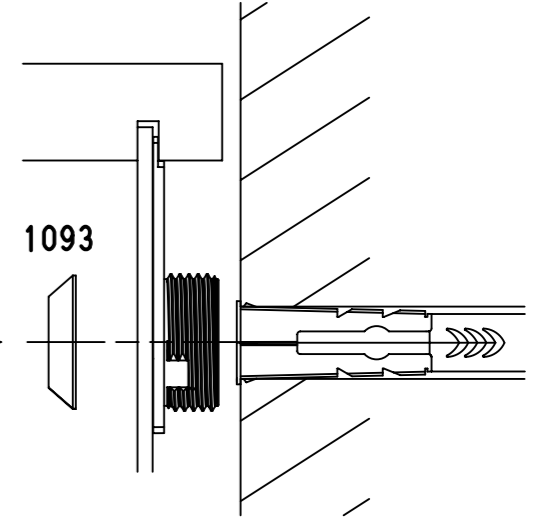
1092



1147



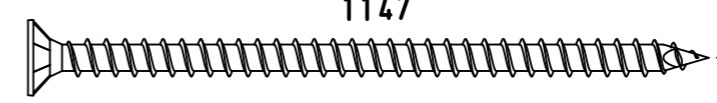
1093



10-15mm

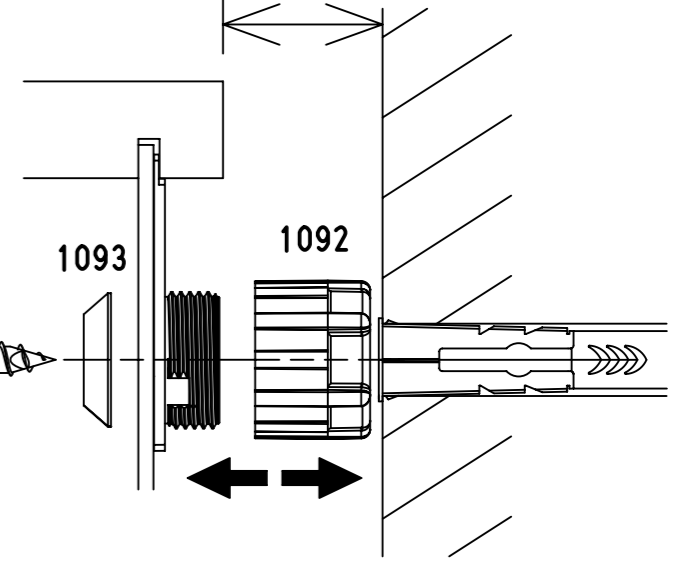


1147



1093

1092



28

12x 568



M4x9

