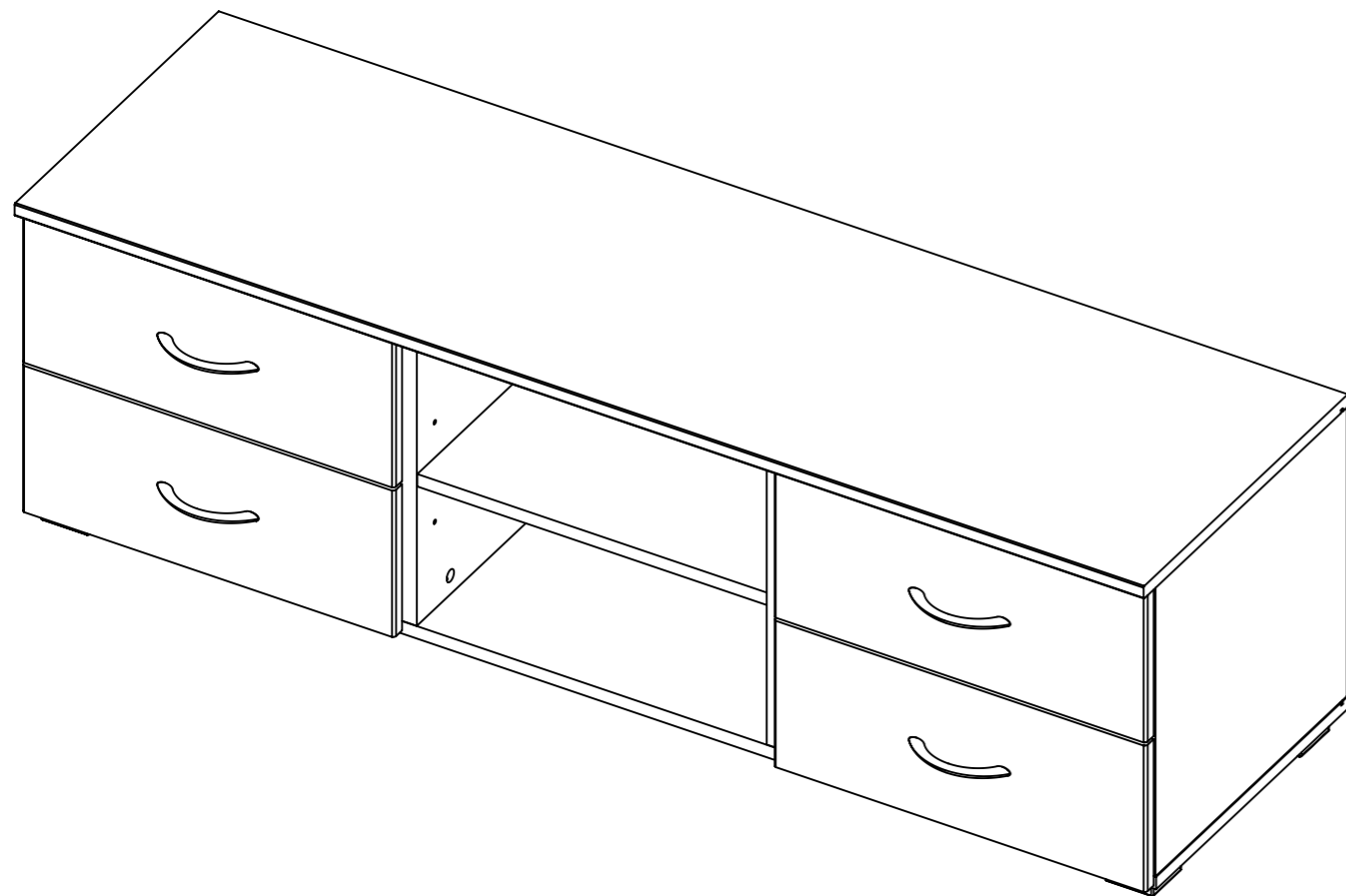
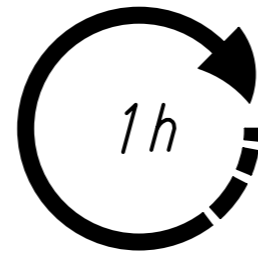
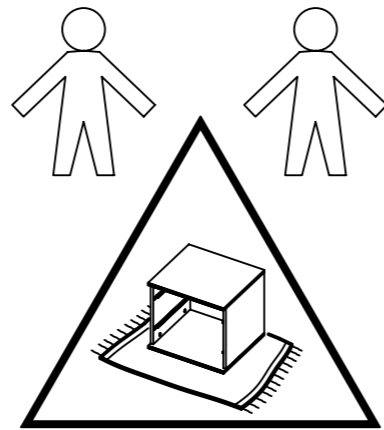
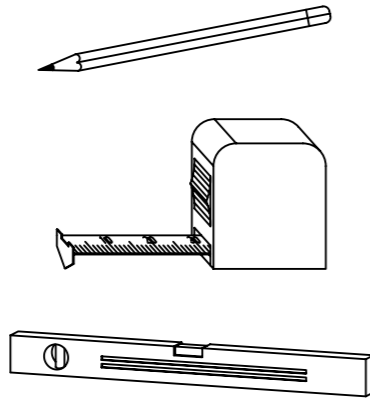
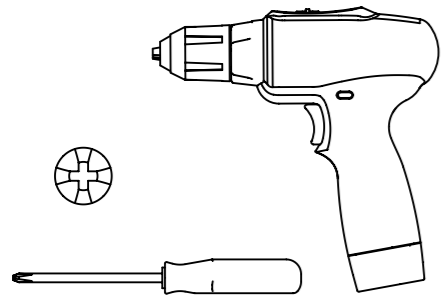


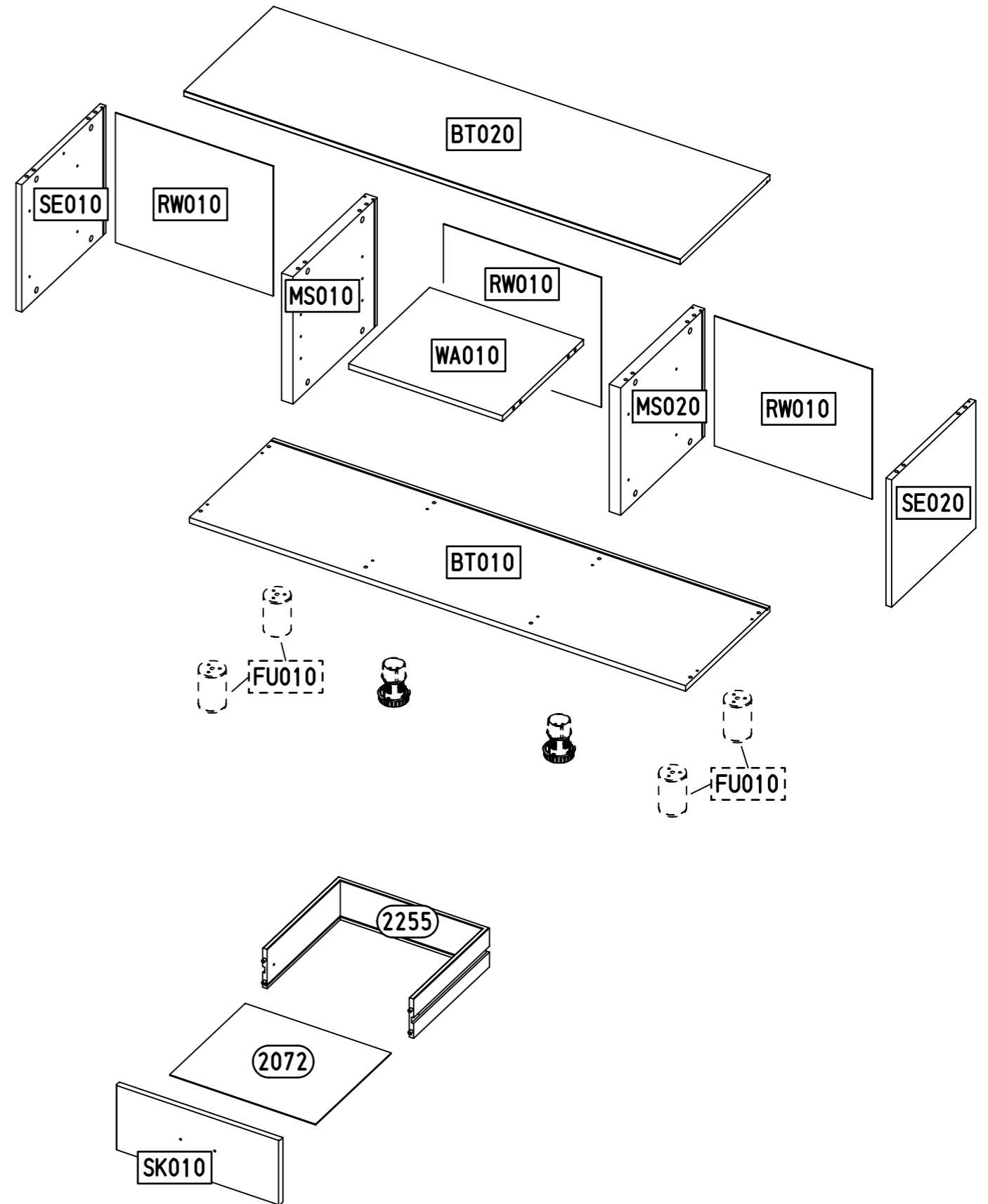
1.

M2463_02

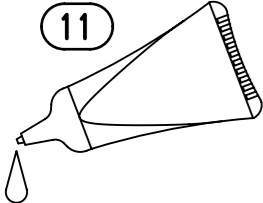
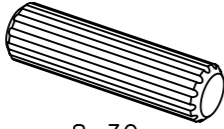
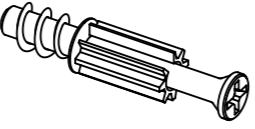

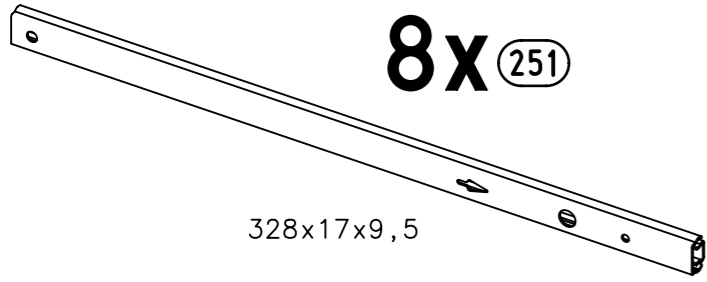


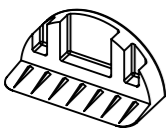
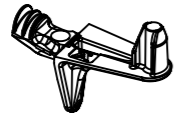
rauch

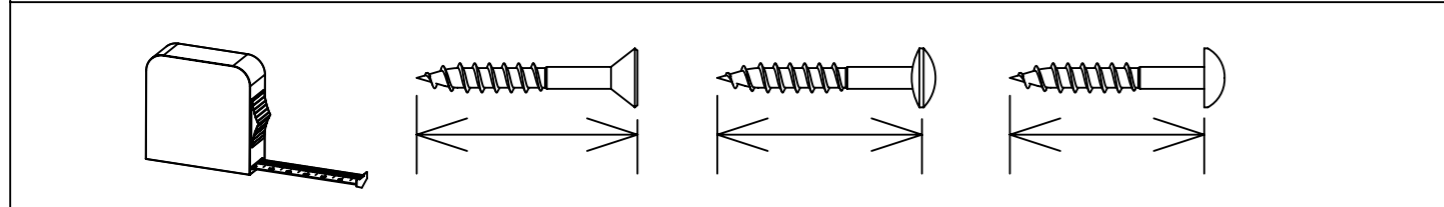


2.



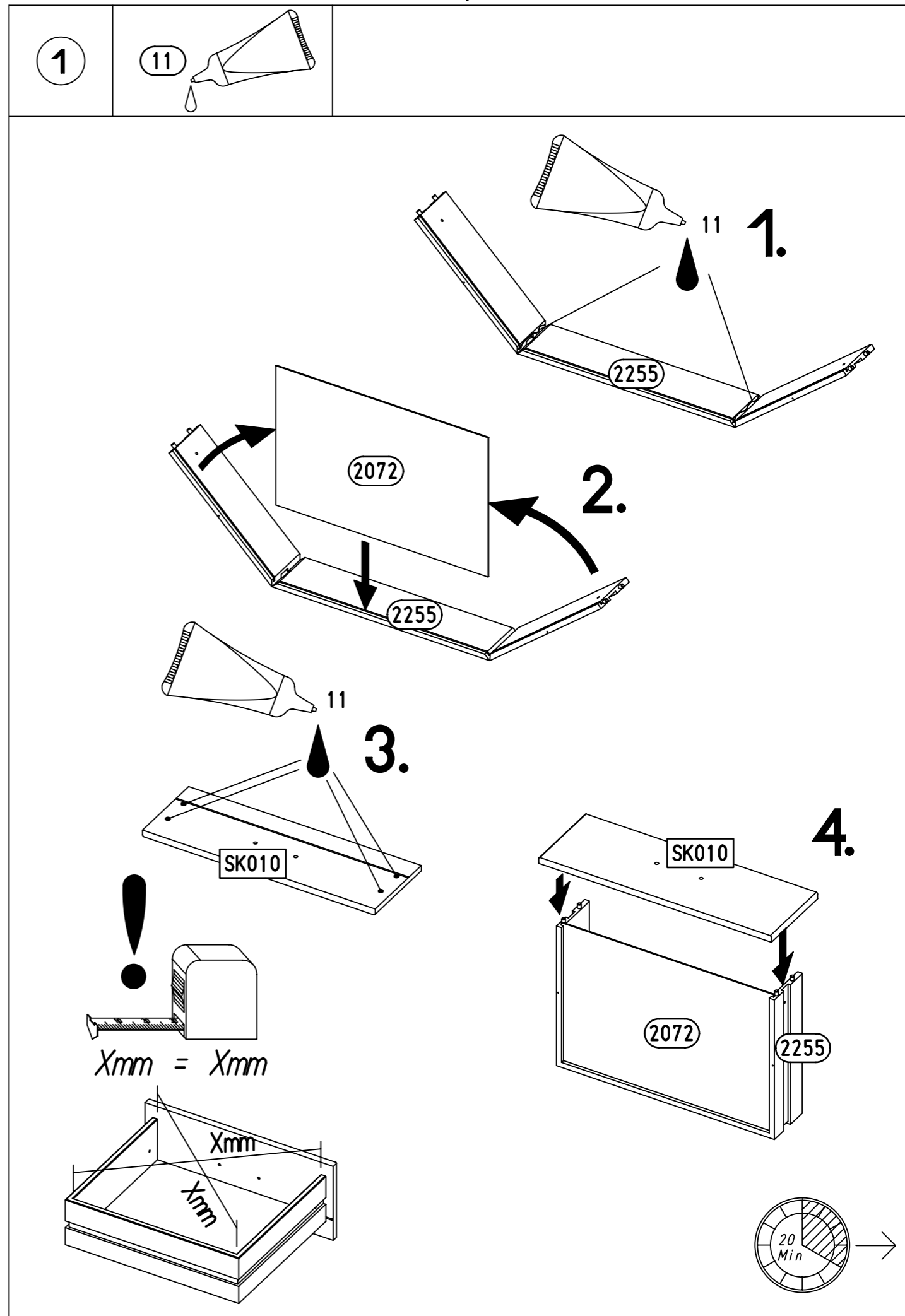
3.

 <p>11</p>	<p>16x 18</p>  <p>8x30</p>	<p>16x 183</p>  <p>23/10x7,5</p>	<p>16x 227</p>  <p>6x10,5</p>
<p>8x 251</p>  <p>328x17x9,5</p>		<p>16x 349</p> 	<p>8x 568</p>  <p>M4x9</p>
<p>8x 1090</p> 	<p>4x 1105</p> 		



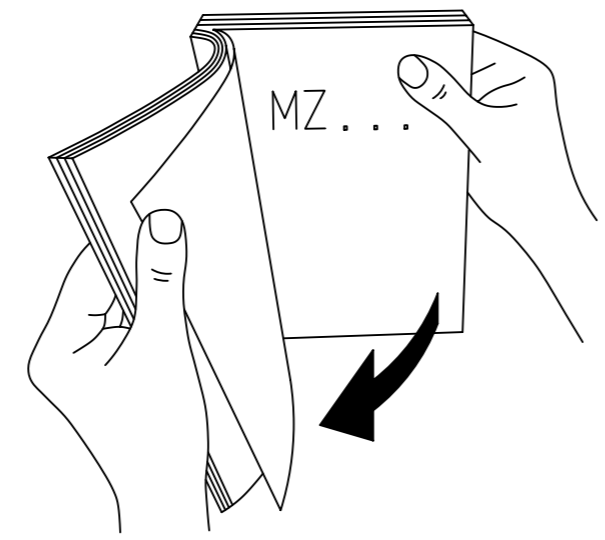
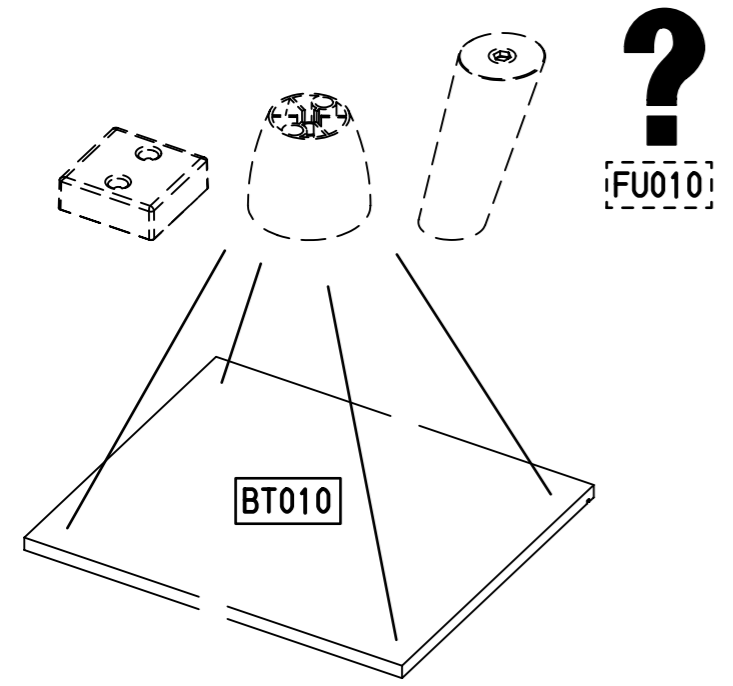
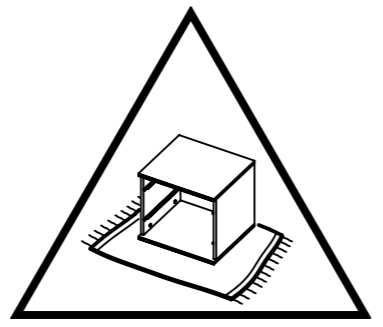
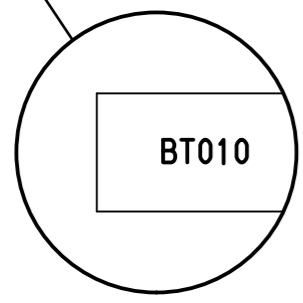
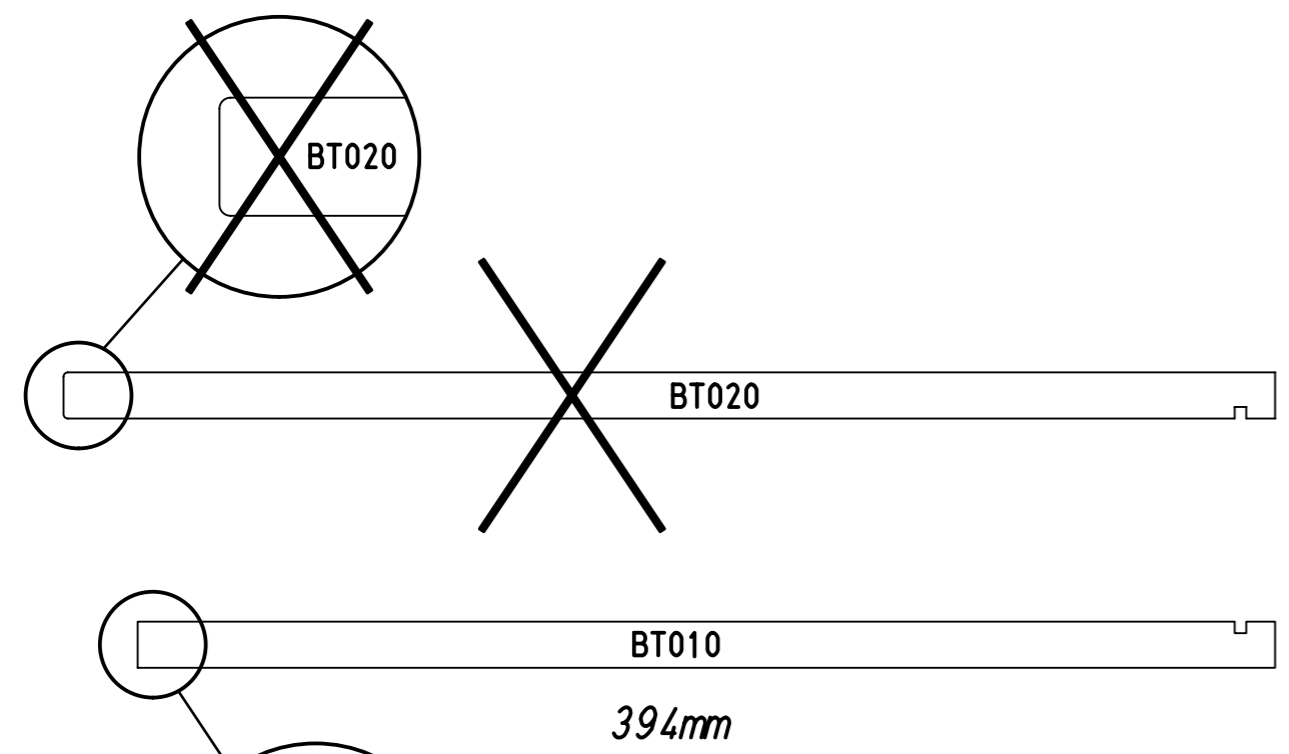
M2463

4.



M2463

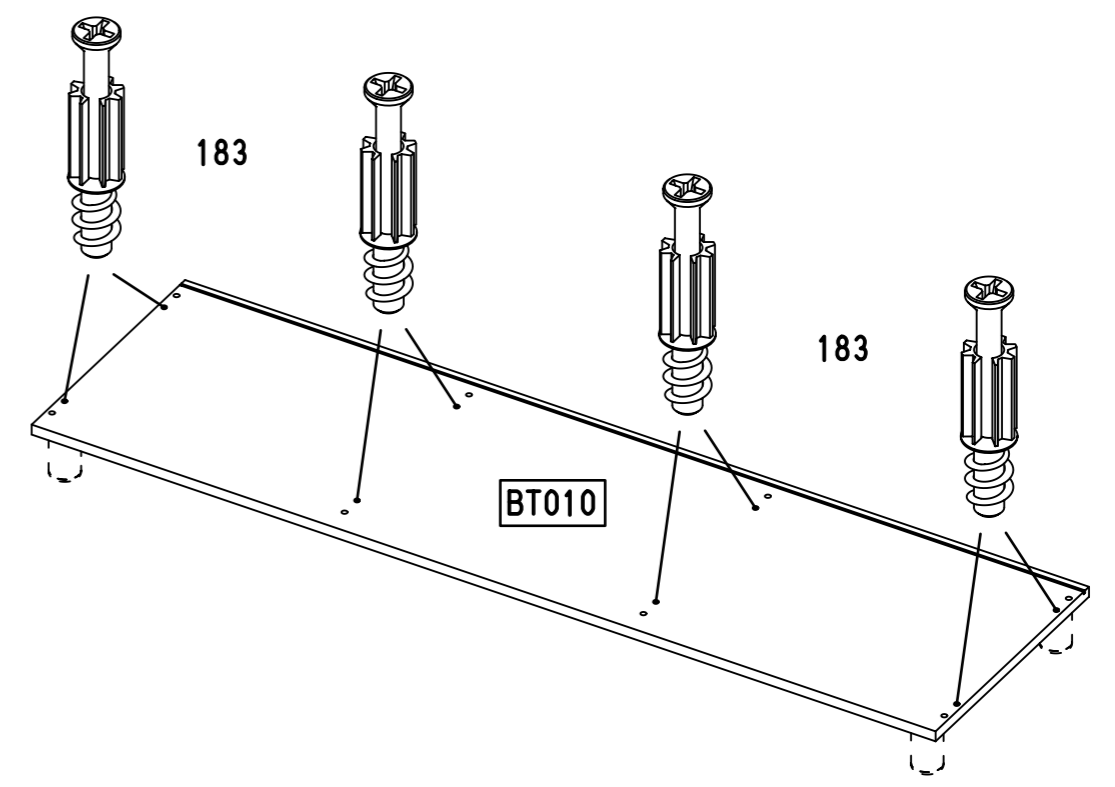
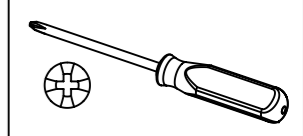
2



3

8x 183

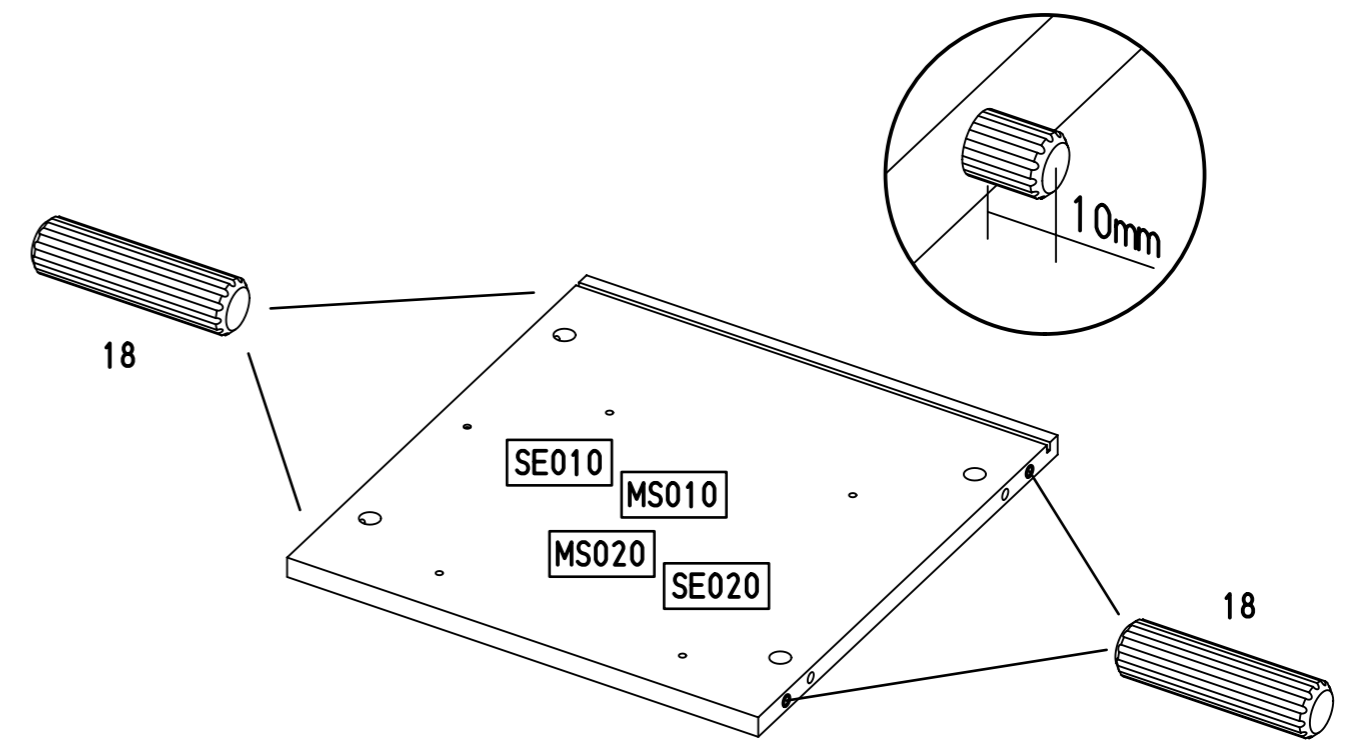
23/10x7,5



4

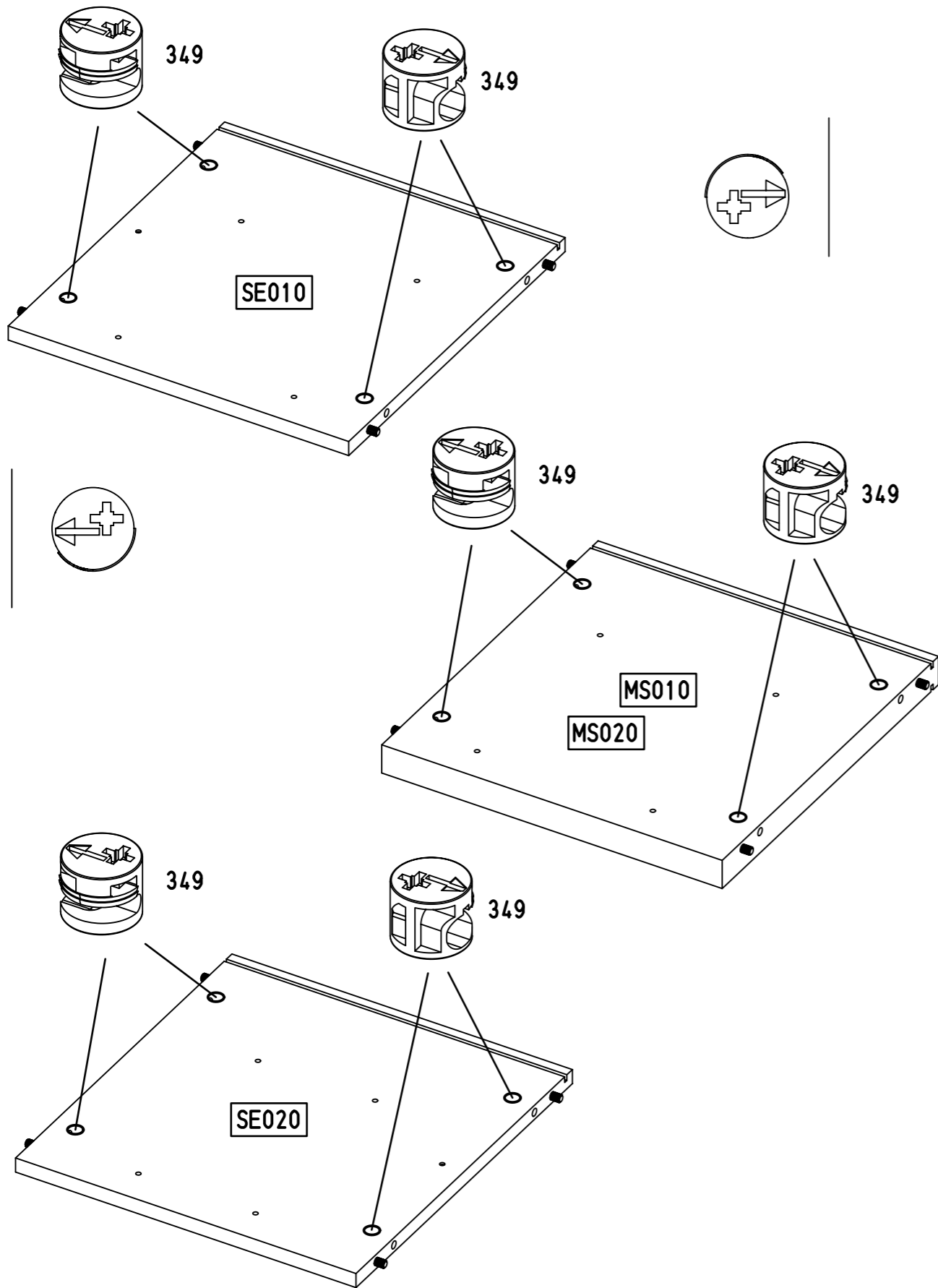
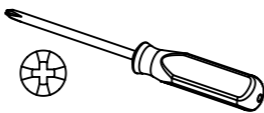
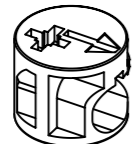
16x 18

8x30



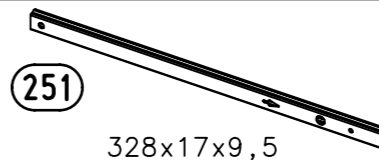
5

16x 349



6

4x 251

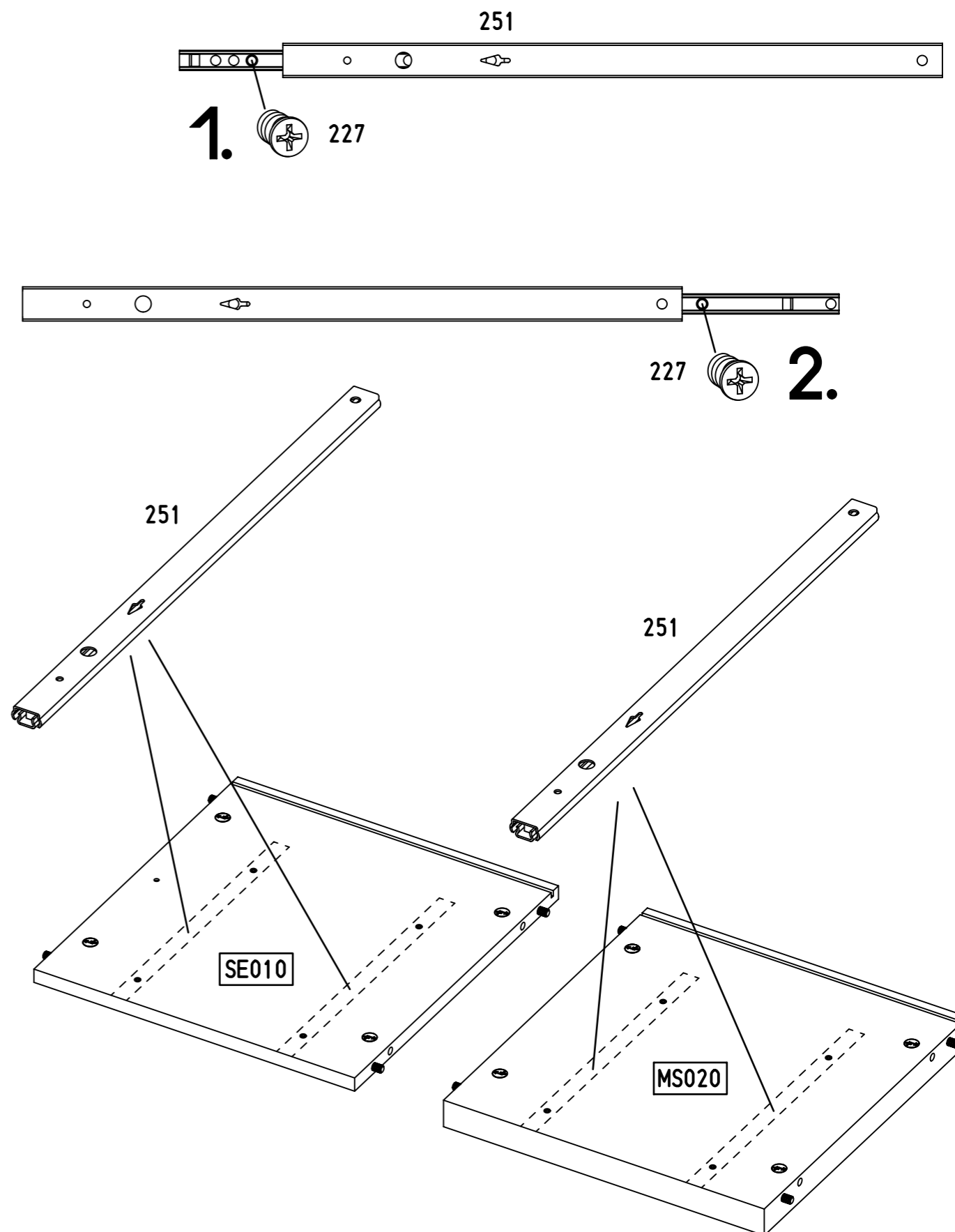
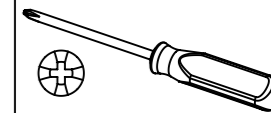


328x17x9,5

8x 227



6x10,5

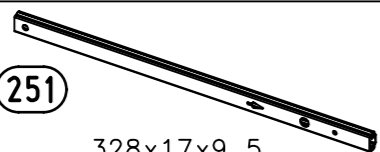


7

4x

251

328x17x9,5

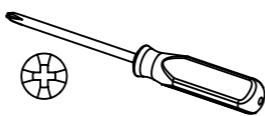


8x

227



6x10,5

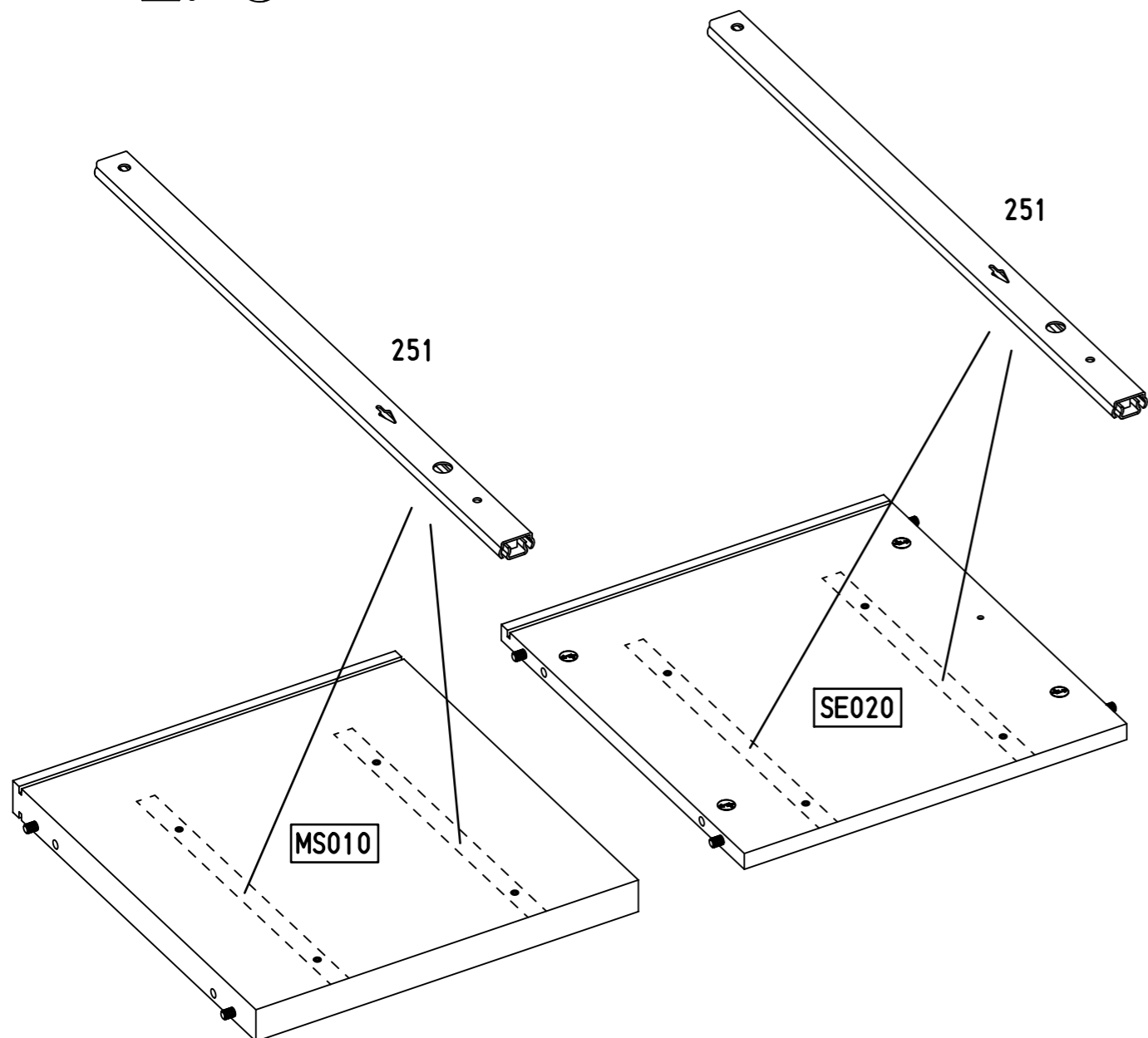


251

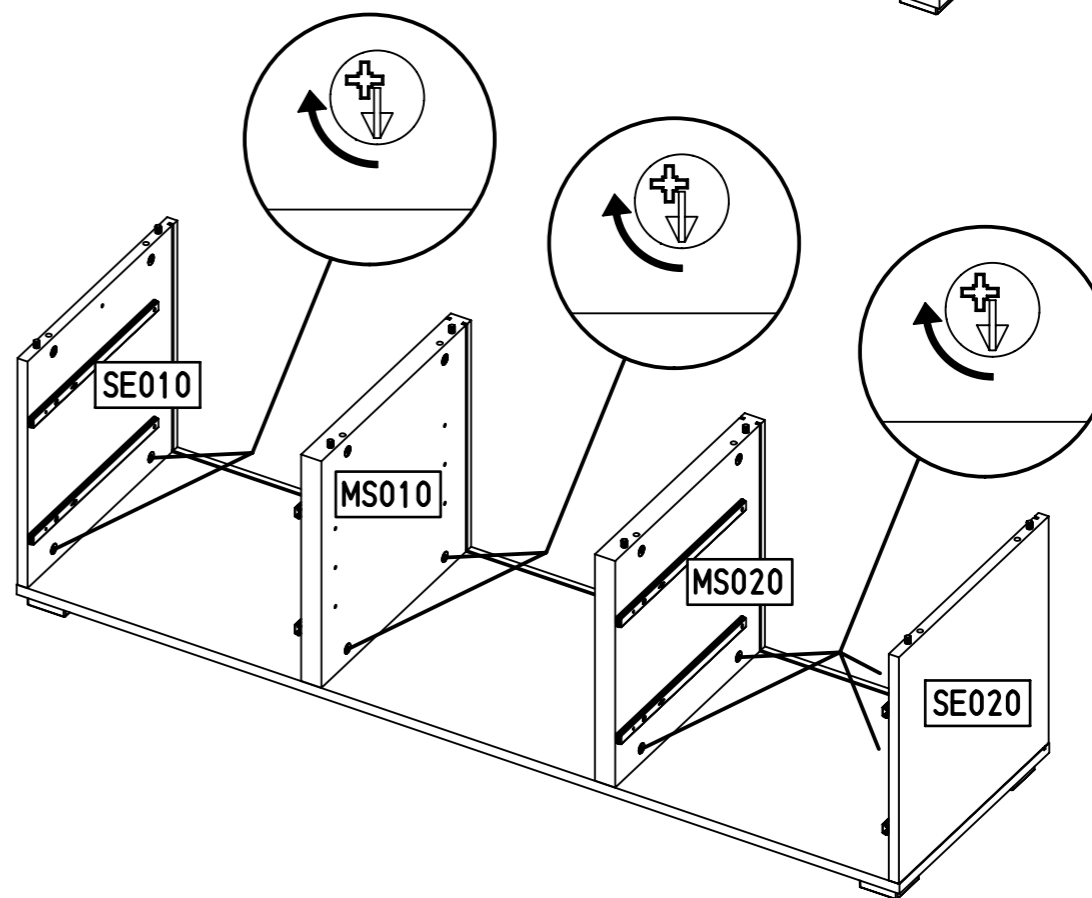
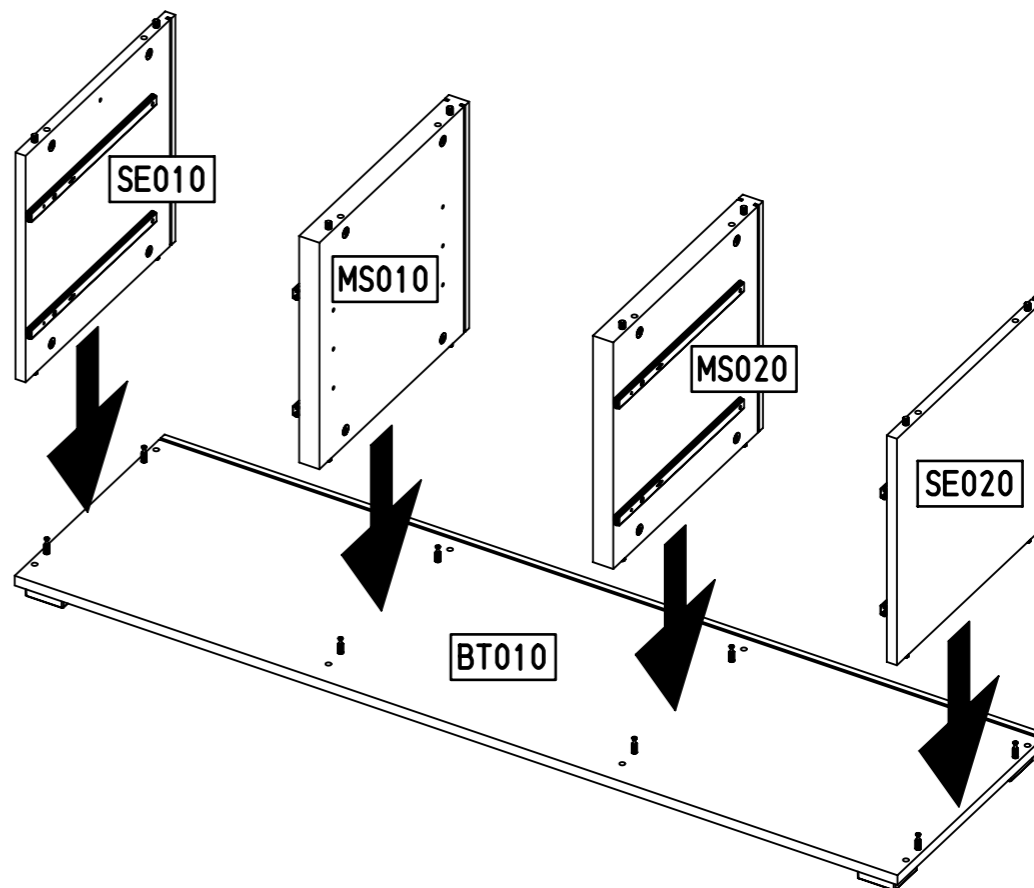
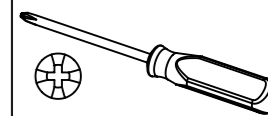


227 1.

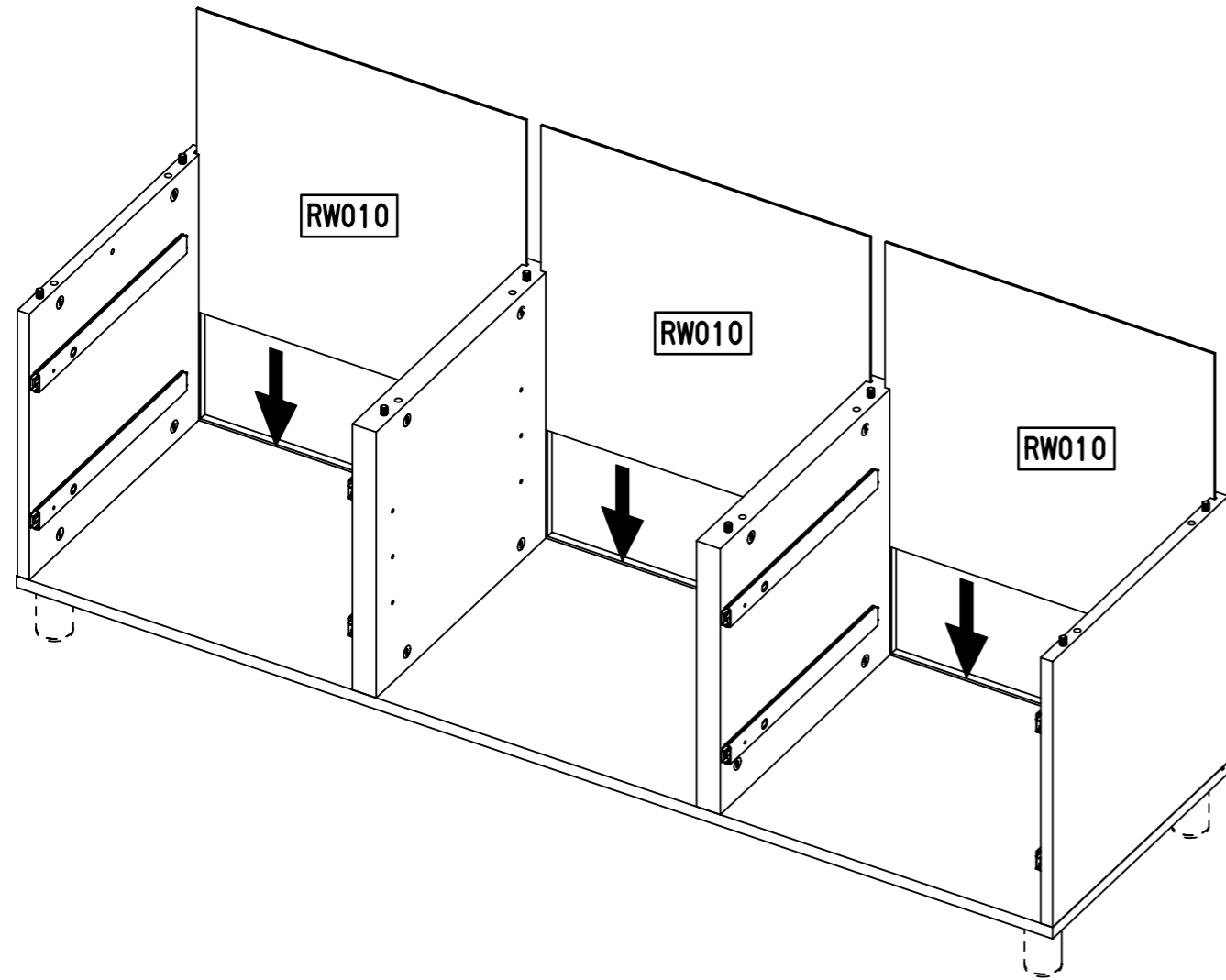
2.



8

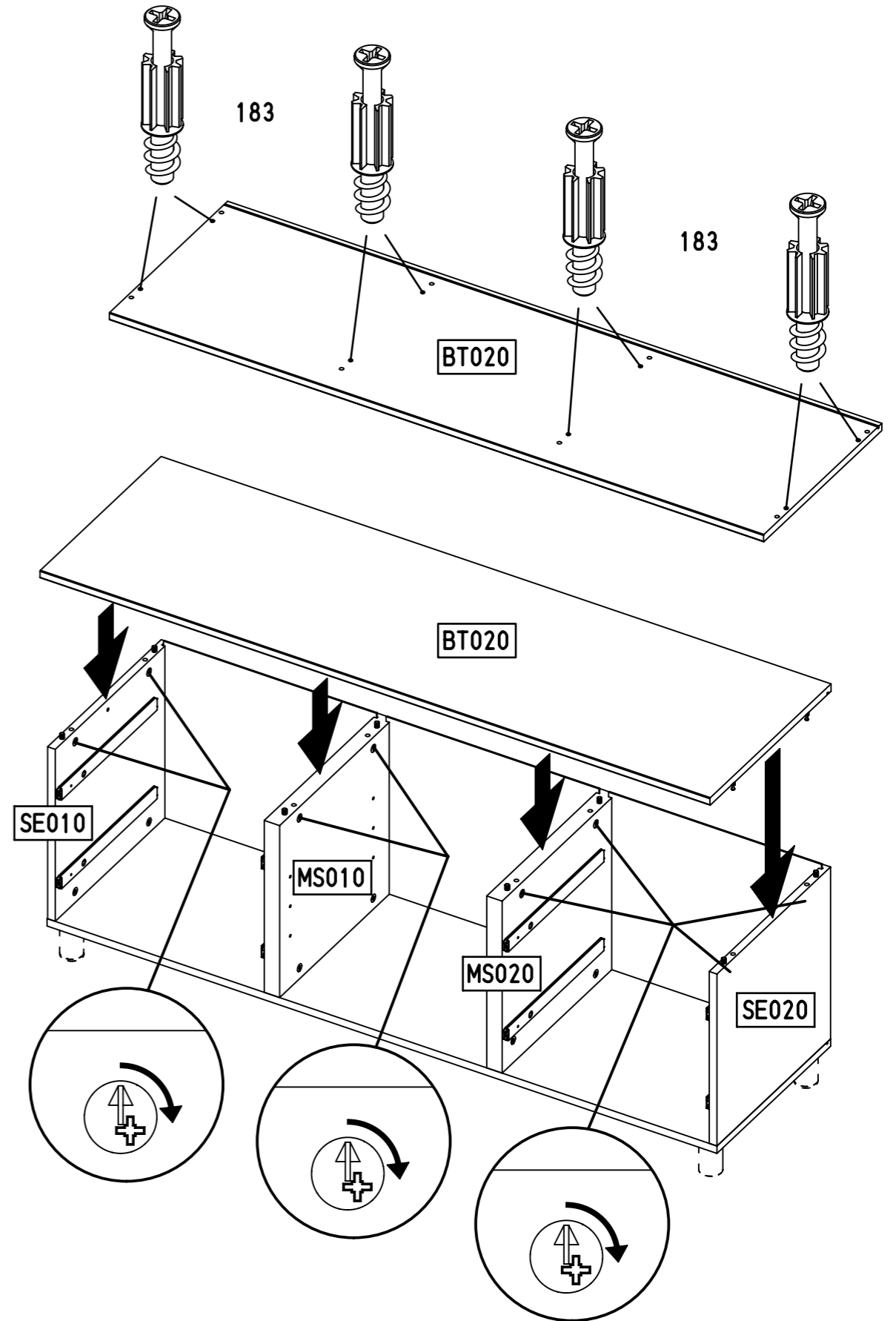
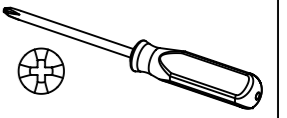
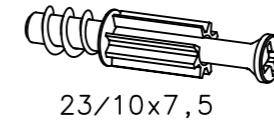


9



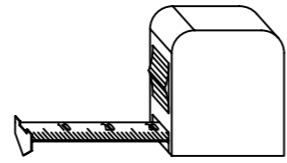
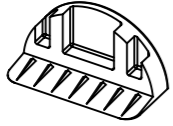
10

8x 183

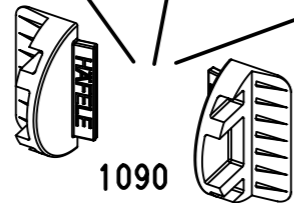
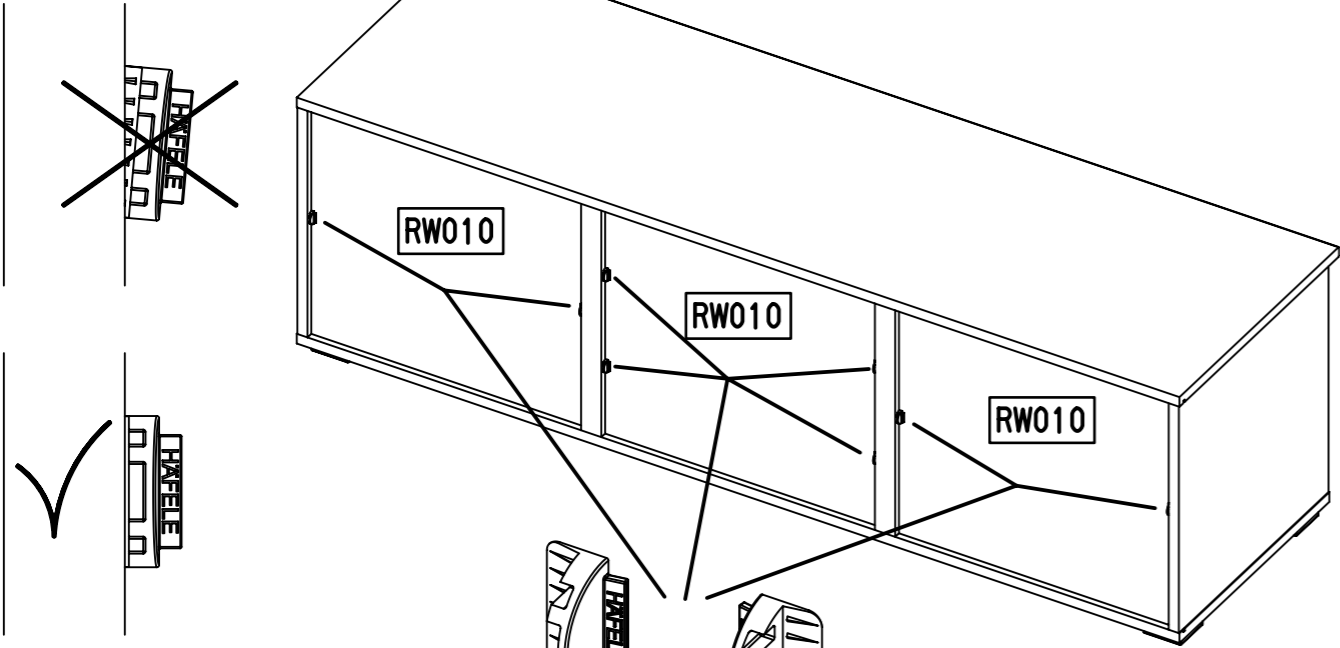
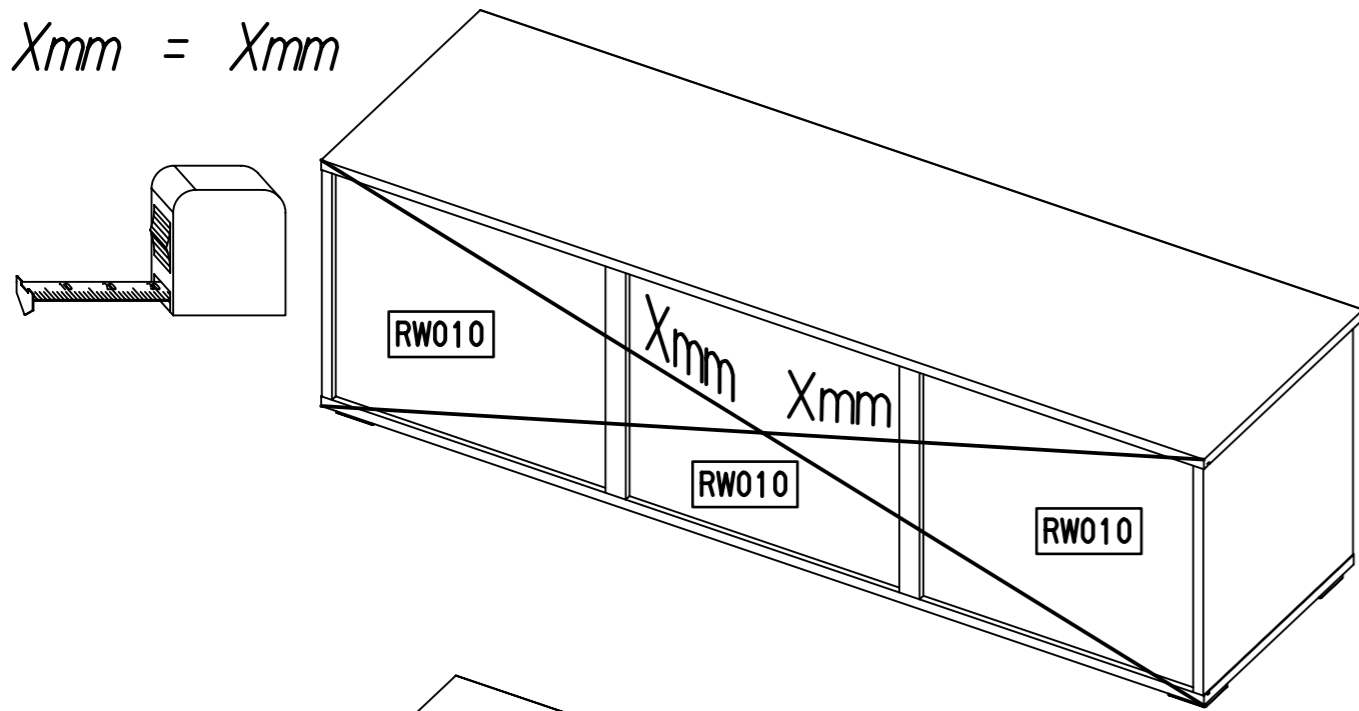


11

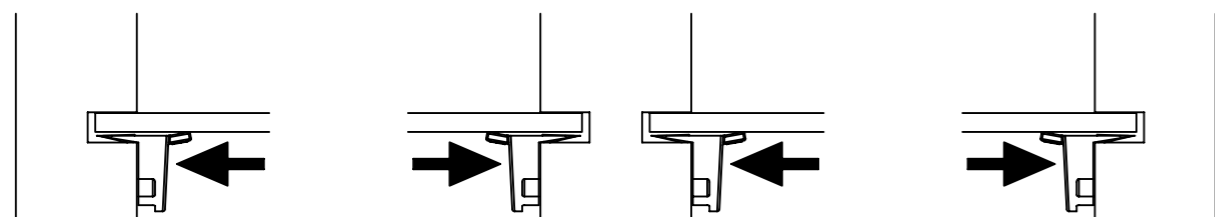
8x 1090



Xmm = Xmm

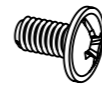


1090

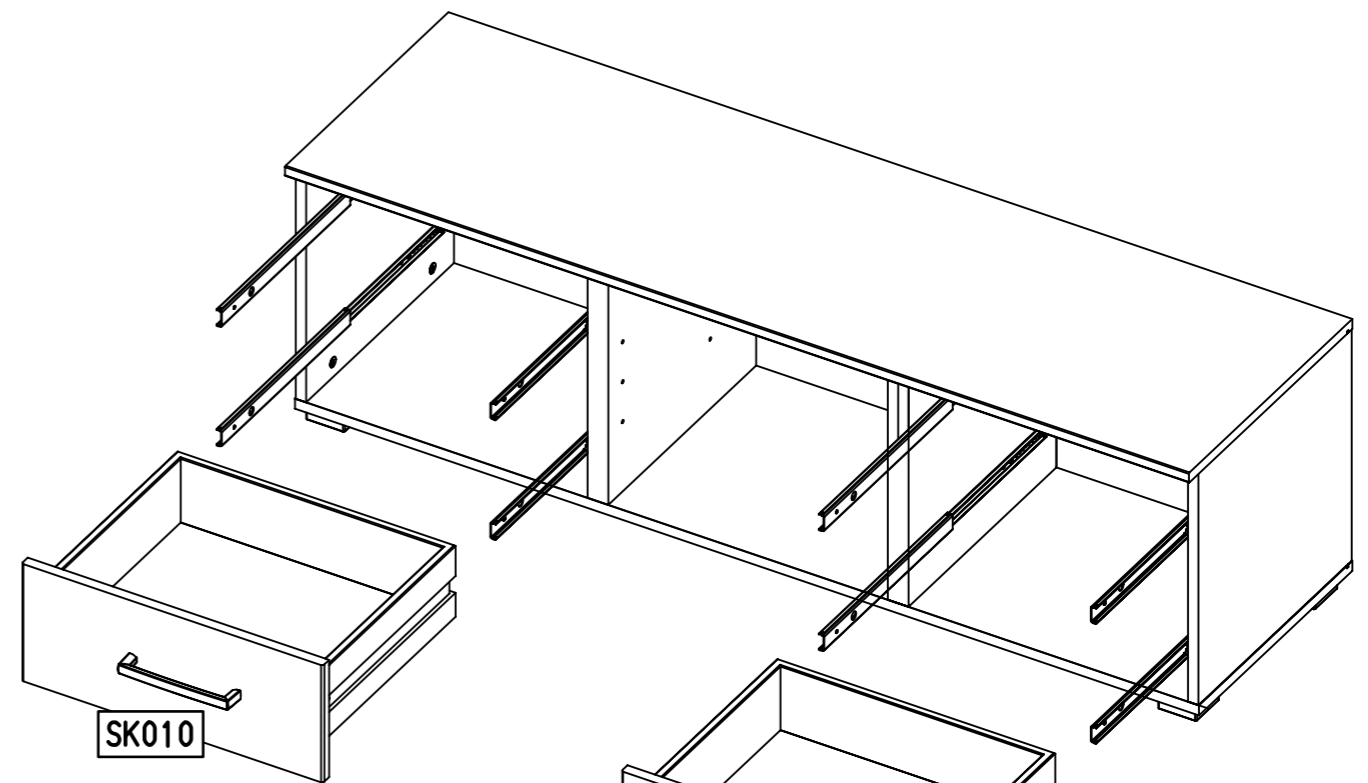
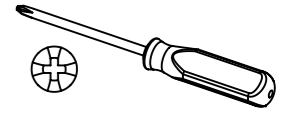


12

8x 568

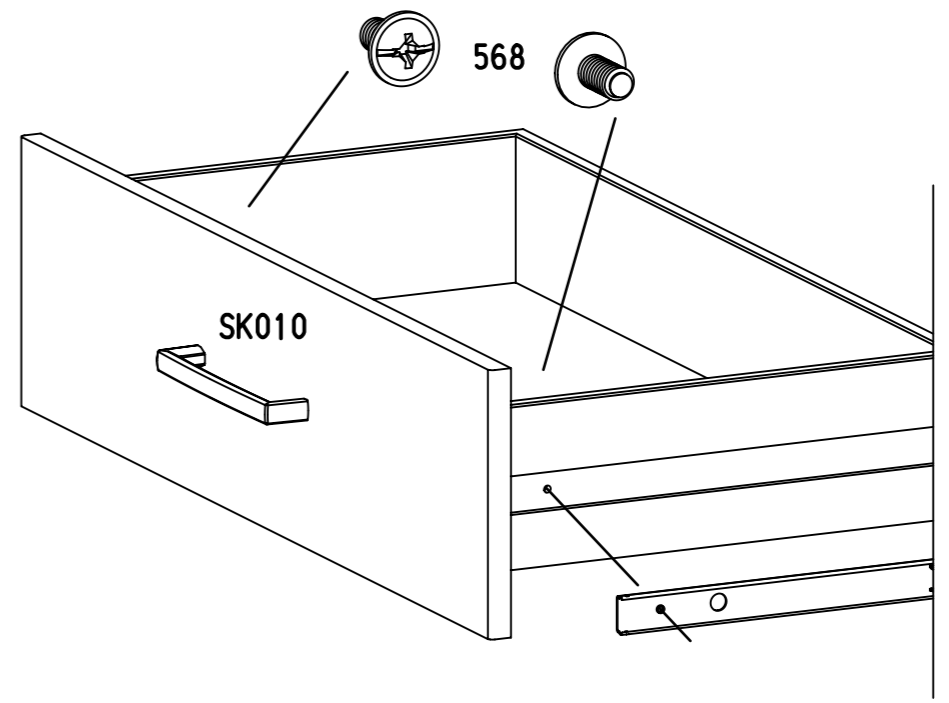


M4x9



SK010

SK010



568

SK010

13

4x 1105

