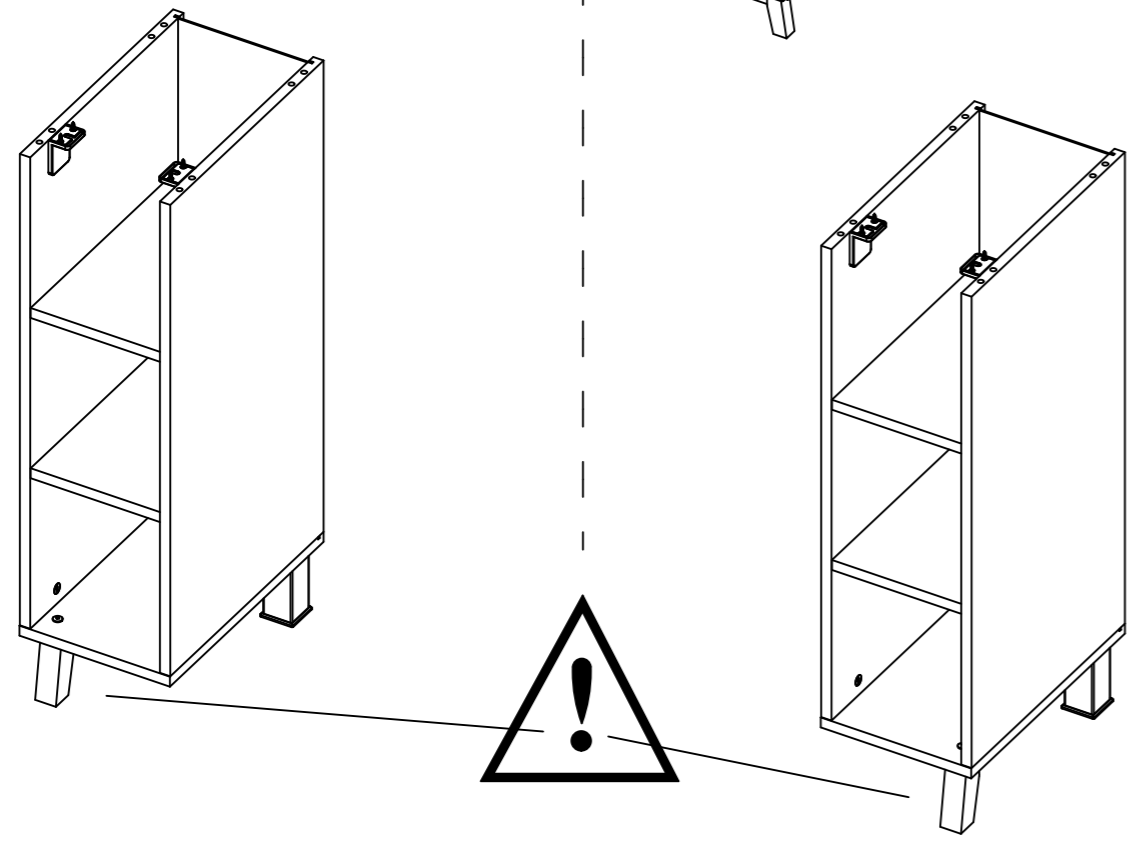
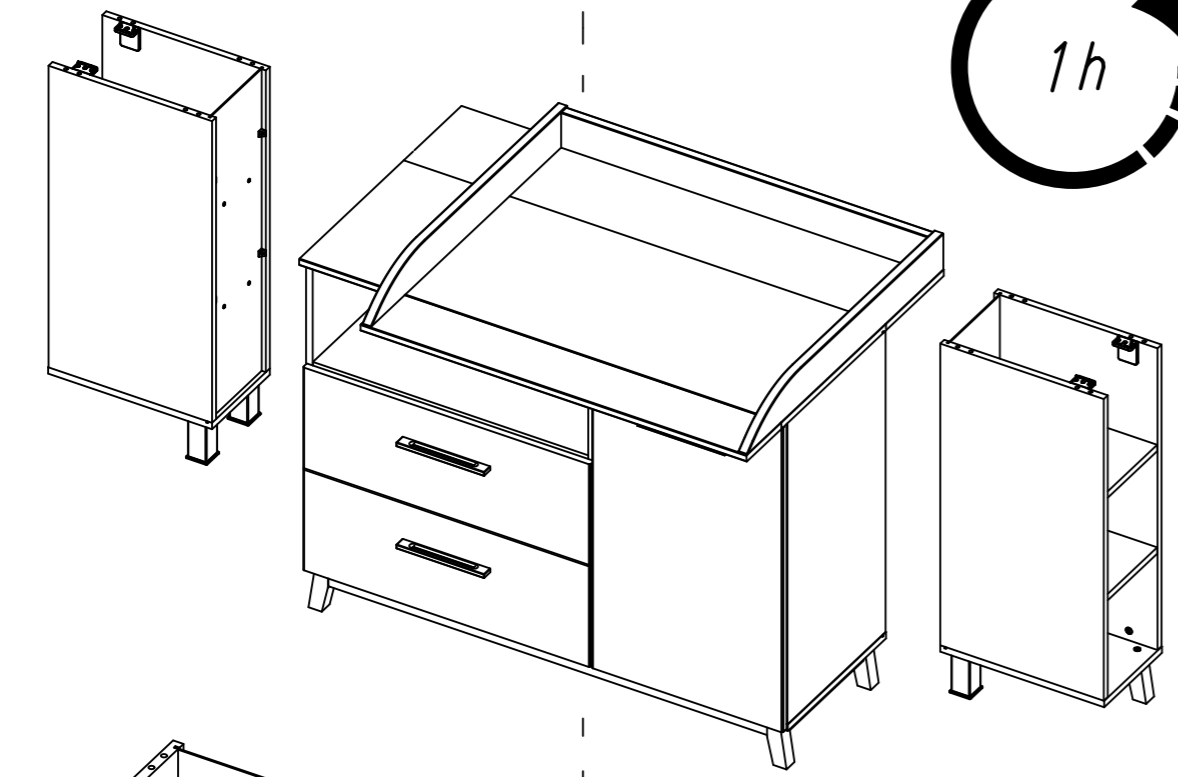
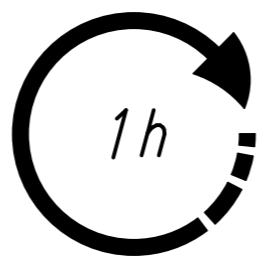
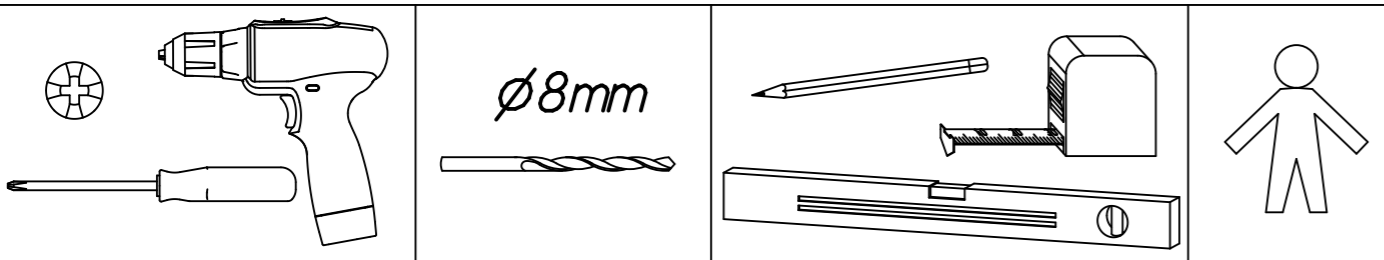
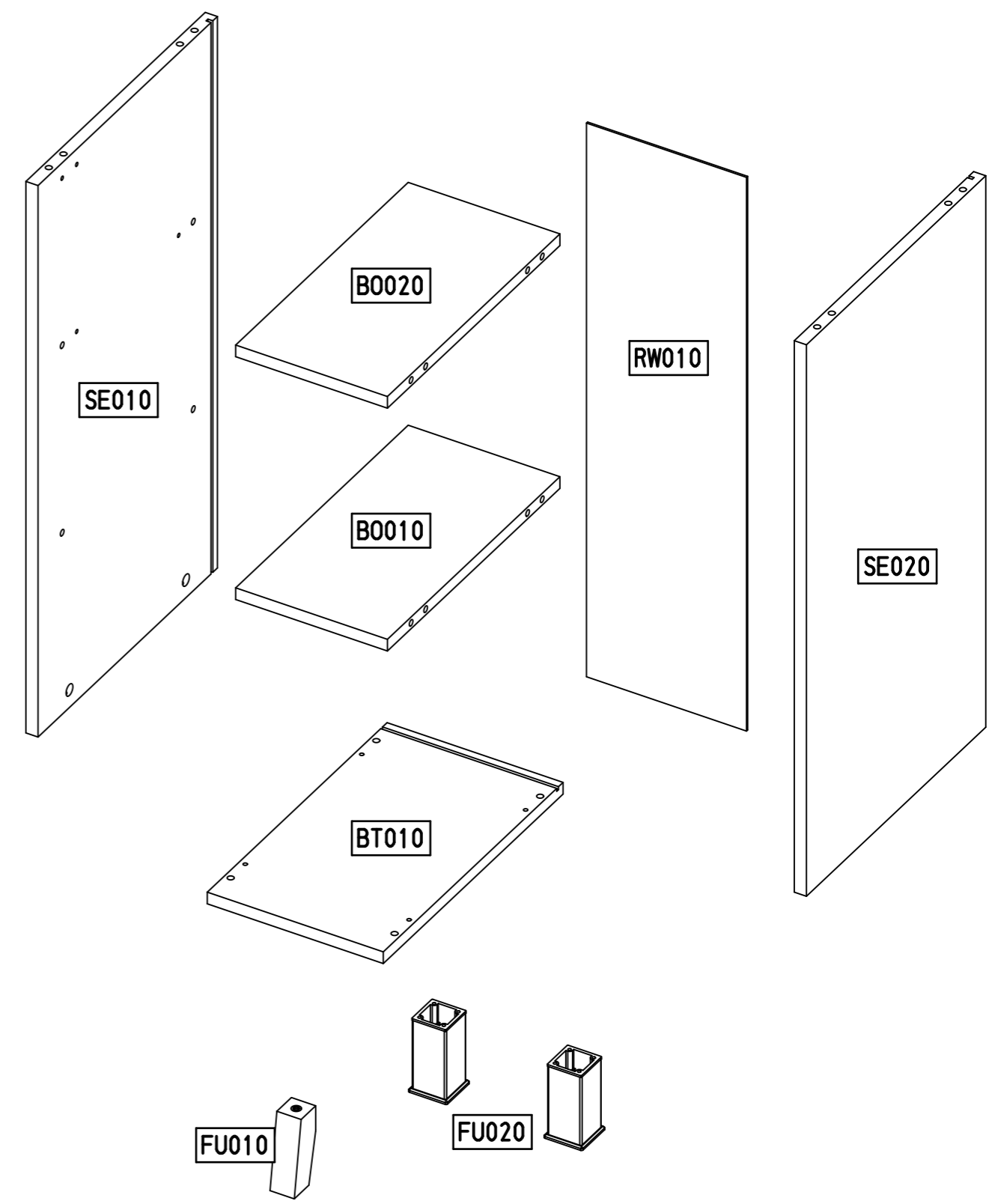


1.

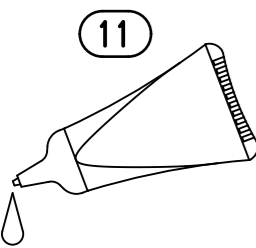
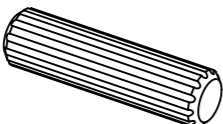
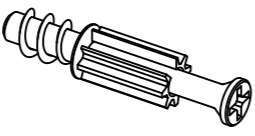
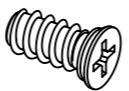
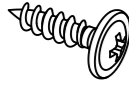
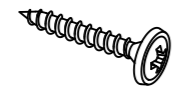
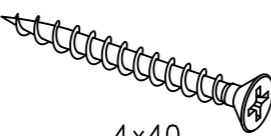


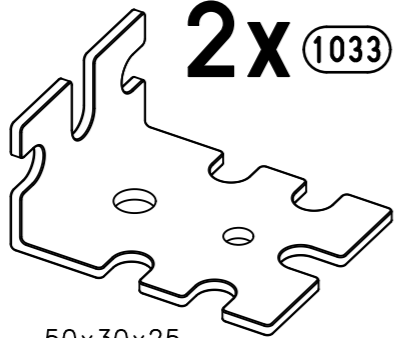
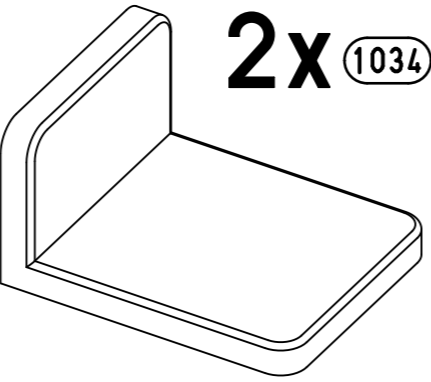
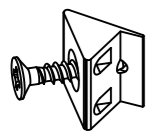
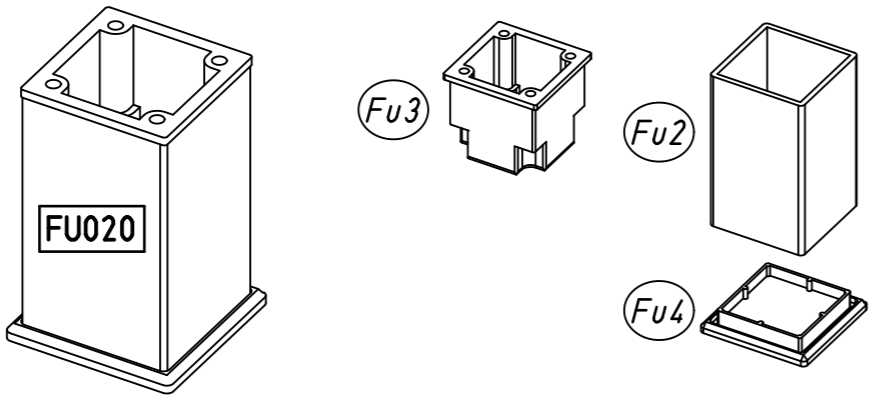
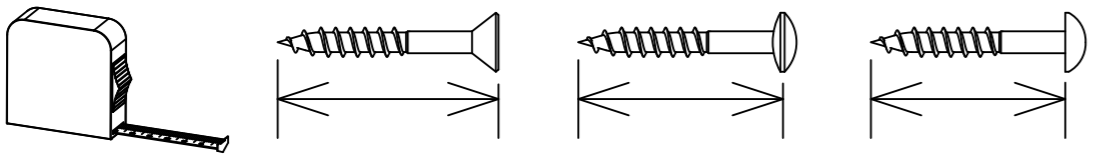
M2444\_03



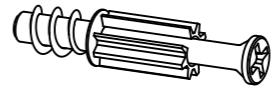
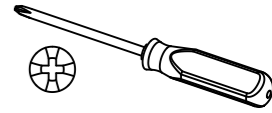
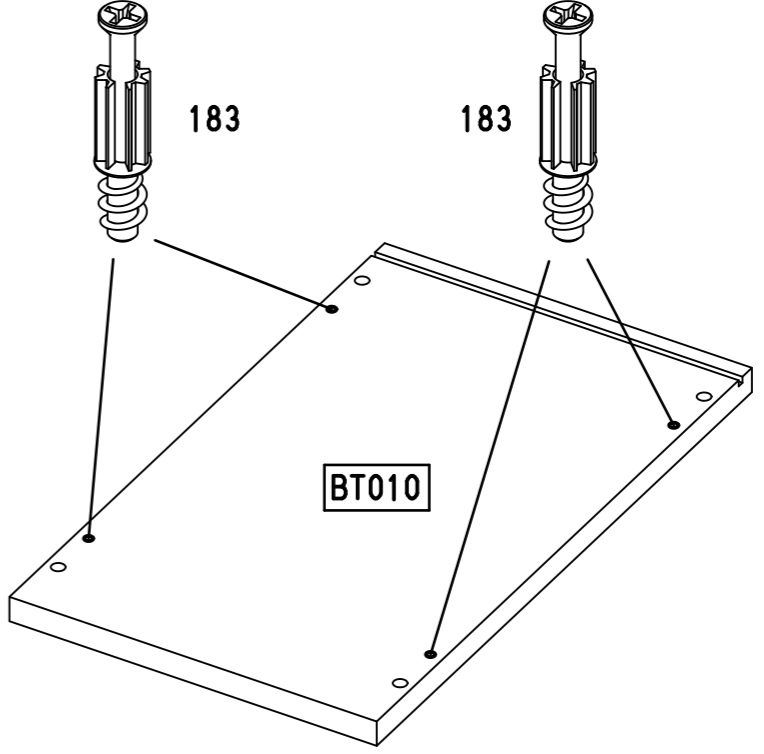
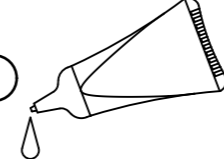
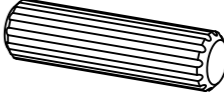
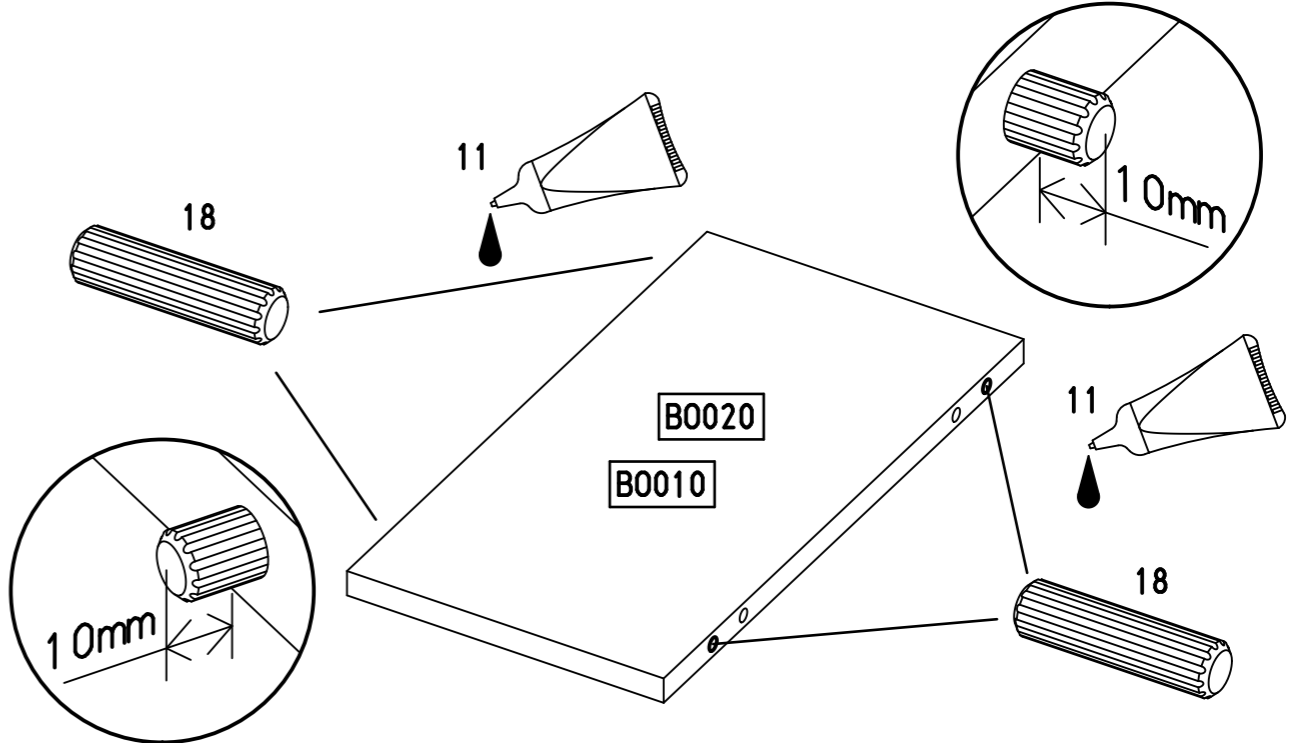
2.



3.

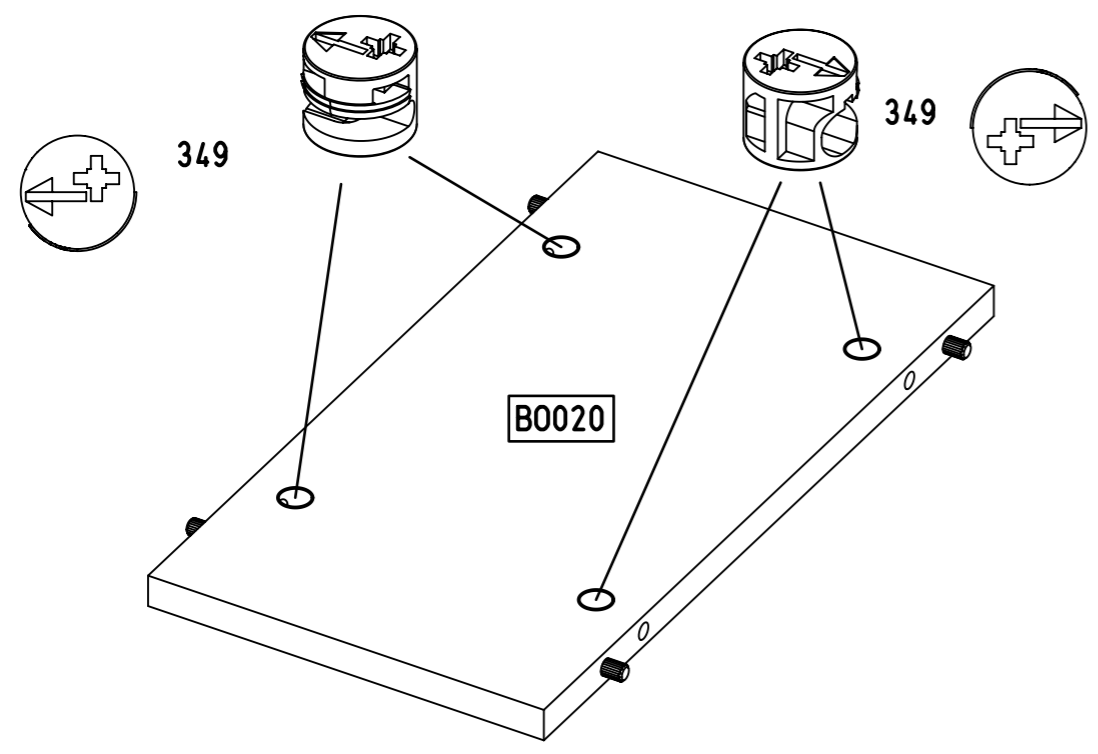
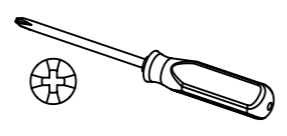
 11	<b>12x</b>  18 8x30	<b>8x</b>  183 23/10x7,5	<b>4x</b>  200 6,3x14
<b>4x</b>  201 4x15	<b>4x</b>  215 3x20	<b>8x</b>  225 4x40	<b>1x</b>  245 M6x40
<b>8x</b>  349	<b>2x</b>  1033 50x30x25	<b>2x</b>  1034	
<b>4x</b>  45	 <p>FU020</p> <p>Fu3</p> <p>Fu2</p> <p>Fu4</p>		
			

4.

<b>1</b>	<b>4x</b>  183 23/10x7,5	
 <p>BT010</p> <p>183</p> <p>183</p>		
<b>2</b>	 11	<b>8x</b>  18 8x30
 <p>B0020</p> <p>B0010</p> <p>11</p> <p>11</p> <p>18</p> <p>18</p> <p>10mm</p> <p>10mm</p>		

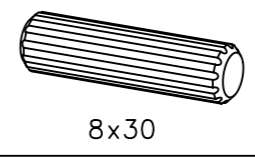
3

4x 349

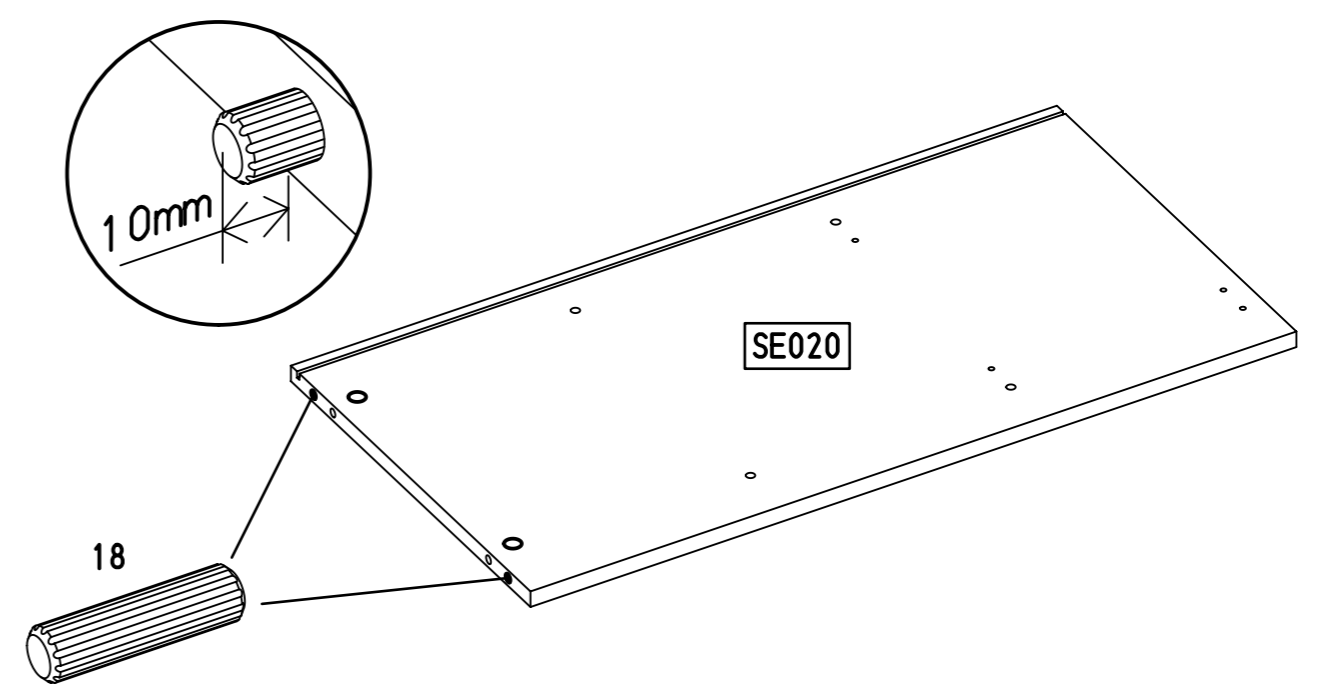


5

2x 18

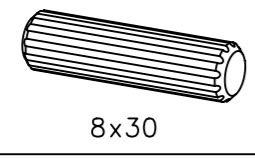


8x30

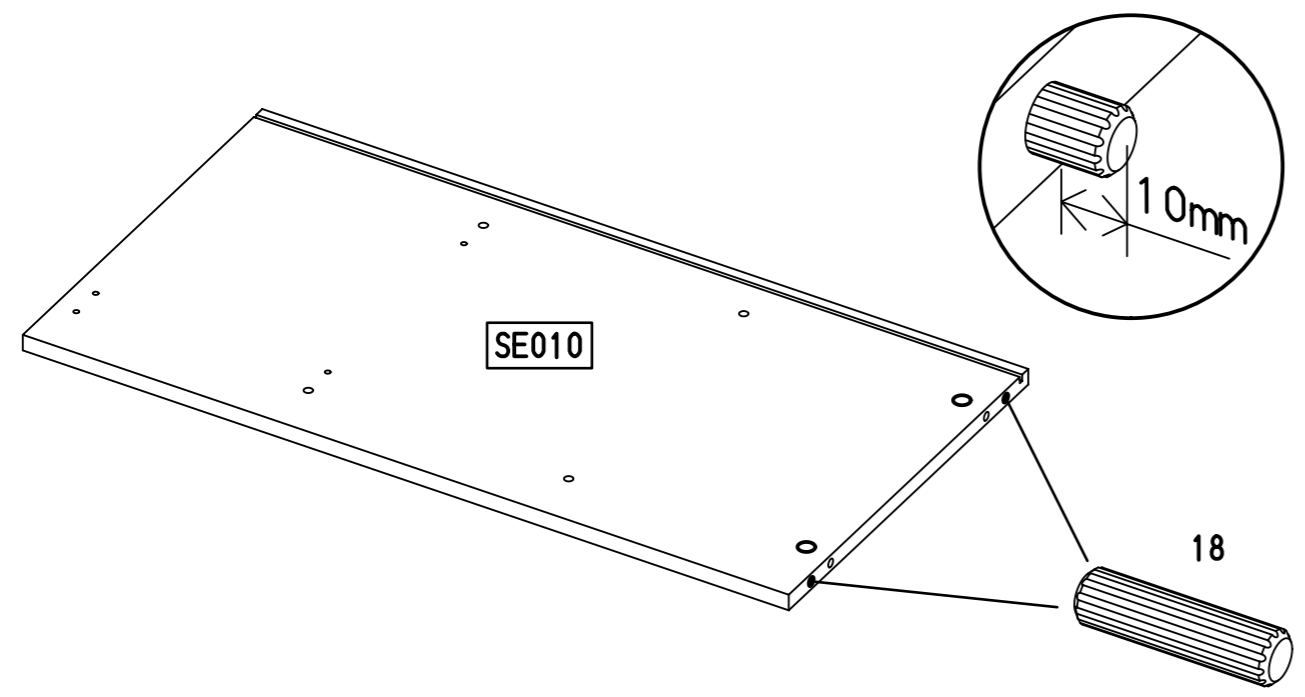


4

2x 18

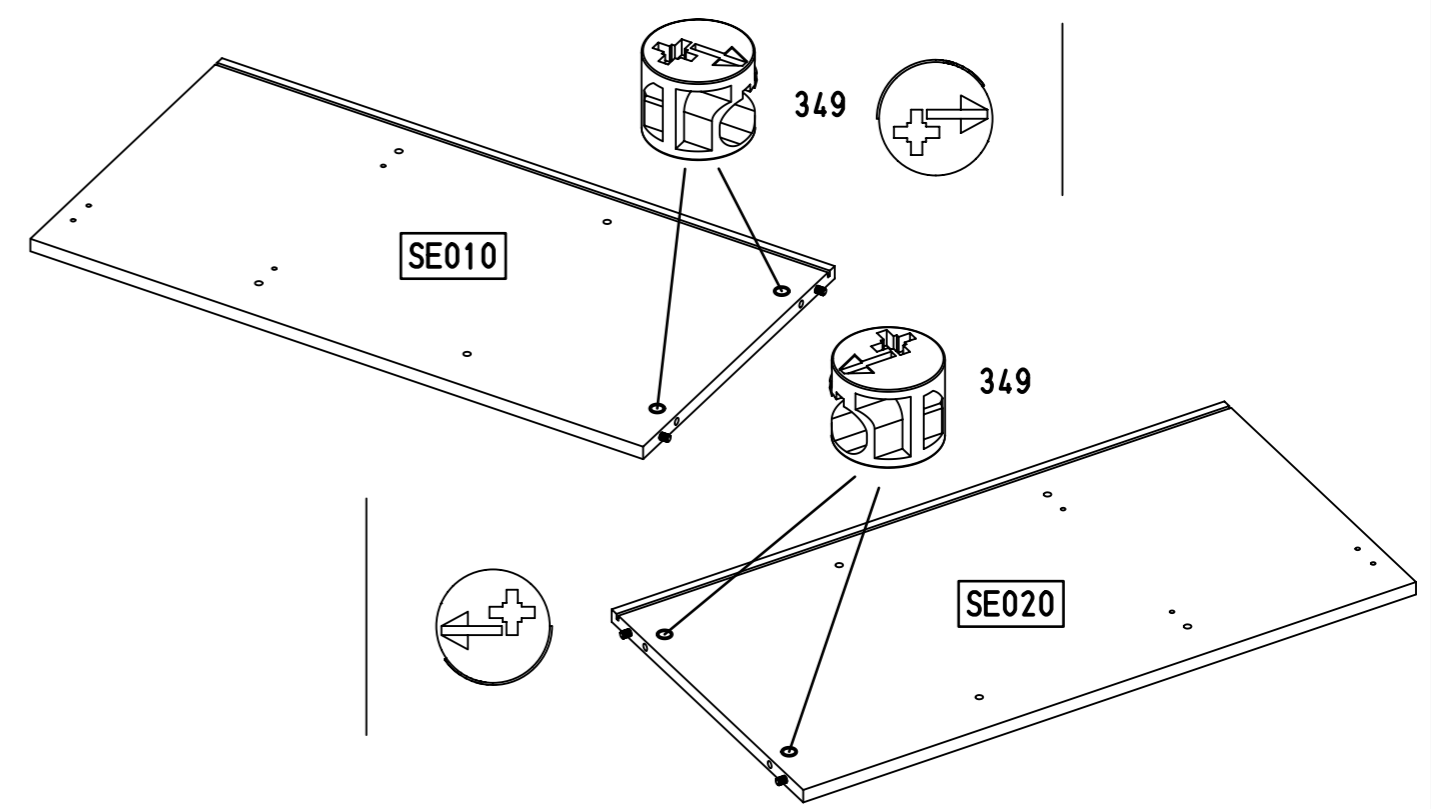
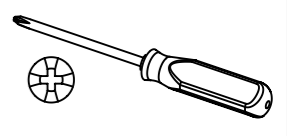
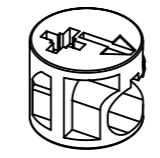


8x30



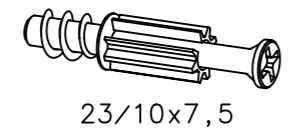
6

4x 349

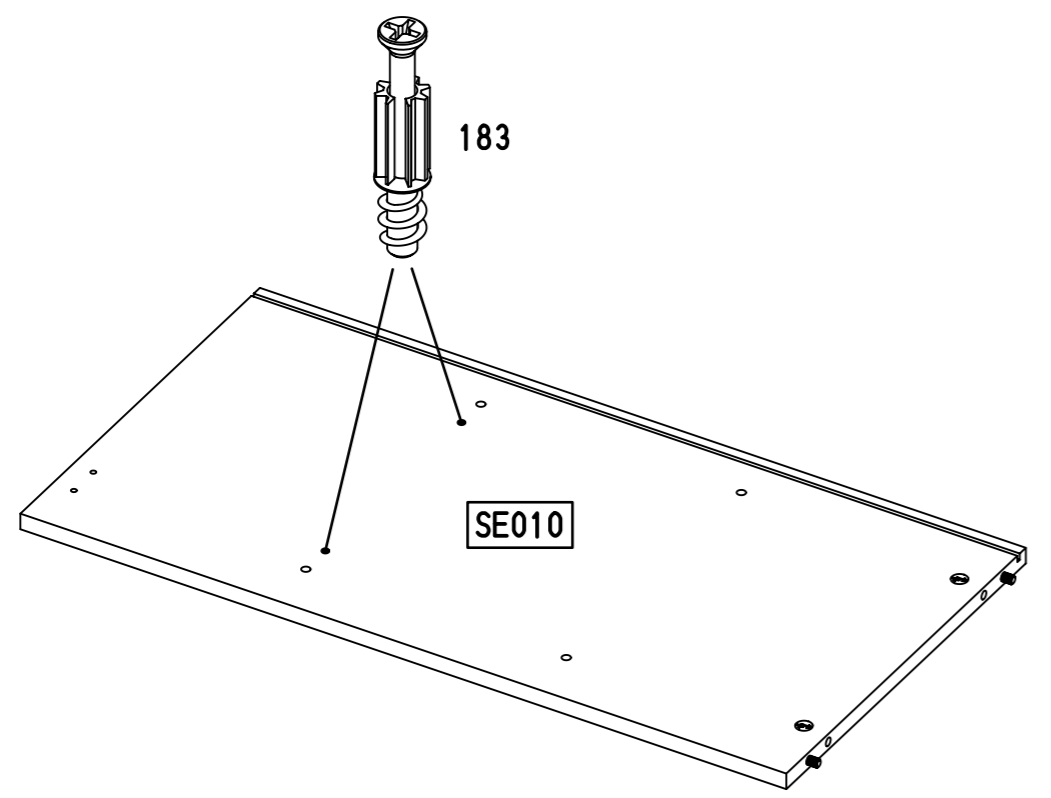
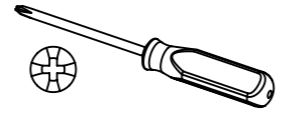


7

4x 183

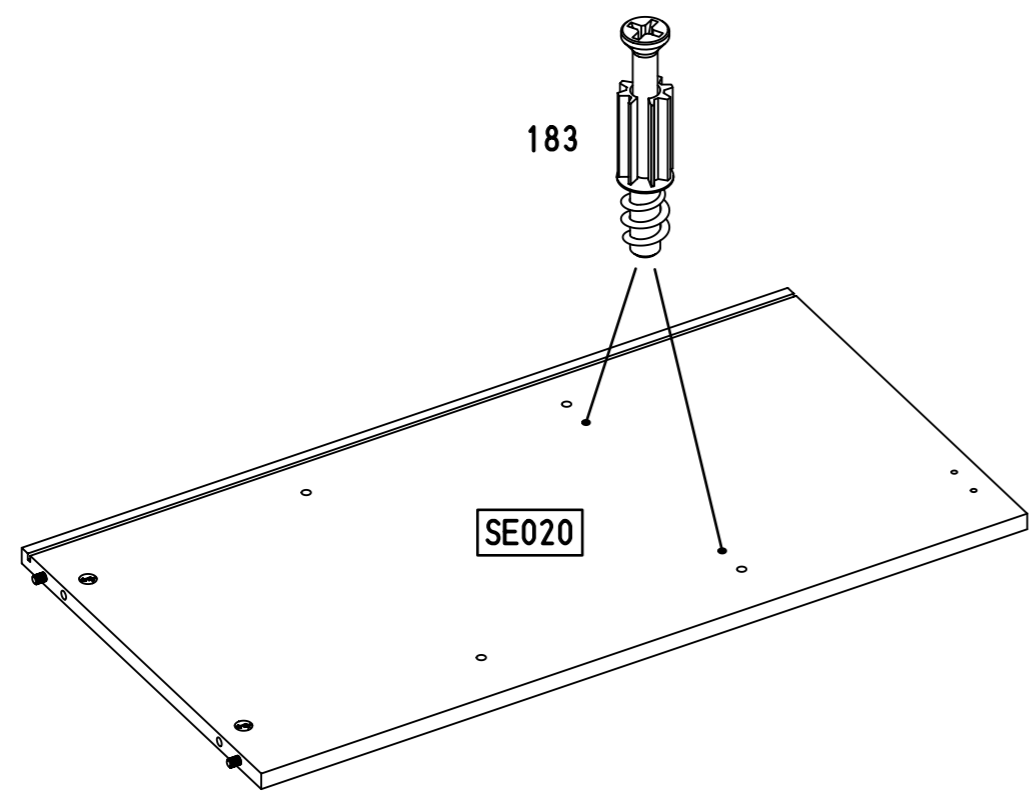


23/10x7,5



183

SE010

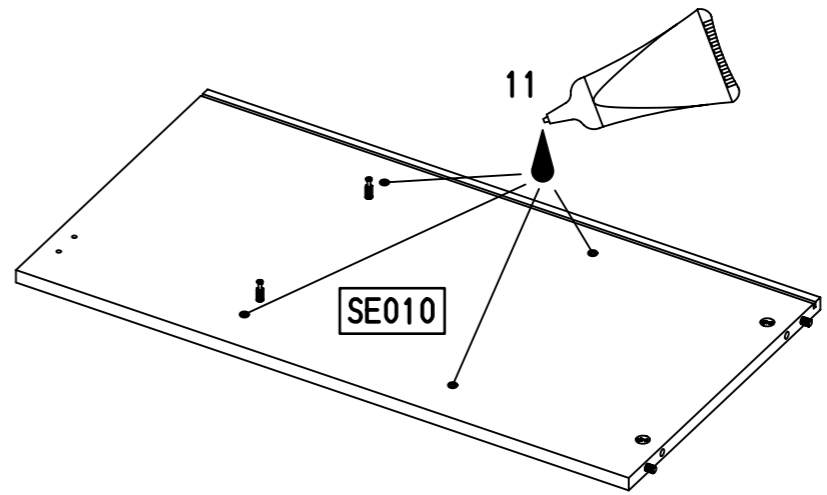
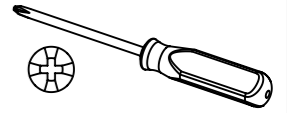
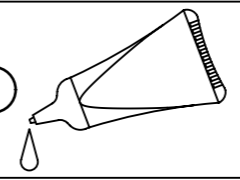


183

SE020

8

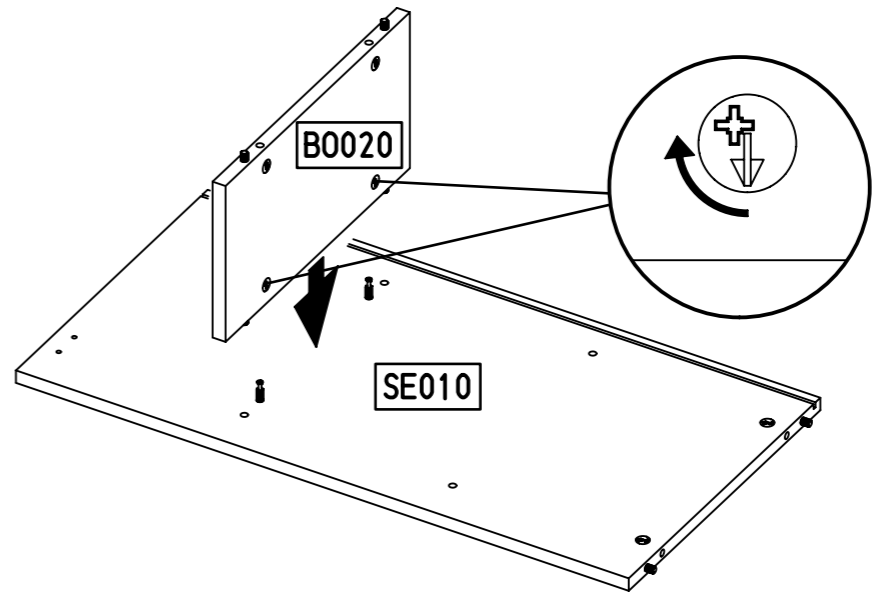
11



11

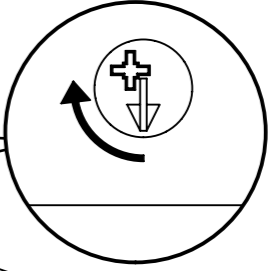
SE010

1.

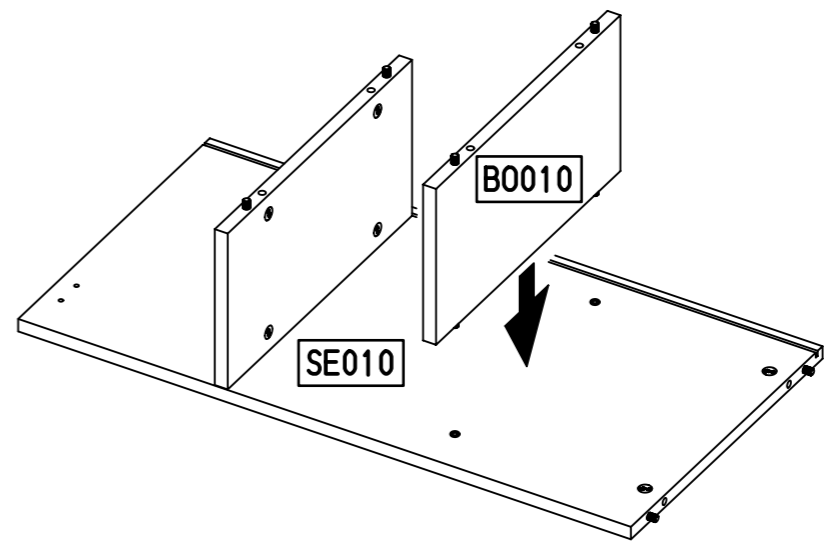


B0020

SE010



2.



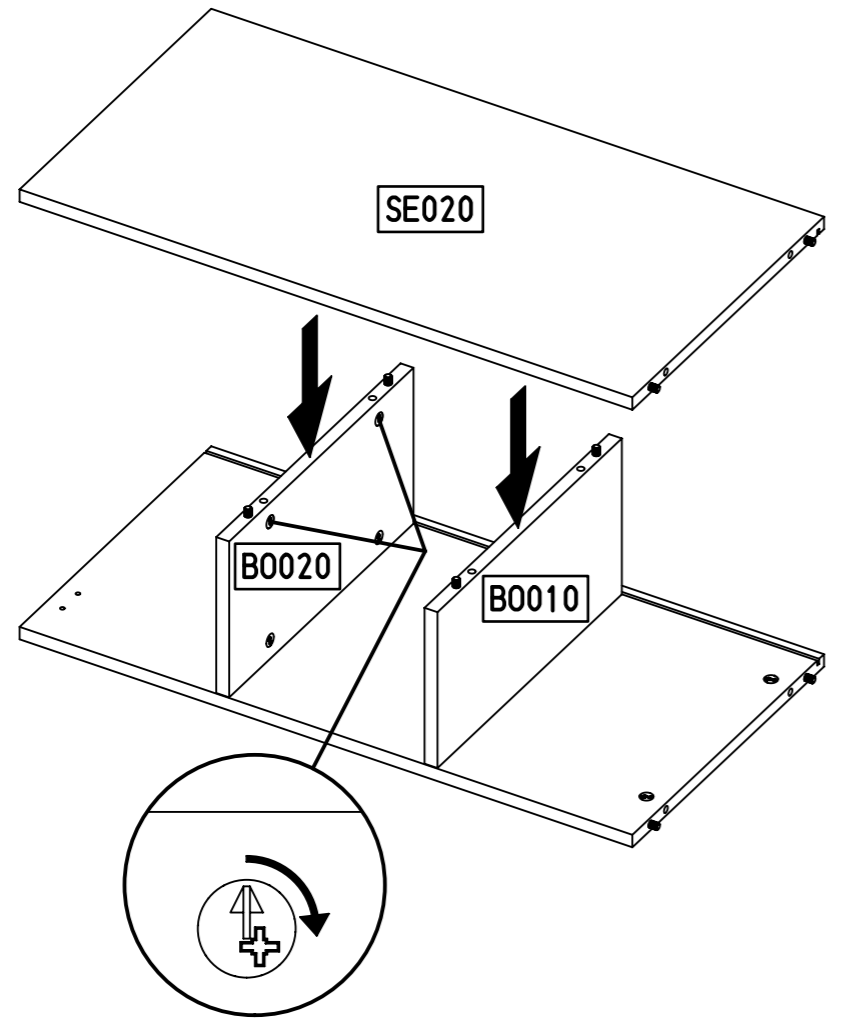
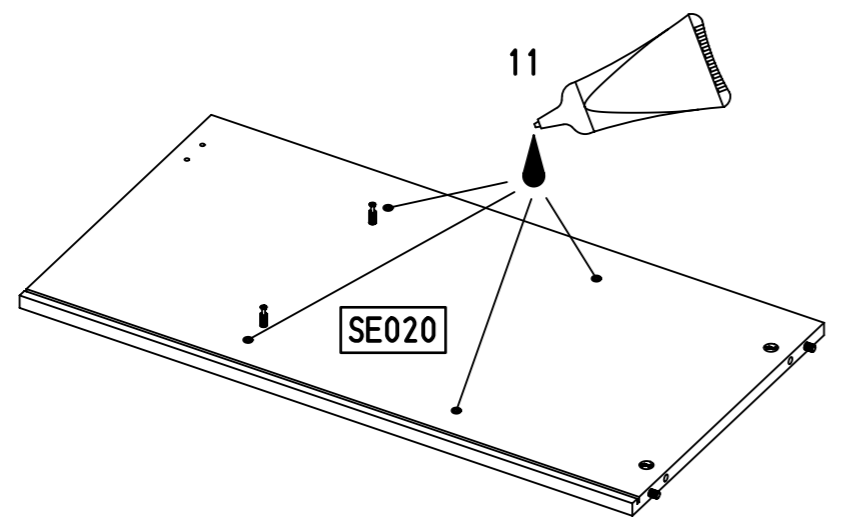
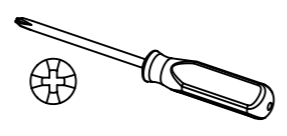
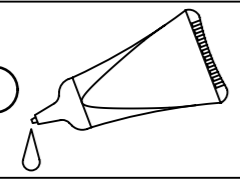
B0010

SE010

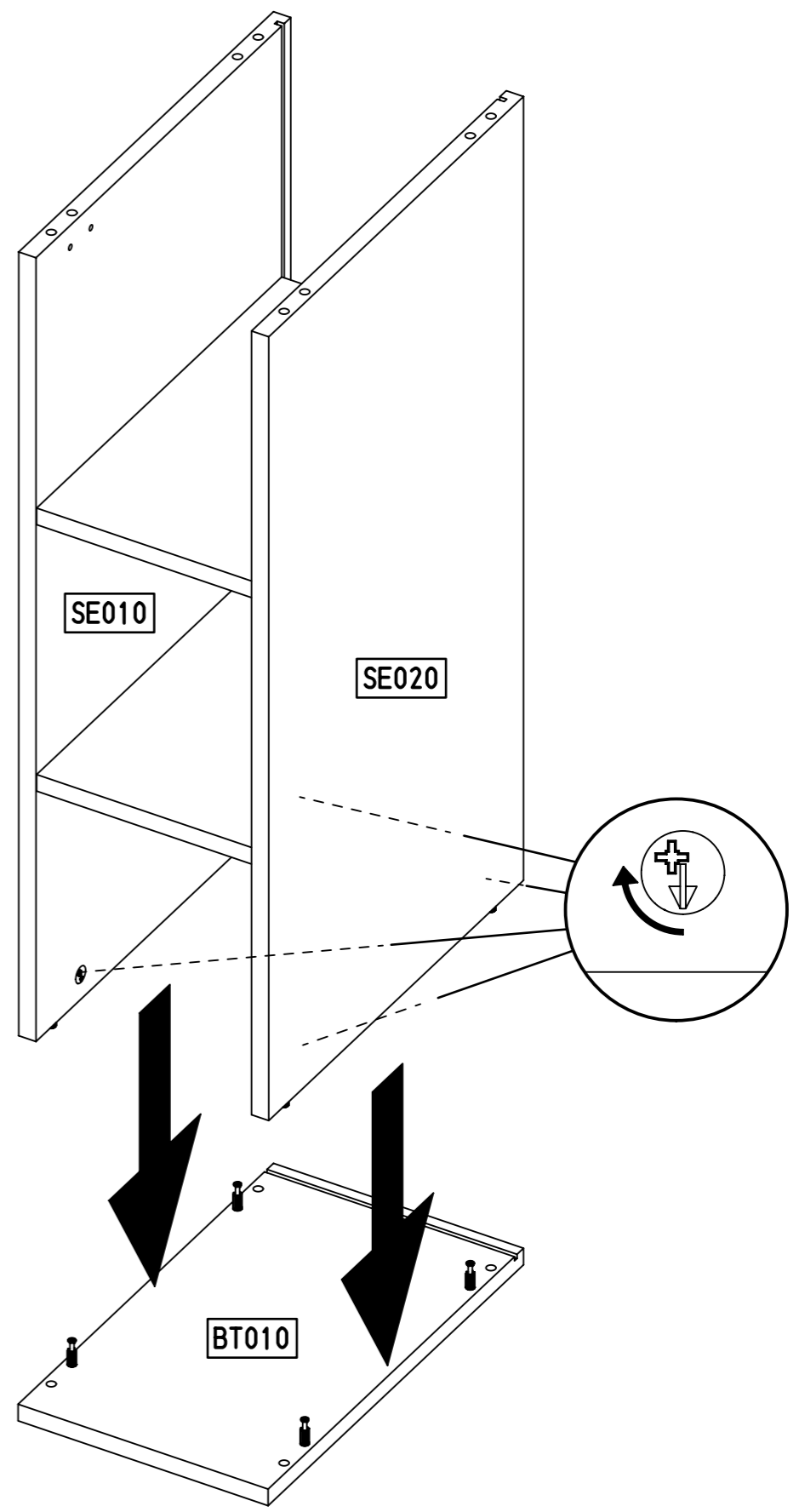
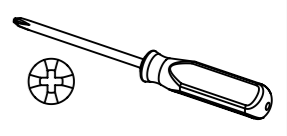
3.

9

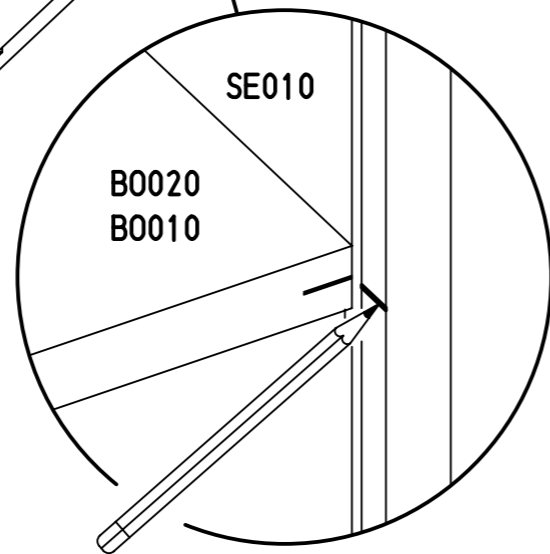
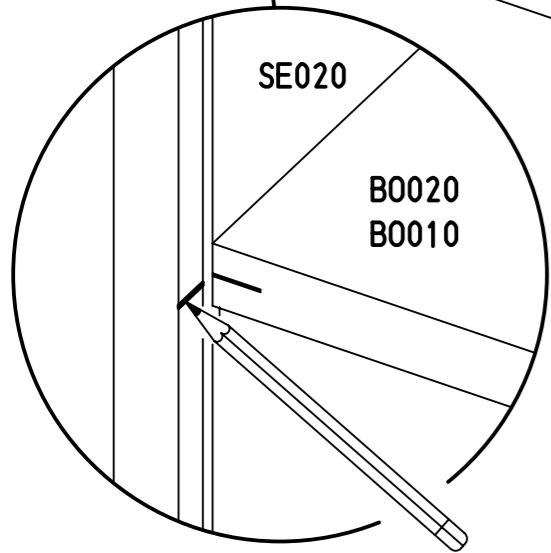
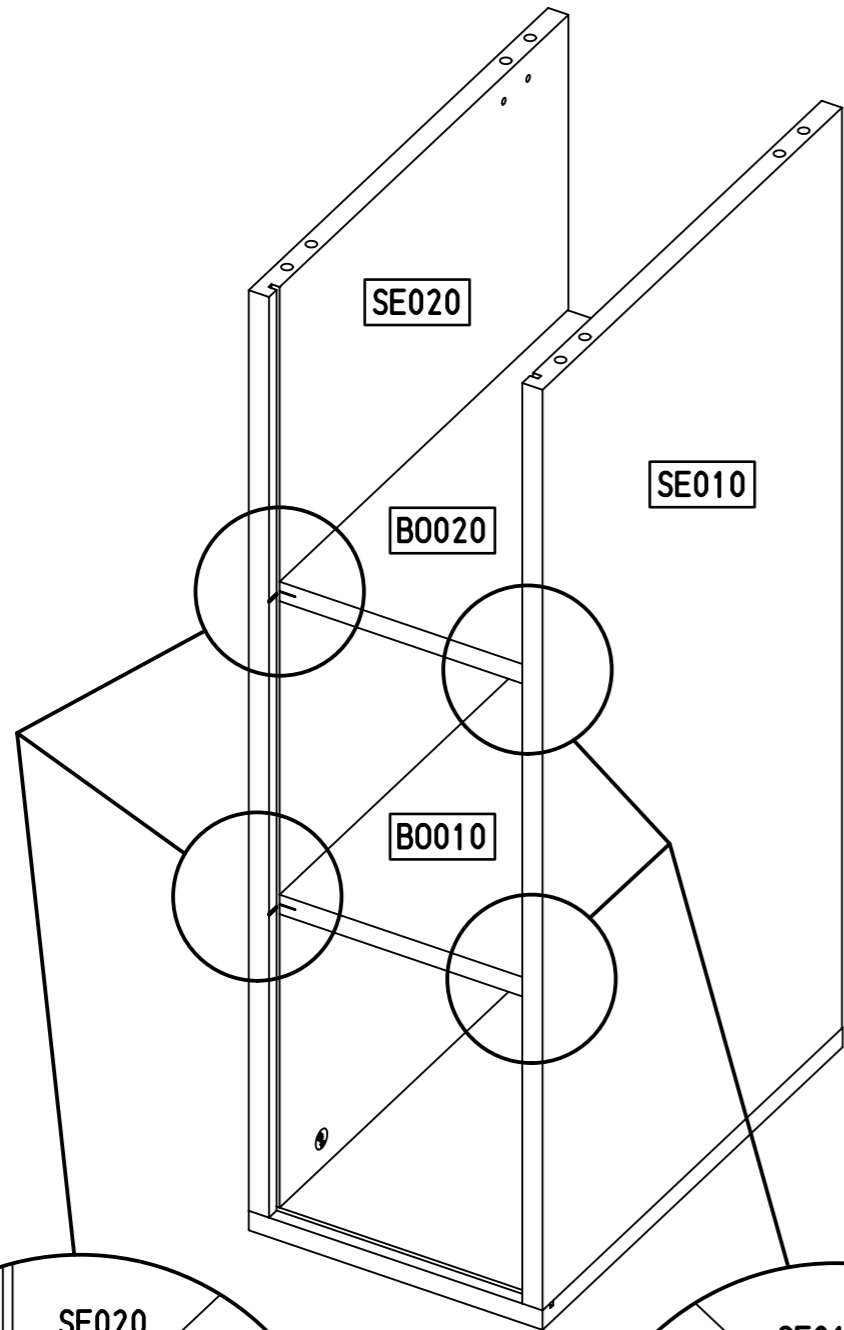
11



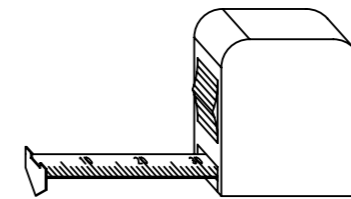
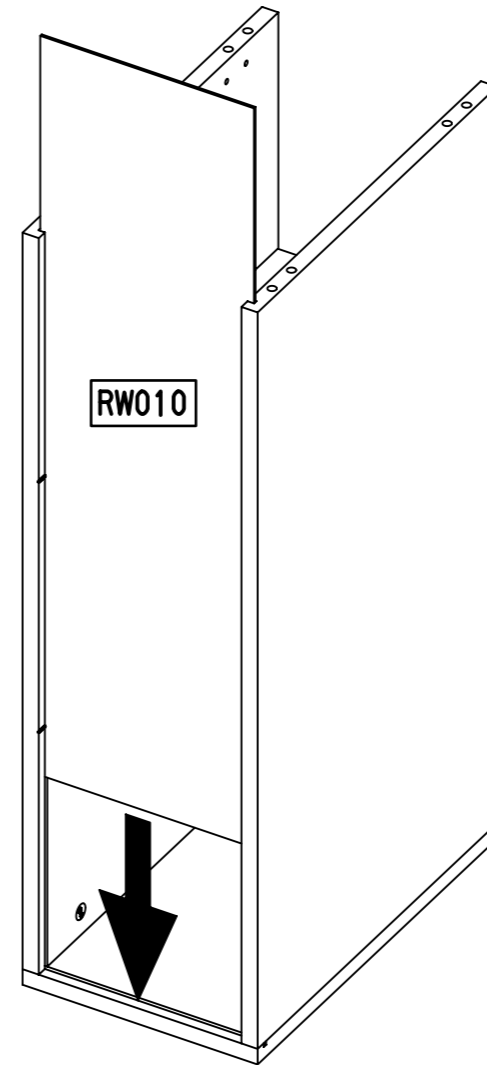
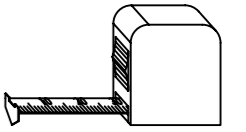
10



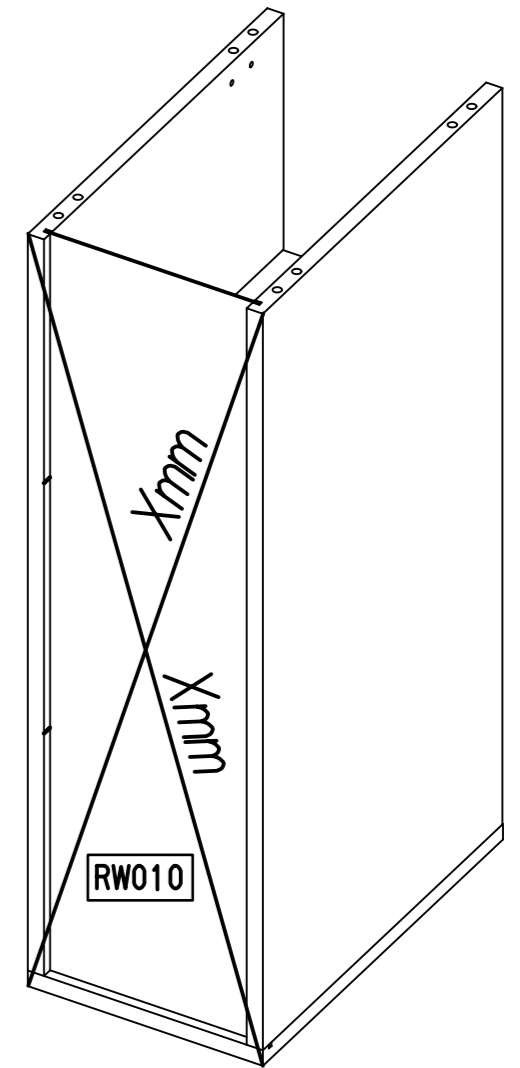
11



12

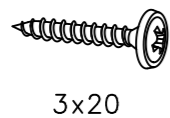


Xmm = Xmm

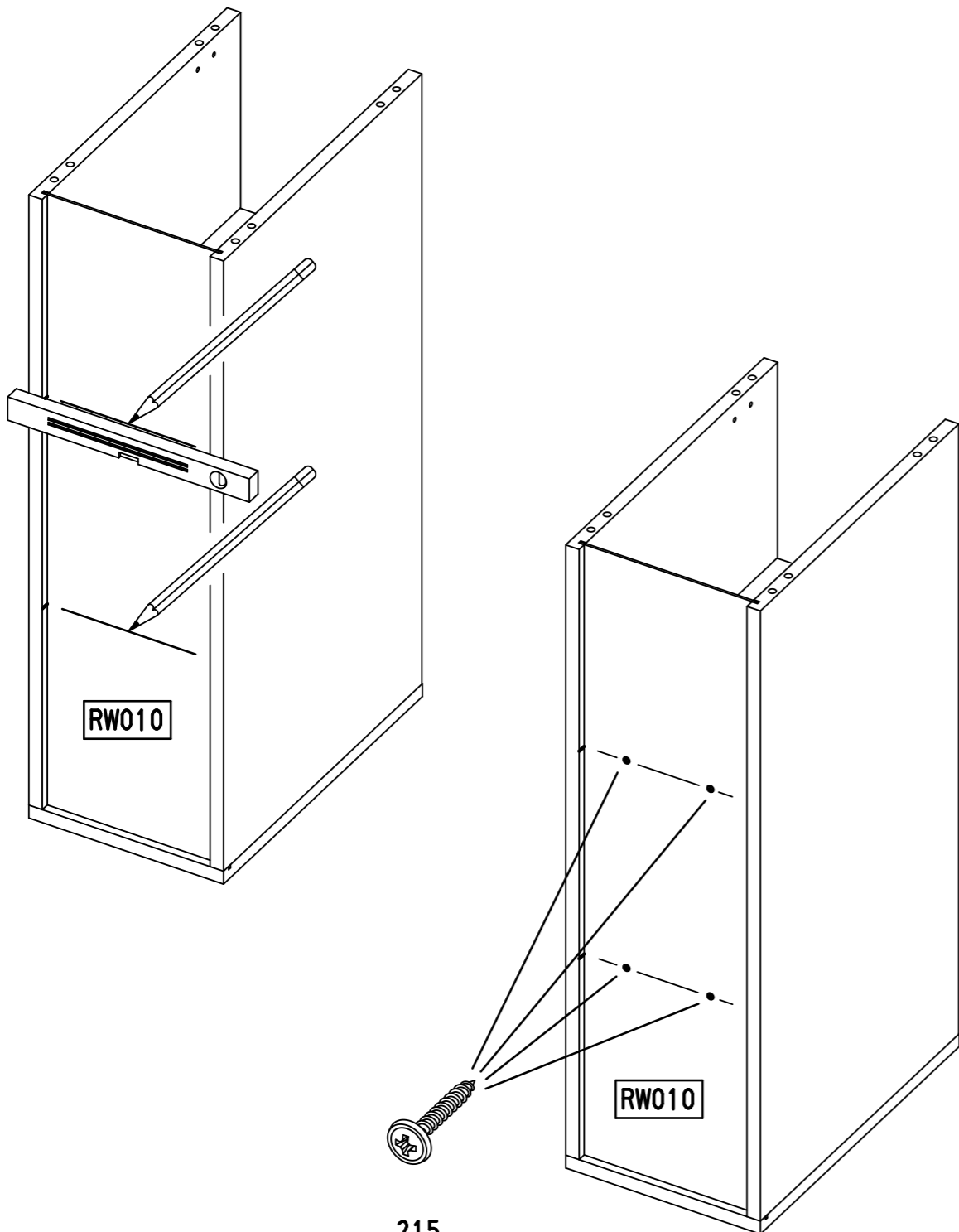
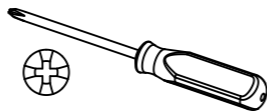
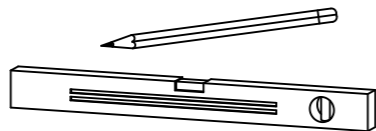


13

4x 215



3x20



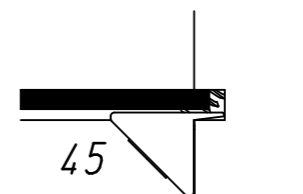
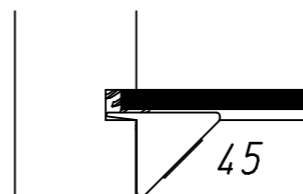
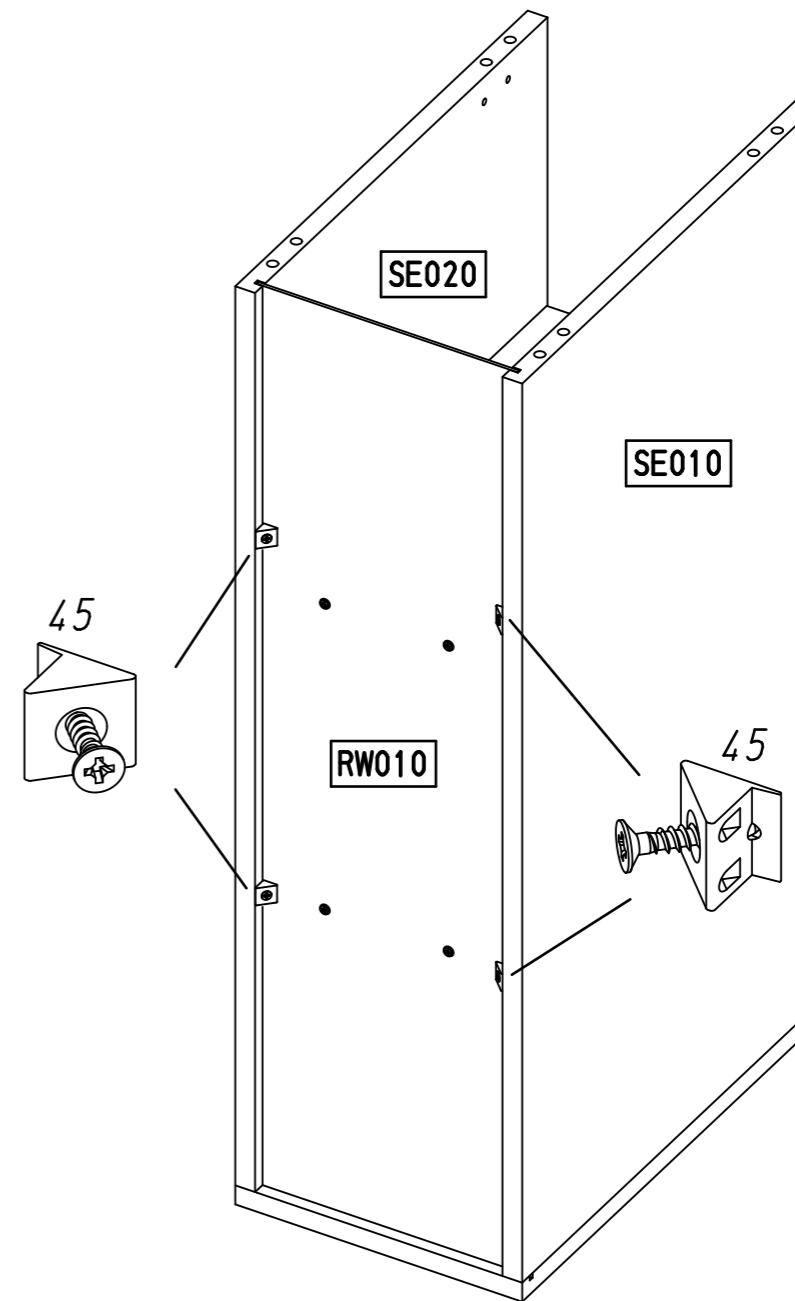
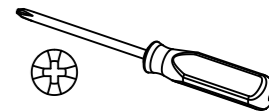
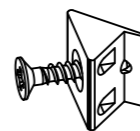
215



B0020  
B0010

14

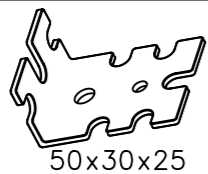
4x 45



15.

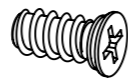
15

2x 1033

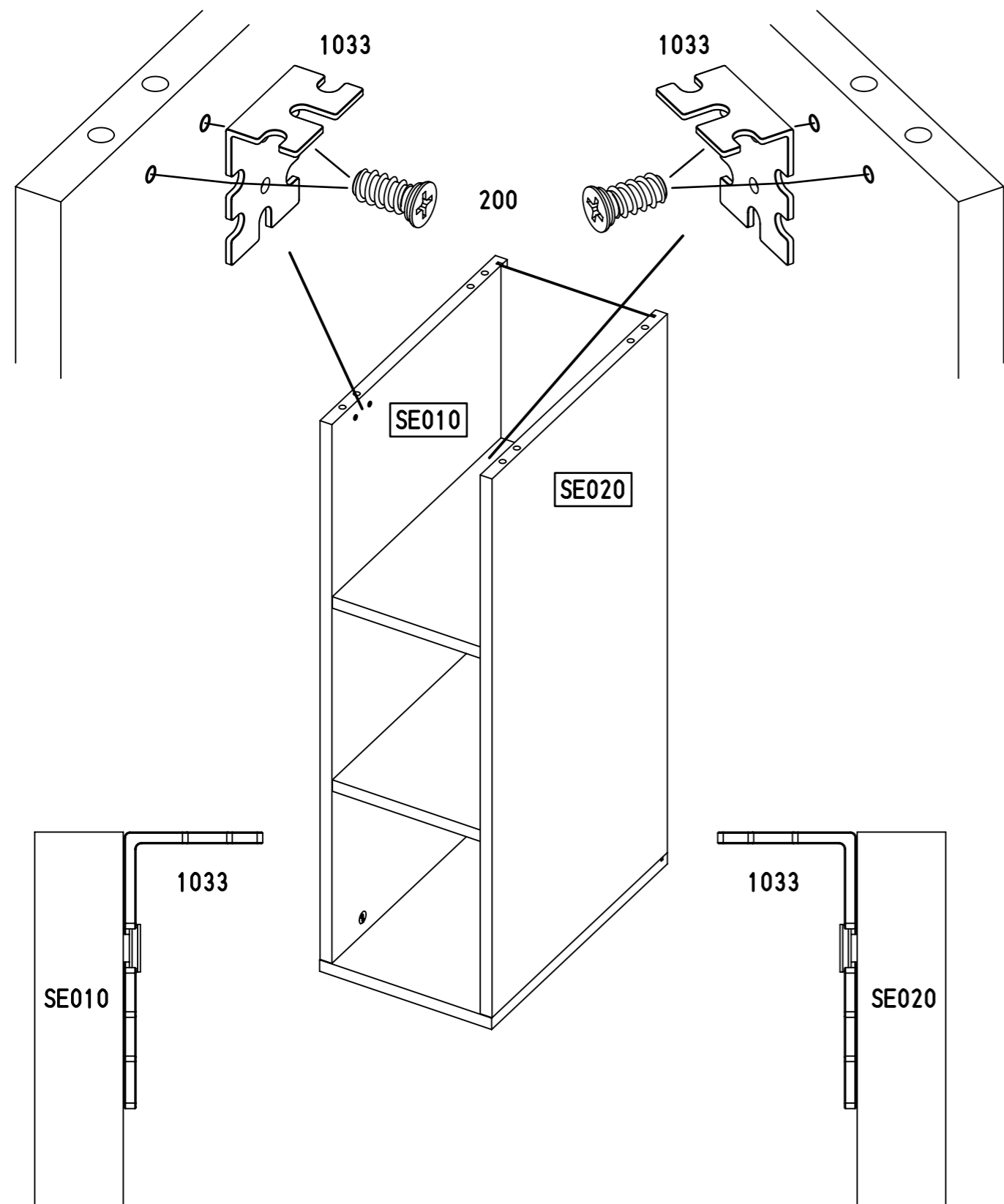
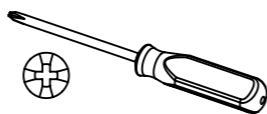


50x30x25

4x 200



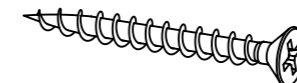
6,3x14



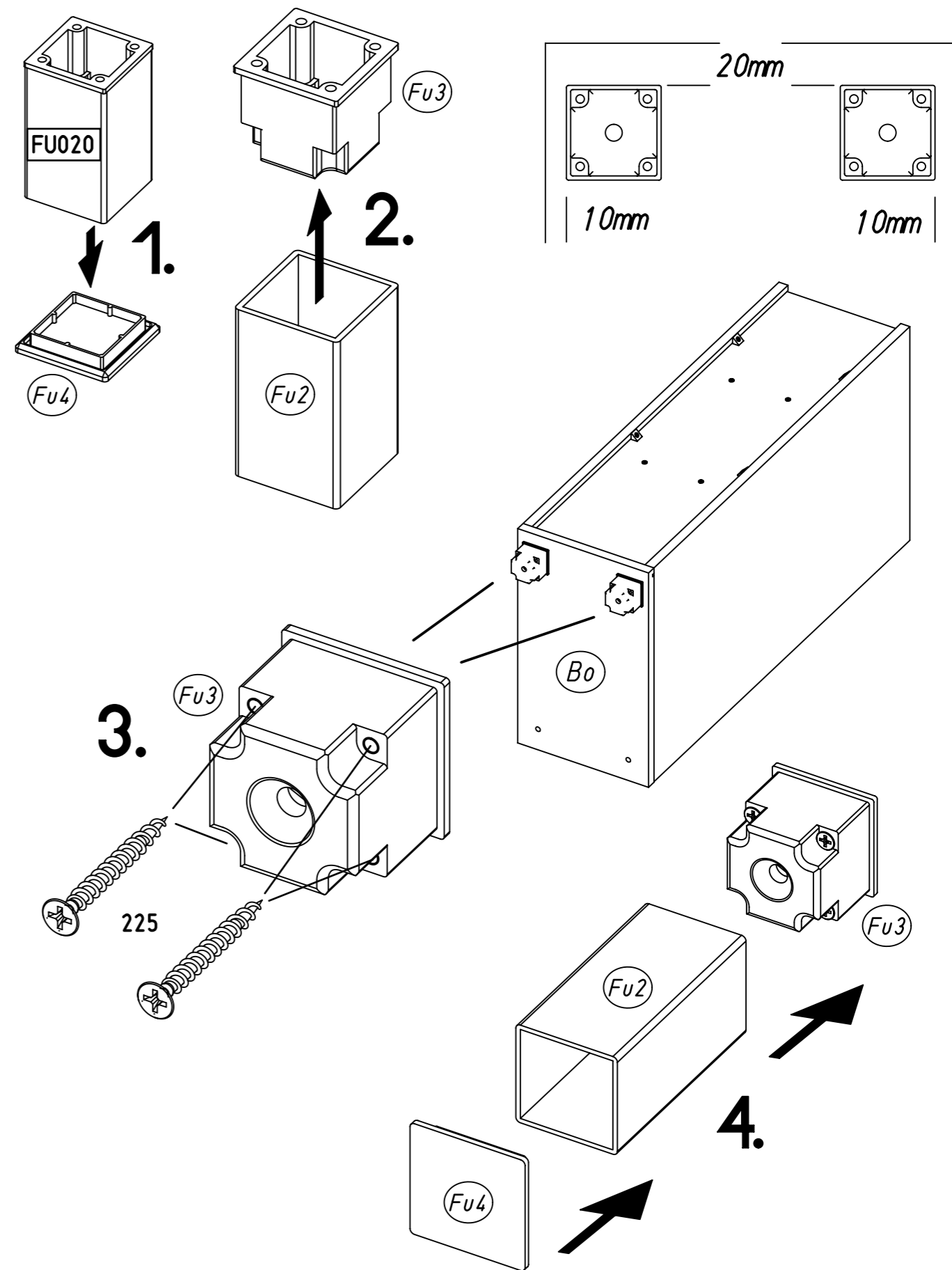
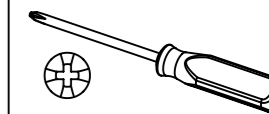
16.

16

8x 225



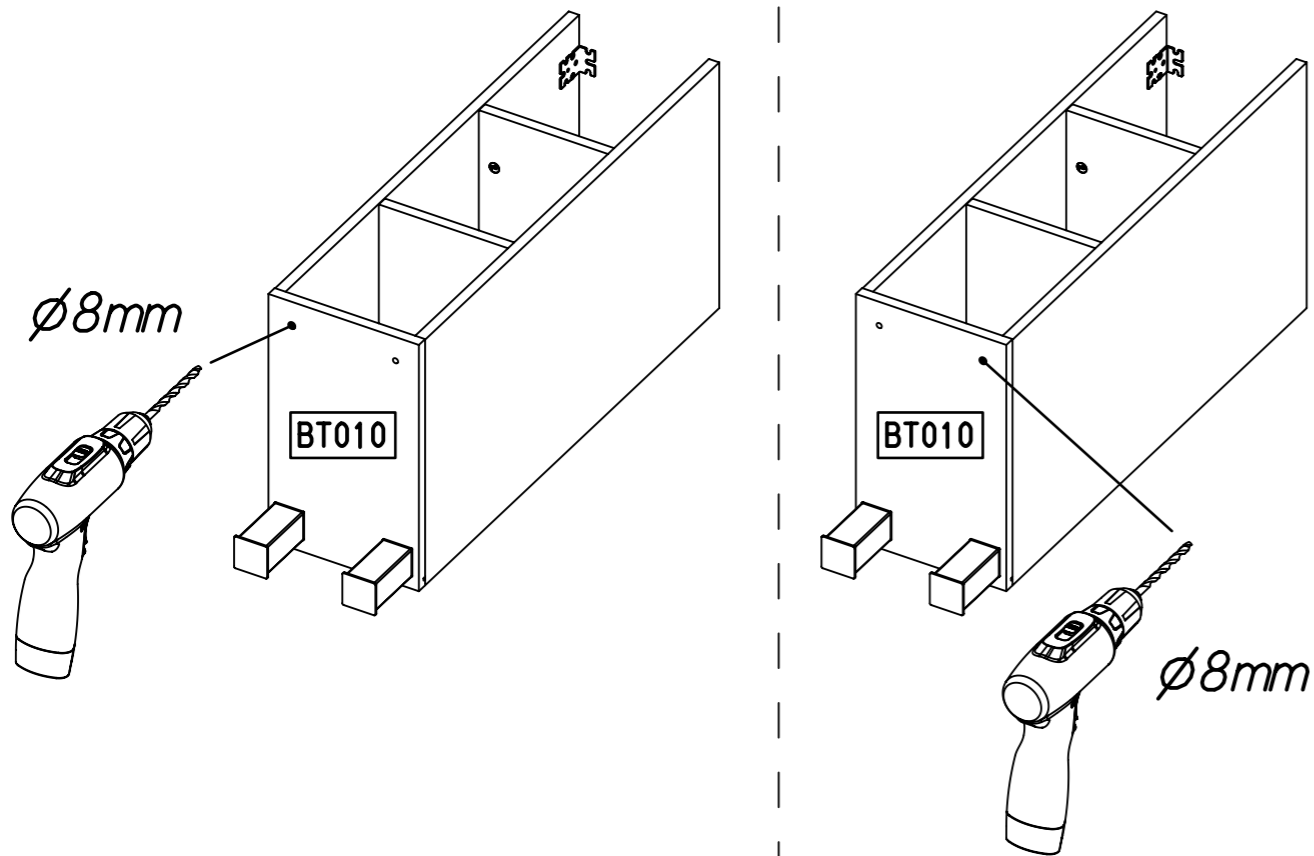
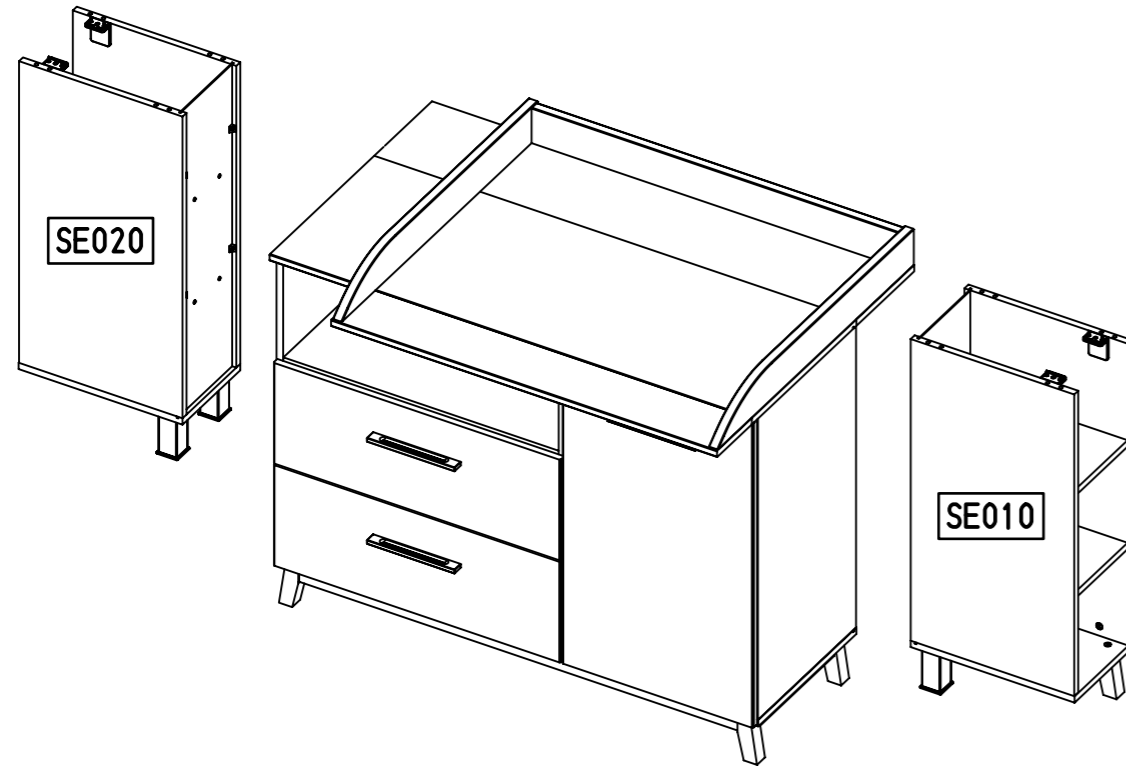
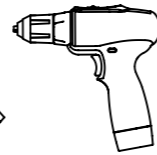
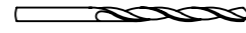
4x40





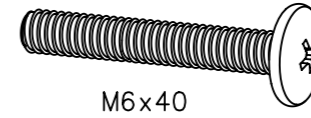
17

∅8mm

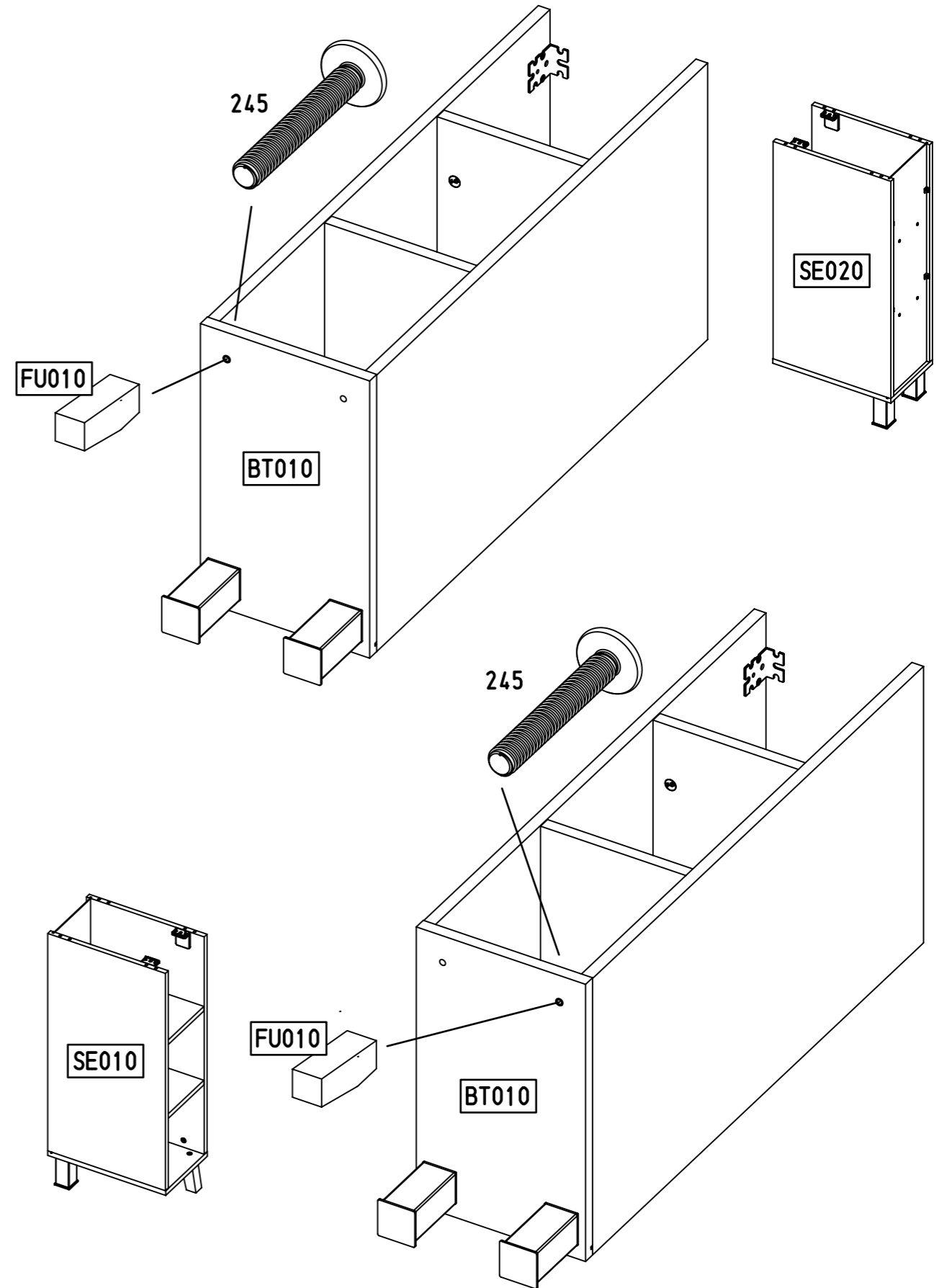
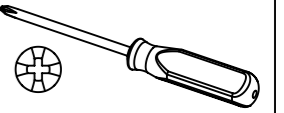


18

1x 245



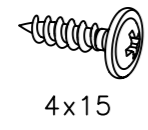
M6x40



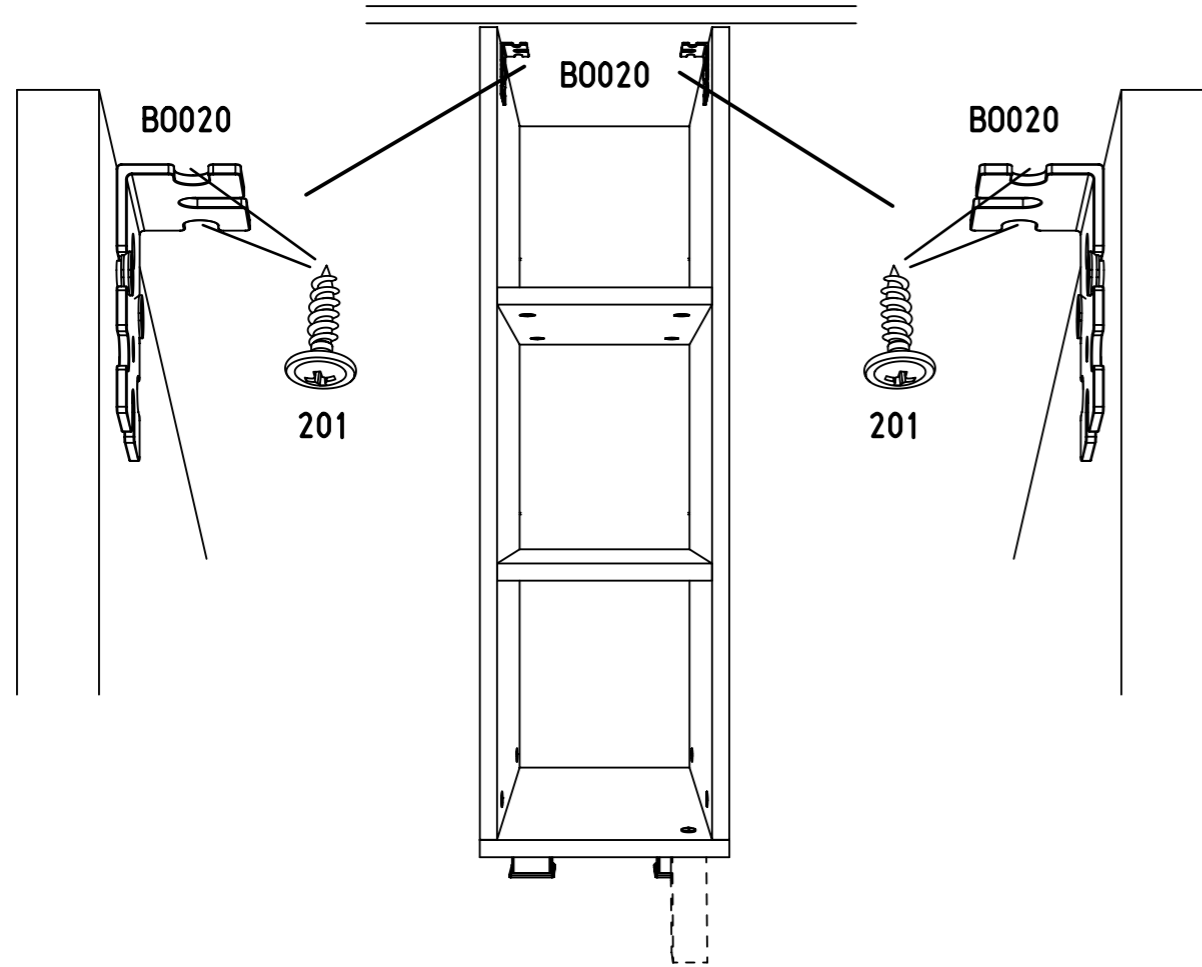
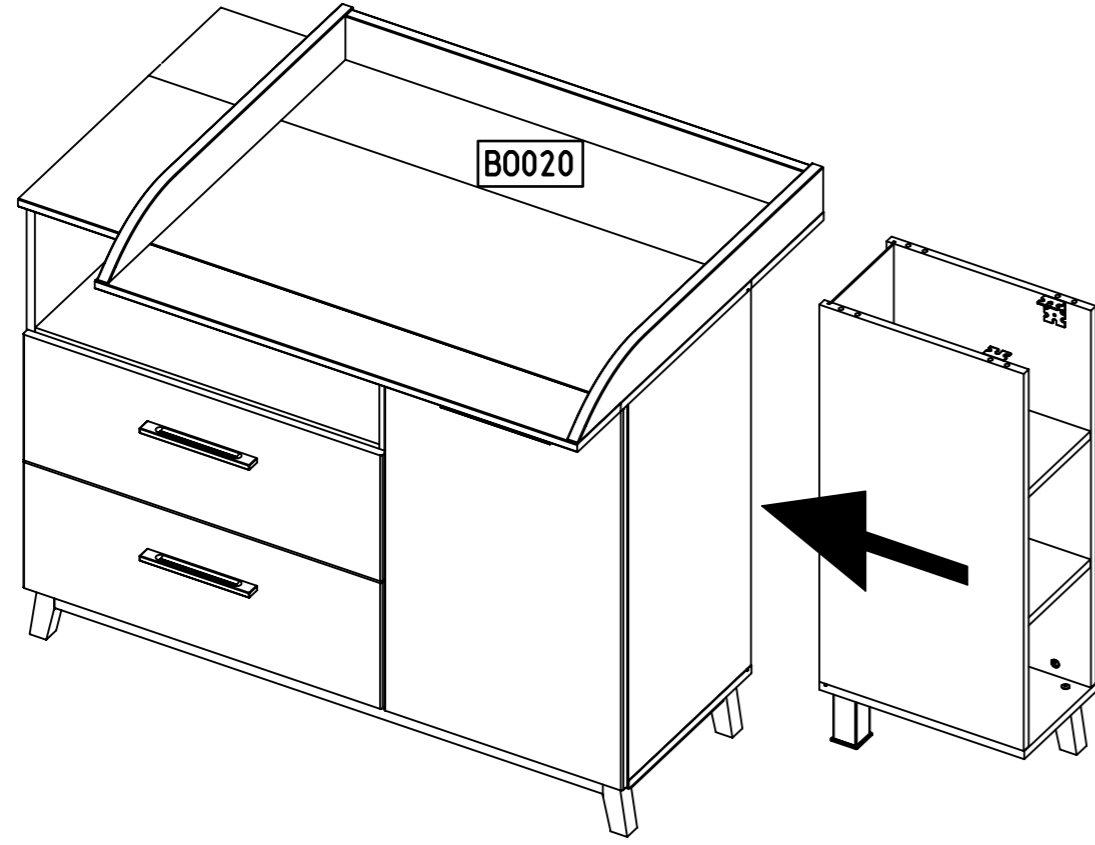
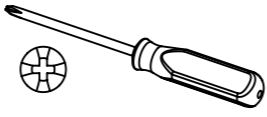
19.

19

4x 201



4x15



20.

20

2x 1034

