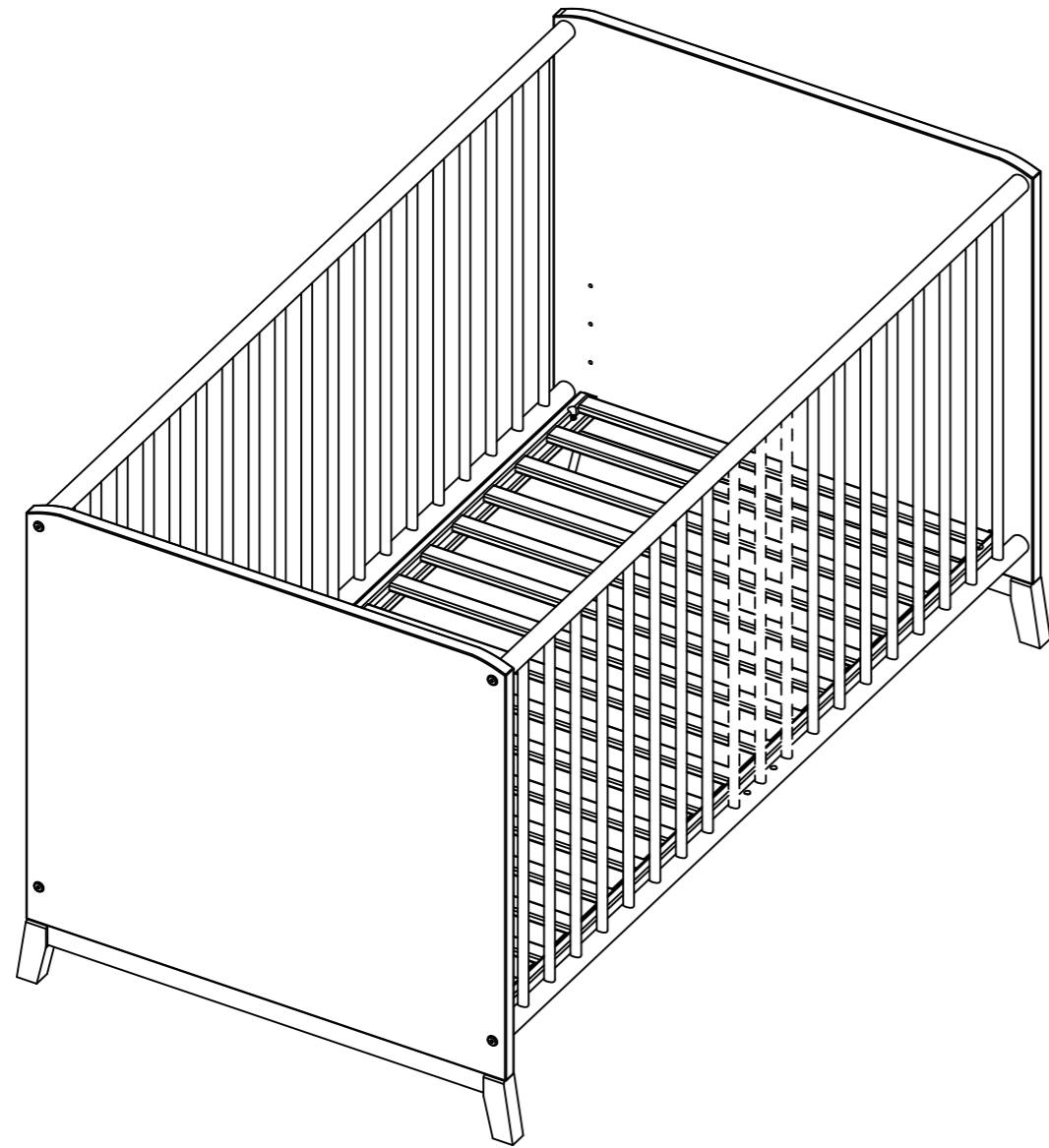
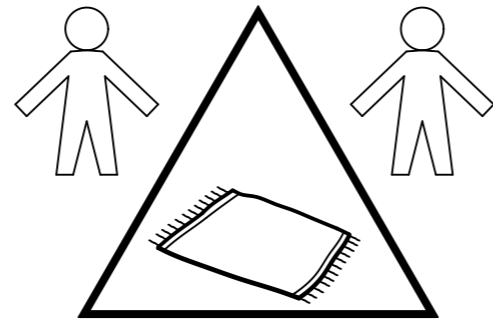
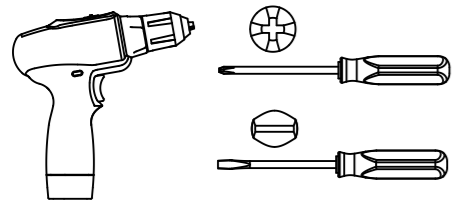


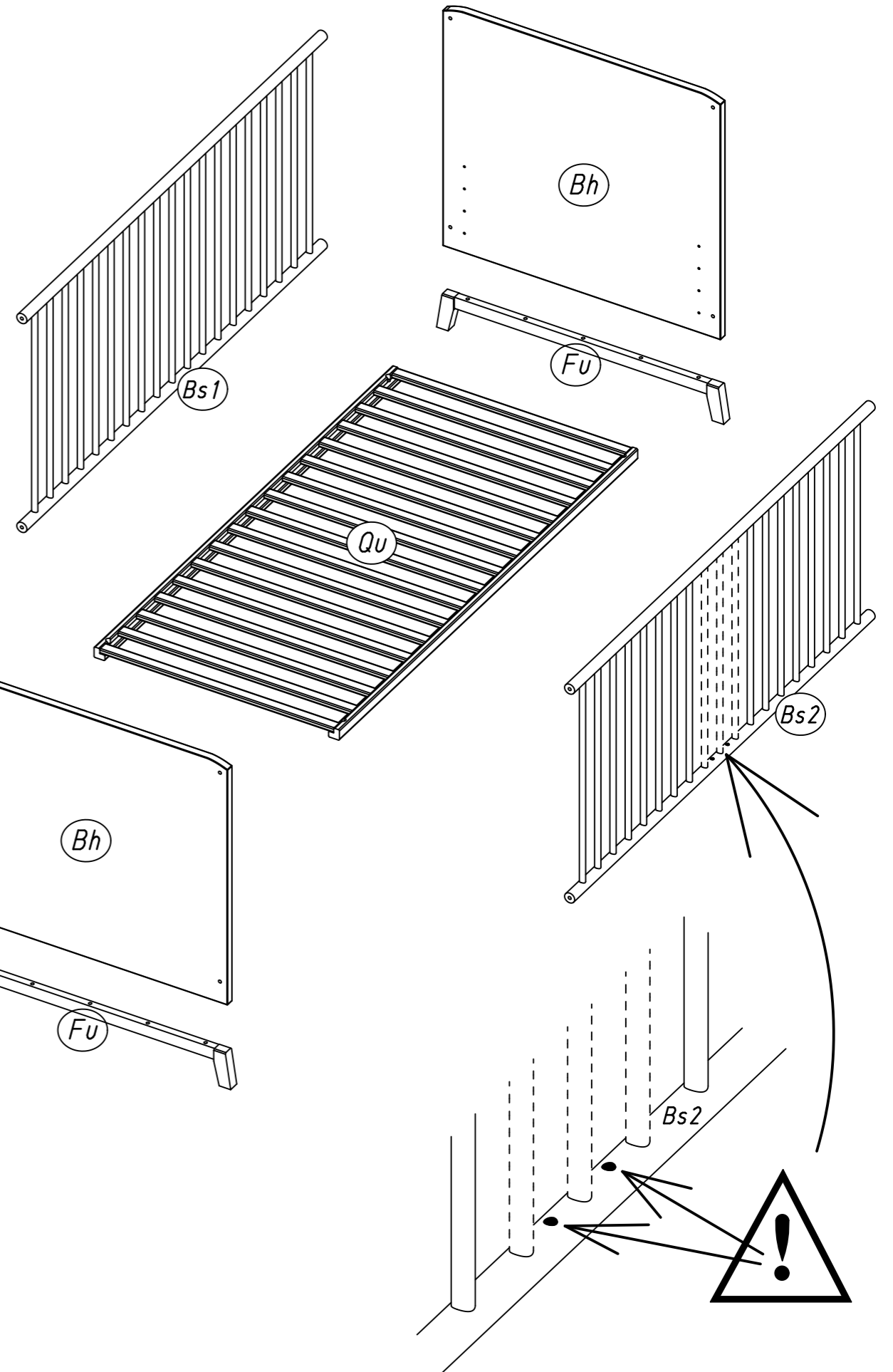
1.

M2443\_01

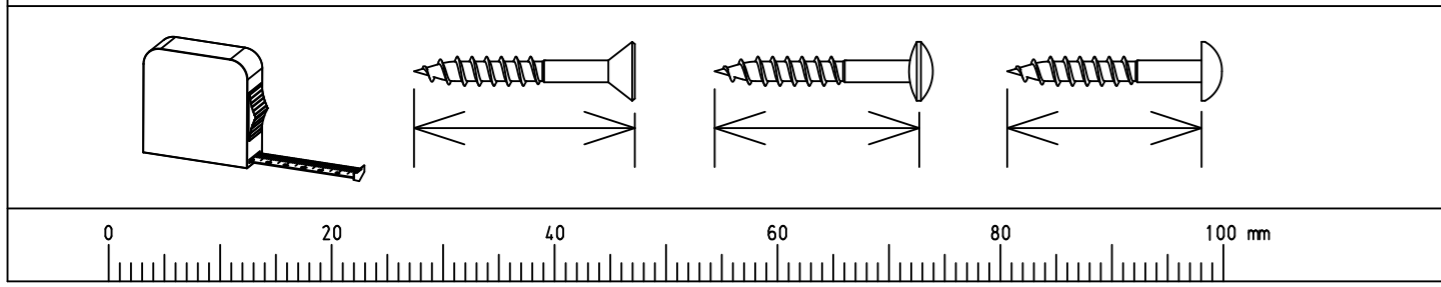
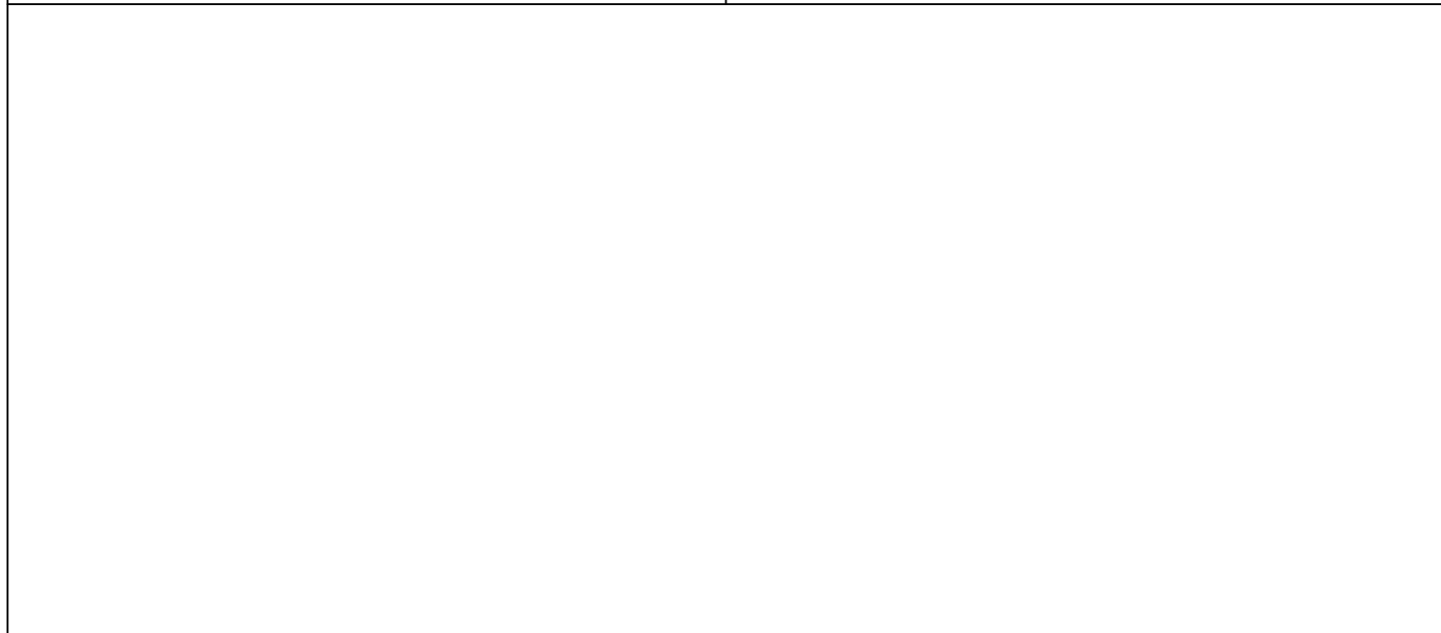
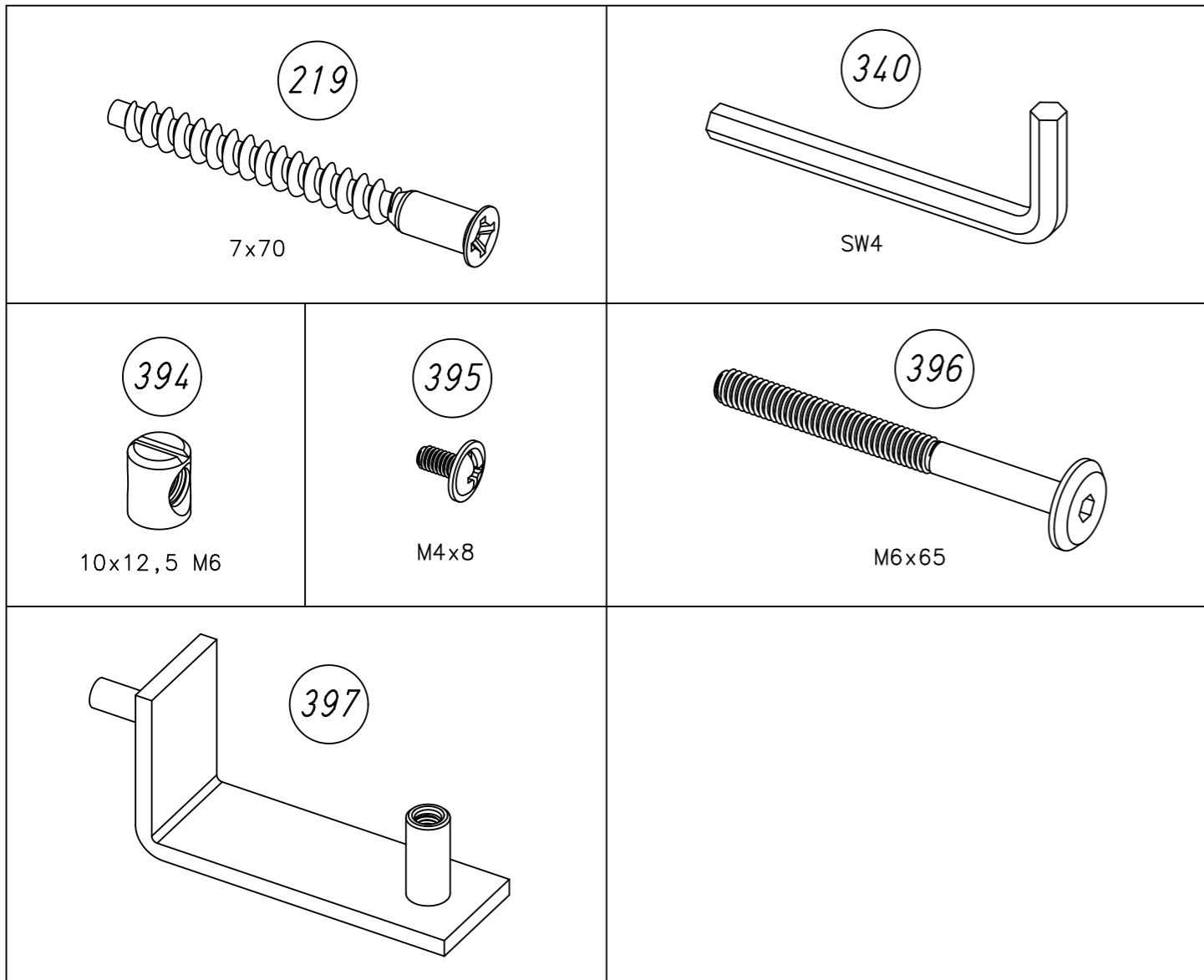
rauch



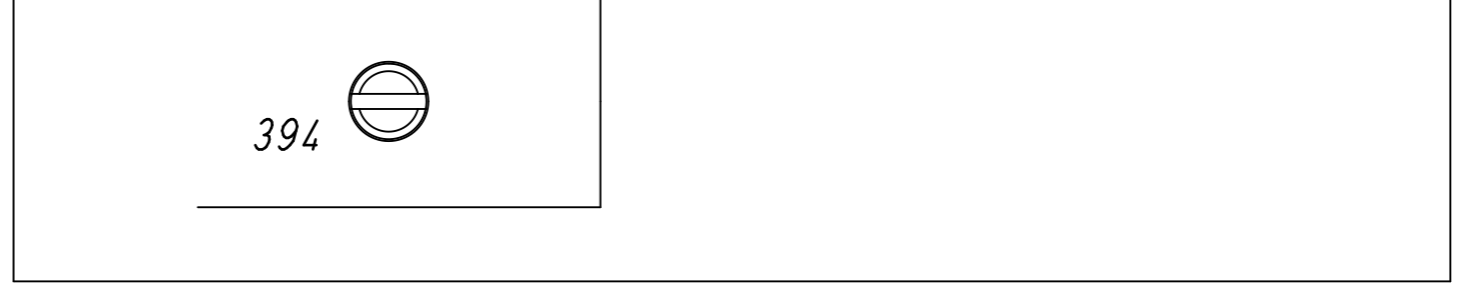
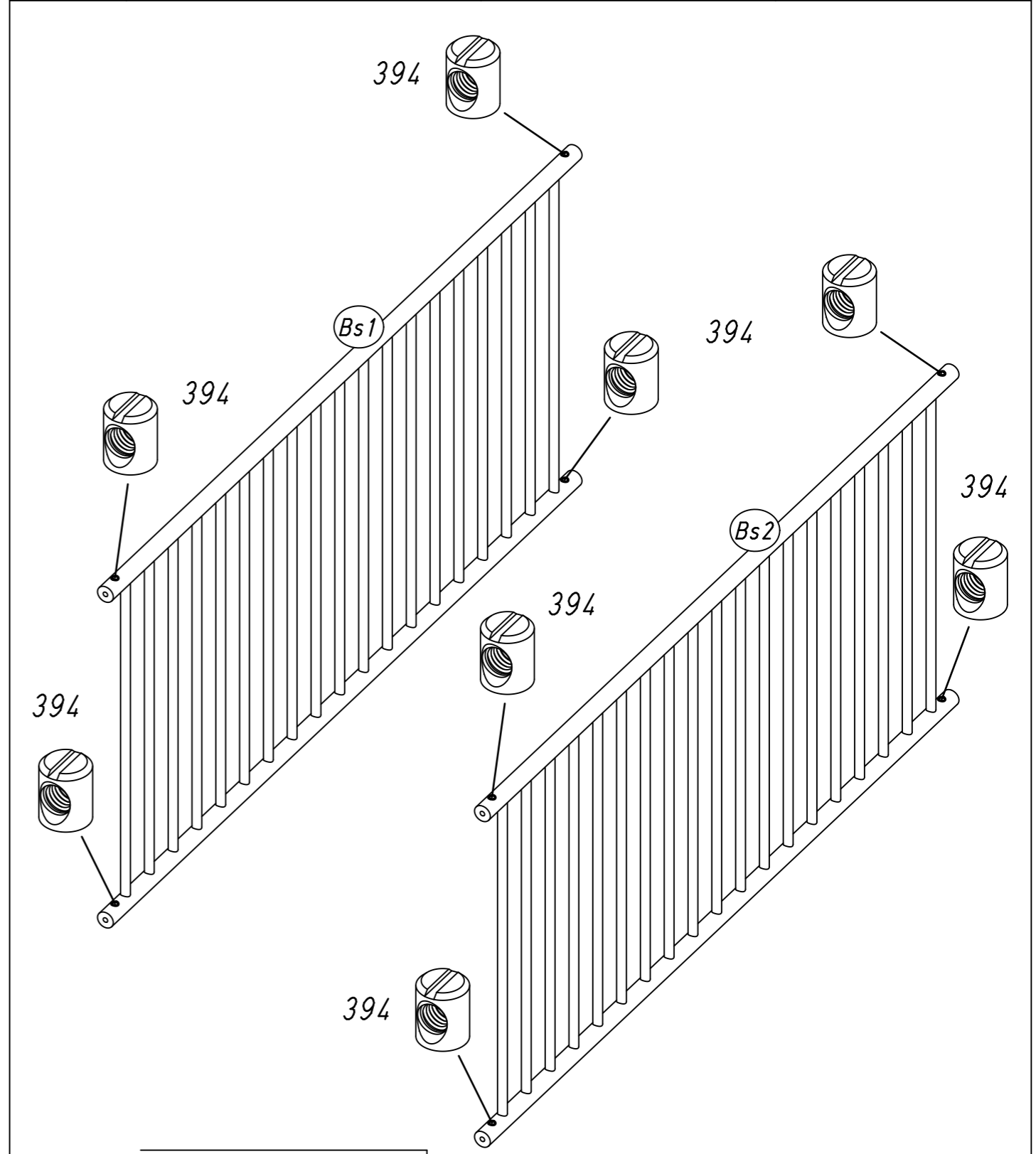
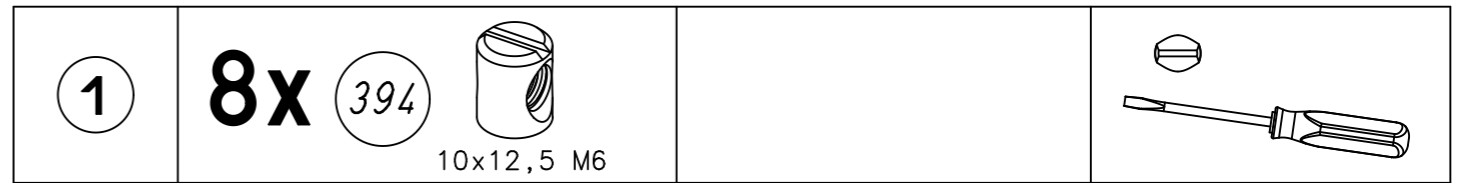
2.



3.



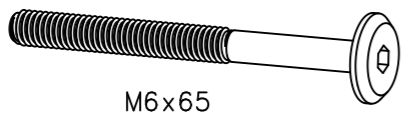
4.



5.

2

4x 396

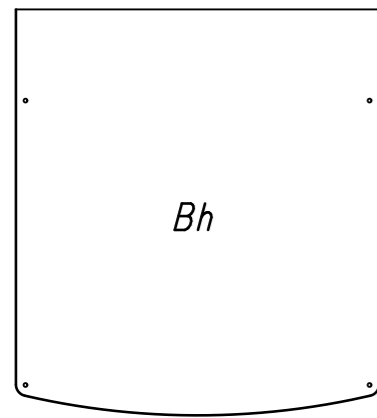
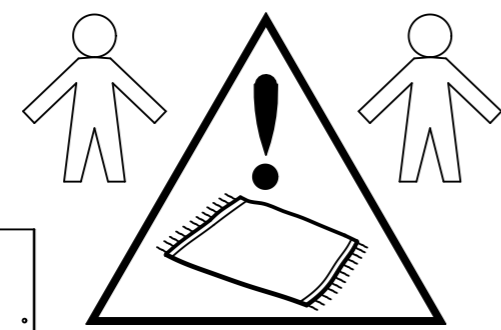


M6x65

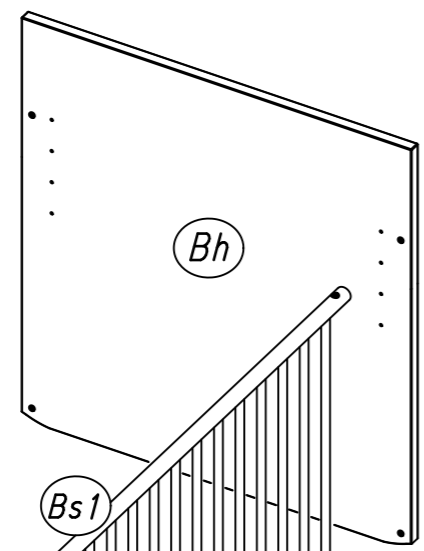
340



SW4



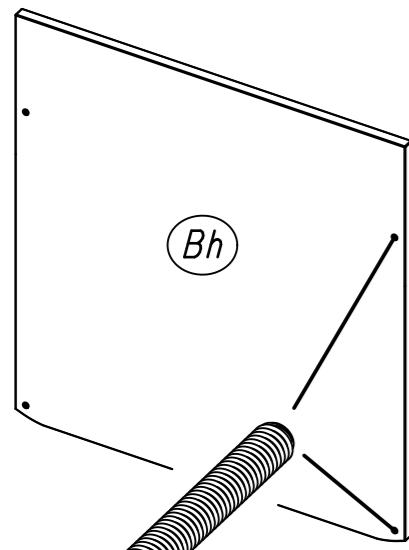
Bh



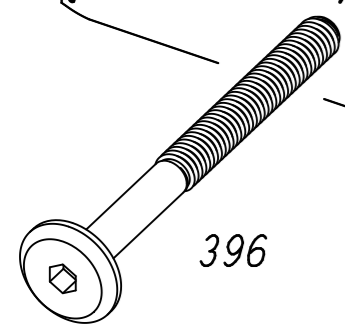
Bh

Bs1

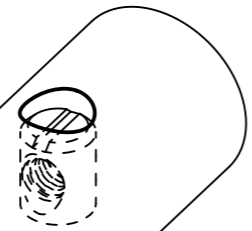
396



Bh



396

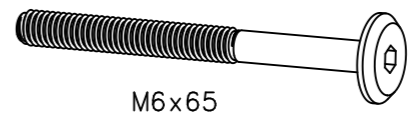


M2443

6.

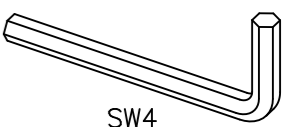
3

4x 396

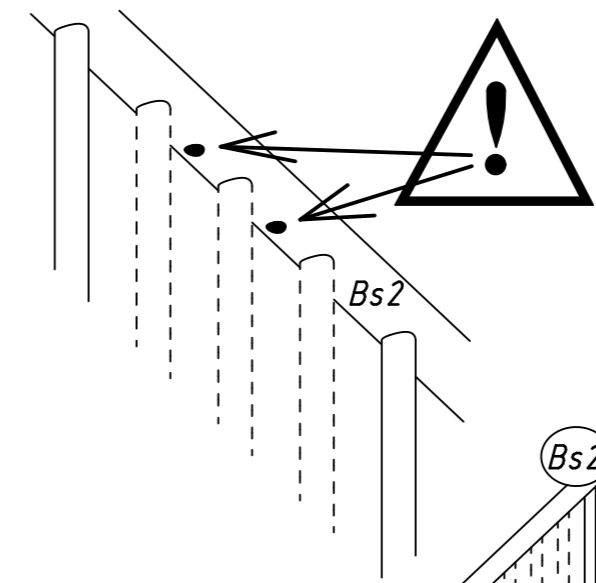


M6x65

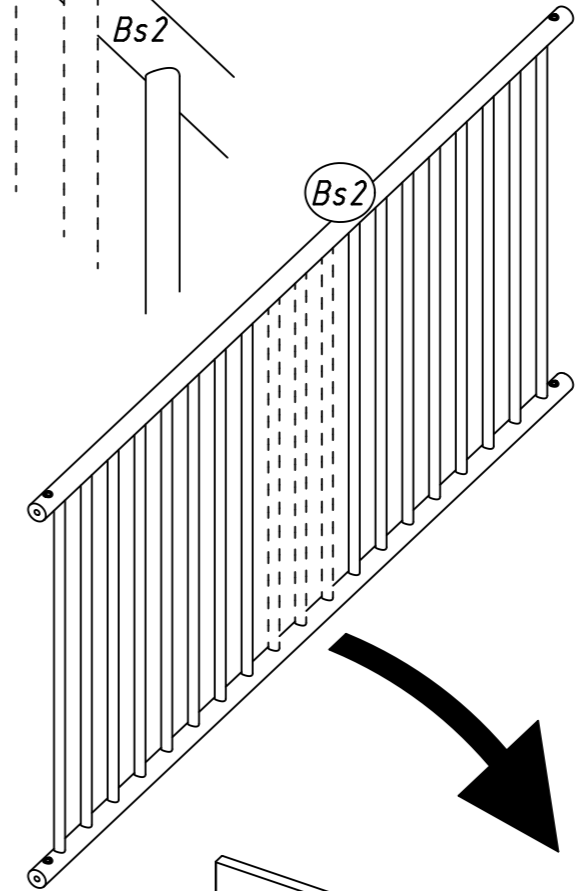
340



SW4

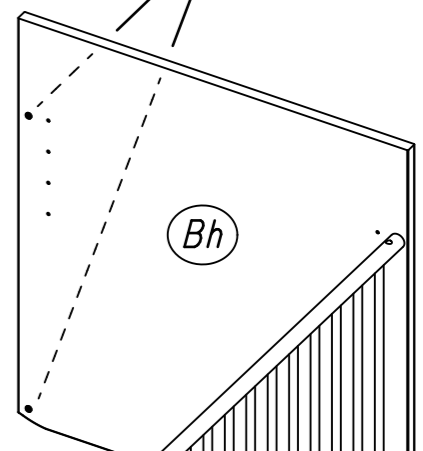
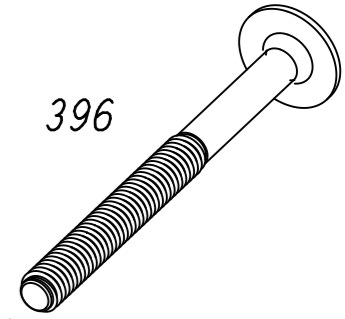


Bs2

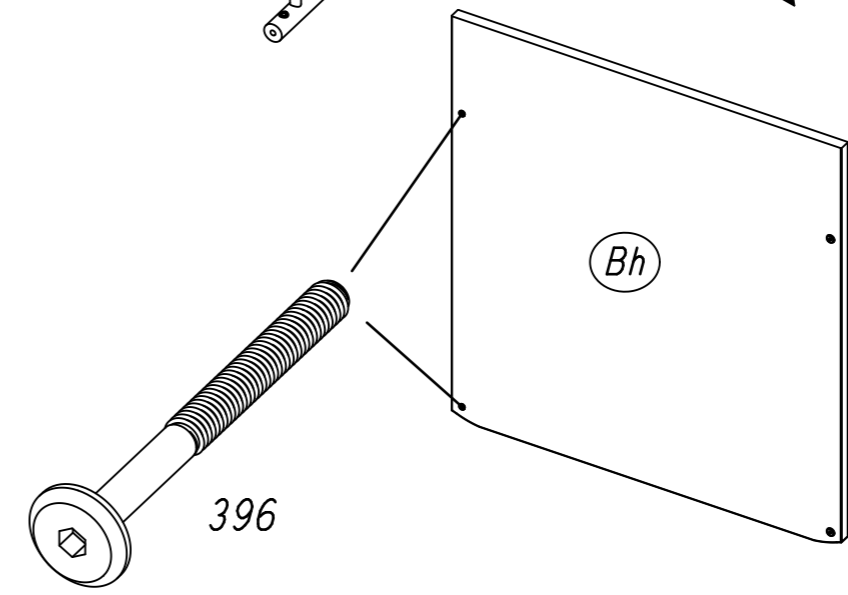


Bs2

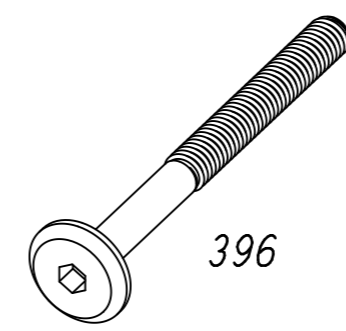
396



Bh



Bh



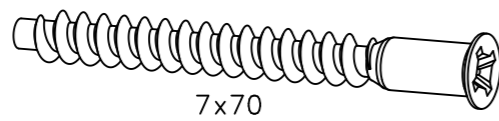
396

M2443

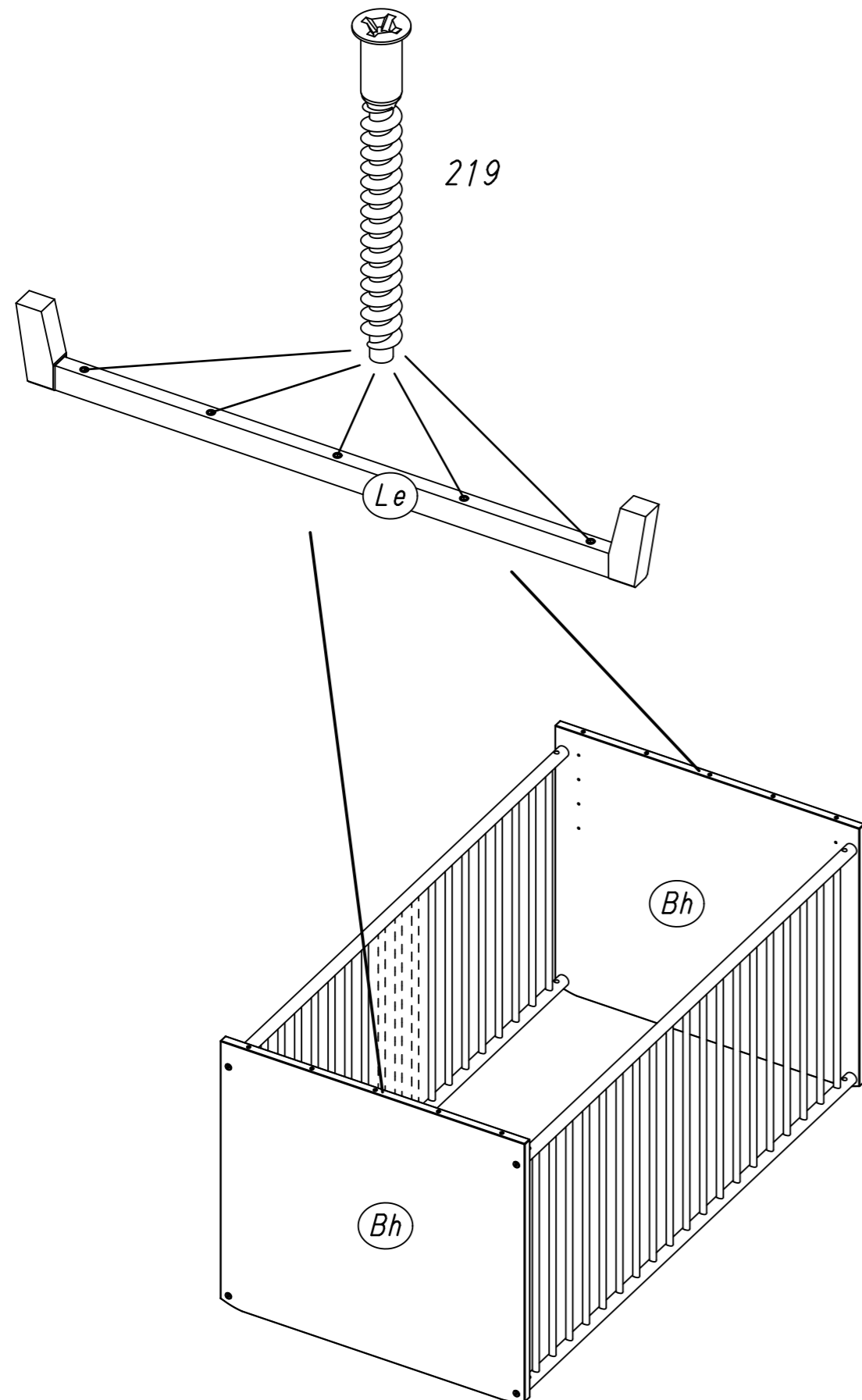
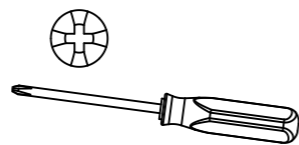
7.

4

10x 219



7x70

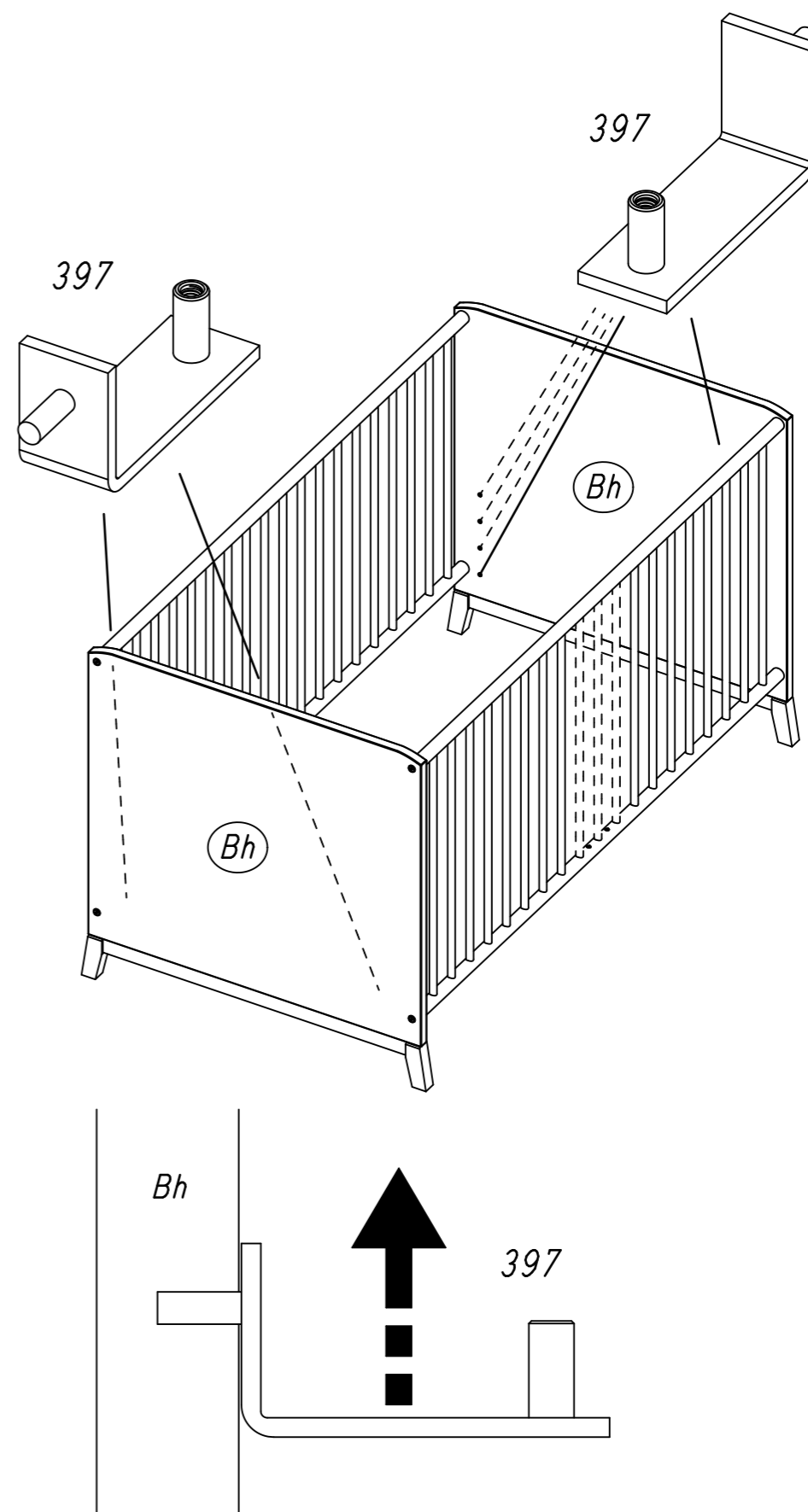
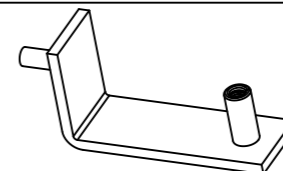


M2443

8.

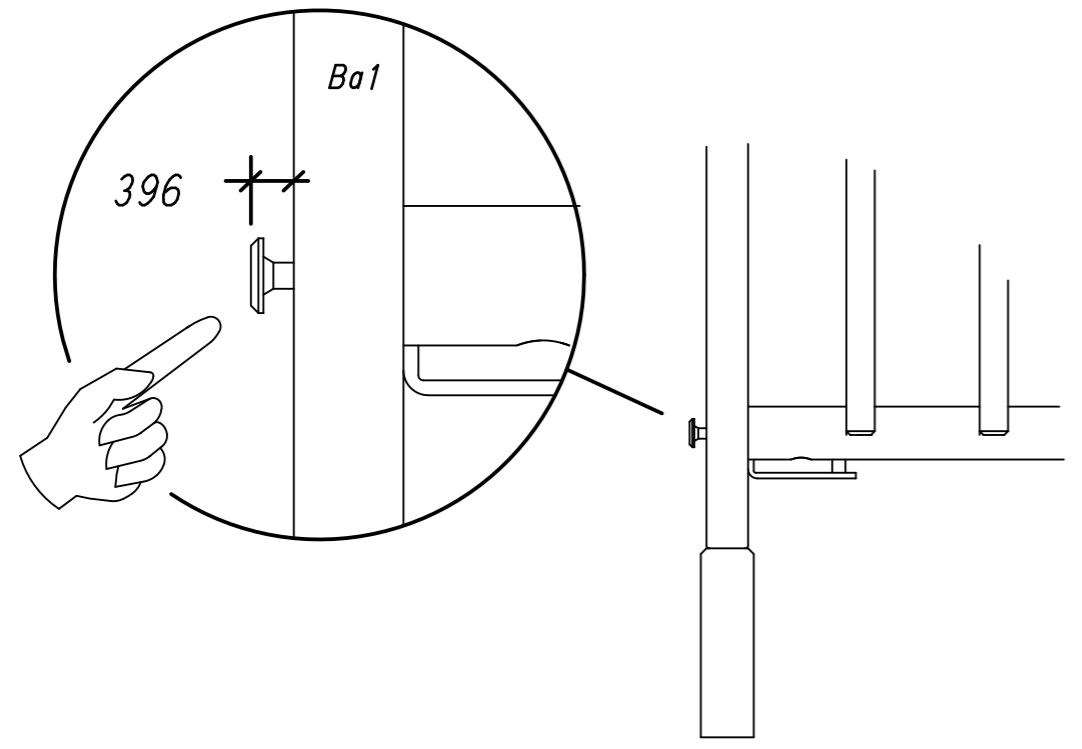
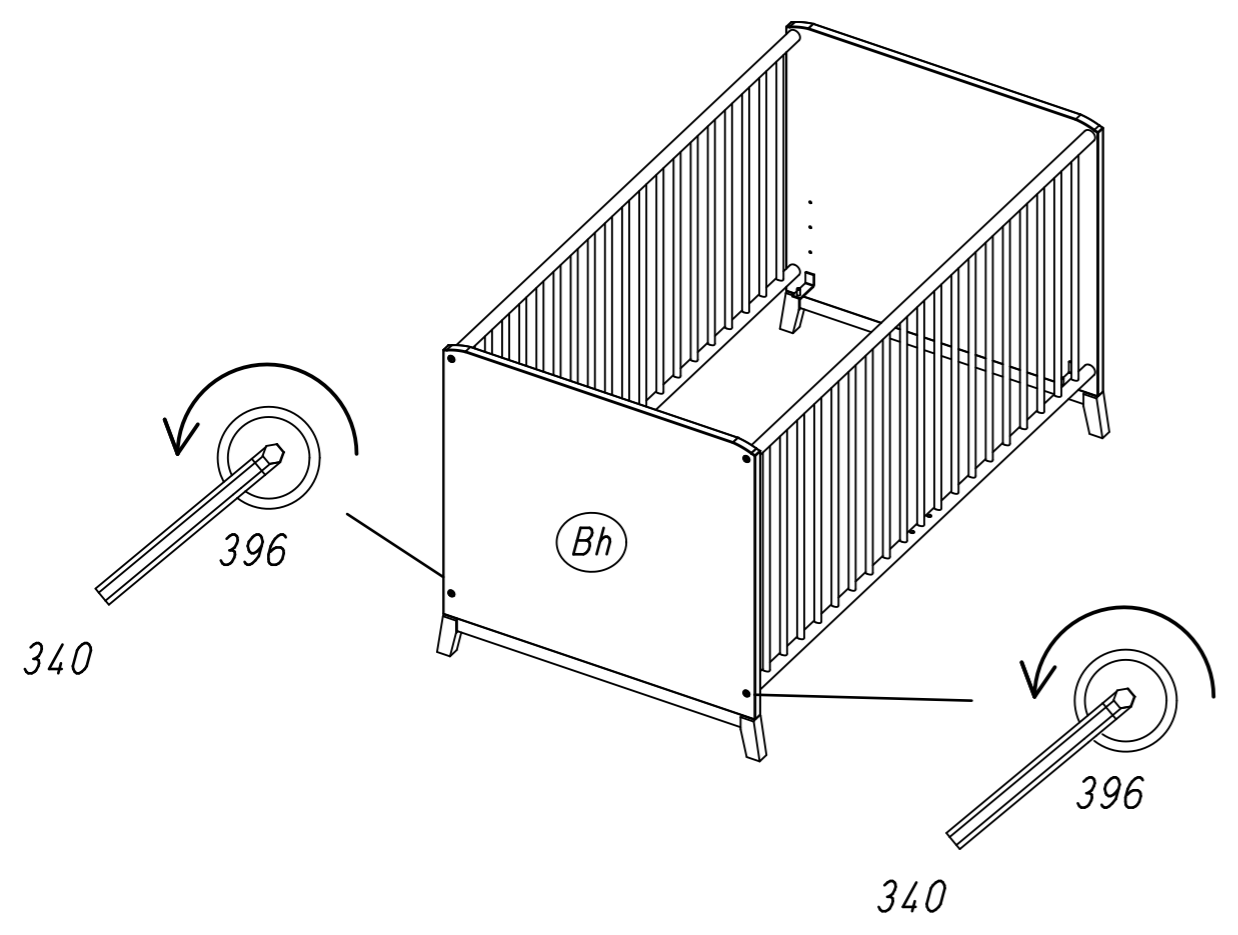
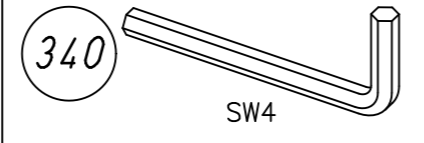
5

4x 397

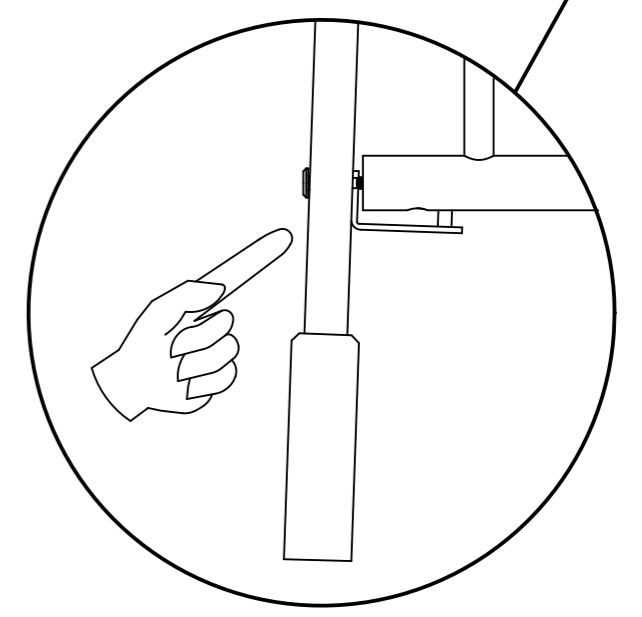
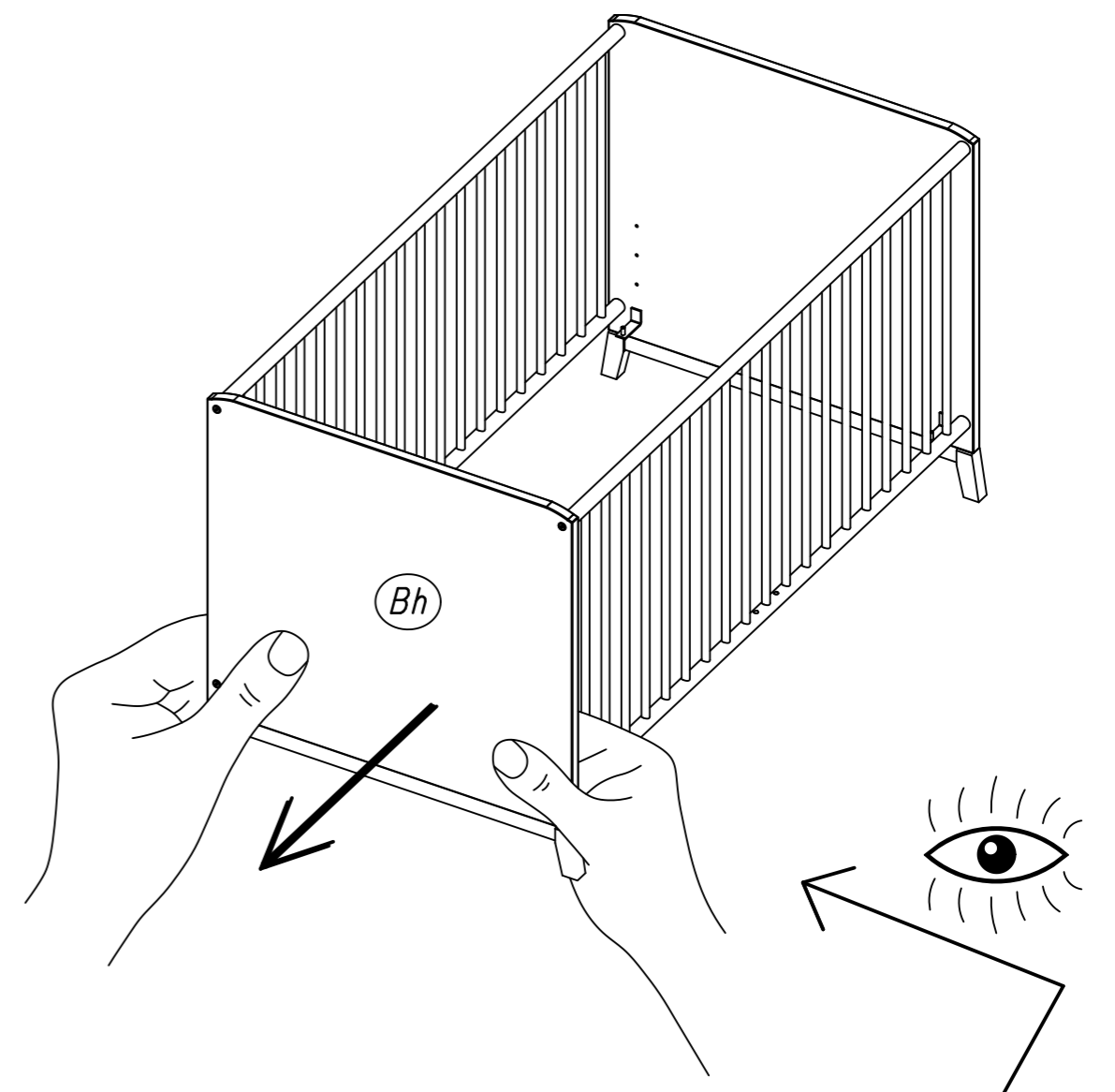


M2443

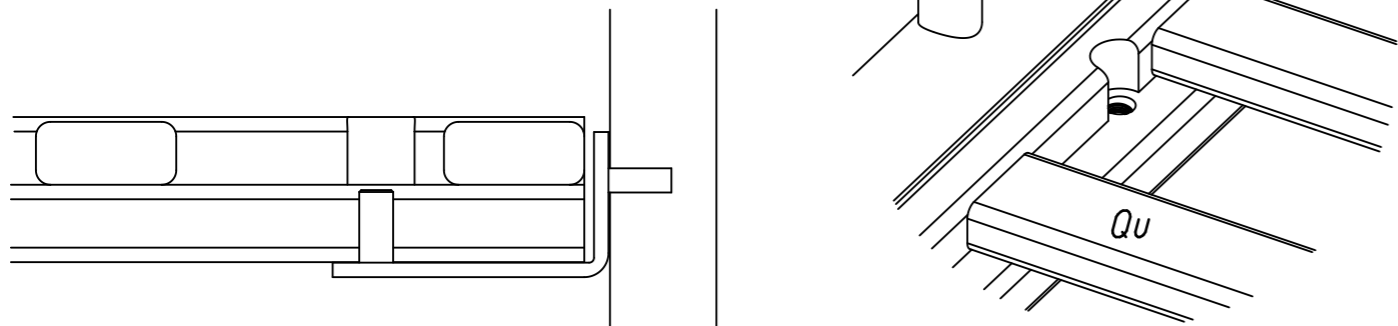
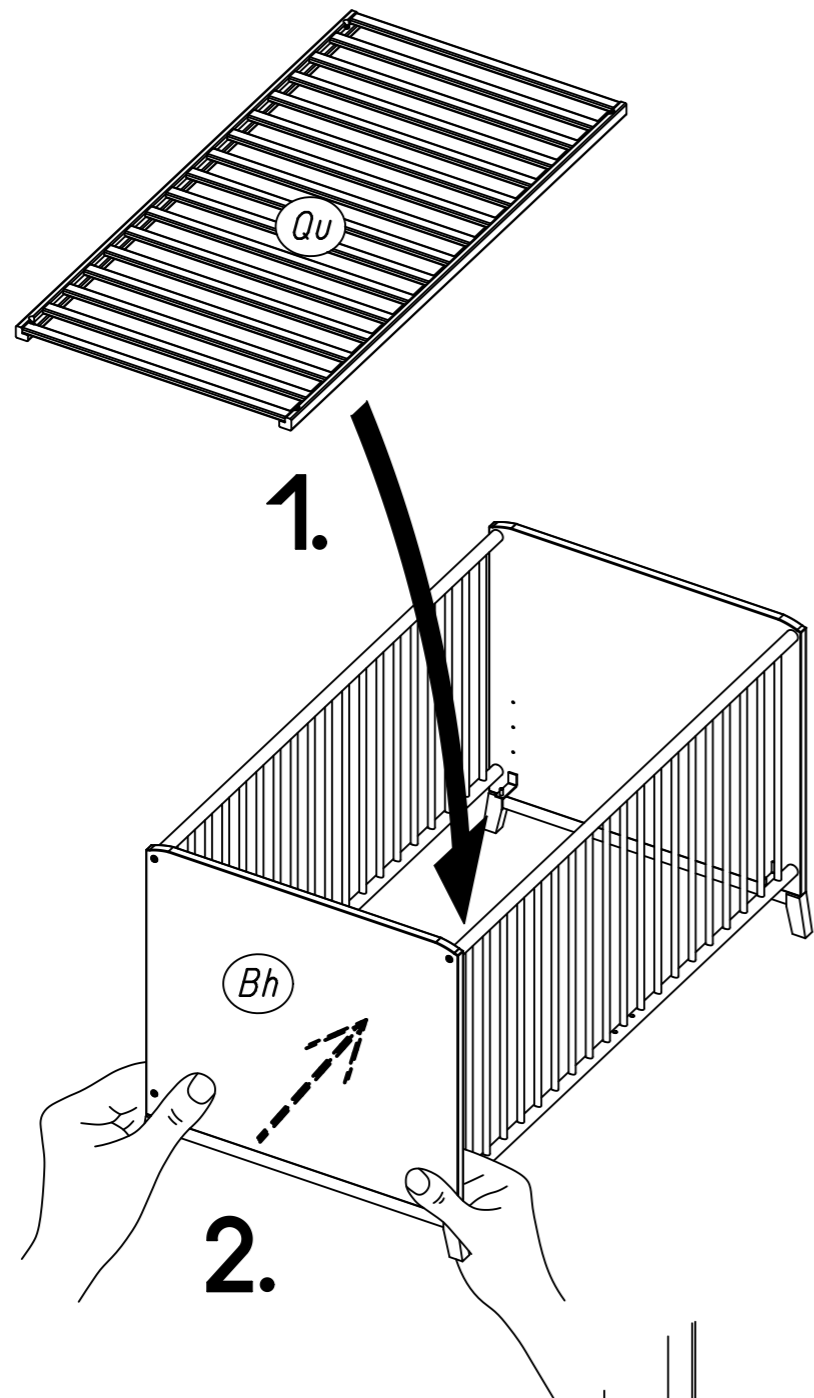
6



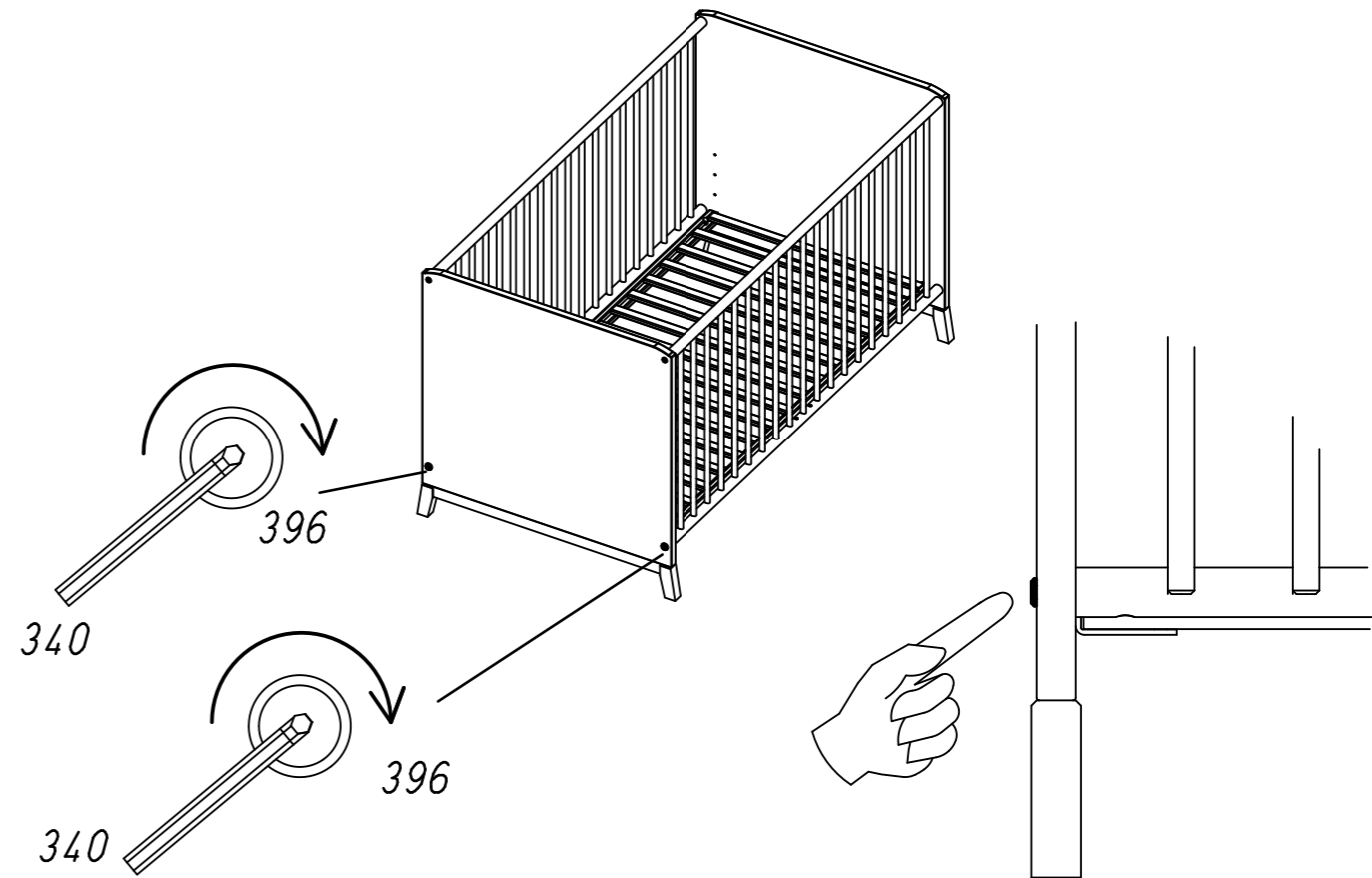
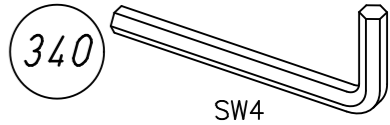
7



8



9



10

