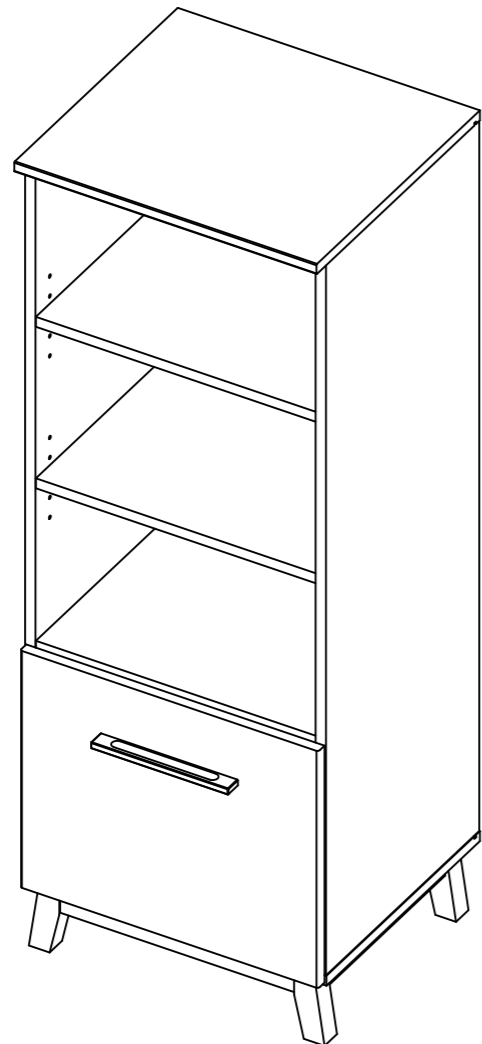
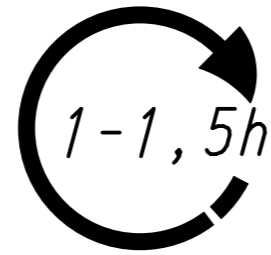
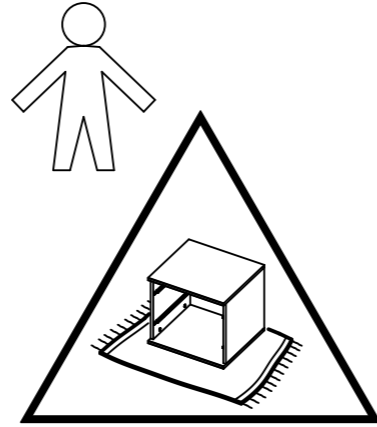
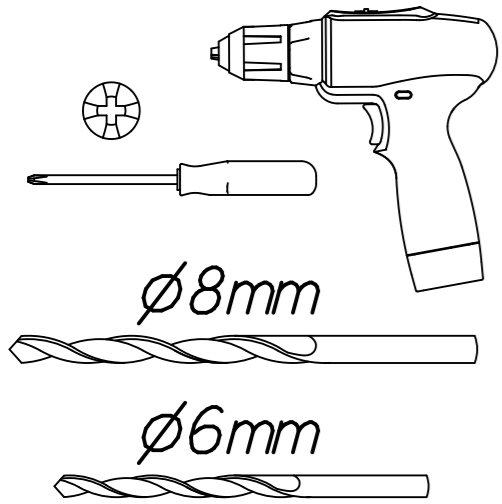


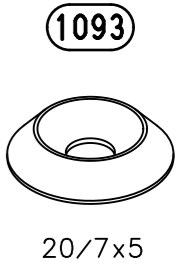
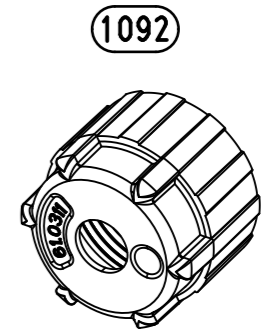
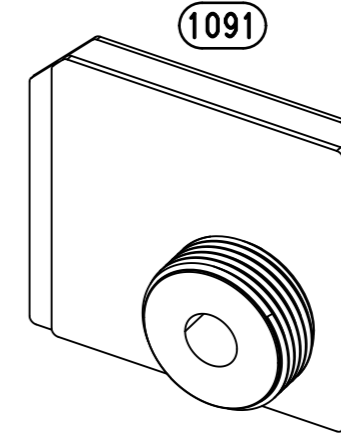
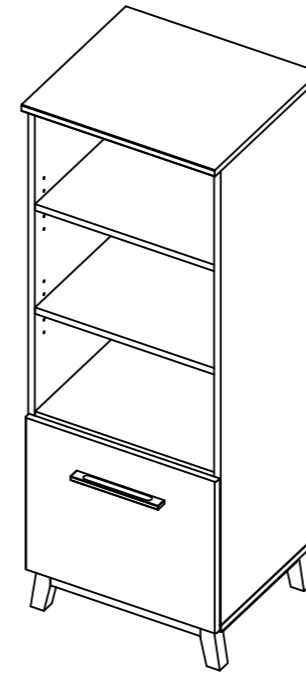
1.

M2432_03

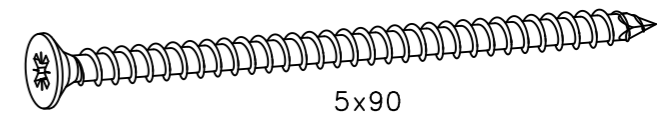


2.

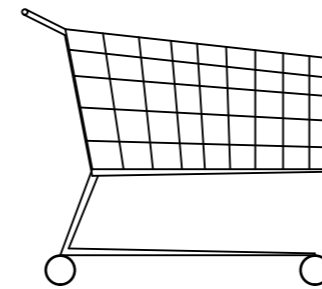
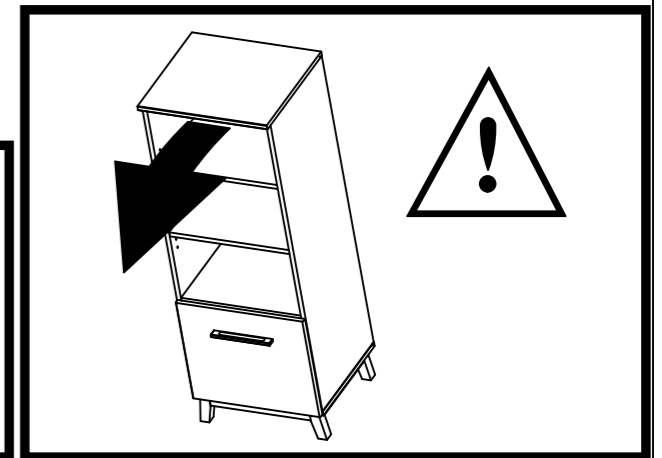
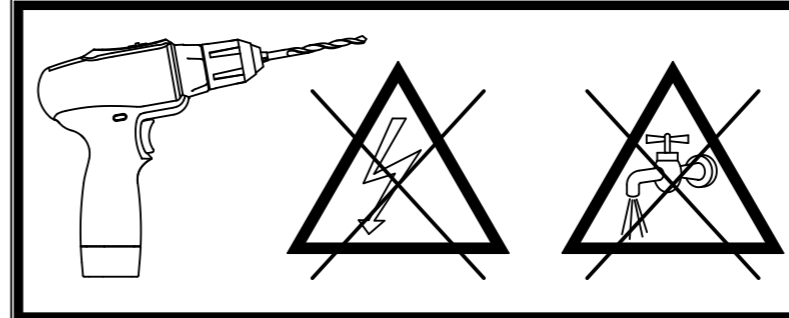
2x



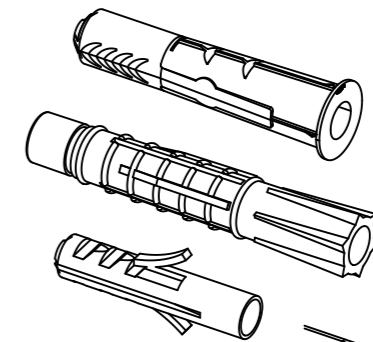
1147



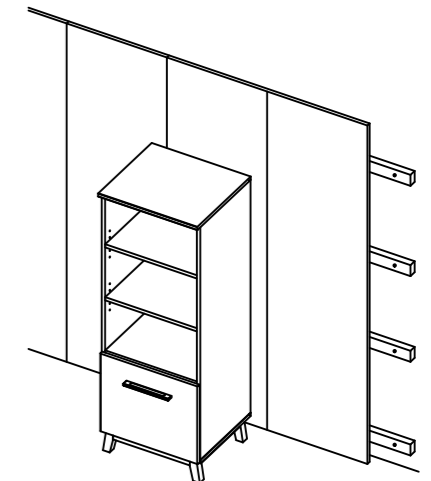
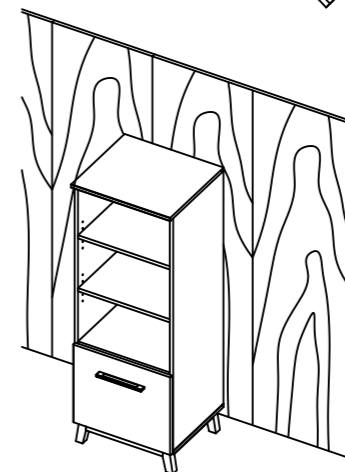
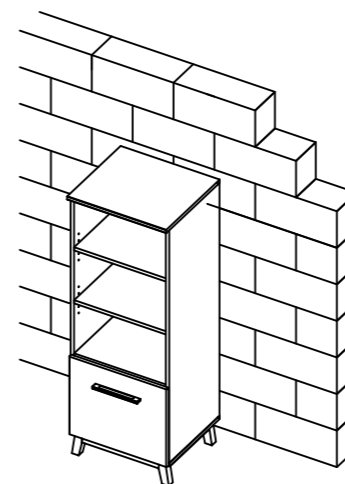
5x90

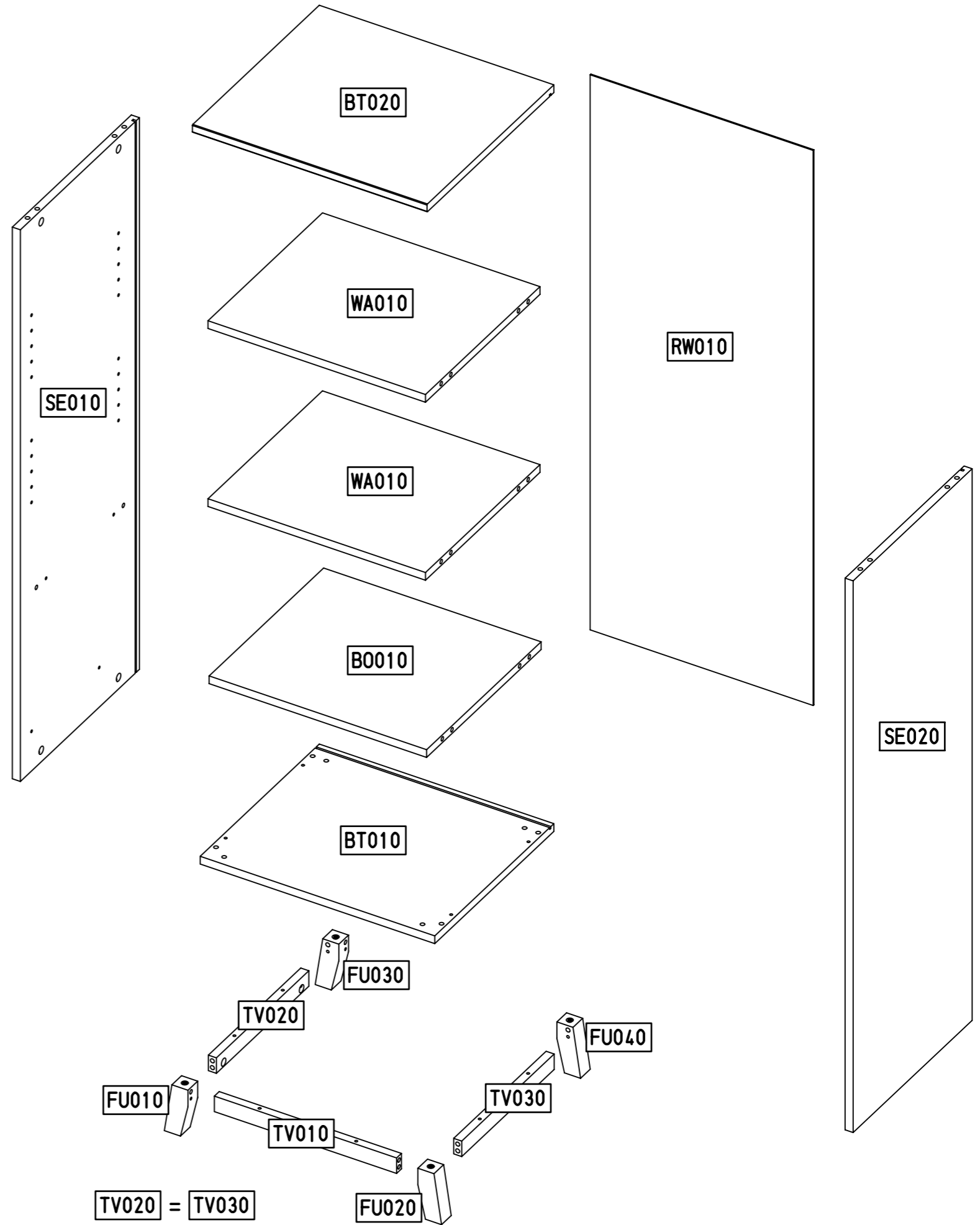
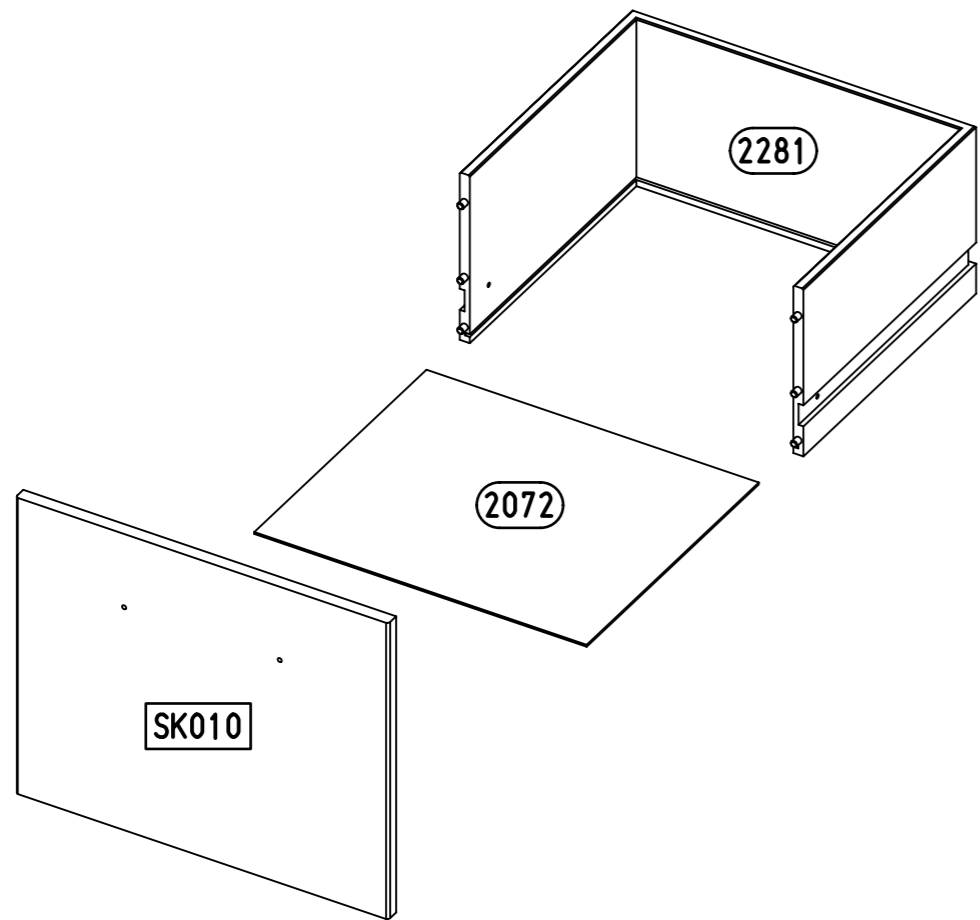


8mm

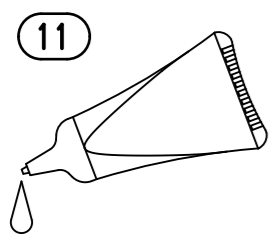
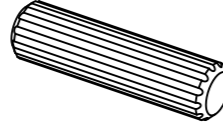
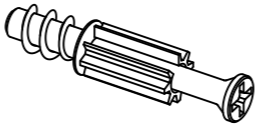
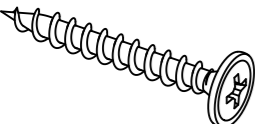
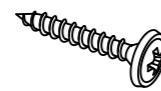

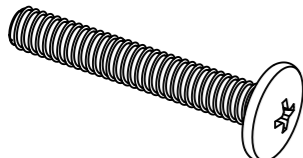
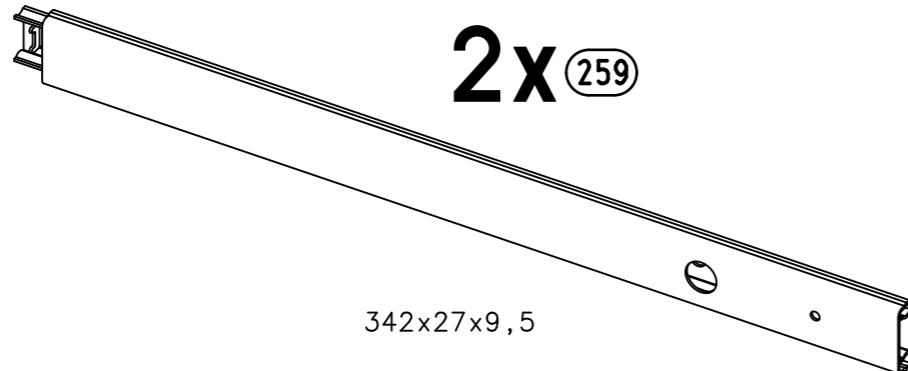


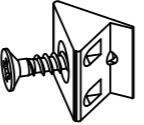
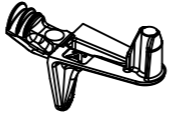
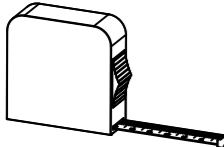
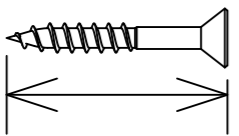
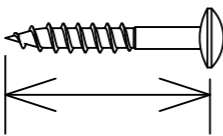
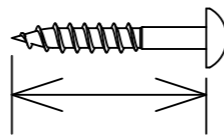


?



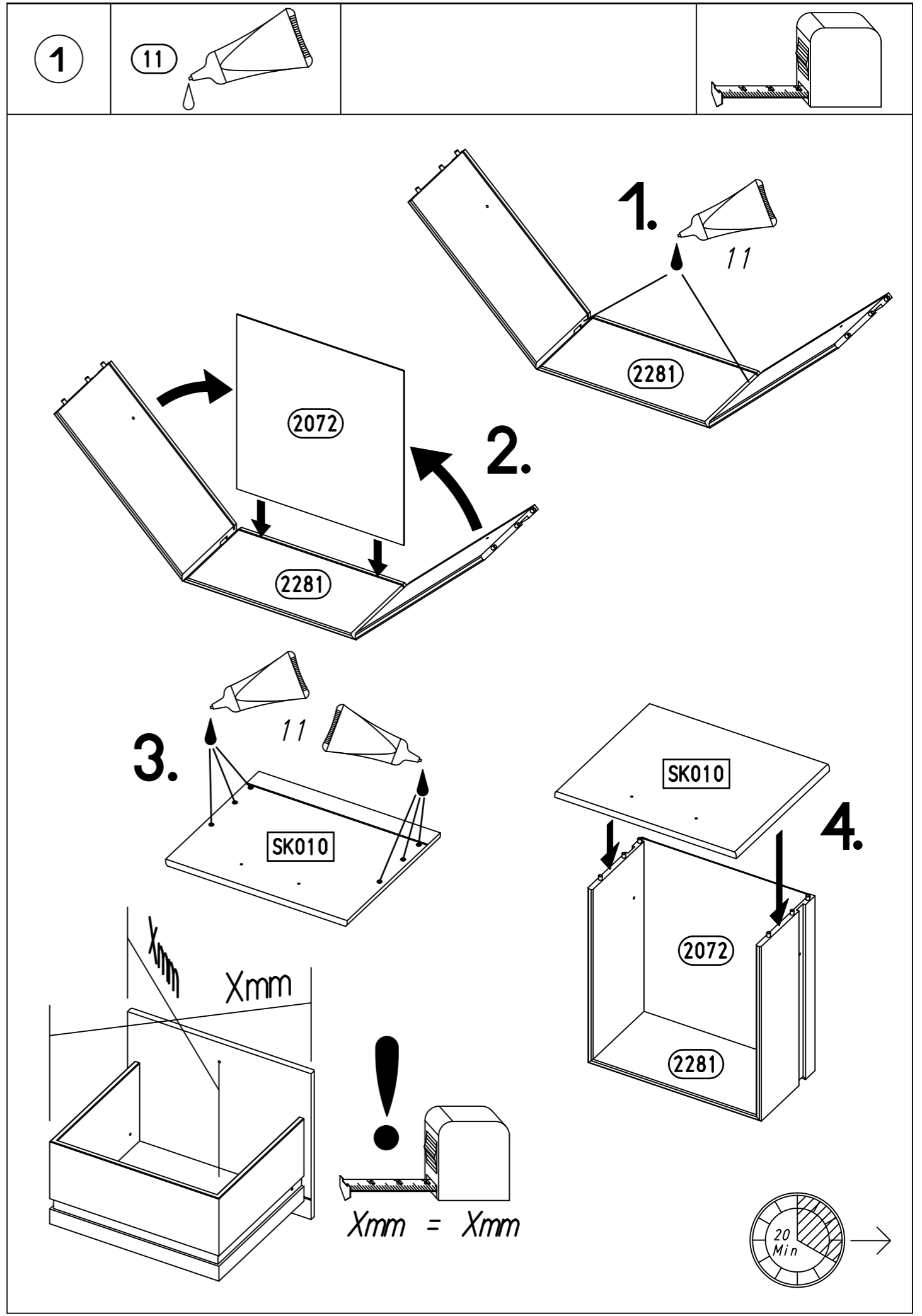


5.

 <p>(11)</p>	<p>18x (18)</p>  <p>8x30</p>	<p>18x (183)</p>  <p>23/10x7,5</p>	
<p>6x (214)</p>  <p>4,5x35</p>	<p>3x (215)</p>  <p>3x20</p>	<p>4x (227)</p>  <p>6x10,5</p>	
<p>4x (245)</p>  <p>M6x40</p>	<p>2x (259)</p>  <p>342x27x9,5</p>		
<p>18x (349)</p> 	<p>2x (568)</p>  <p>M4x9</p>	<p>6x (45)</p> 	<p>8x (1105)</p> 
   			

M2432

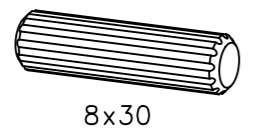
6.



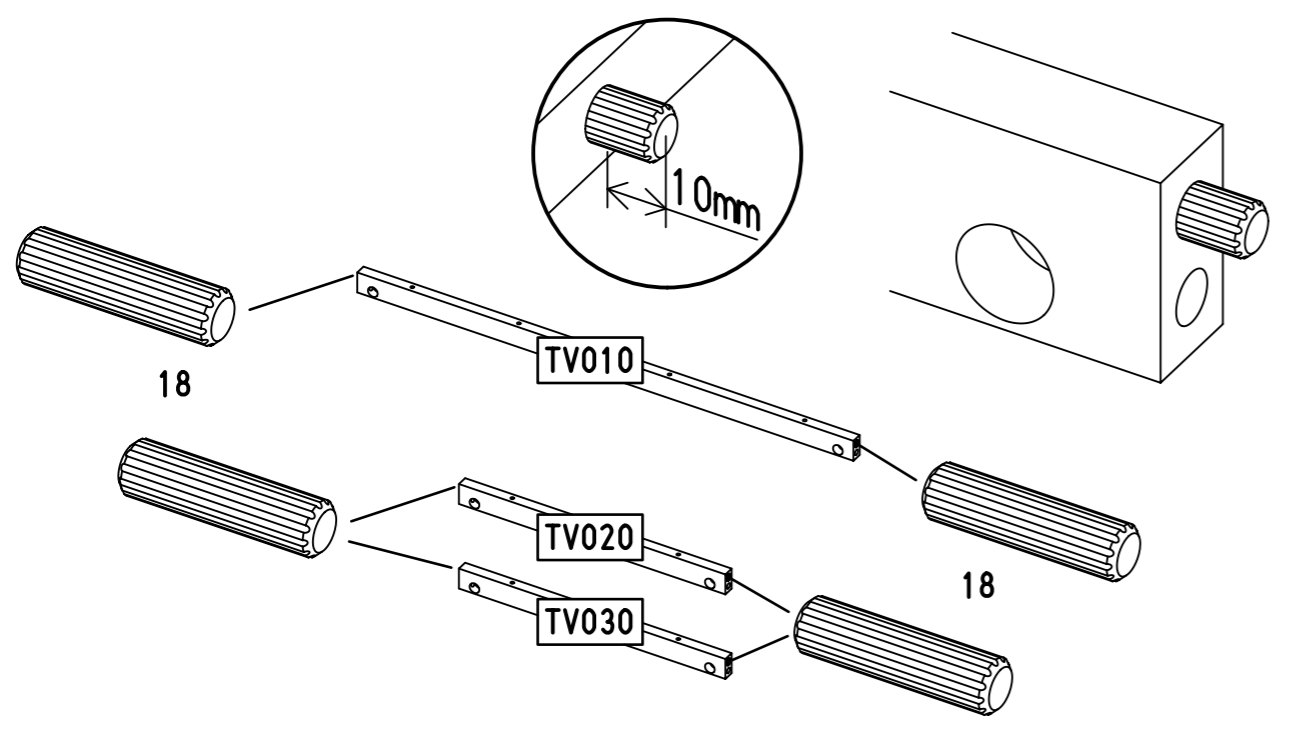
M2432

2

6x 18

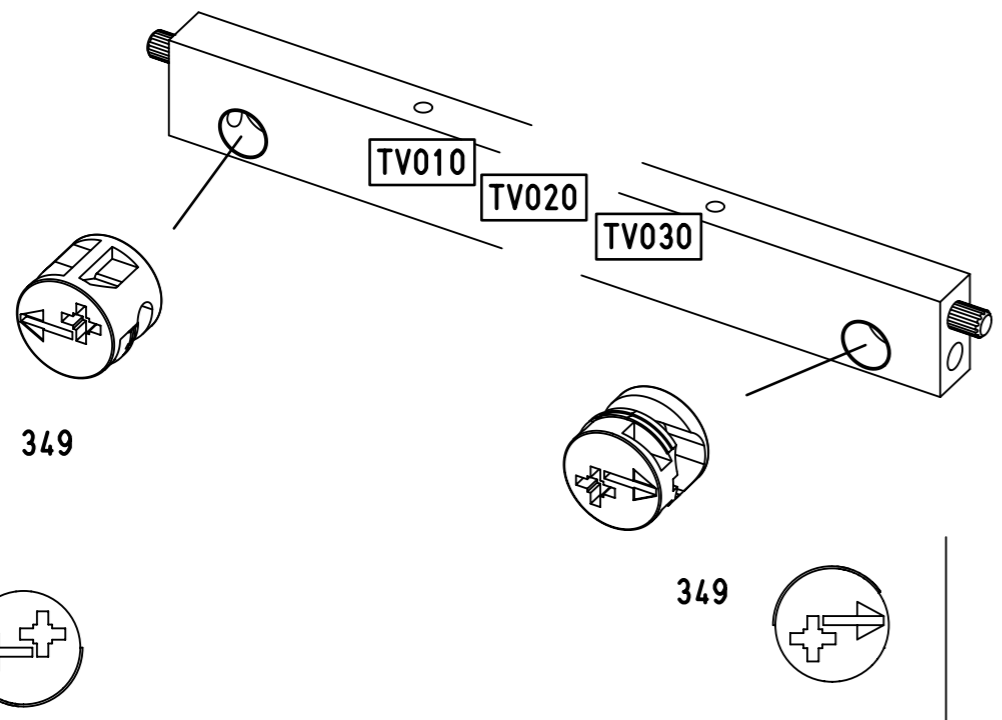
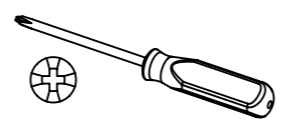
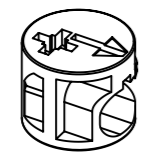


8x30



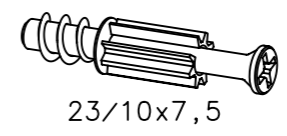
3

6x 349

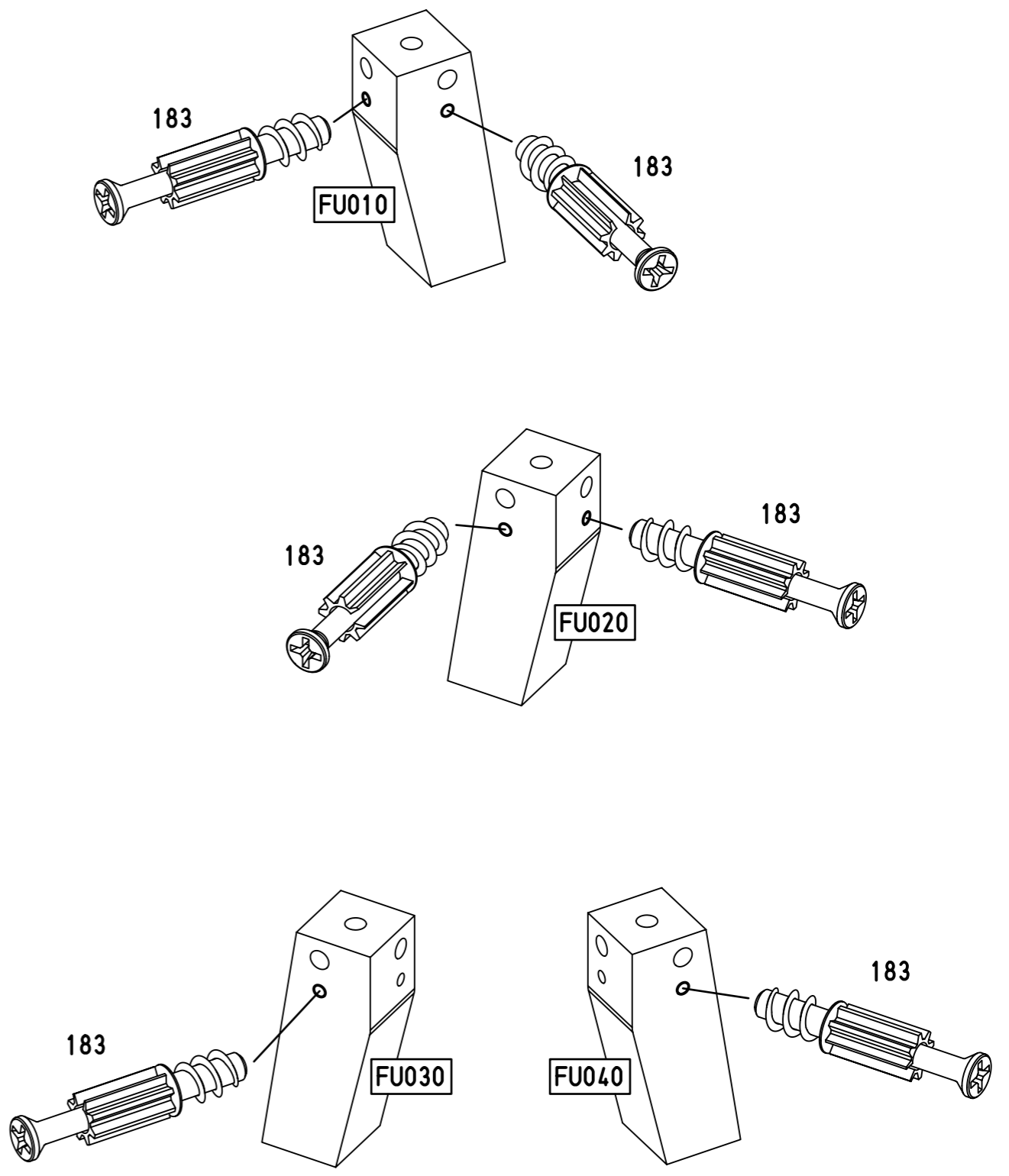
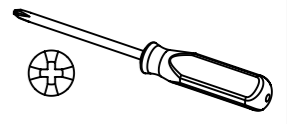


4

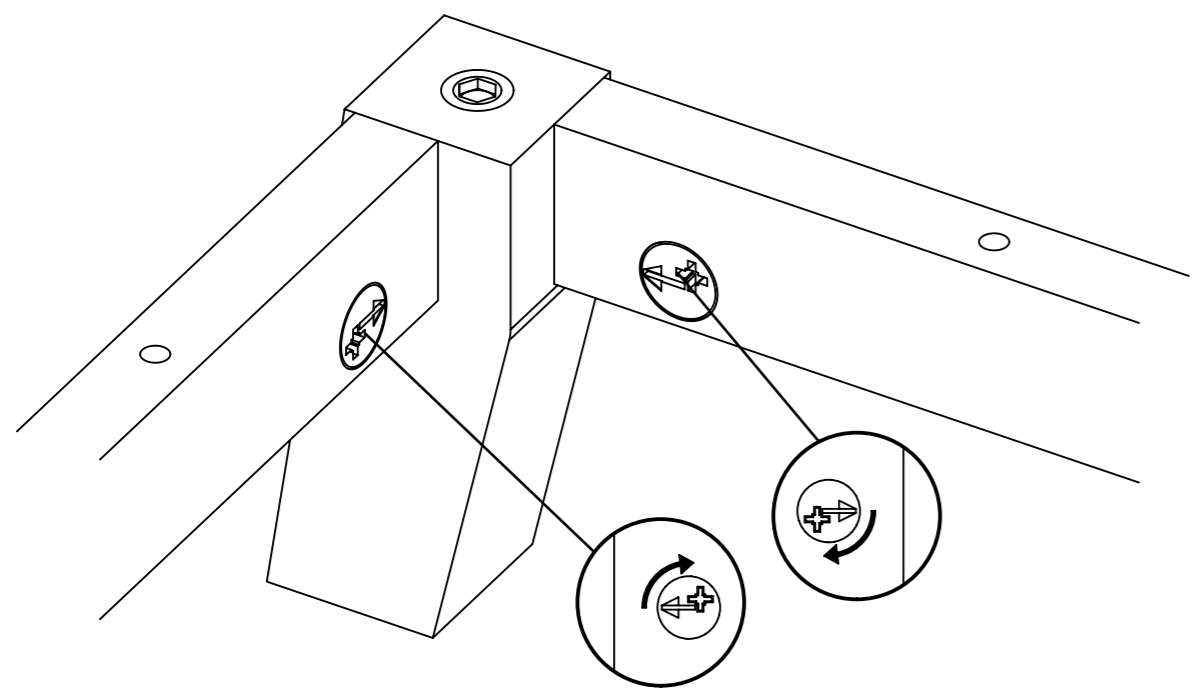
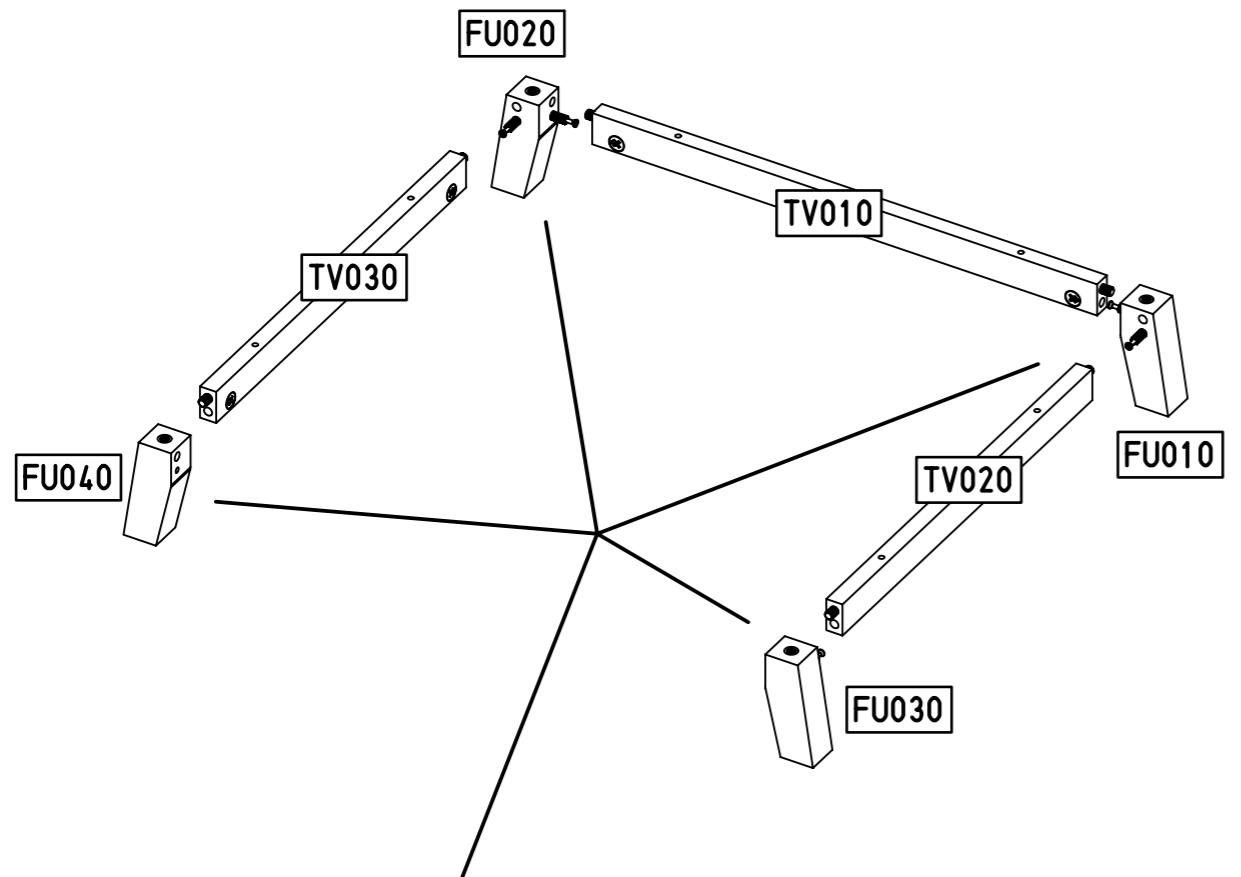
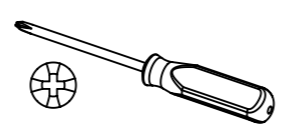
6x 183



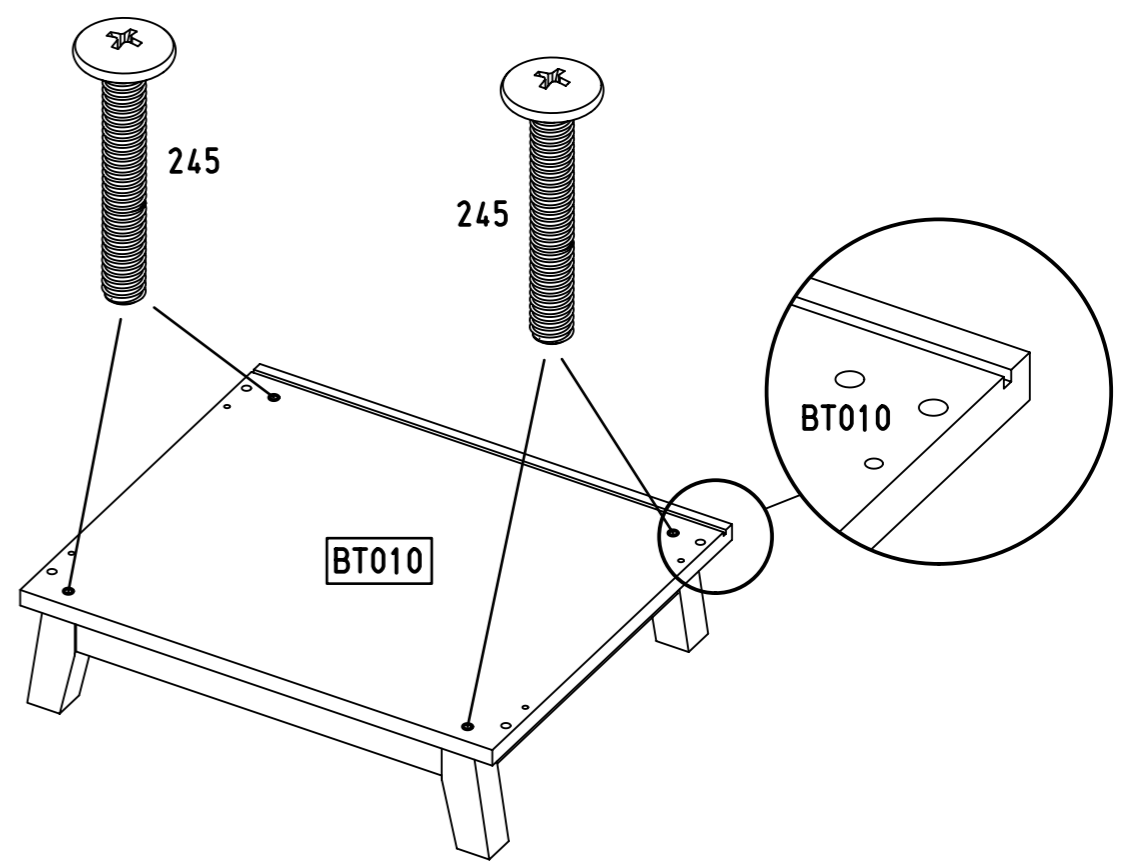
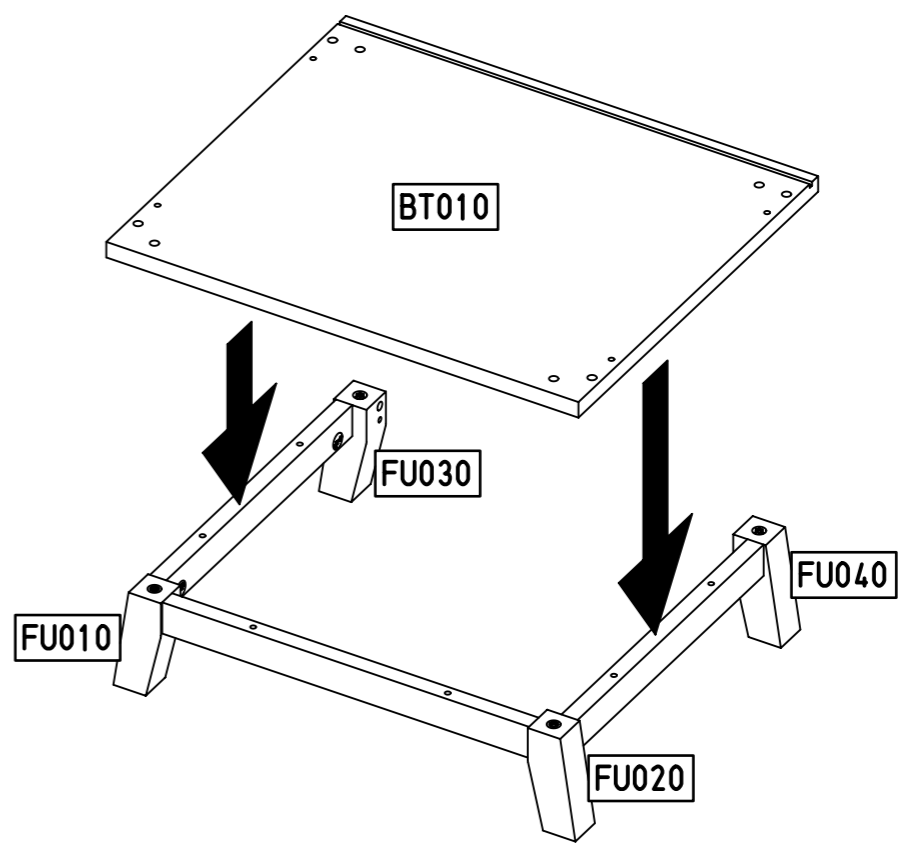
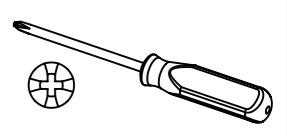
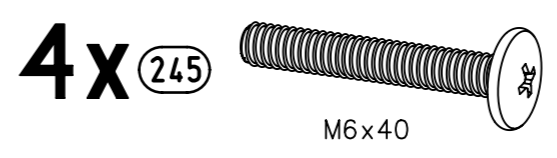
23/10x7,5



5

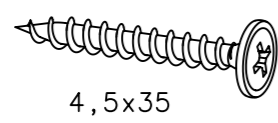


6

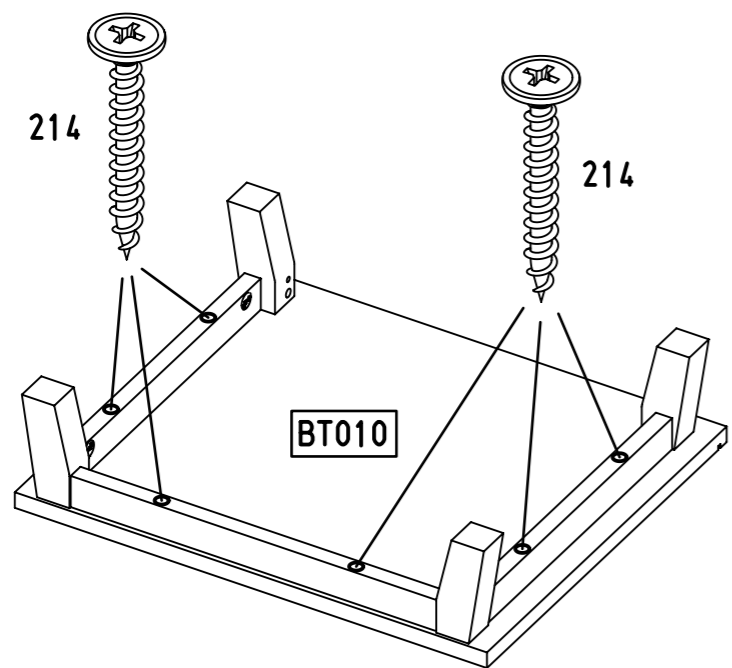
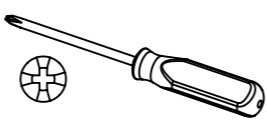


7

6x 214

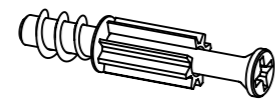


4,5x35

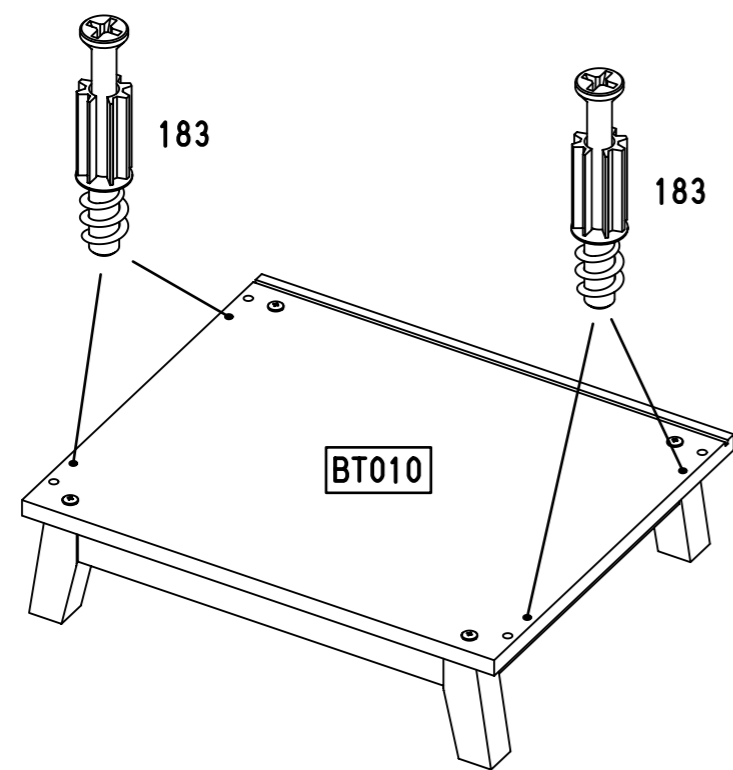
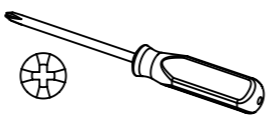


8

4x 183

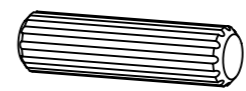


23/10x7,5

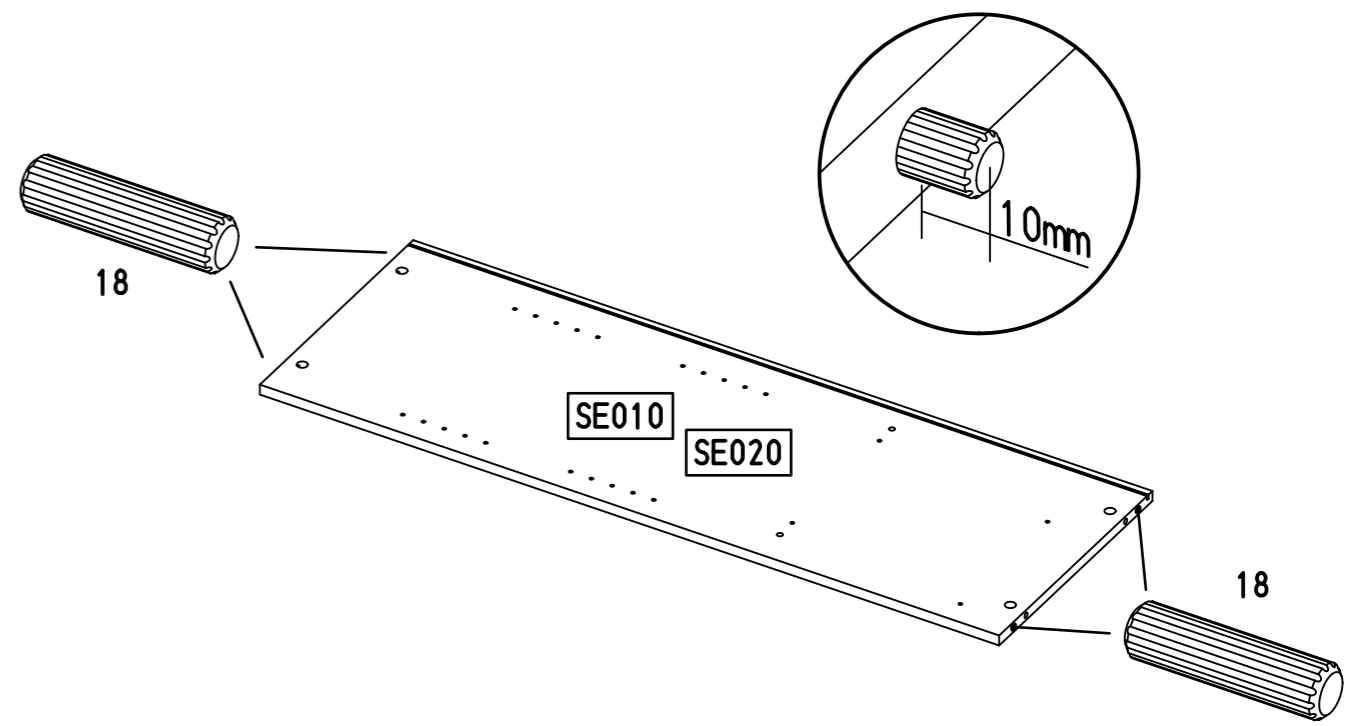


9

8x 18

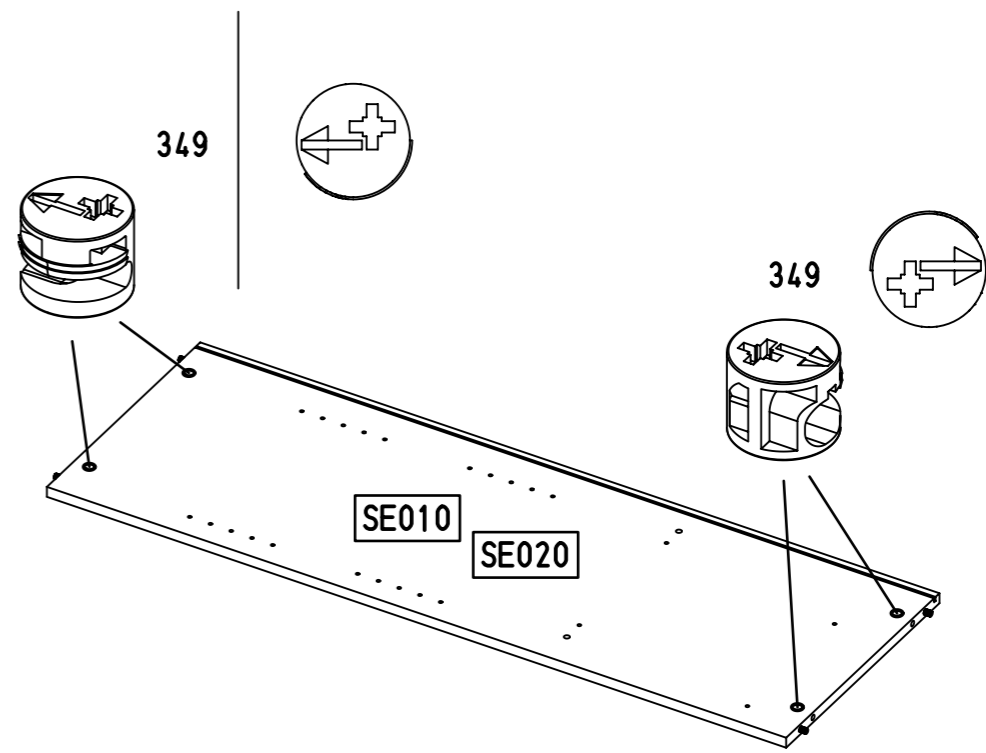
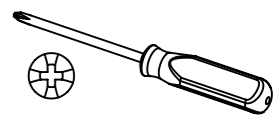
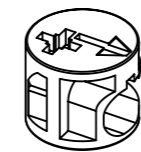


8x30



10

8x 349



13.

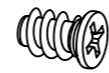
11

1x 259

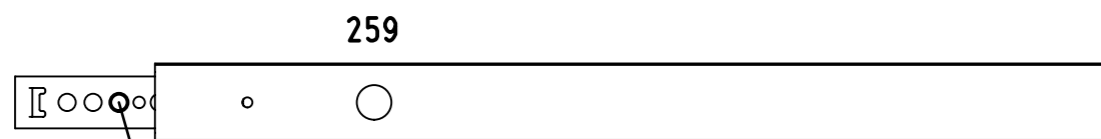
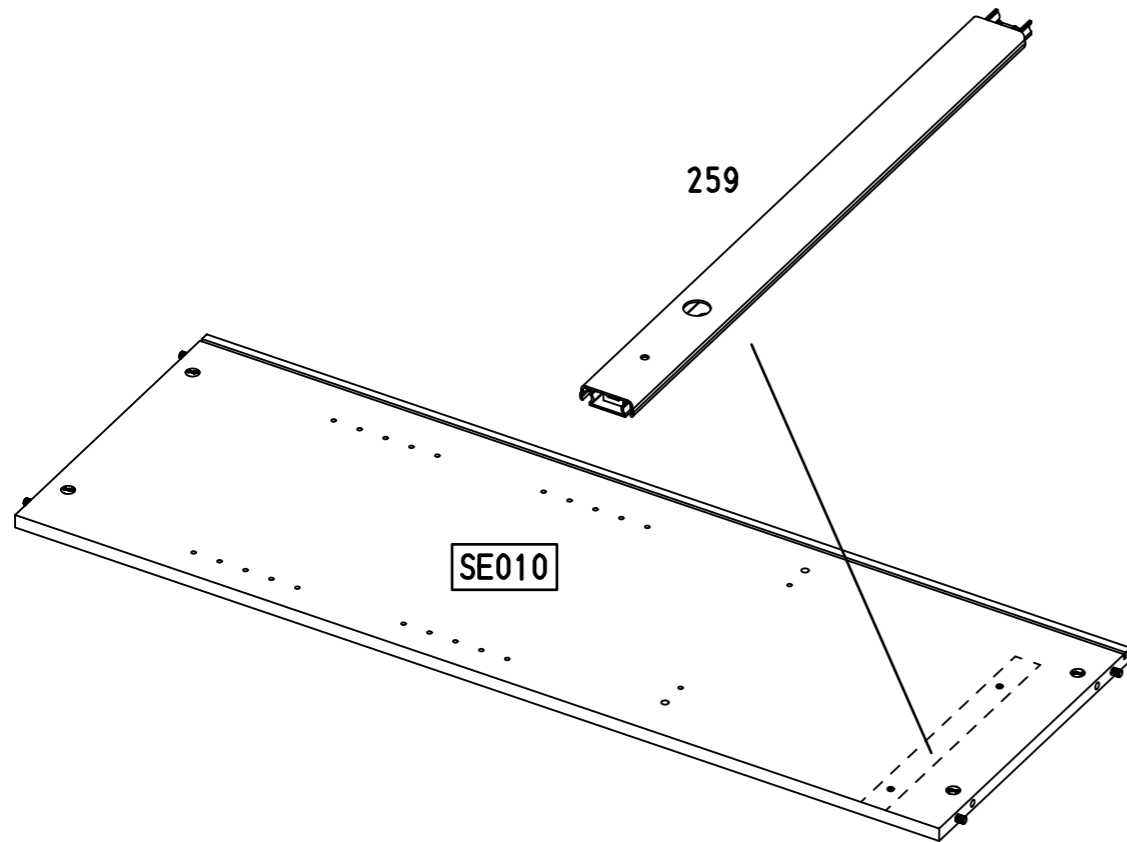
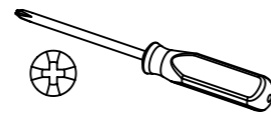


342x27x9,5

2x 227



6x10,5



1. 227



2. 227

14.

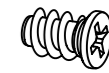
12

1x 259

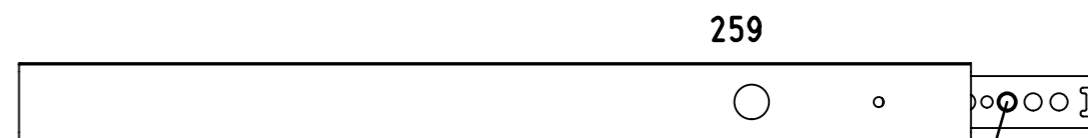
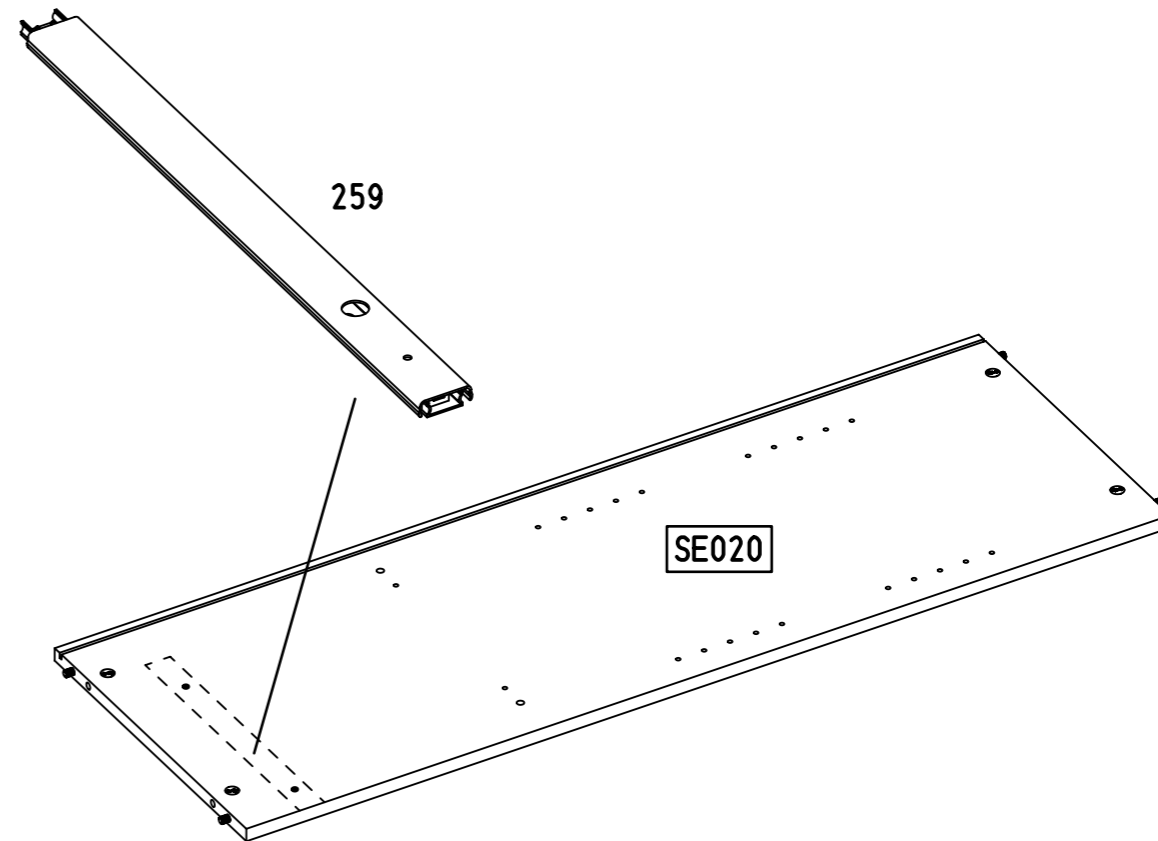
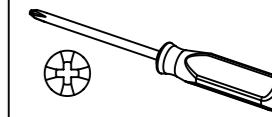


342x27x9,5

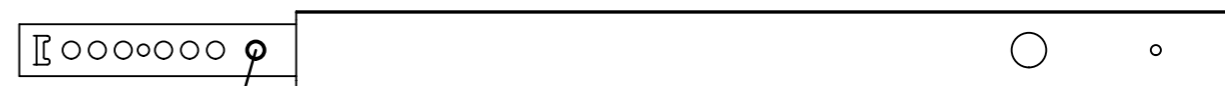
2x 227



6x10,5



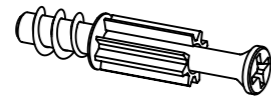
1. 227



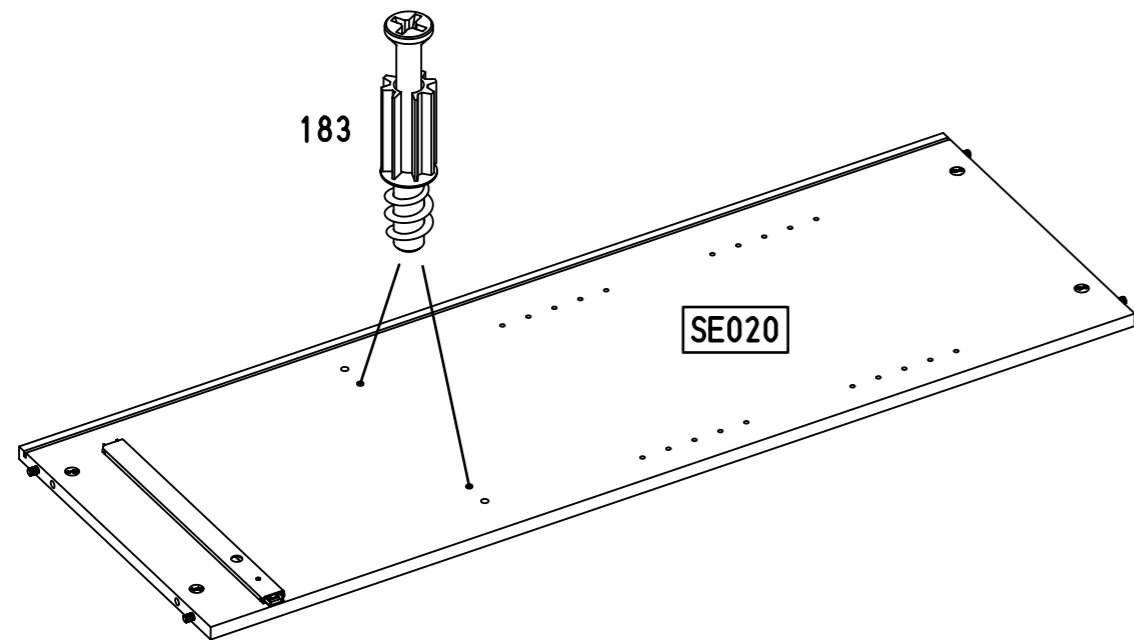
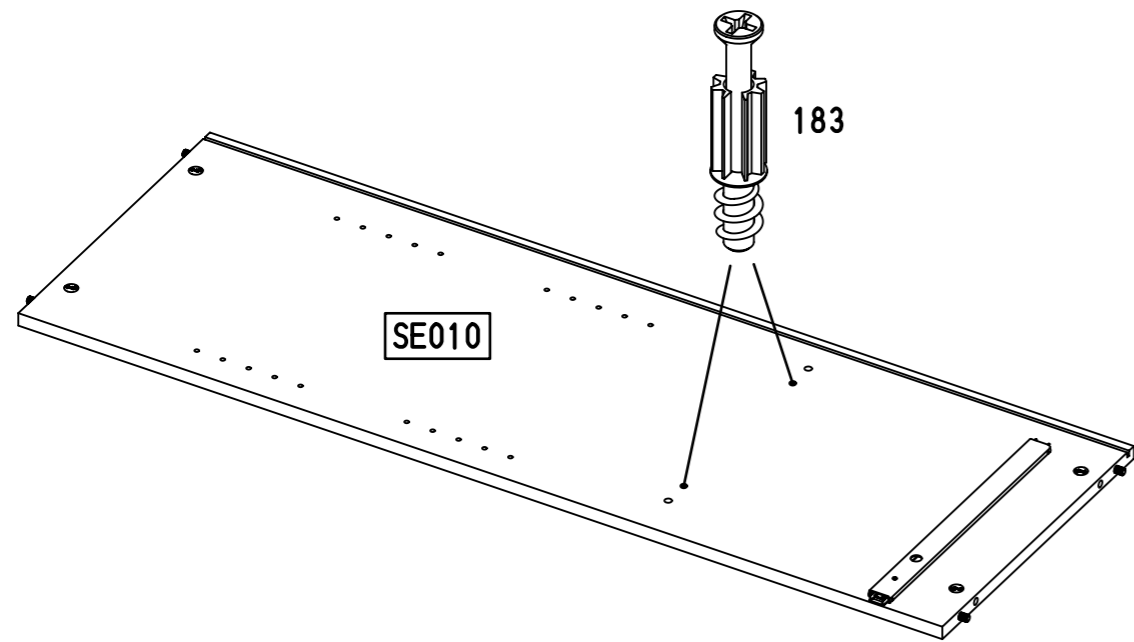
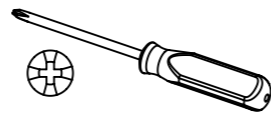
2. 227

13

4x 183

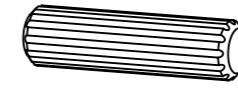


23/10x7,5

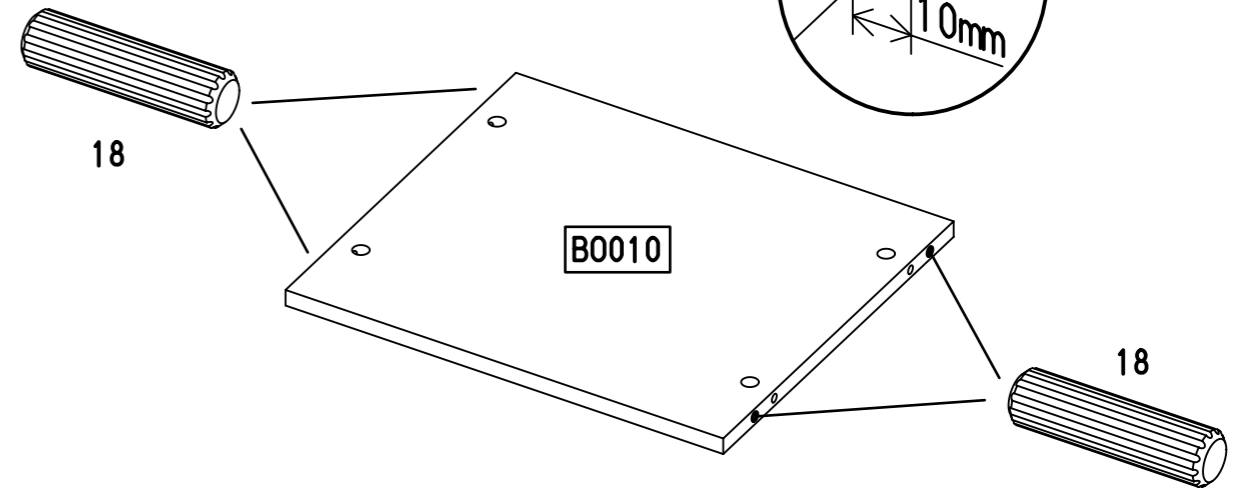
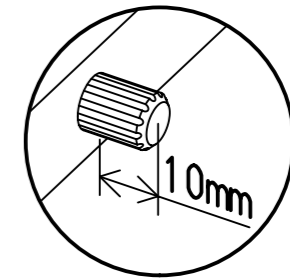


14

4x 18

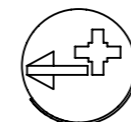
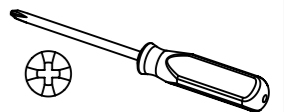
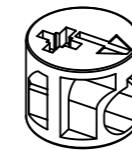


8x30

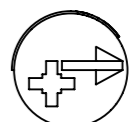


15

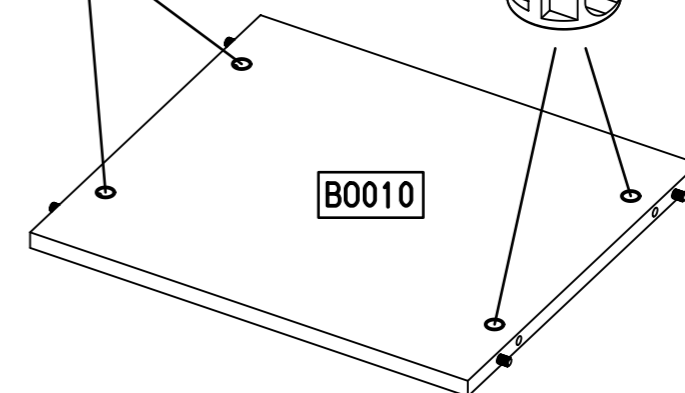
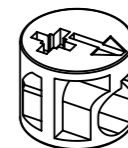
4x 349



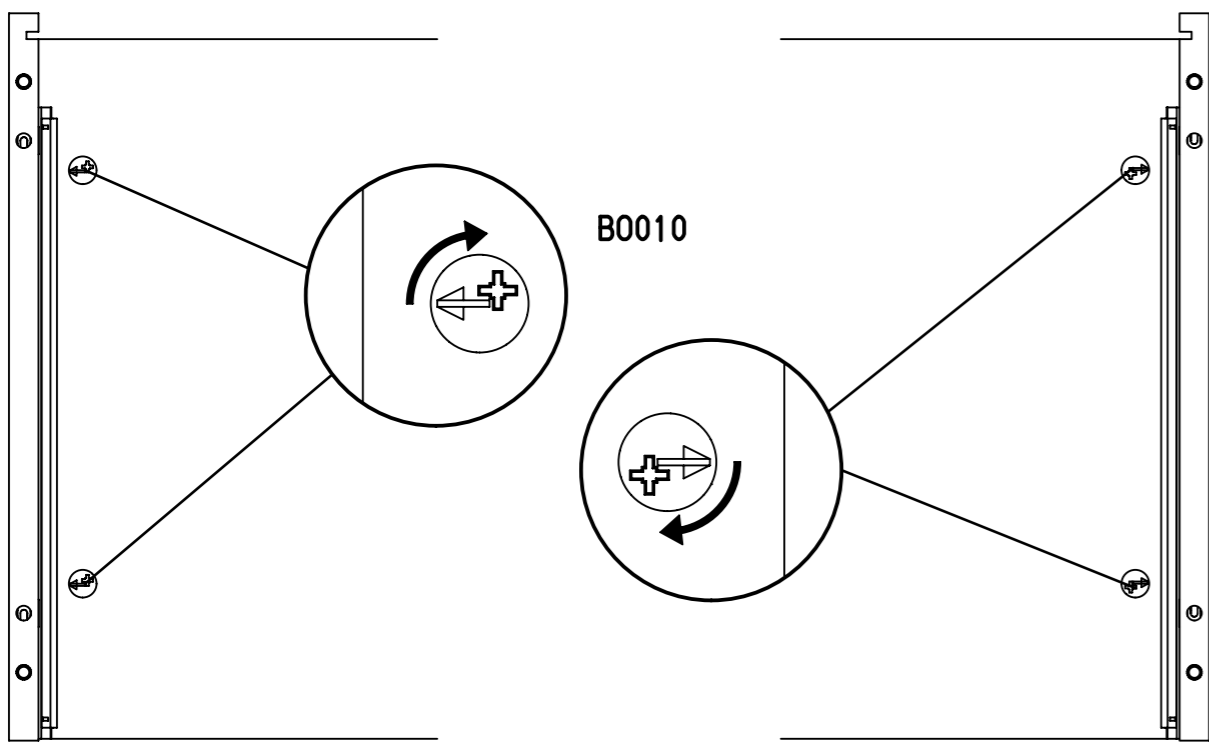
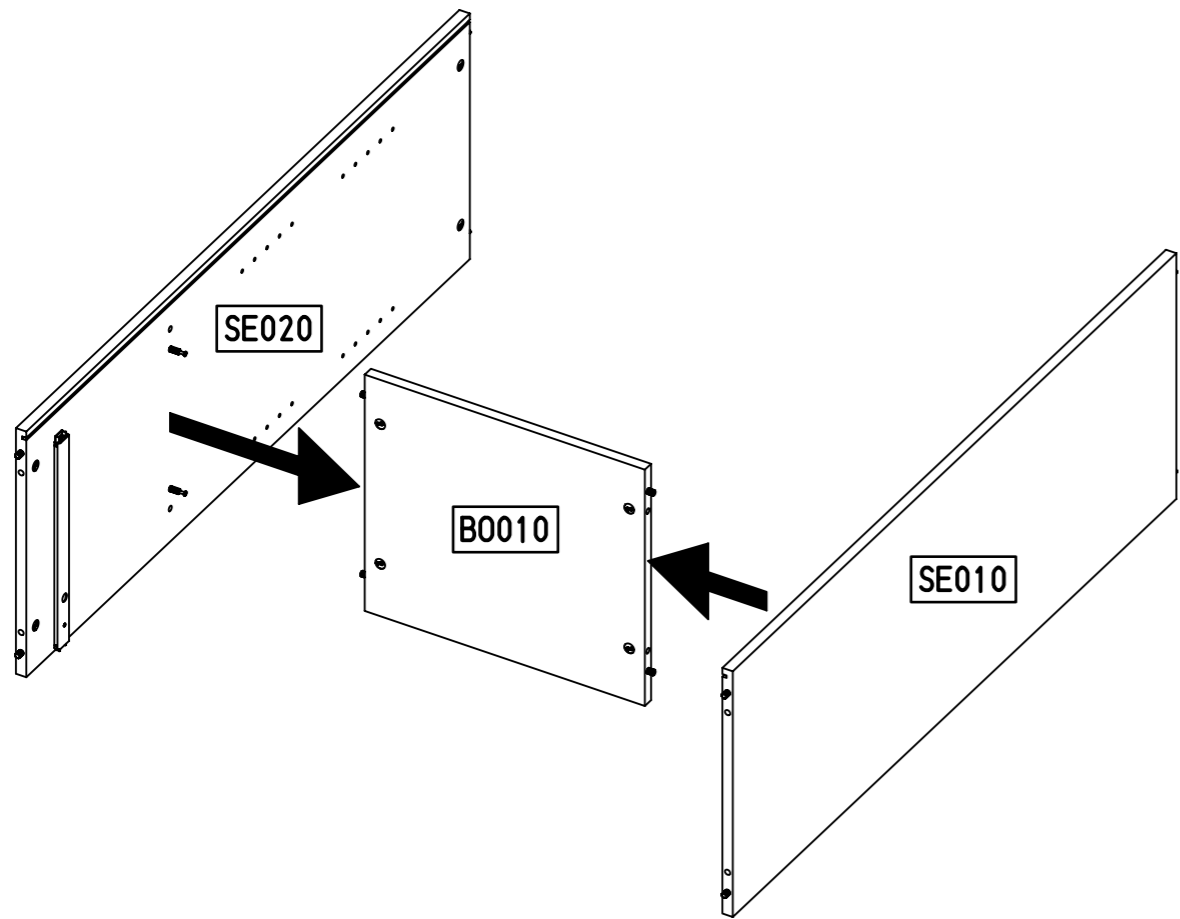
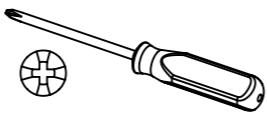
349



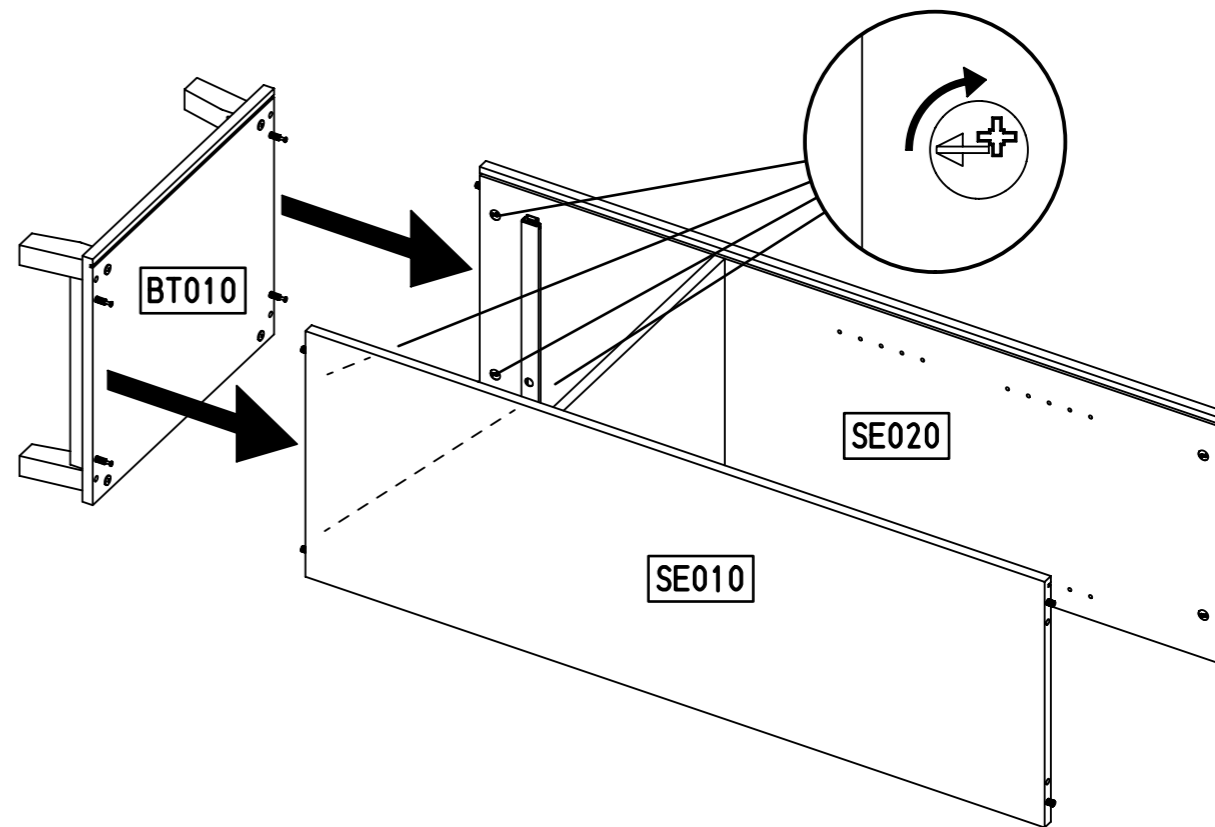
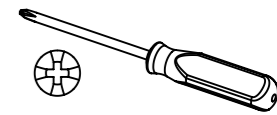
349



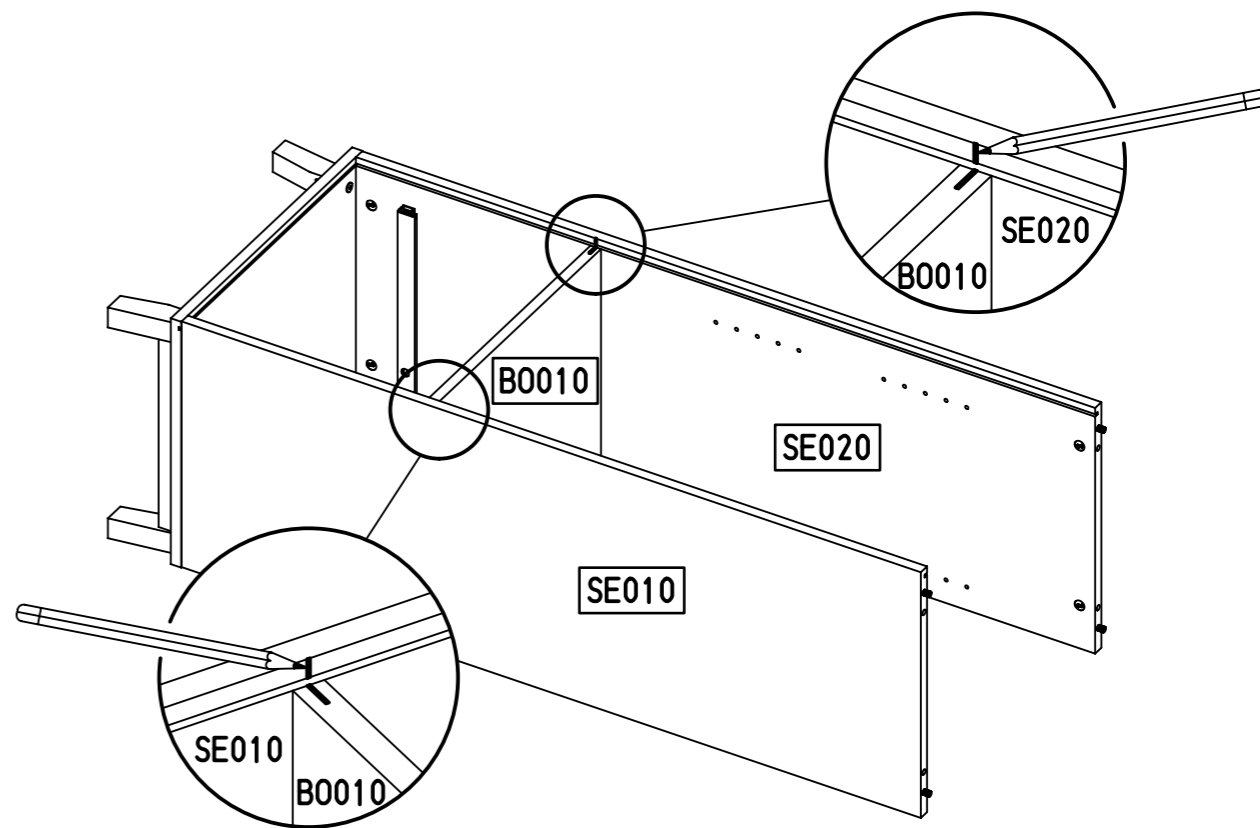
16



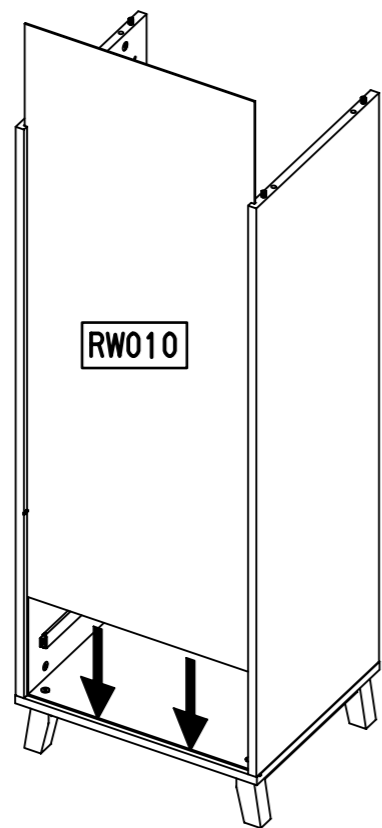
17



18

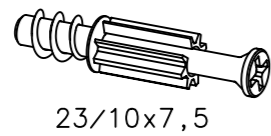


19

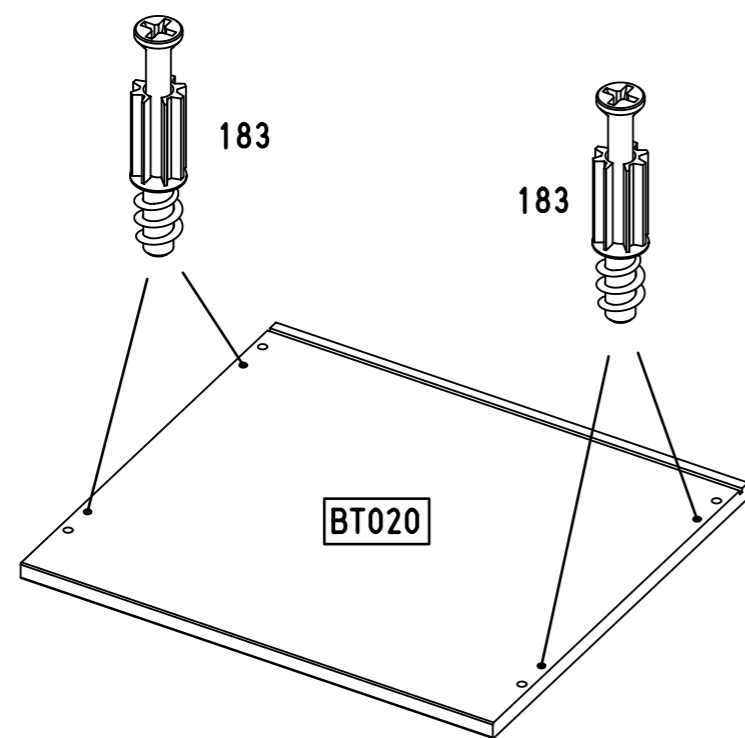
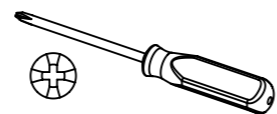


20

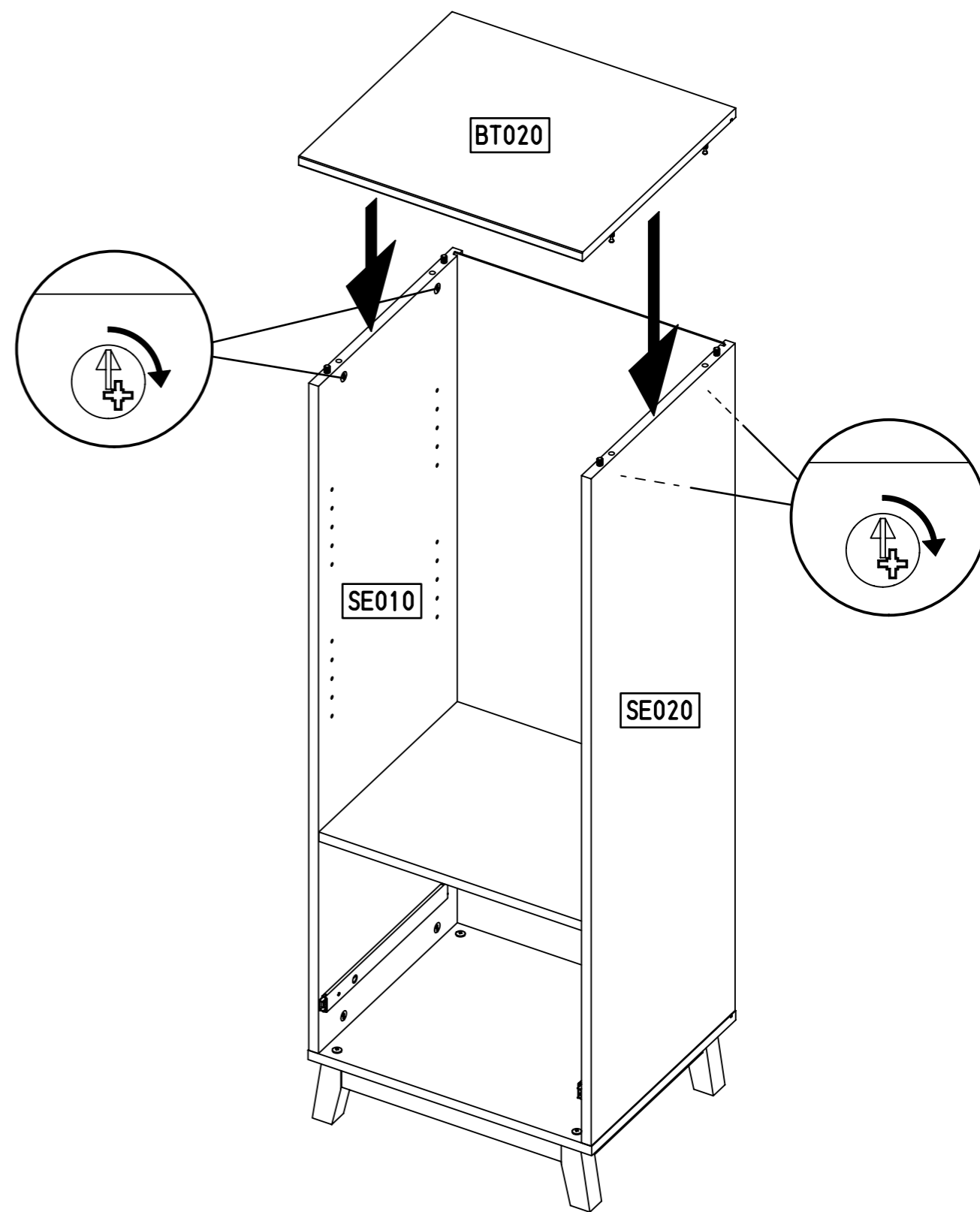
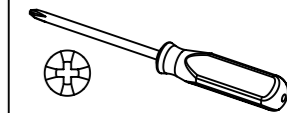
4x 183



23/10x7,5

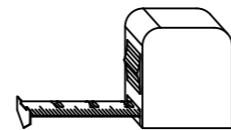
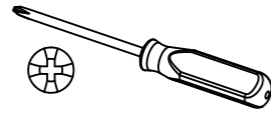
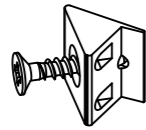


21

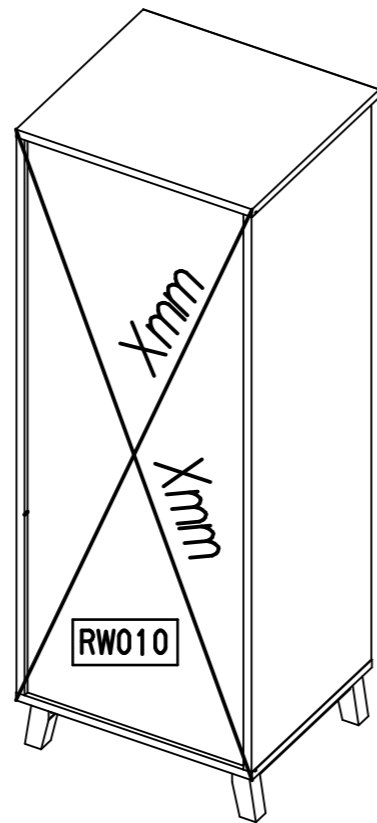
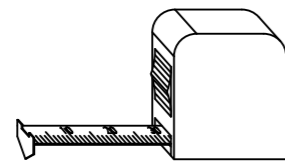


22

6x 45



Xmm = Xmm



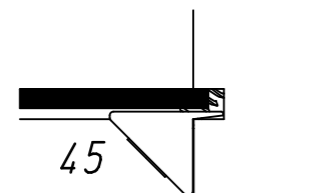
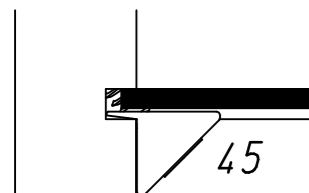
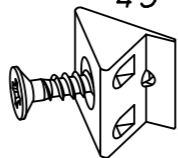
RW010

45



RW010

45

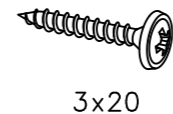


45

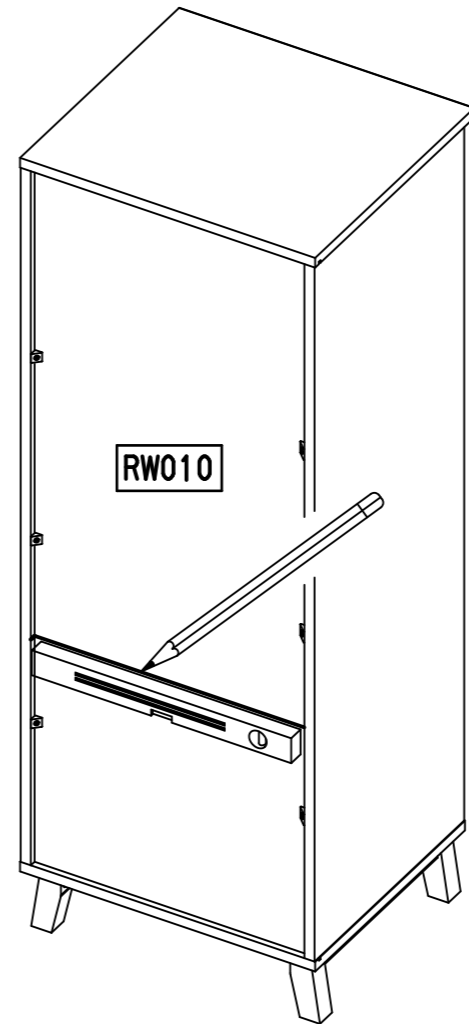
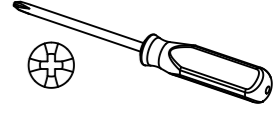
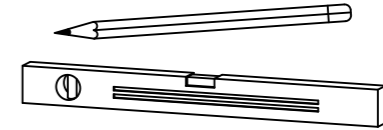
45

23

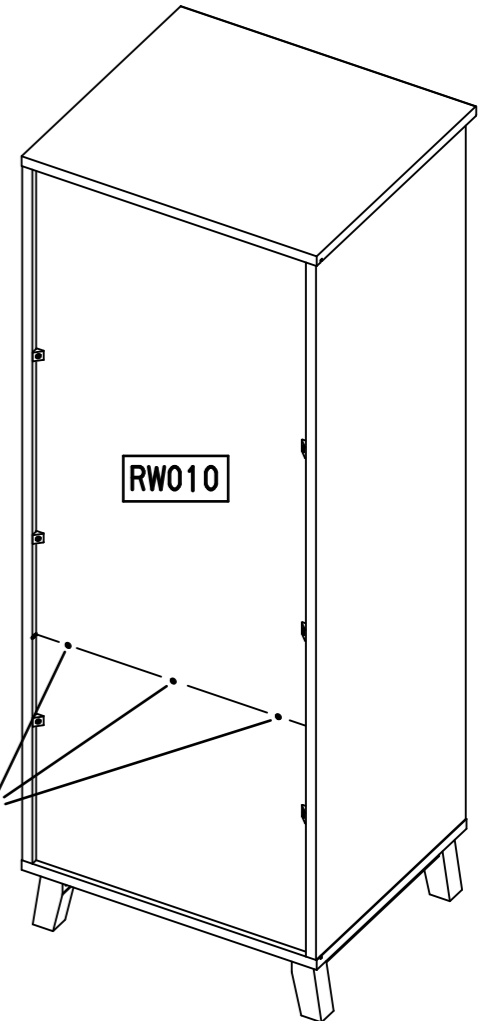
3x 215



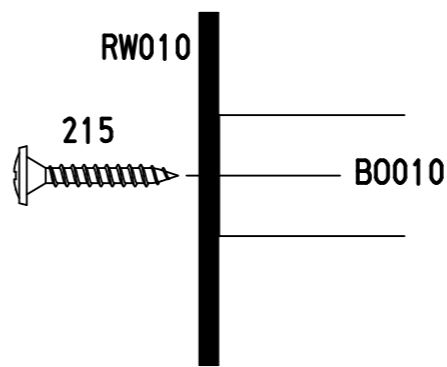
3x20



RW010



RW010



RW010

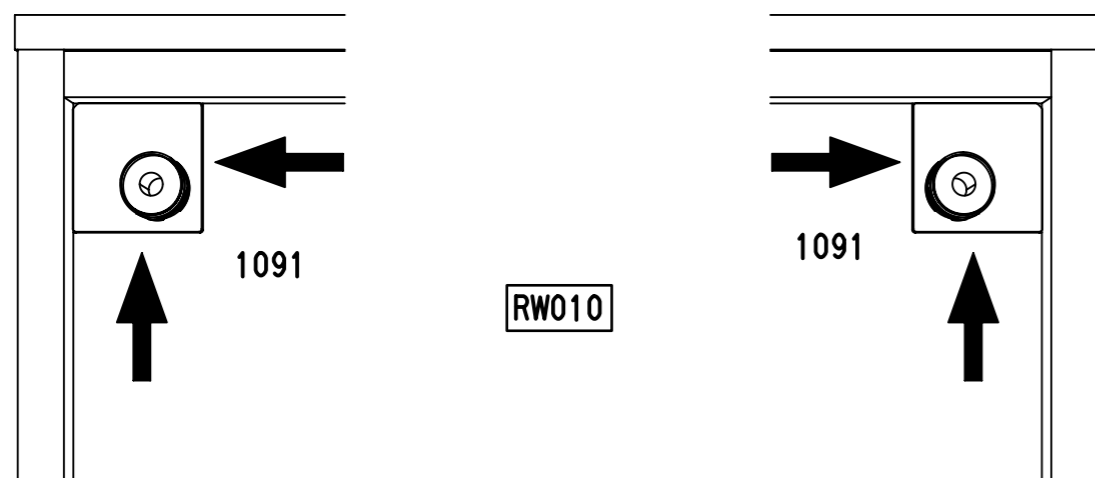
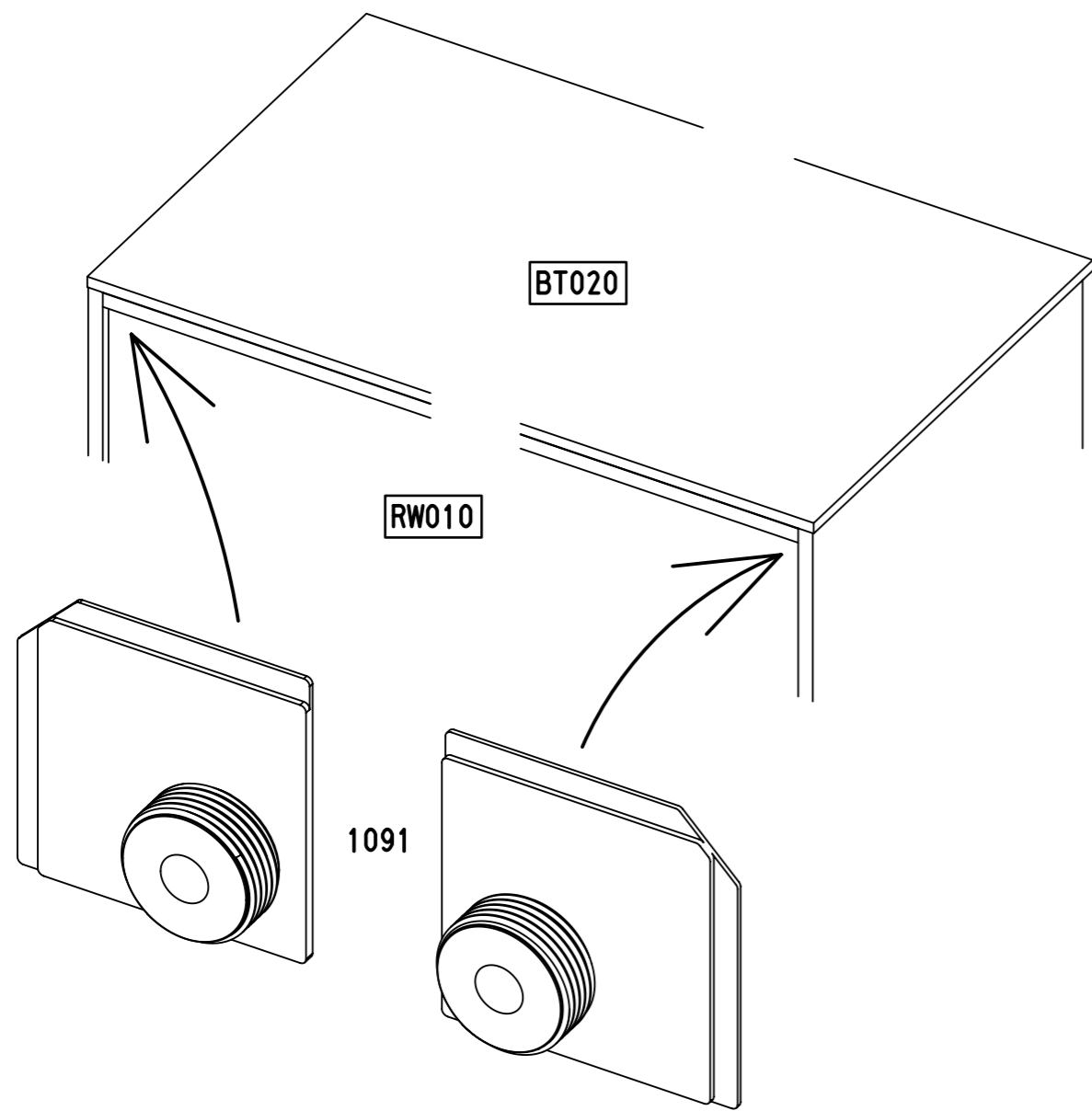
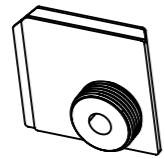
215

B0010

215

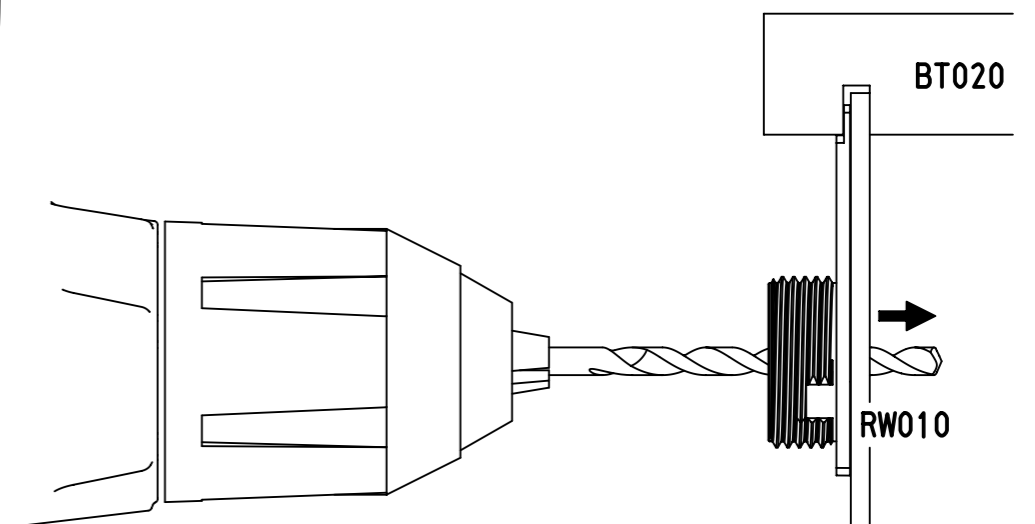
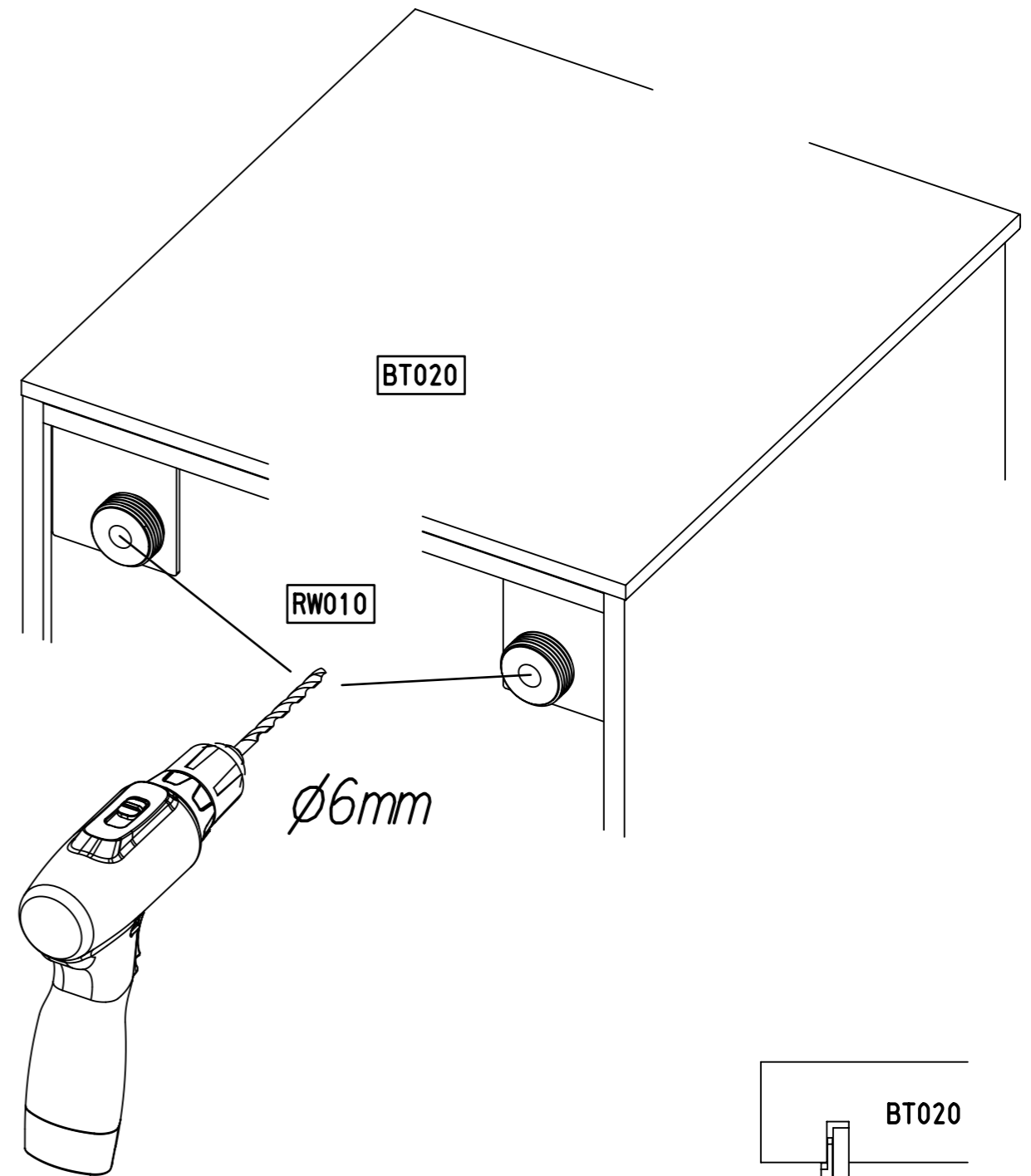
24

2x 1091



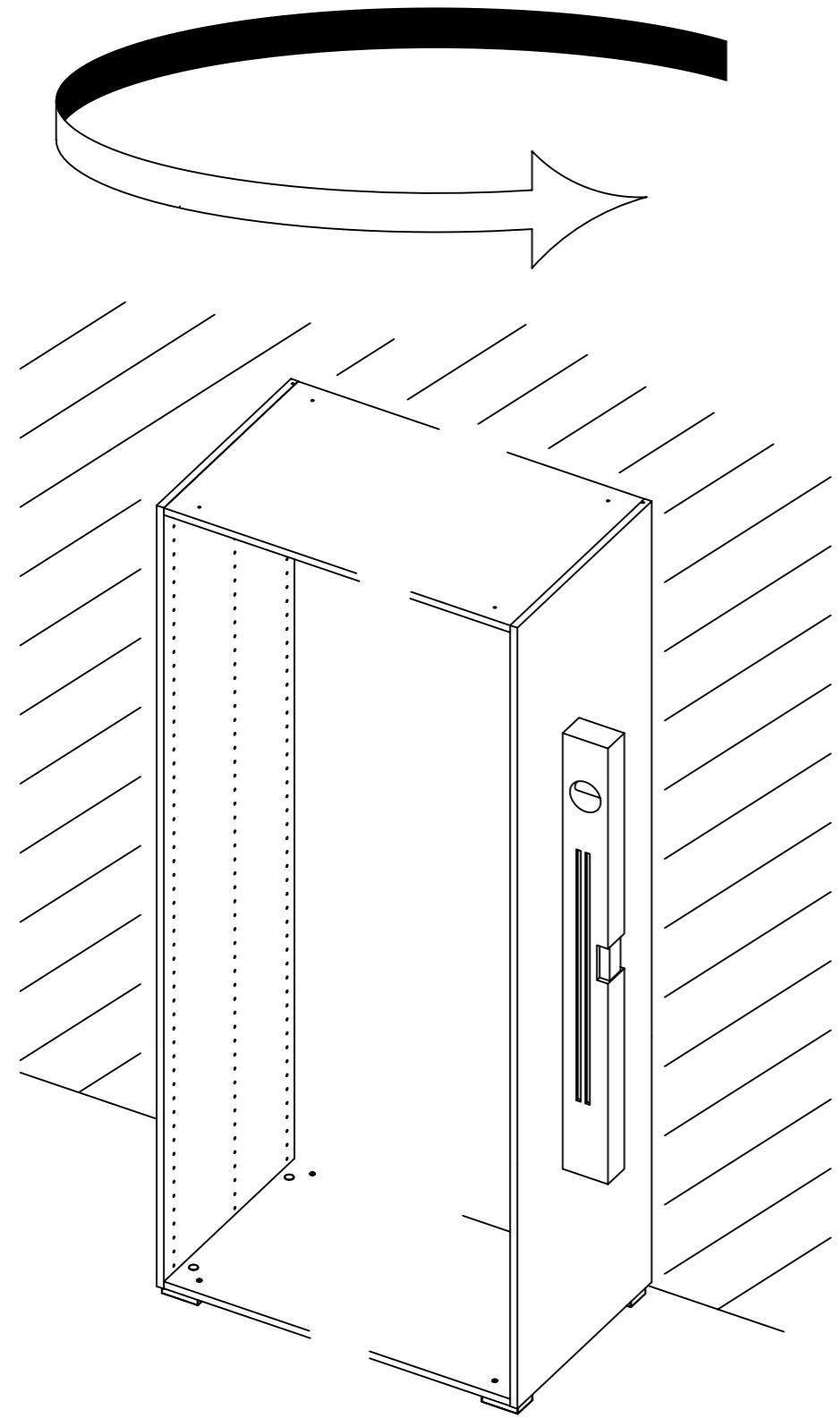
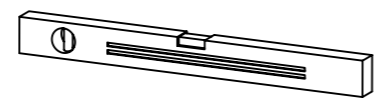
25

∅6mm



25.

26

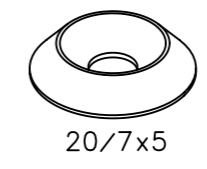


M2432

26.

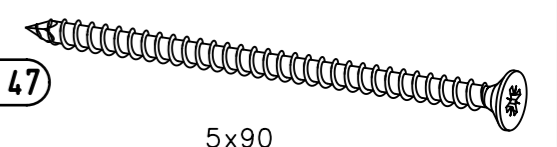
27

2x 1093

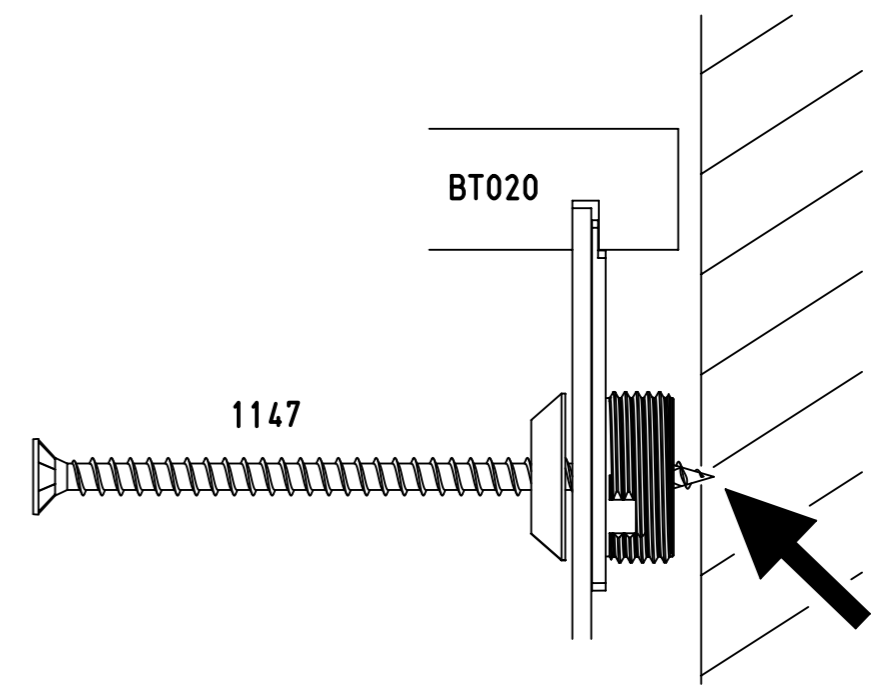
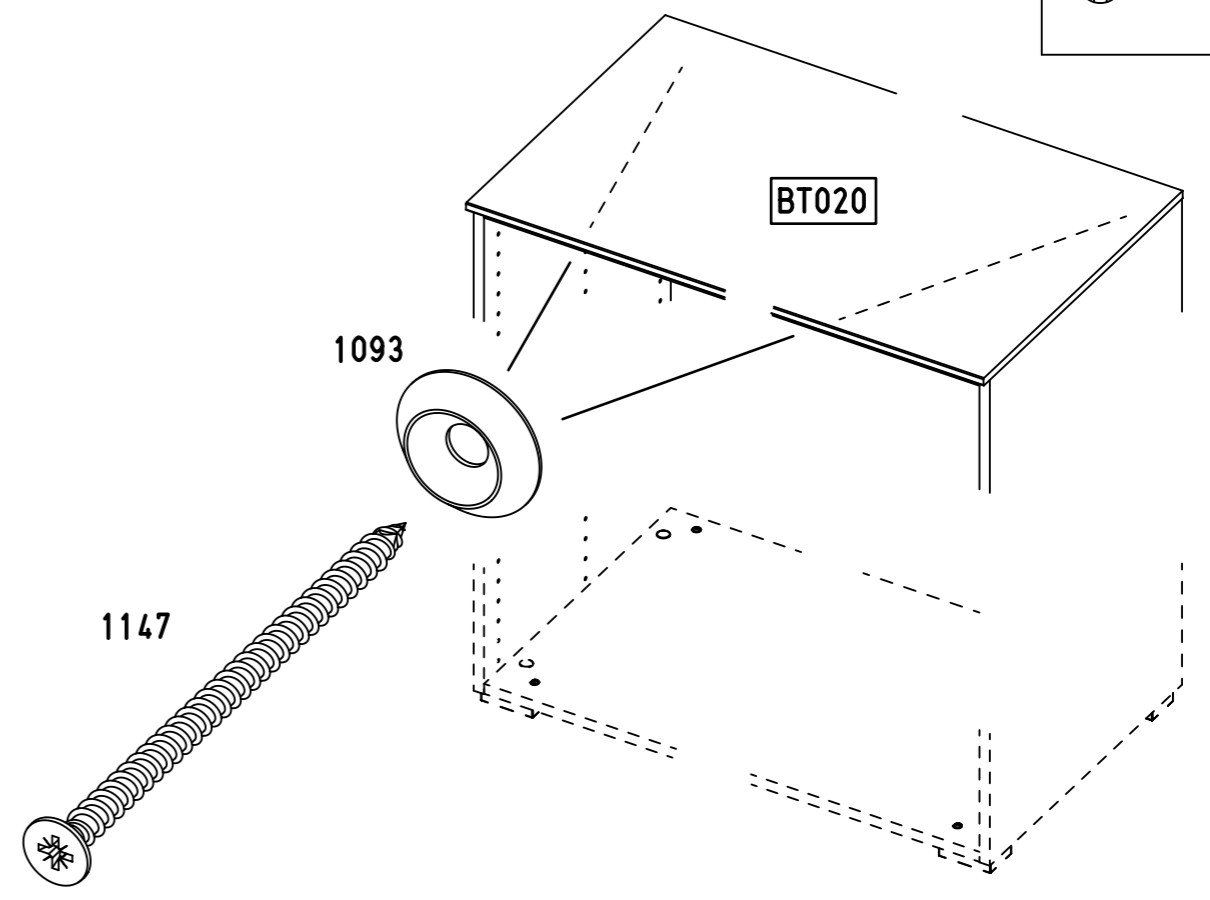
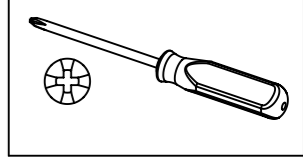


20/7x5

2x 1147

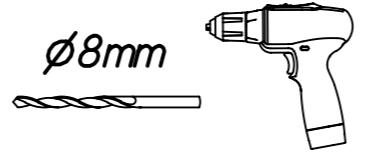


5x90

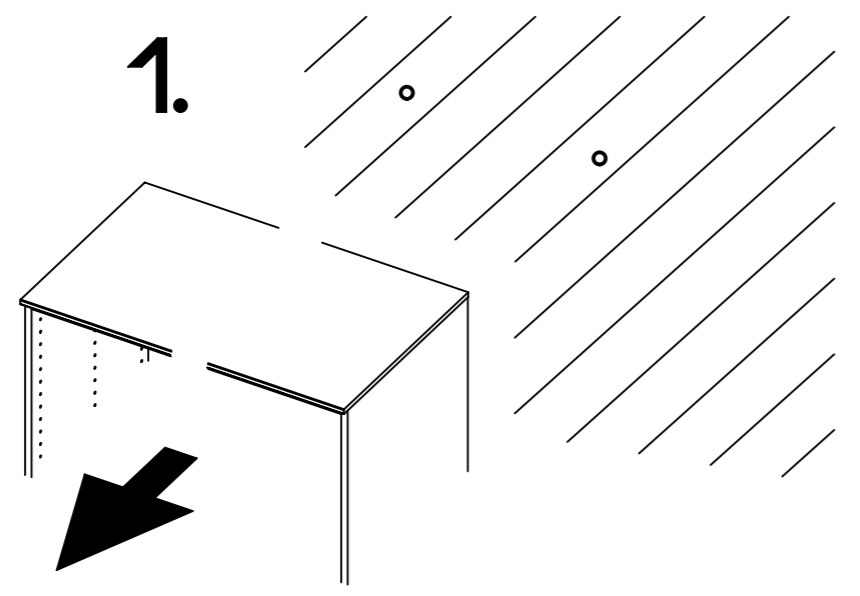


M2432

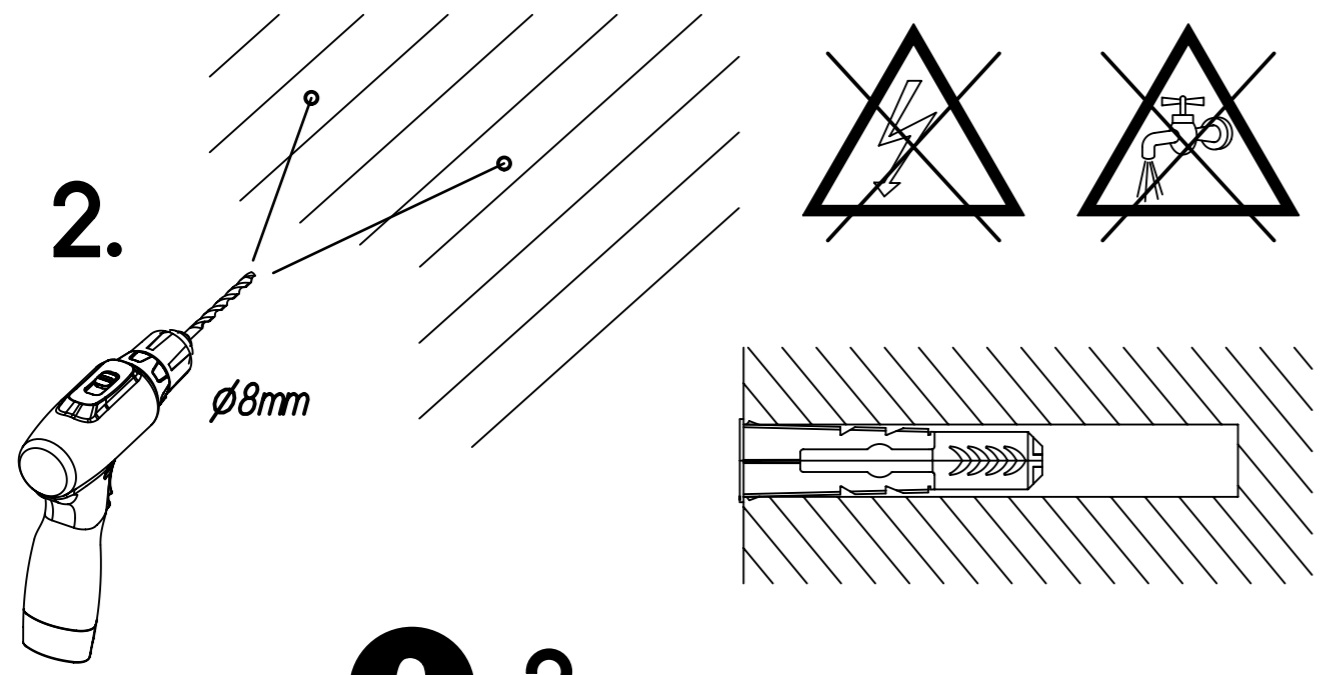
28



1.

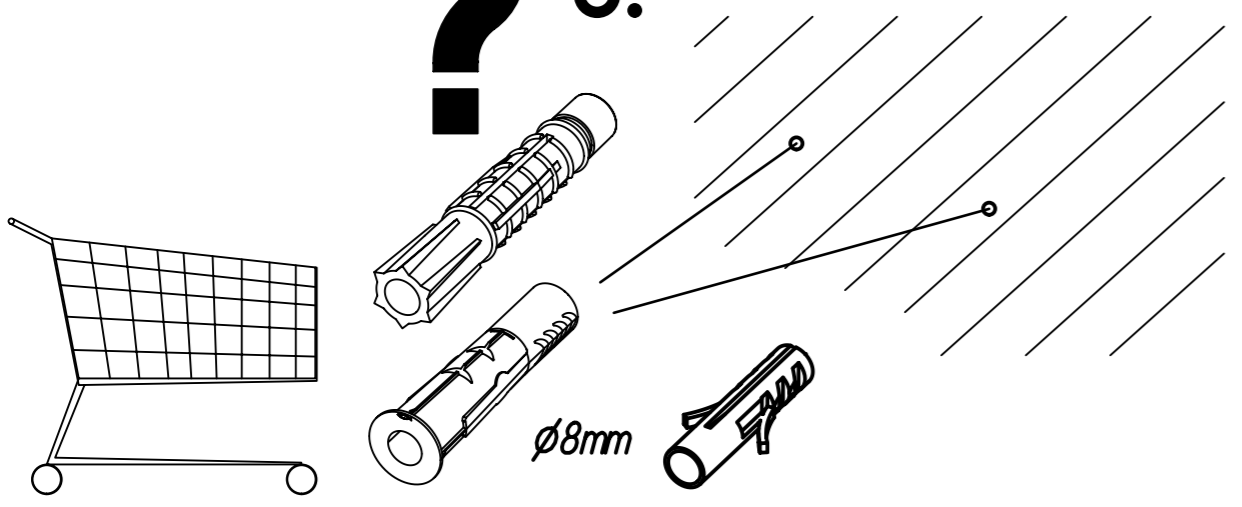


2.

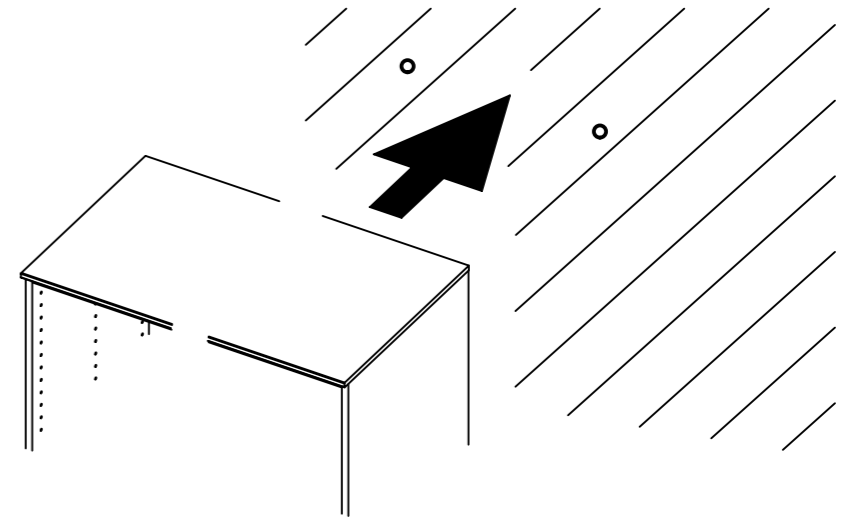
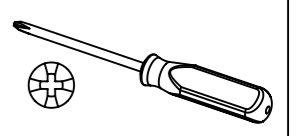


?

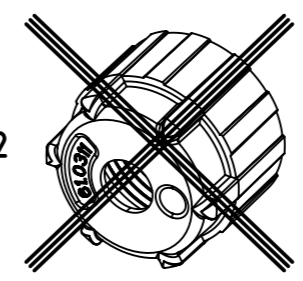
3.



29

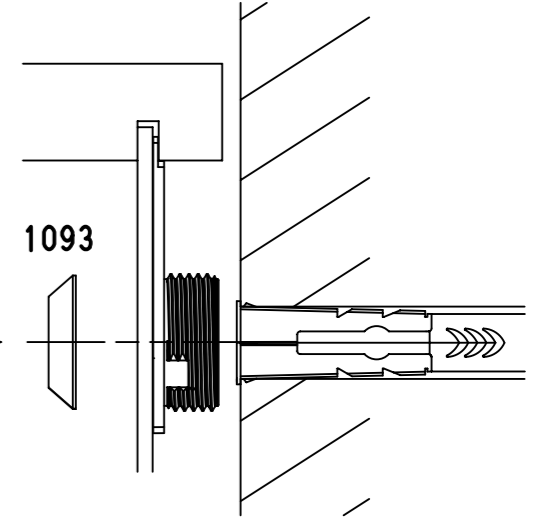
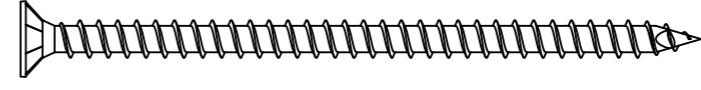


1092



1093

1147



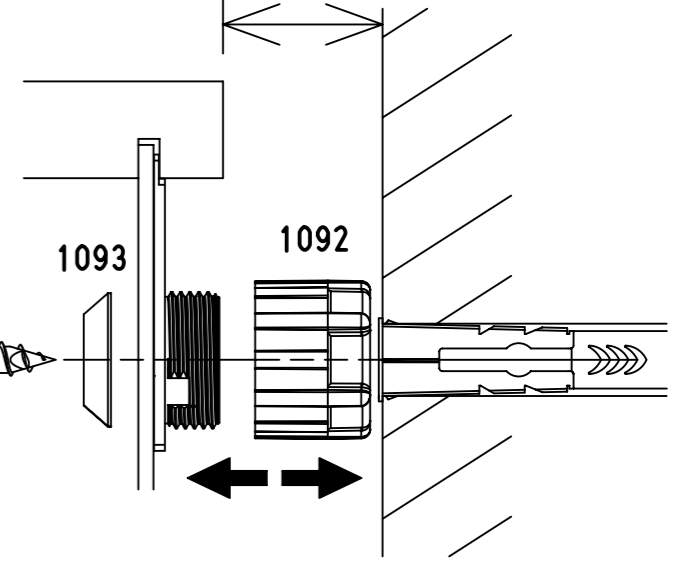
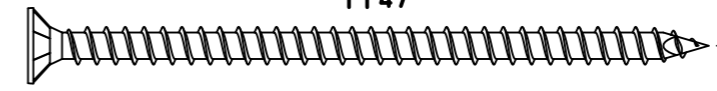
10-15mm



1093

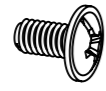
1092

1147

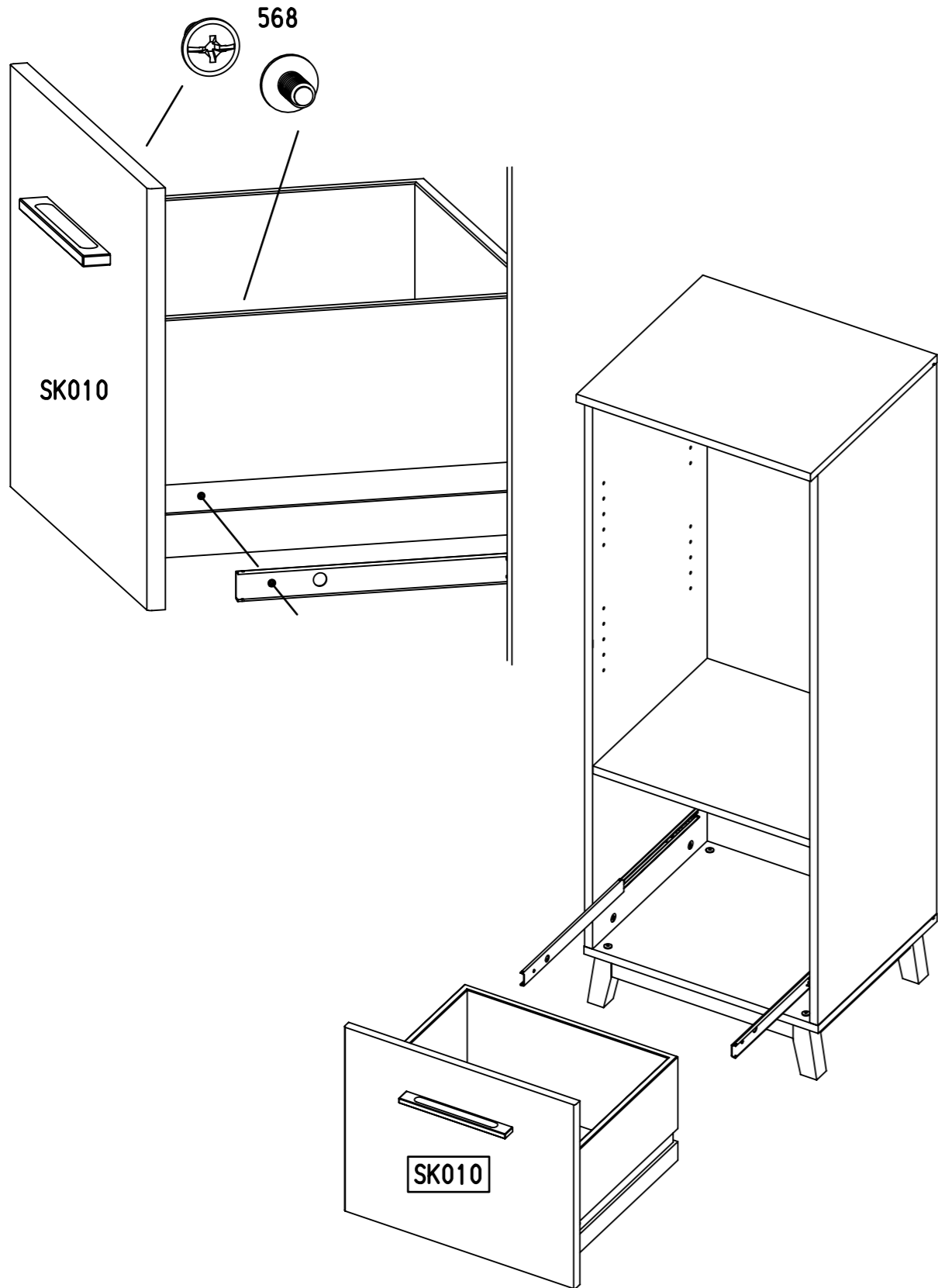
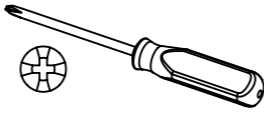


30

2x 568



M4x9



31

8x 1105

