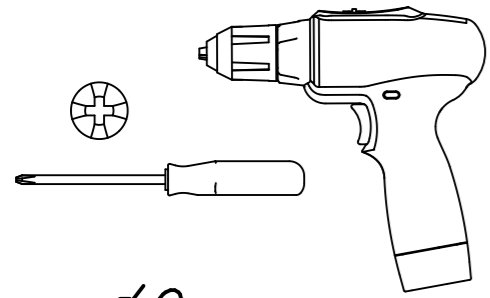


1.

M2431_03



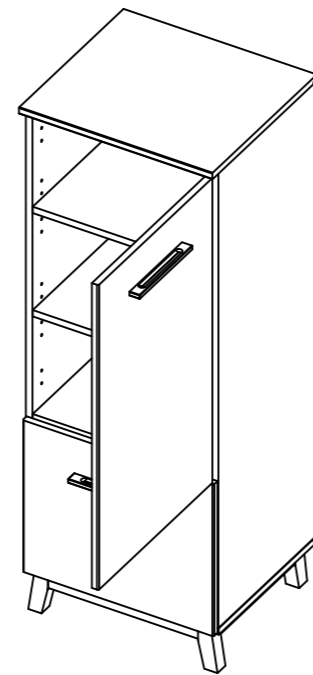
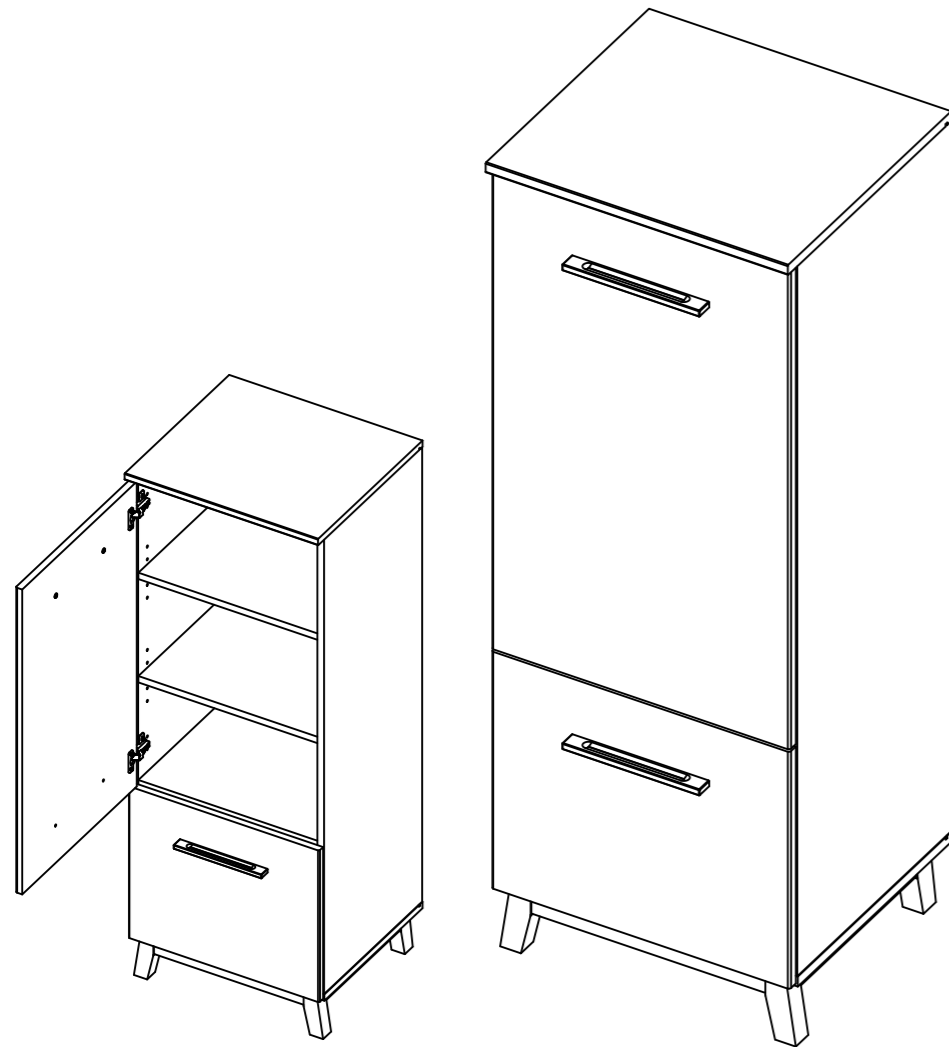
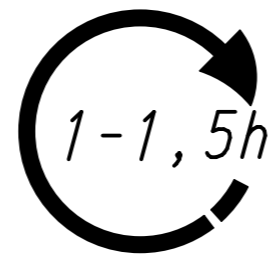
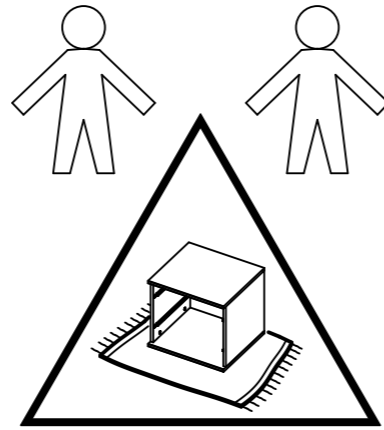
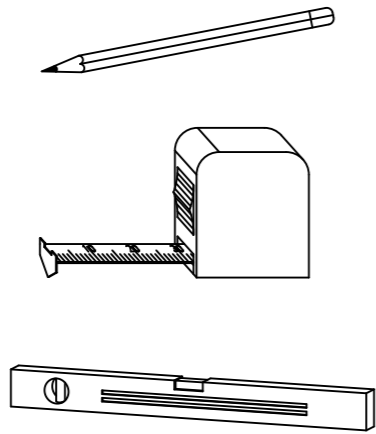
ø8mm



ø6mm

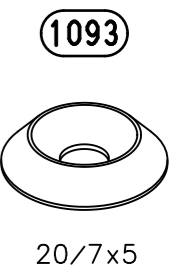
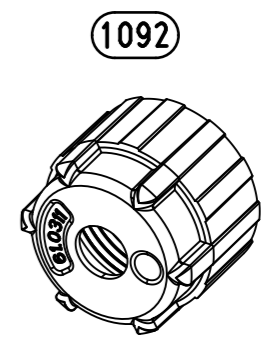
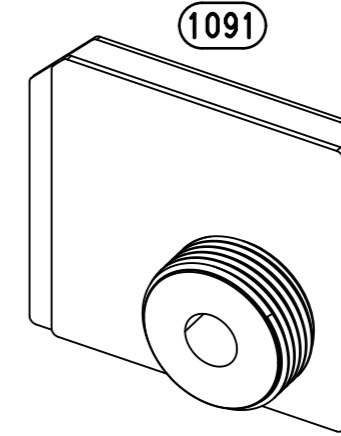
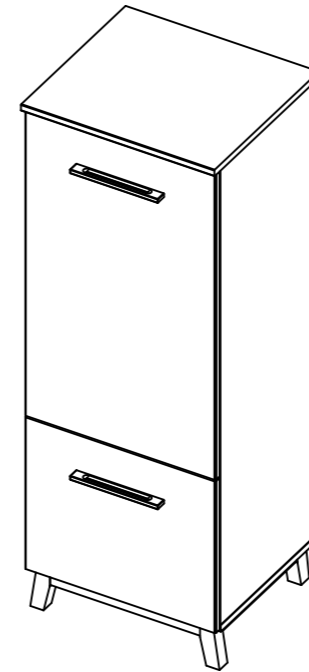


ø5mm

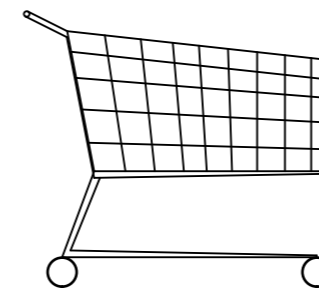
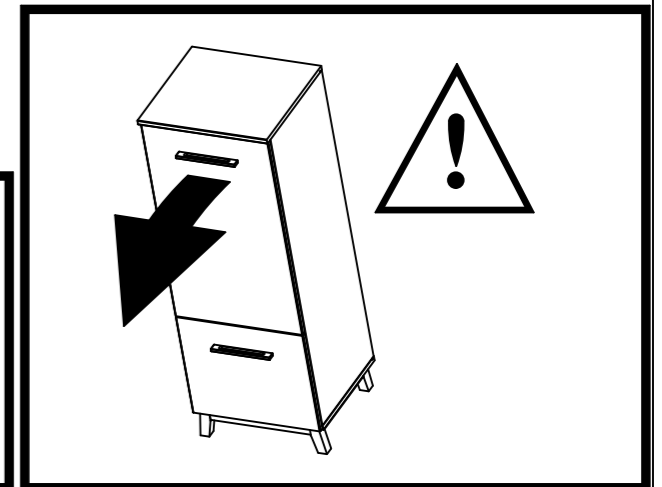
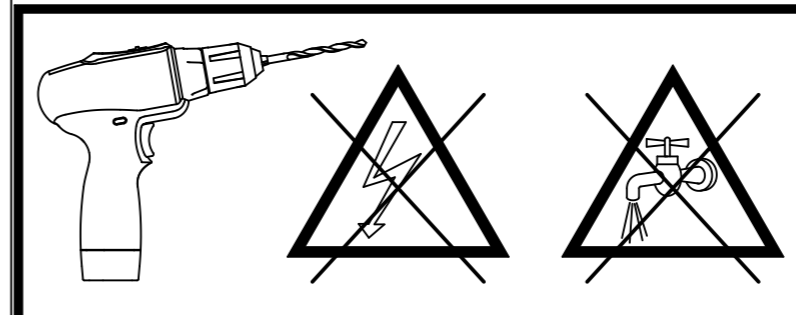
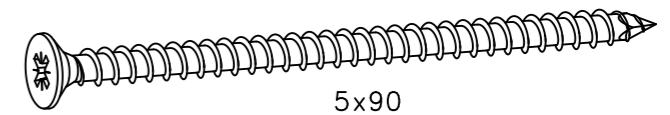


2.

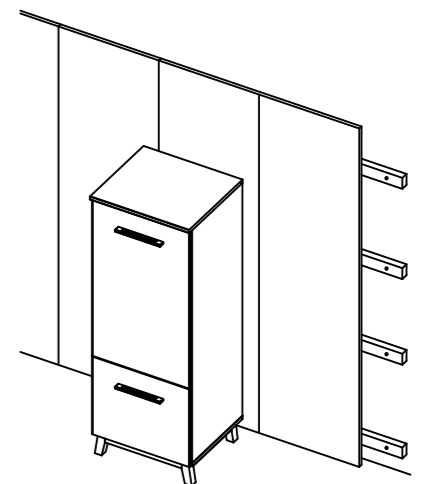
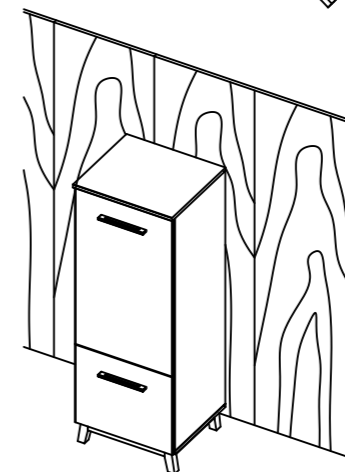
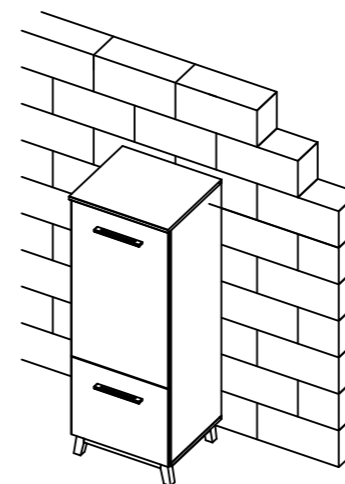
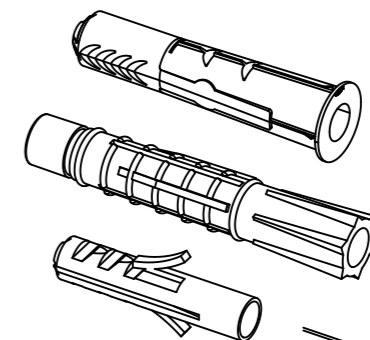
2x

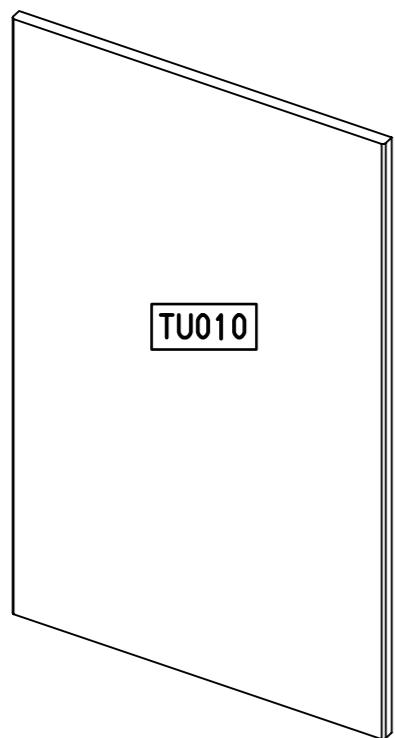


1147

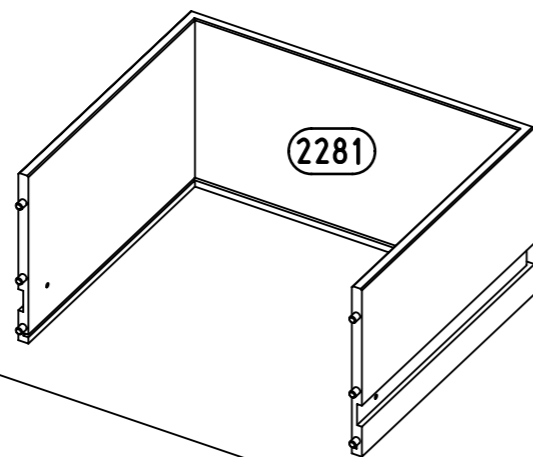


ø8mm

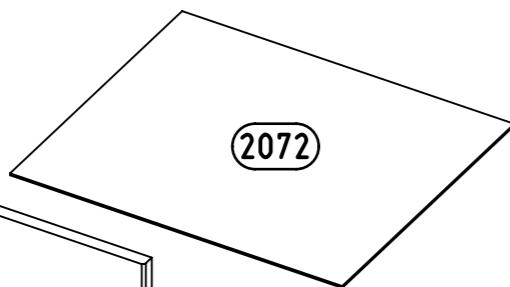




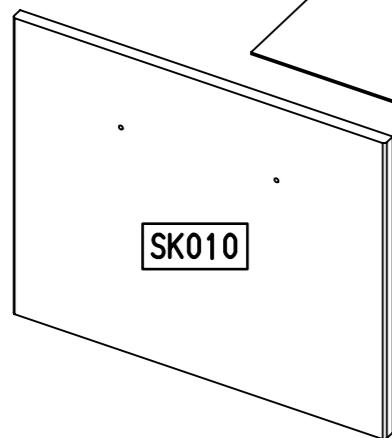
TU010



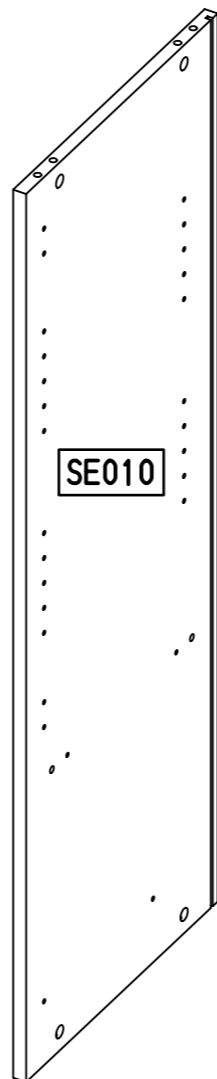
2281



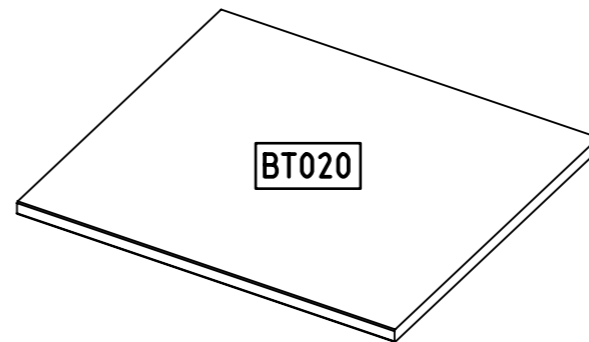
2072



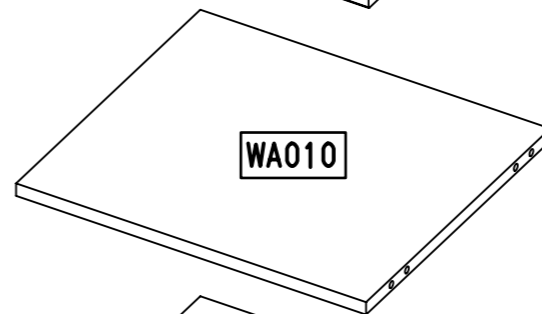
SK010



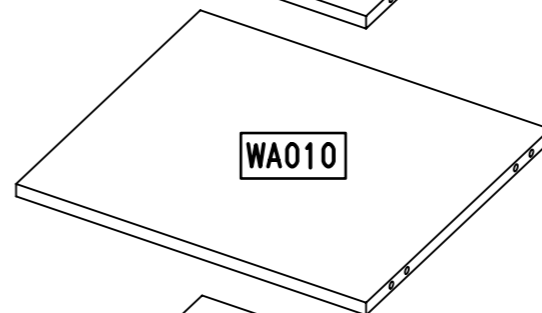
SE010



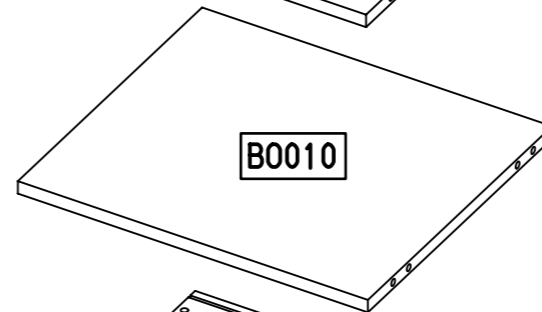
BT020



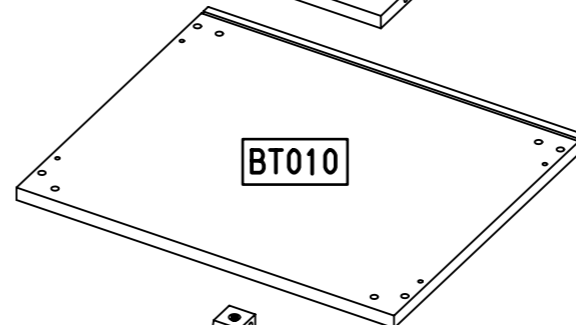
WA010



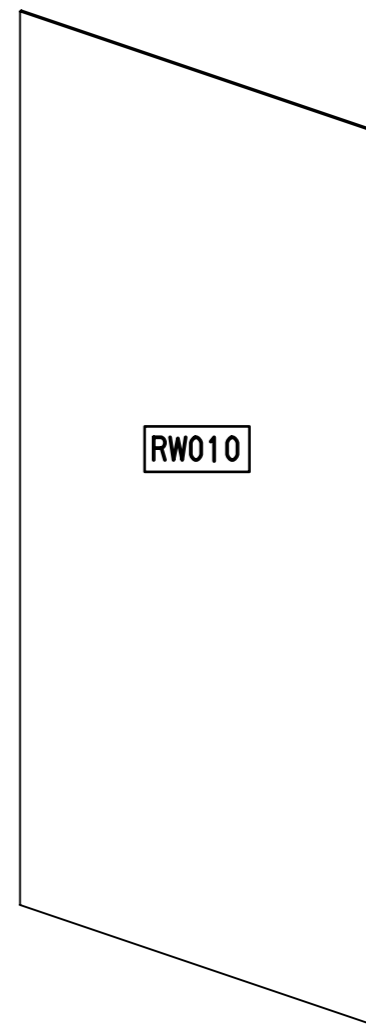
WA010



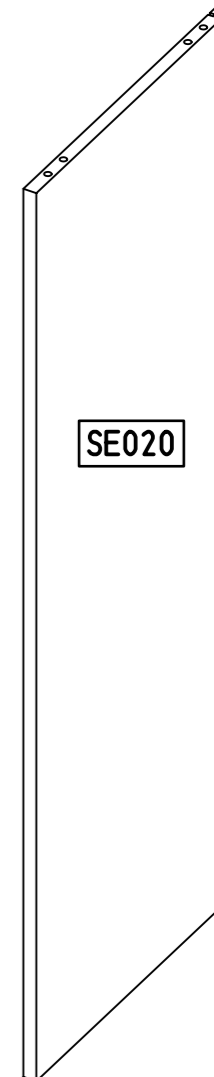
B0010



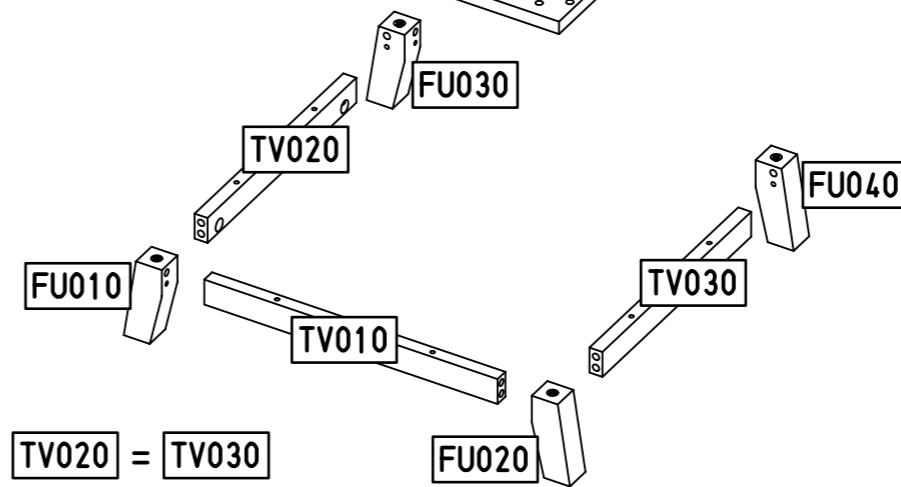
BT010



RW010

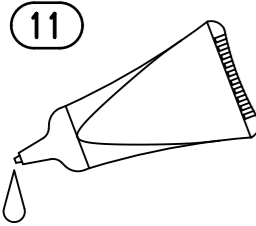
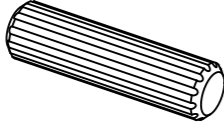
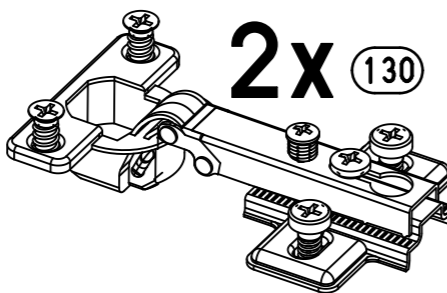
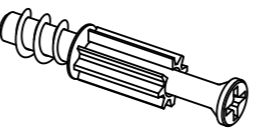
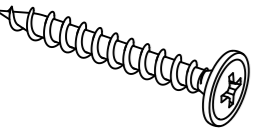
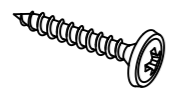

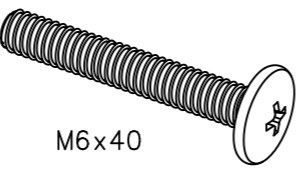
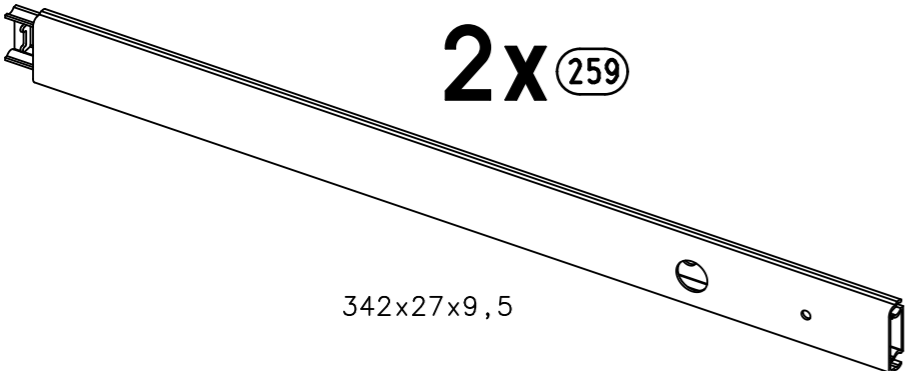
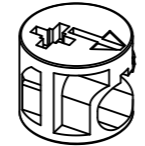

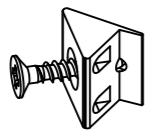
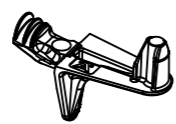
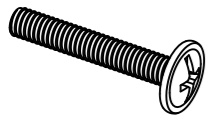
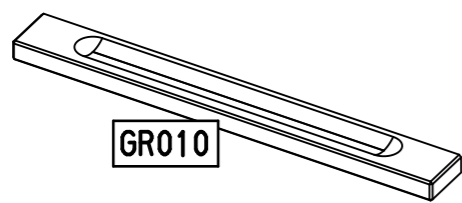
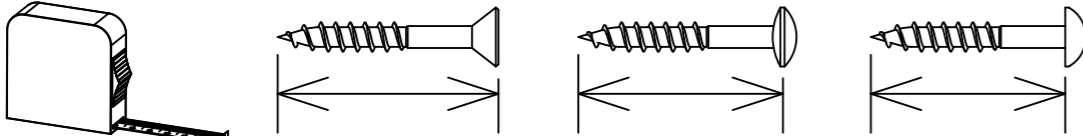


SE020





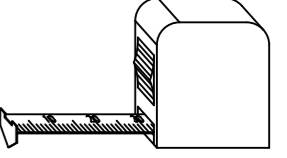
TV020 = TV030

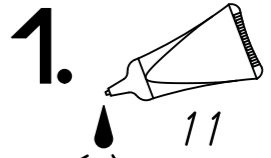
5.

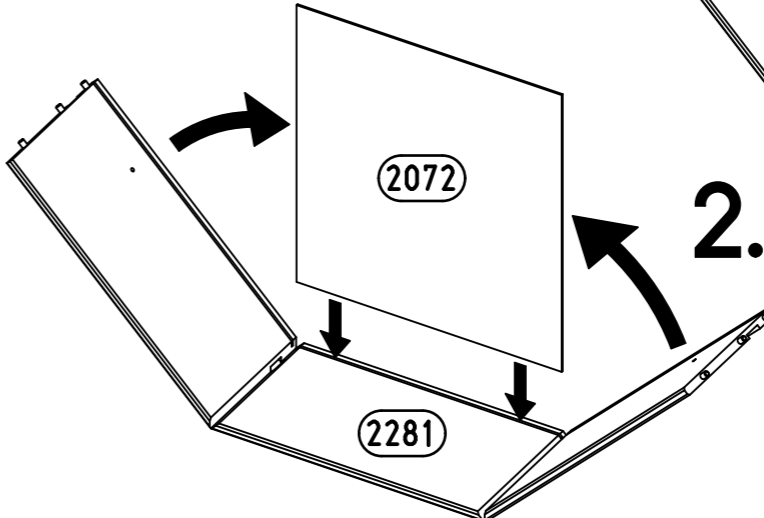
 11	 18x (18) 8x30	 2x (130)	 18x (183) 23/10x7,5
 6x (214) 4,5x35	 3x (215) 3x20	 4x (227) 6x10,5	 4x (245) M6x40
 2x (259) 342x27x9,5		 18x (349)	
 2x (568) M4x9	 6x (45)	 8x (1105)	
 4x (611) M4x25	 GR010		
			

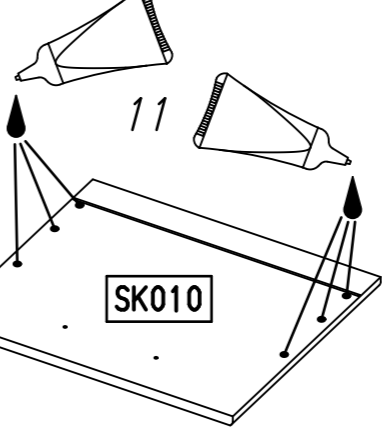
M2431

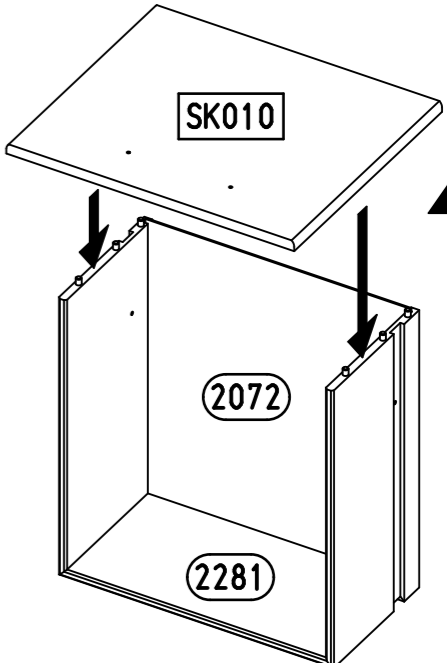
6.

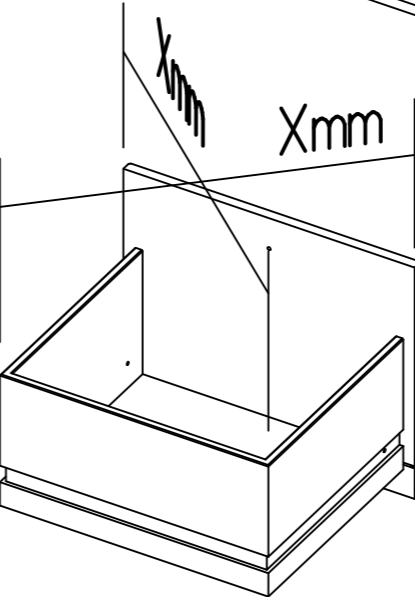
 1	 11		
--	---	--	--

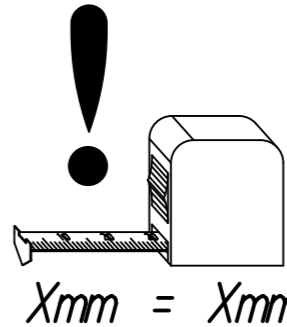
1.  11
2281

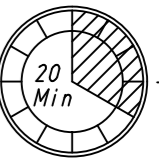
2.  2072
2281

3.  11
SK010

4.  SK010
2072
2281

 Xmm
Xmm

 !
Xmm = Xmm

 20 Min

M2431

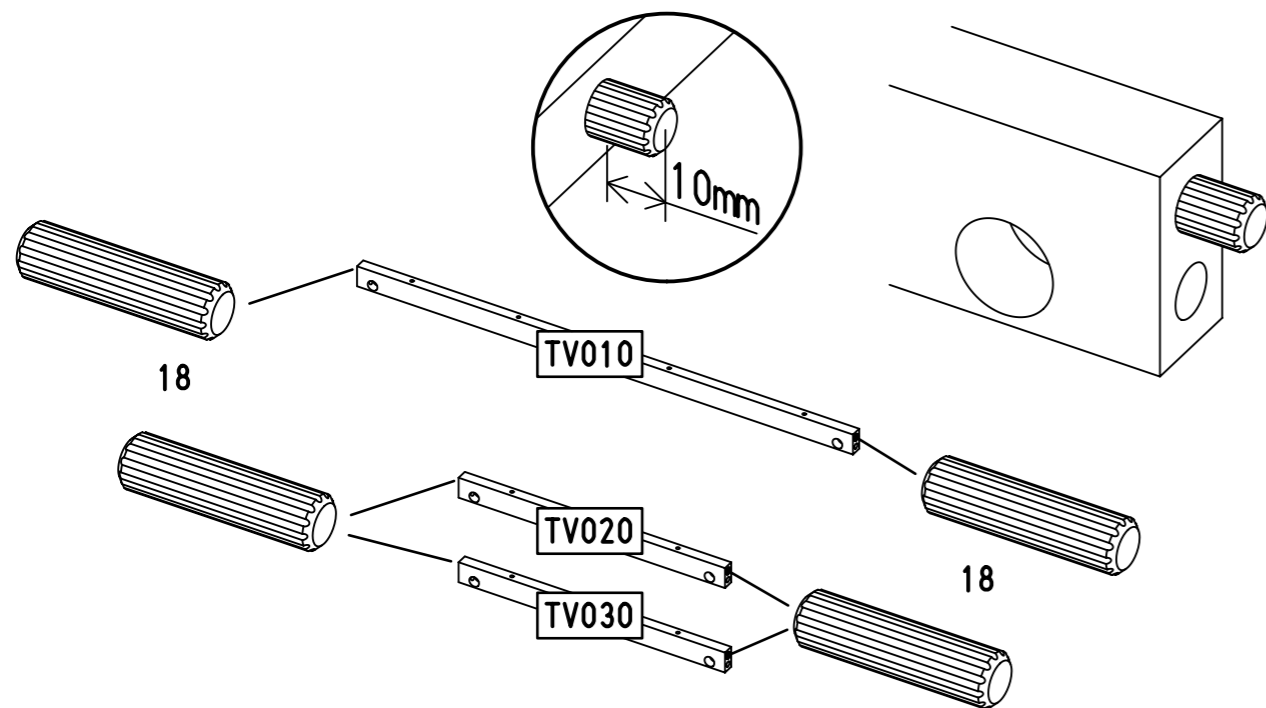
7.

2

6x 18

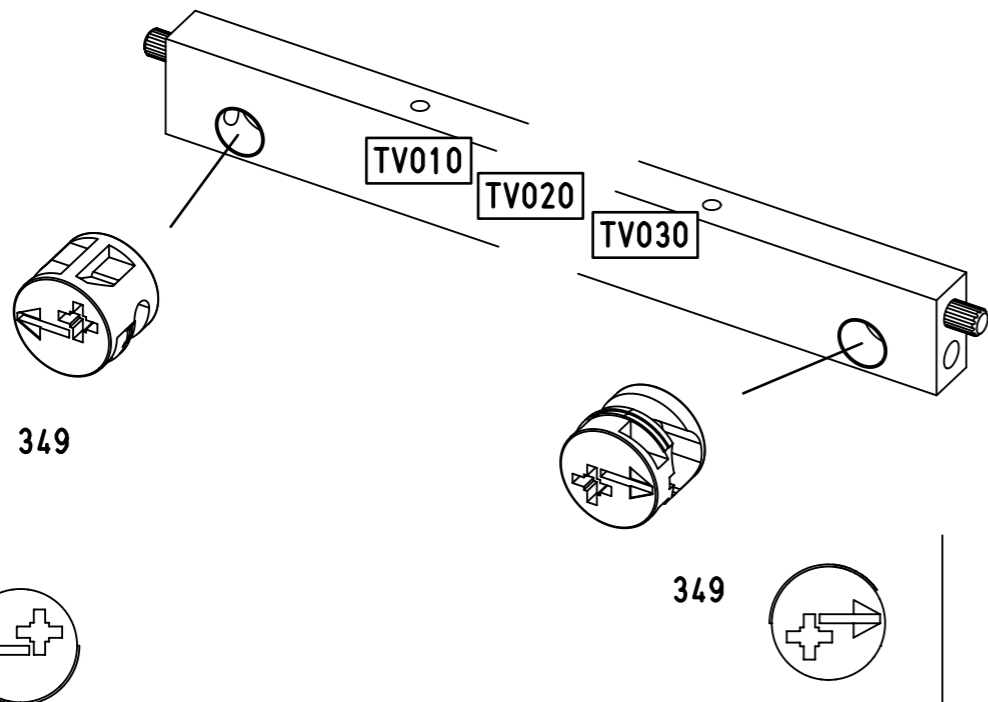
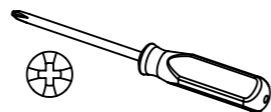
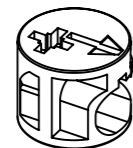


8x30



3

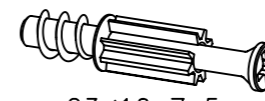
6x 349



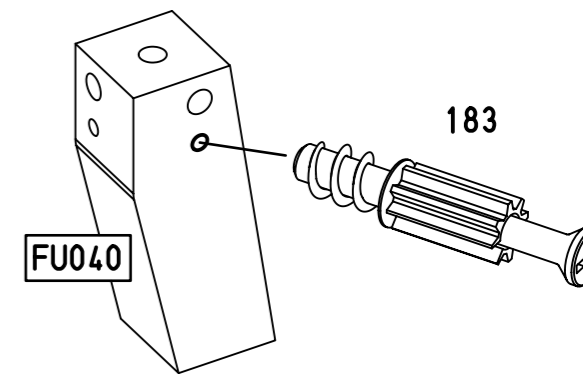
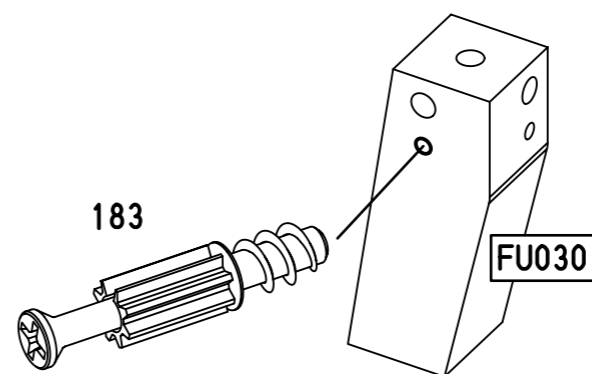
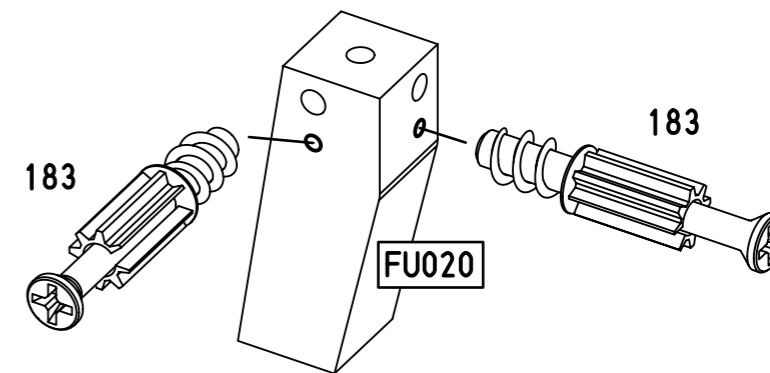
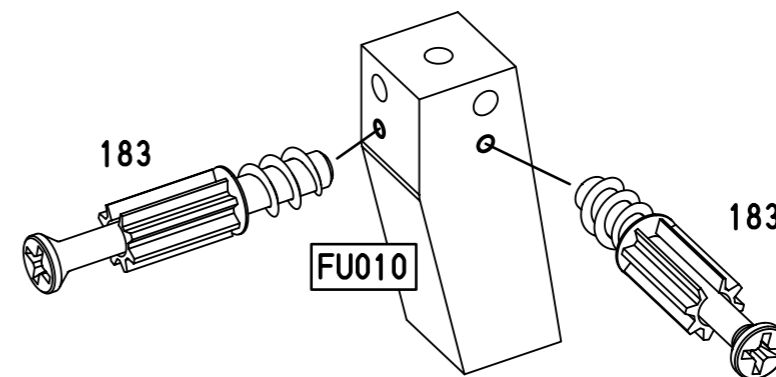
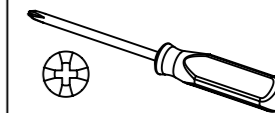
8.

4

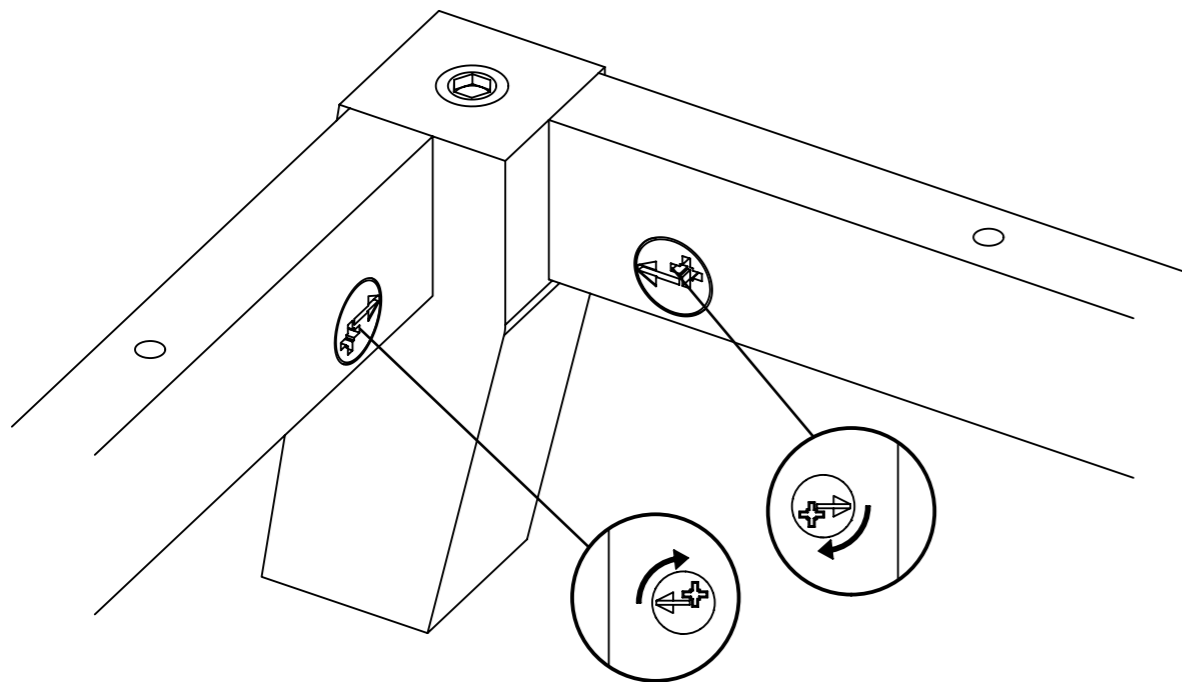
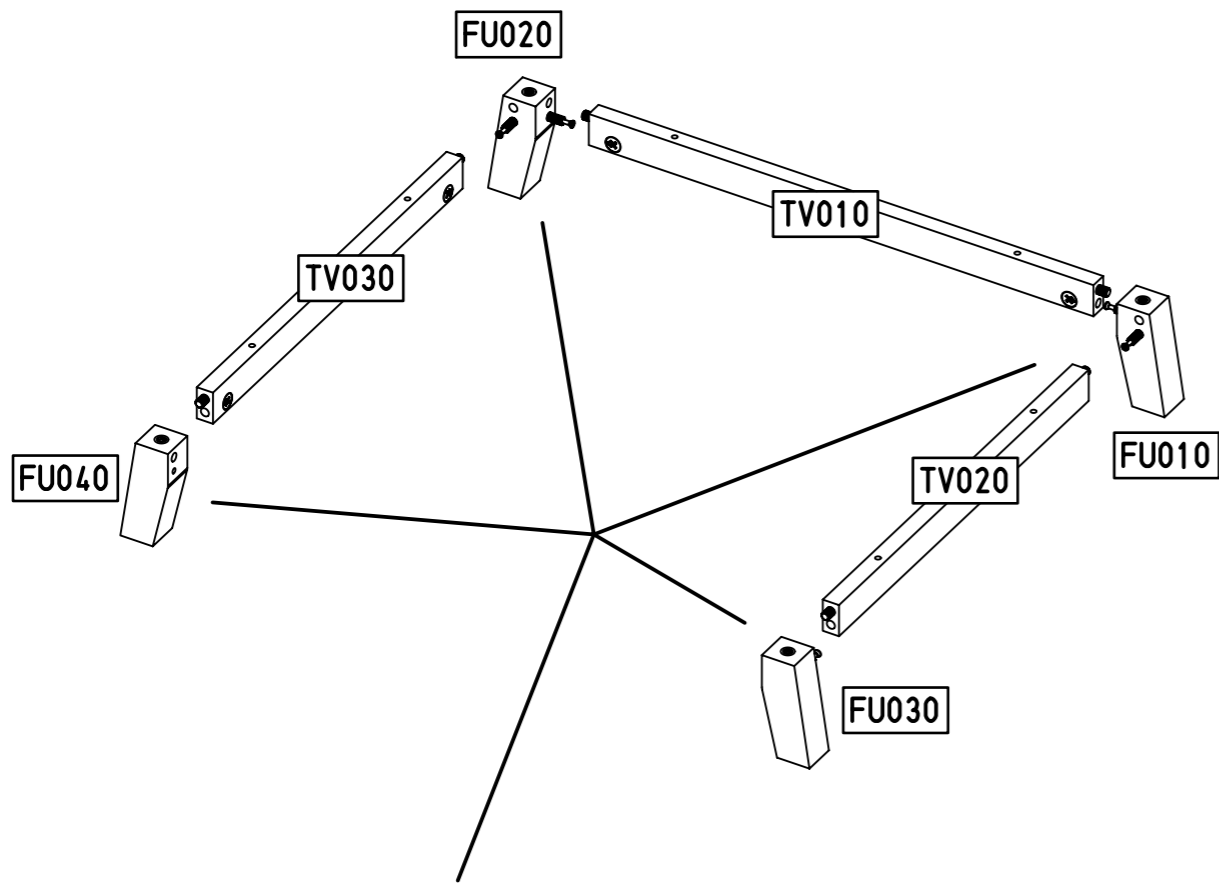
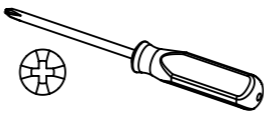
6x 183



23/10x7,5



5

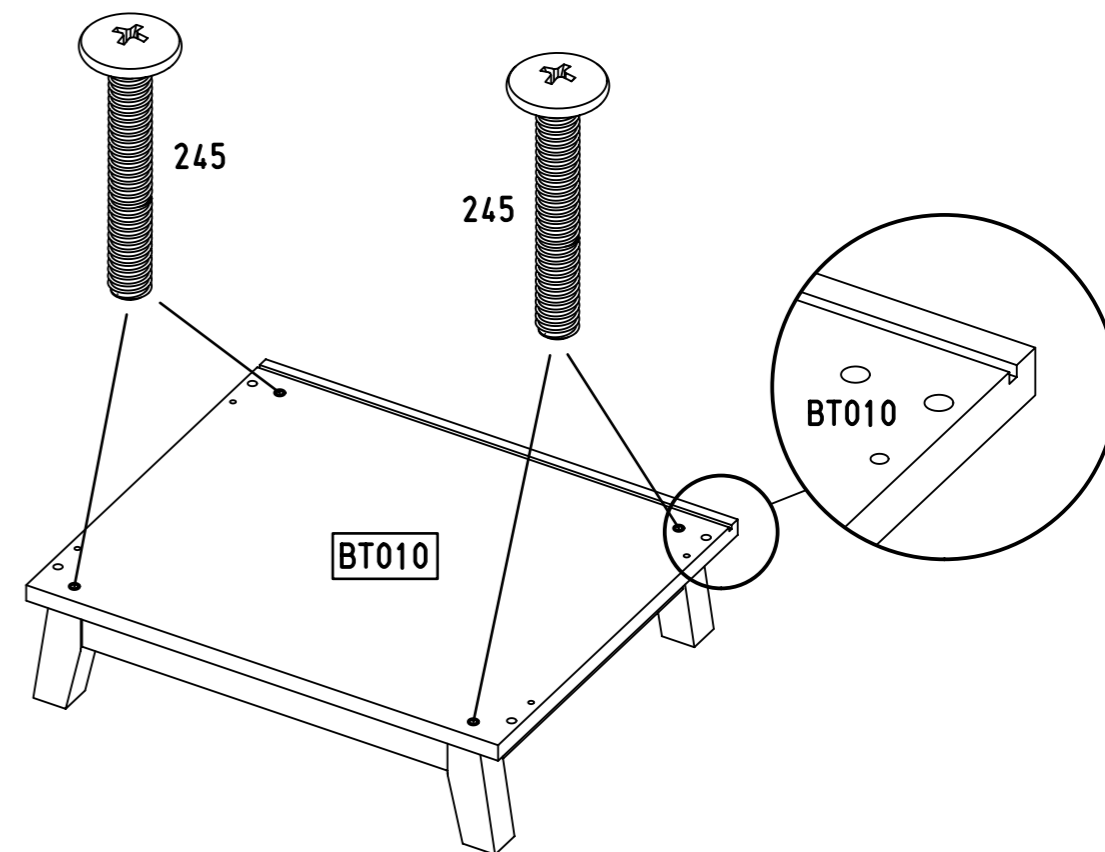
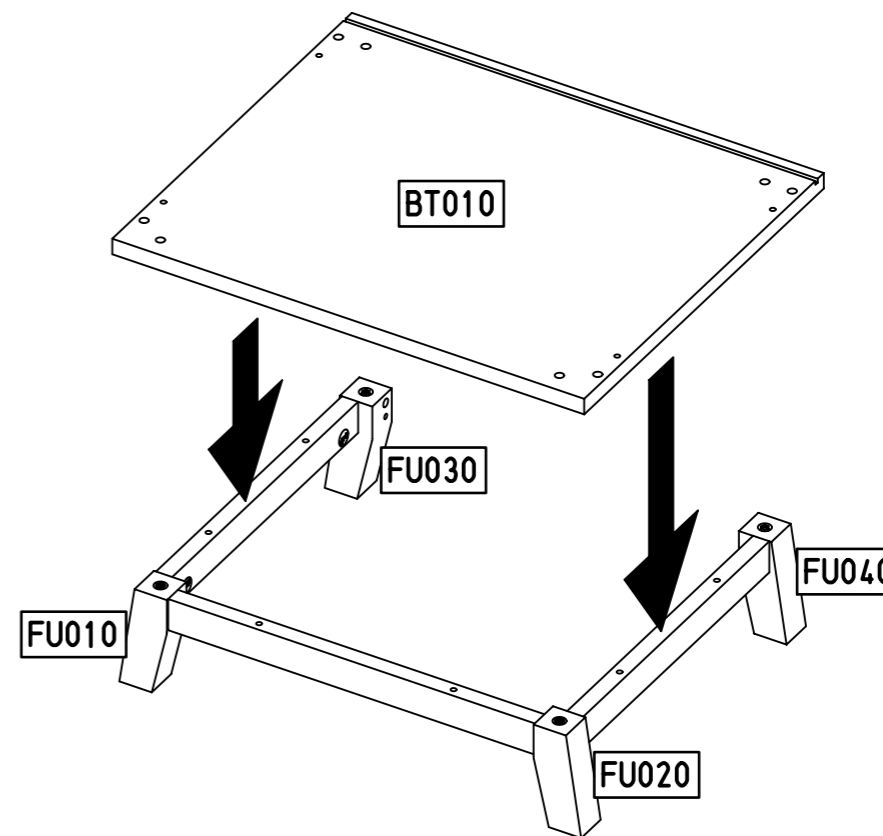
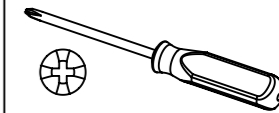


6

4x 245

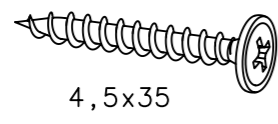


M6x40

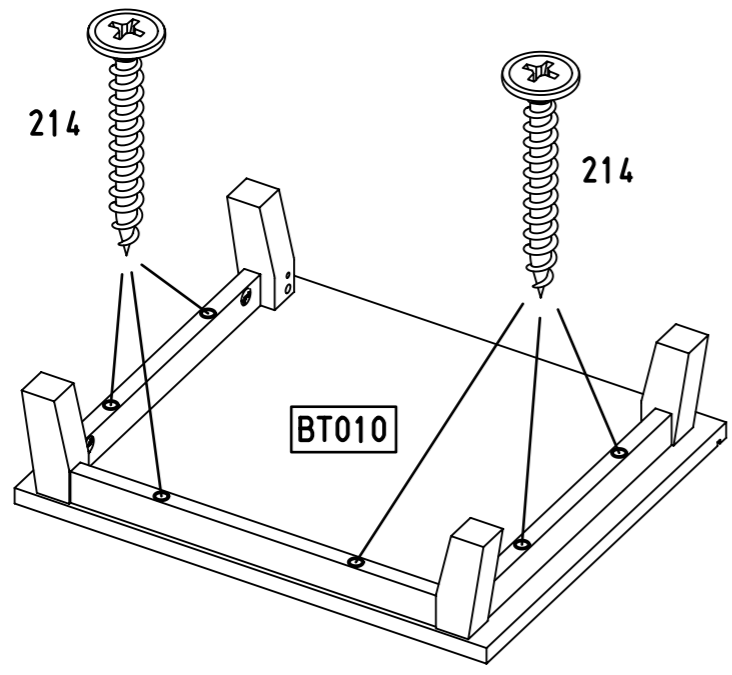
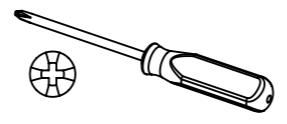


7

6x 214

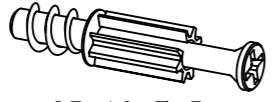


4,5x35

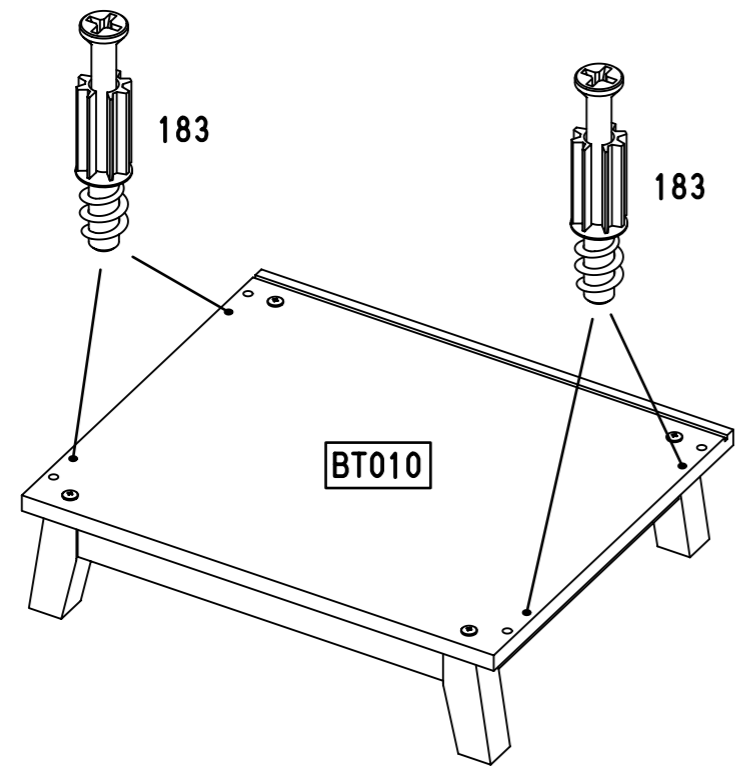
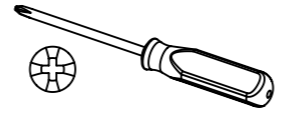


8

4x 183

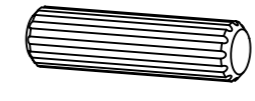


23/10x7,5

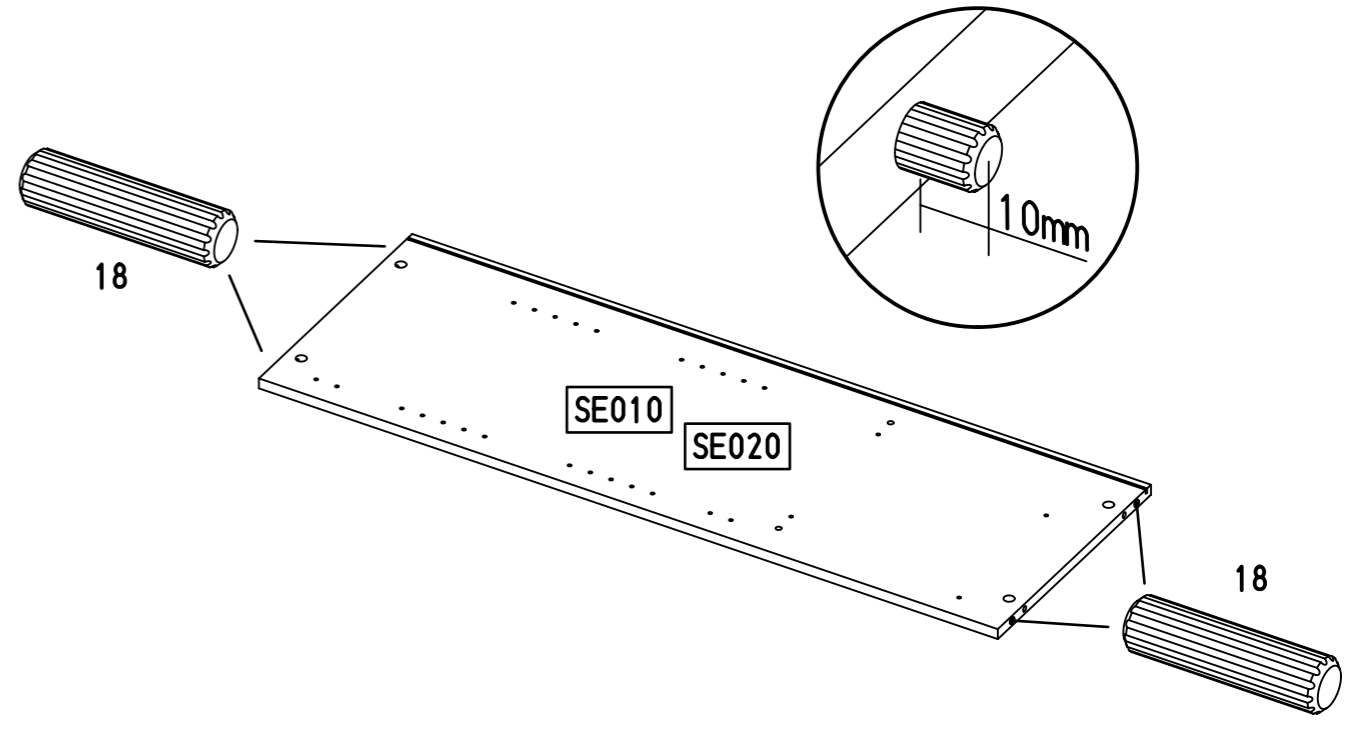


9

8x 18

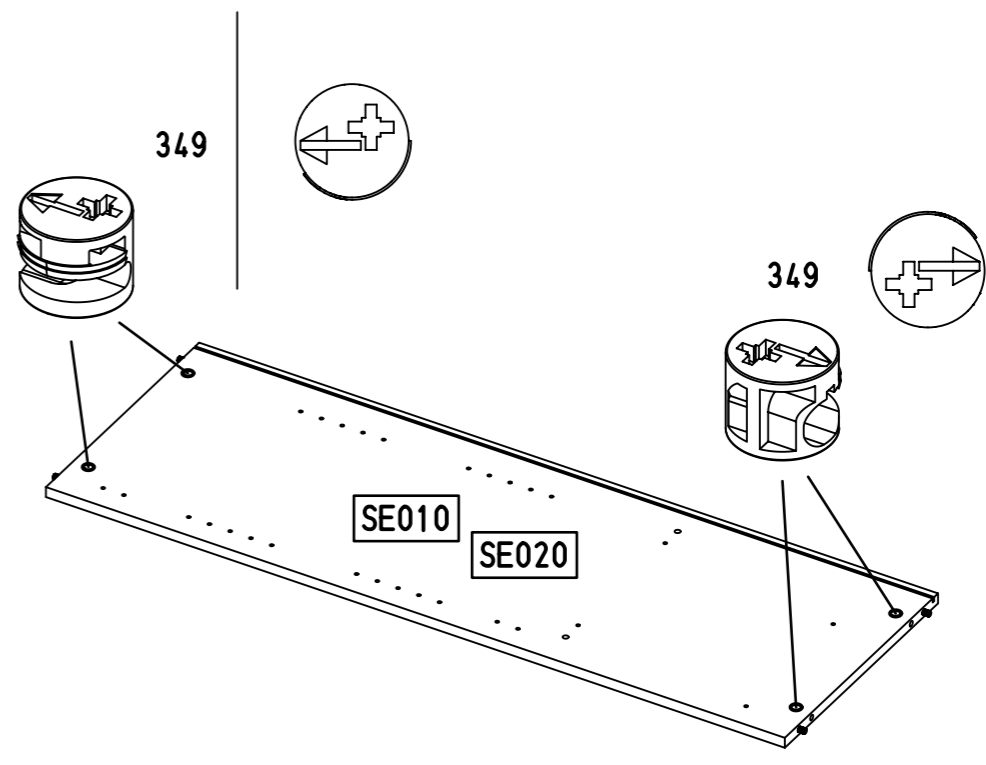
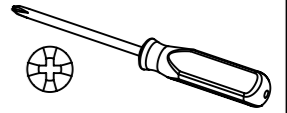
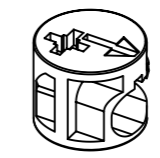


8x30



10

8x 349



13.

11

1x 259

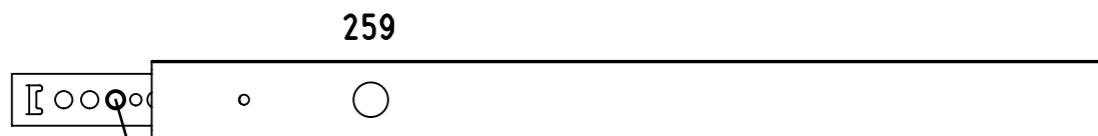
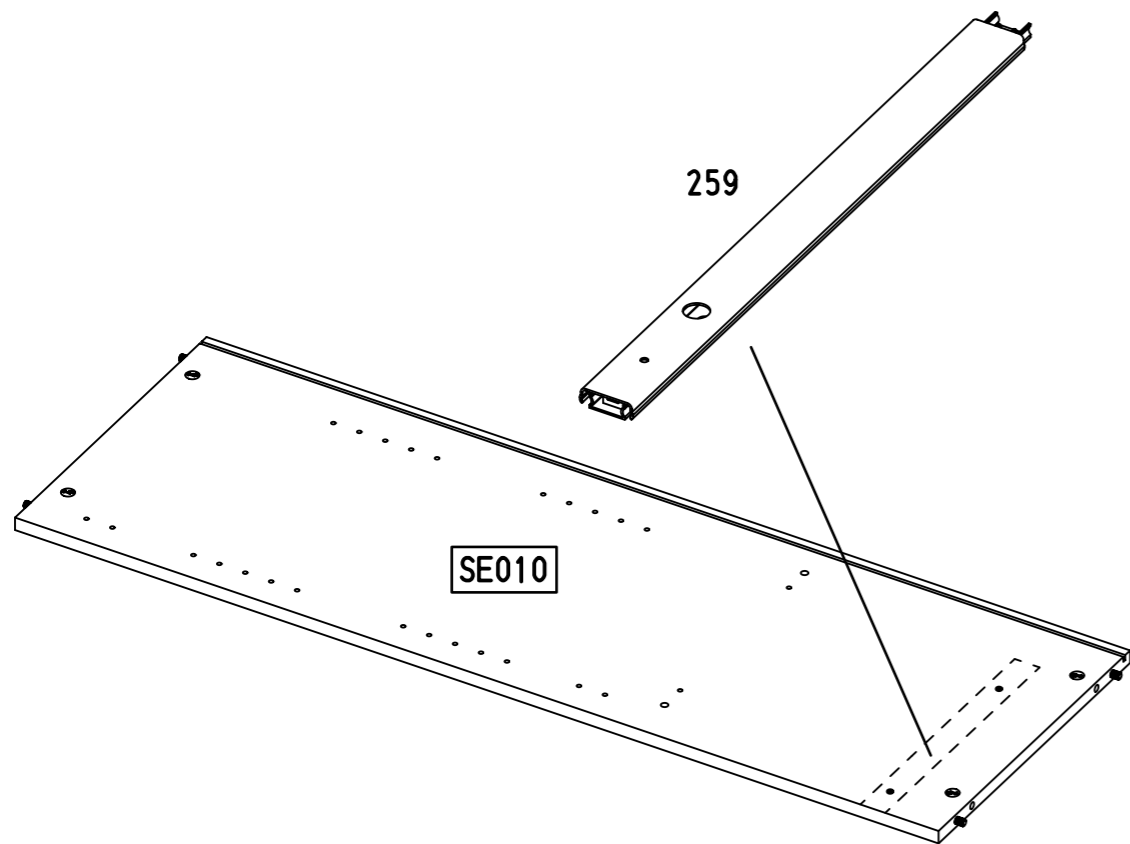
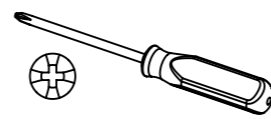


342x27x9,5

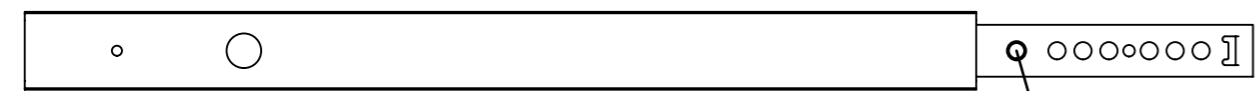
2x 227



6x10,5



1. 227



2. 227

14.

12

1x 259

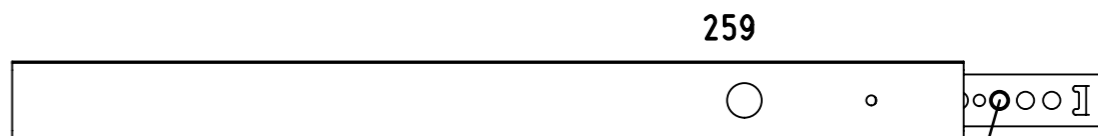
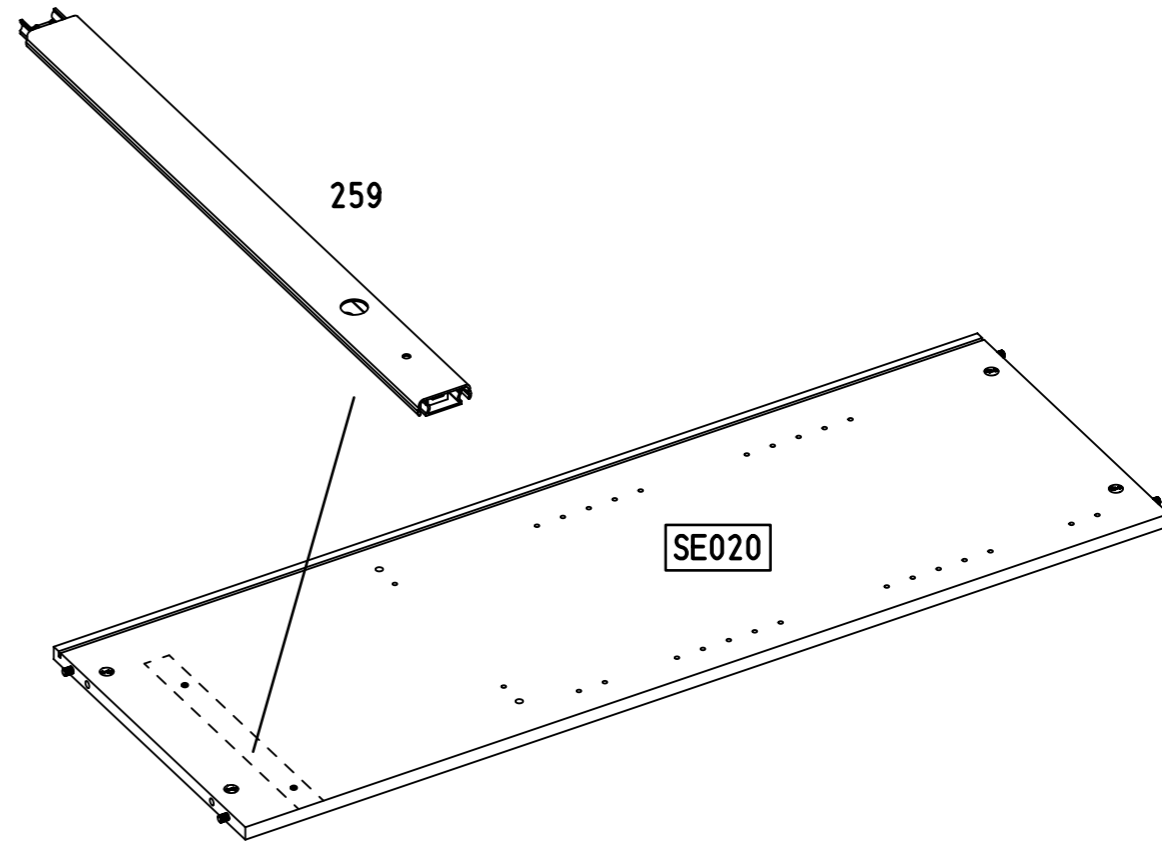
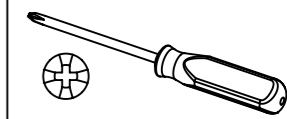


342x27x9,5

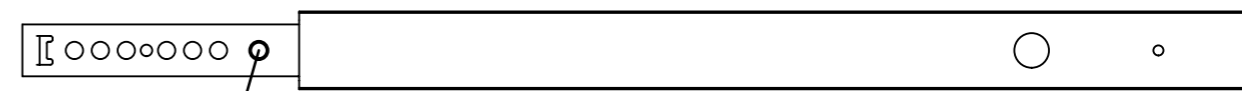
2x 227



6x10,5



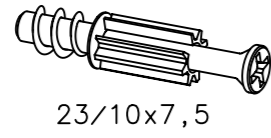
1. 227



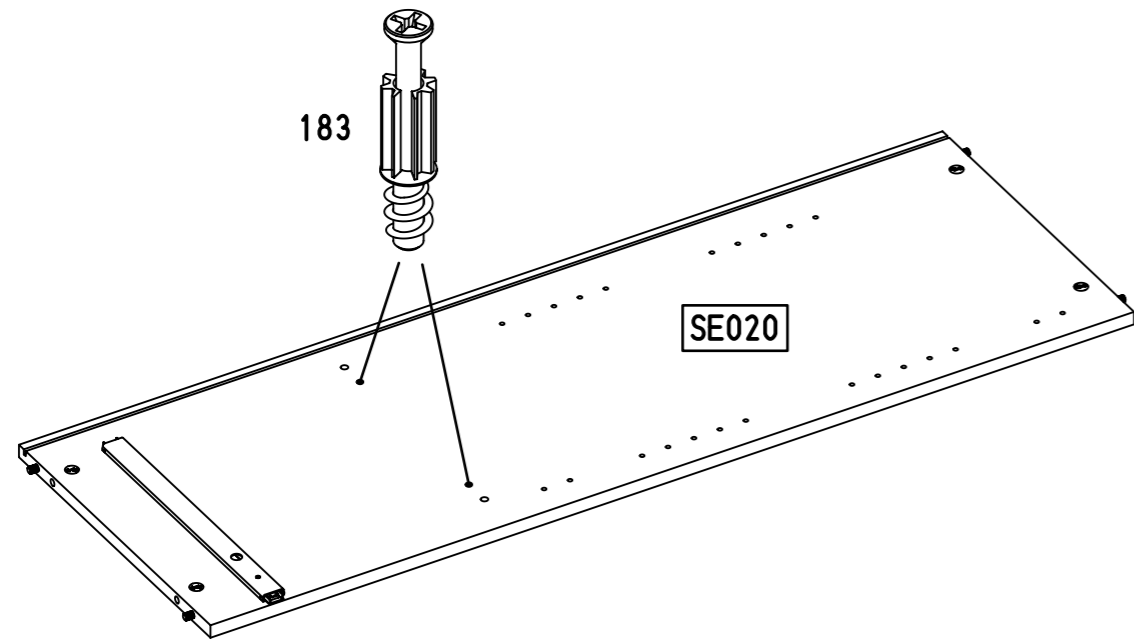
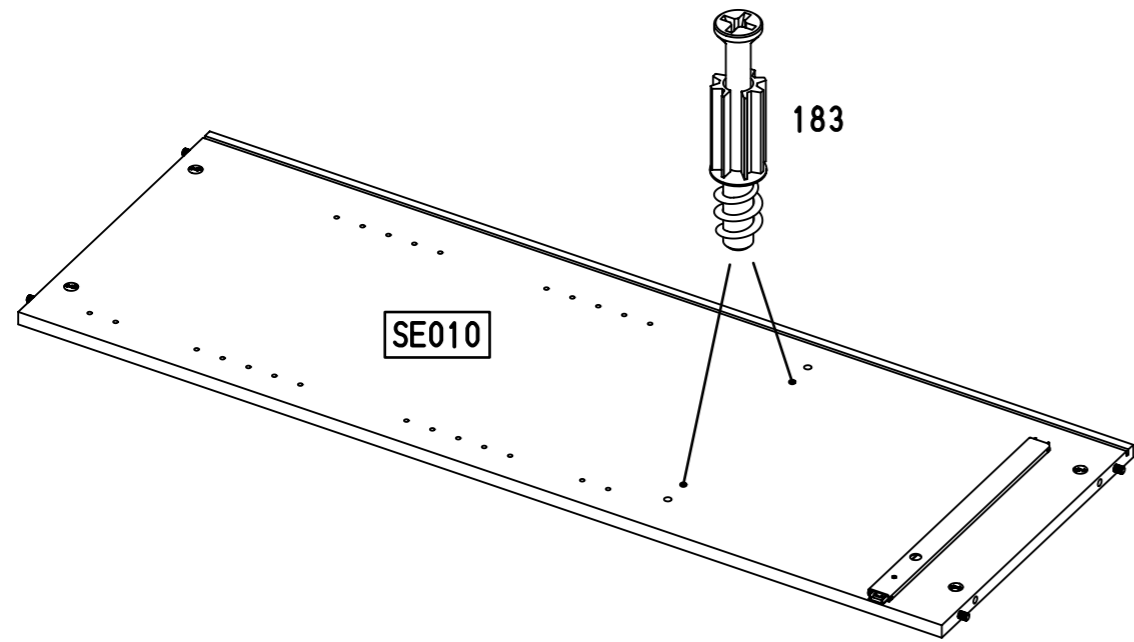
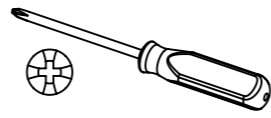
2. 227

13

4x 183

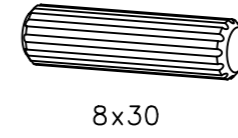


23/10x7,5

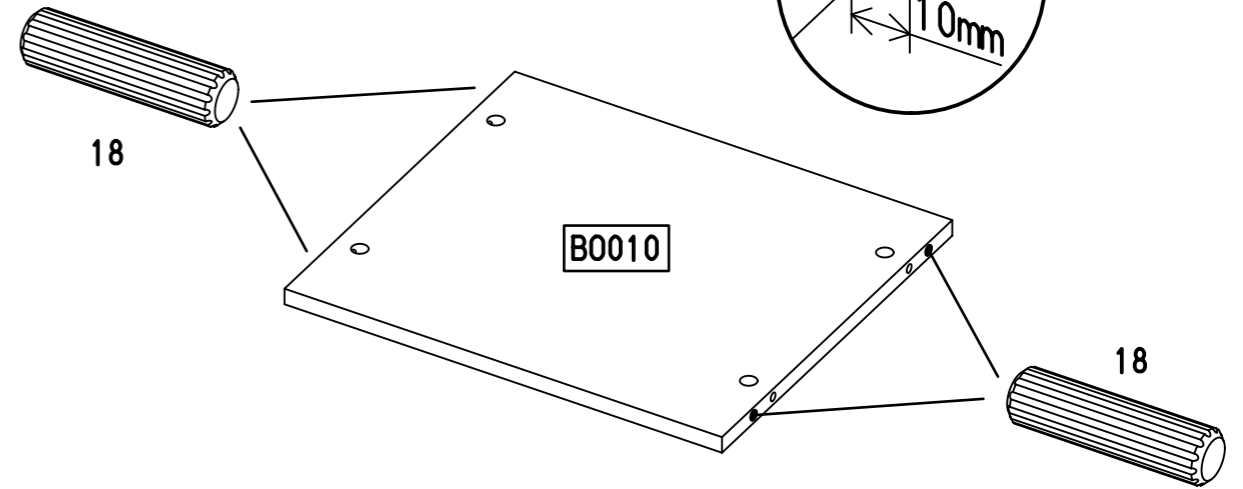
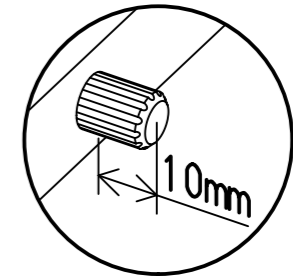


14

4x 18



8x30



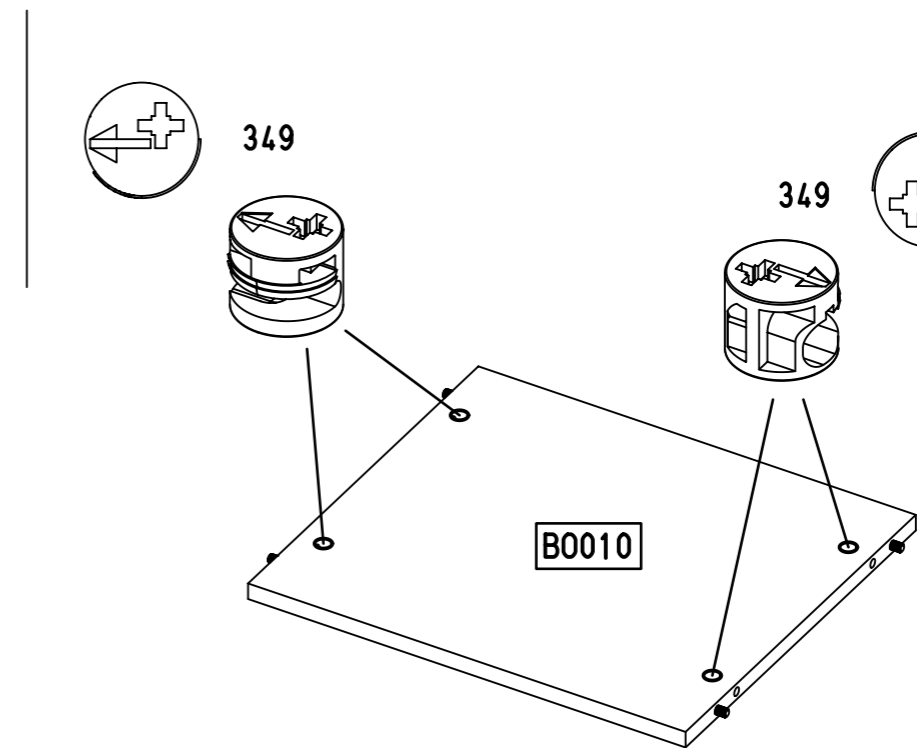
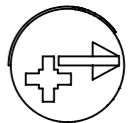
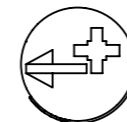
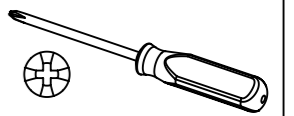
15

4x 349

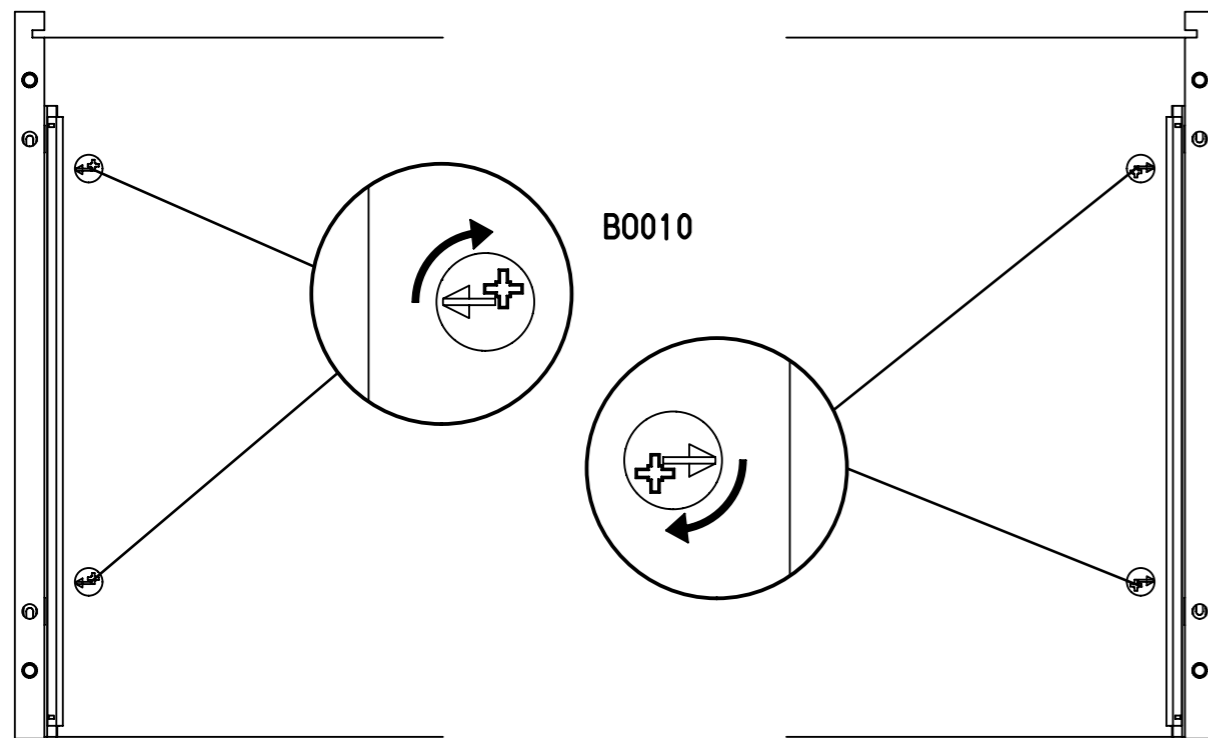
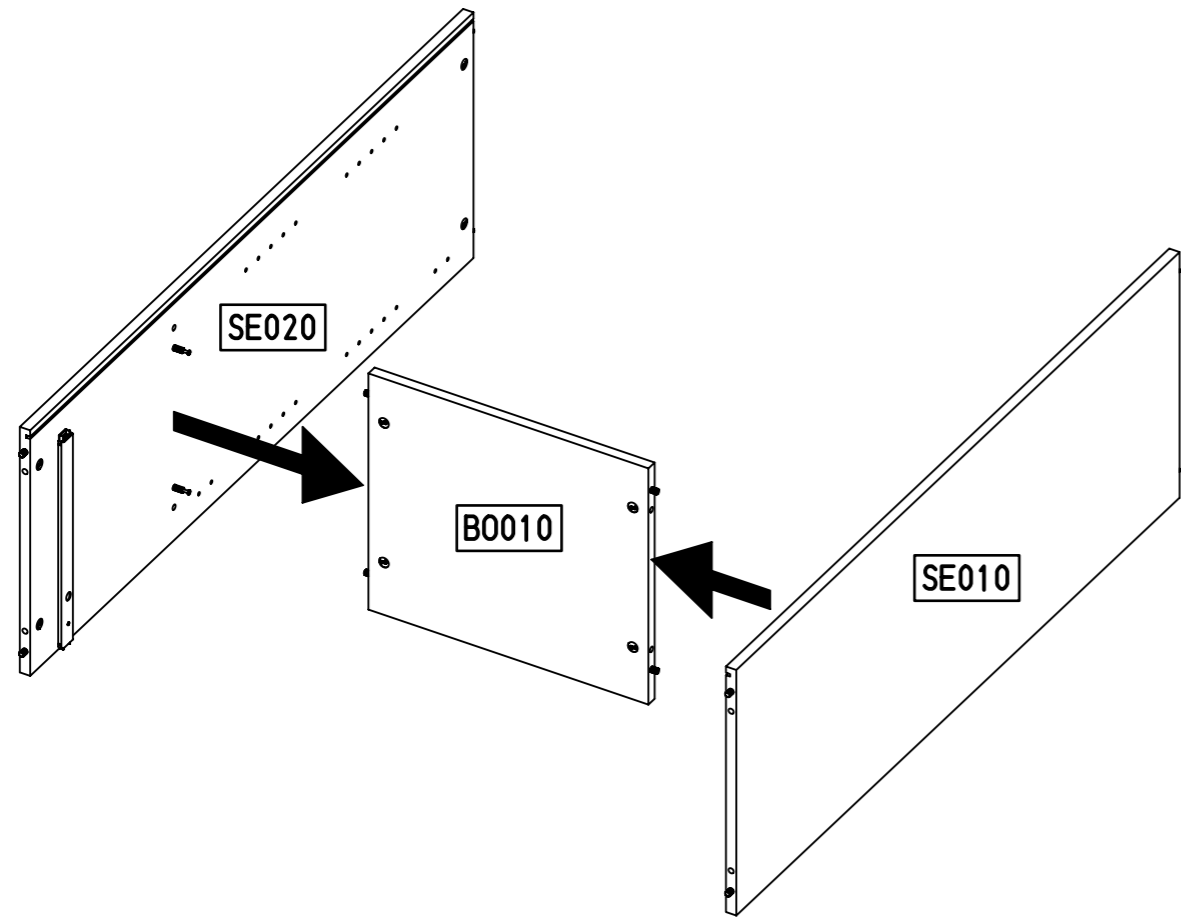
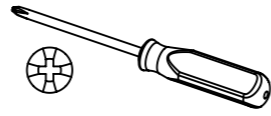


349

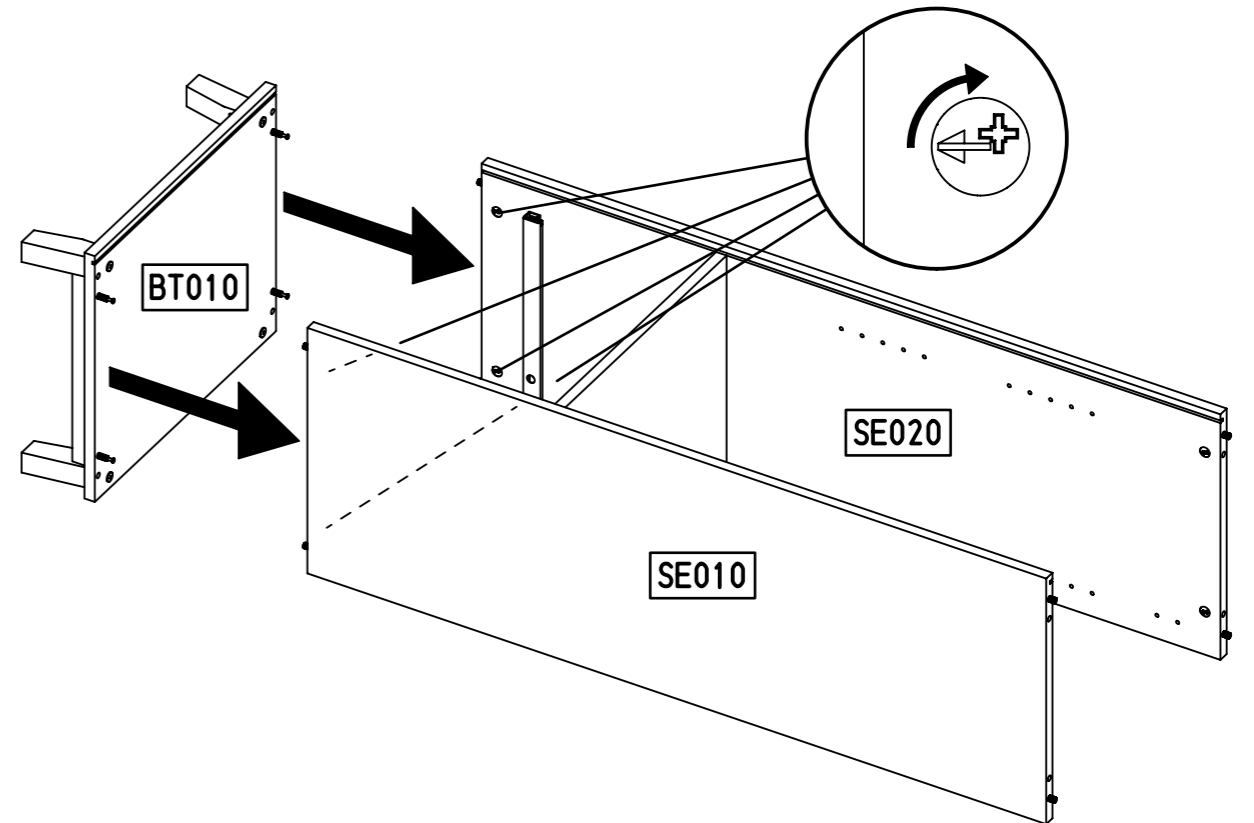
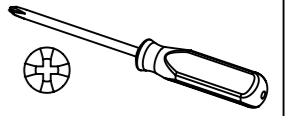
349



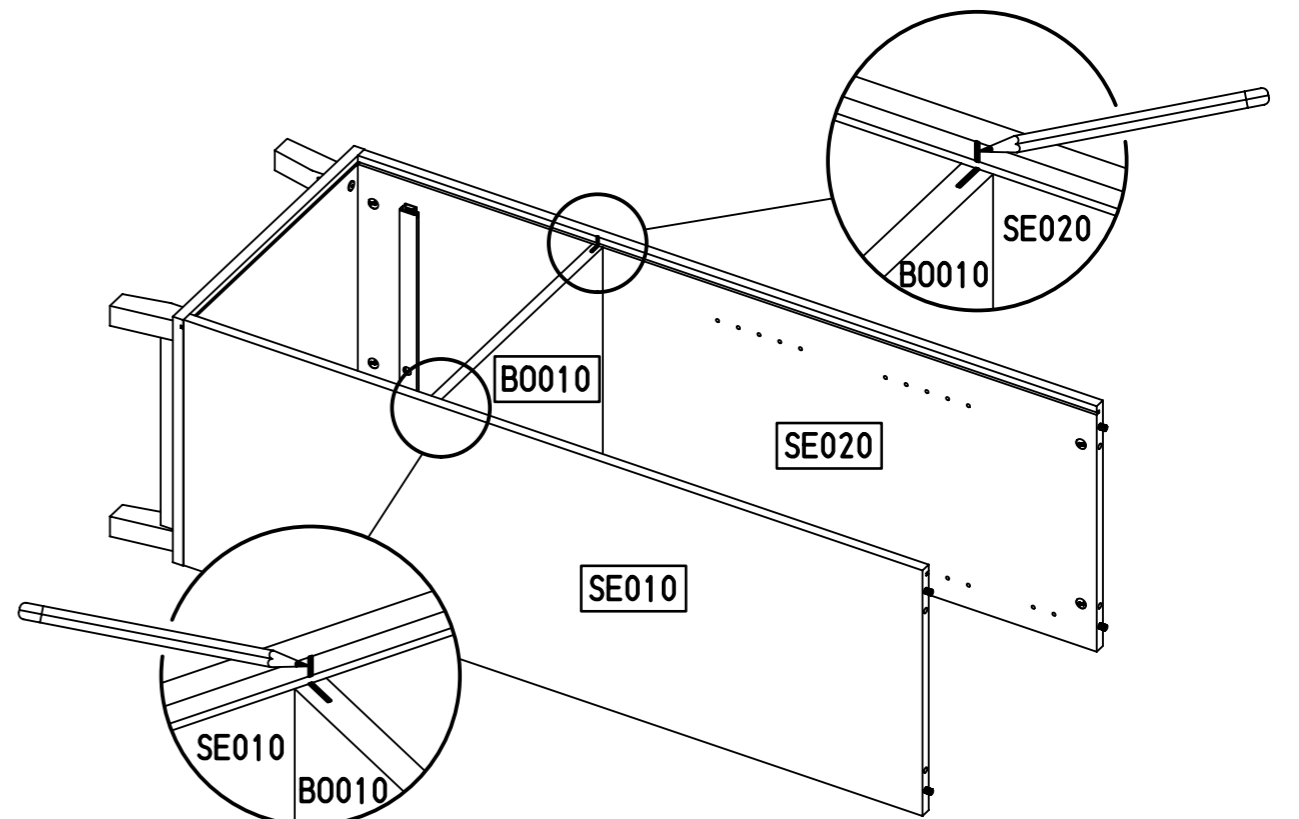
16



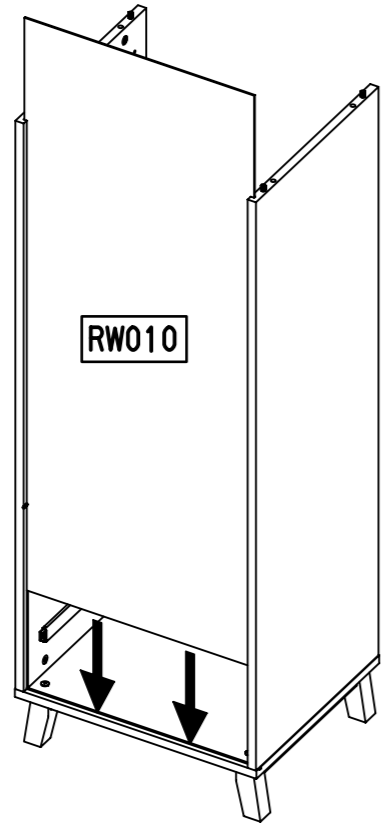
17



18

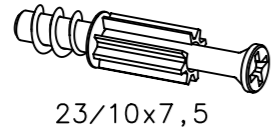


19

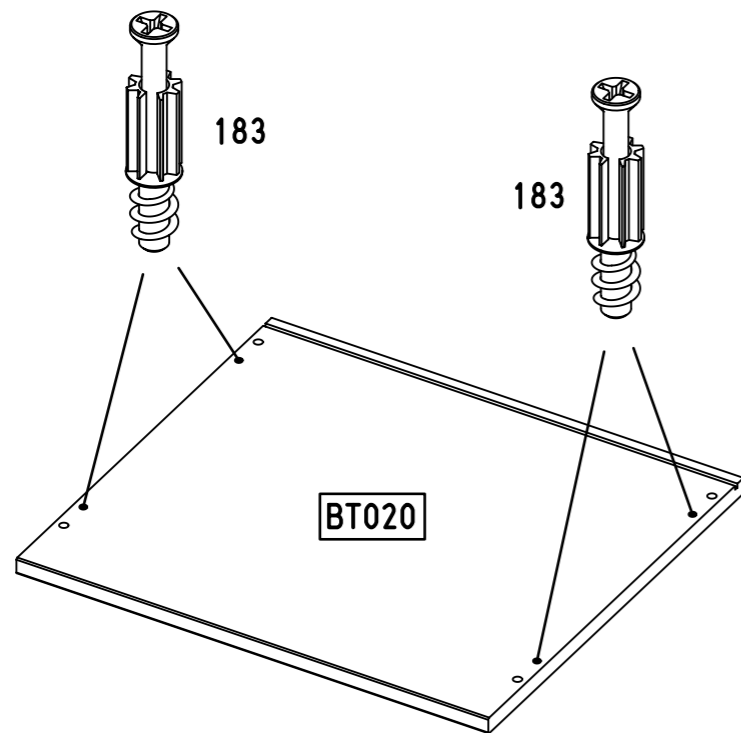
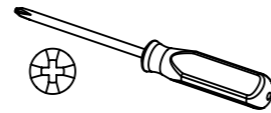


20

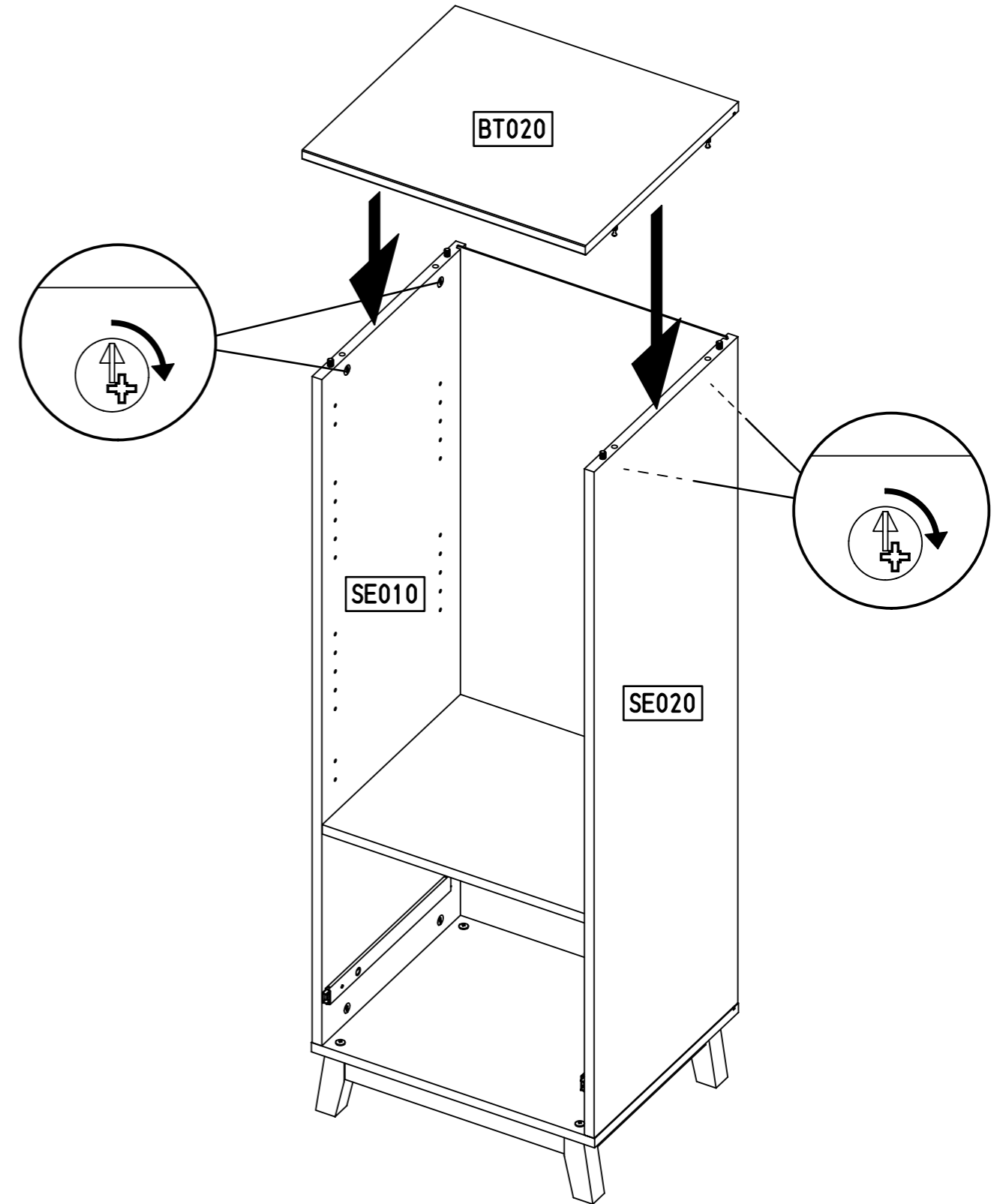
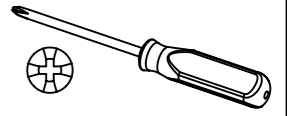
4x 183



23/10x7,5

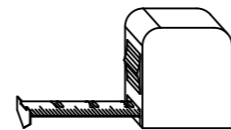
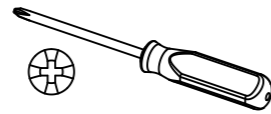
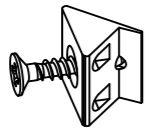


21

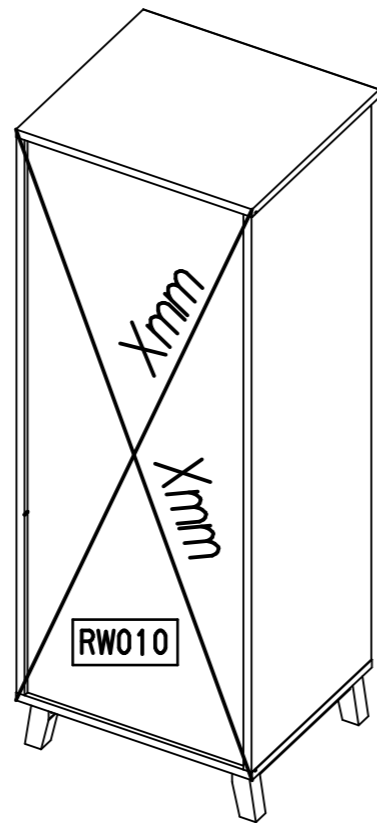
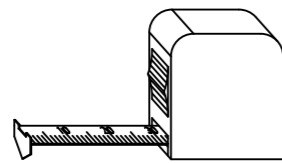


22

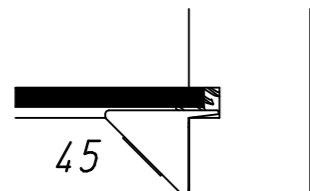
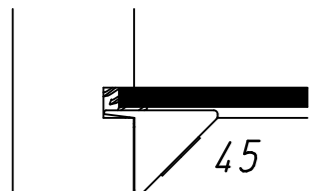
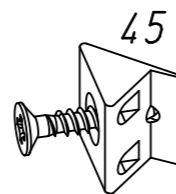
6x 45



Xmm = Xmm

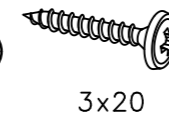


RW010

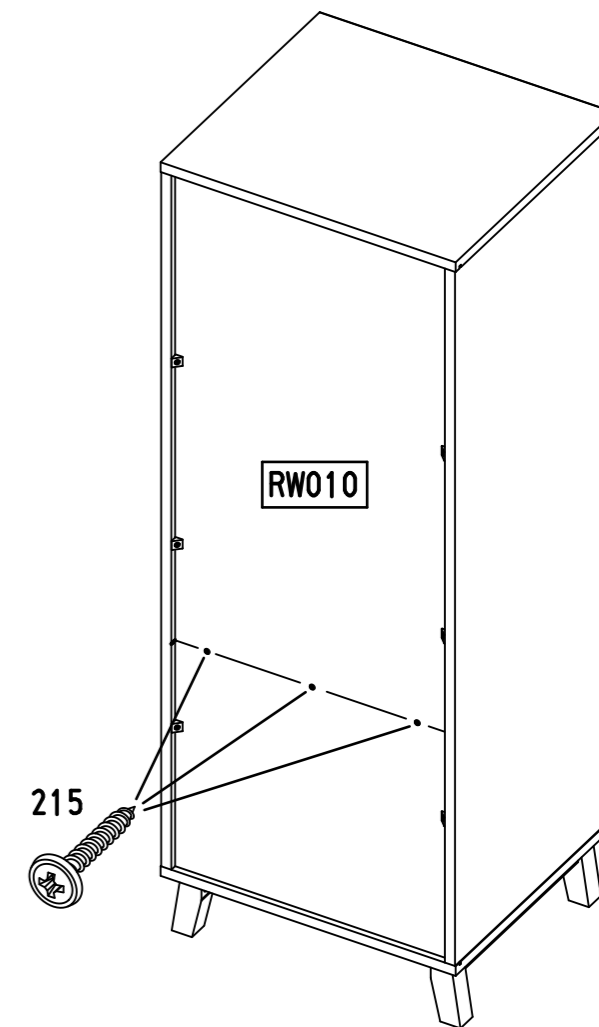
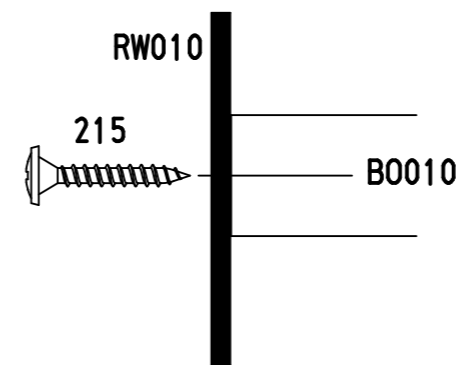
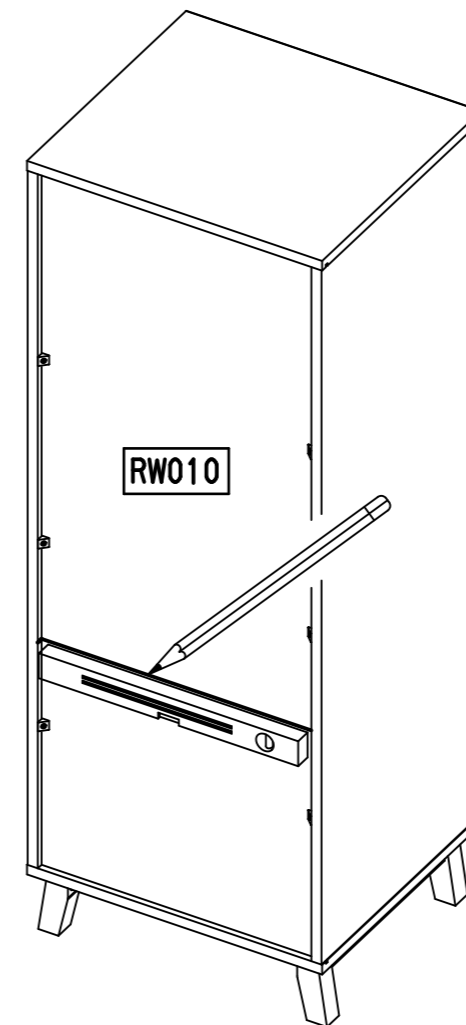
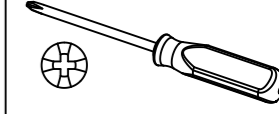
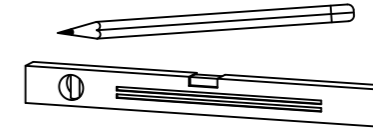


23

3x 215

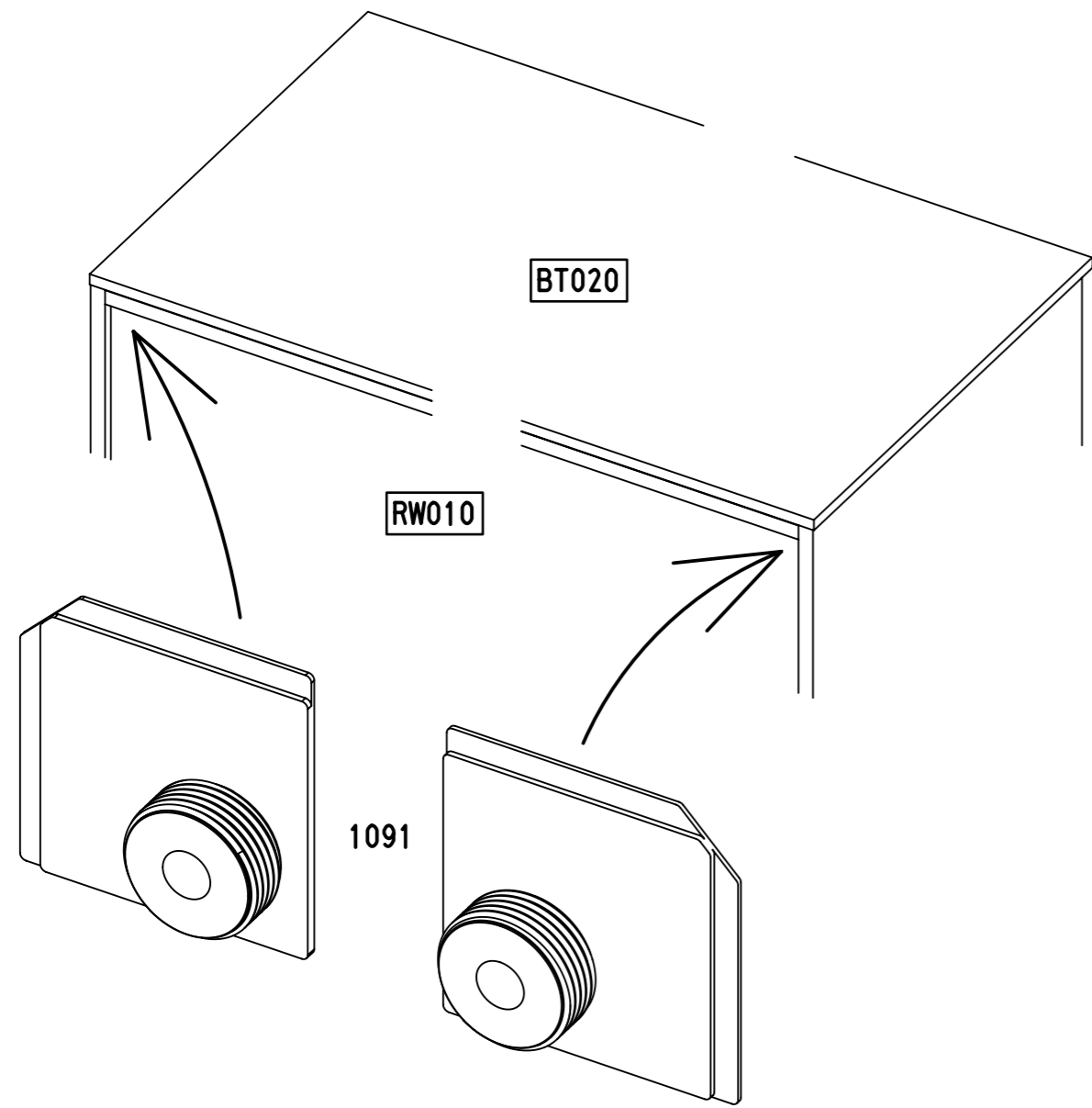
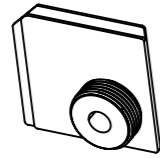


3x20

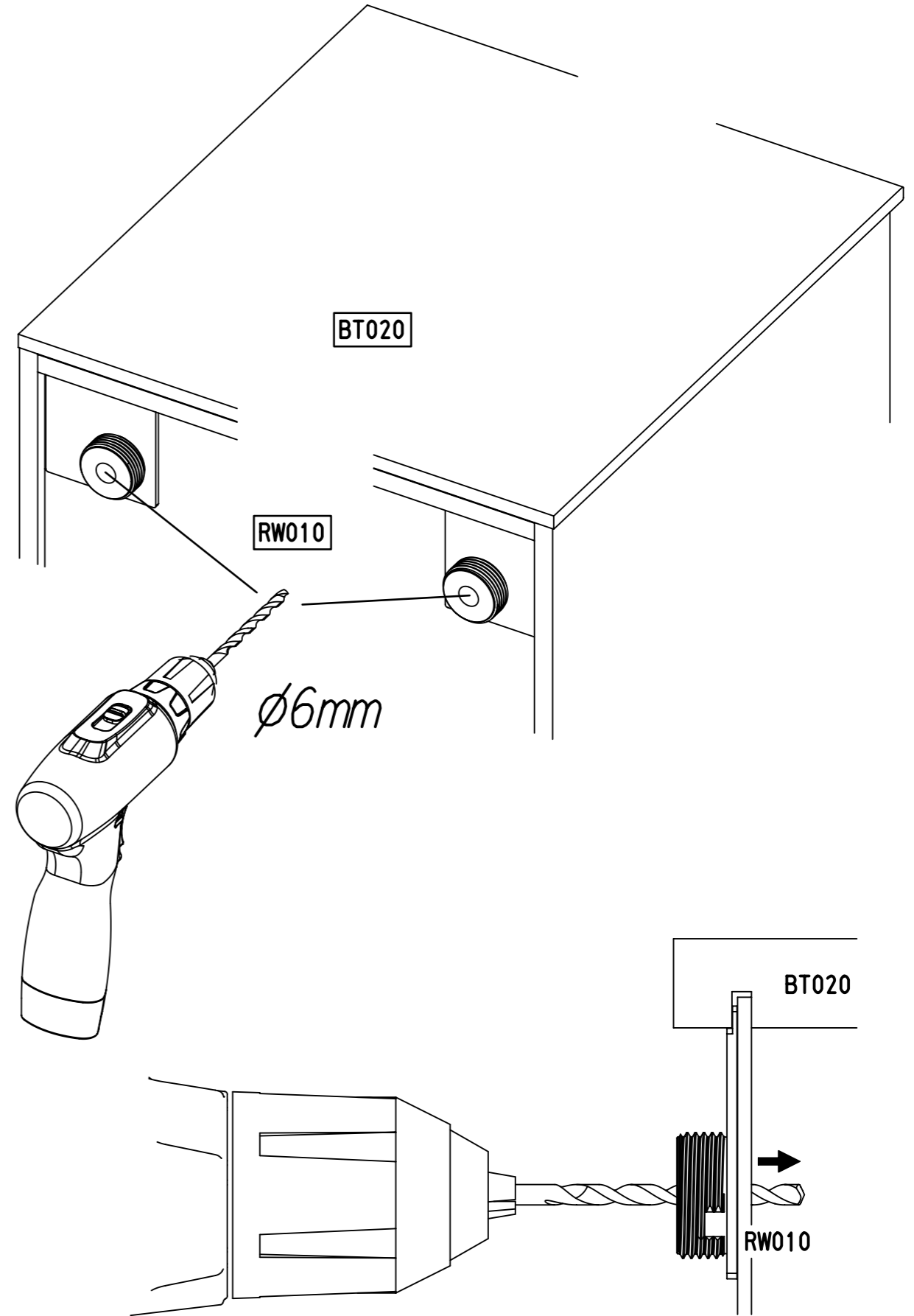
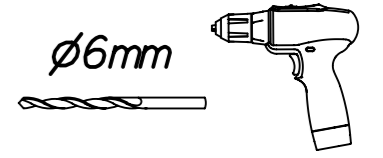


24

2x 1091

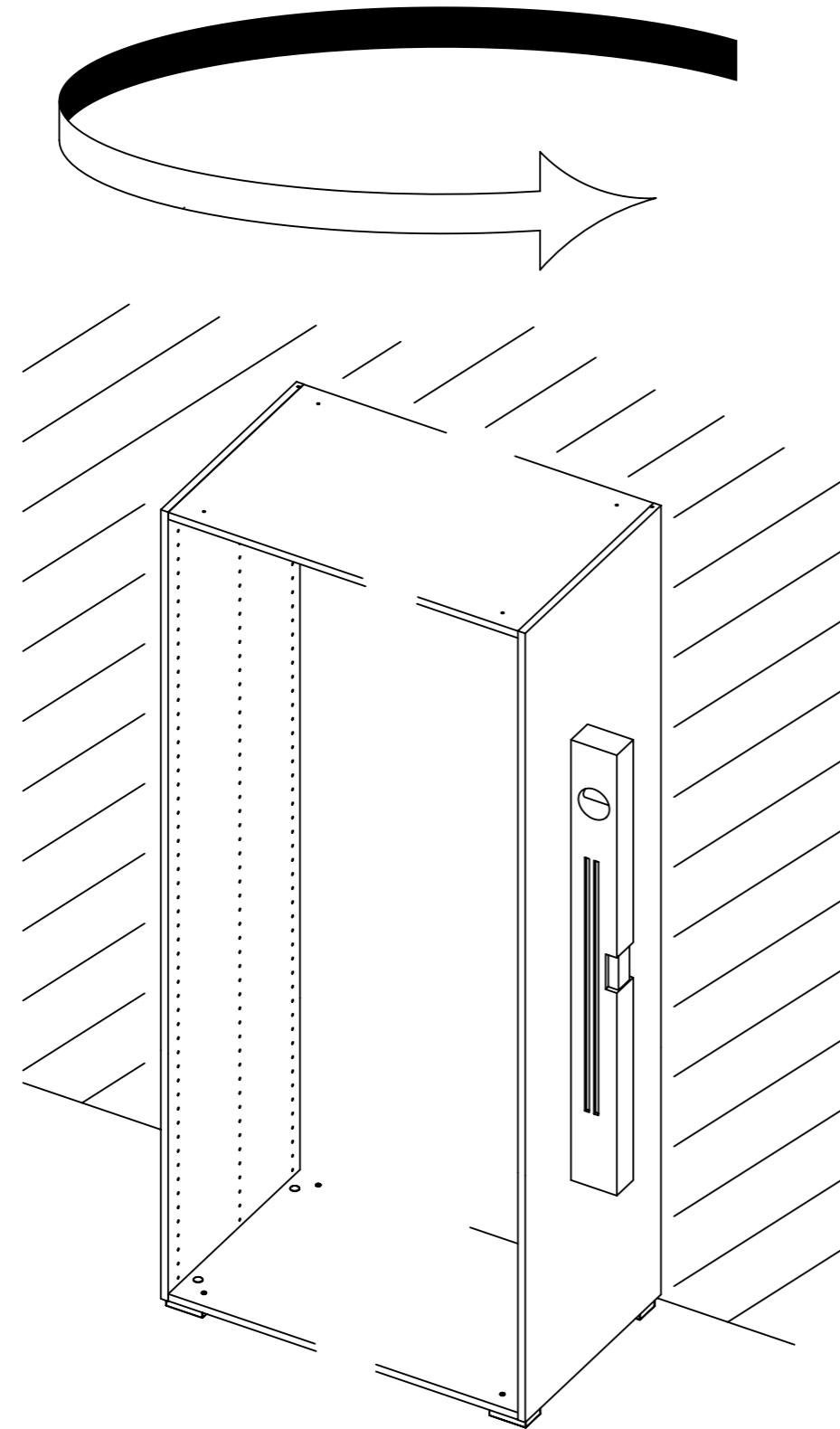
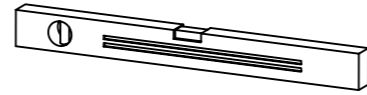


25



25.

26

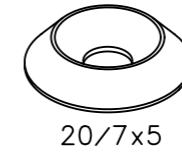


M2431

26.

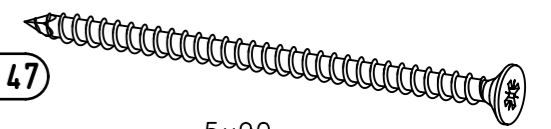
27

2x 1093

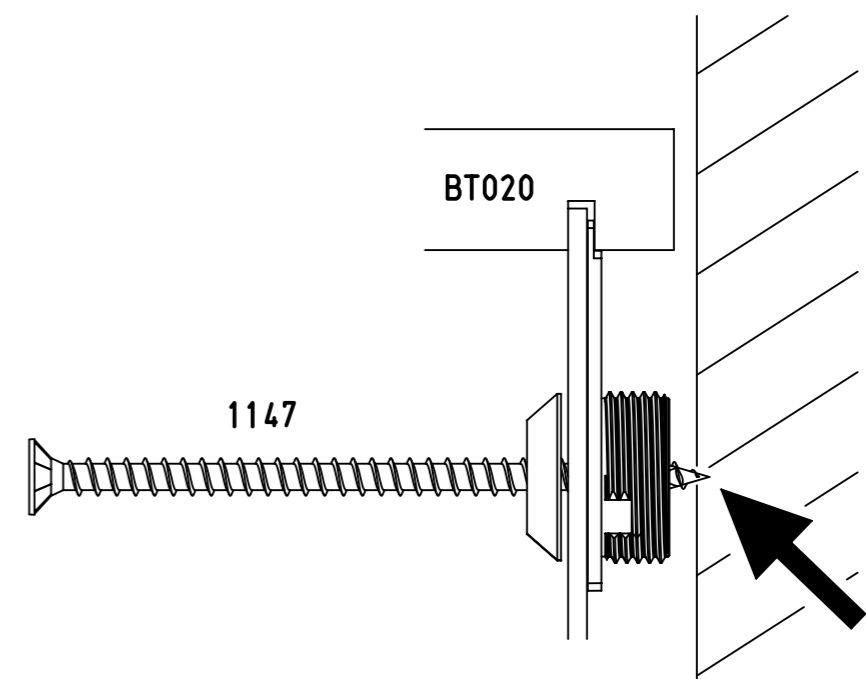
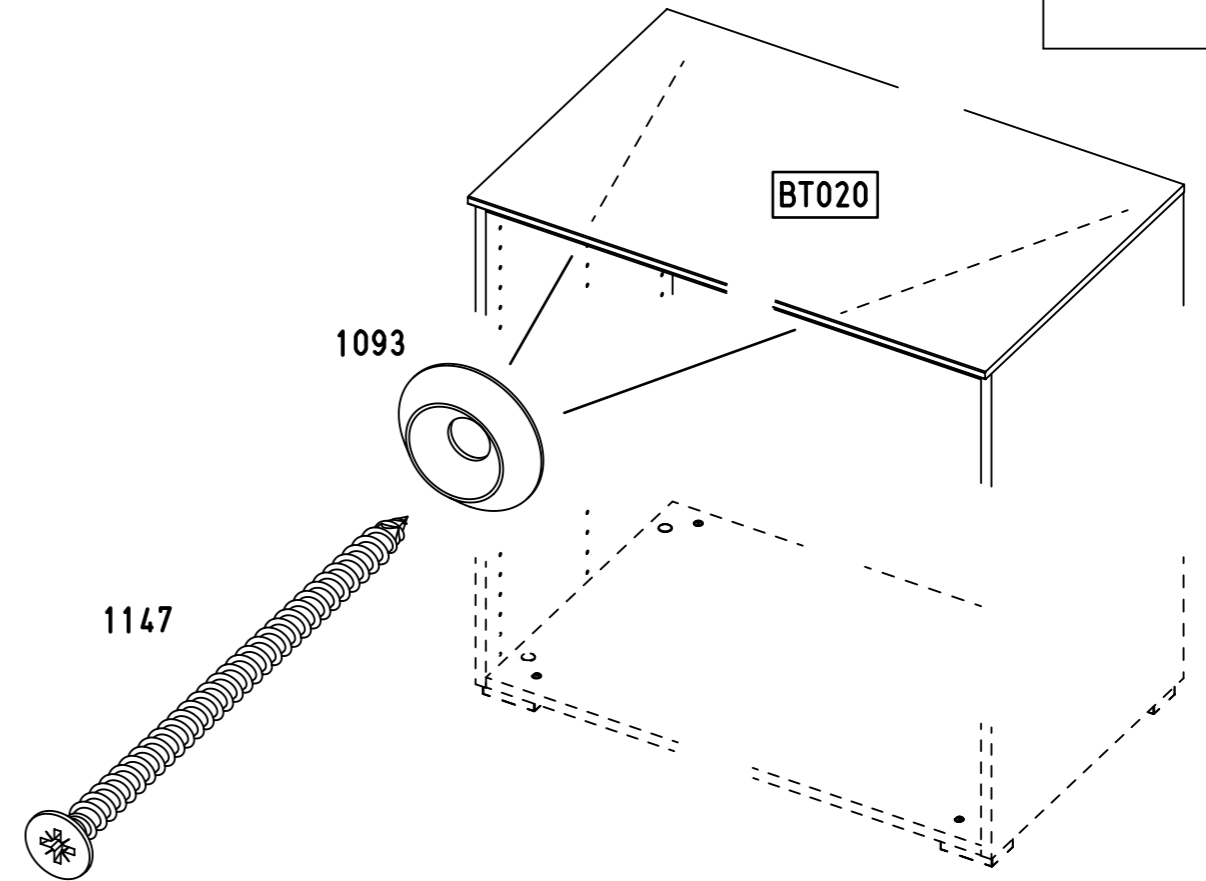
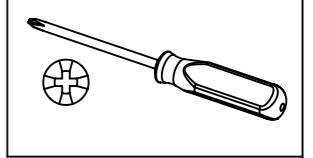


20/7x5

2x 1147



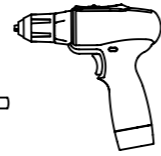
5x90



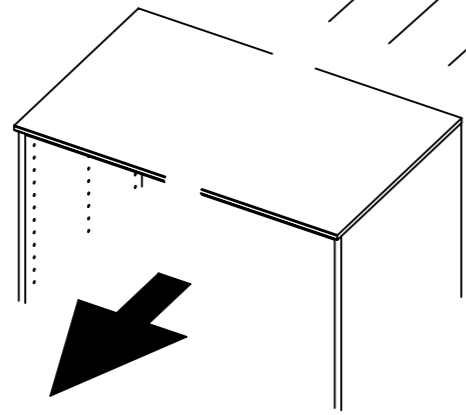
M2431

28

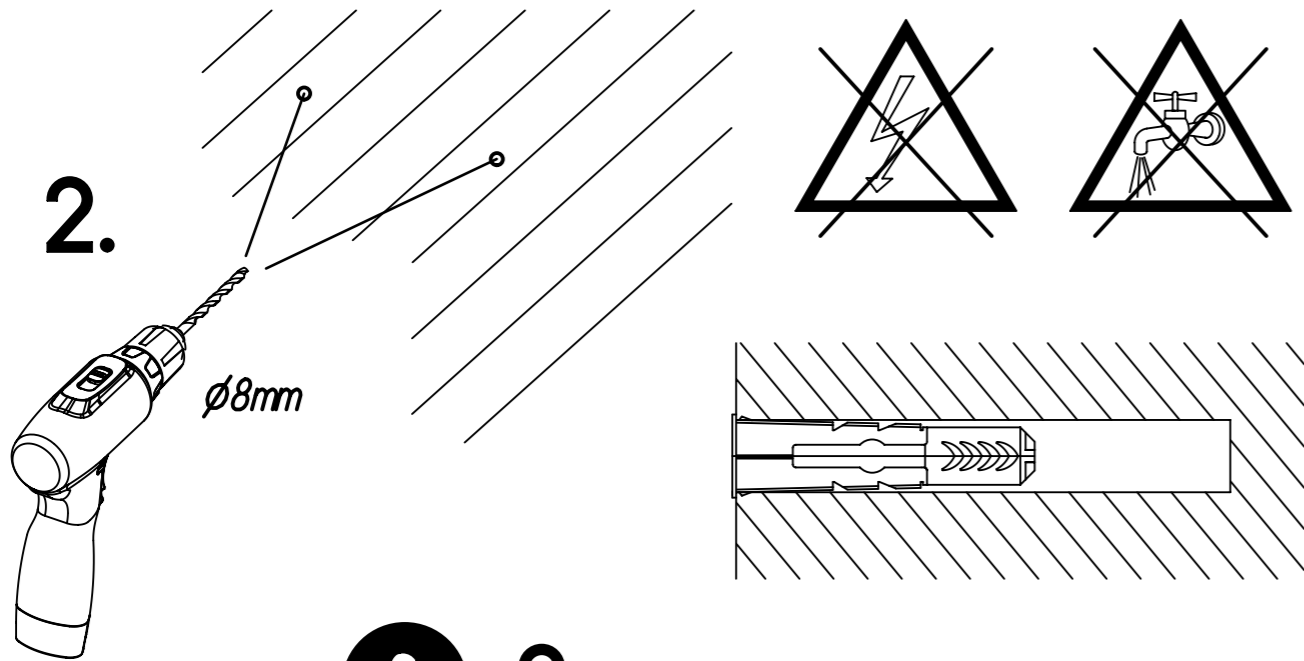
∅8mm



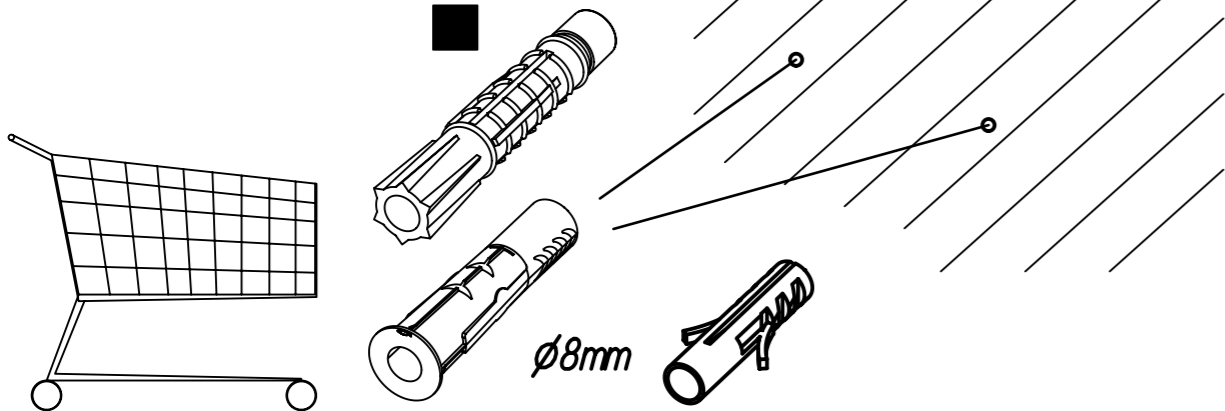
1.



2.

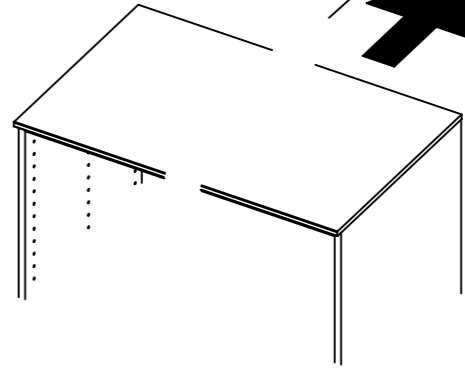
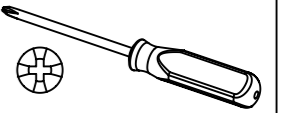
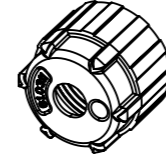


3.

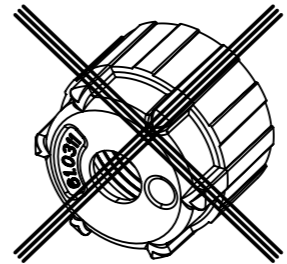


29

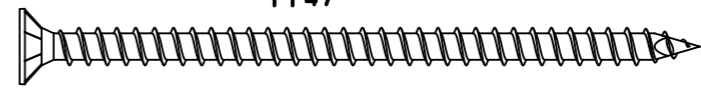
2x 1092



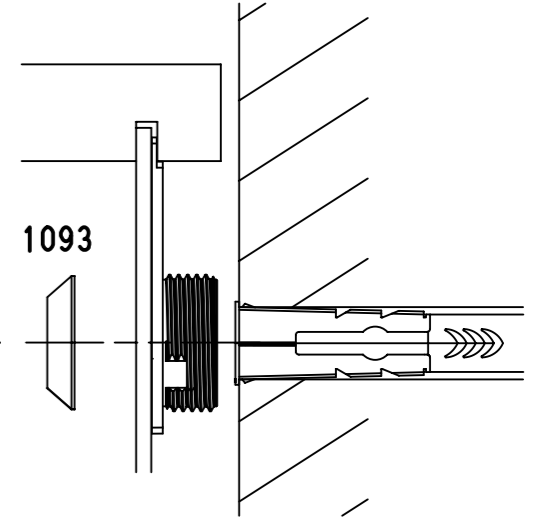
1092



1147



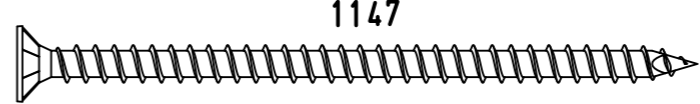
1093



10-15mm

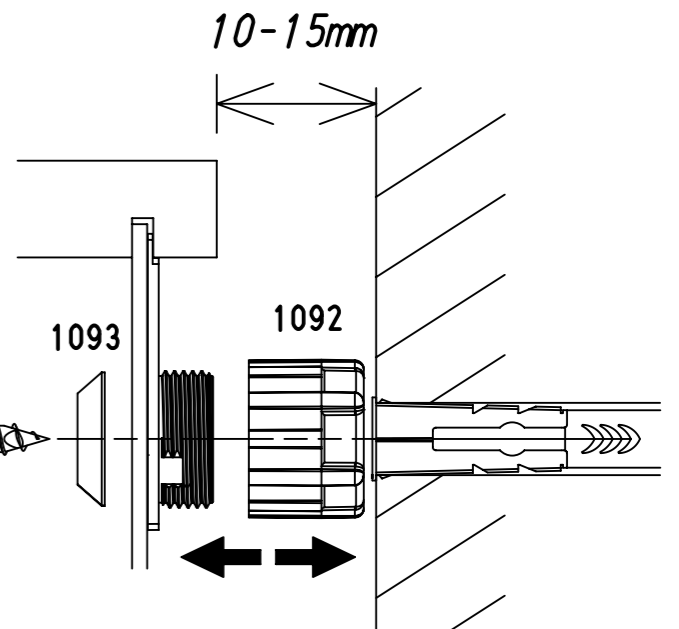


1147



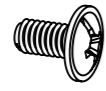
1093

1092

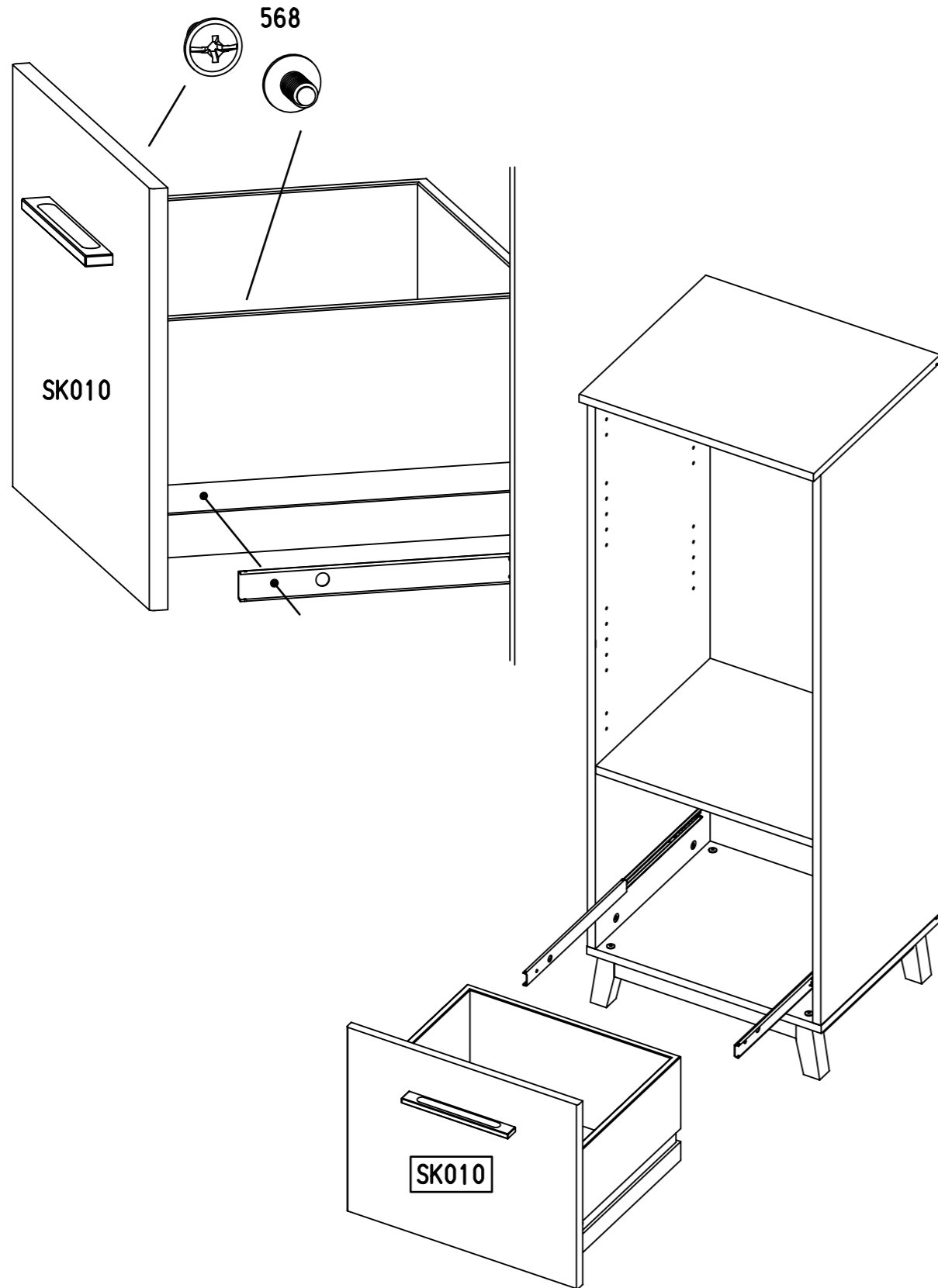
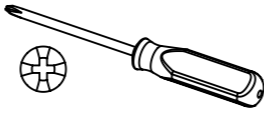


30

2x 568

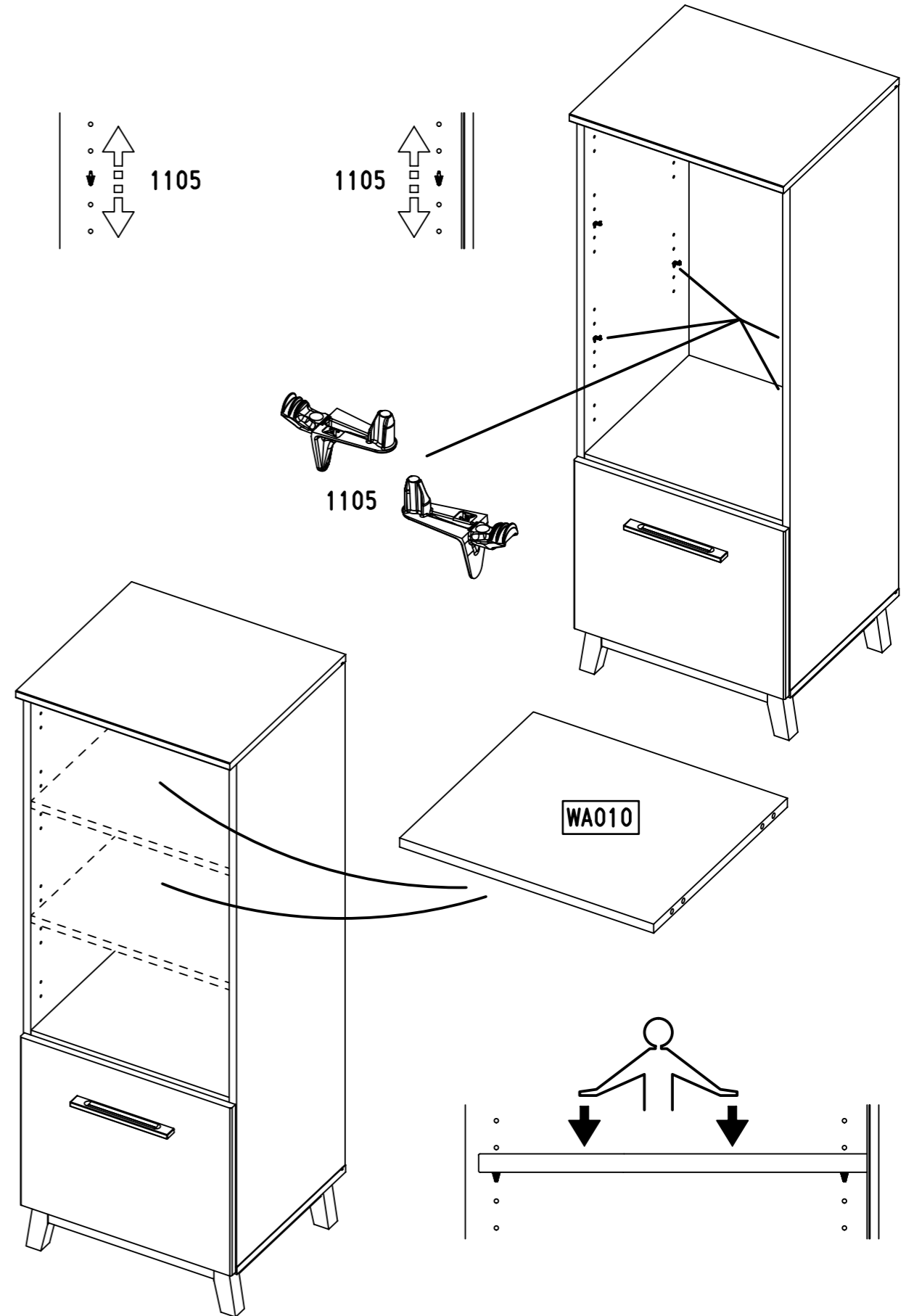


M4x9



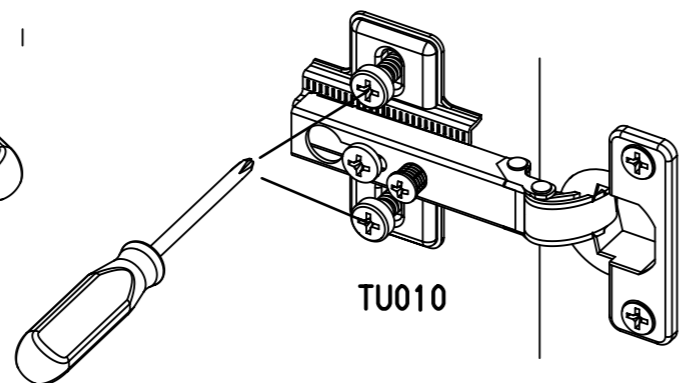
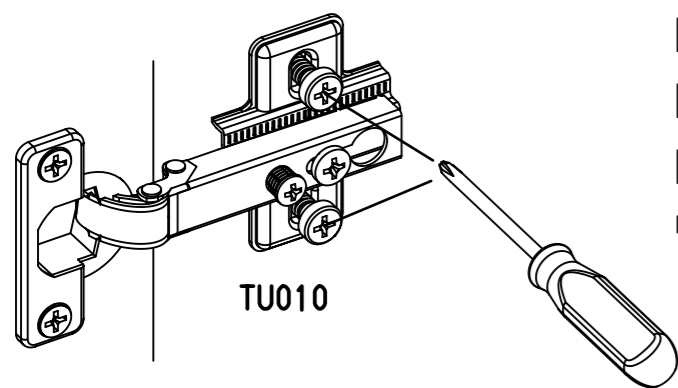
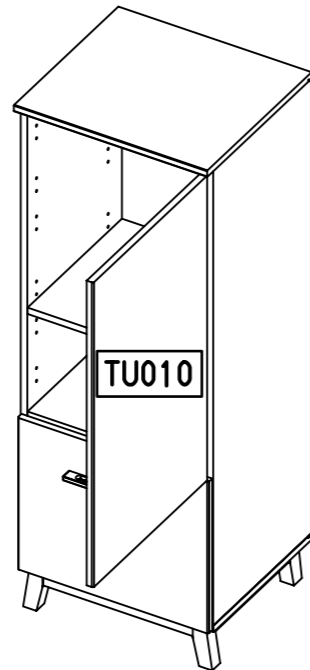
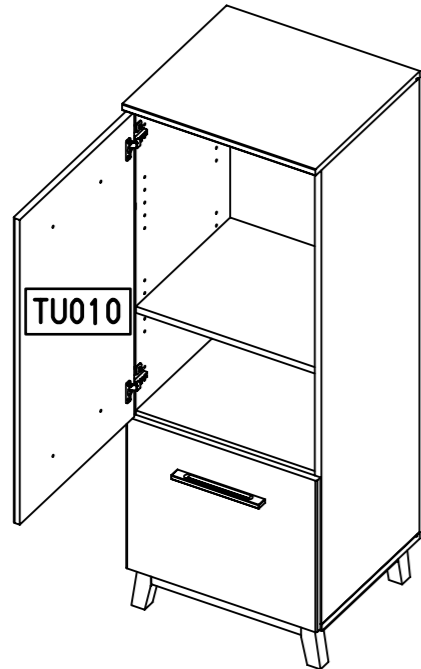
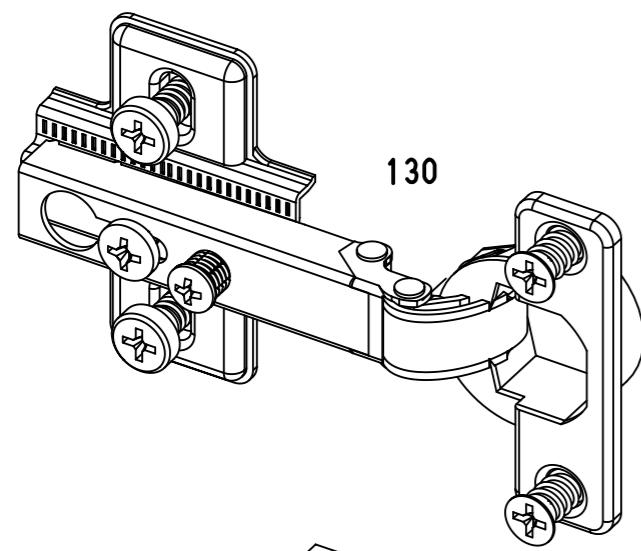
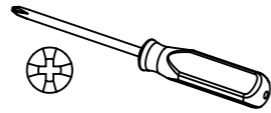
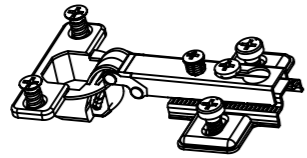
31

8x 1105

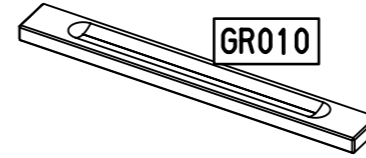


32

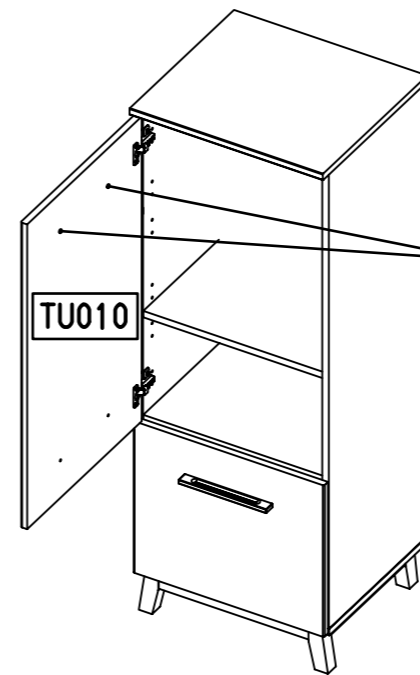
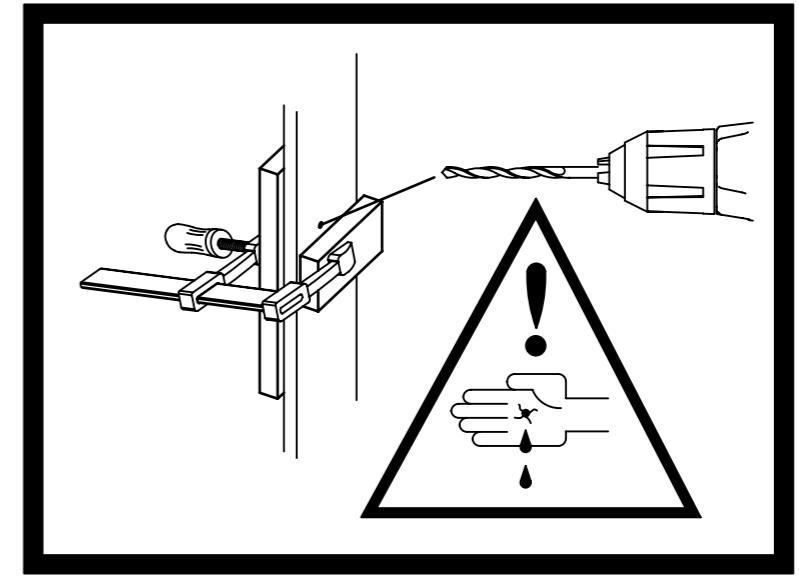
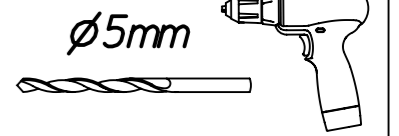
2x 130



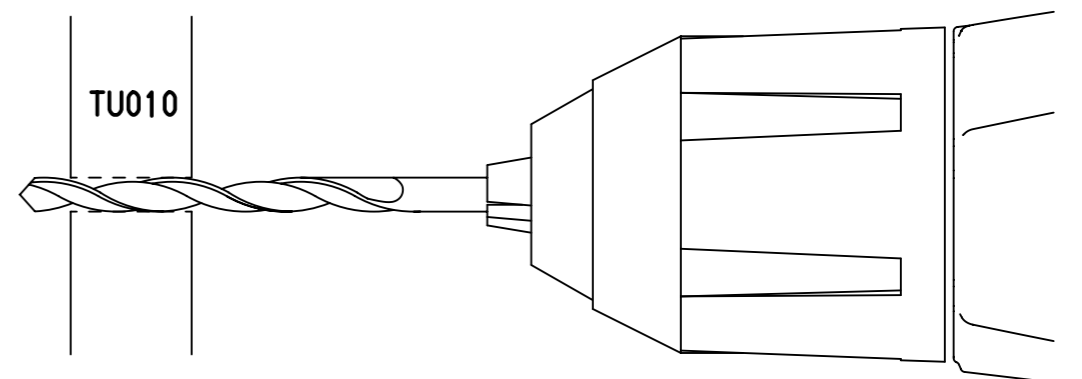
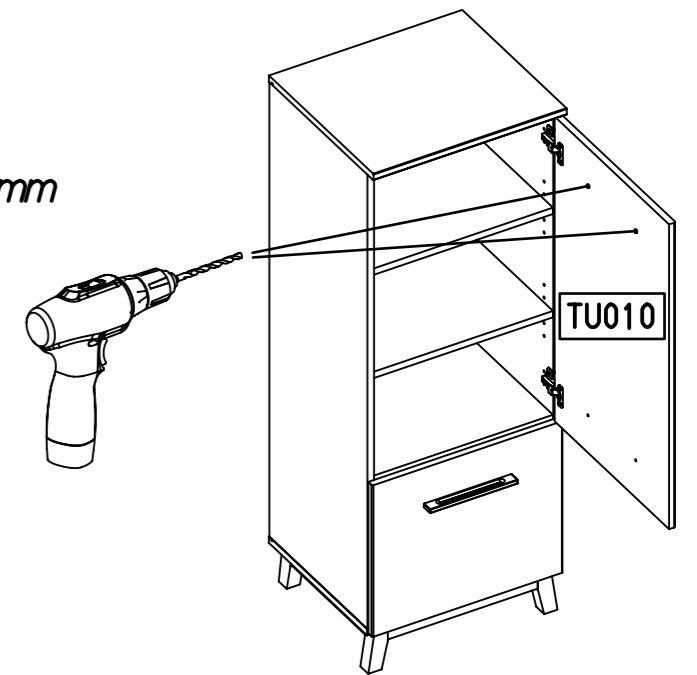
33



2x 611



ø5mm



34

