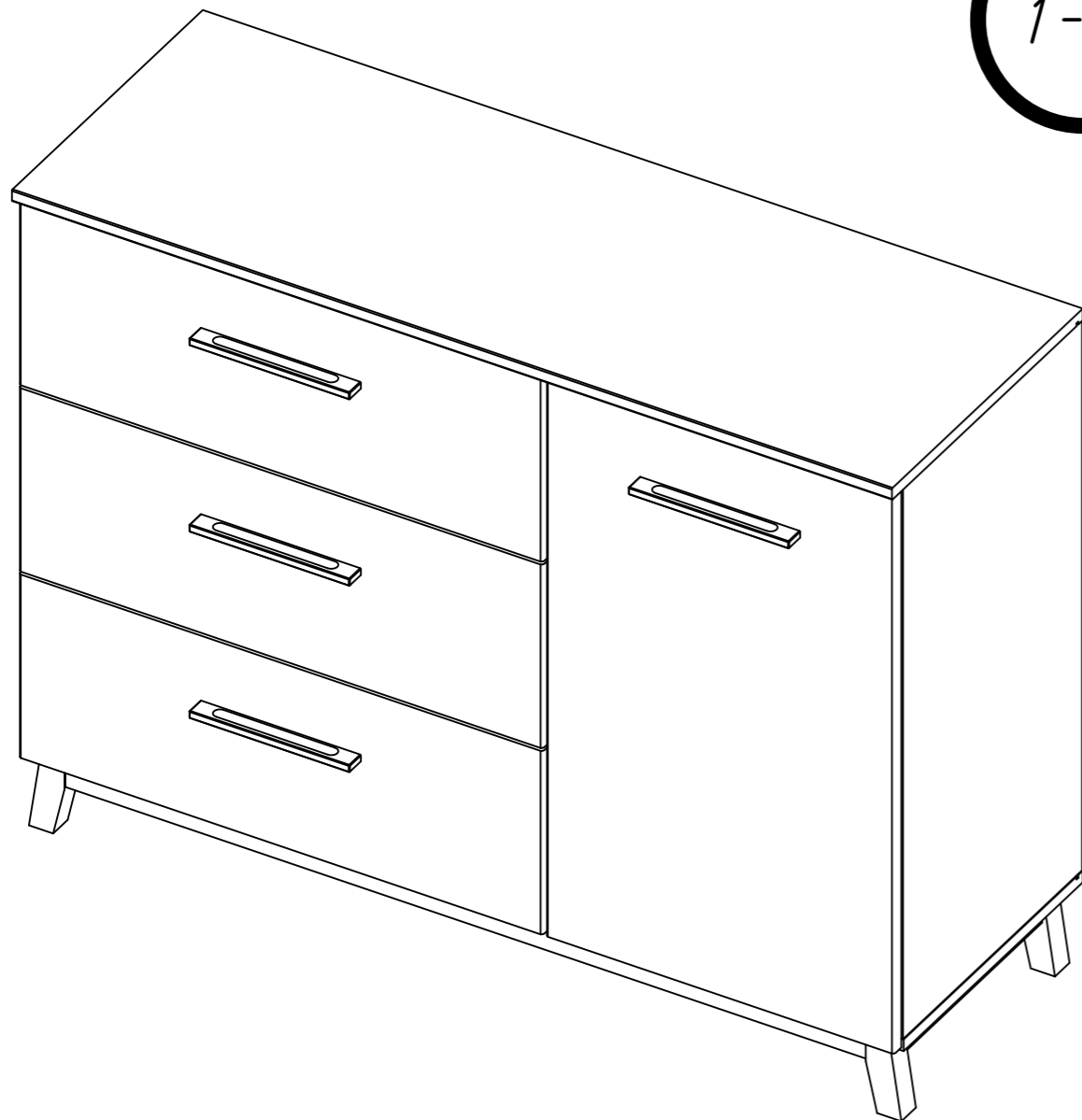
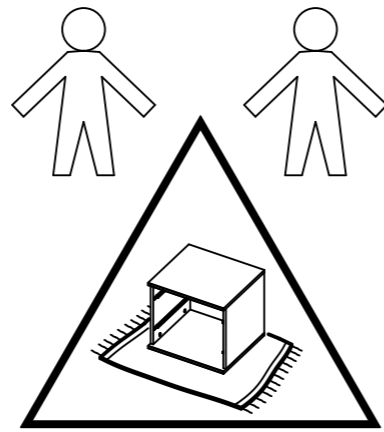
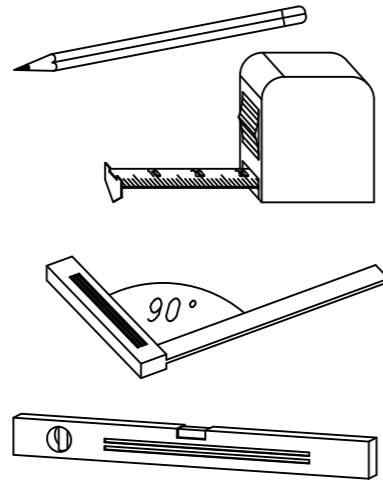
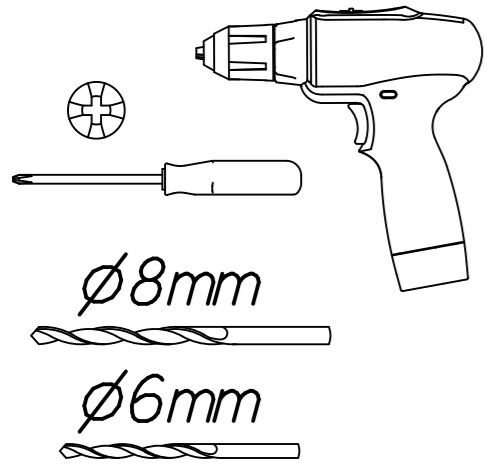


1.

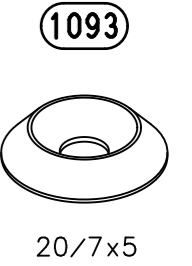
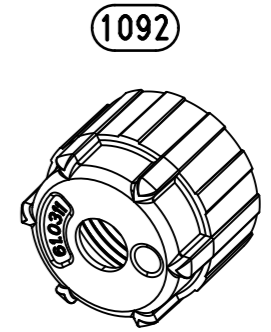
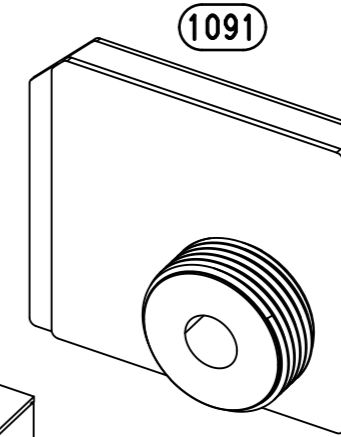
M2430\_03



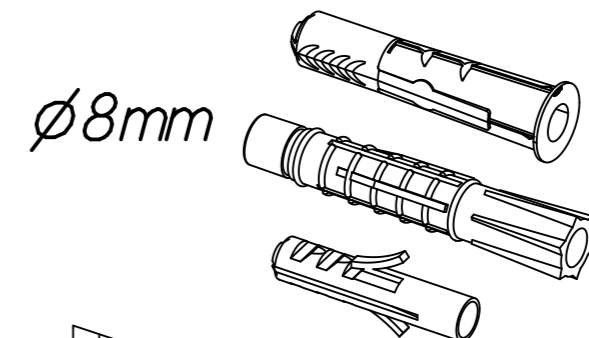
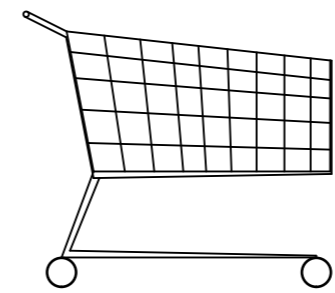
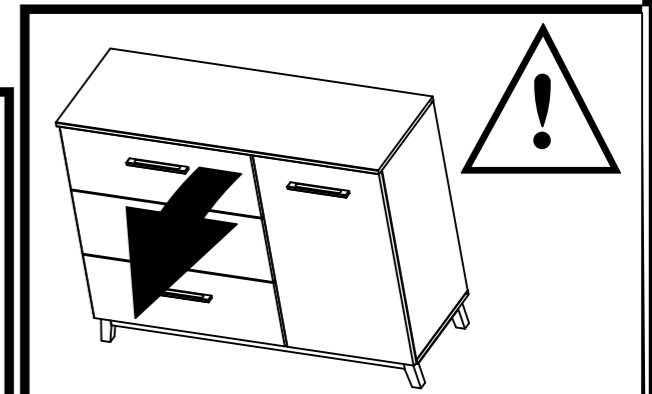
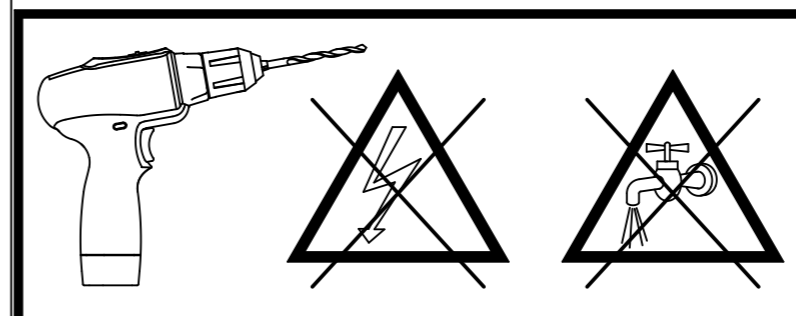
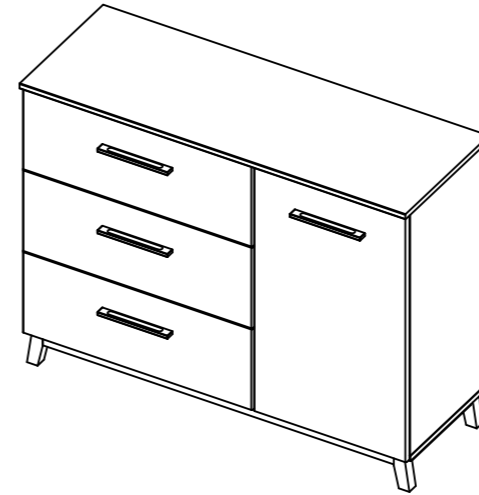
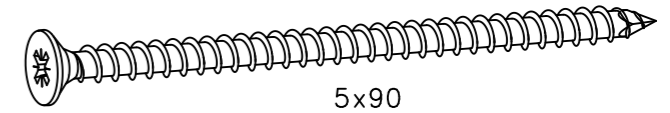
1-2h

2.

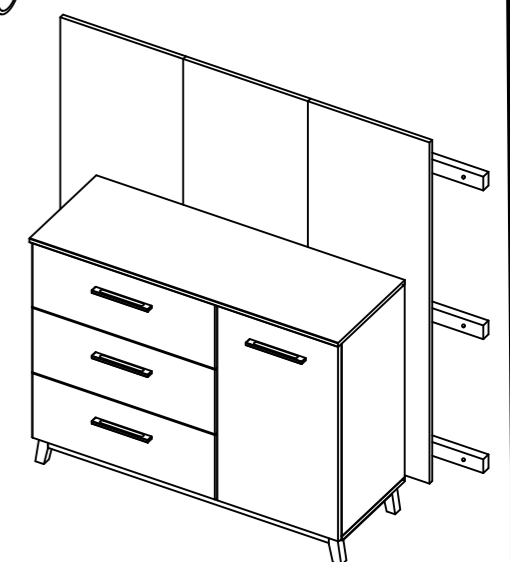
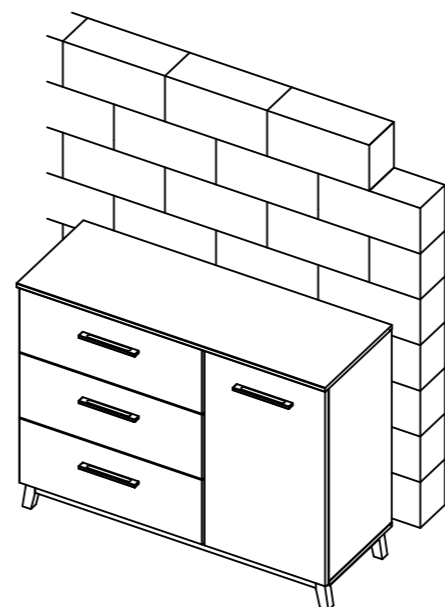
2x

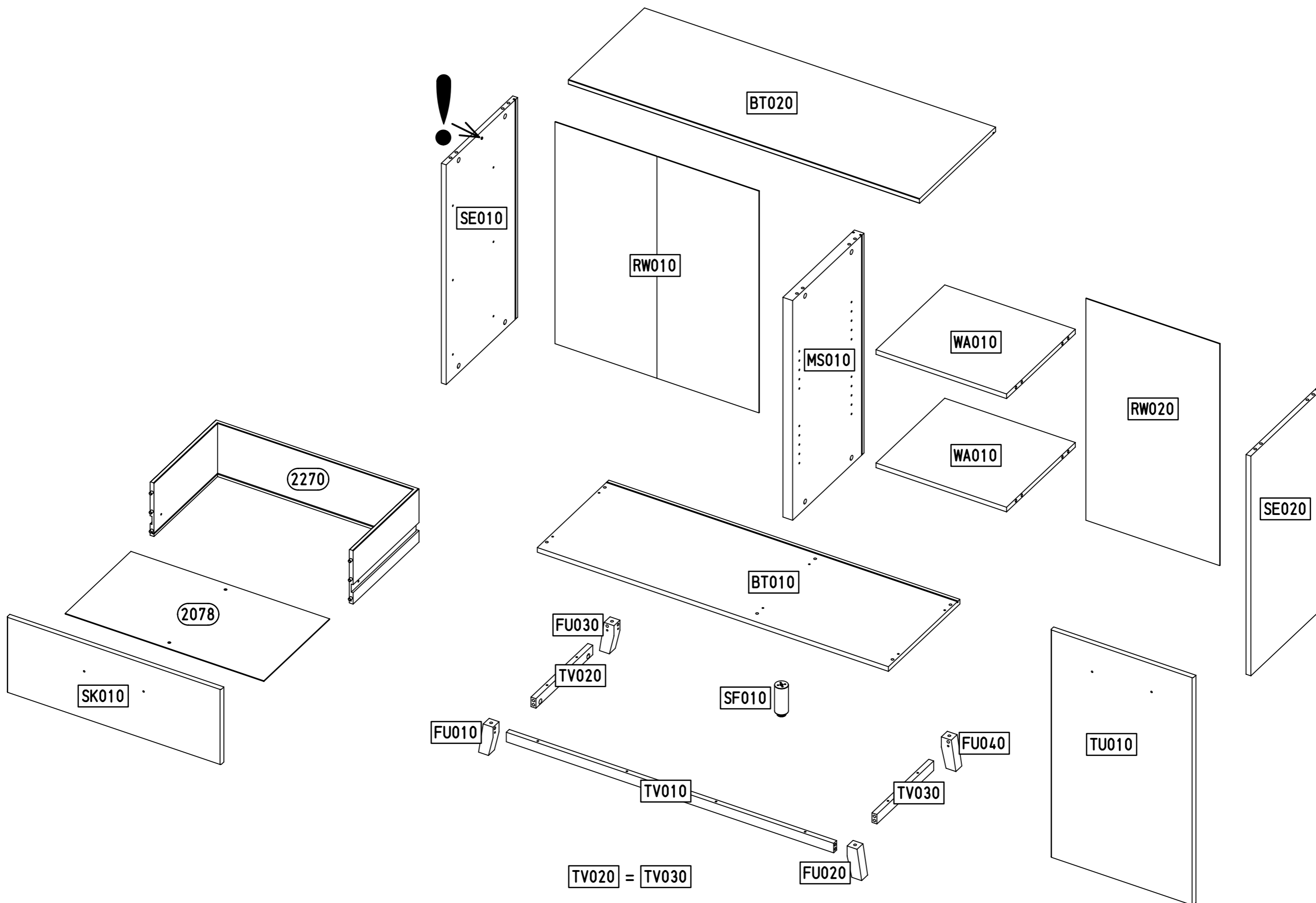


1147



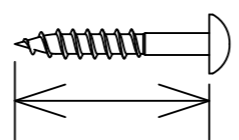
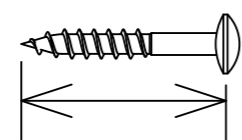
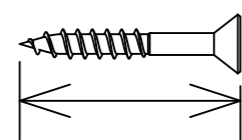
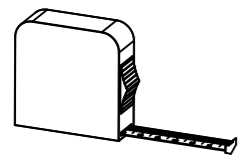
?





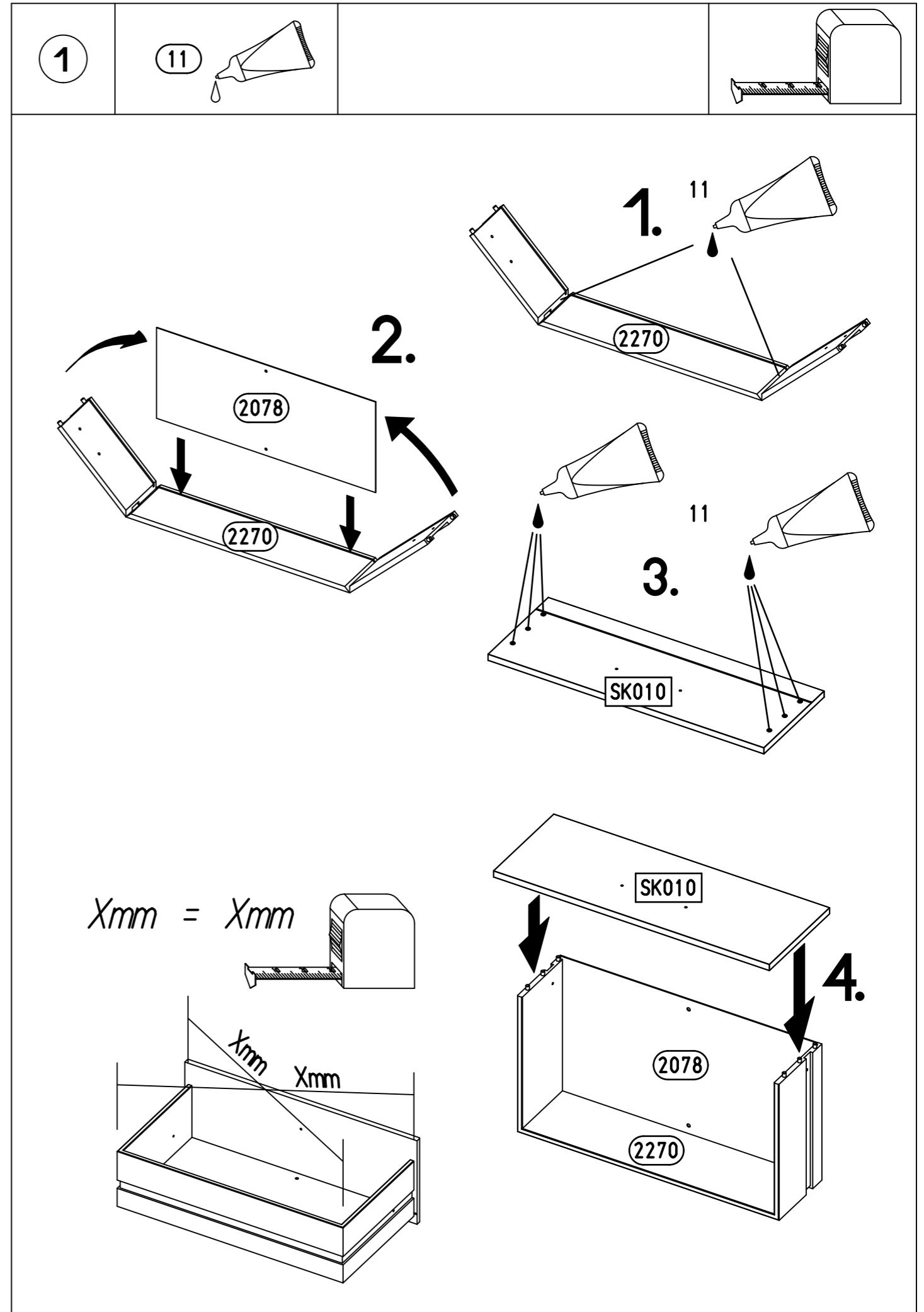
5.

|  |  |                                      |                                       |
|--|--|--------------------------------------|---------------------------------------|
| <p><b>6x</b> (1)</p>                         | <p>(11)</p>                              | <p><b>18x</b> (18)</p> <p>8x30</p>   | <p><b>2x</b> (130)</p>                |
| <p><b>18x</b> (183)</p> <p>23/10x7,5/6,5</p> | <p><b>6x</b> (201)</p> <p>4x15</p>       | <p><b>8x</b> (214)</p> <p>4,5x35</p> | <p><b>12x</b> (227)</p> <p>6x10,5</p> |
| <p><b>4x</b> (245)</p> <p>M6x40</p>          | <p><b>6x</b> (259)</p> <p>342x27x9,5</p> |                                      | <p><b>18x</b> (349)</p>               |
| <p><b>6x</b> (568)</p> <p>M4x9</p>           | <p><b>8x</b> (45)</p>                    | <p><b>8x</b> (1105)</p>              | <p><b>4x</b> (318)</p> <p>3,5x30</p>  |
| <p>SF010</p>                                 |  |                                      | <p>SK010</p>                          |



M2430

6.

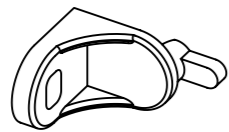


M2430

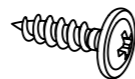
7.

2

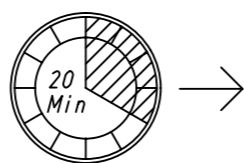
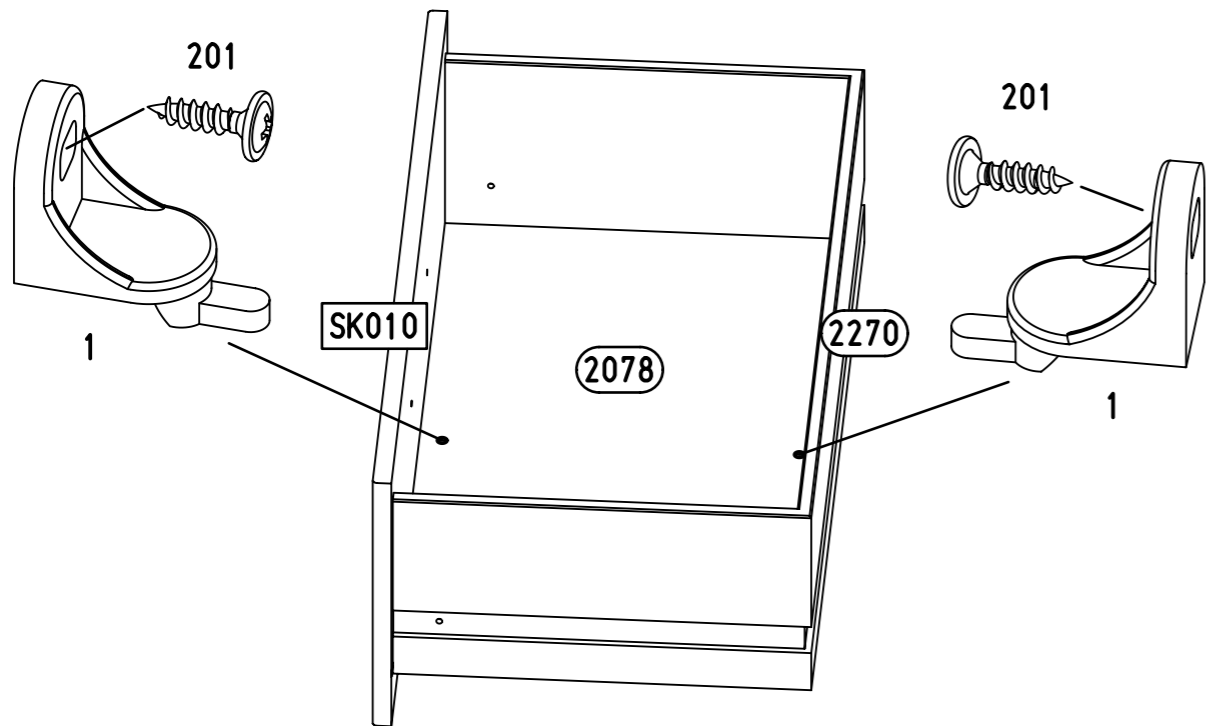
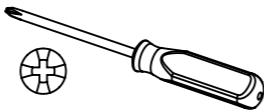
6x 1



6x 201



4x15



M2430

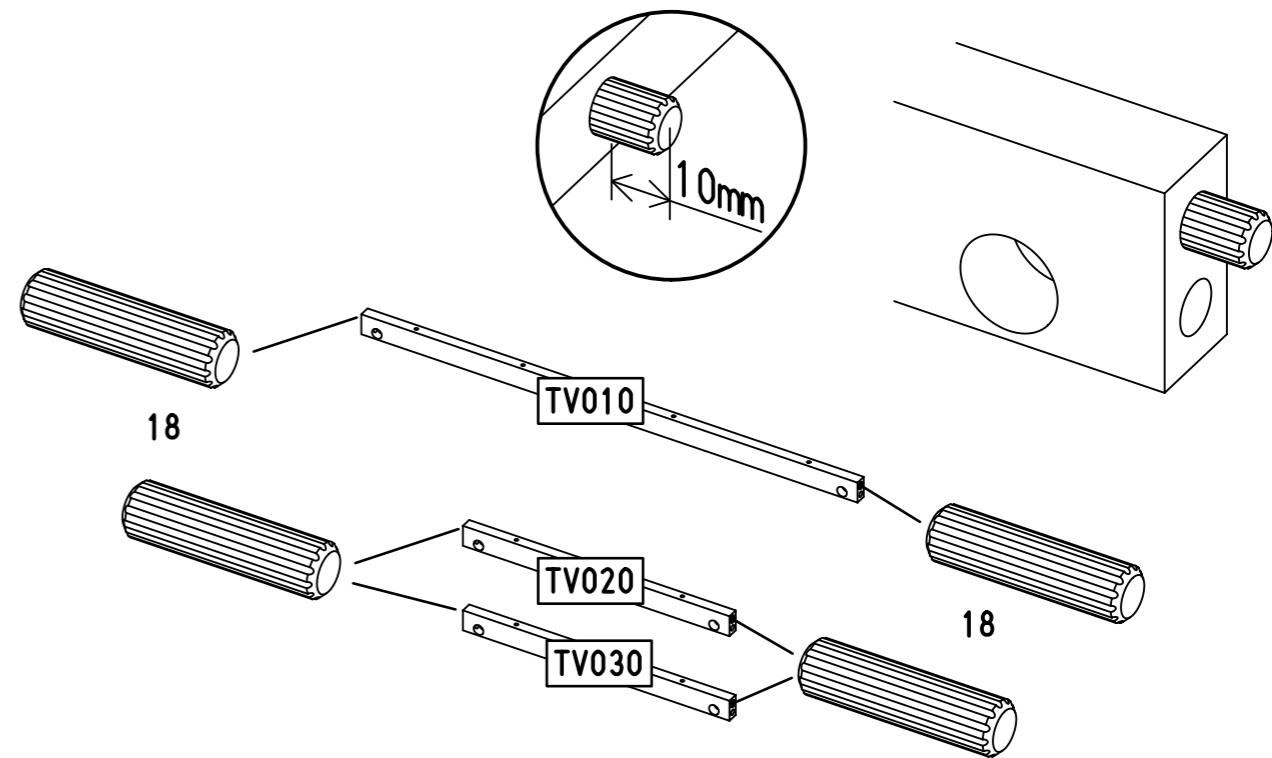
8.

3

6x 18

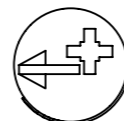
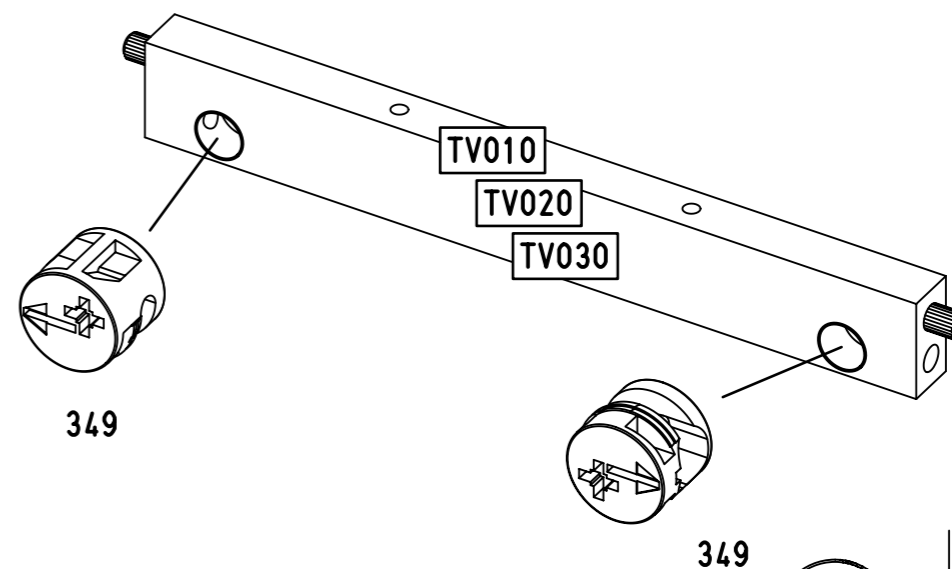
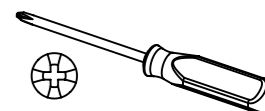
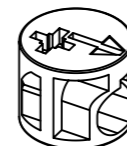


8x30



4

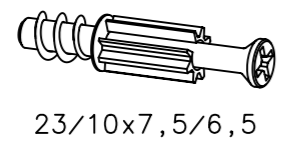
6x 349



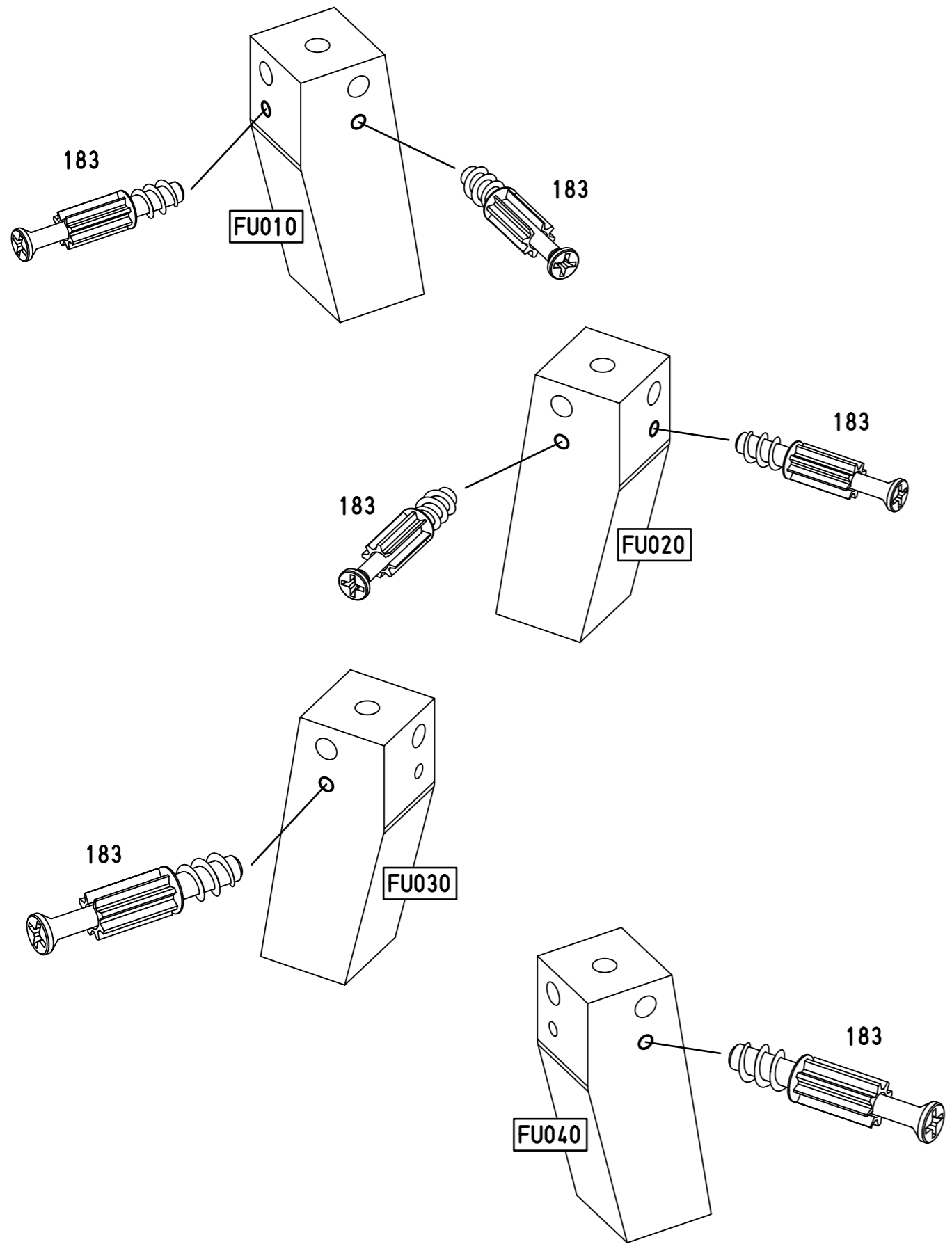
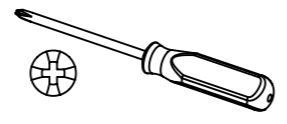
M2430

5

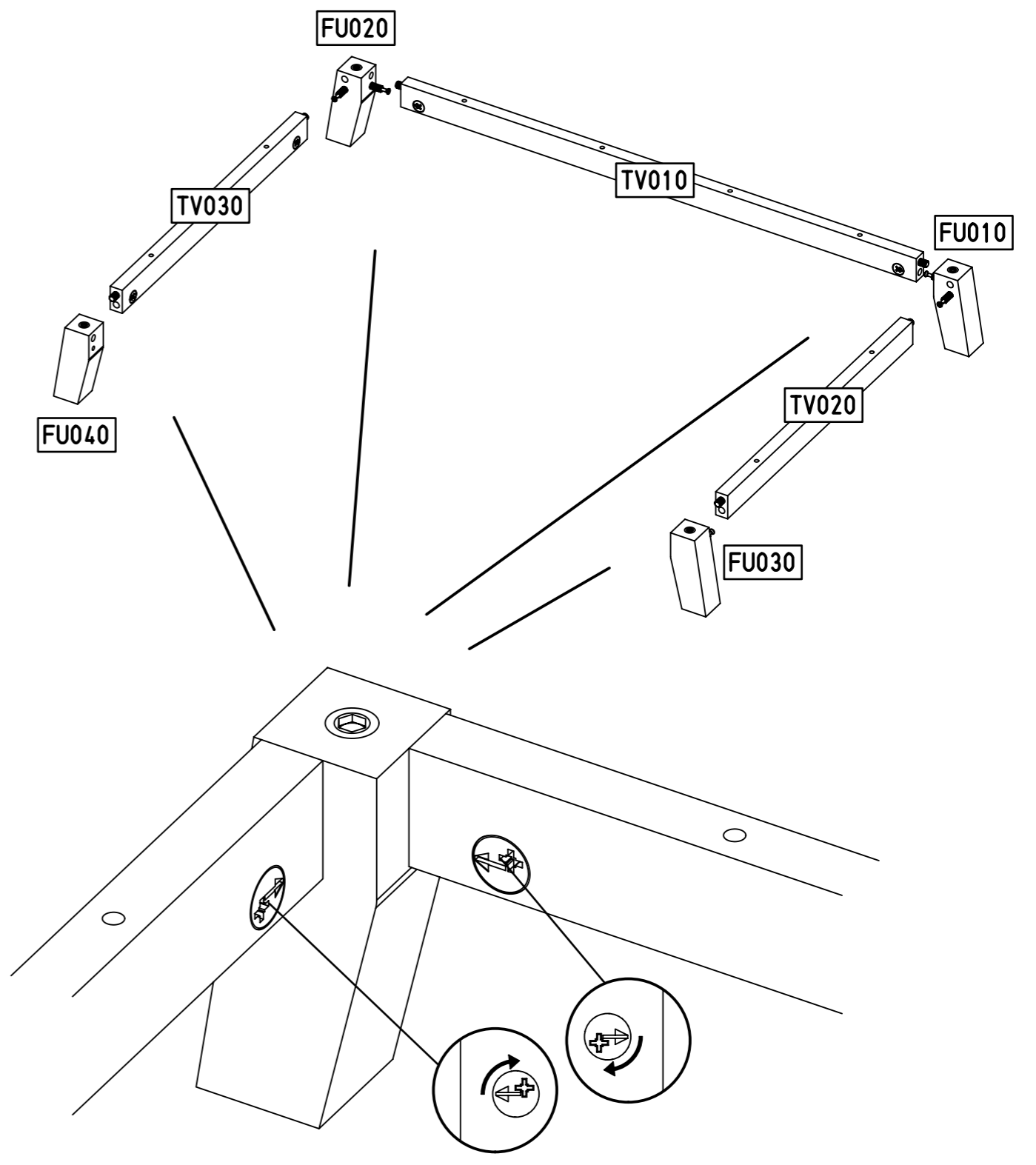
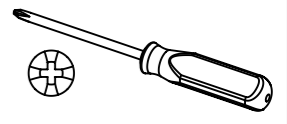
6x 183



23/10x7,5/6,5

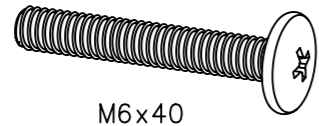


6

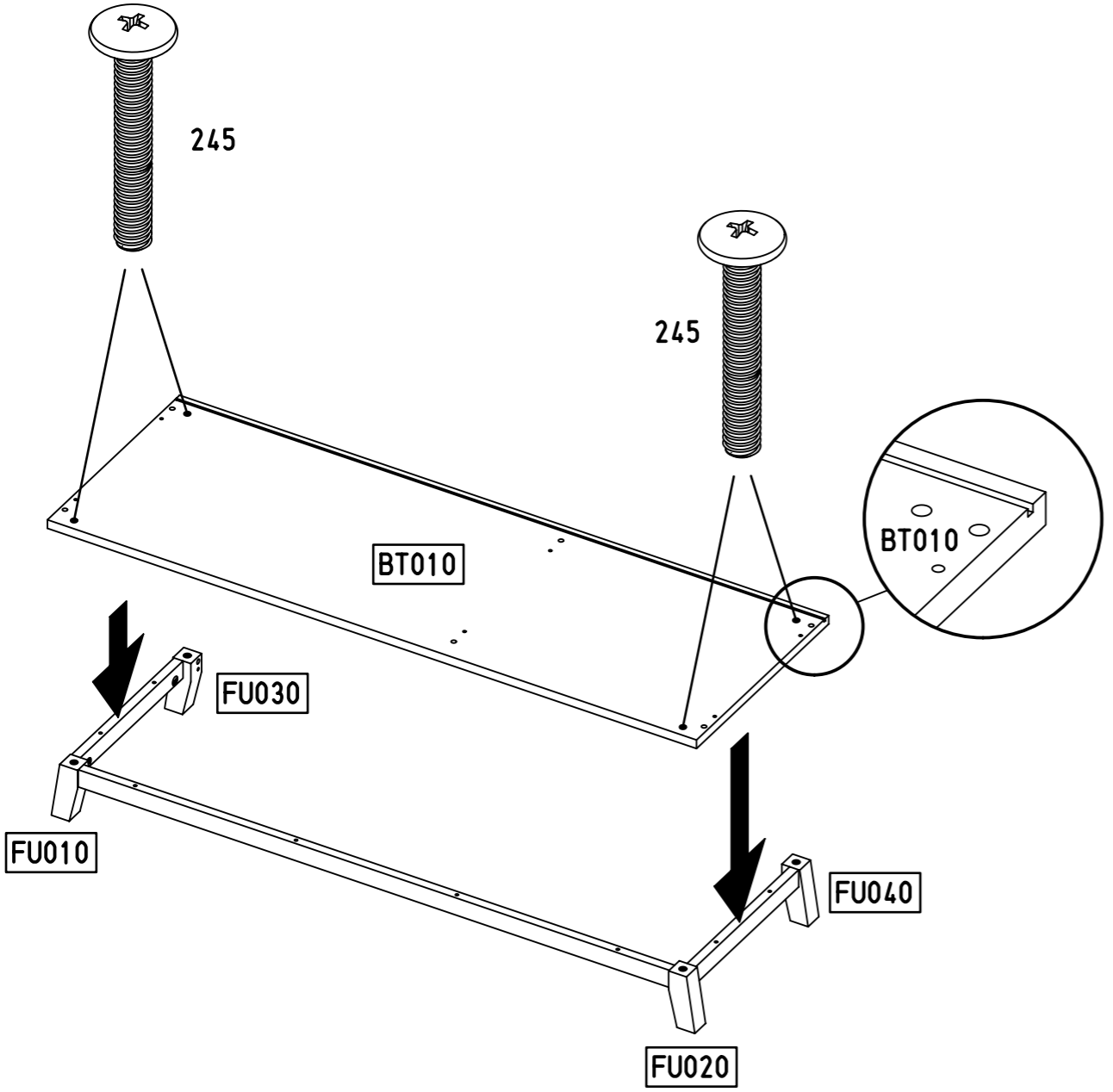
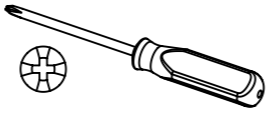


7

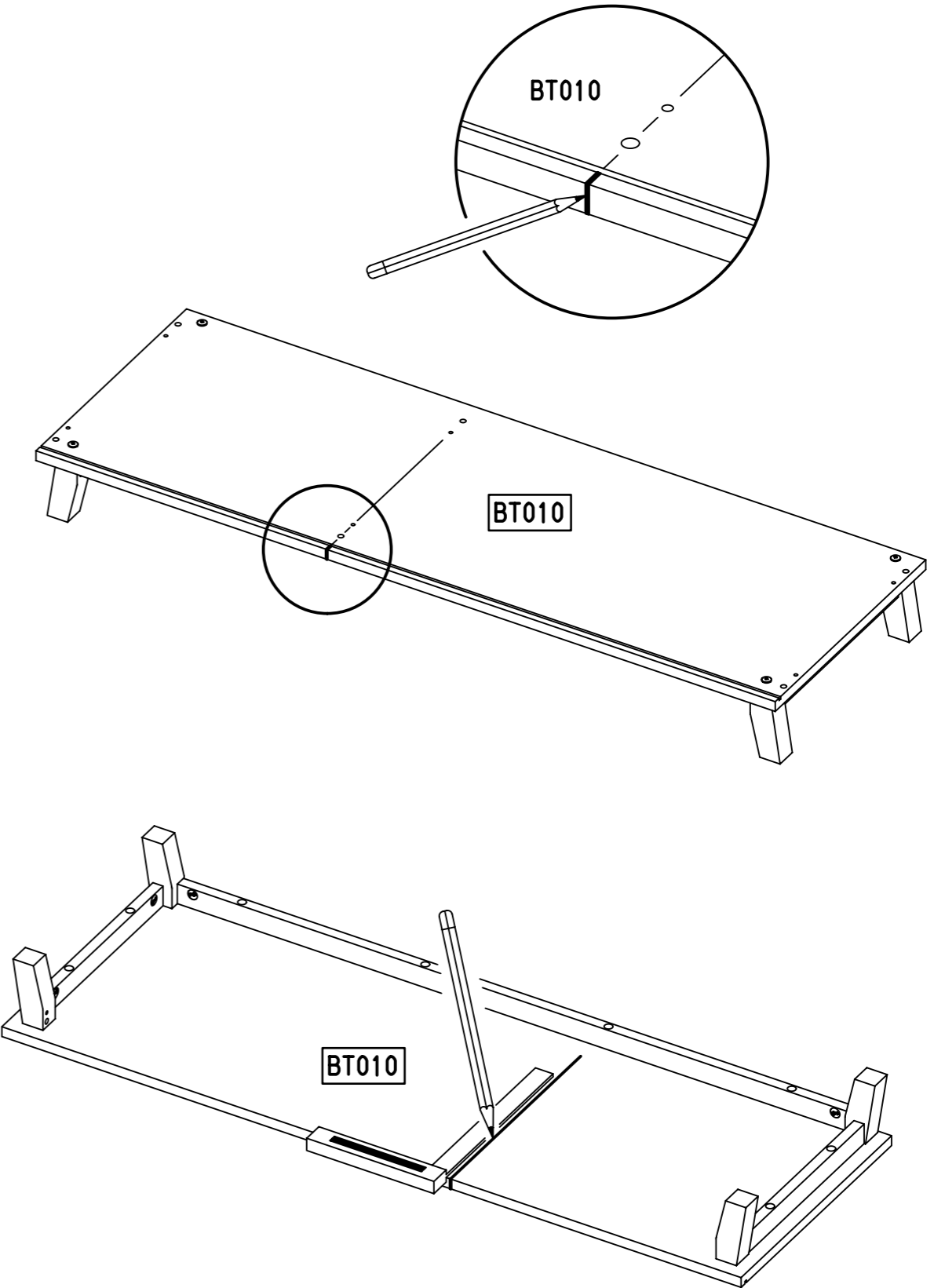
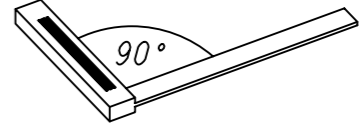
4x 245



M6x40

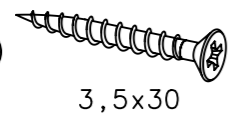


8

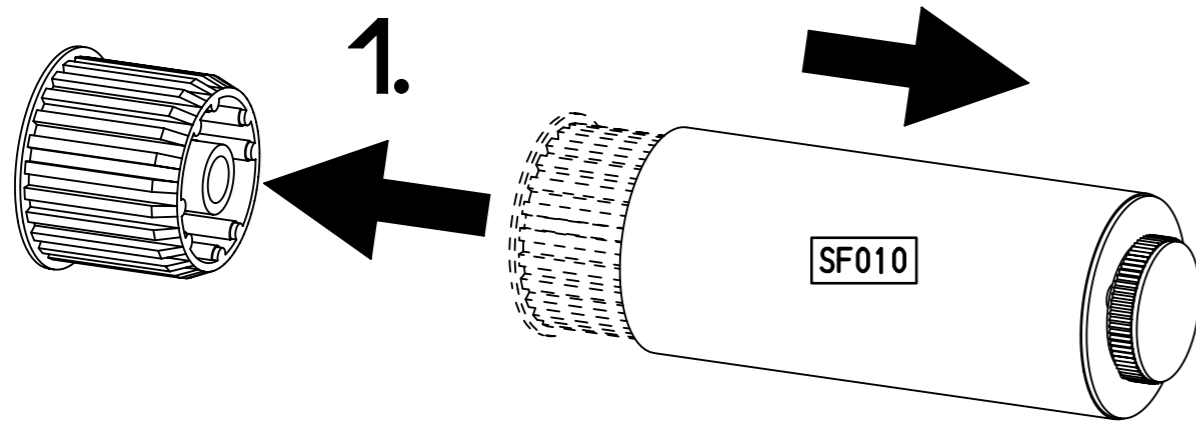
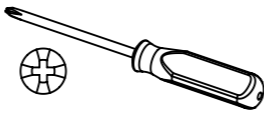


9

4x 318



3,5x30

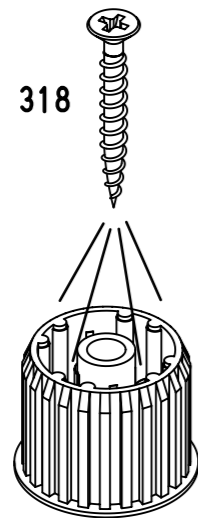


1.

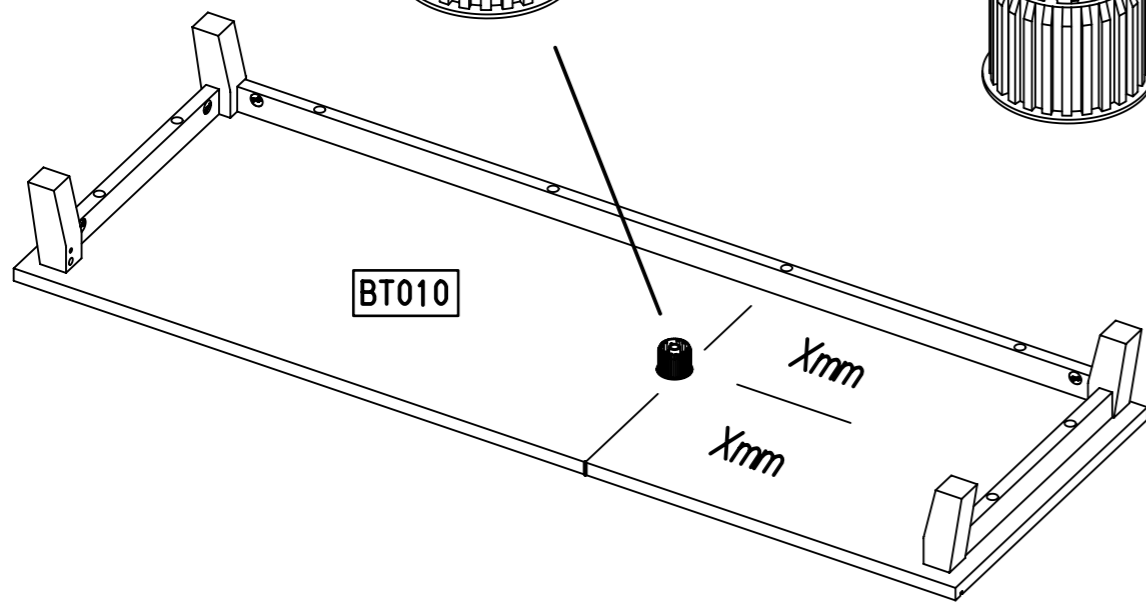
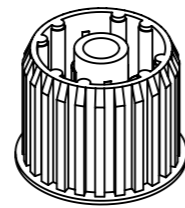
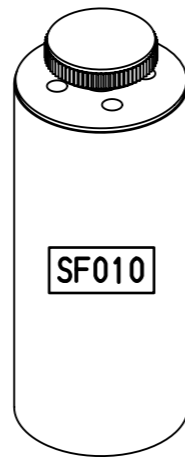
SF010

318

2.



3.



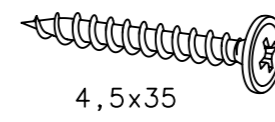
BT010

Xmm

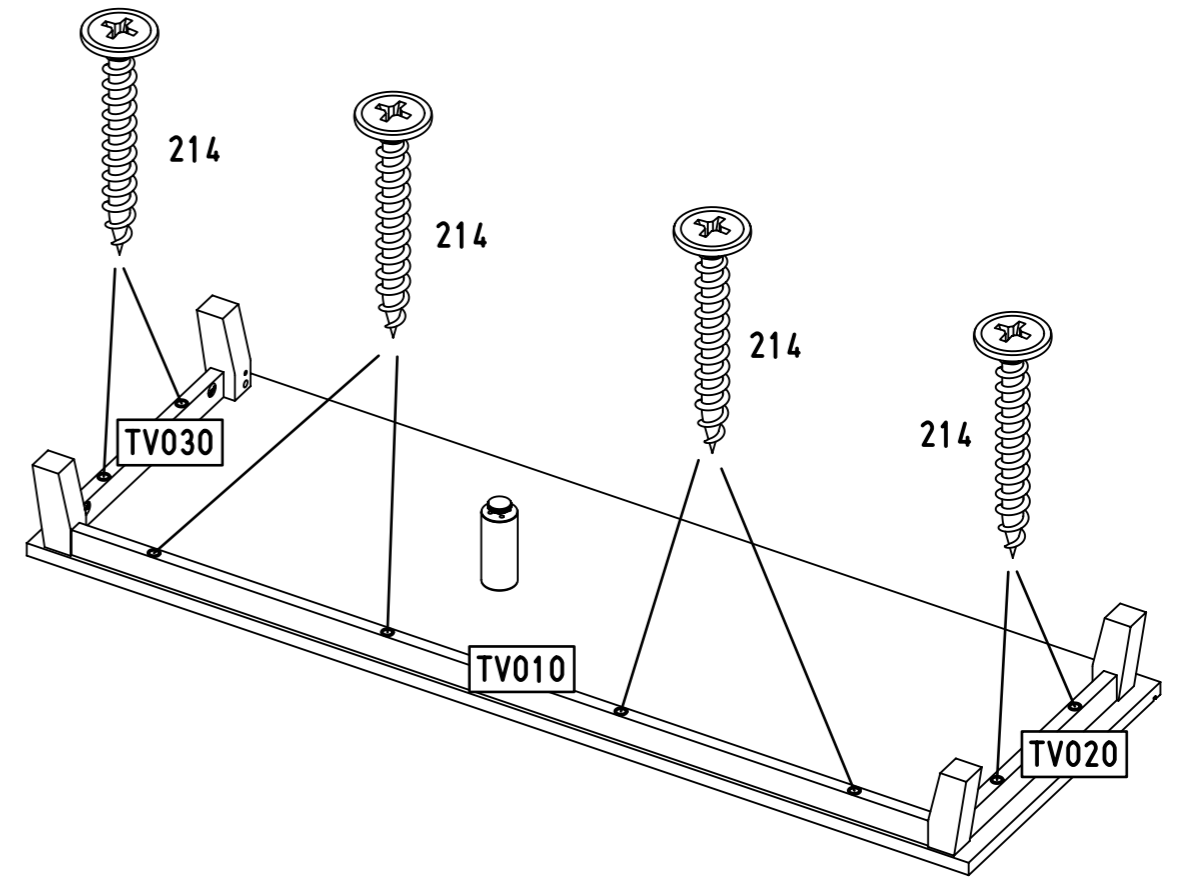
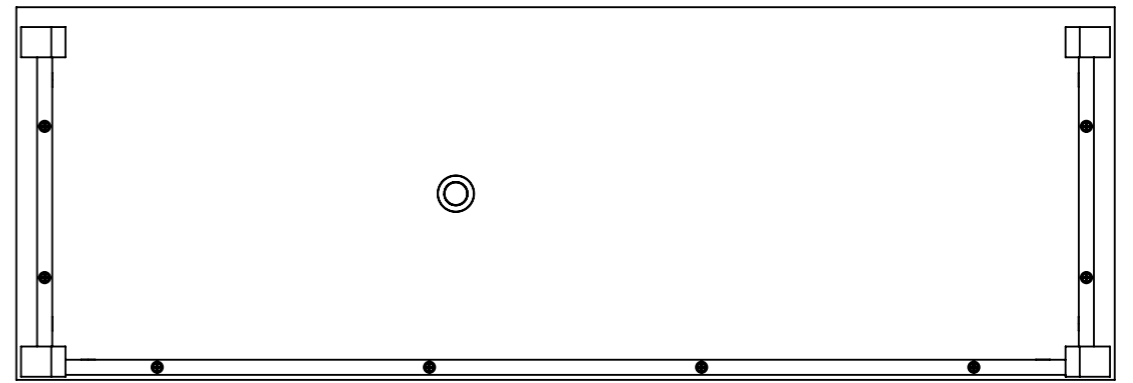
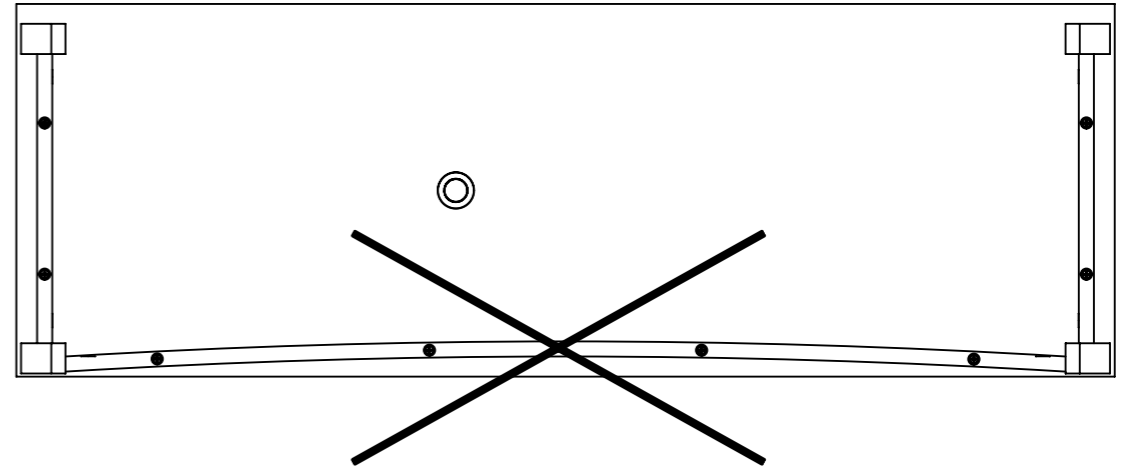
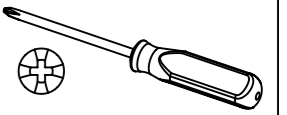
Xmm

10

8x 214



4,5x35



214

214

214

214

TV030

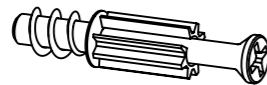
TV010

TV020

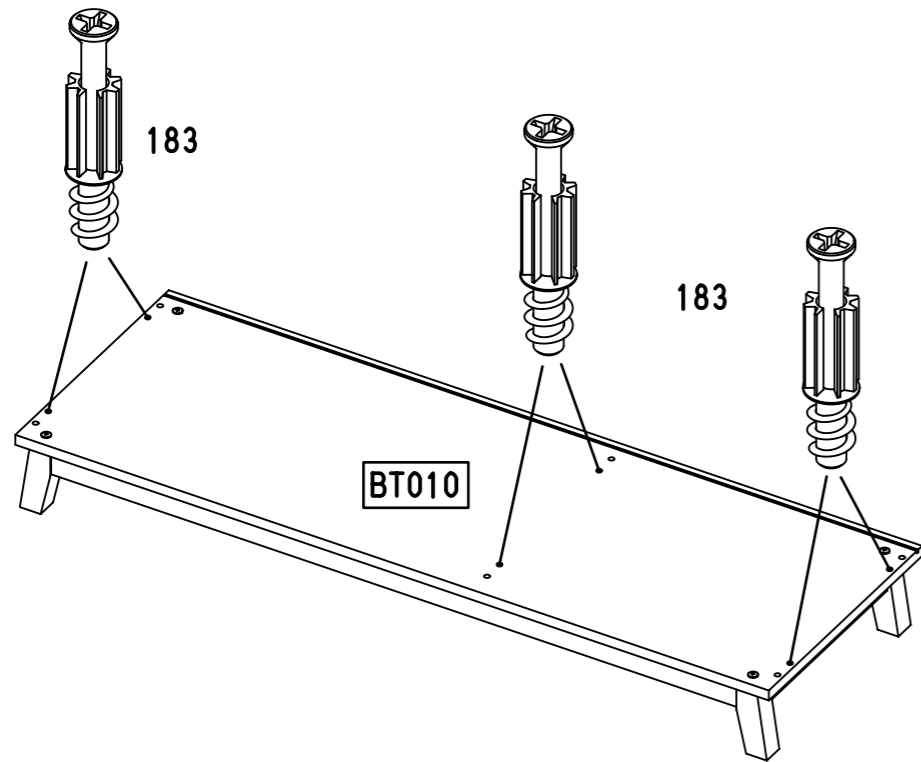
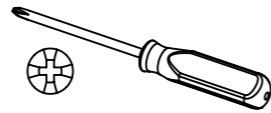
15.

11

6x 183

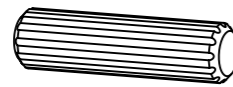


23/10x7,5/6,5

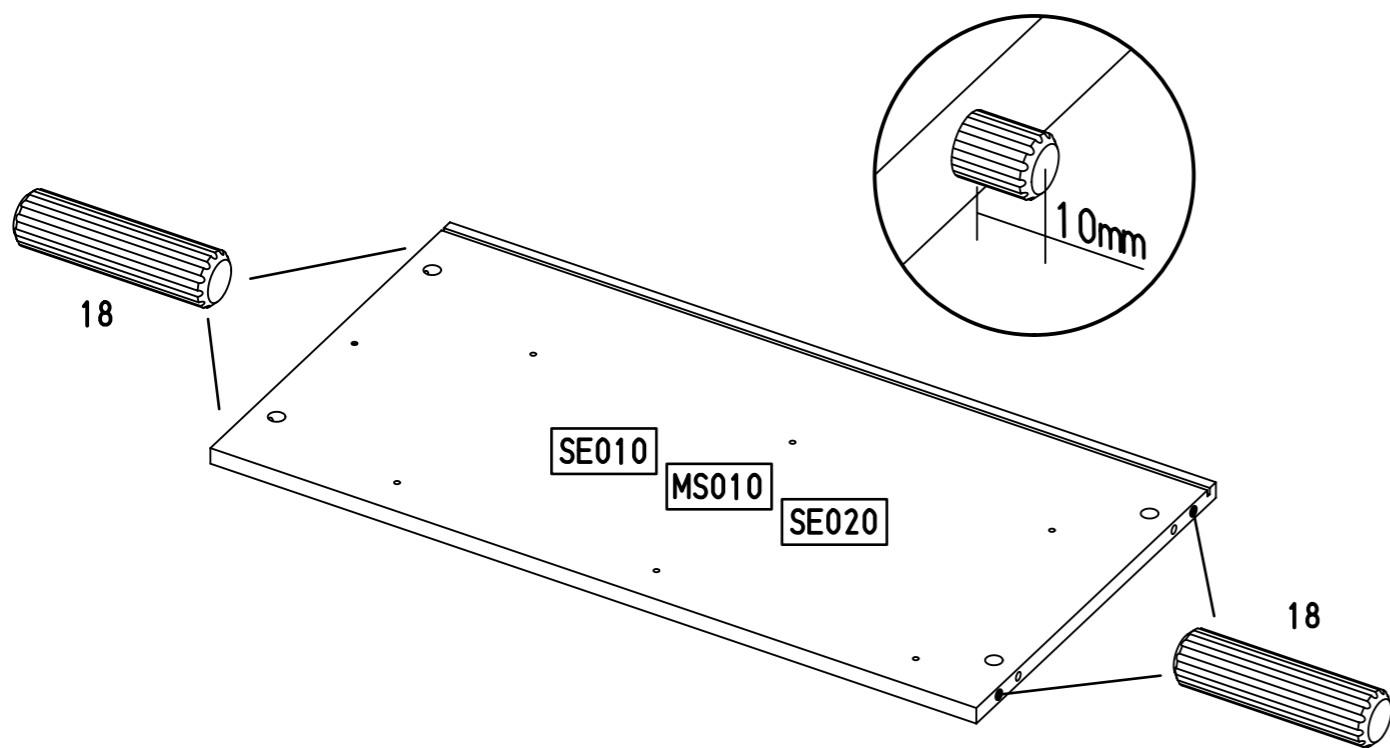


12

12x 18



8x30

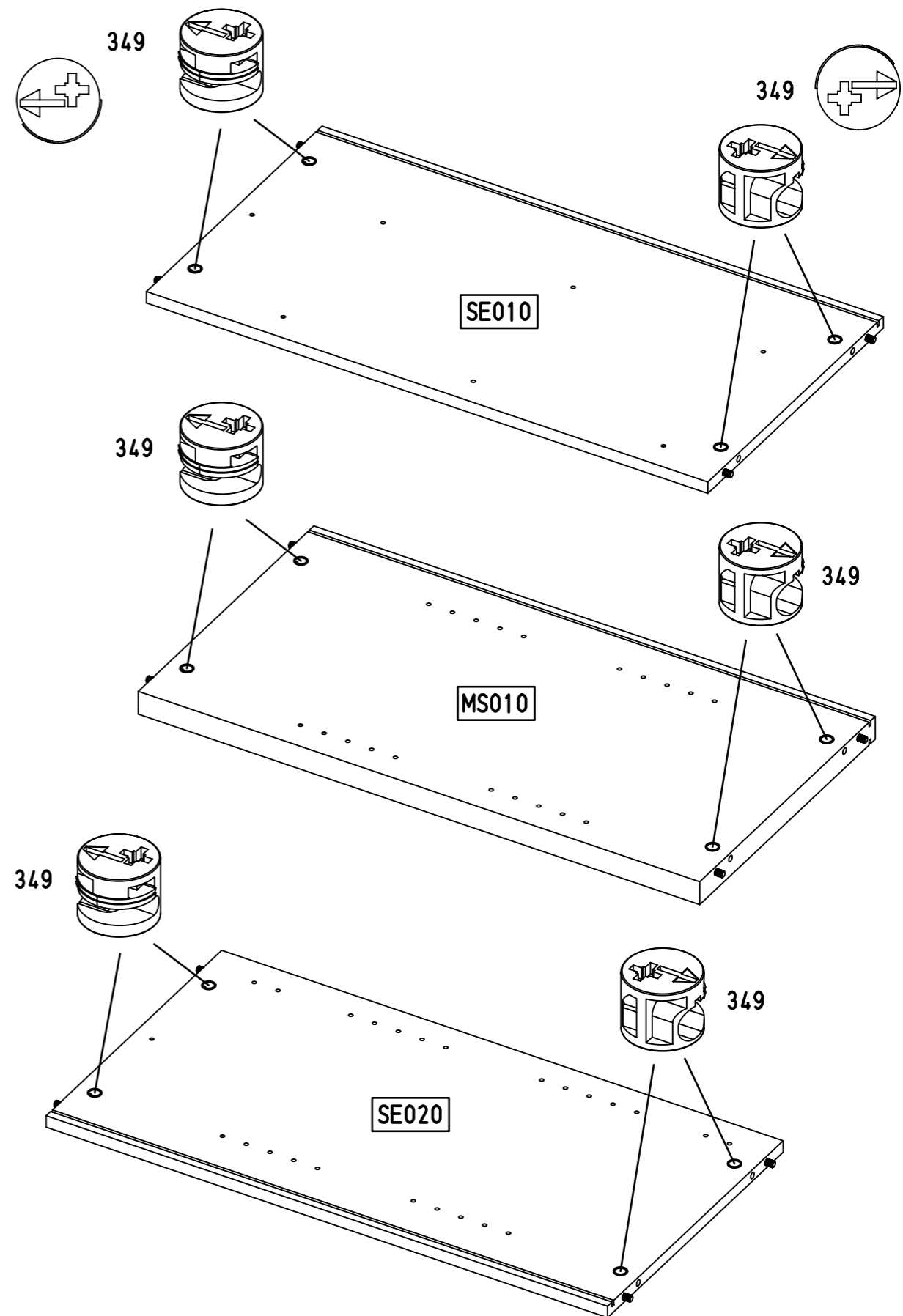
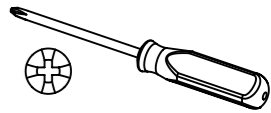


M2430

16.

13

12x 349



M2430



17.

14

3x 259

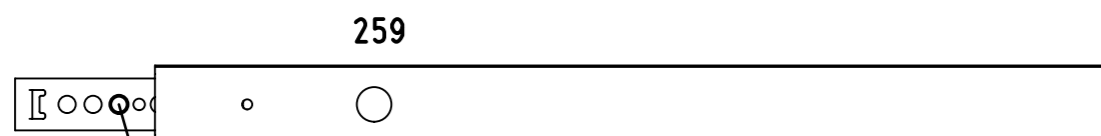
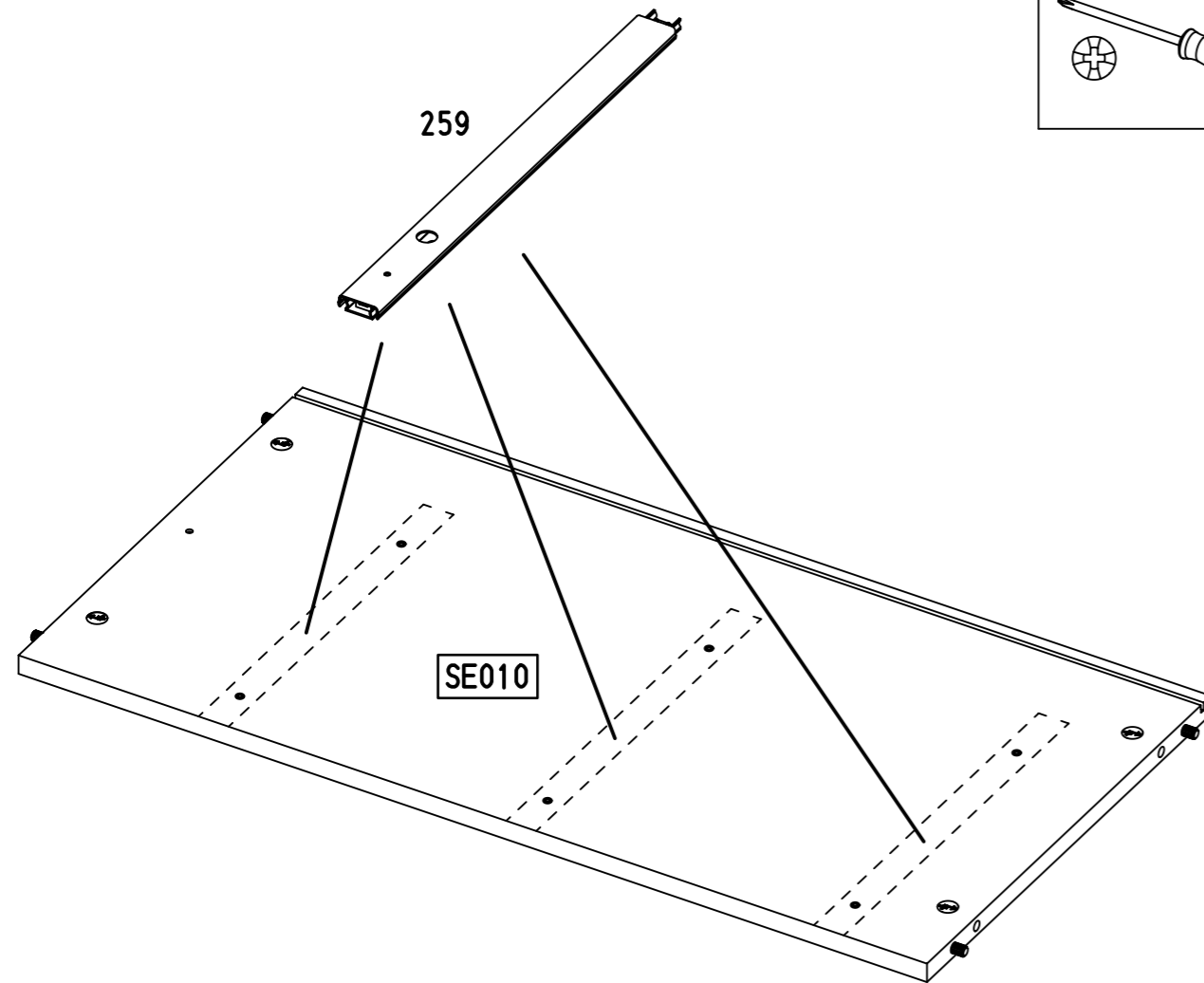
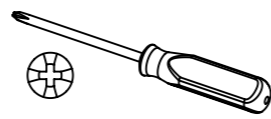


342x27x9,5

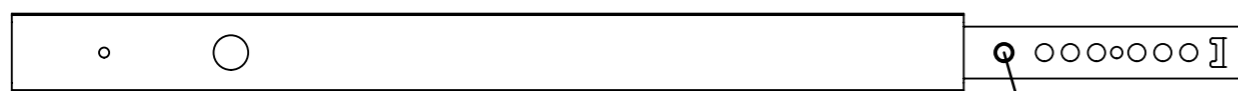
6x 227



6x10,5



1. 227



2. 227

18.

15

3x 259

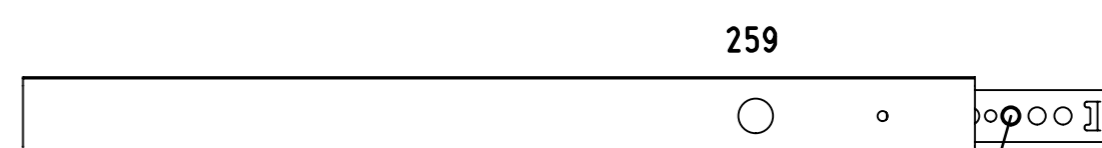
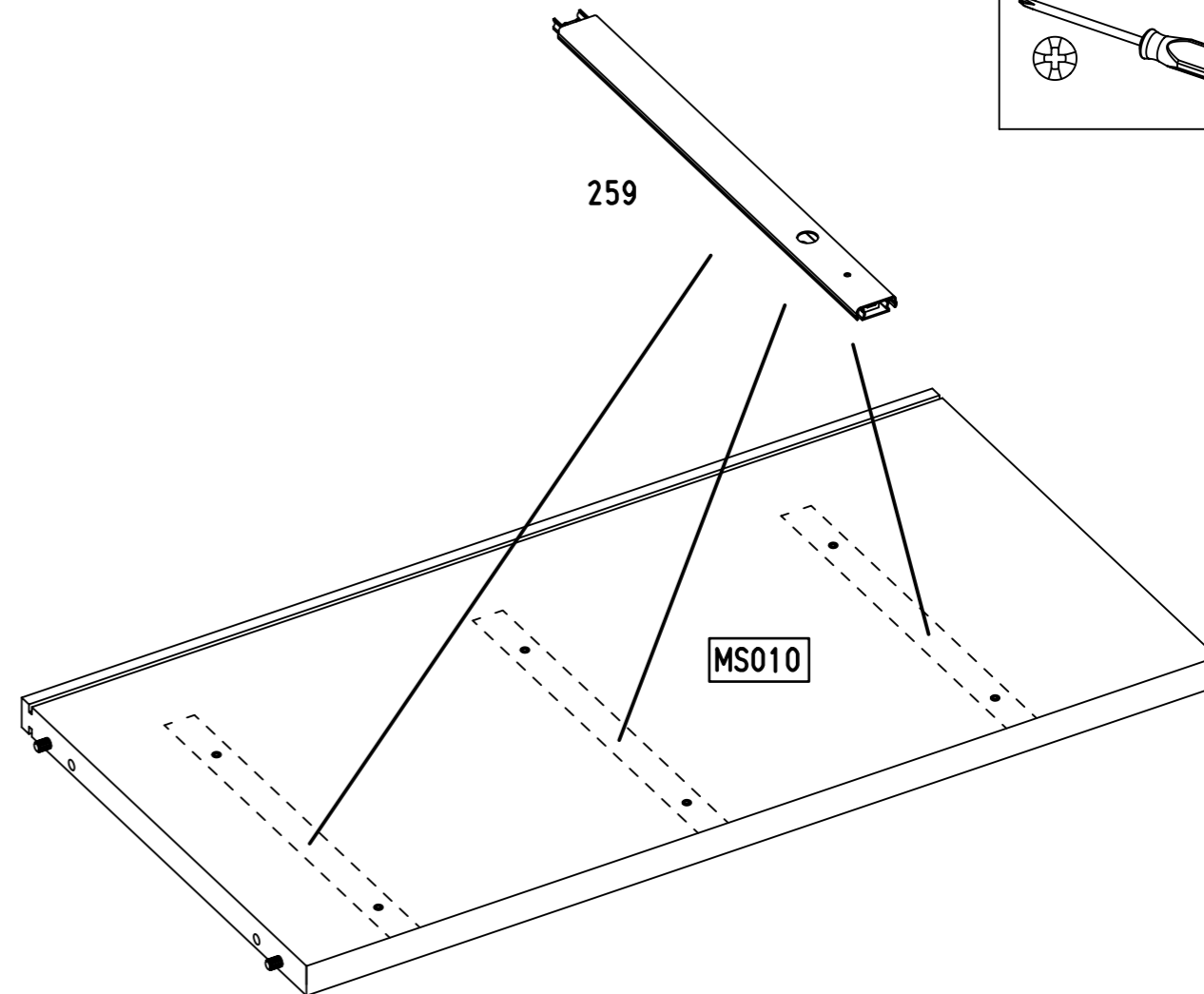
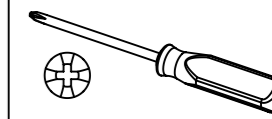


342x27x9,5

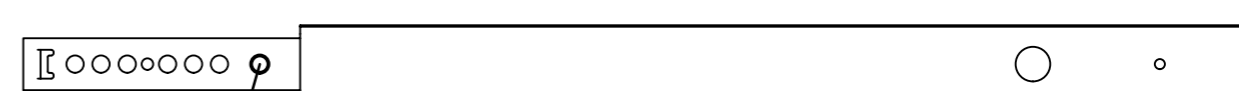
6x 227



6x10,5

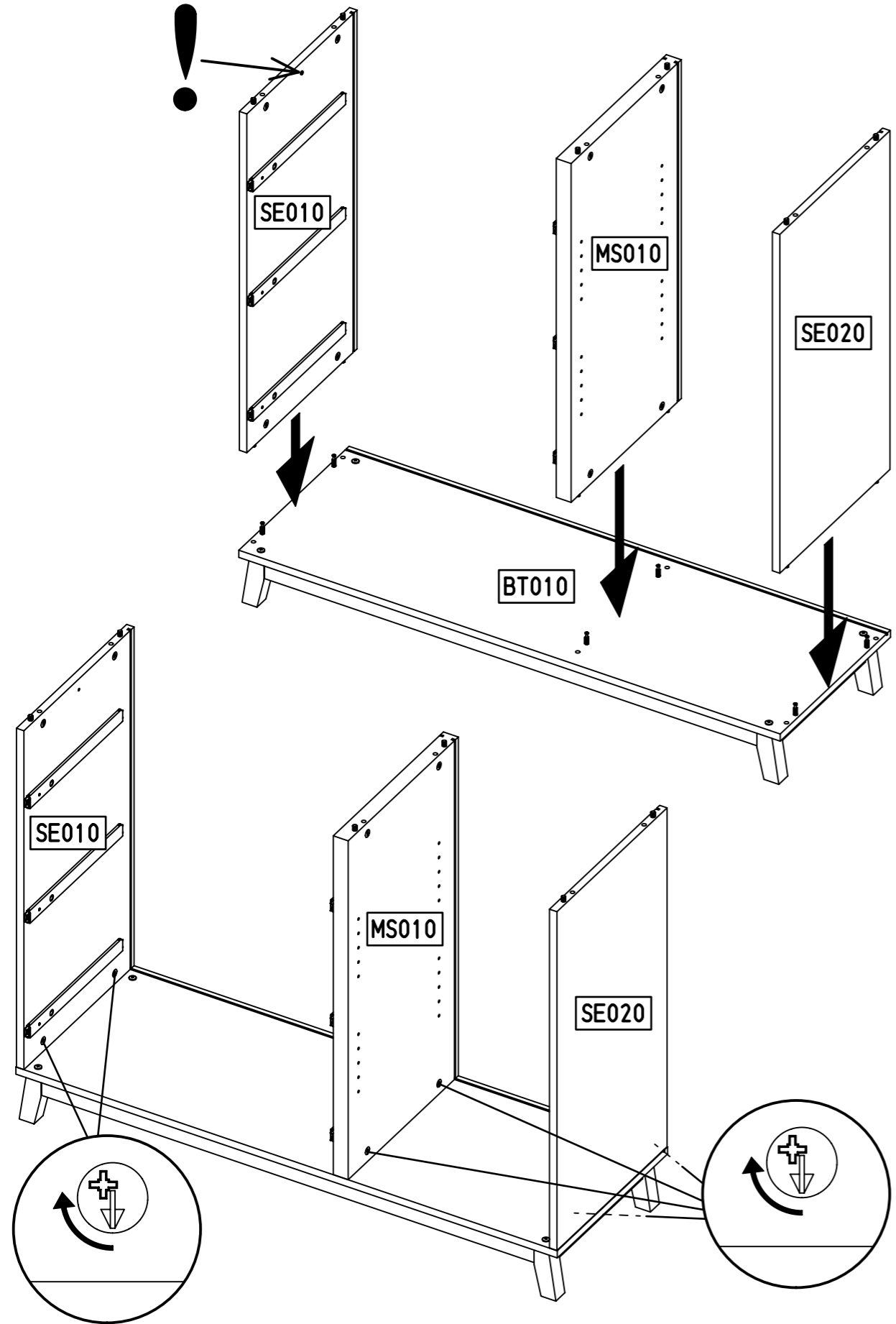
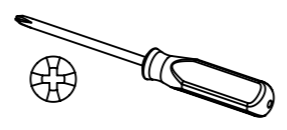


1. 227

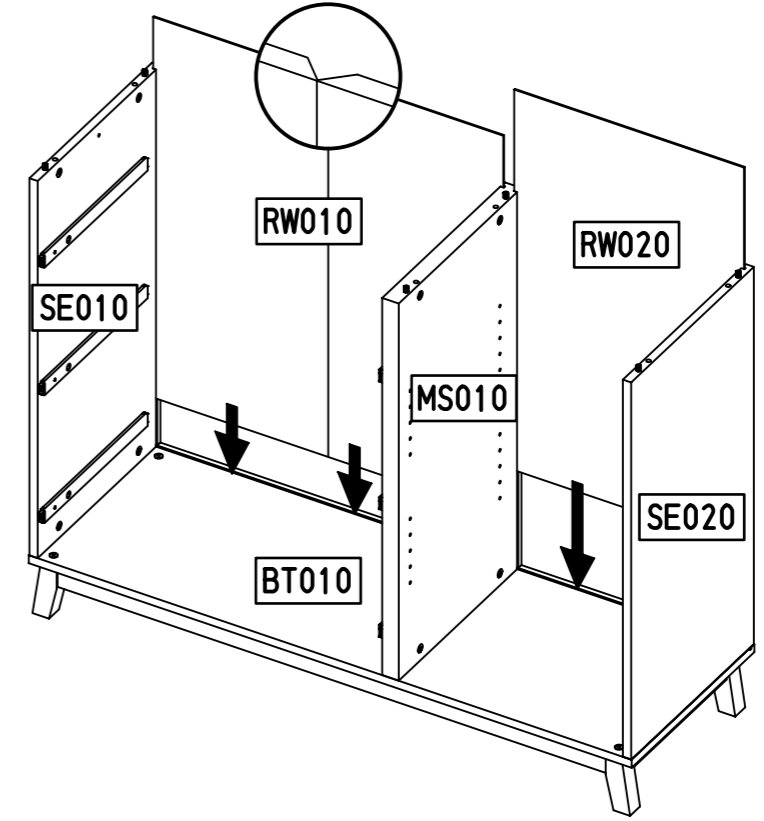


2. 227

16

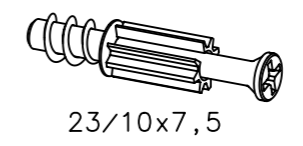


17

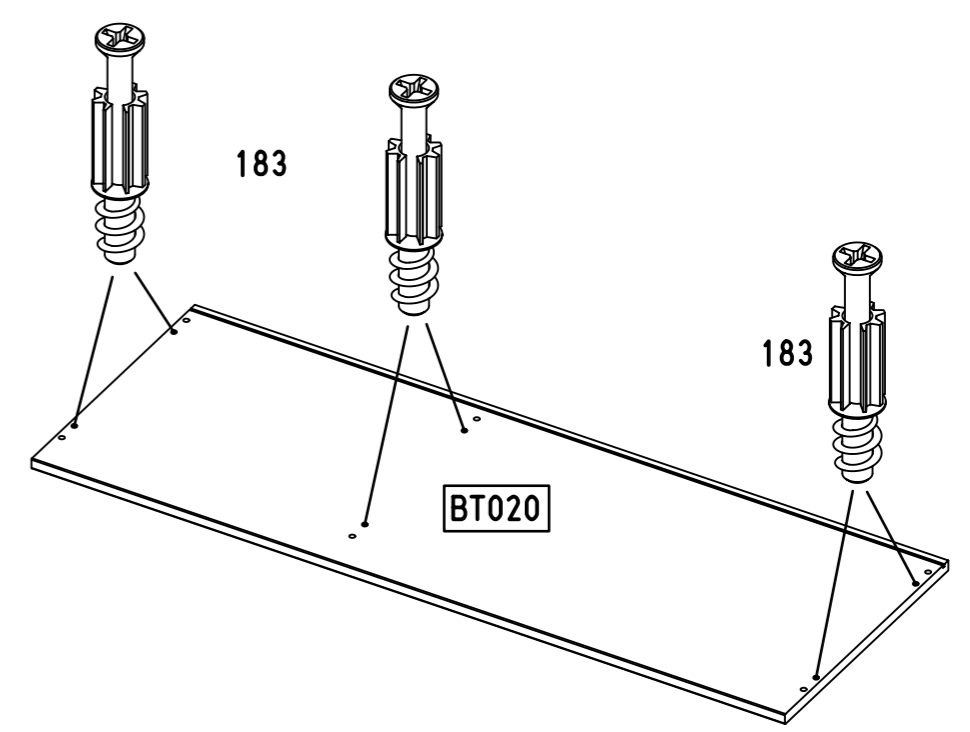
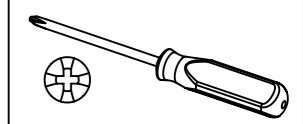


18

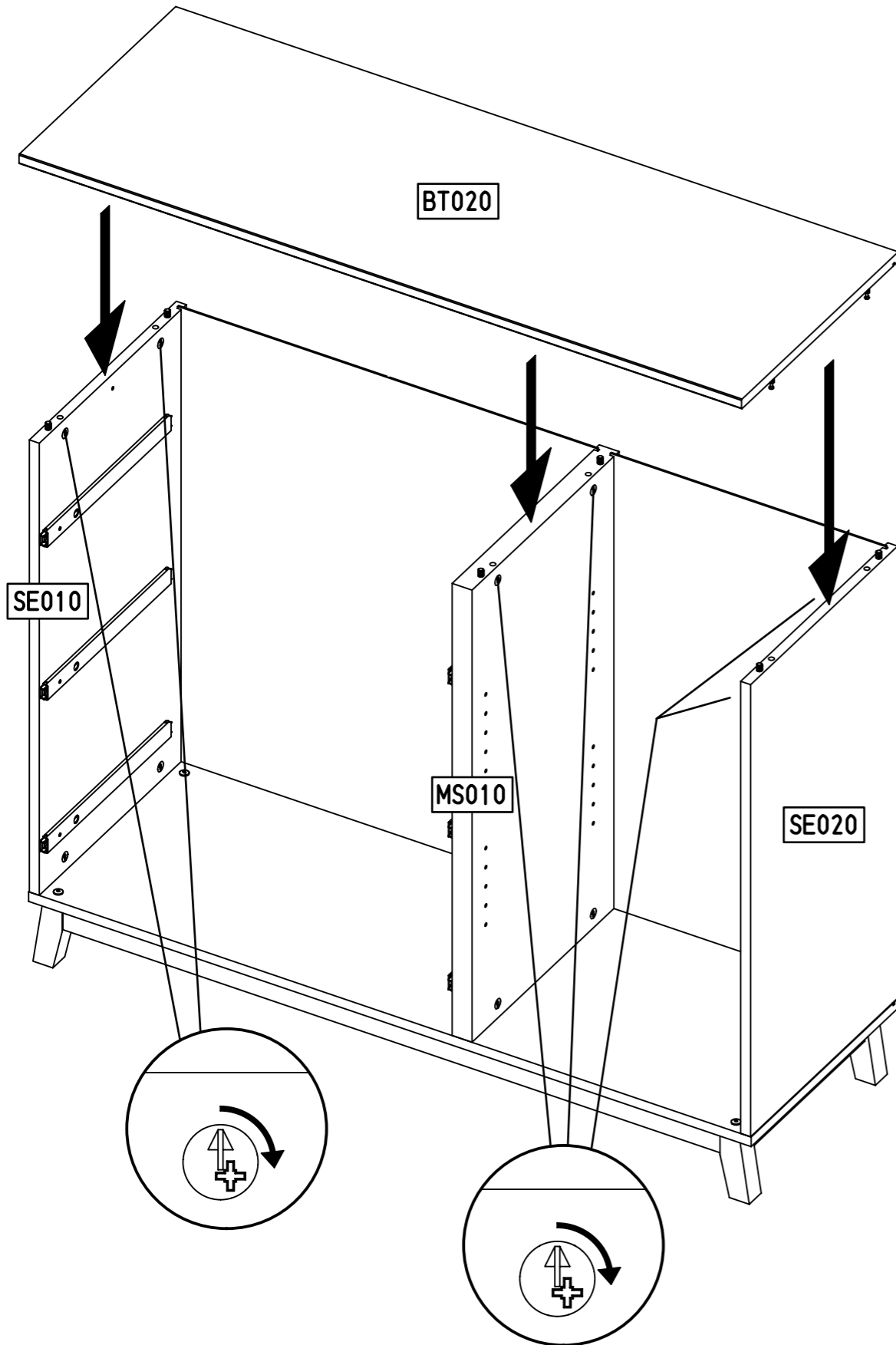
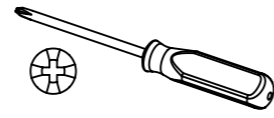
6x 183



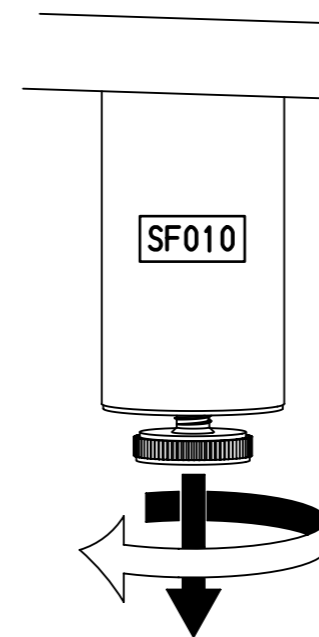
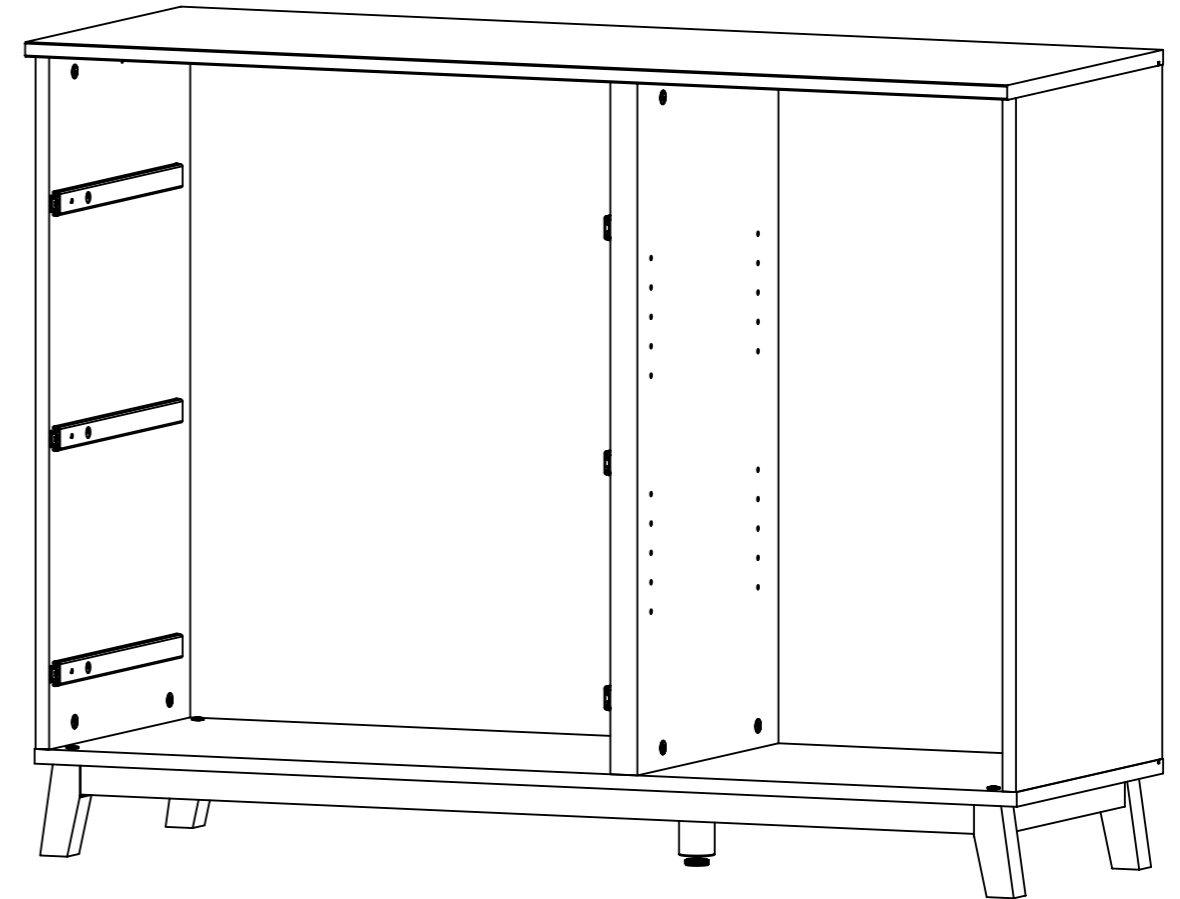
23/10x7,5



19

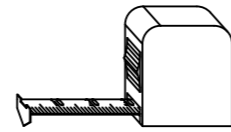
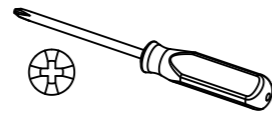
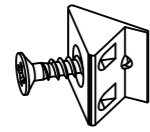


20

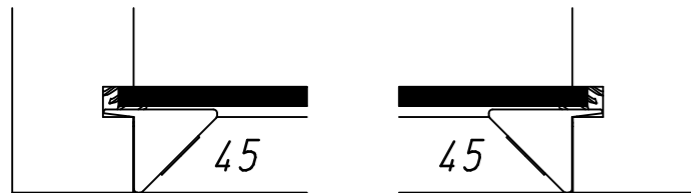
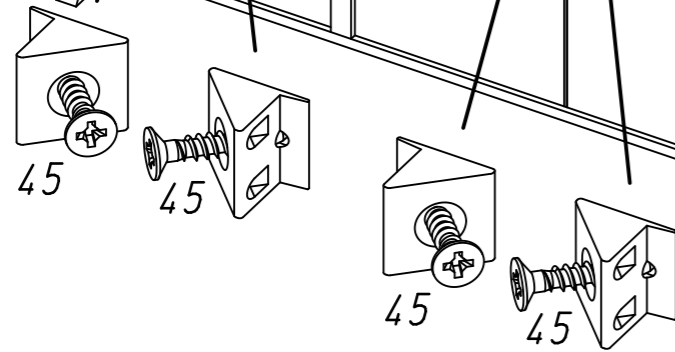
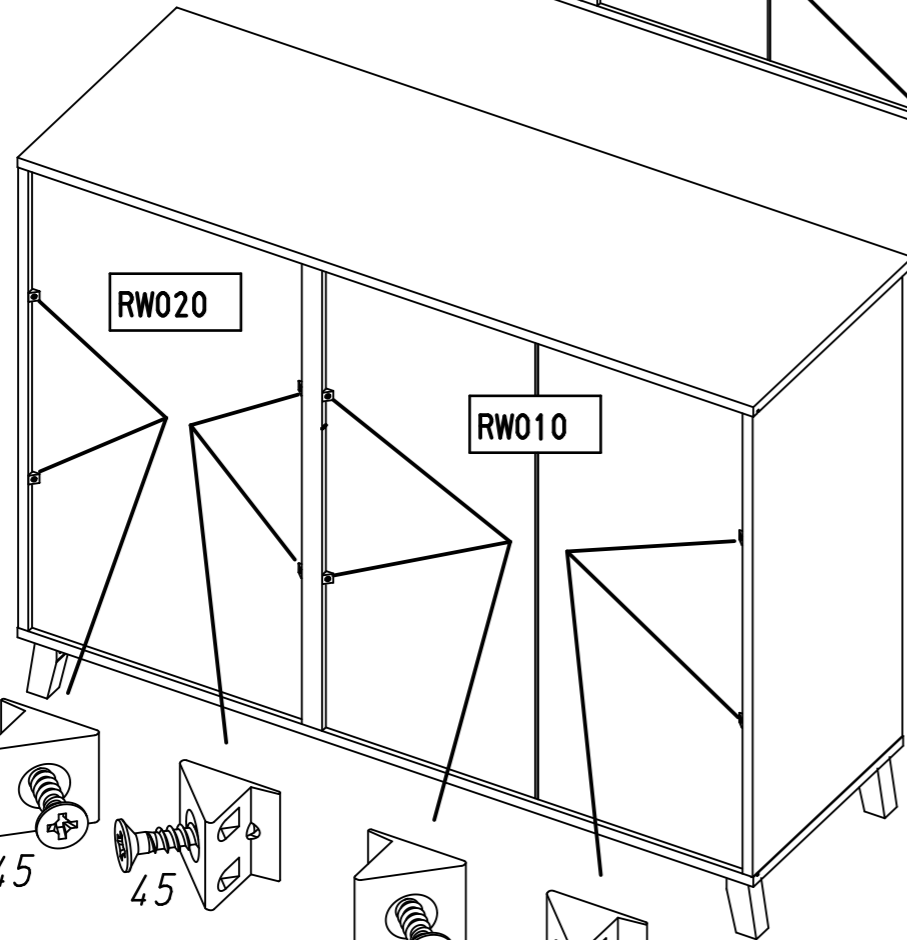
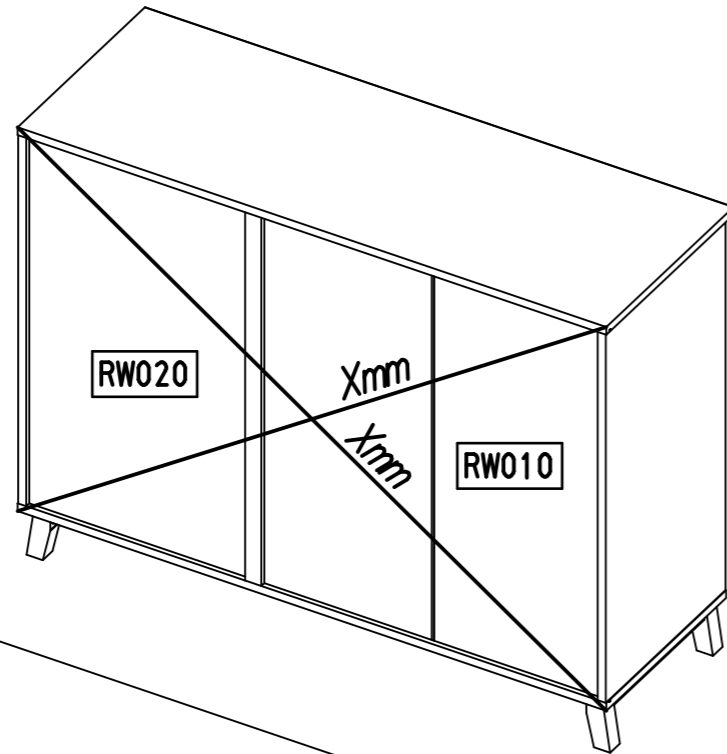
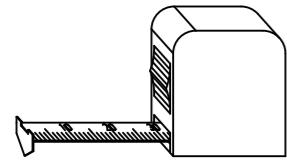


21

8x 45

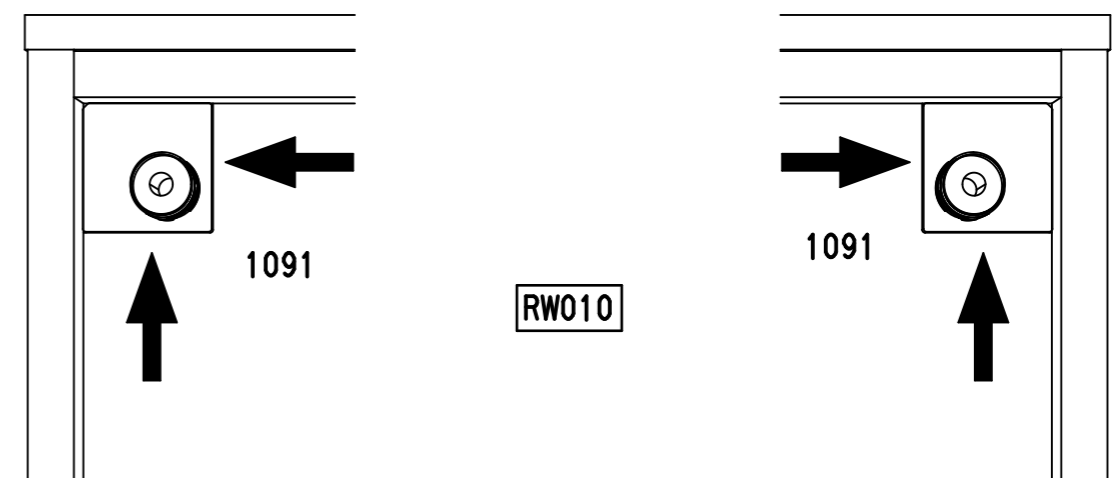
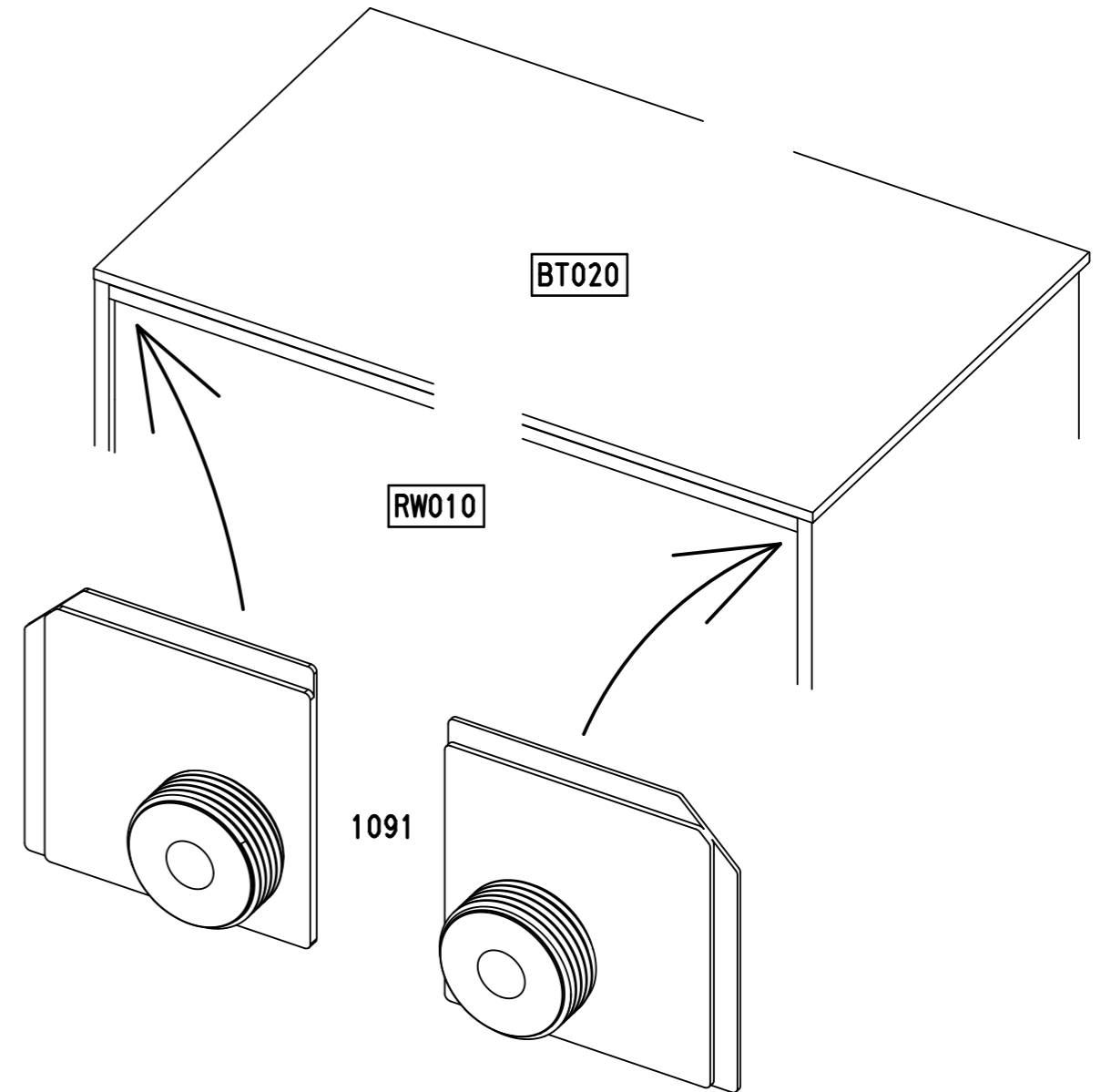
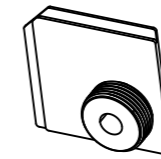


Xmm = Xmm

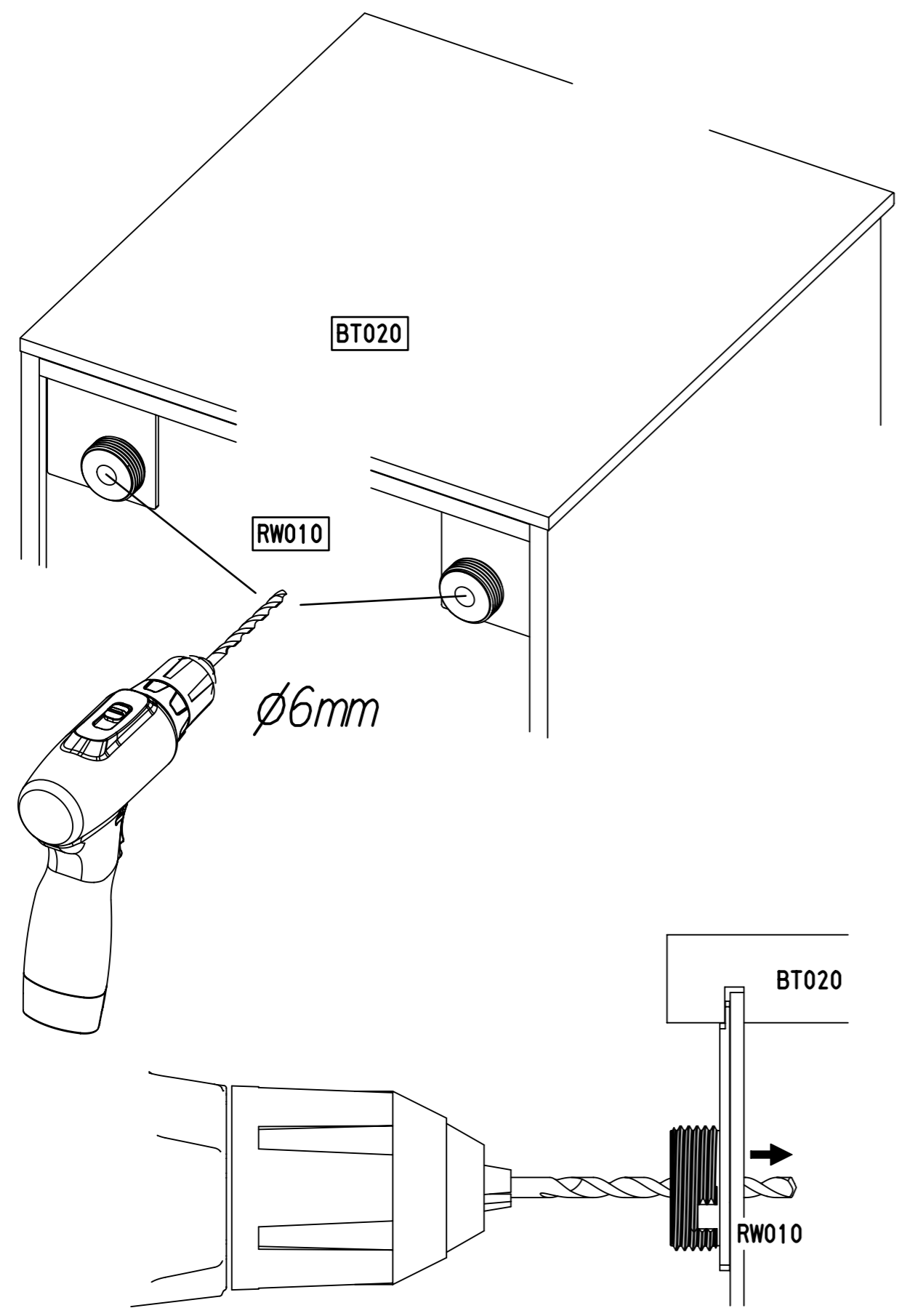
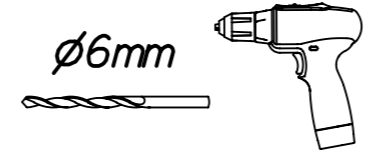


22

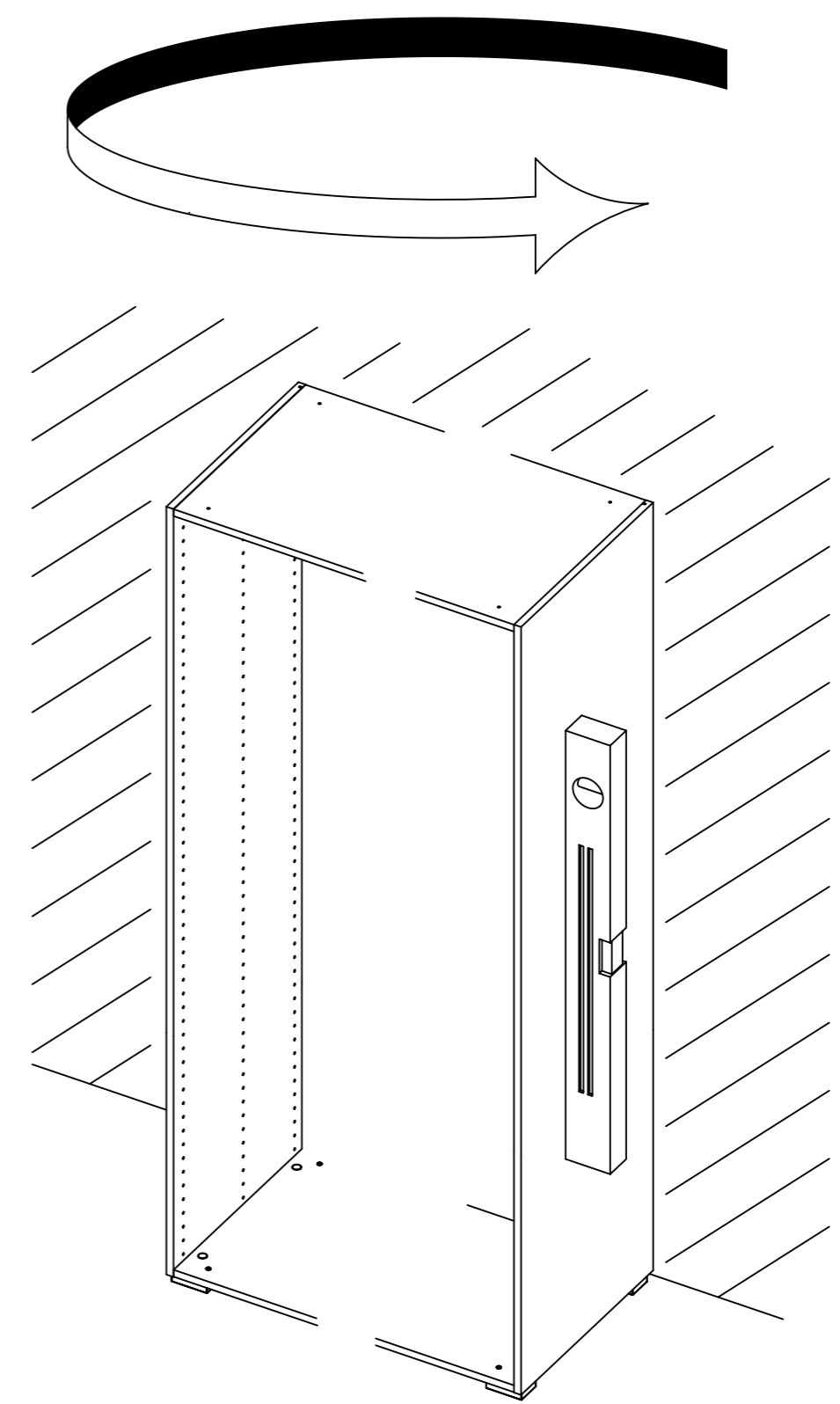
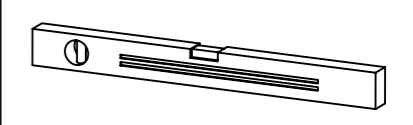
2x 1091



23

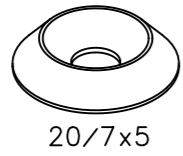


24



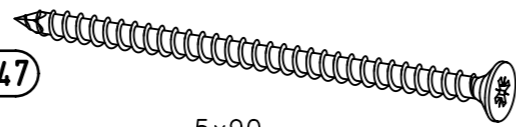
25

2x 1093

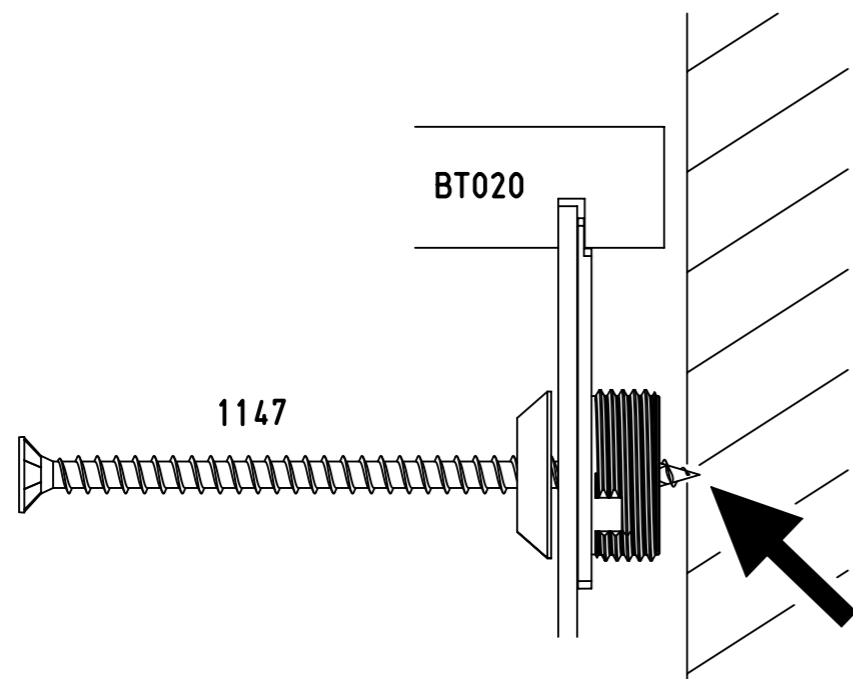
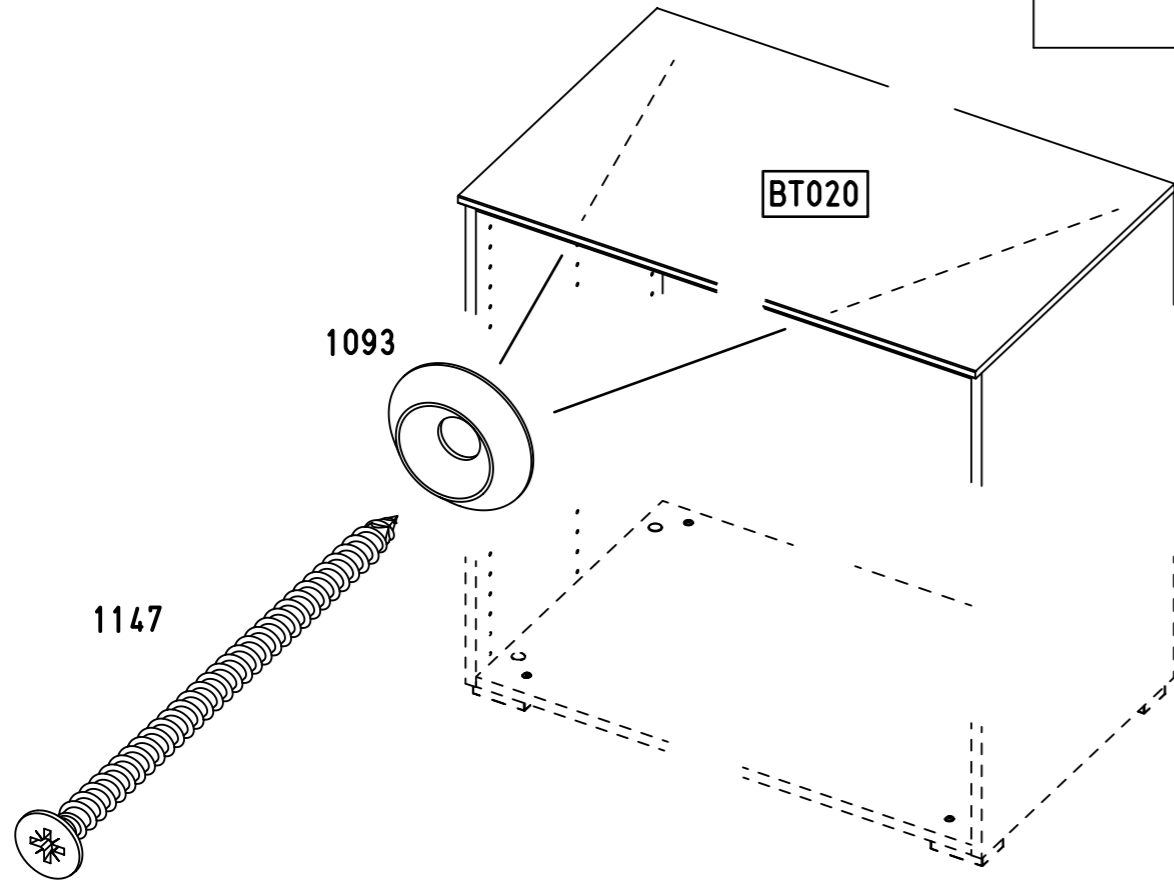
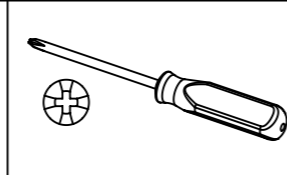


20/7x5

2x 1147



5x90

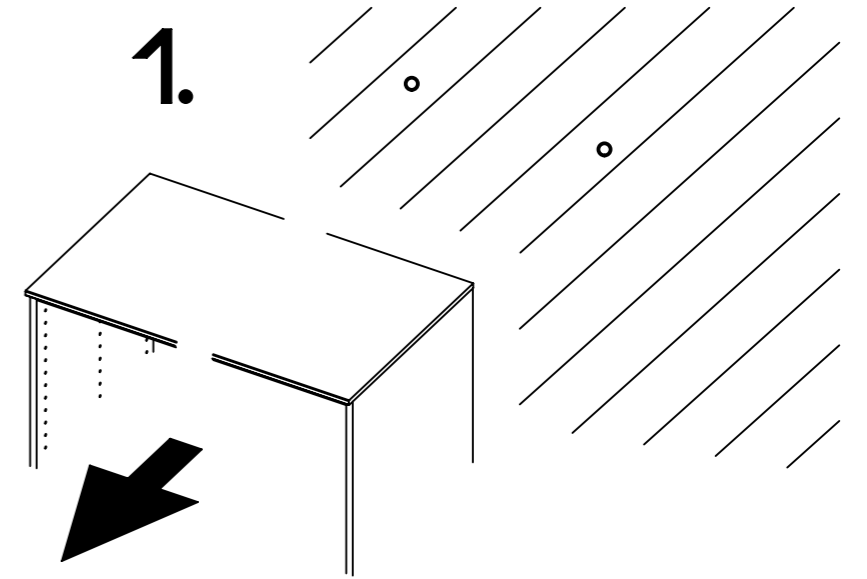


26

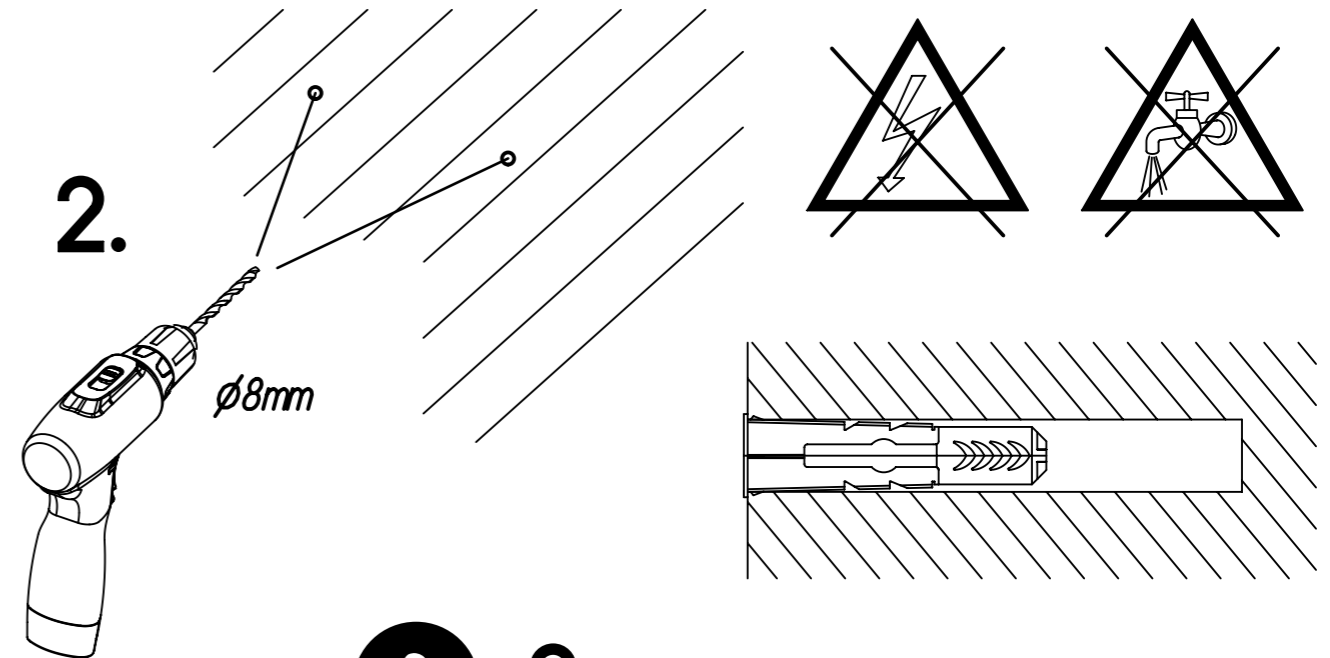
ø8mm



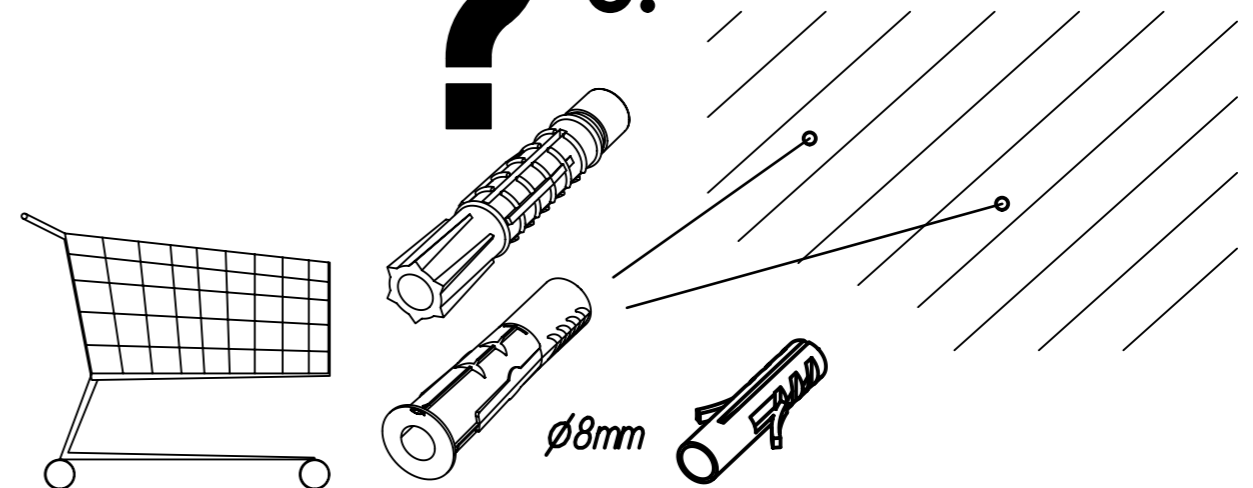
1.



2.

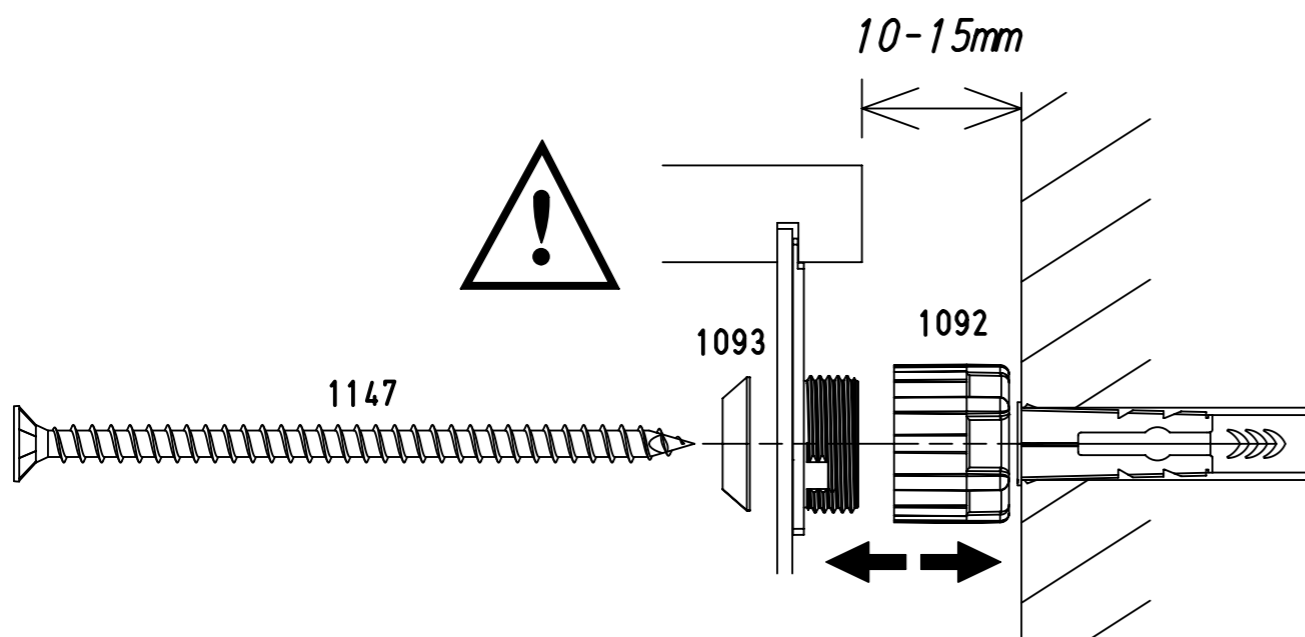
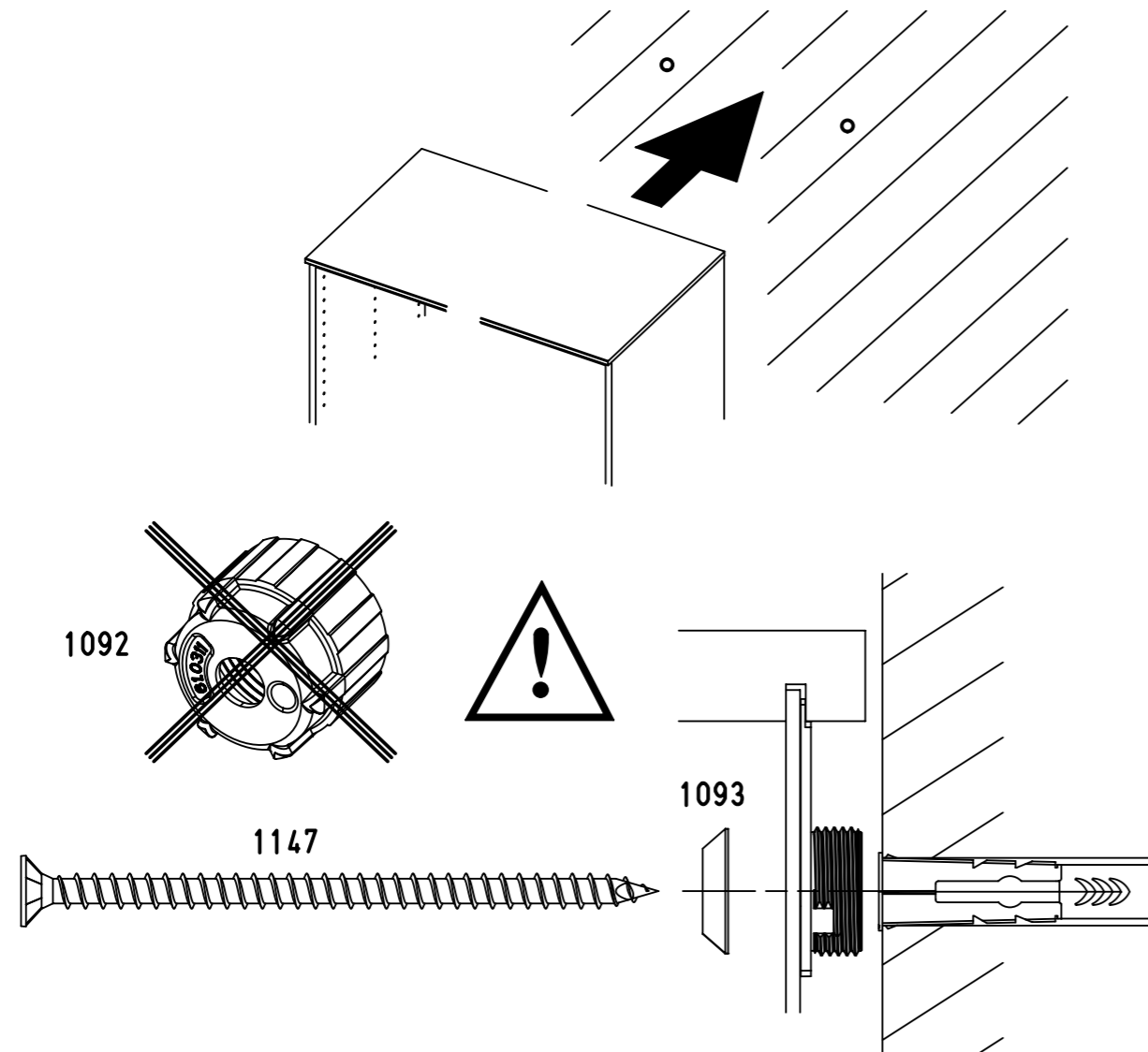
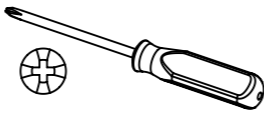
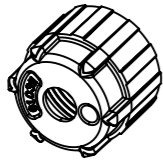


? 3.



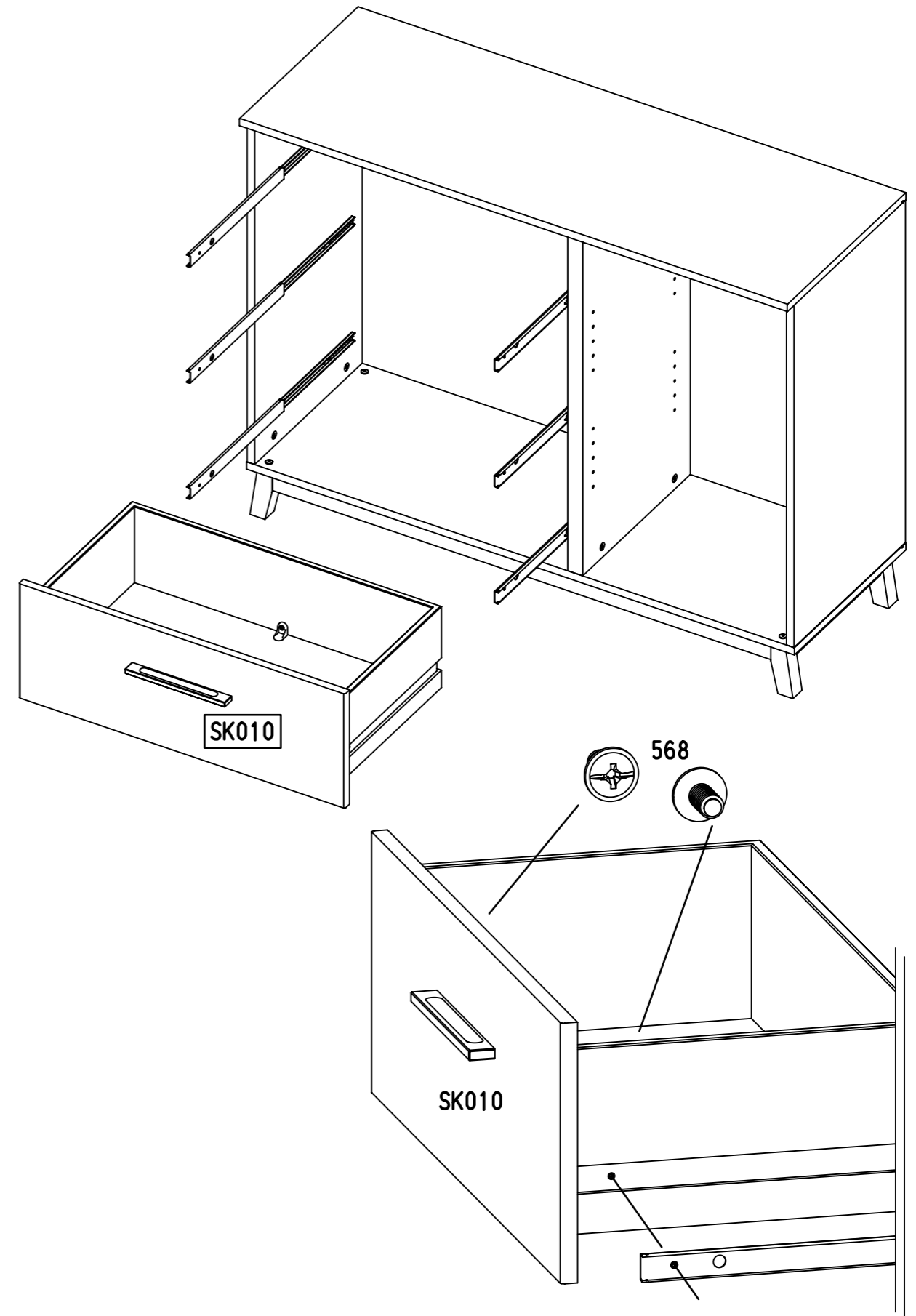
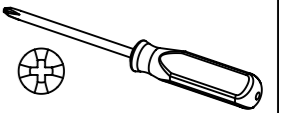
27

2x 1092



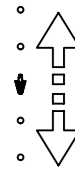
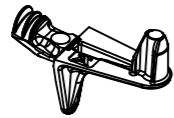
28

6x 568

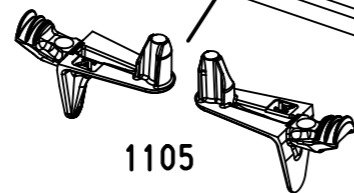
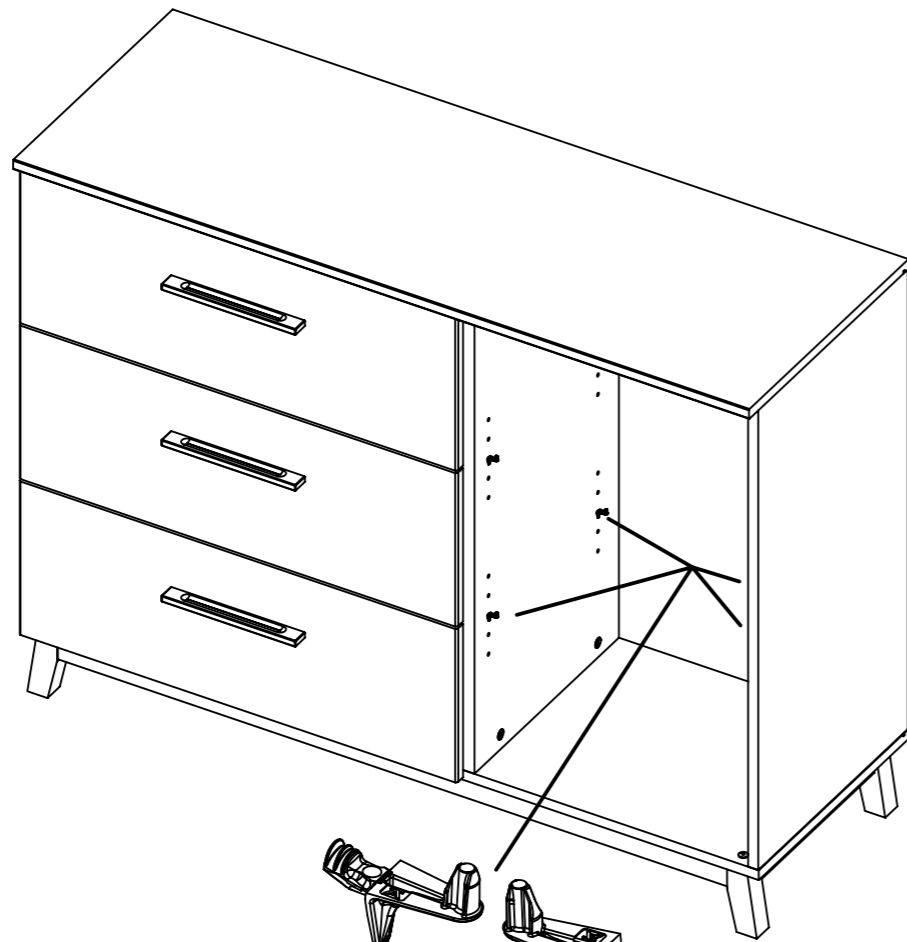
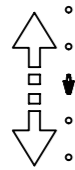


29

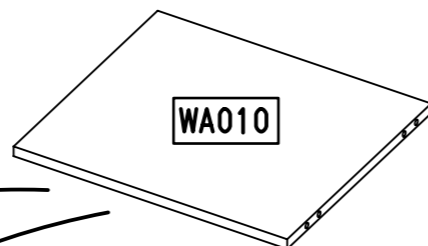
8x 1105



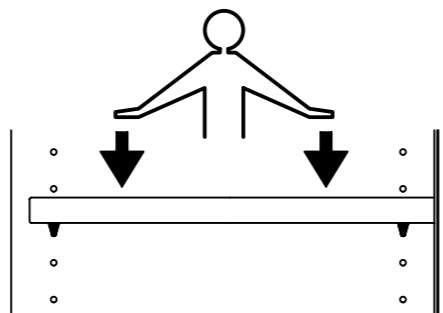
1105



1105

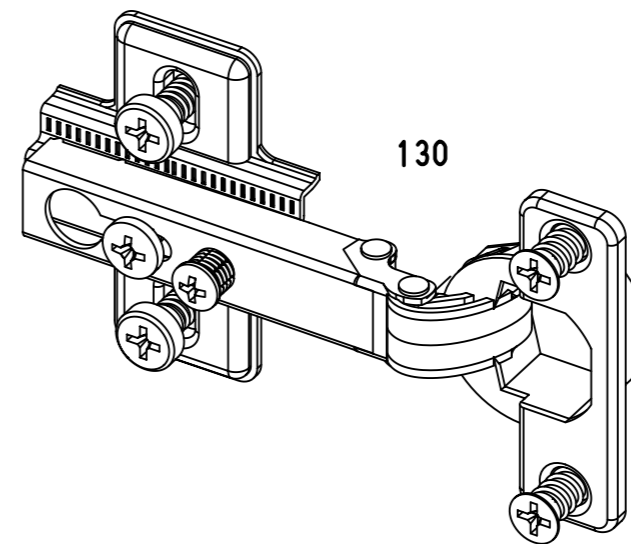
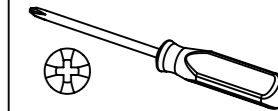
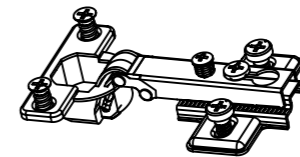


WA010



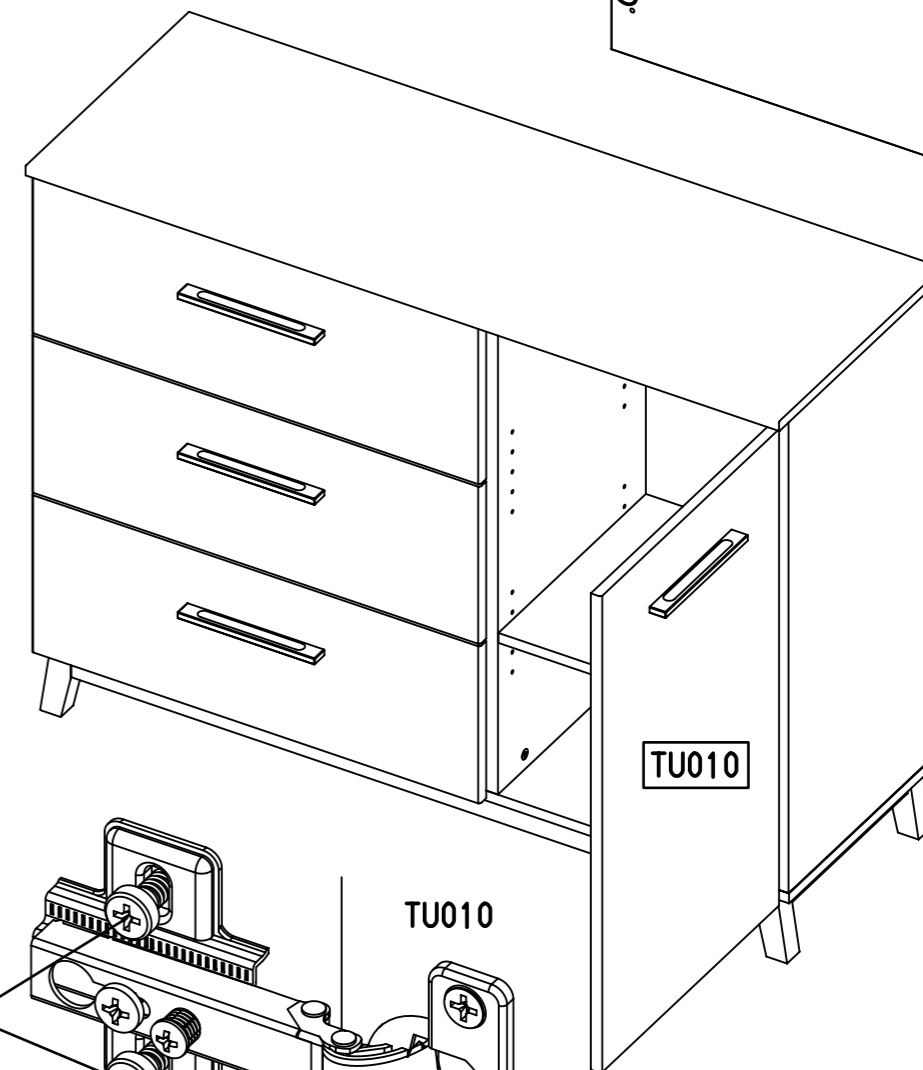
30

2x 130



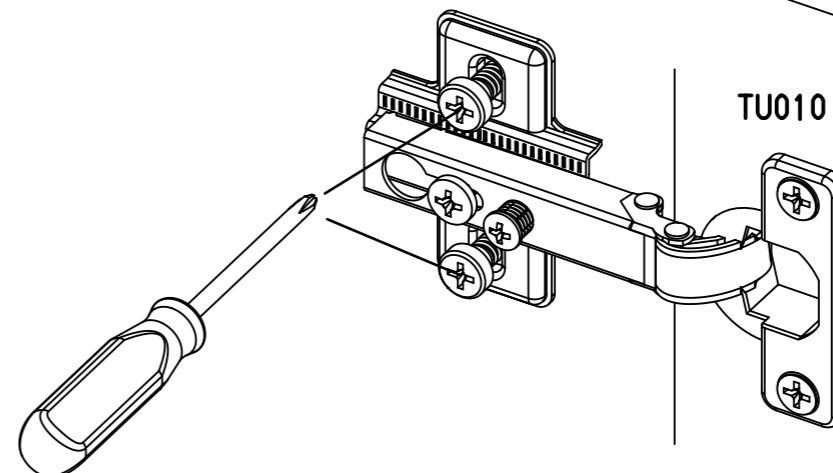
130

TU010



TU010

TU010





31

