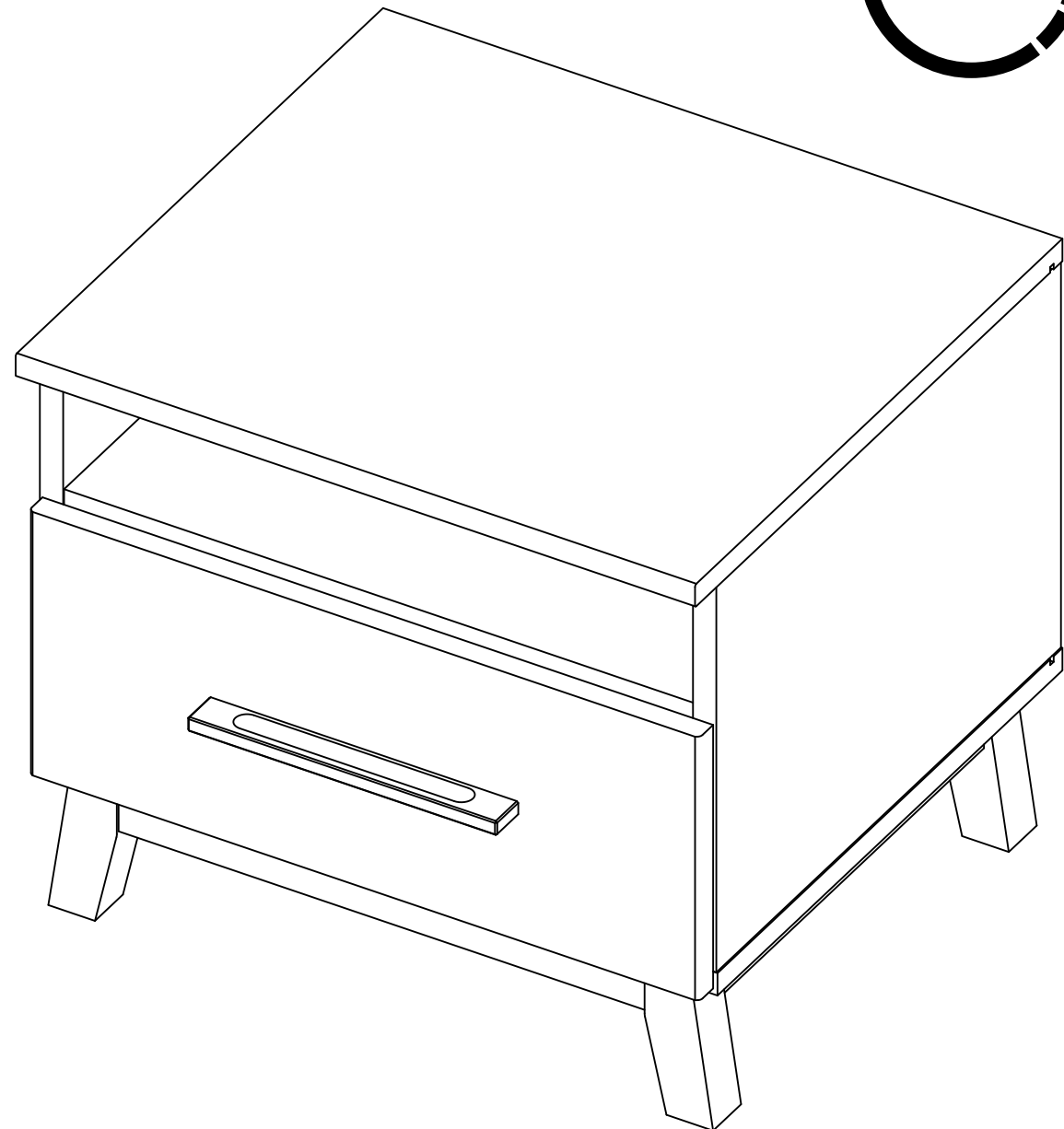
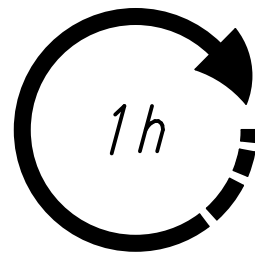
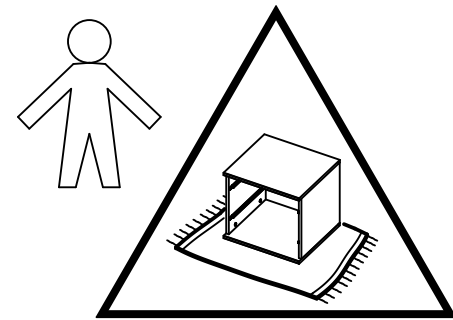
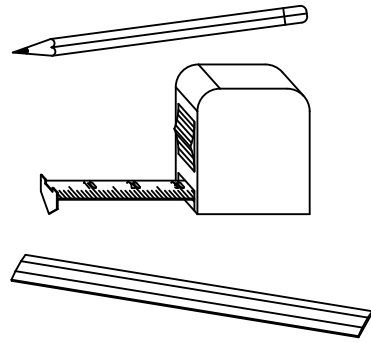
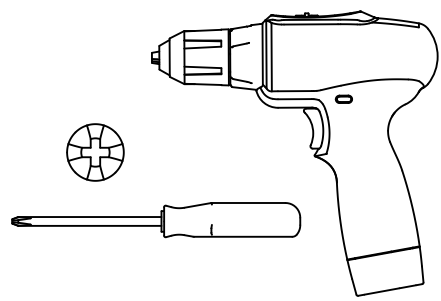
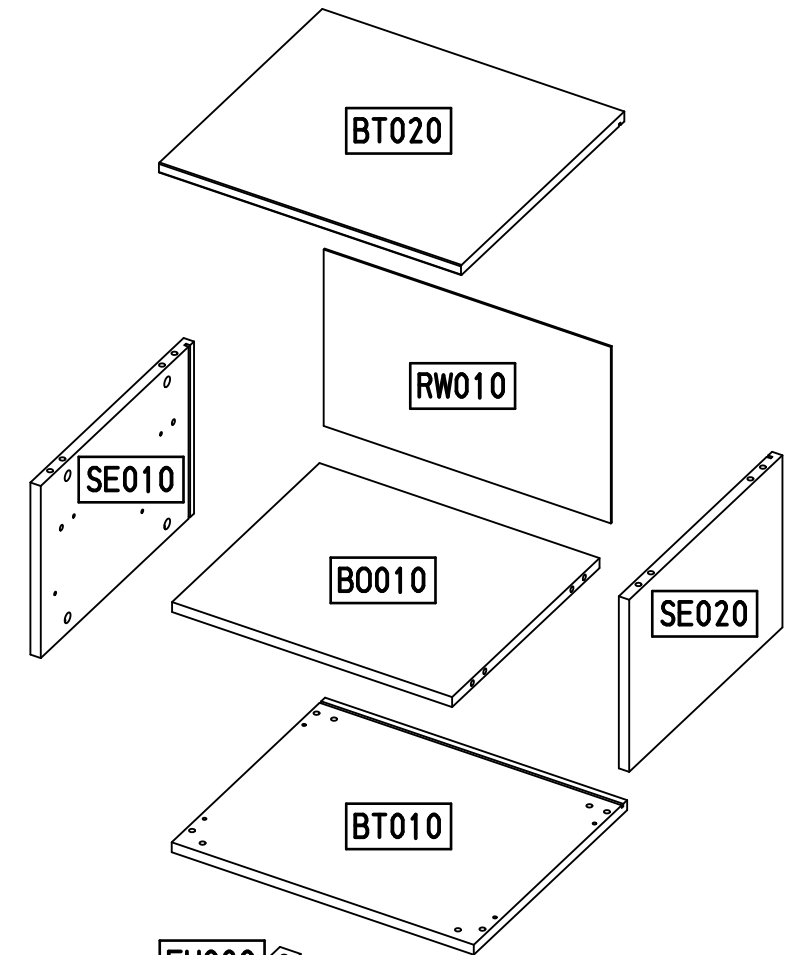


1.

M2429\_03



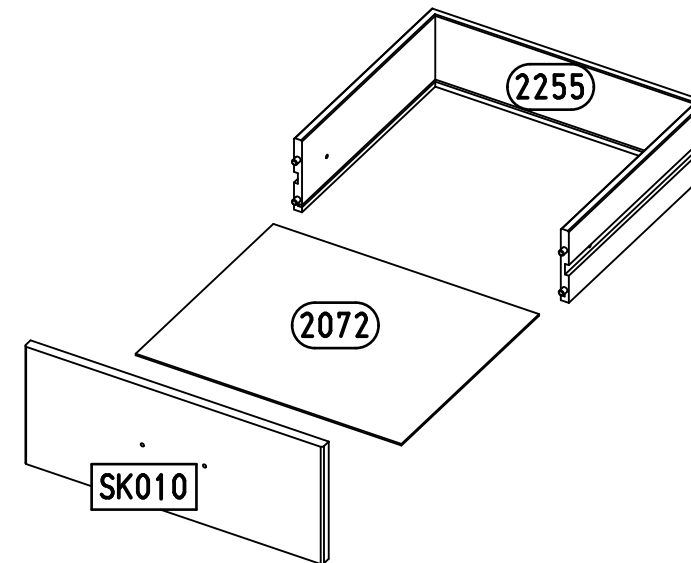
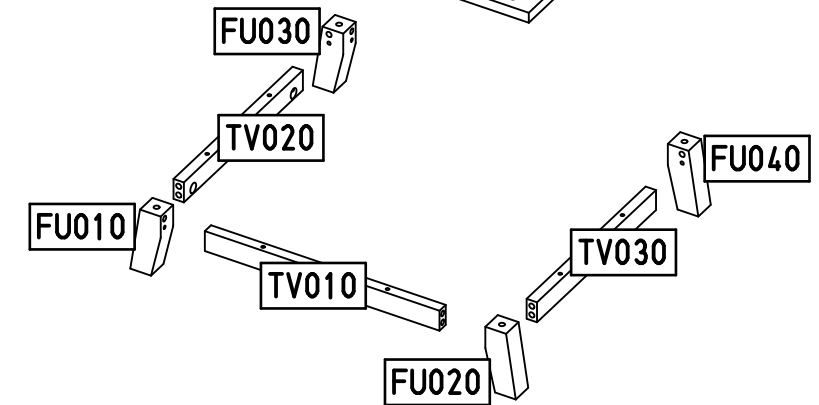
2.



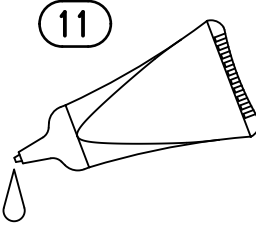
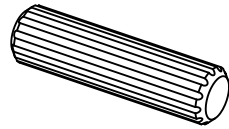
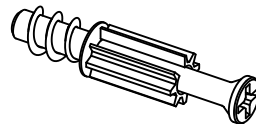
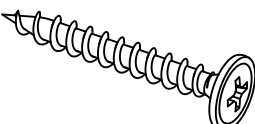
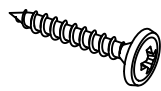

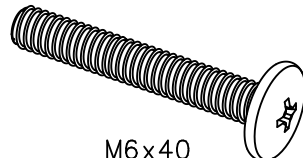
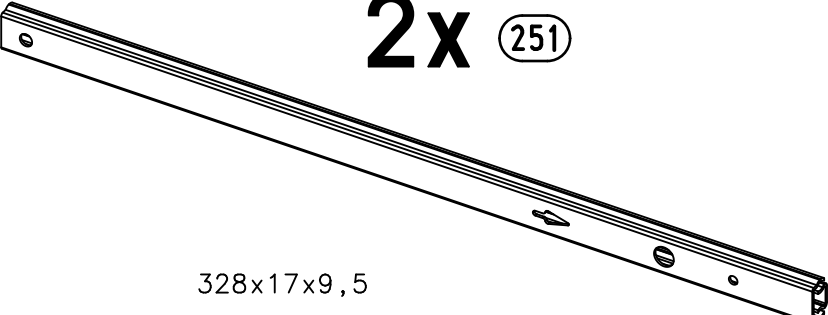


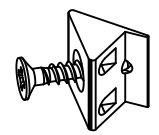
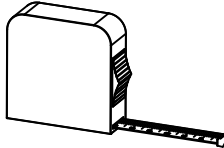
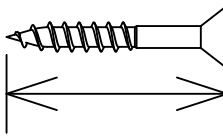
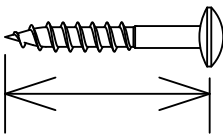
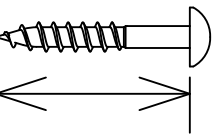
TV020 = TV030

FU010 = FU040

FU020 = FU030

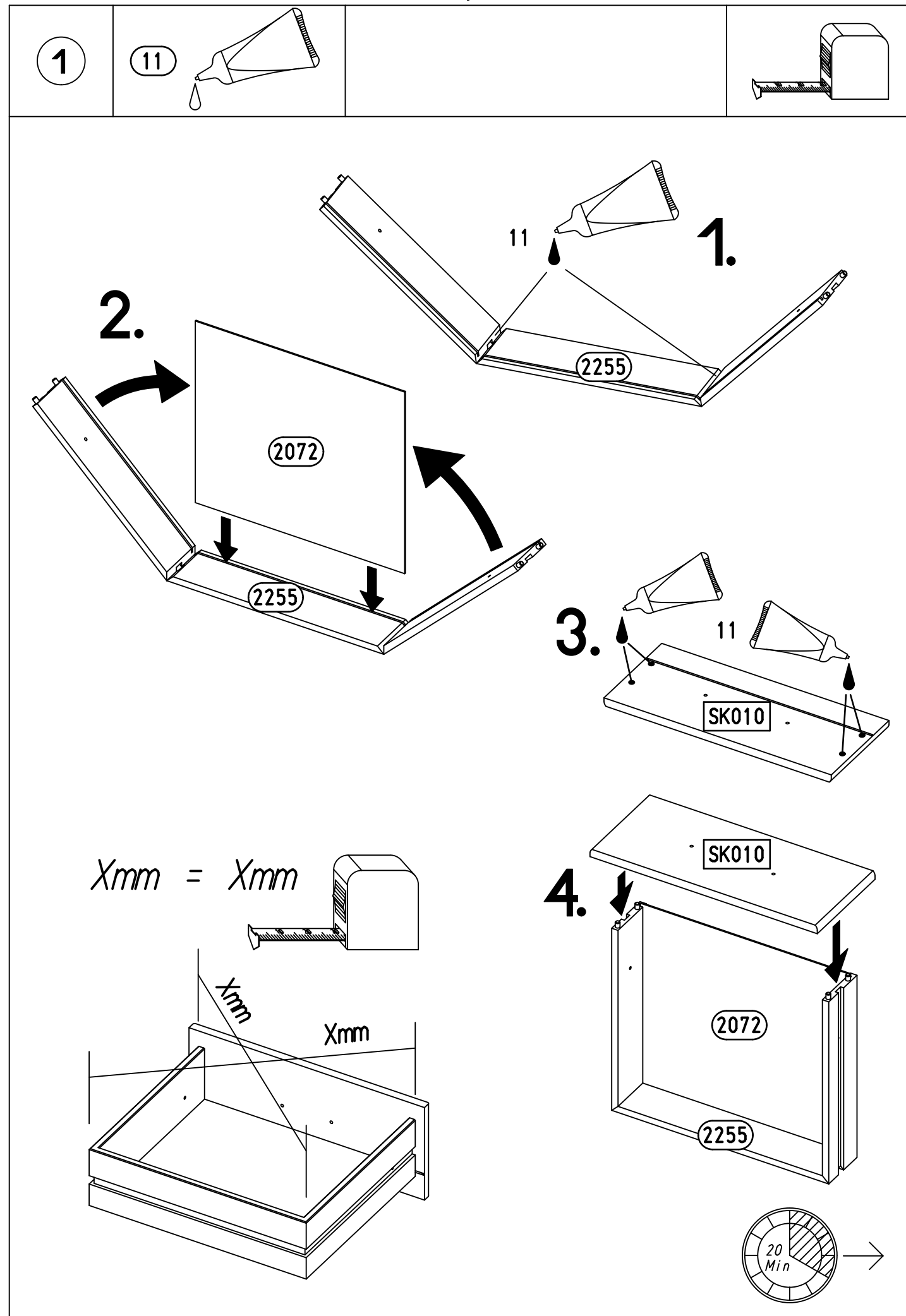


3.

 <p>11</p>	<p>18x 18</p>  <p>8x30</p>	<p>18x 183</p>  <p>23/10x7,5</p>	<p>6x 214</p>  <p>4,5x35</p>
<p>3x 215</p>  <p>3x20</p>	<p>4x 227</p>  <p>6x10,5</p>	<p>4x 245</p>  <p>M6x40</p>	
<p>2x 251</p>  <p>328x17x9,5</p>		<p>18x 349</p> 	
<p>2x 568</p>  <p>M4x9</p>	<p>2x 45</p> 		
   			

M2429

4.

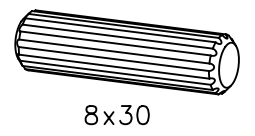


M2429

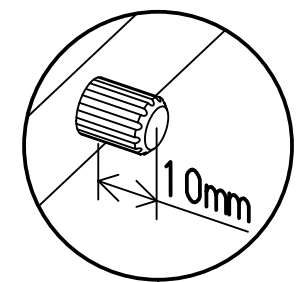
5.

2

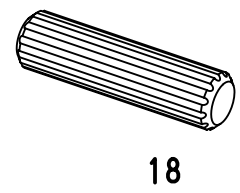
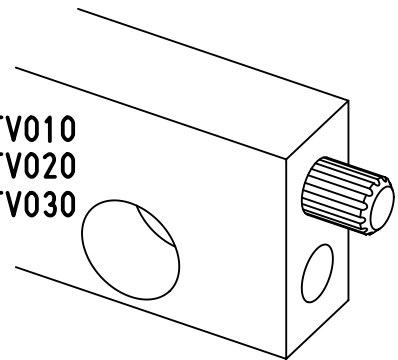
6x 18



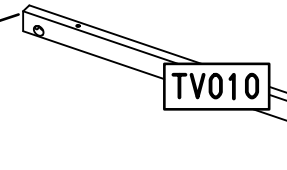
8x30



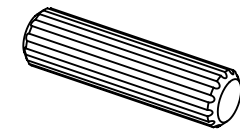
TV010  
TV020  
TV030



18



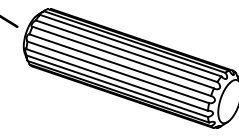
TV010



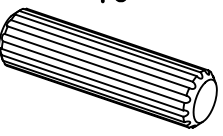
TV020



TV030

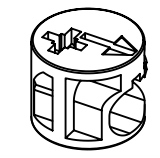


18

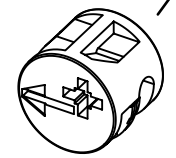
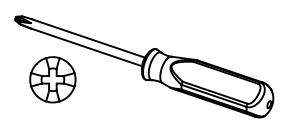


3

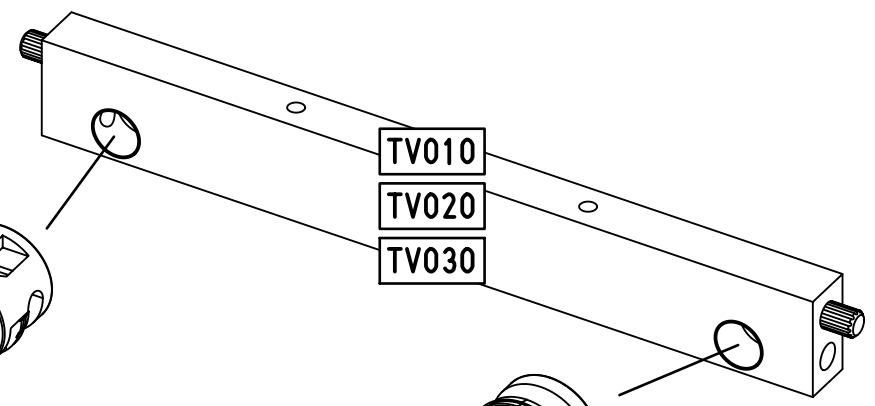
6x 349



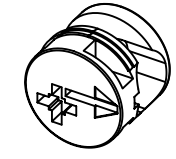
349



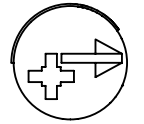
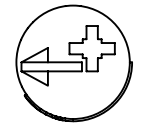
349



TV010  
TV020  
TV030



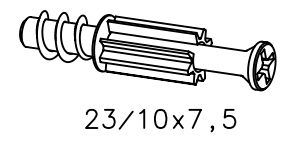
349



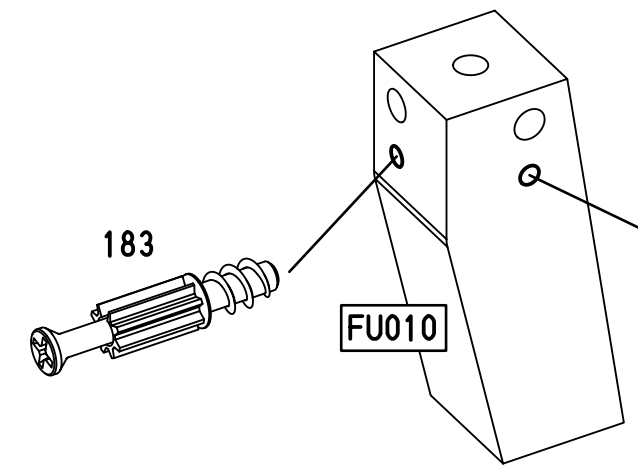
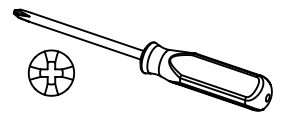
6.

4

6x 183

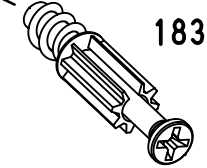


23/10x7,5

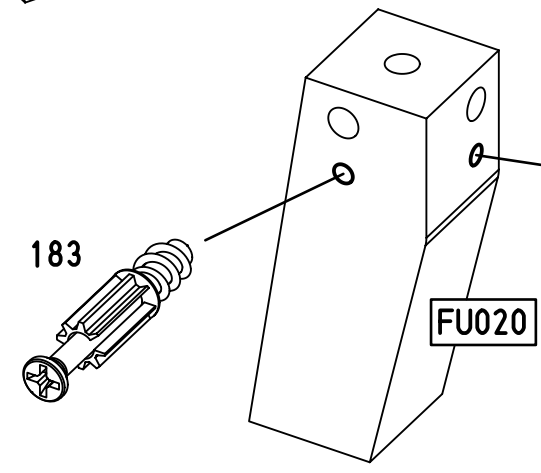


183

FU010

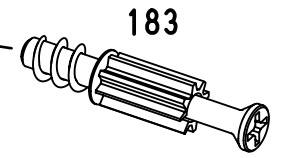


183

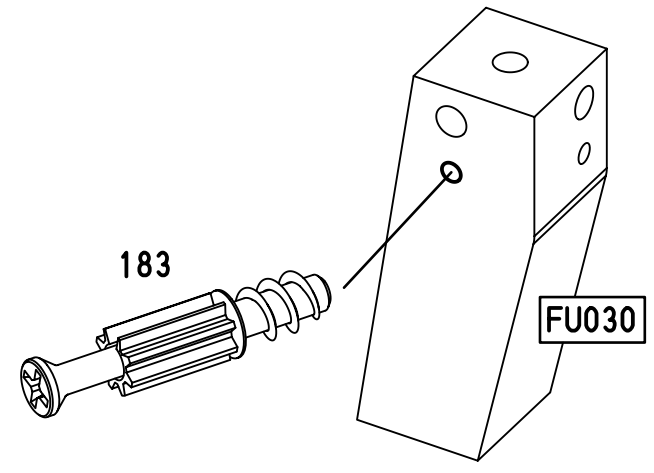


183

FU020

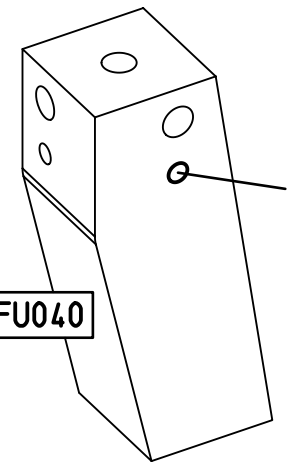


183

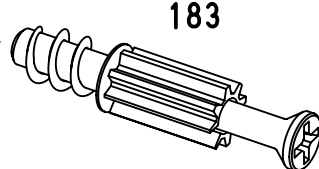


183

FU030

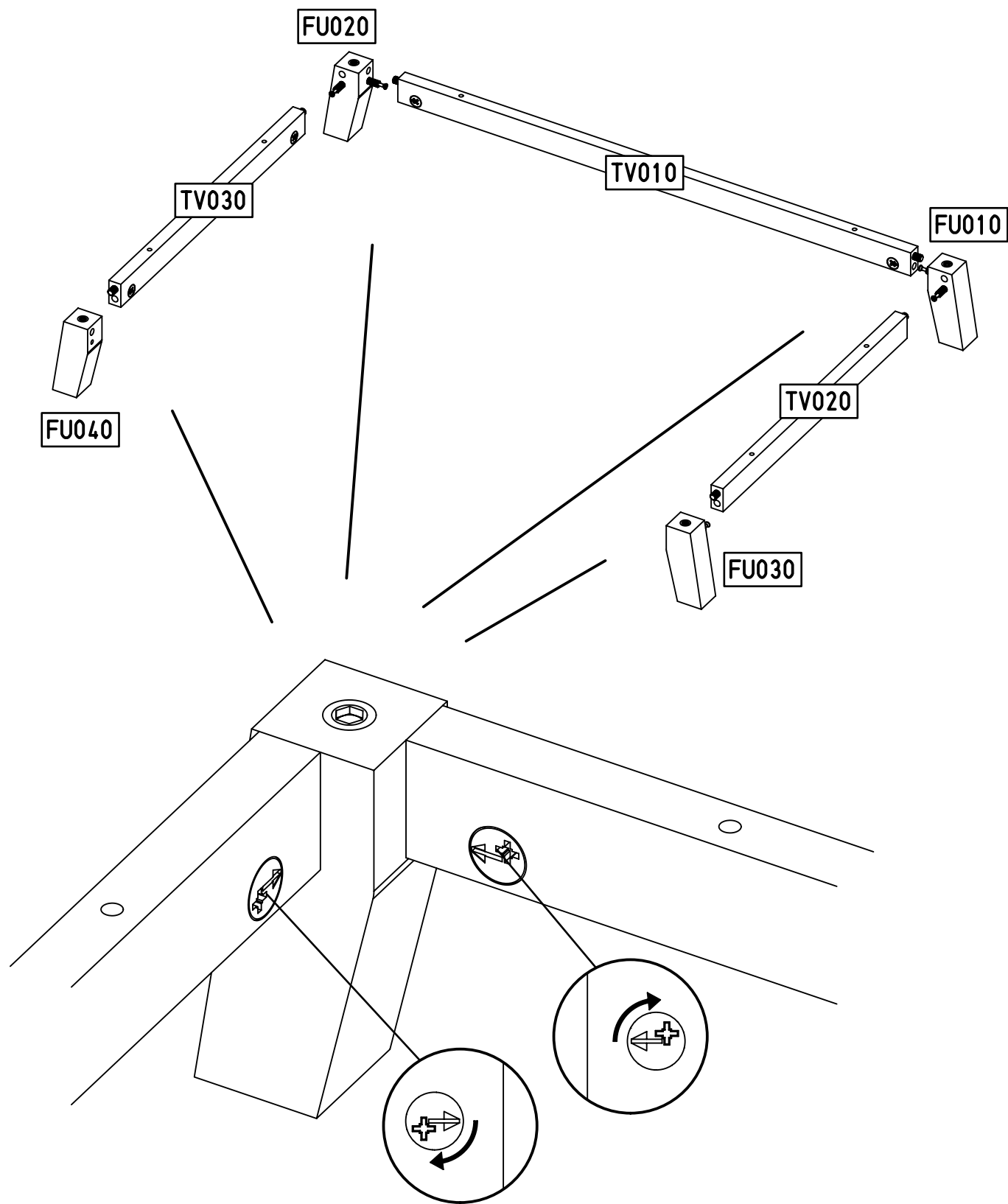
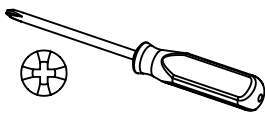


FU040



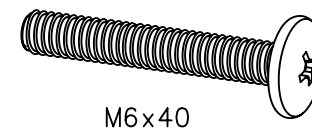
183

5

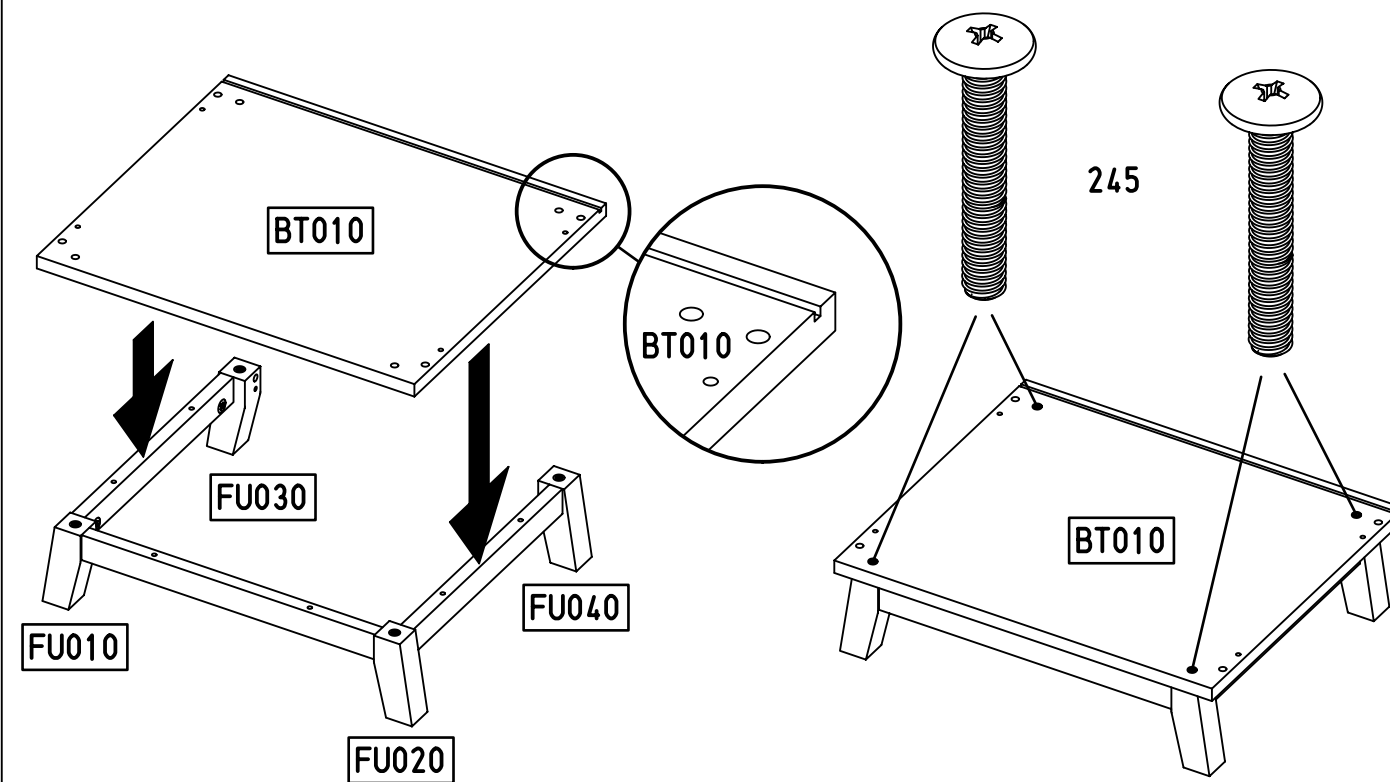
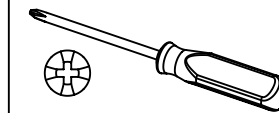


6

4x 245

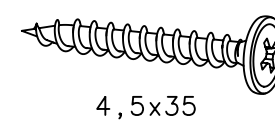


M6x40

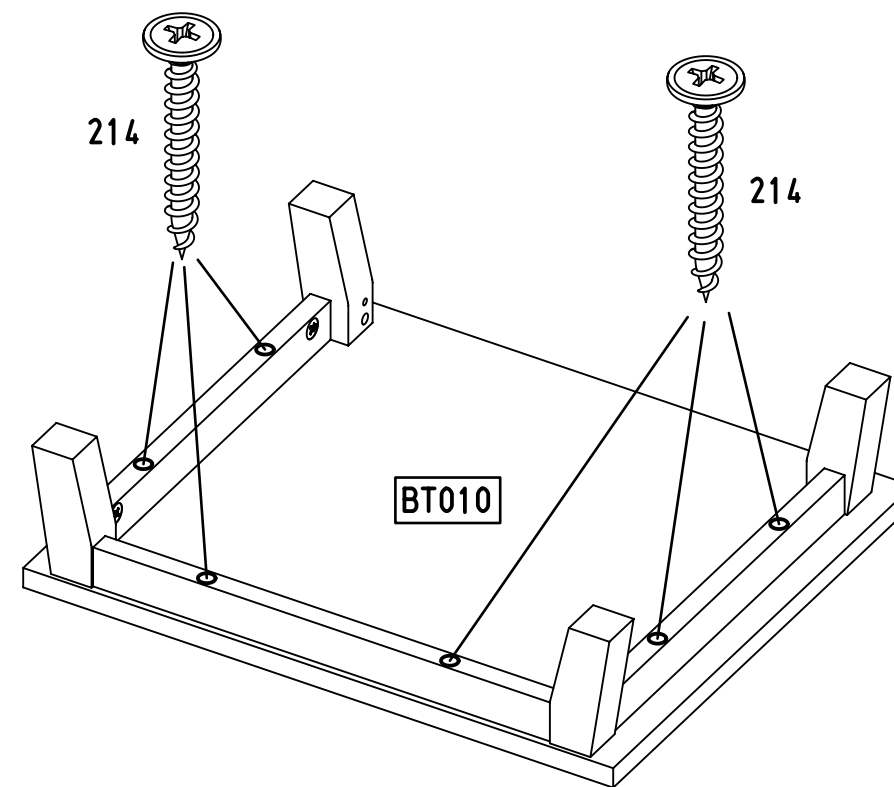
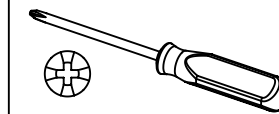


7

6x 214

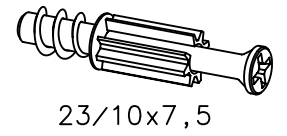


4,5x35

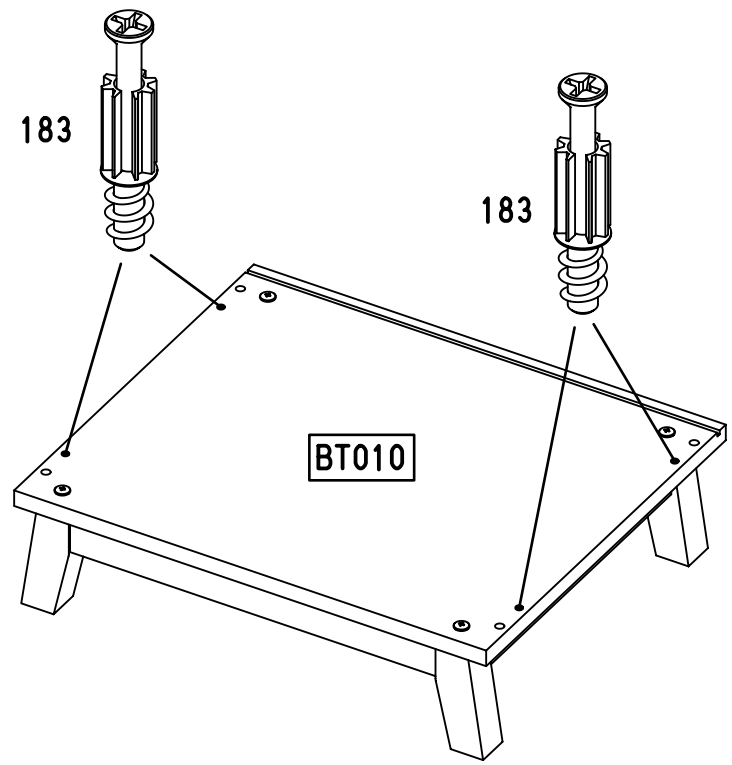
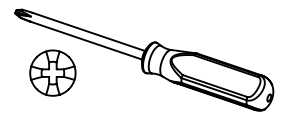


8

4x 183



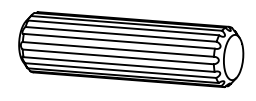
23/10x7,5



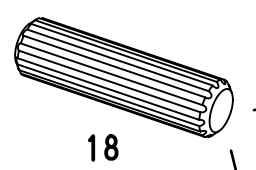
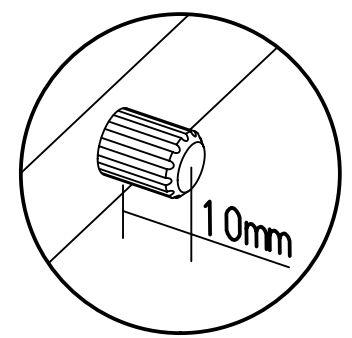
BT010

9

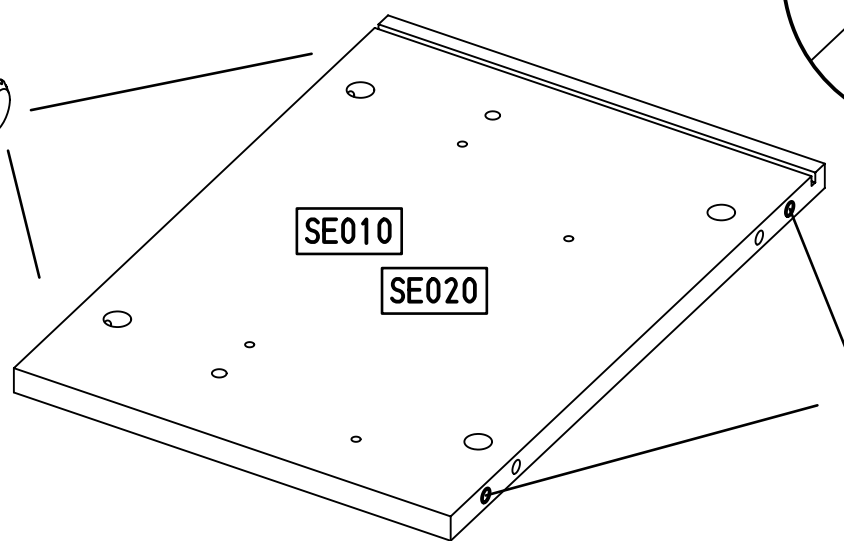
8x 18



8x30

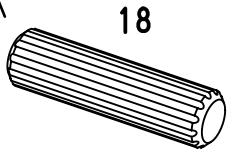


18



SE010

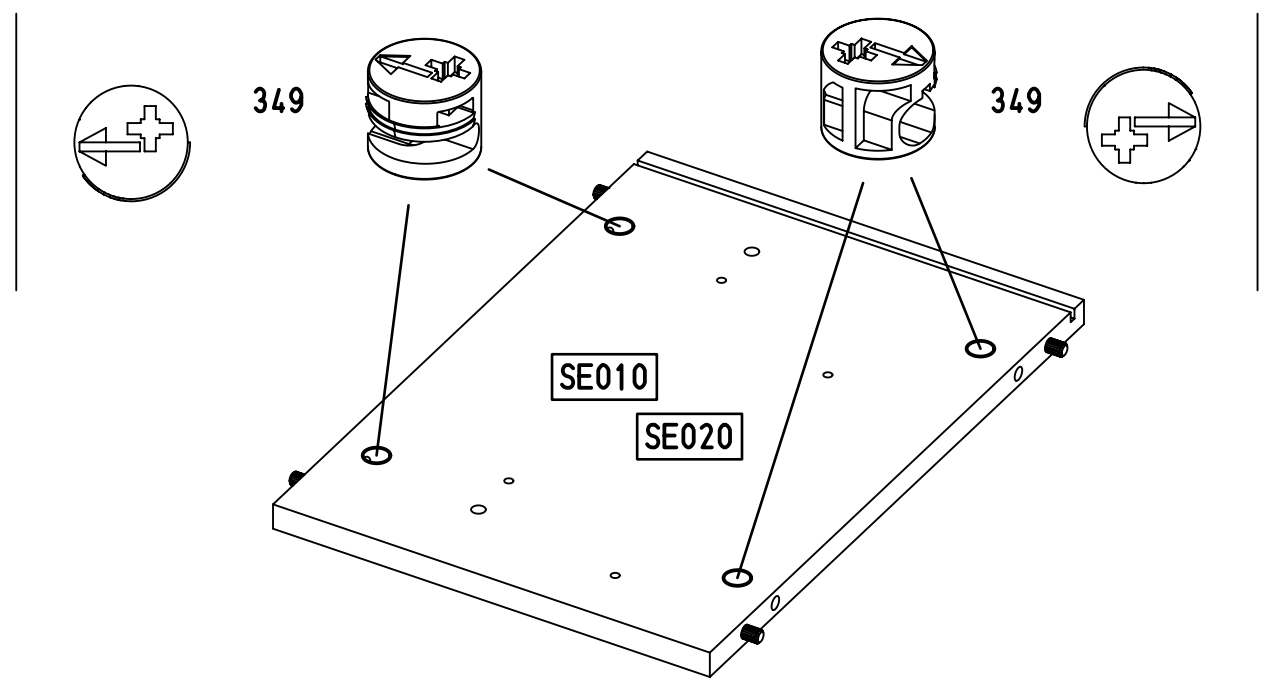
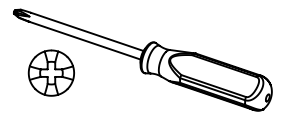
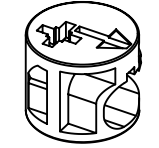
SE020



18

10

8x 349

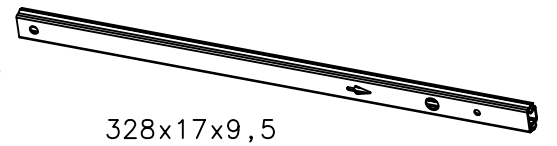


SE010

SE020

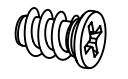
11

1x 251

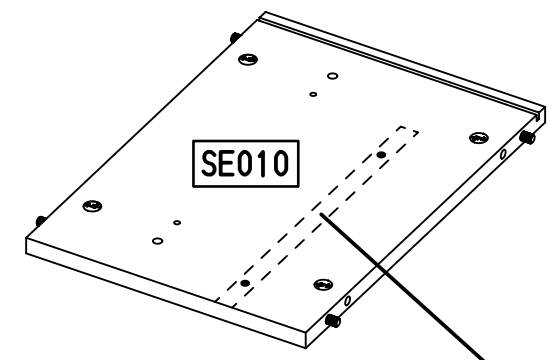
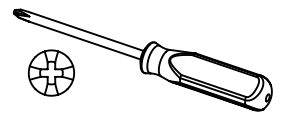


328x17x9,5

2x 227

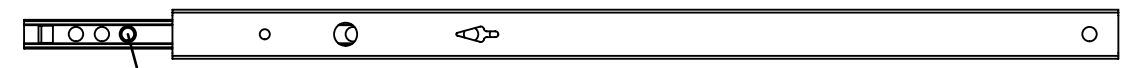


6x10,5



SE010

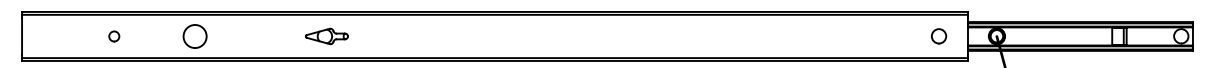
251



1.



227



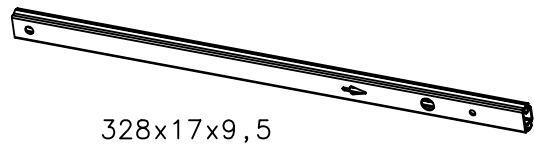
227



2.

12

1x 251

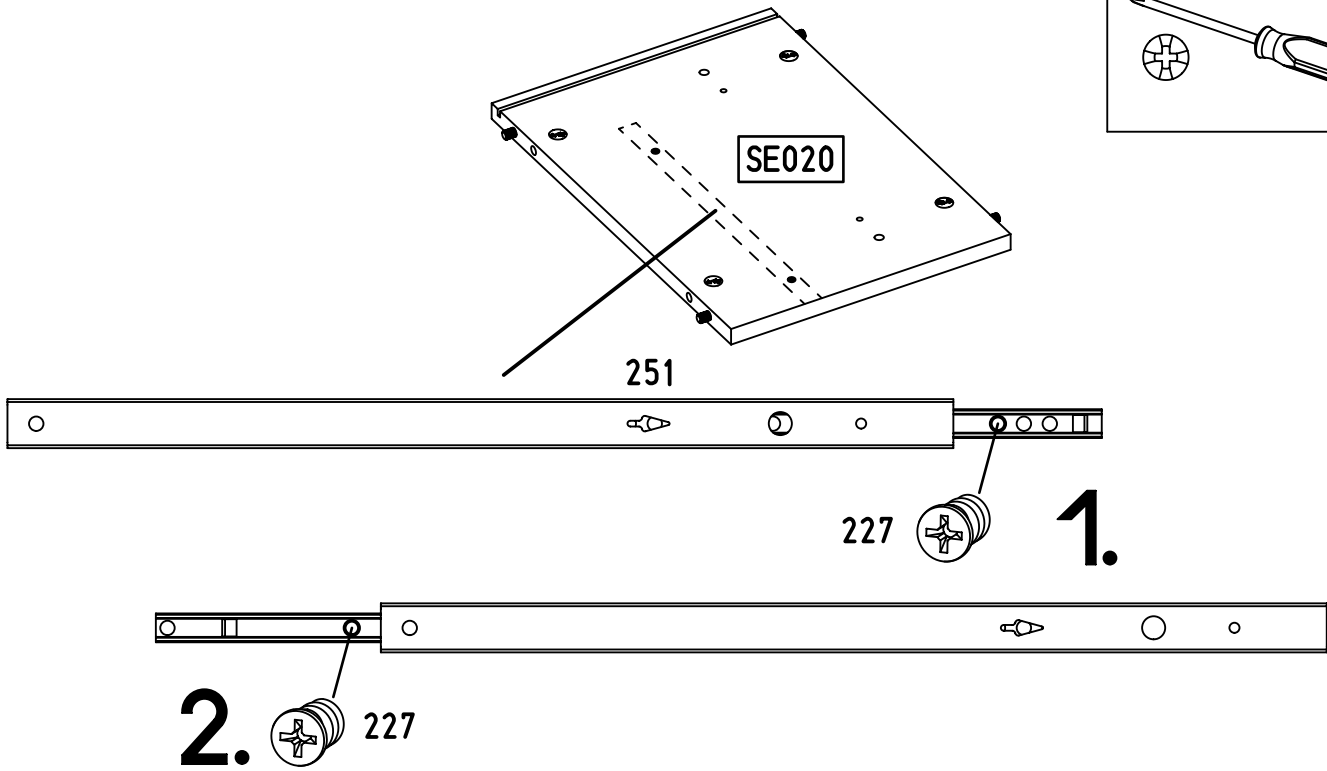
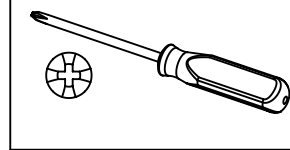


328x17x9,5

2x 227

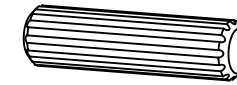


6x10,5

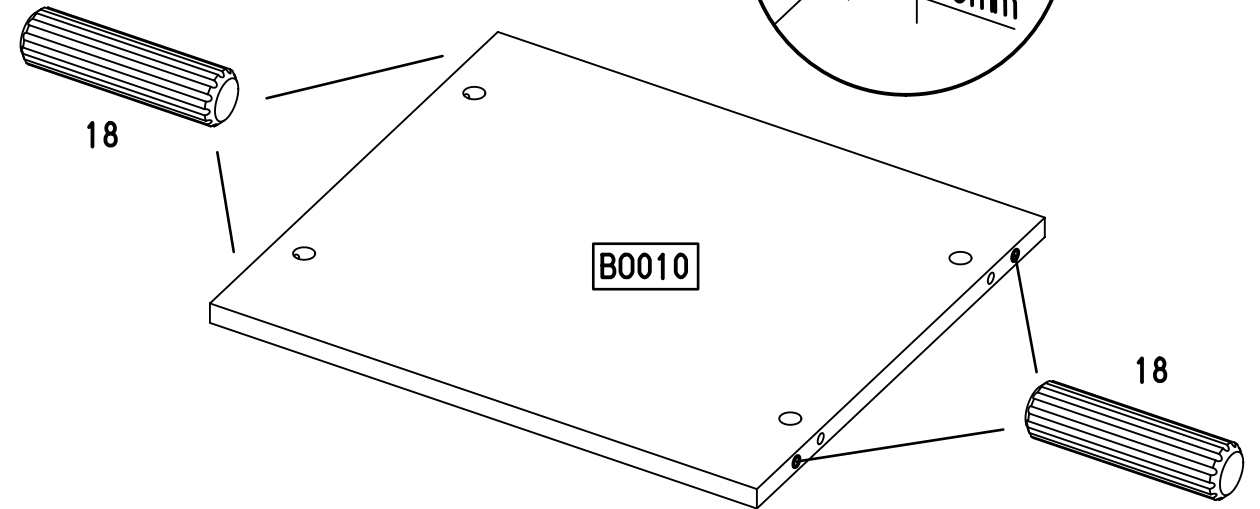
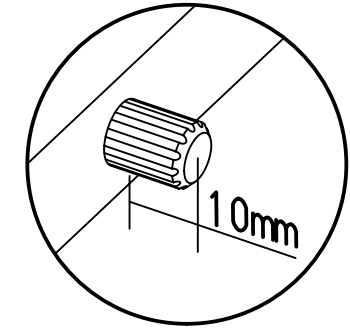


14

4x 18

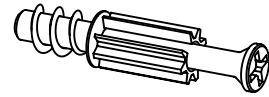


8x30

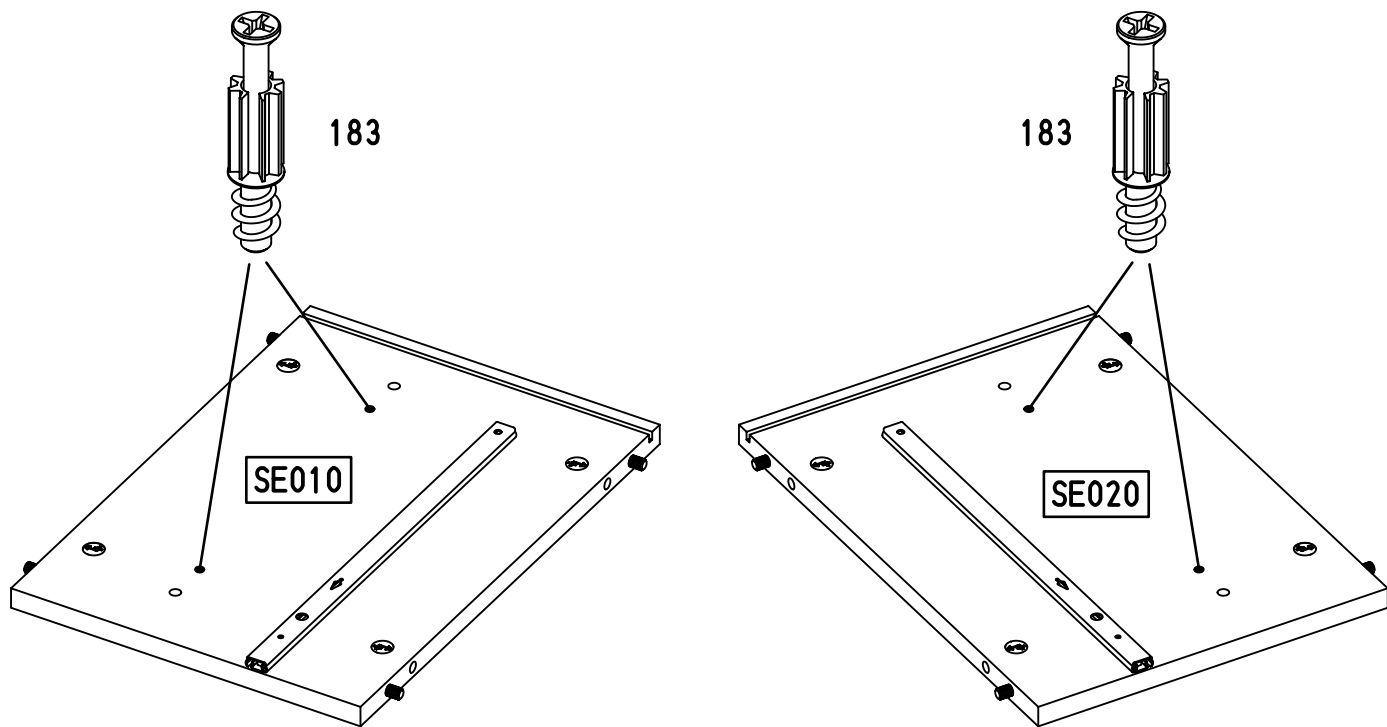
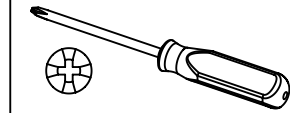


13

4x 183

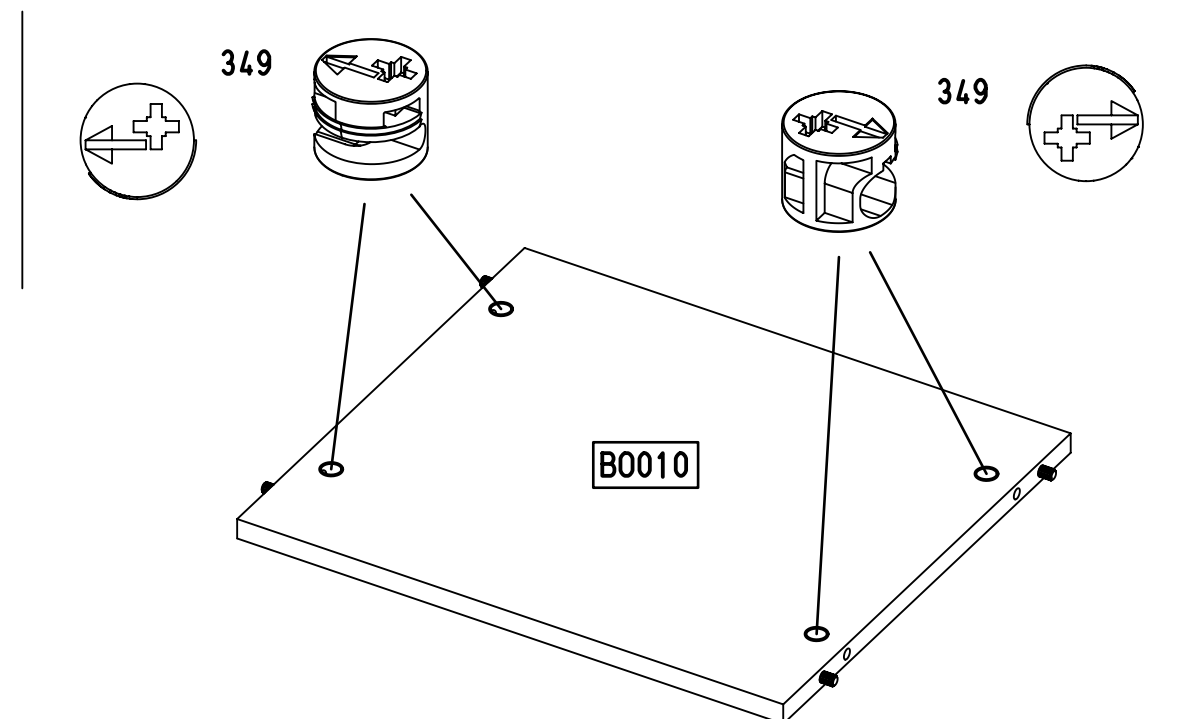
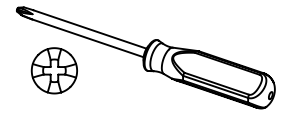


23/10x7,5

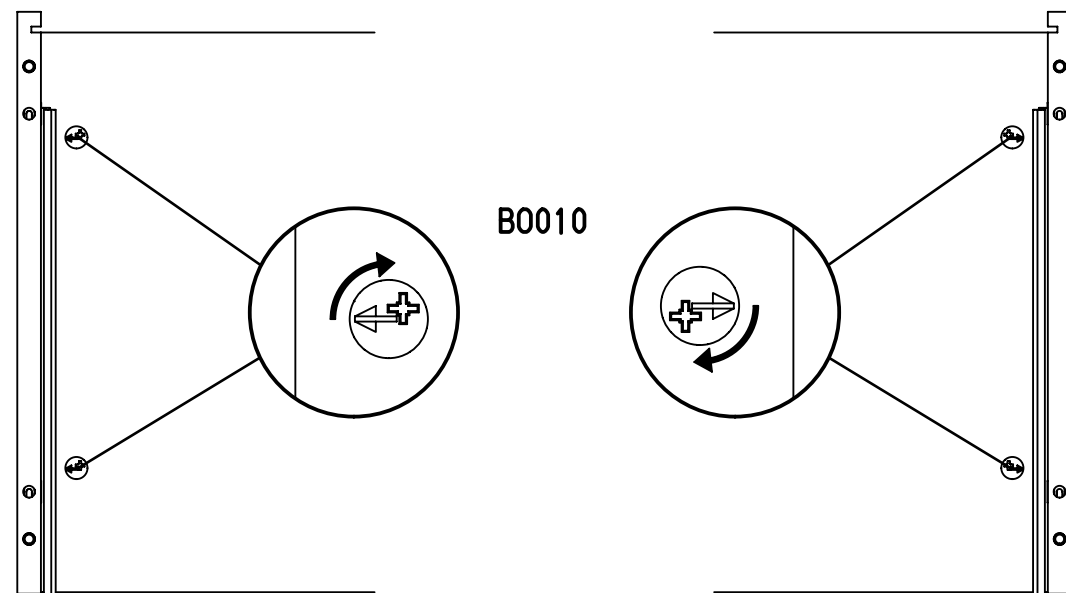
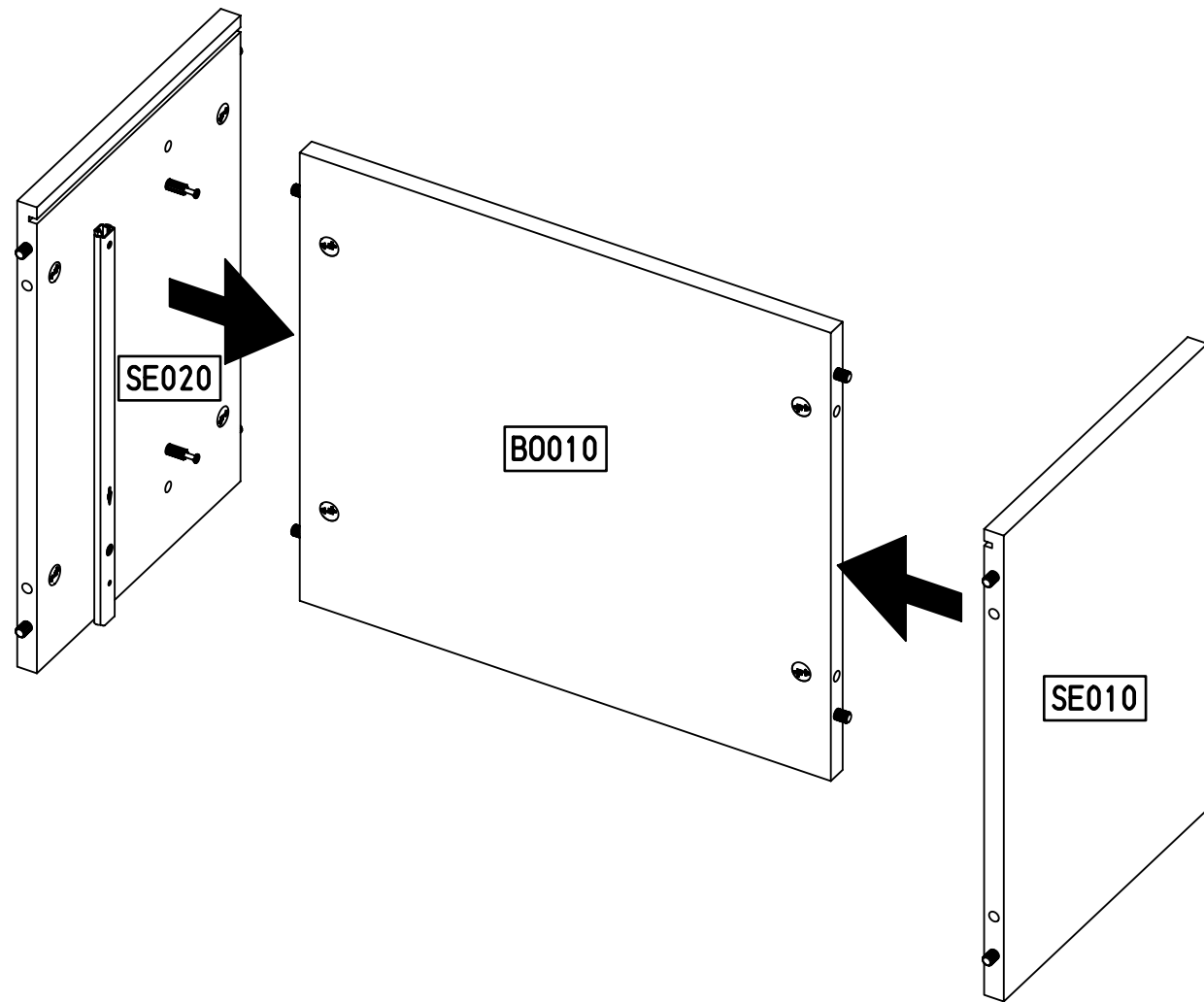
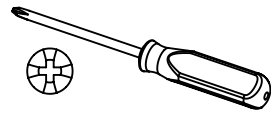


15

4x 349

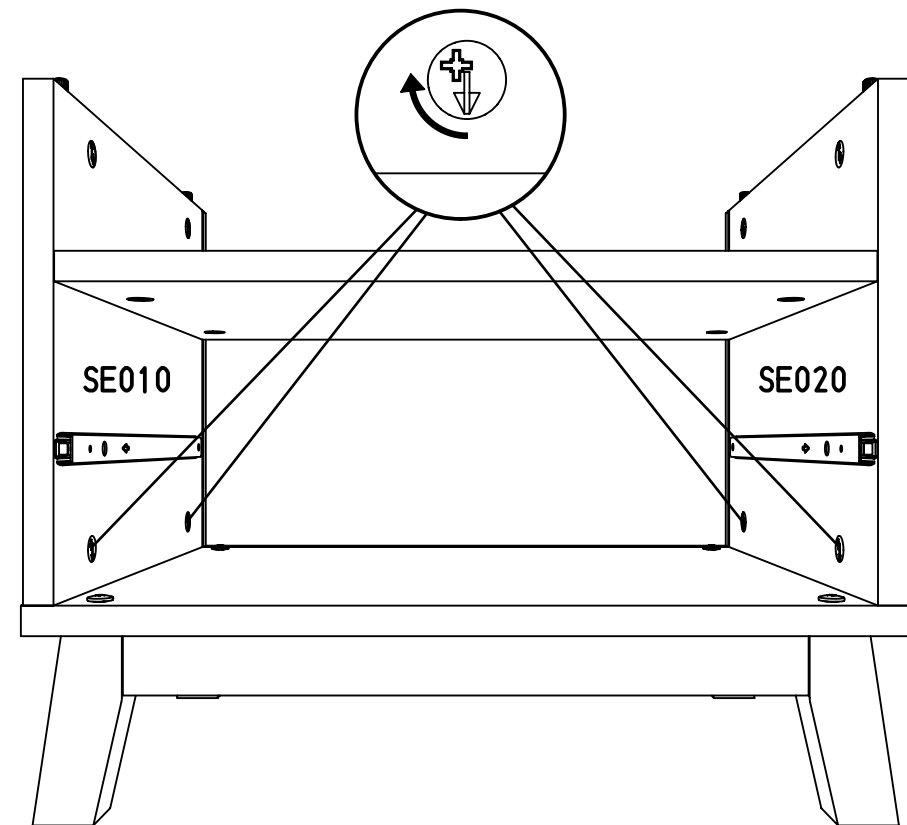
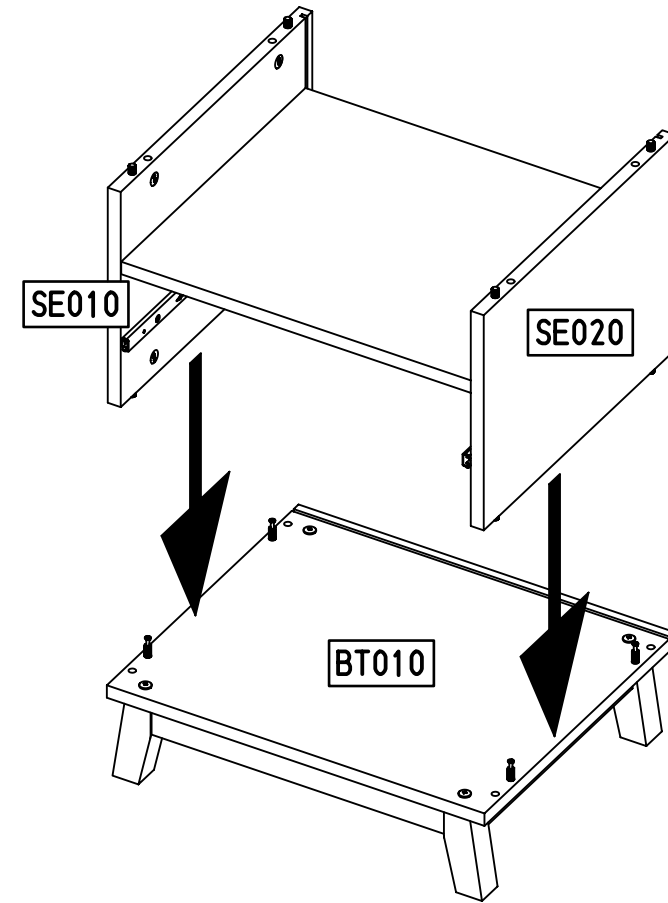
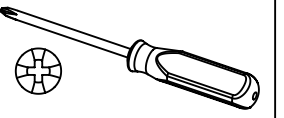


16



B0010

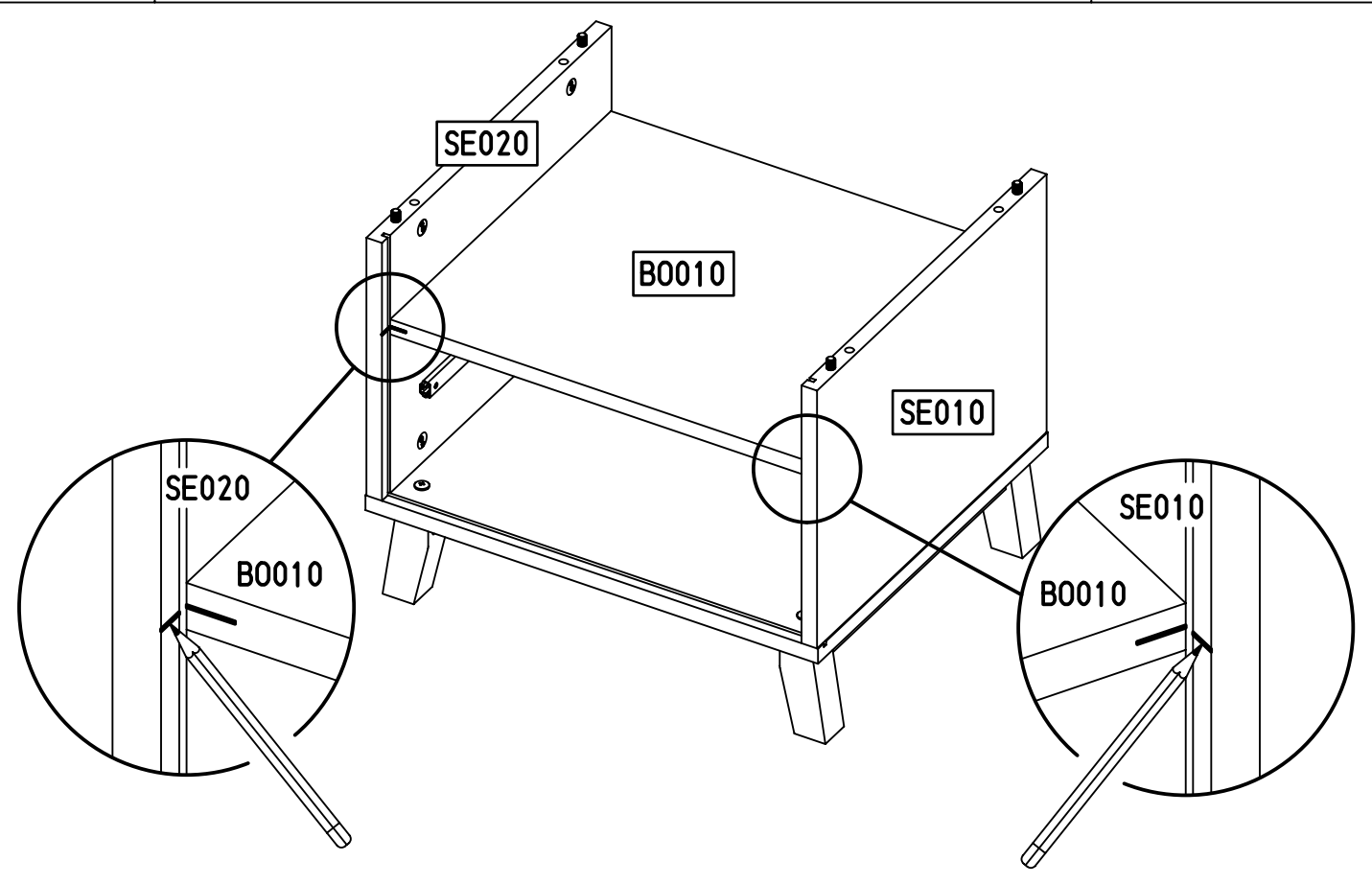
17



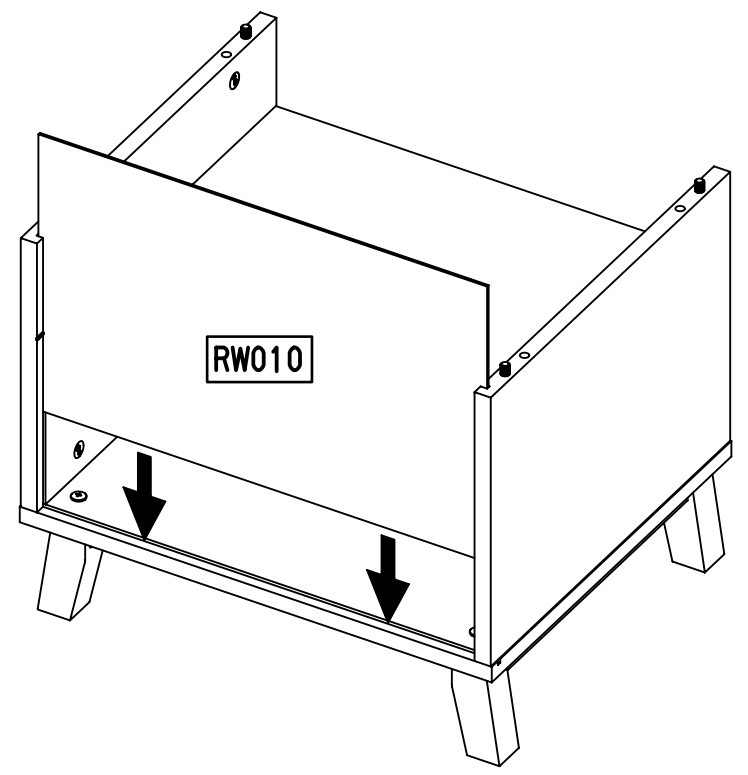
SE010

SE020

18

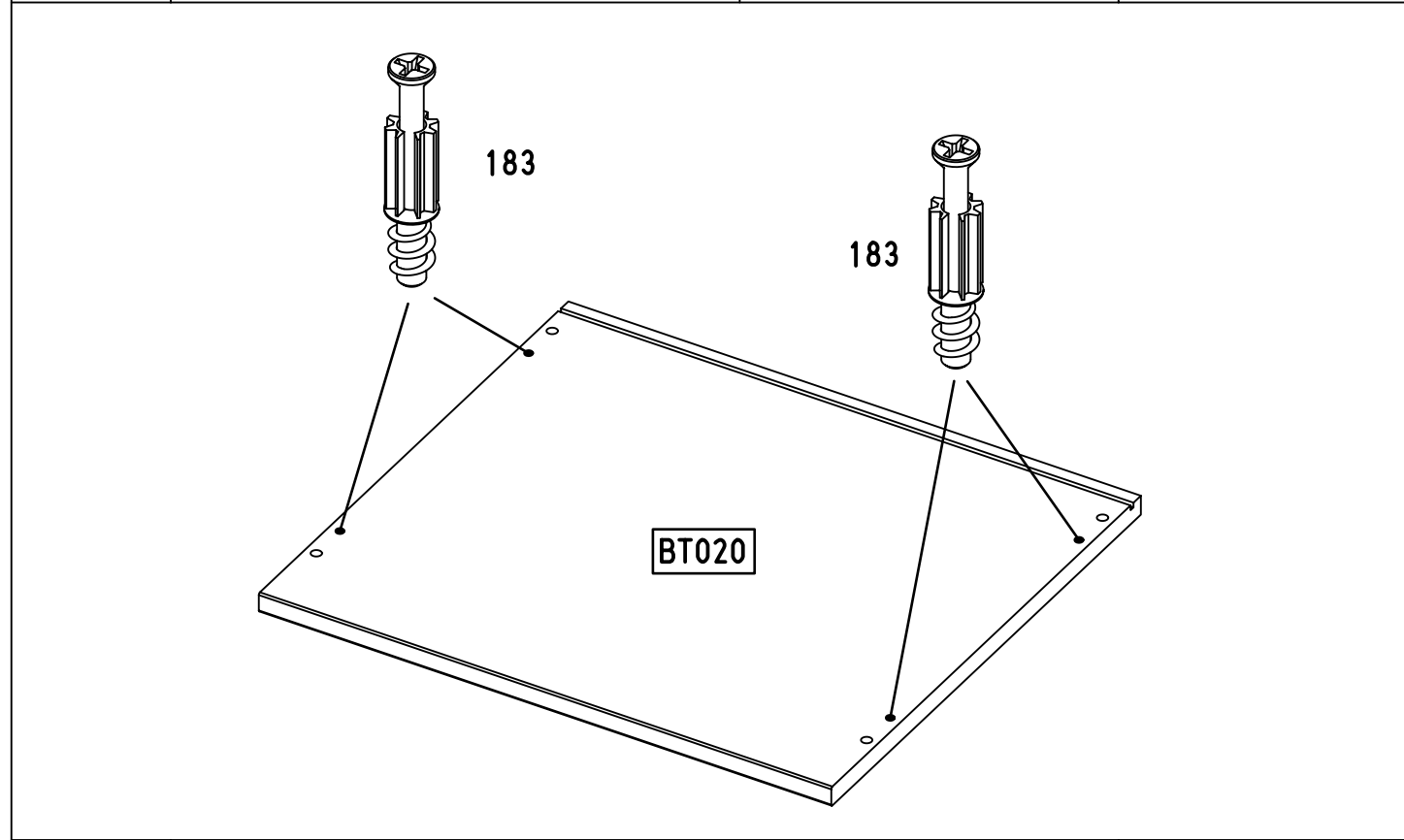
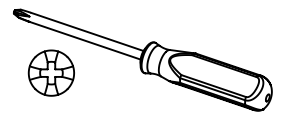
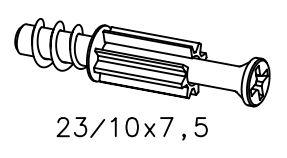


19

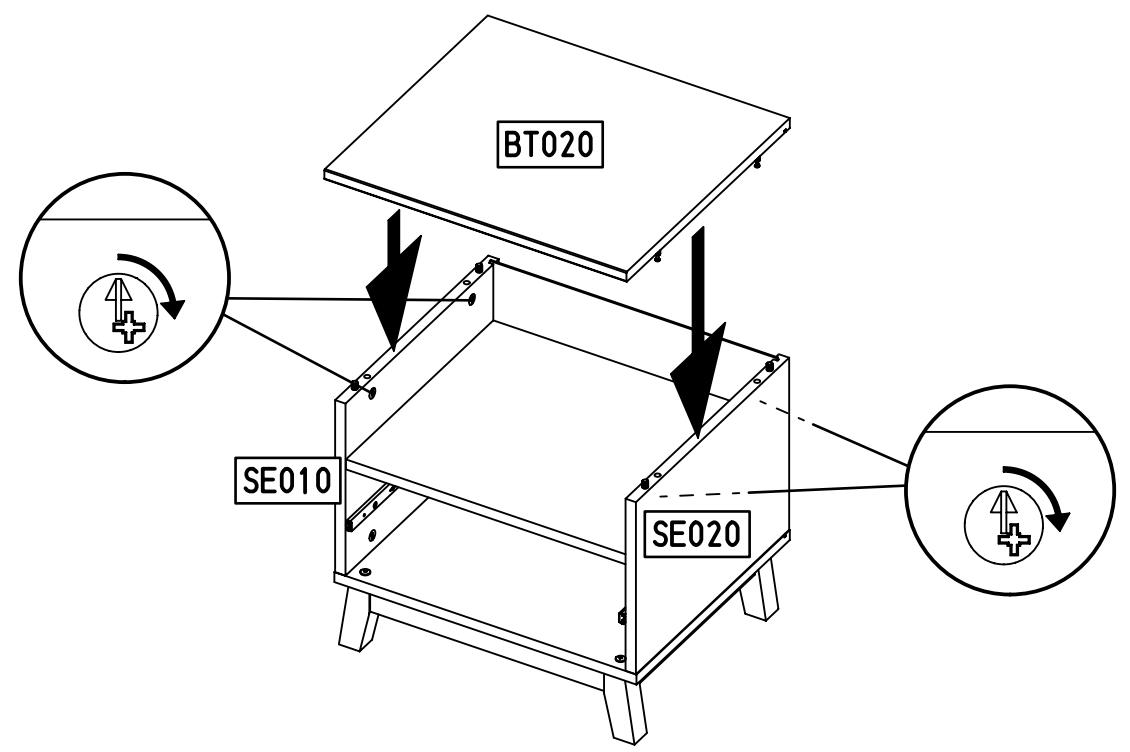
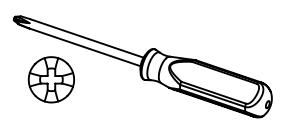


20

4x 183



21



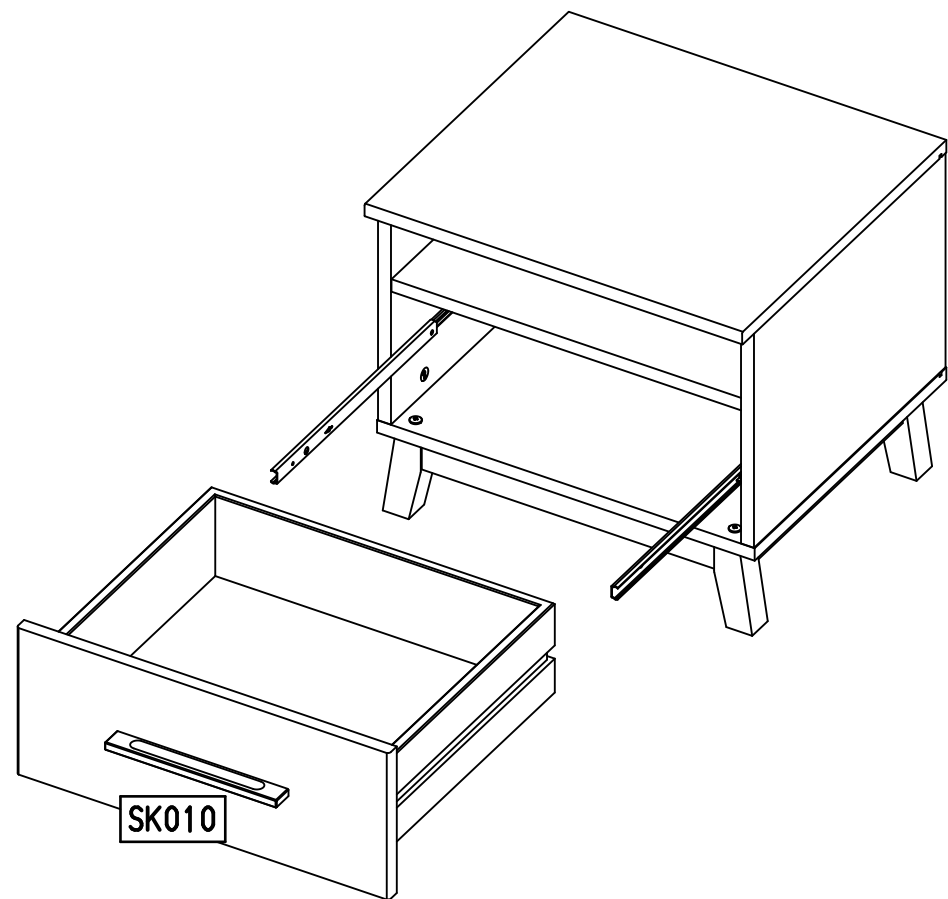
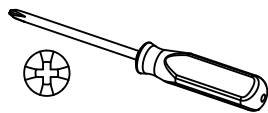


22

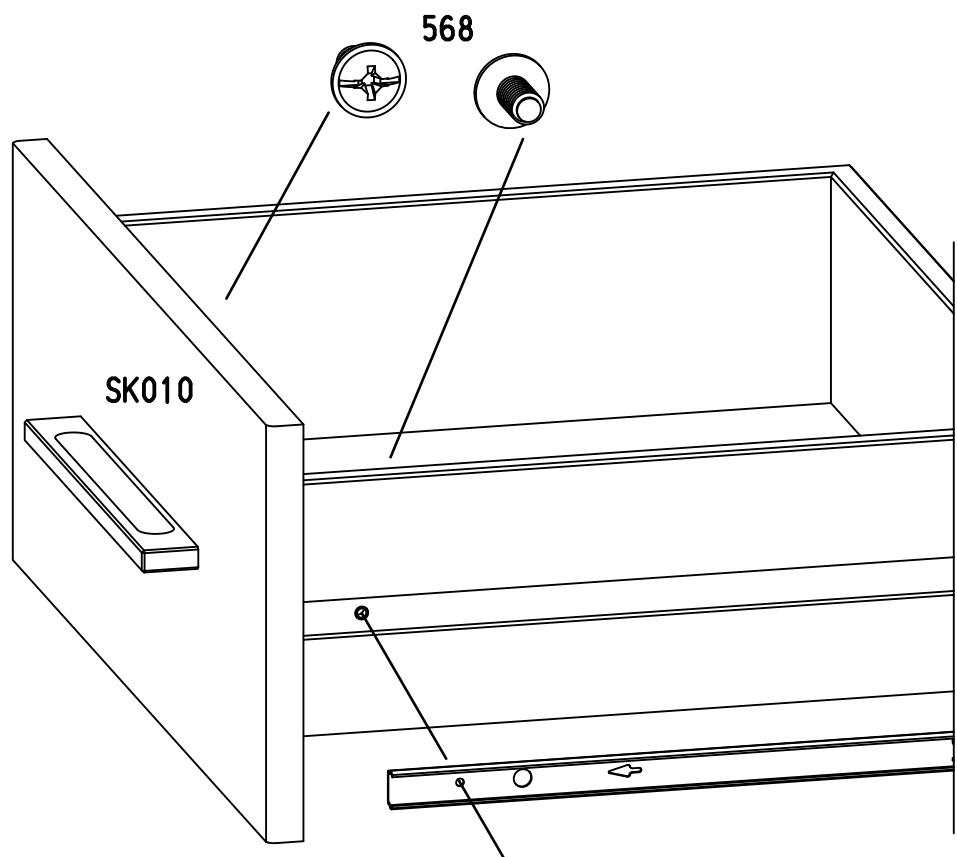
2x 568



M4x9



SK010

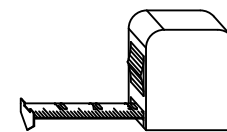
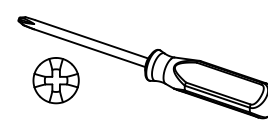
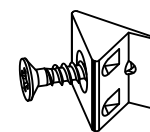


568

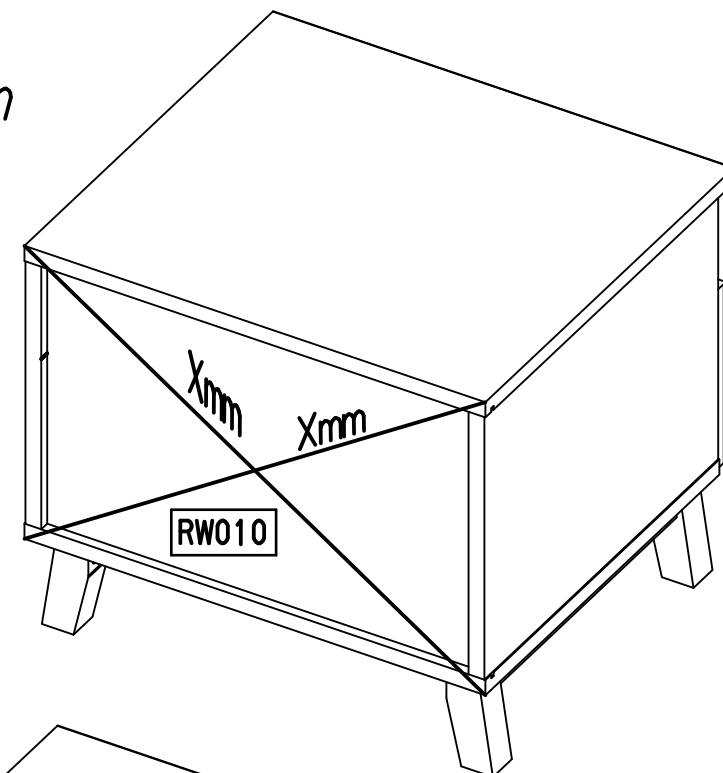
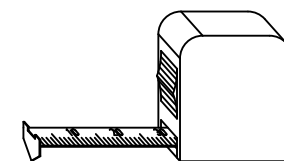
SK010

23

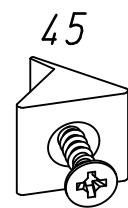
2x 45



Xmm = Xmm



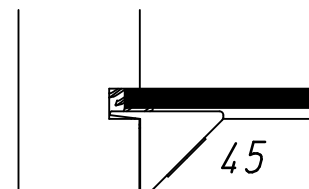
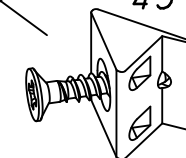
RW010



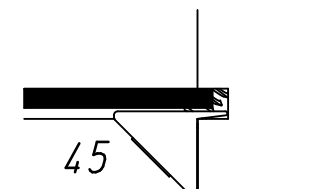
45

RW010

45



45



45

24

3x

215



3x20

