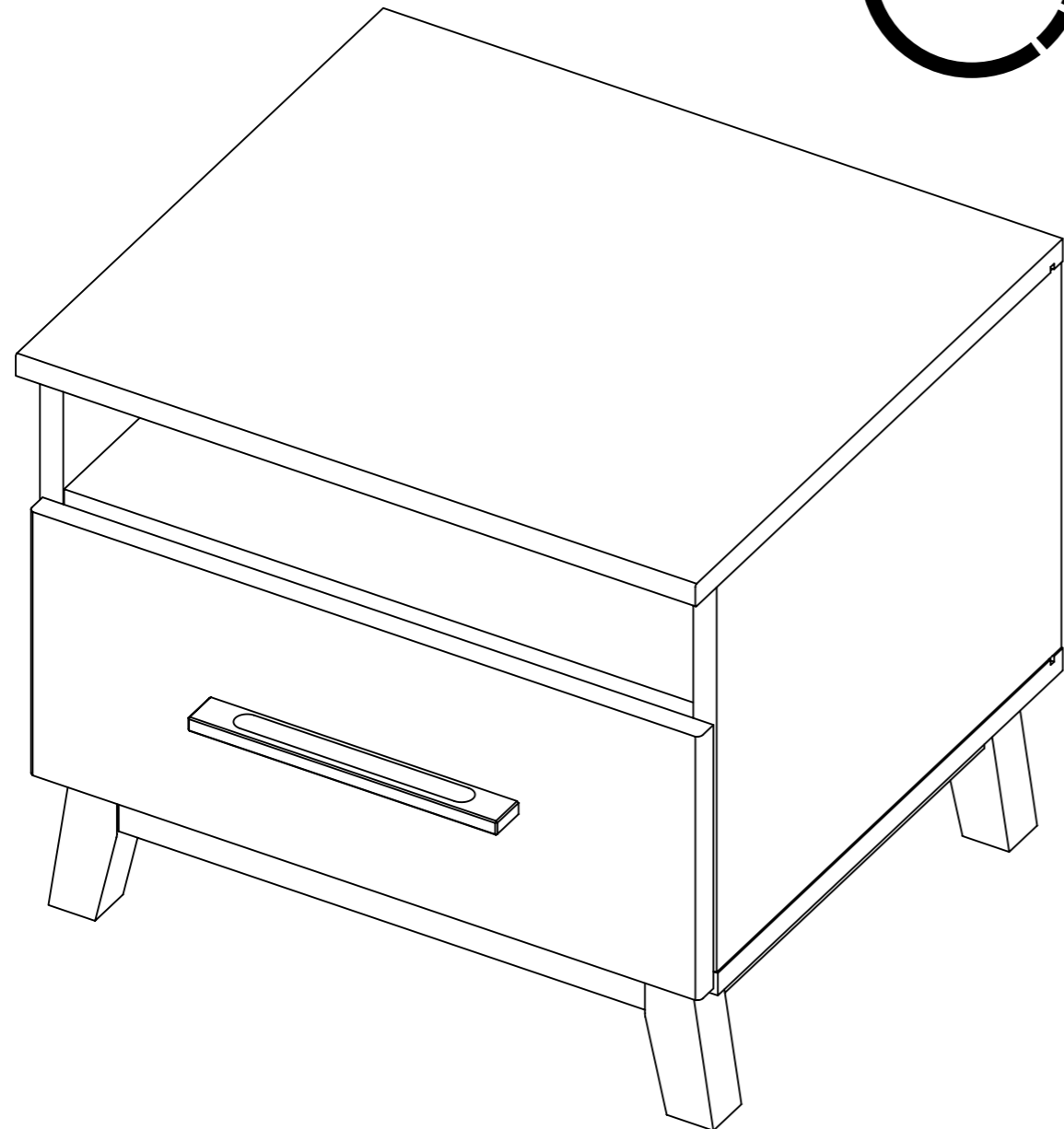
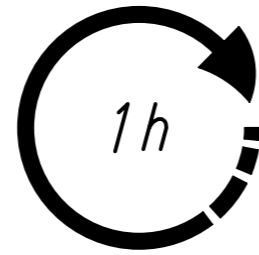
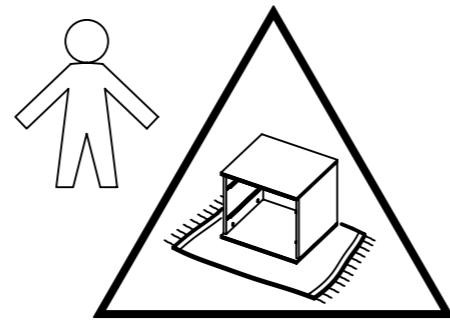
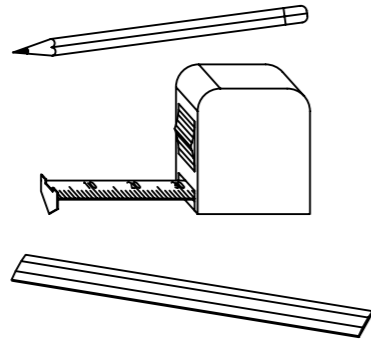
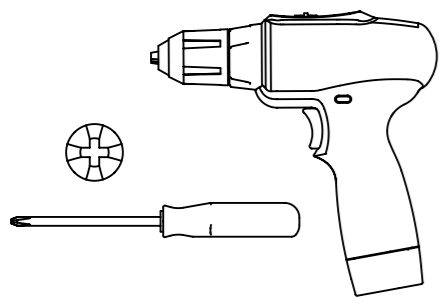


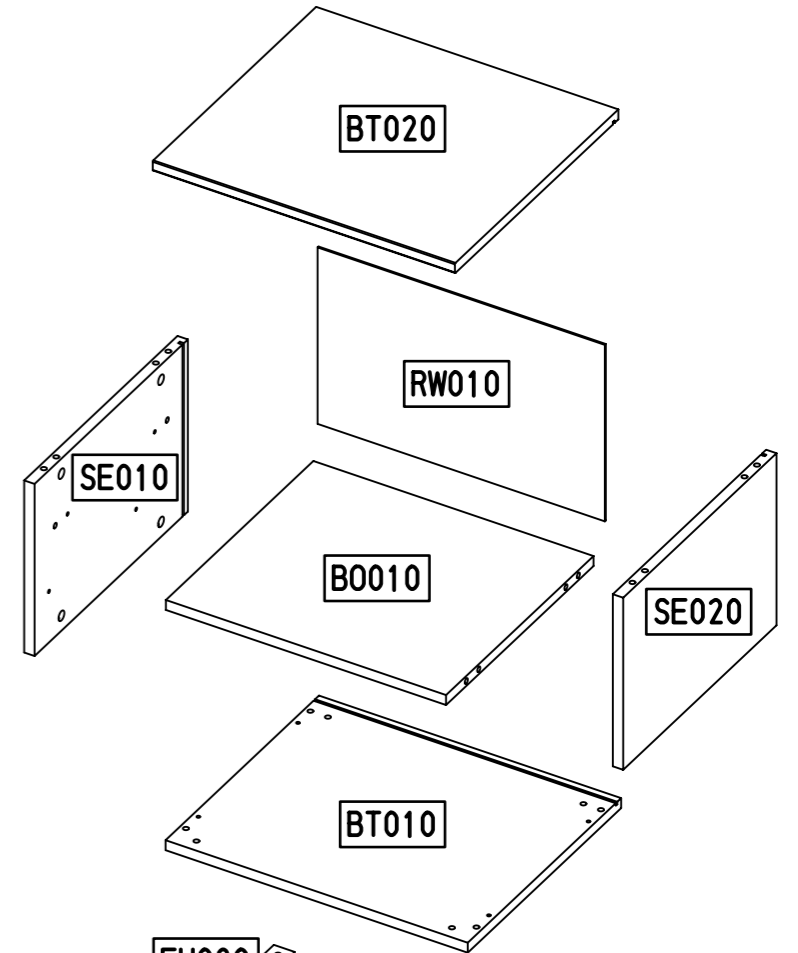
1.

M2429\_02

rauch



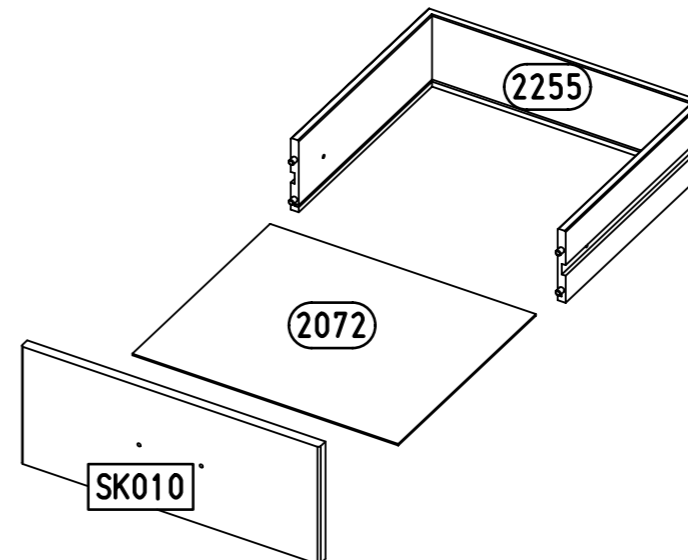
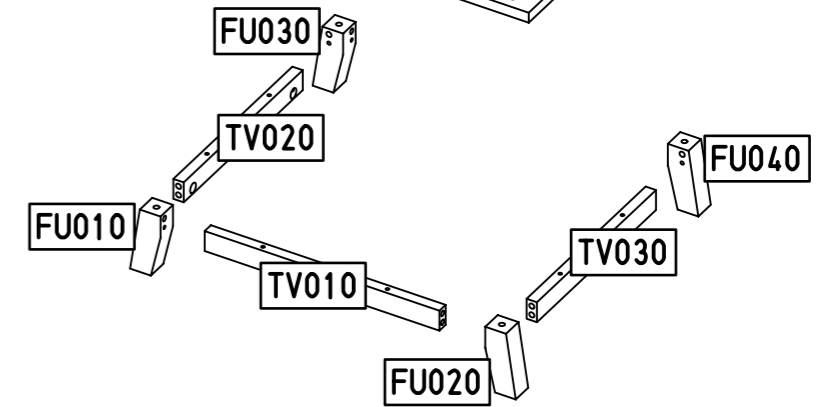
2.



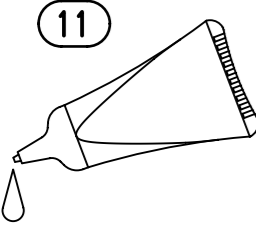
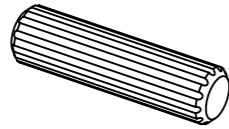
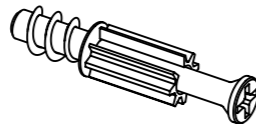
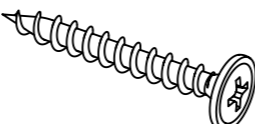
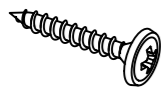

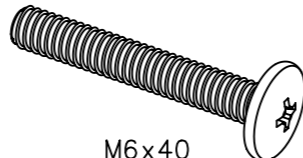
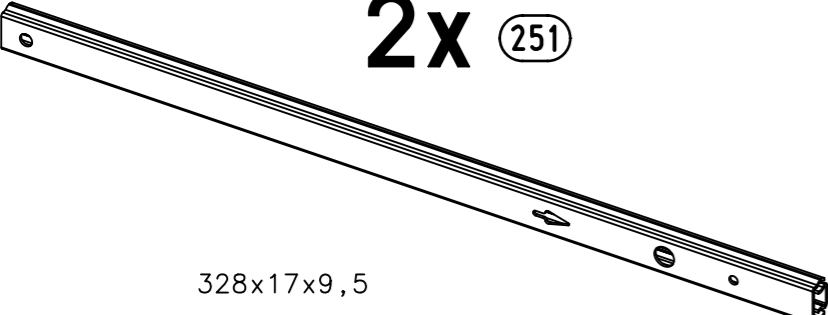


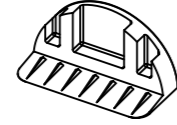
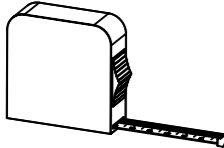
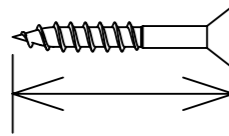
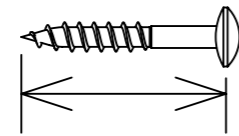
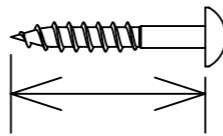
TV020 = TV030

FU010 = FU040

FU020 = FU030

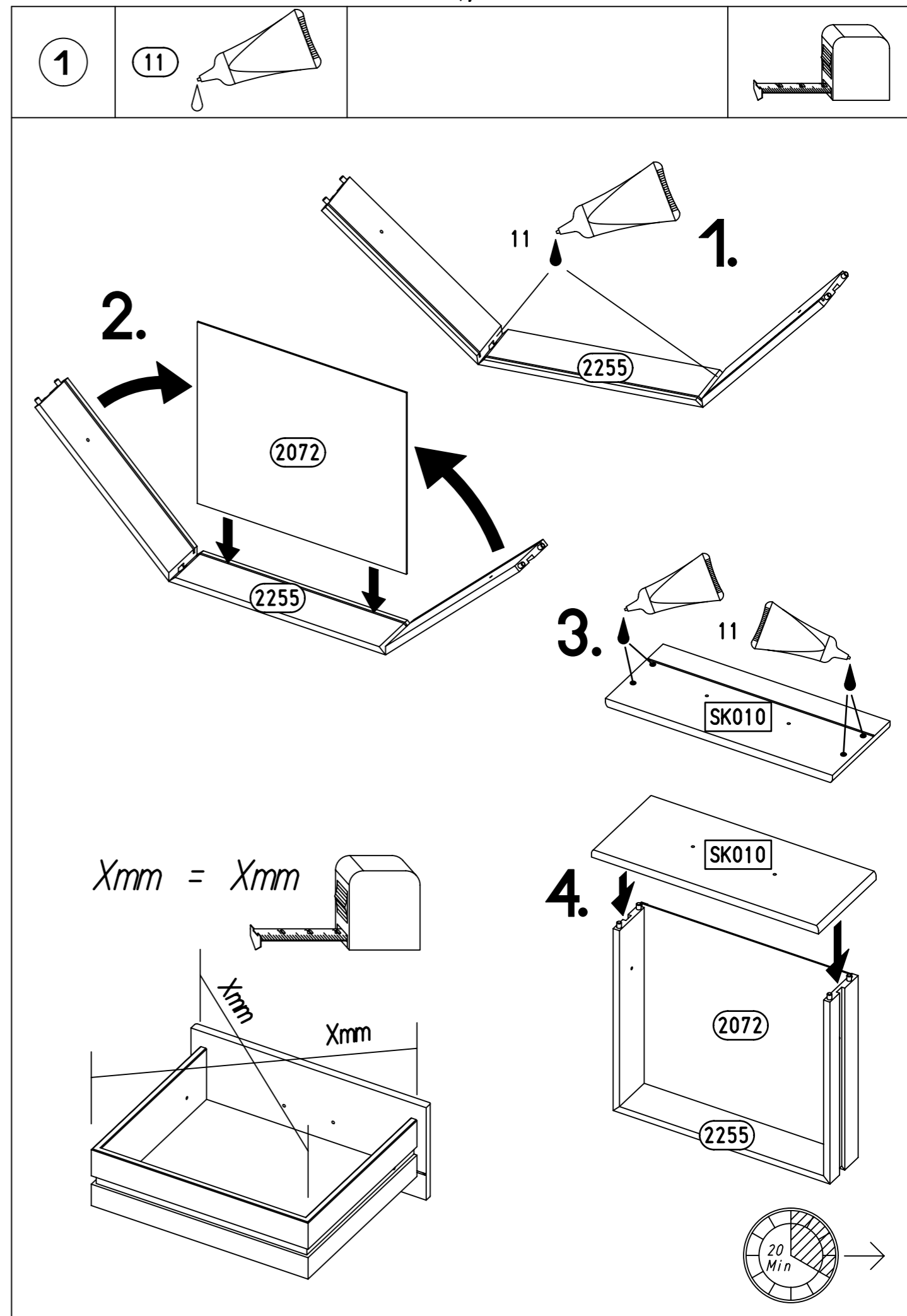


3.

 <p>11</p>	<p><b>18x</b> (18)</p>  <p>8x30</p>	<p><b>18x</b> (183)</p>  <p>23/10x7,5</p>	<p><b>6x</b> (214)</p>  <p>4,5x35</p>
<p><b>3x</b> (215)</p>  <p>3x20</p>	<p><b>4x</b> (227)</p>  <p>6x10,5</p>	<p><b>4x</b> (245)</p>  <p>M6x40</p>	
<p><b>2x</b> (251)</p>  <p>328x17x9,5</p>		<p><b>18x</b> (349)</p> 	
<p><b>2x</b> (568)</p>  <p>M4x9</p>	<p><b>2x</b> (1090)</p> 		
   			

M2429

4.

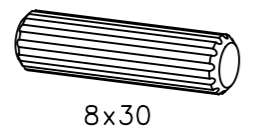


M2429

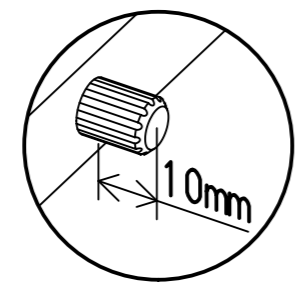
5.

2

6x 18

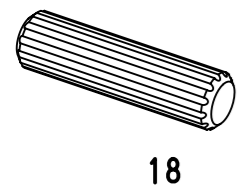
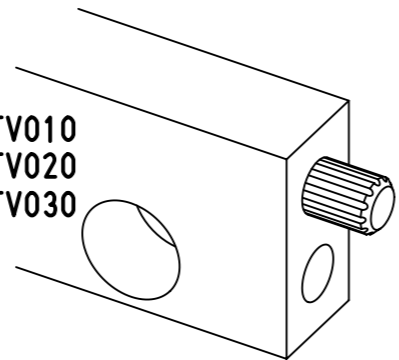


8x30

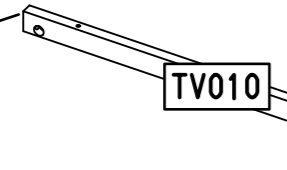


10mm

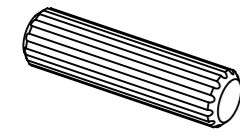
TV010  
TV020  
TV030



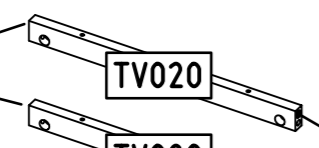
18



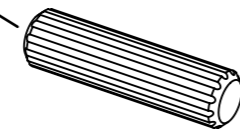
TV010



TV020



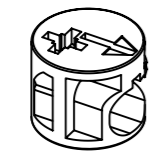
TV030



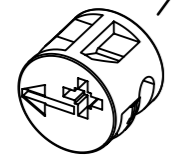
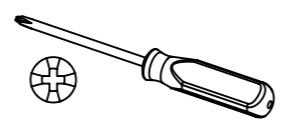
18

3

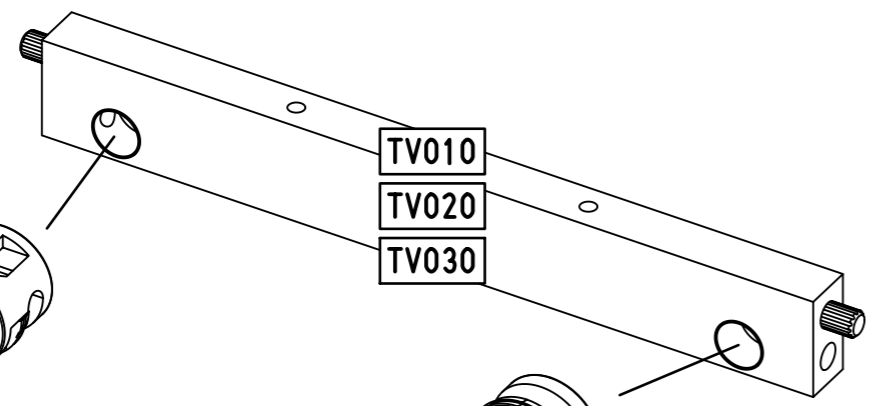
6x 349



349



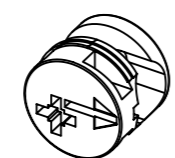
349



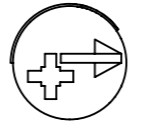
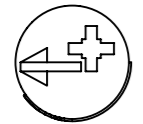
TV010

TV020

TV030



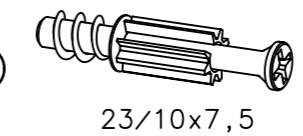
349



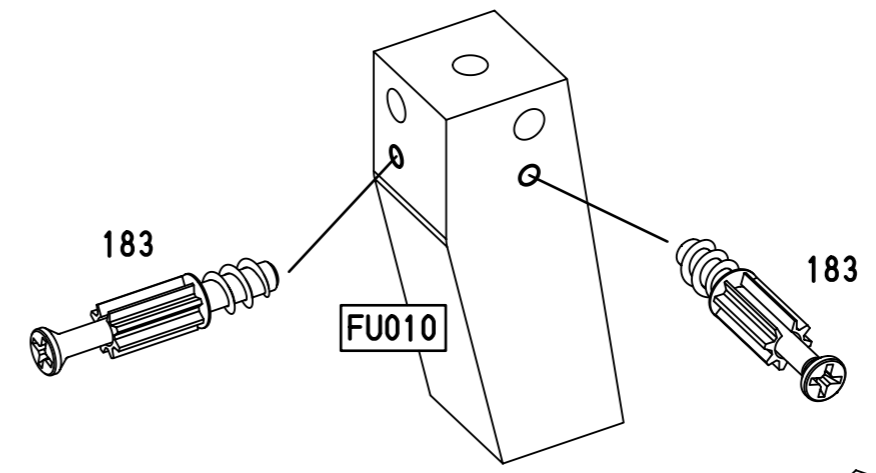
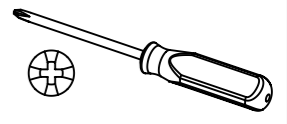
6.

4

6x 183



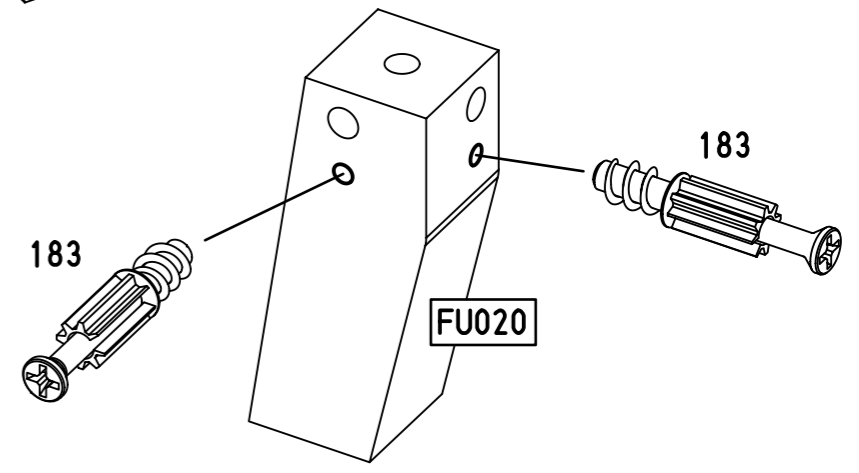
23/10x7,5



183

FU010

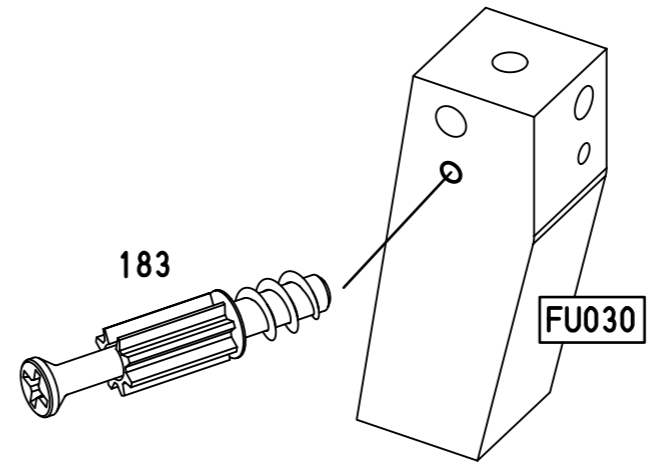
183



183

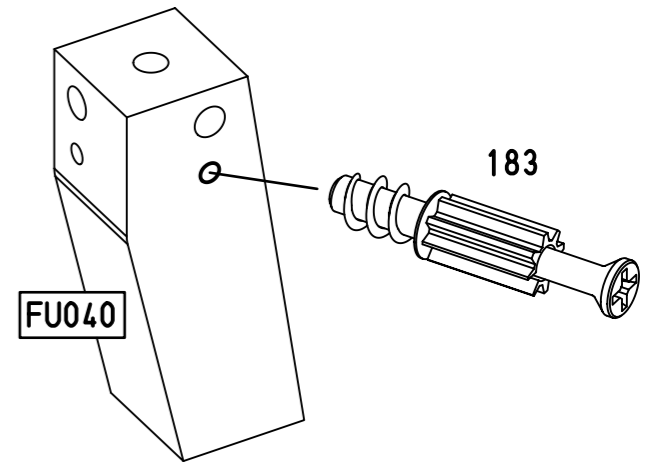
FU020

183



183

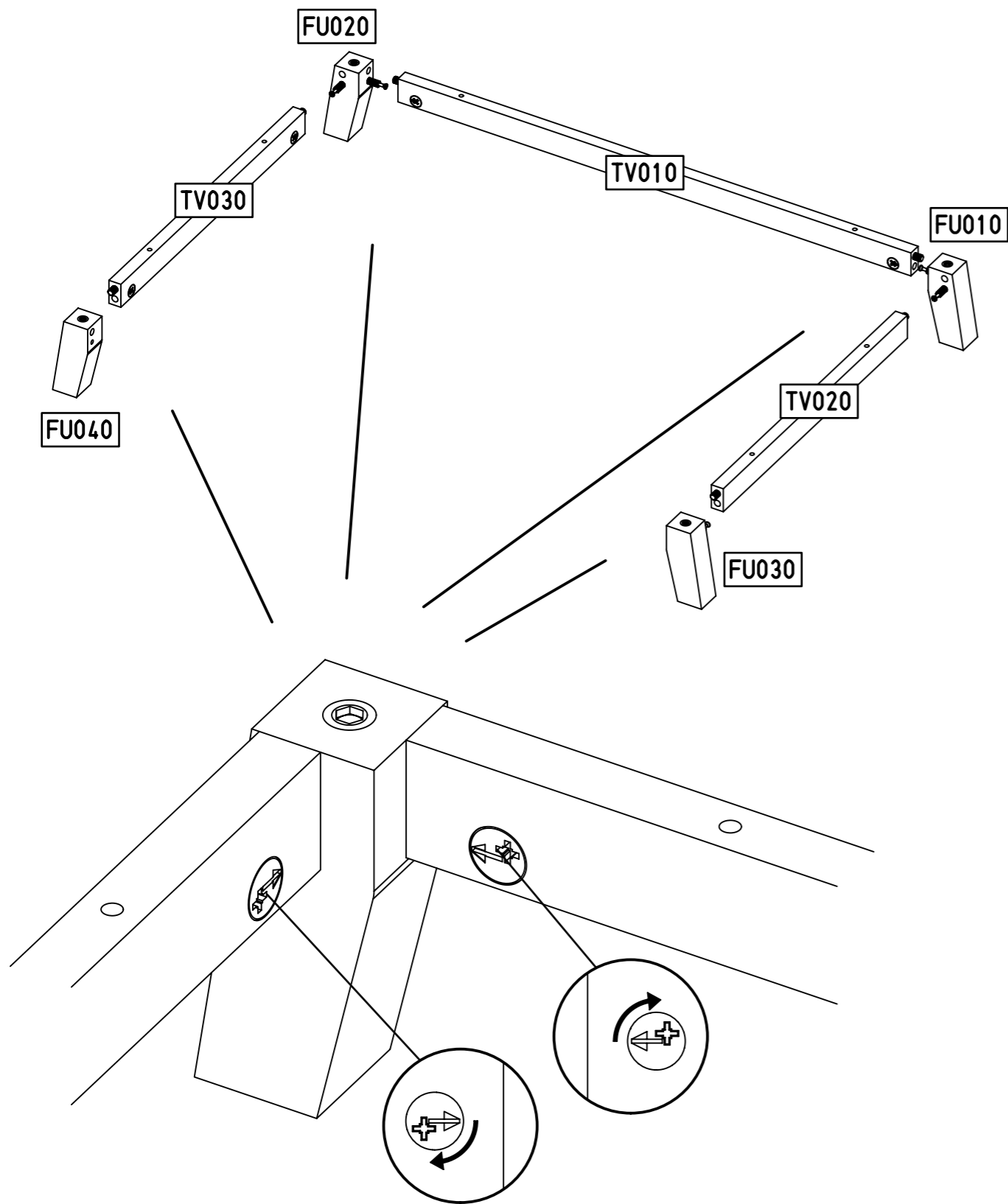
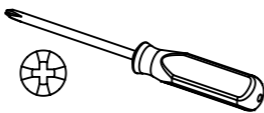
FU030



FU040

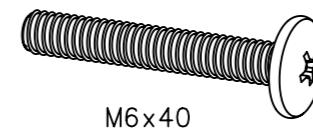
183

5

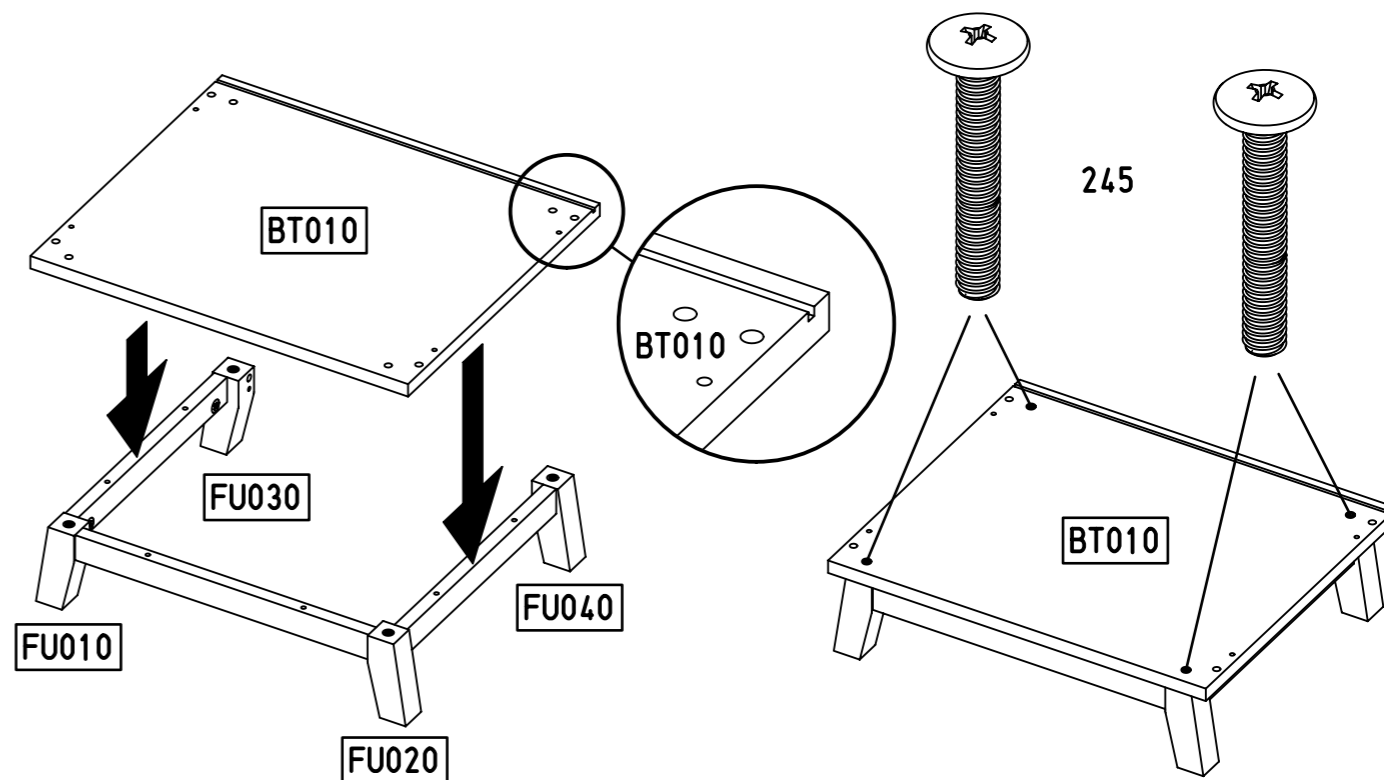
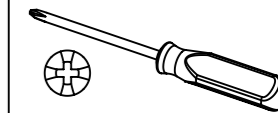


6

4x 245

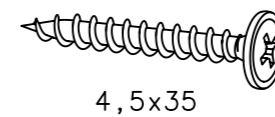


M6x40

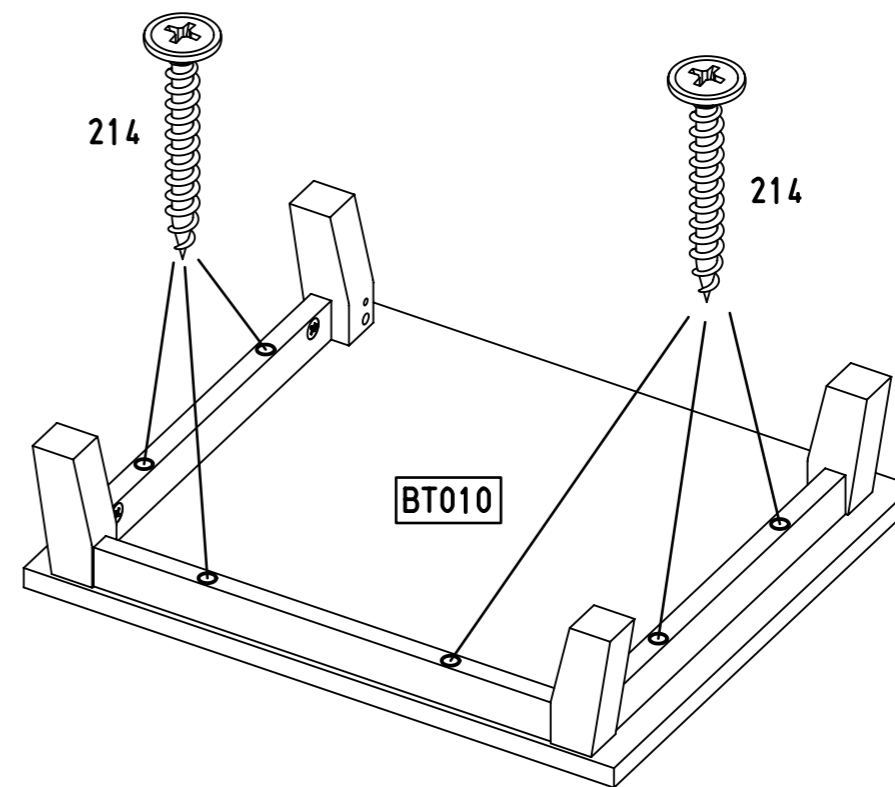
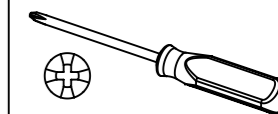


7

6x 214

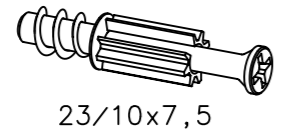


4,5x35

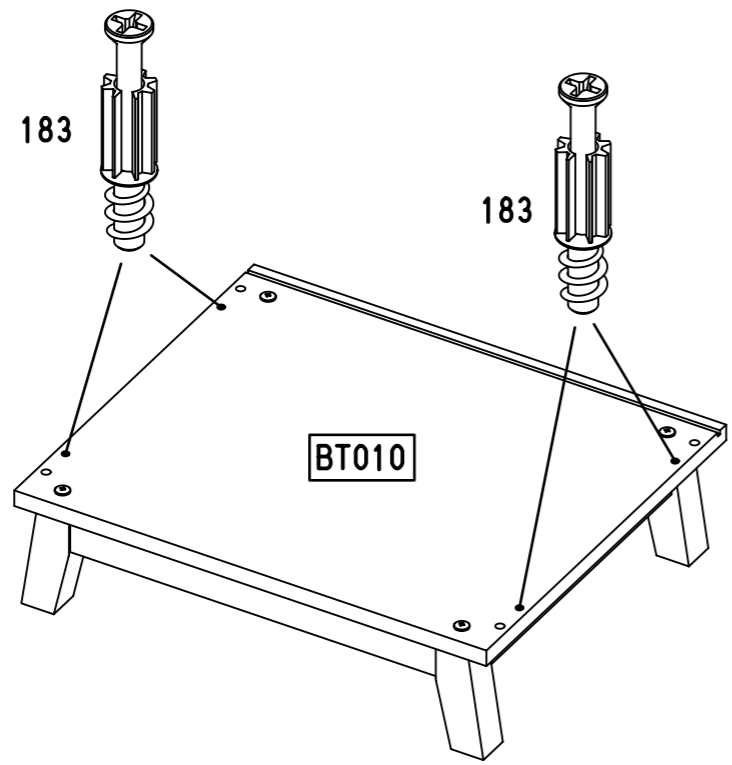
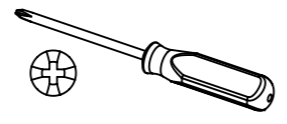


8

4x 183



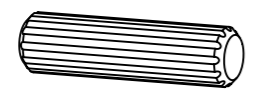
23/10x7,5



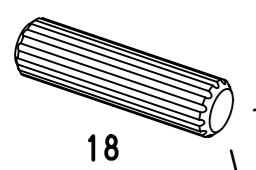
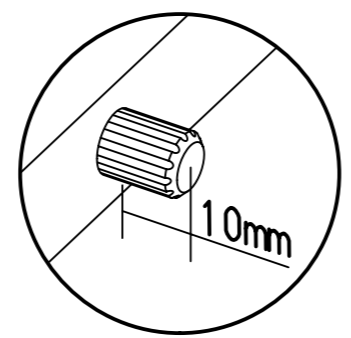
BT010

9

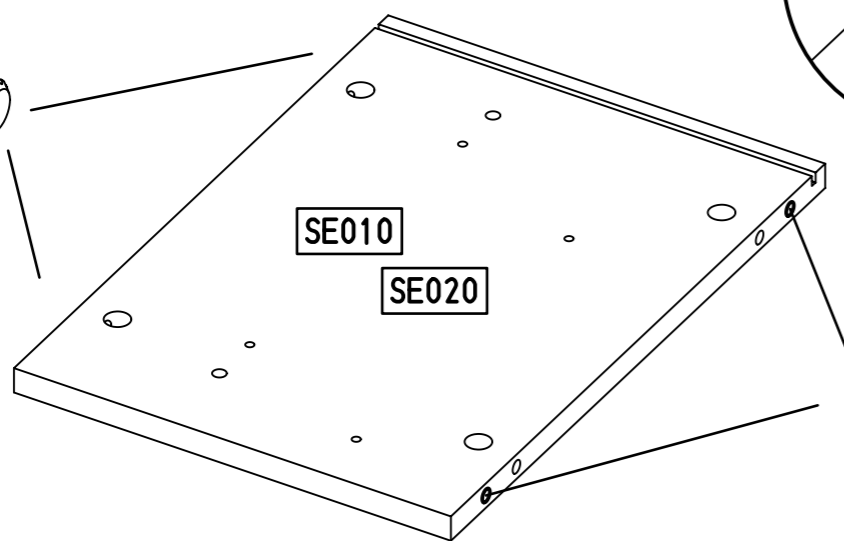
8x 18



8x30

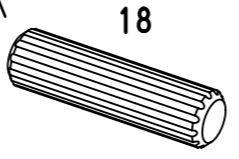


18



SE010

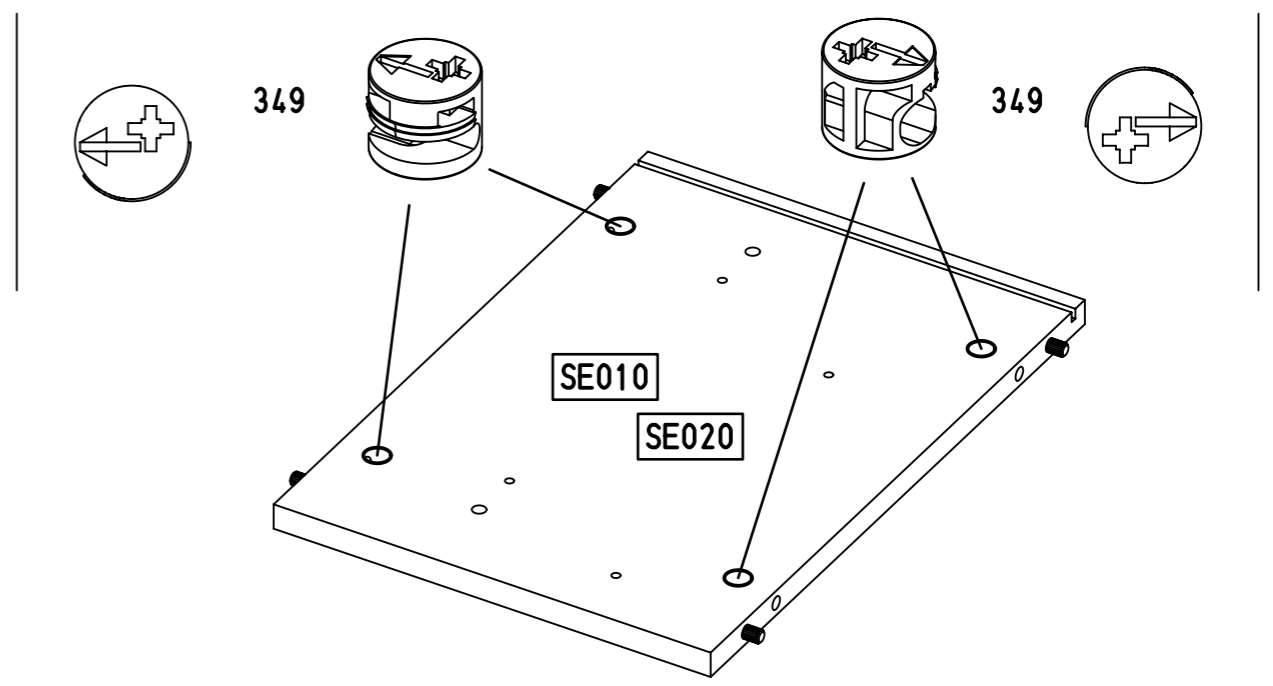
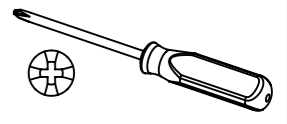
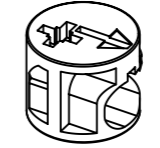
SE020



18

10

8x 349

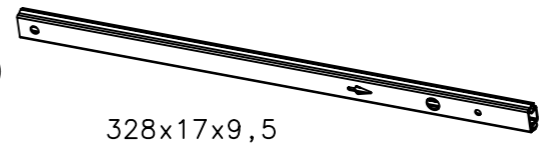


SE010

SE020

11

1x 251

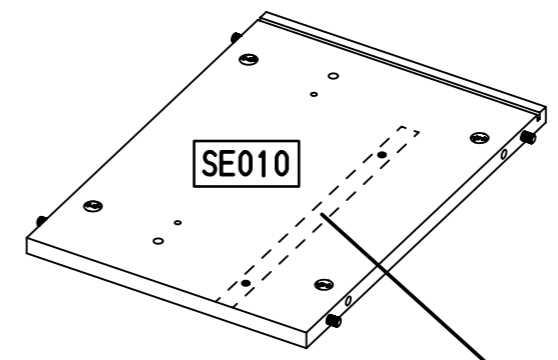
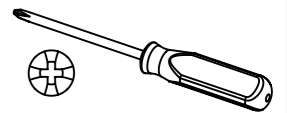


328x17x9,5

2x 227

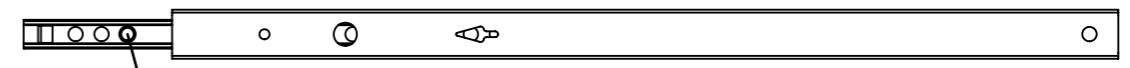


6x10,5



SE010

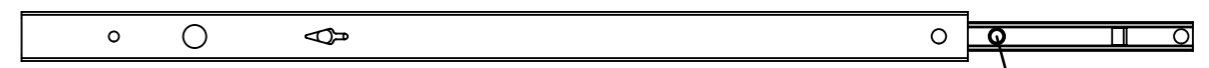
251



1.



227



227

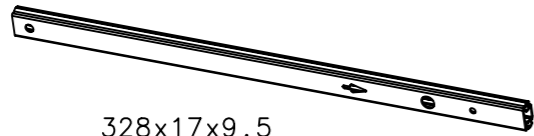


2.

12

1x

251



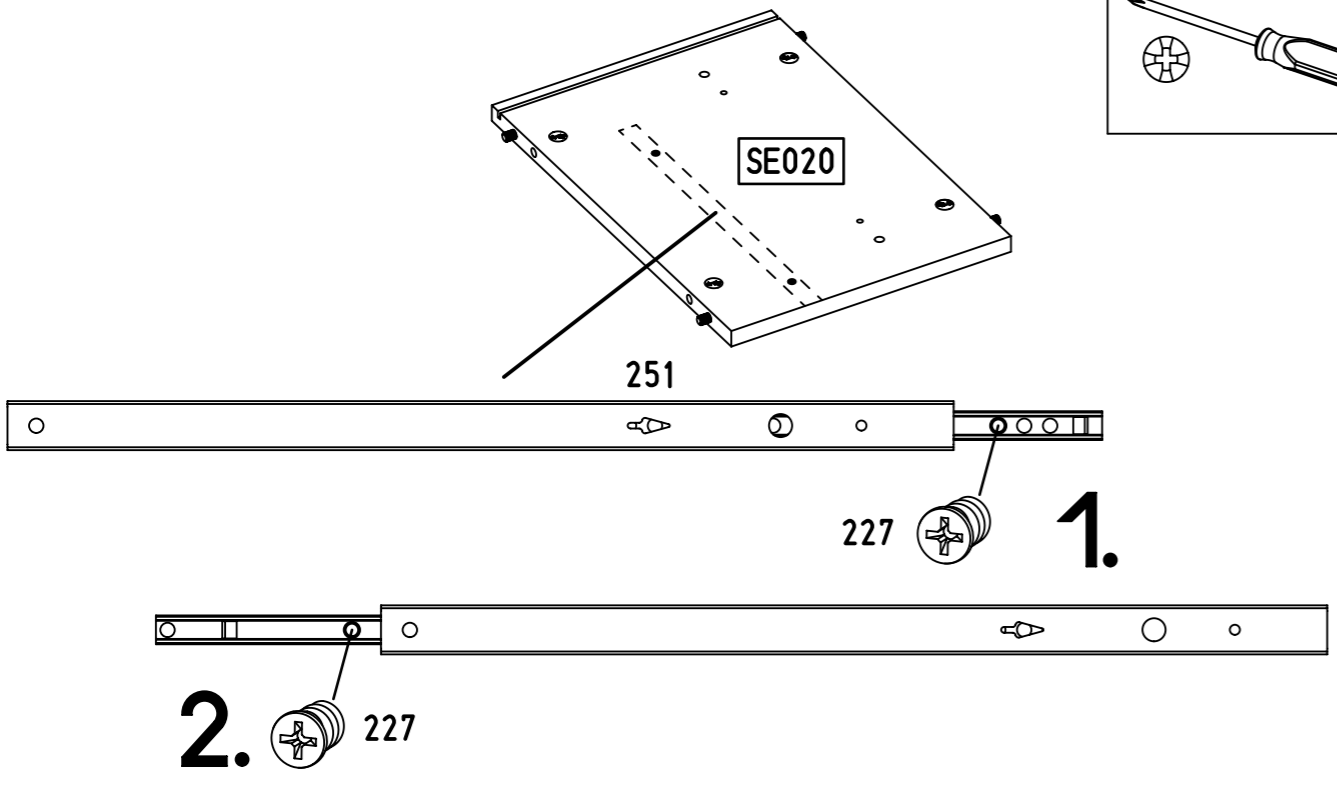
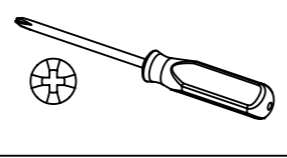
328x17x9,5

2x

227



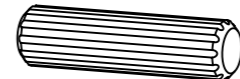
6x10,5



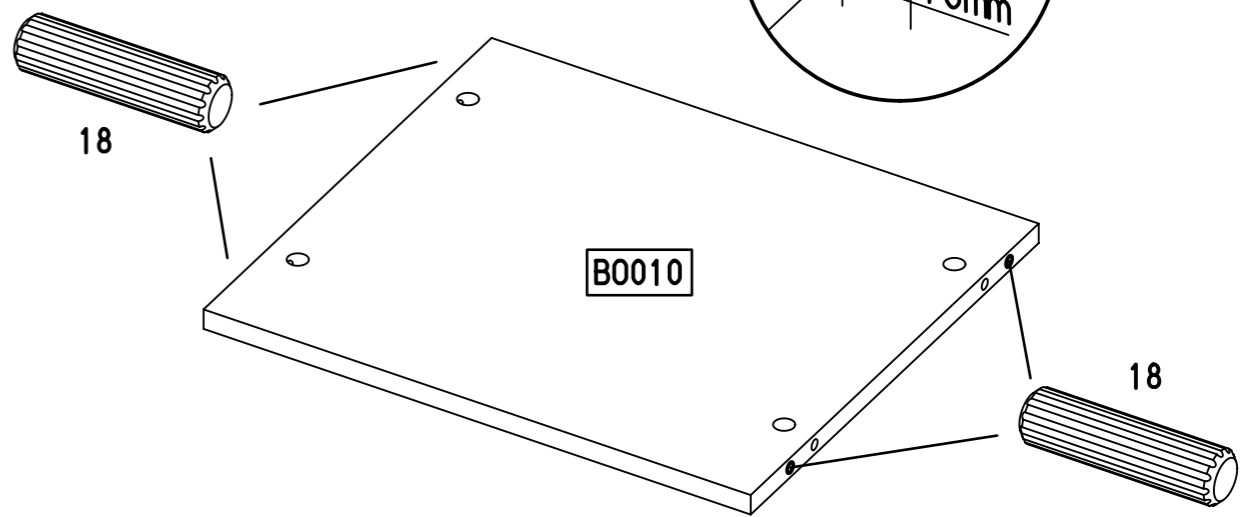
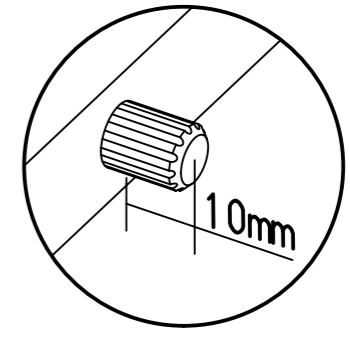
14

4x

18



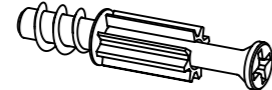
8x30



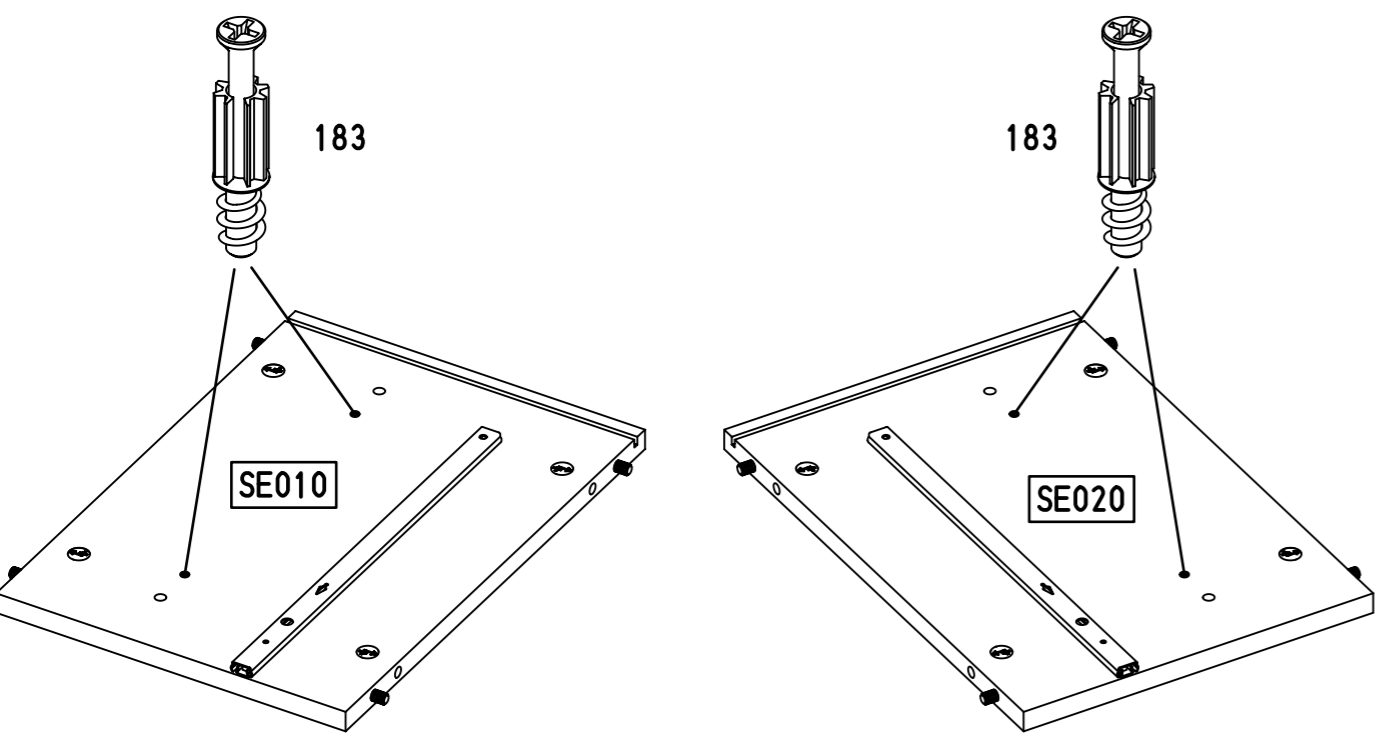
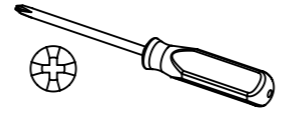
13

4x

183



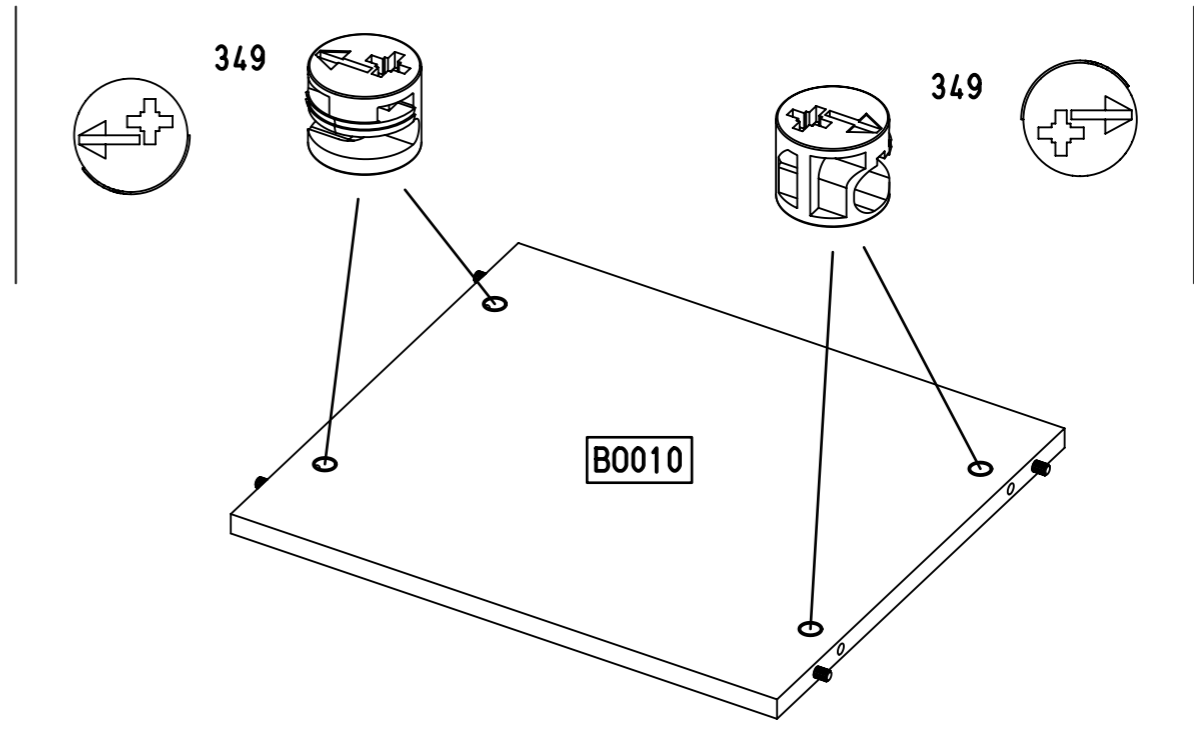
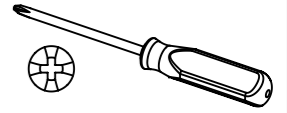
23/10x7,5



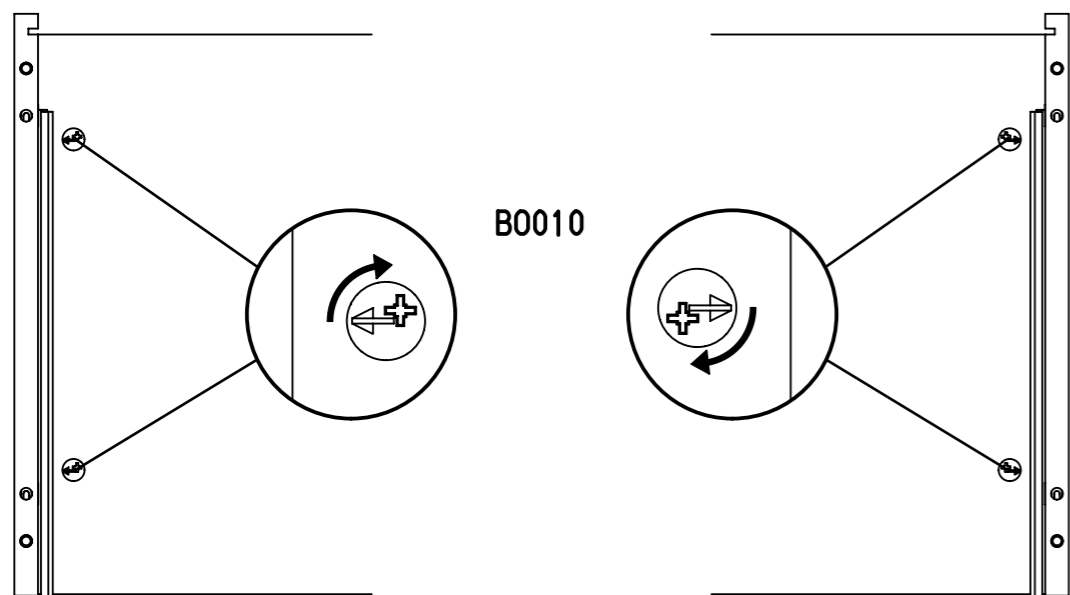
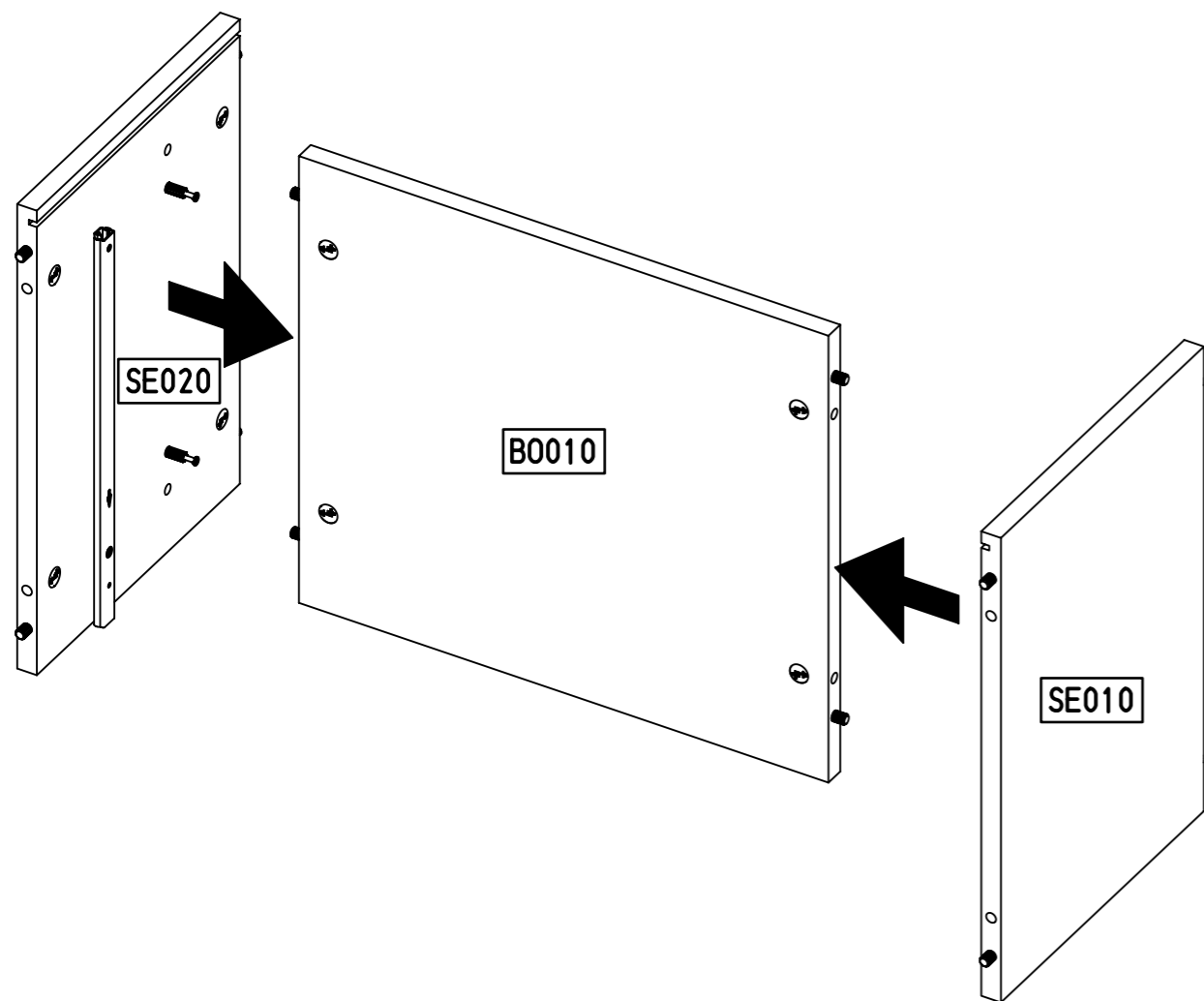
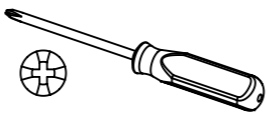
15

4x

349

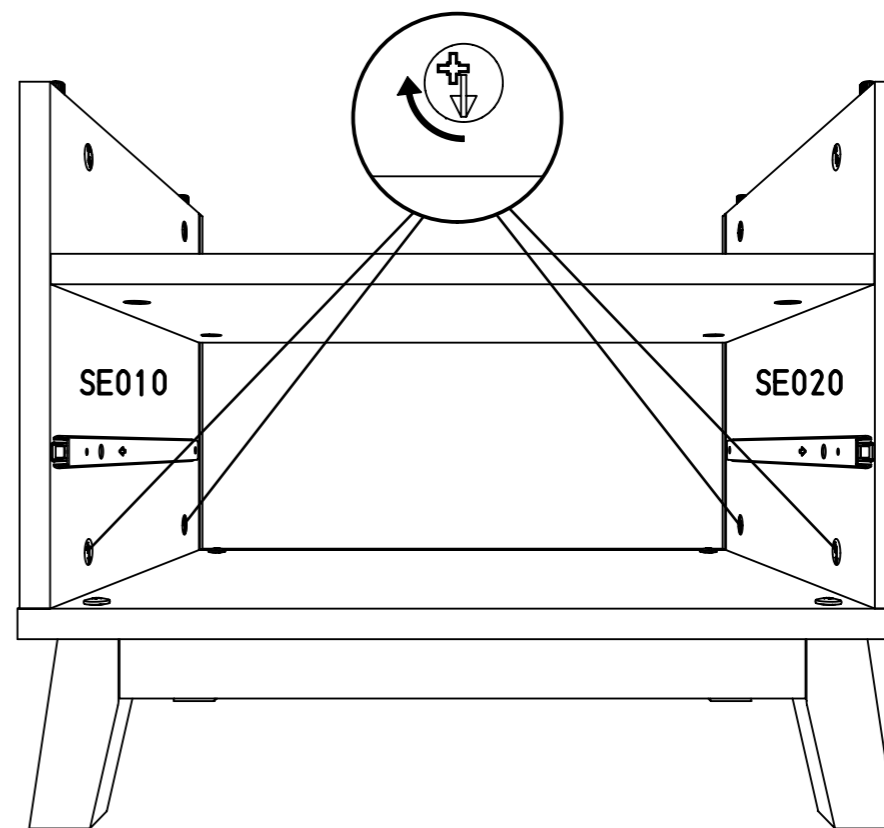
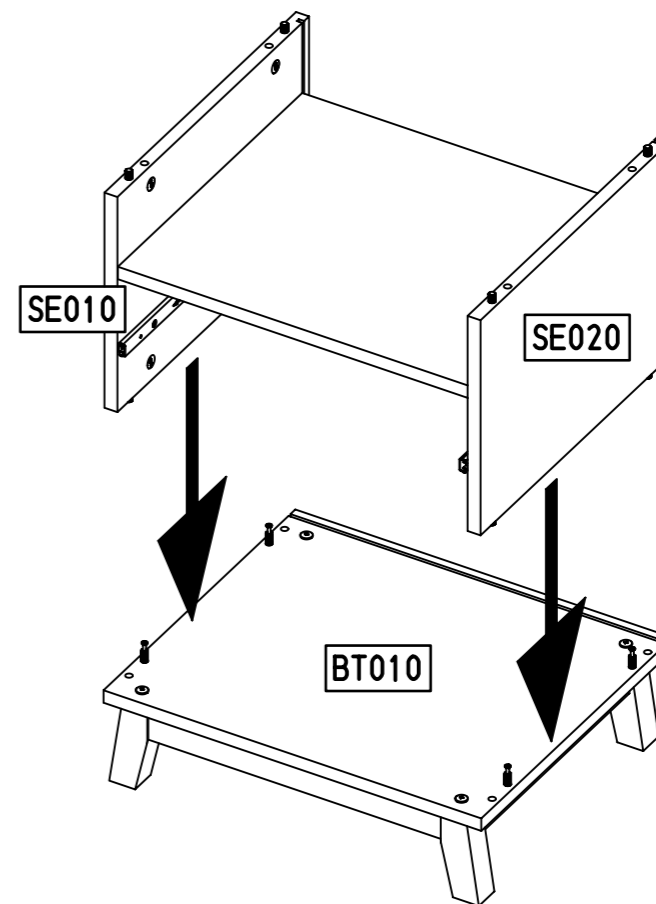
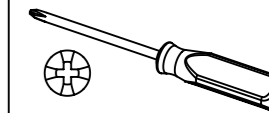


16



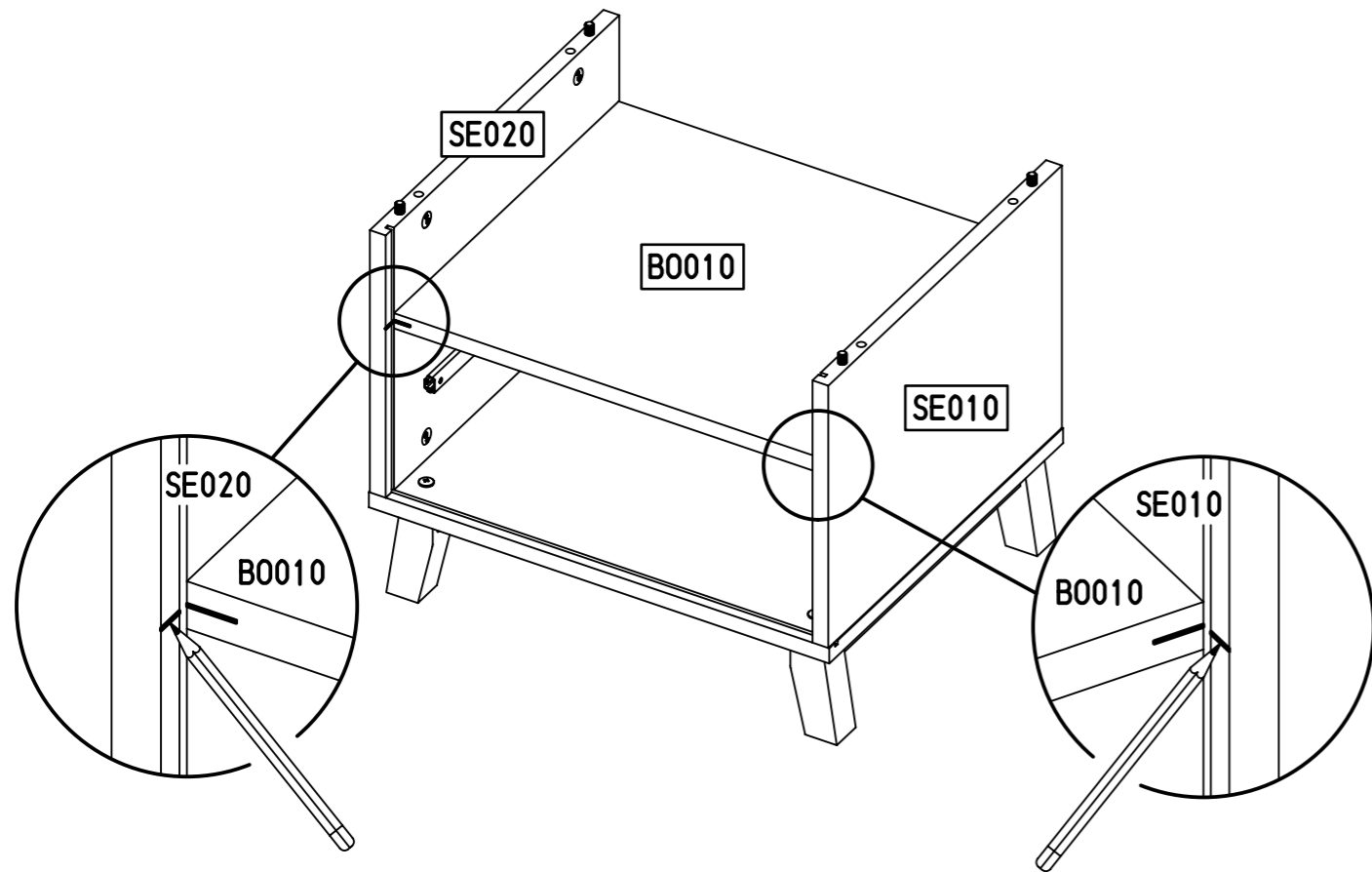
B0010

17

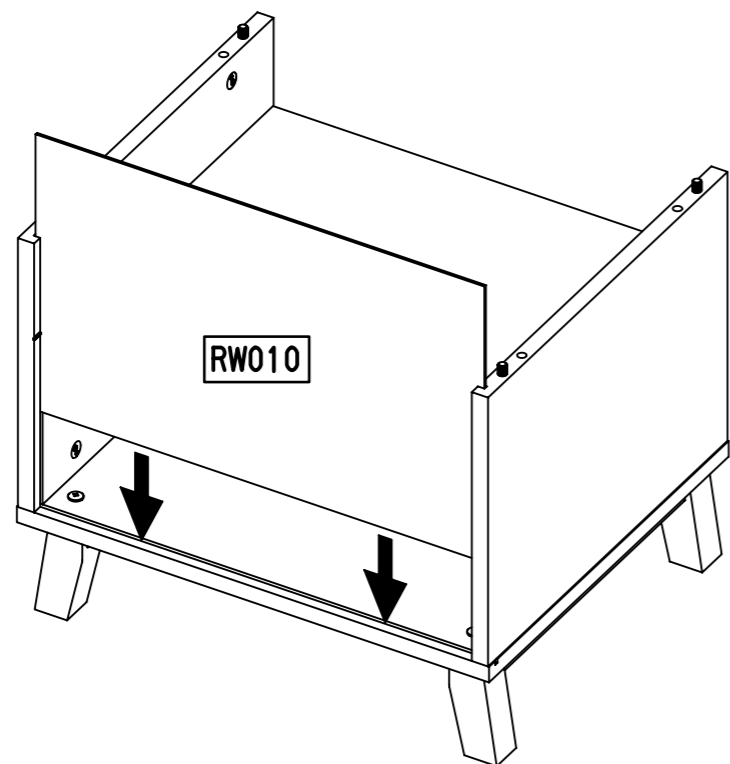


15.

18



19

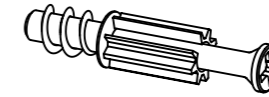


M2429

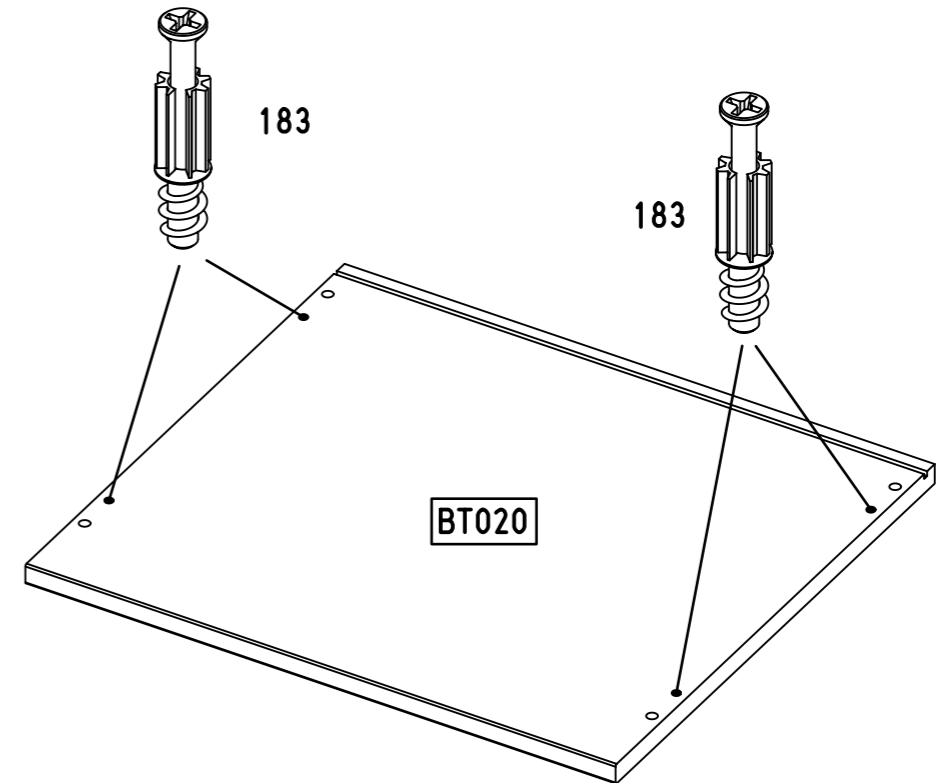
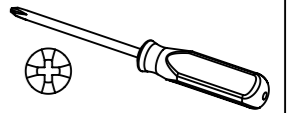
16.

20

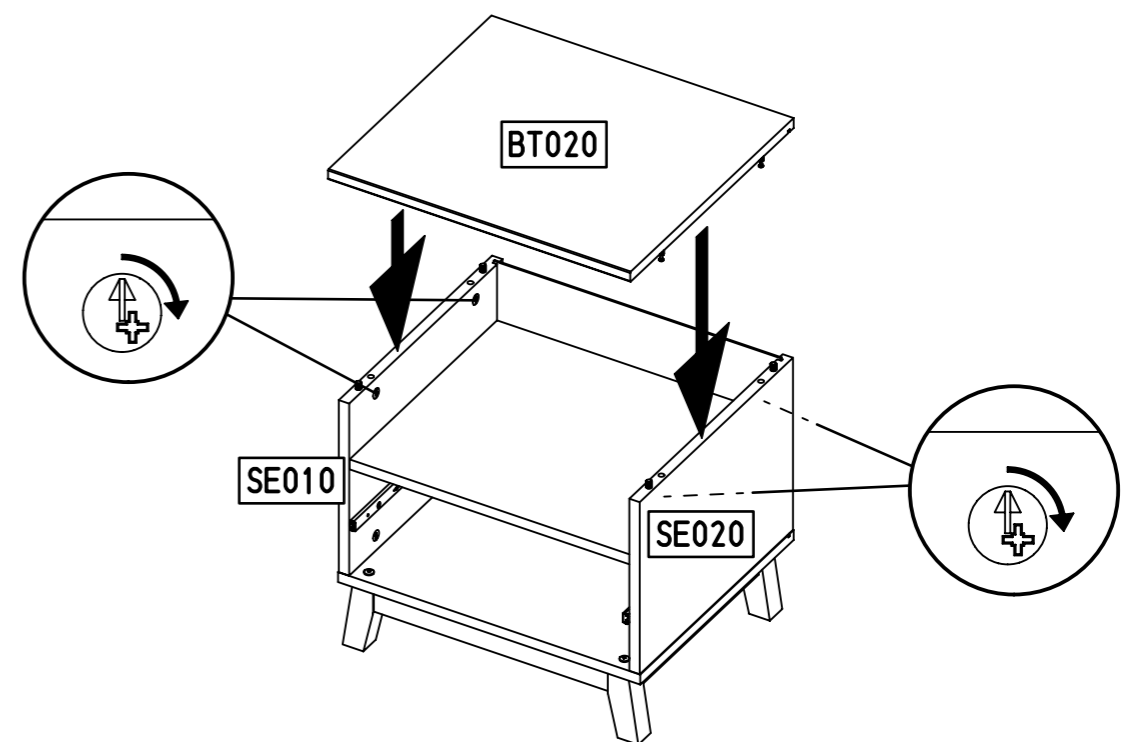
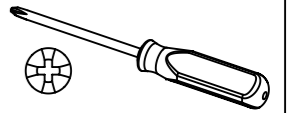
4x 183



23/10x7,5



21

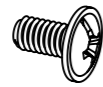


M2429

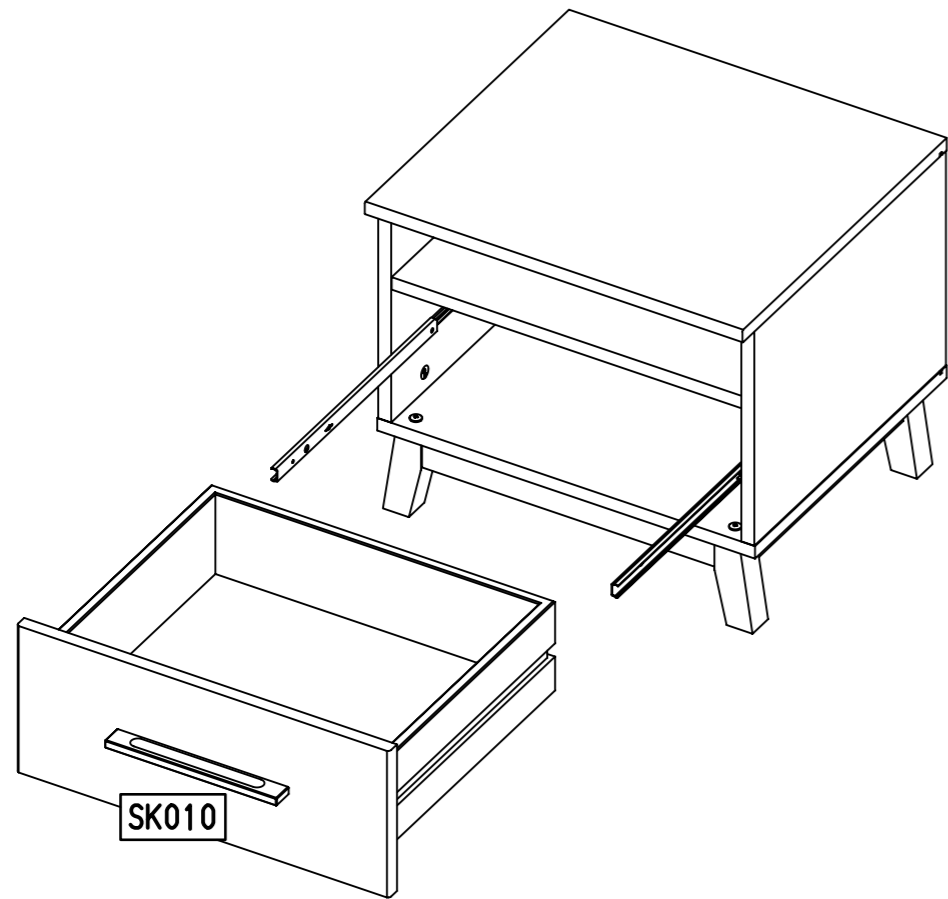
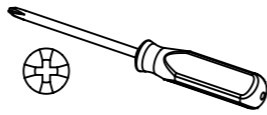


22

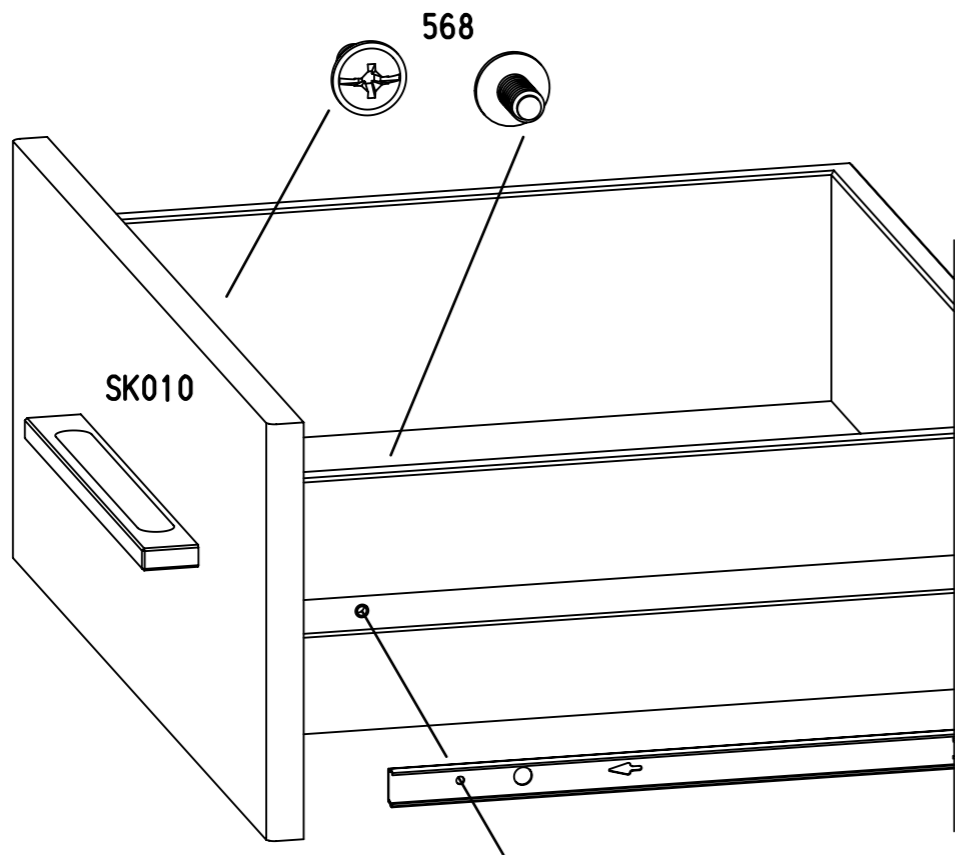
2x 568



M4x9



SK010

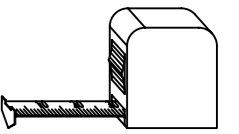
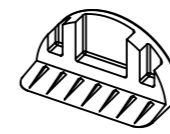


568

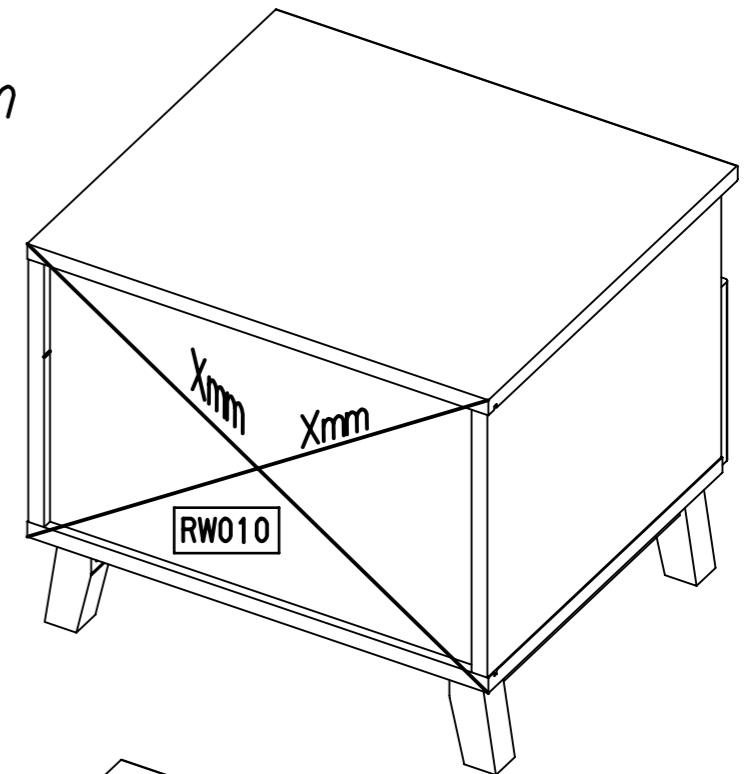
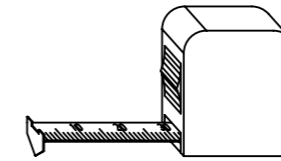
SK010

23

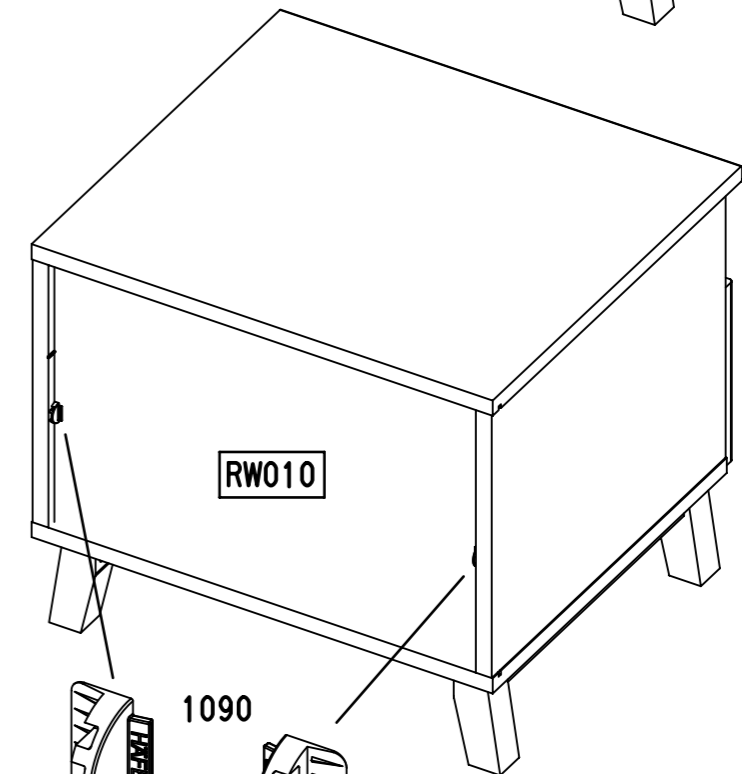
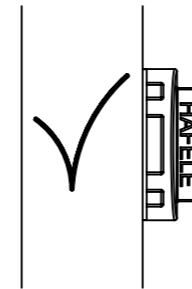
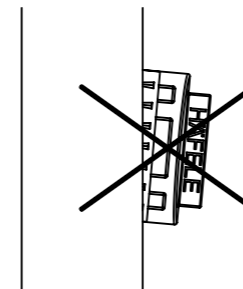
2x 1090



Xmm = Xmm

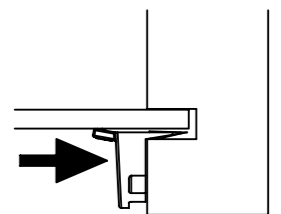
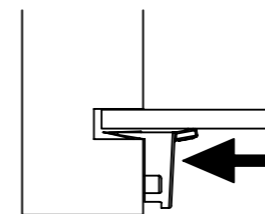


RW010



RW010

1090



24

3x

215



3x20

