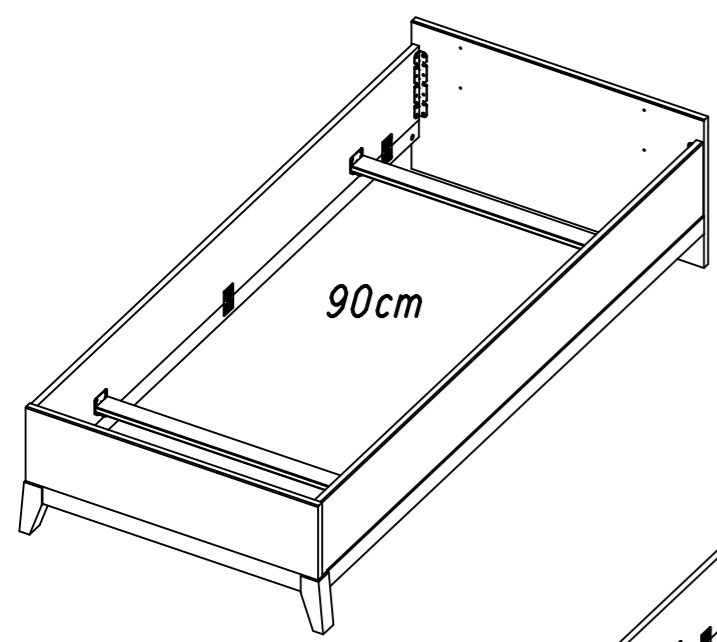
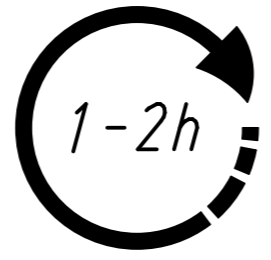
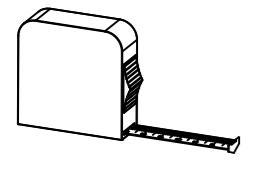
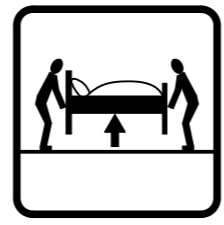
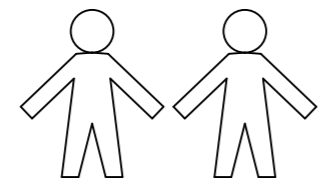
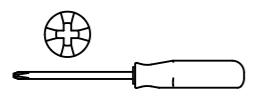


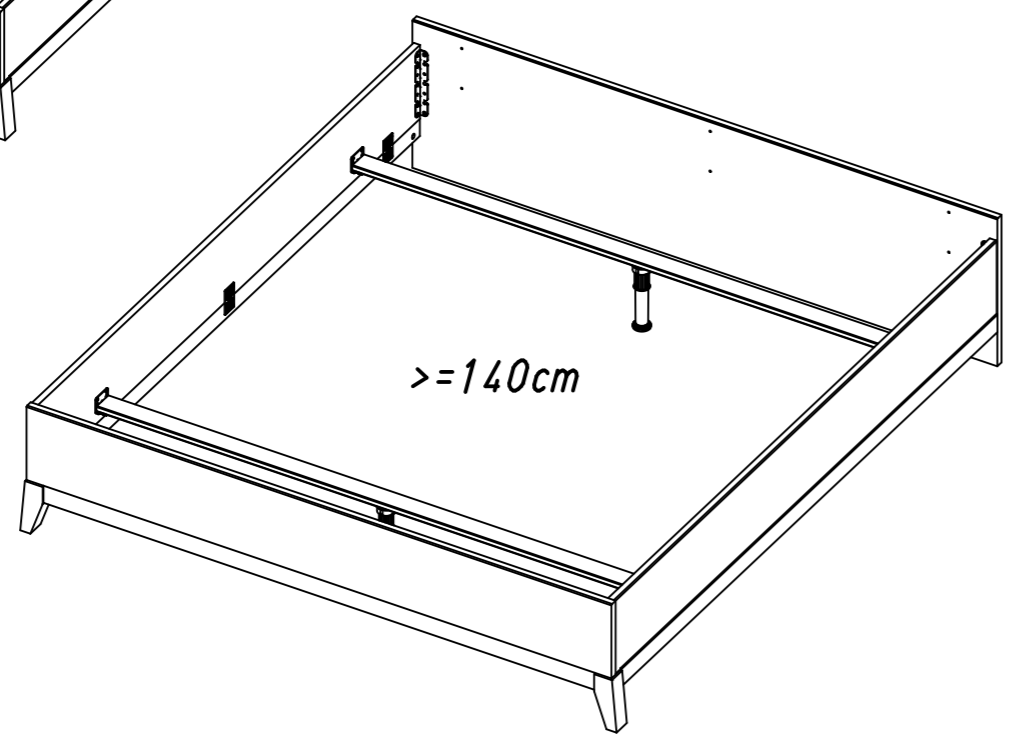
1.

M2428_03

rauch

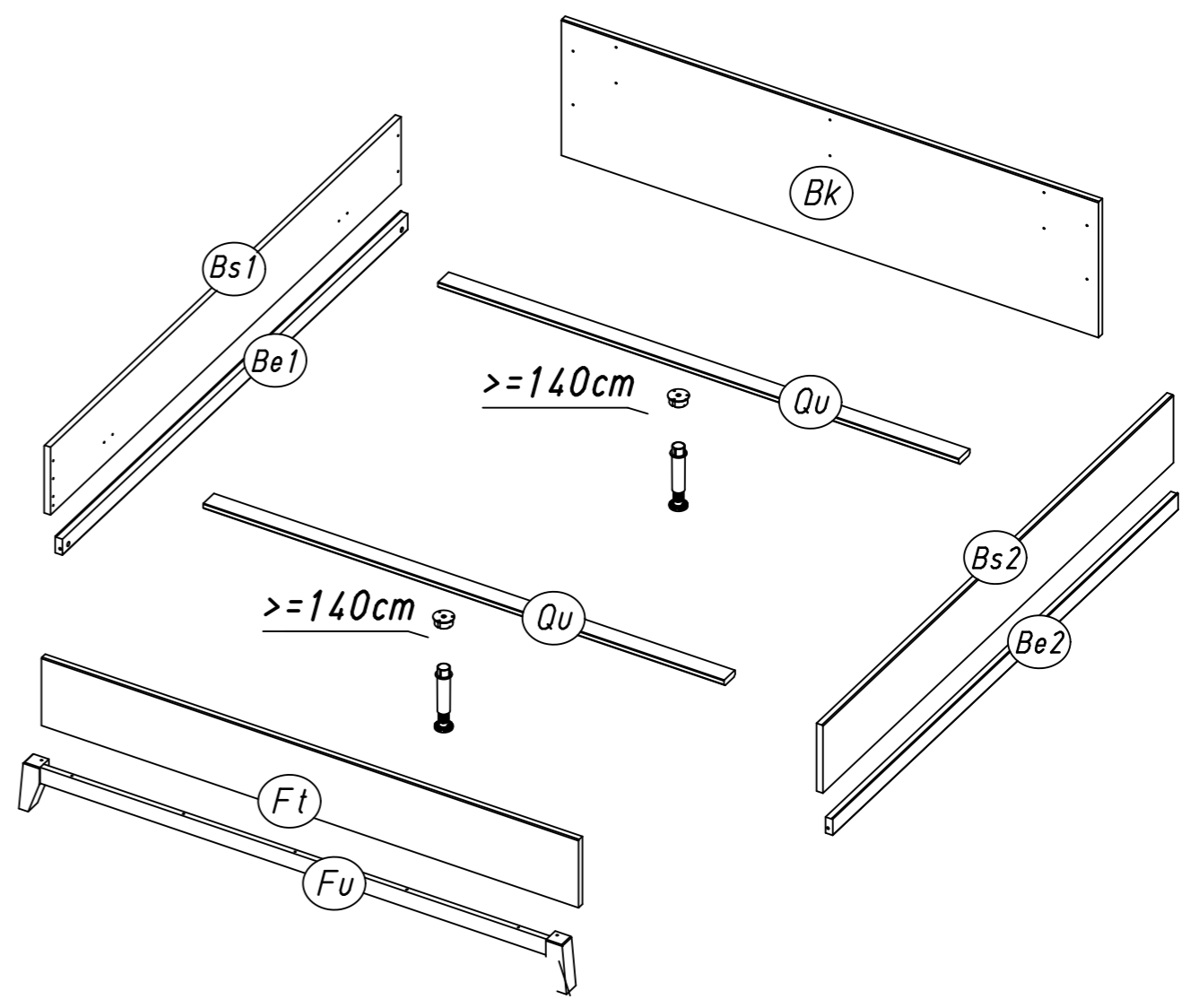


90cm



>=140cm

2.



Bk

Bs1

Be1

>=140cm

Qu

>=140cm

Qu

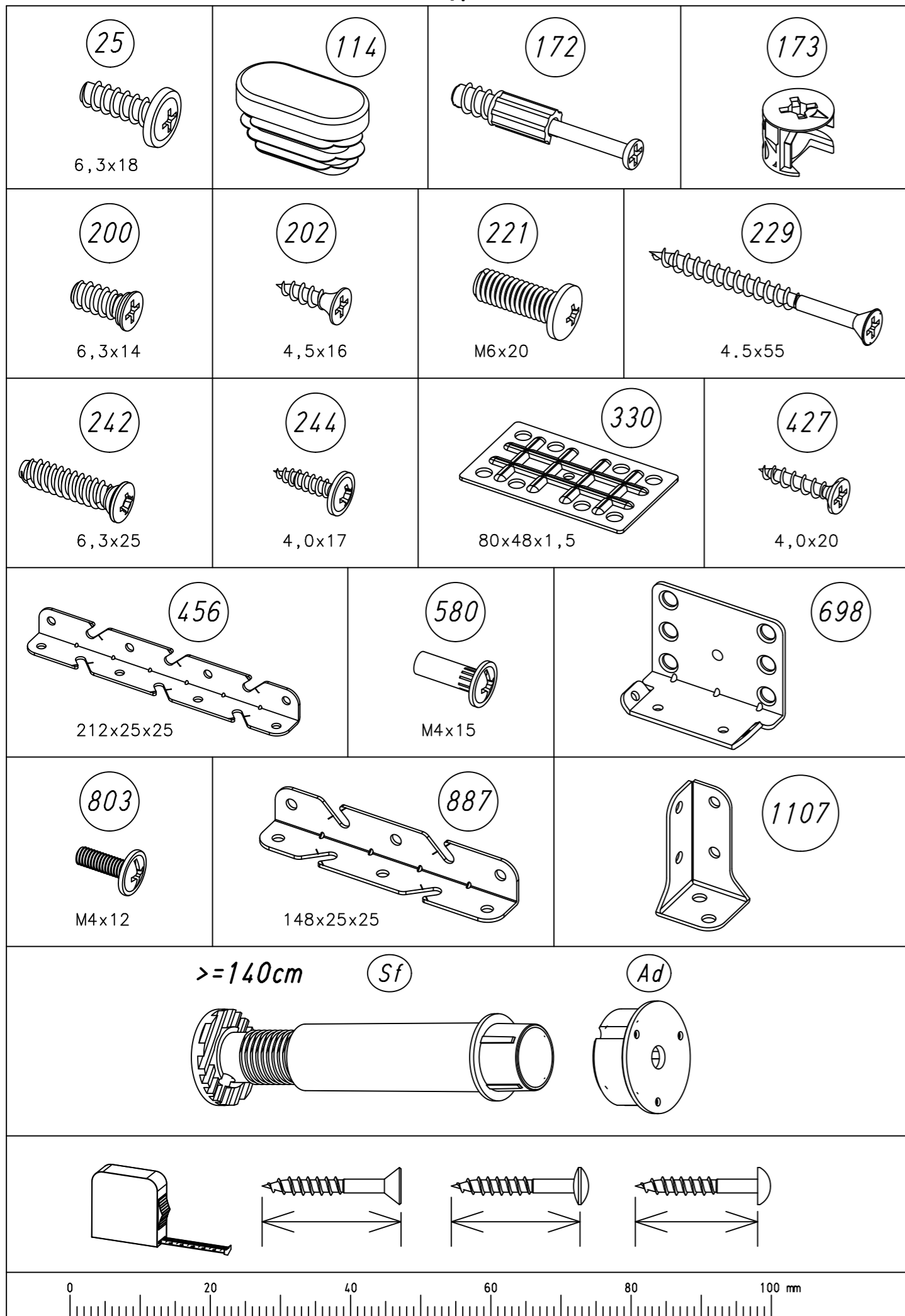
Bs2

Be2

Ft

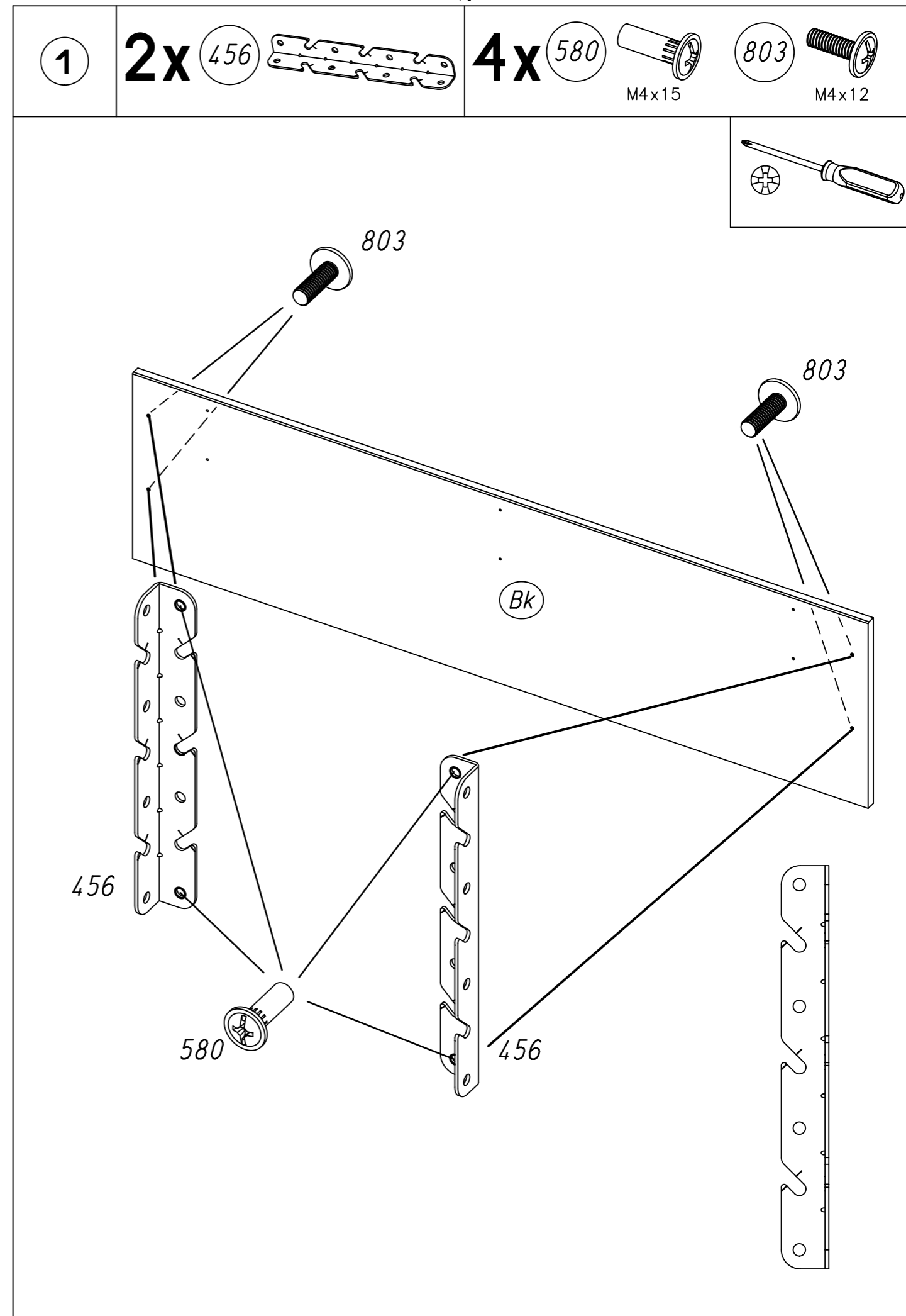
Fu

3.



M2428

4.

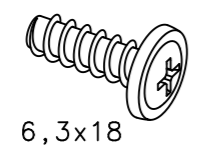


M2428

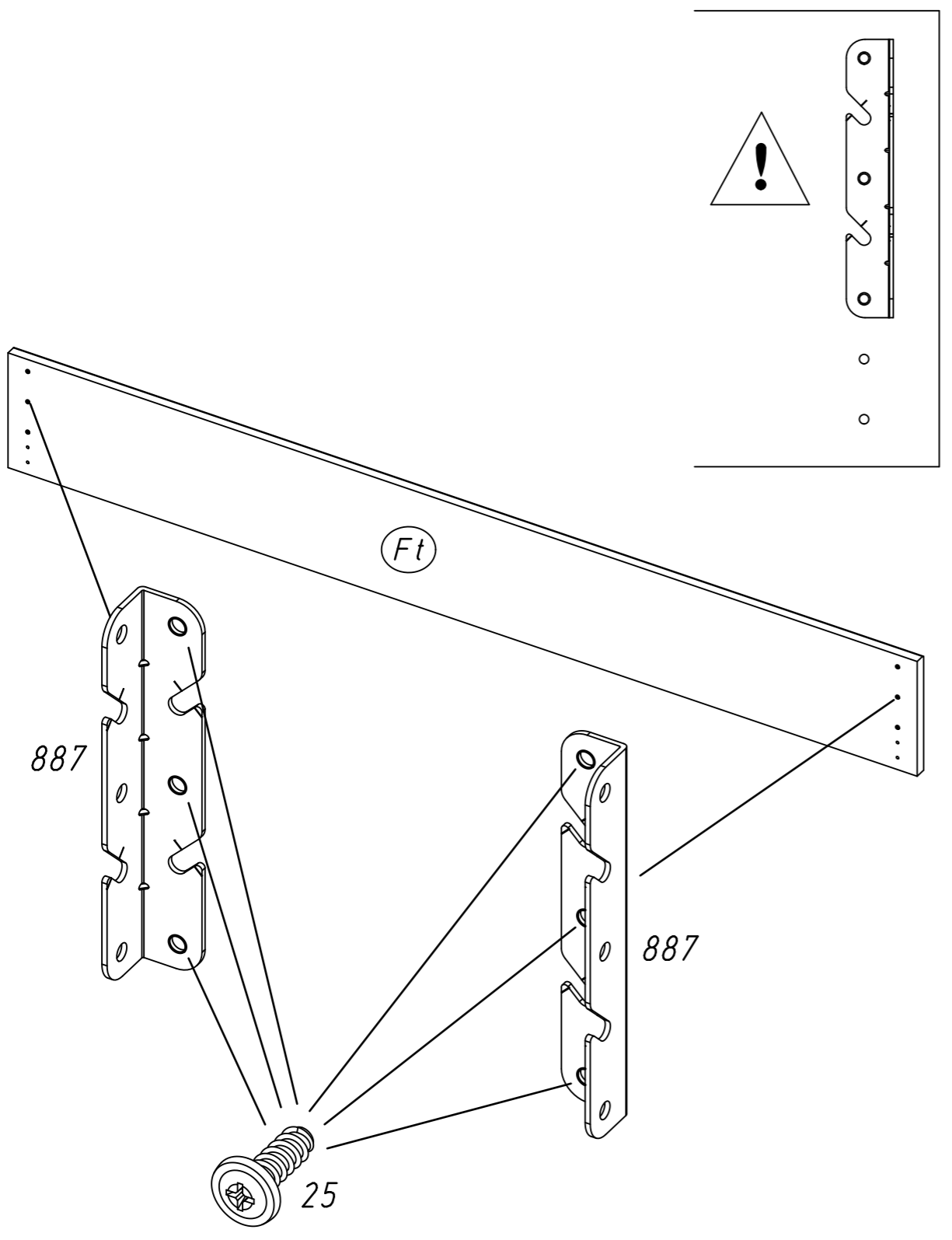
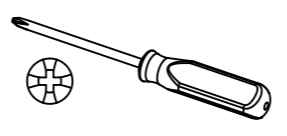
5.

2

6x 25



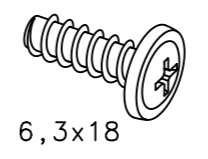
6,3x18



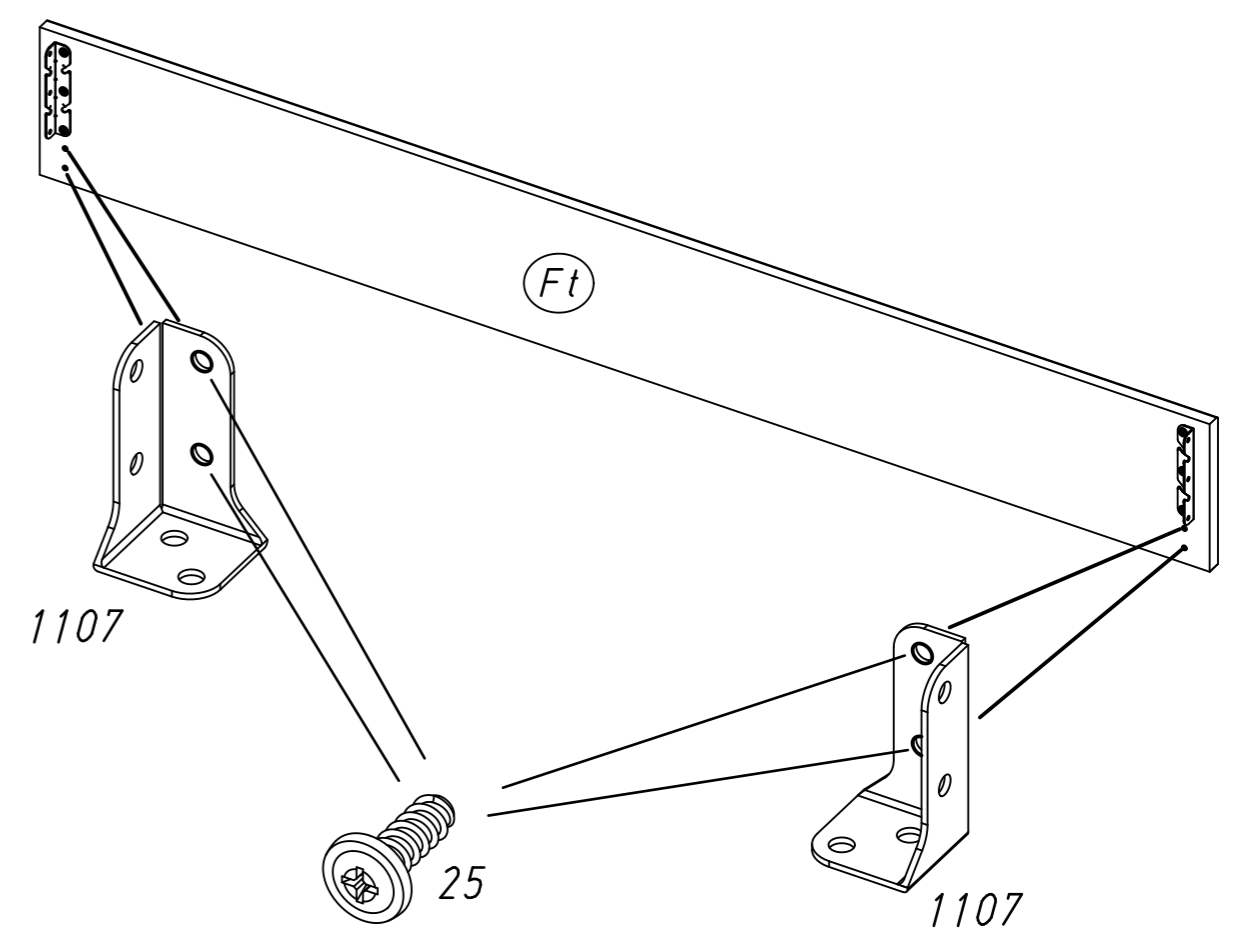
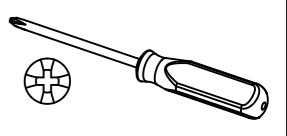
6.

3

4x 25



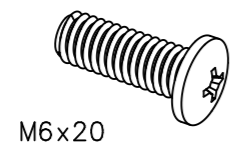
6,3x18



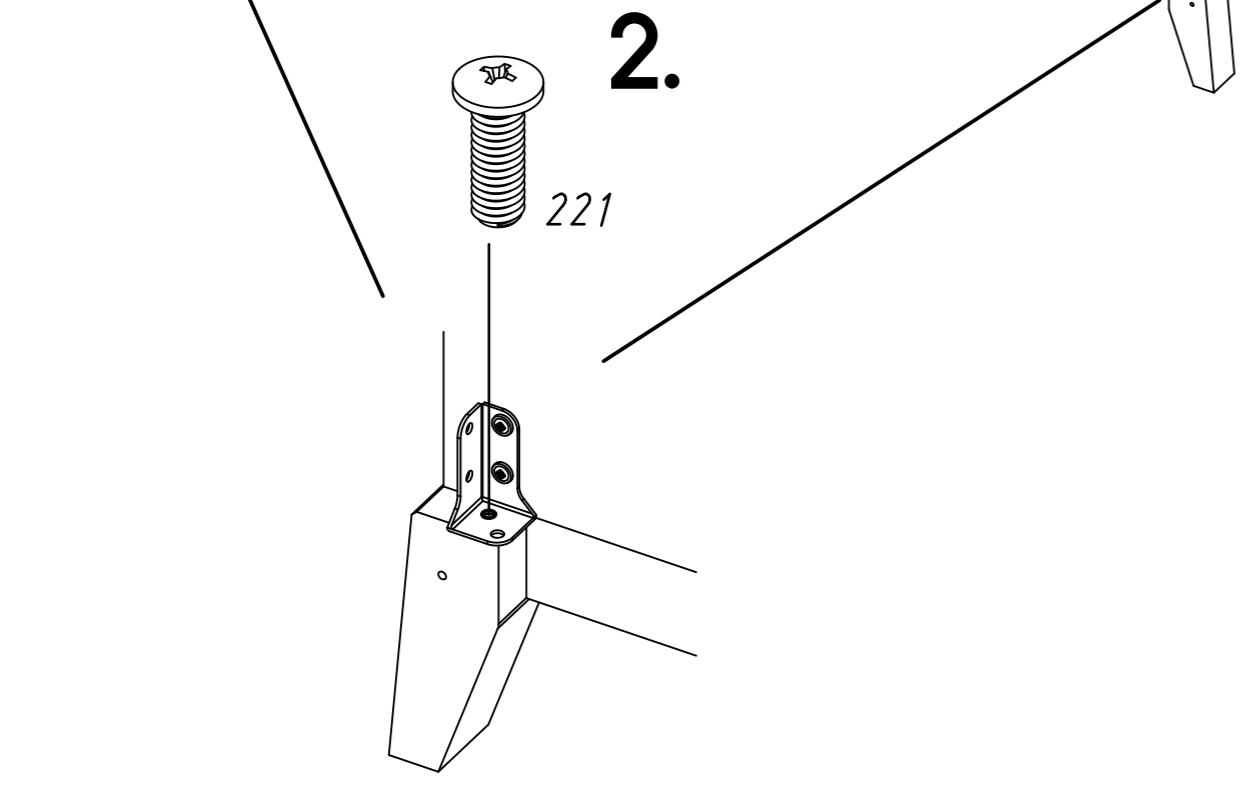
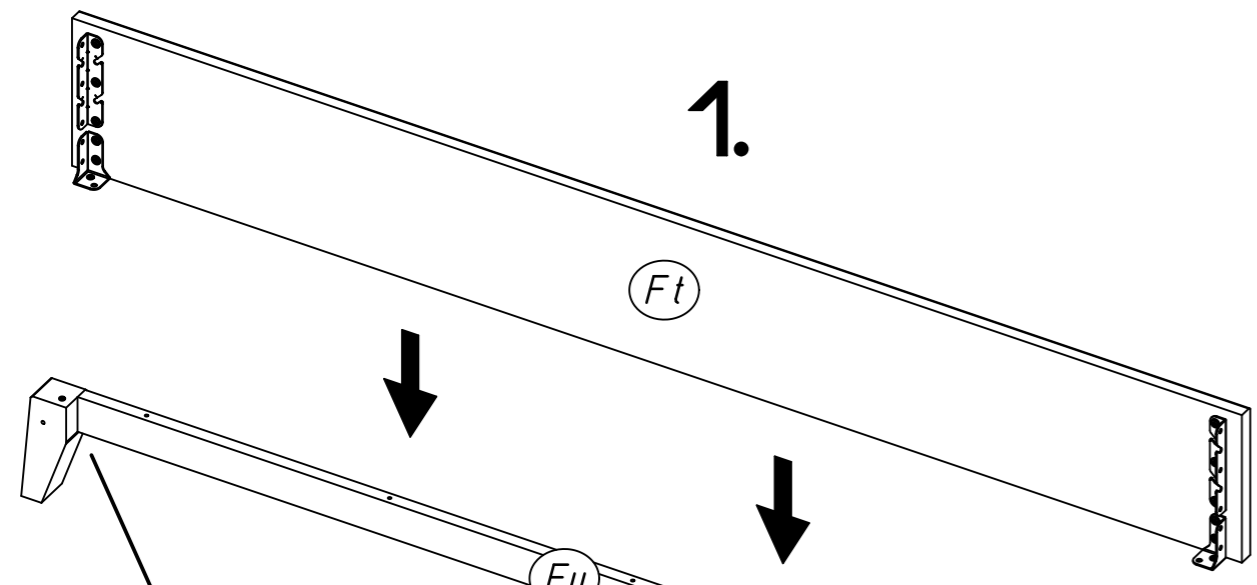
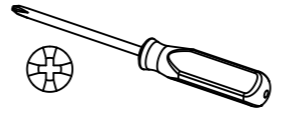
7.

4

2x 221



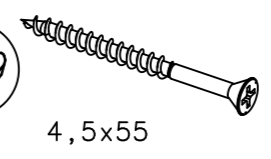
M6x20



8.

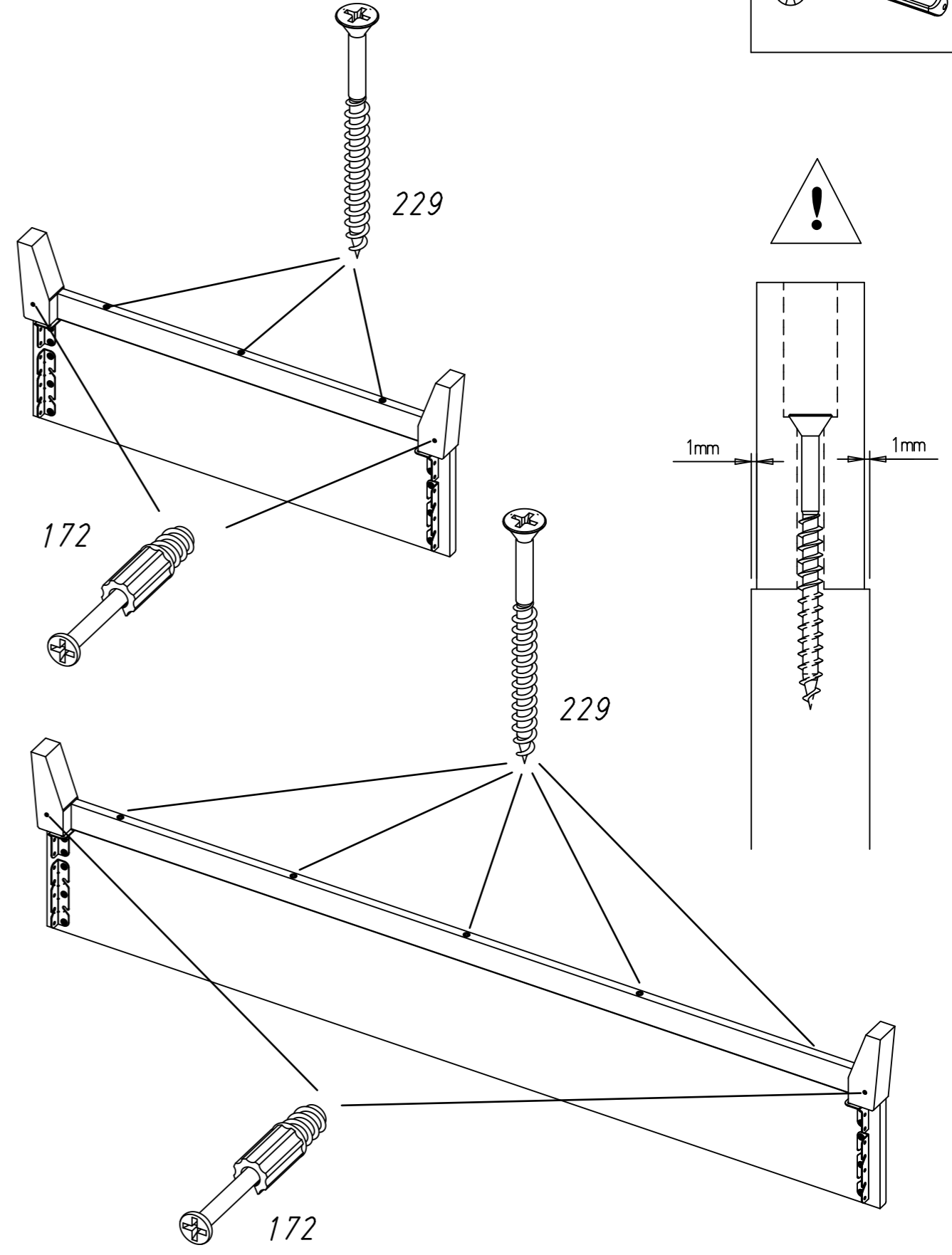
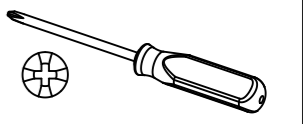
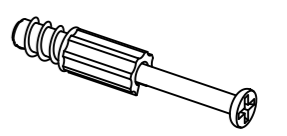
5

3/5x 229



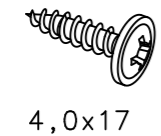
4,5x55

2x 172



6

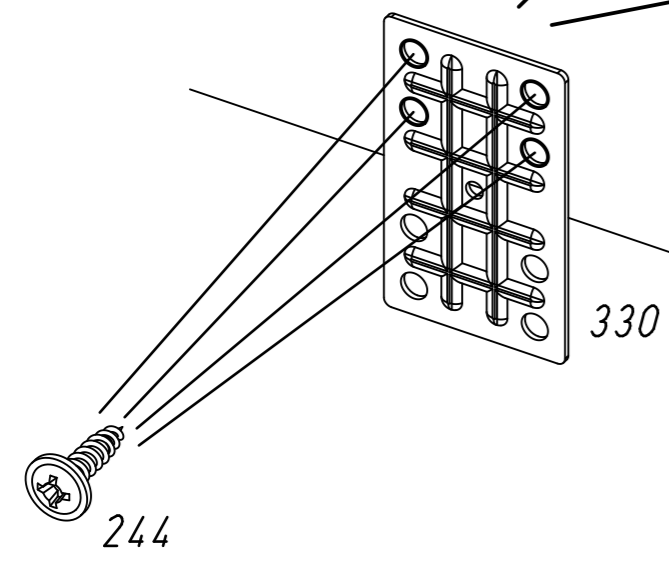
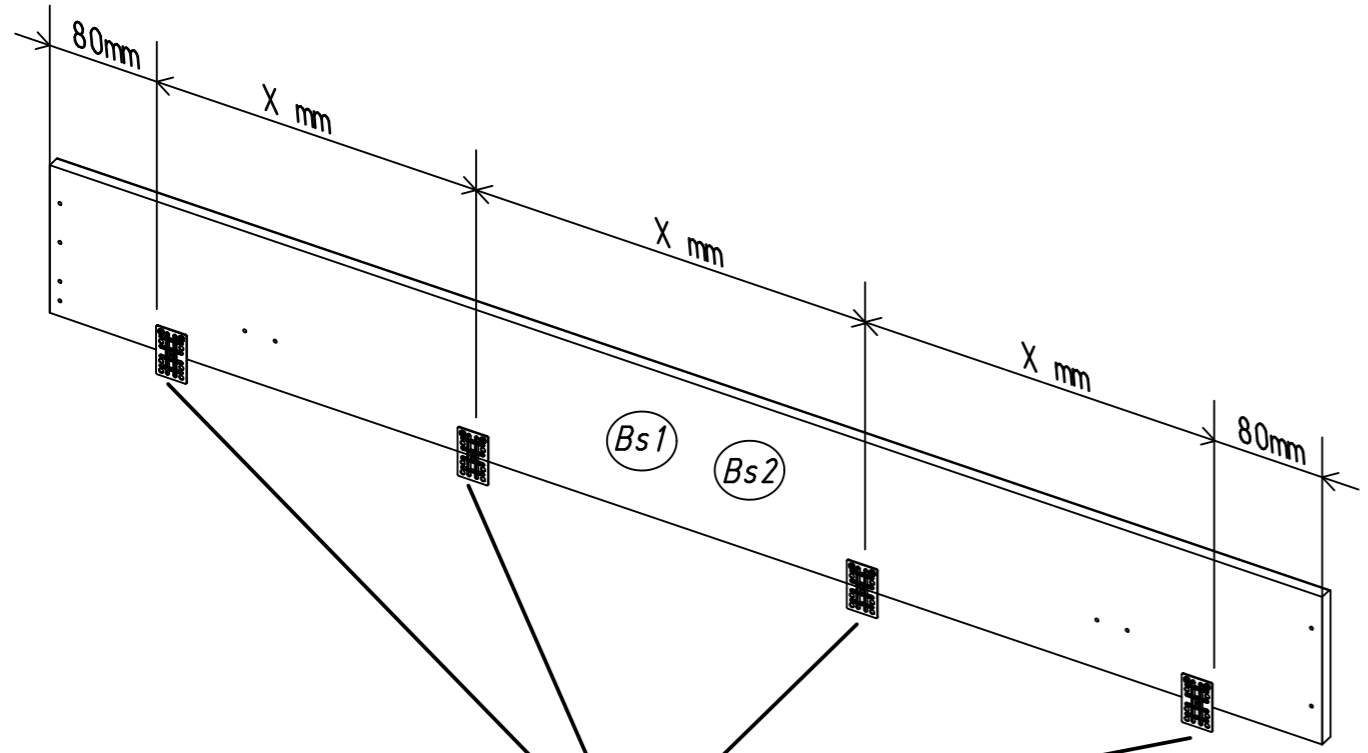
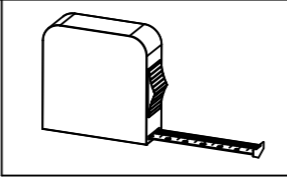
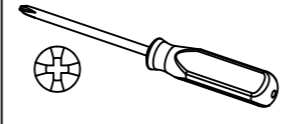
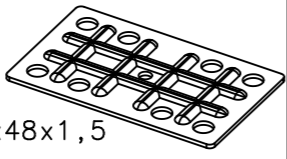
32x 244



4,0x17

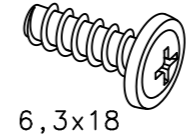
8x 330

80x48x1,5

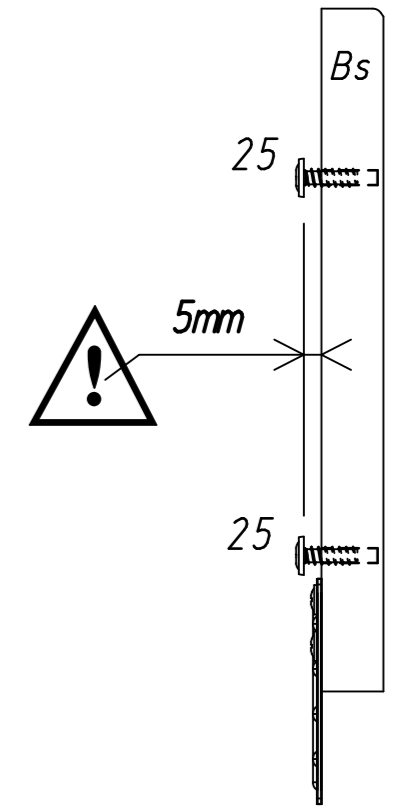
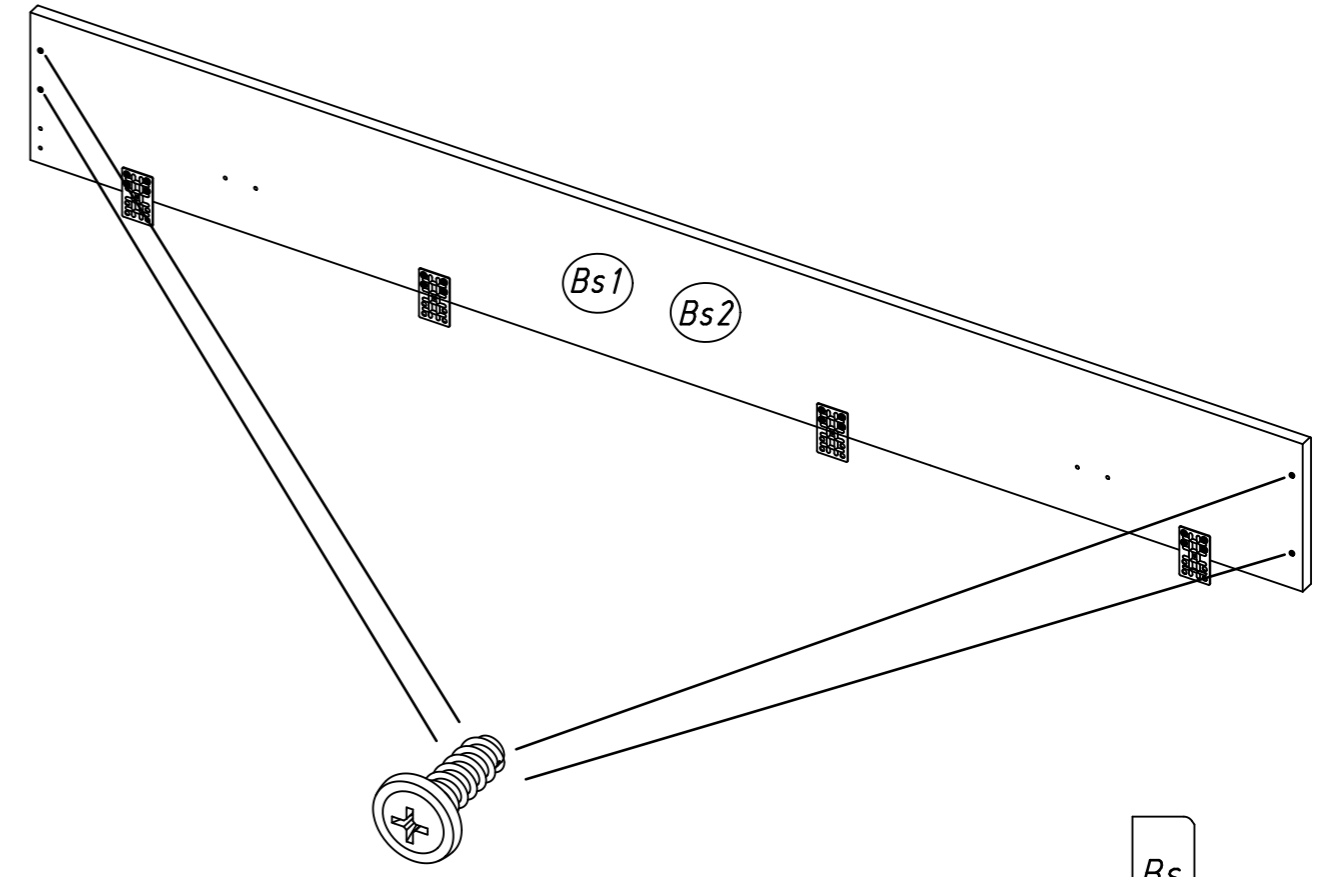
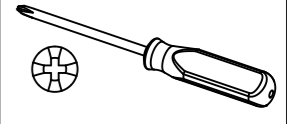


7

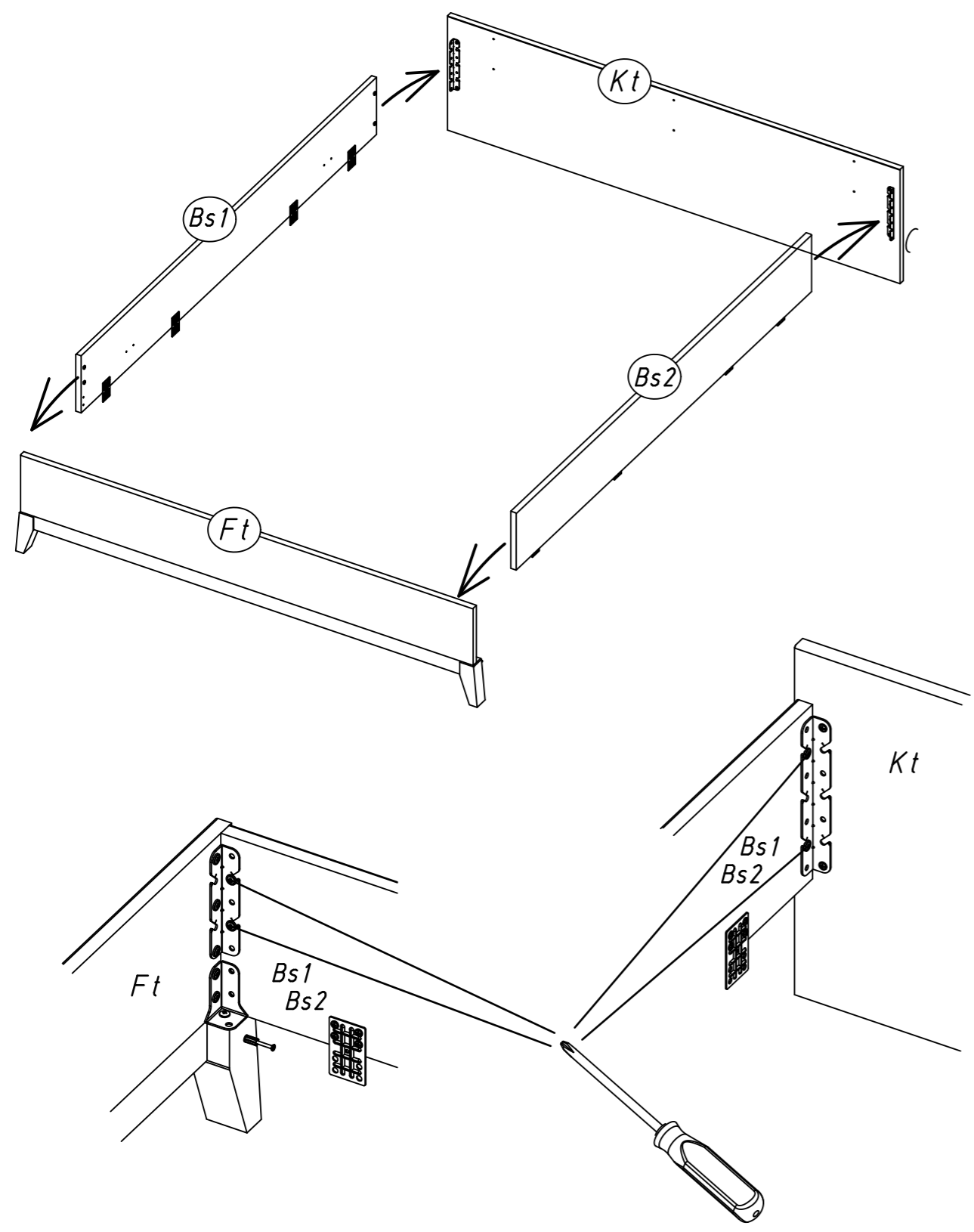
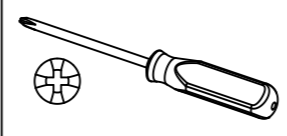
8x 25



6,3x18

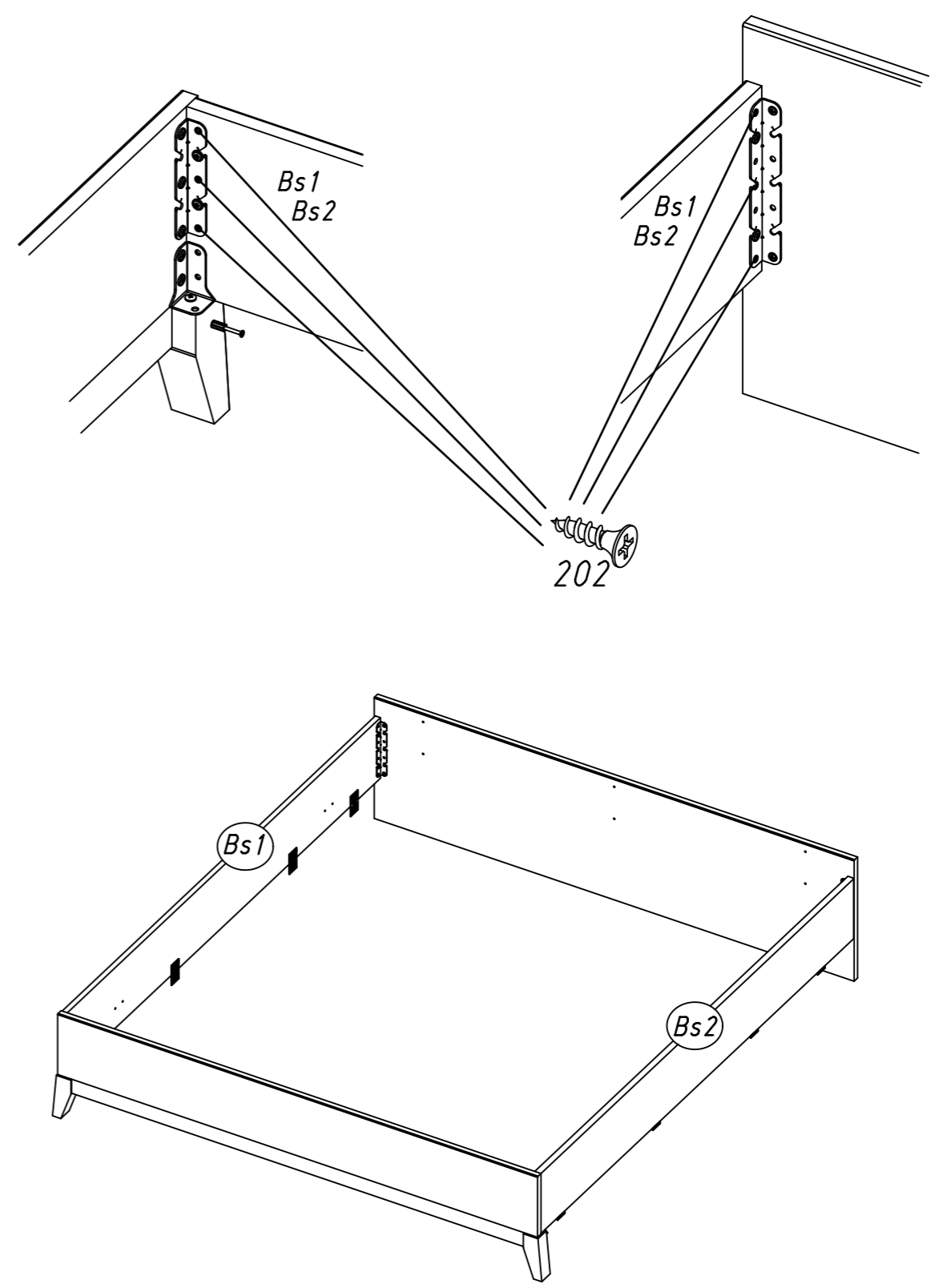
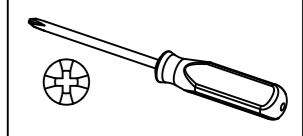
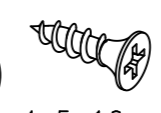


8



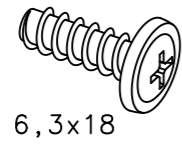
9

12x 202 4,5x16

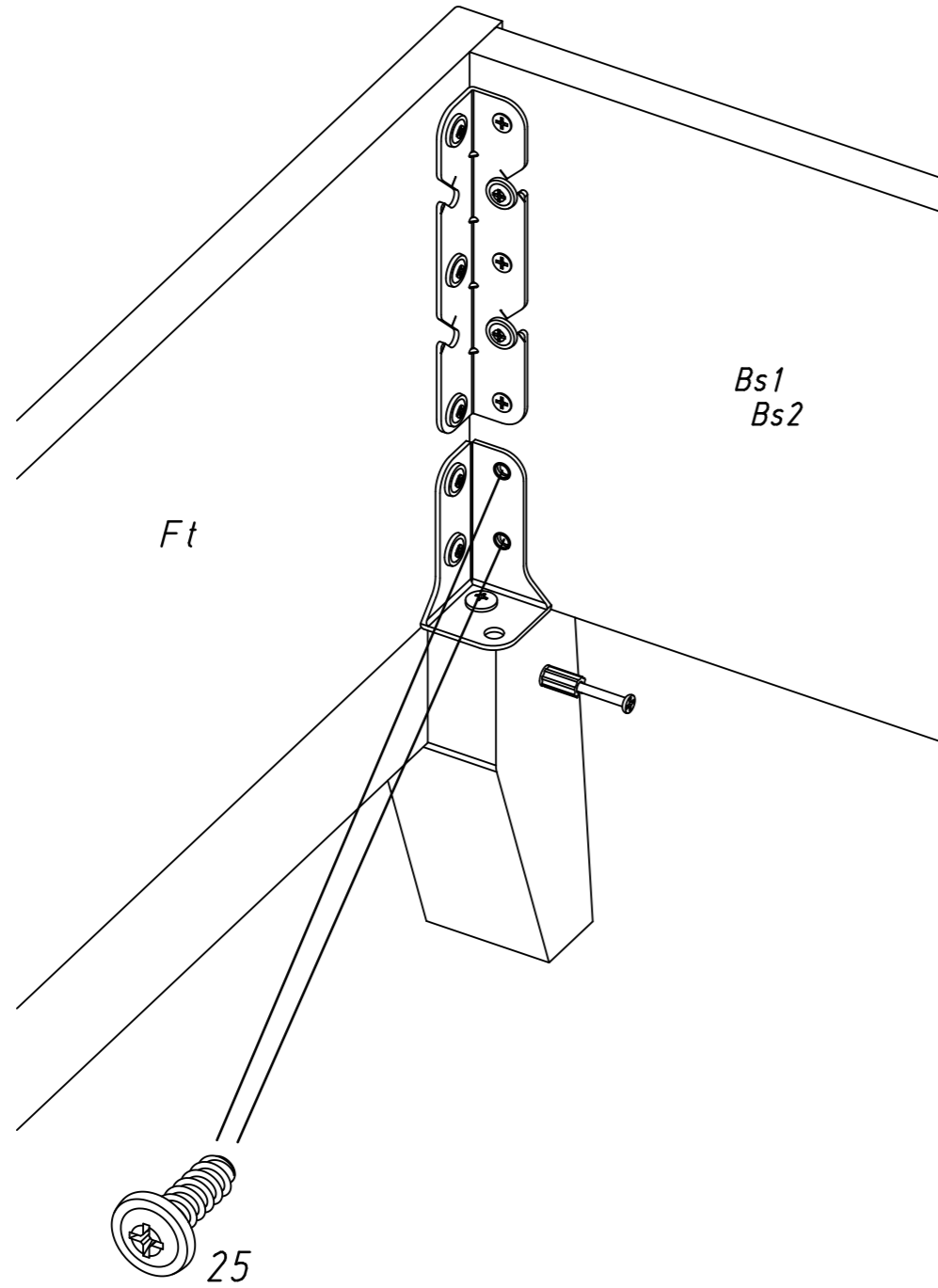
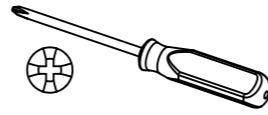


10

4x 25

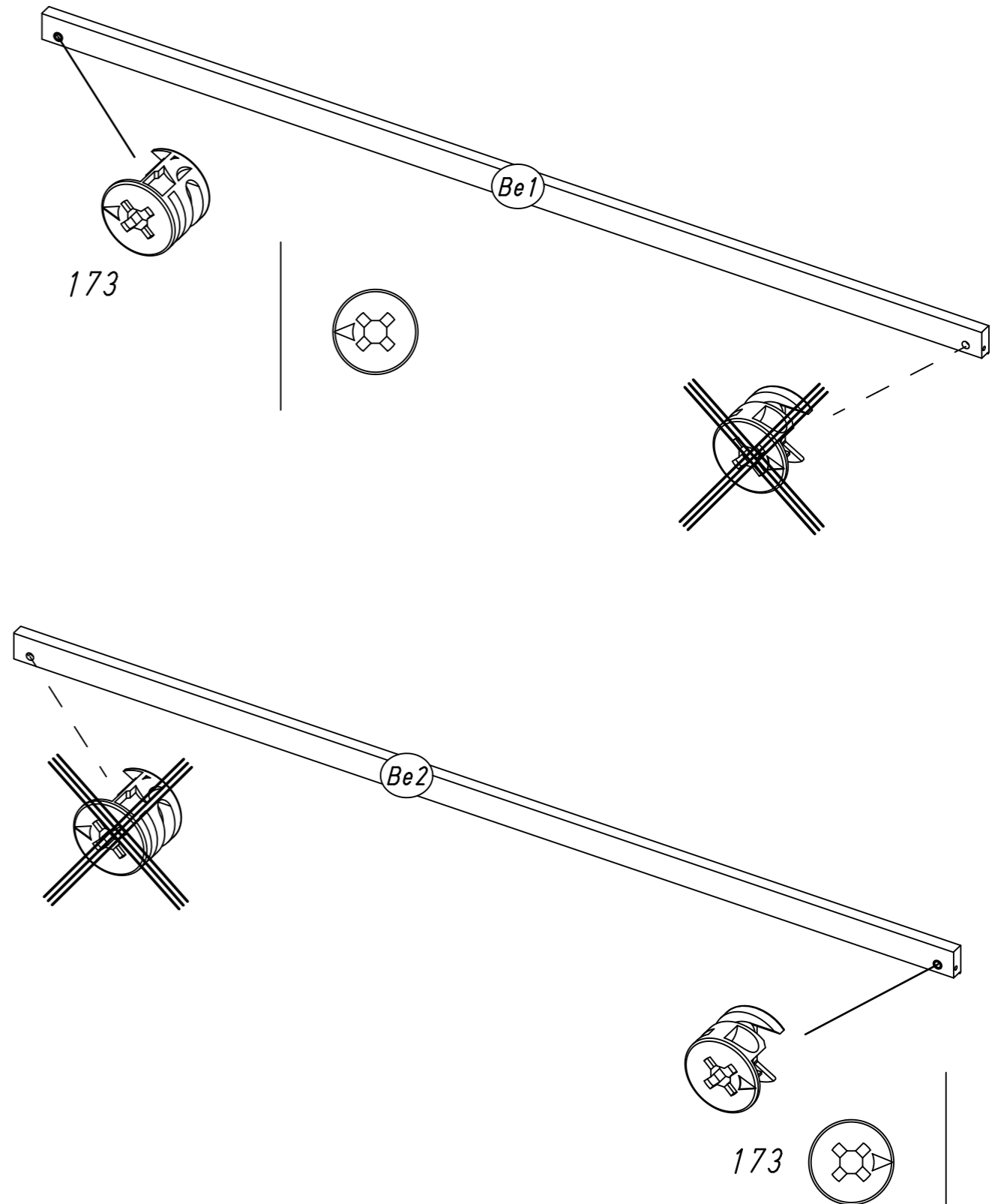


6,3x18

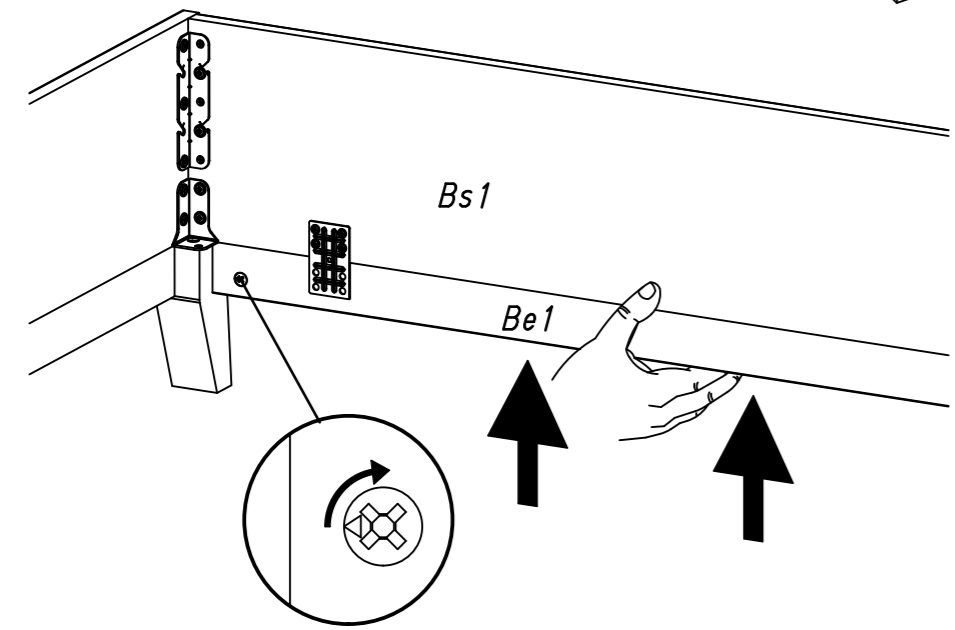
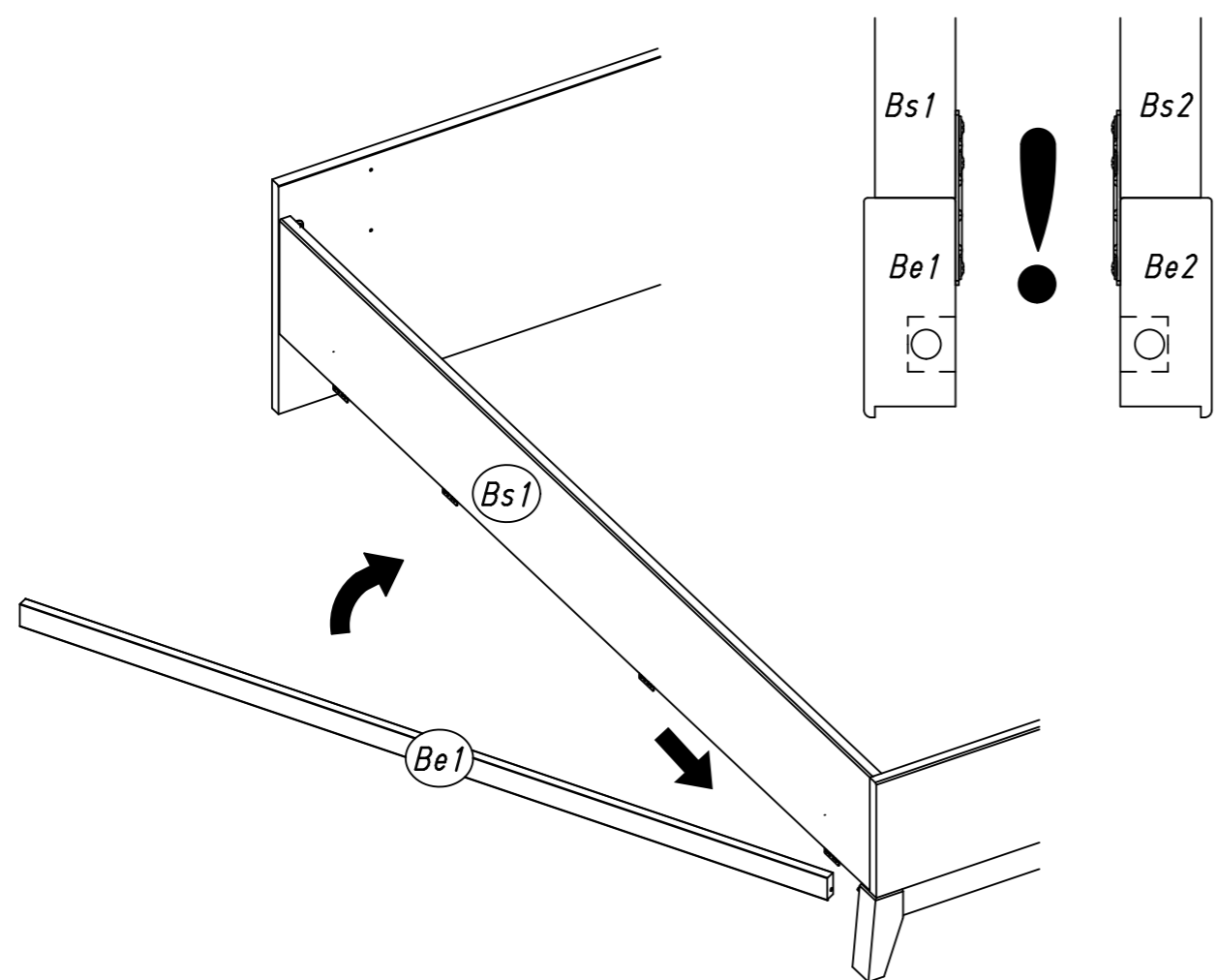
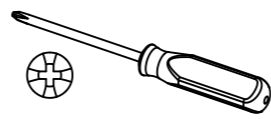


11

2x 173

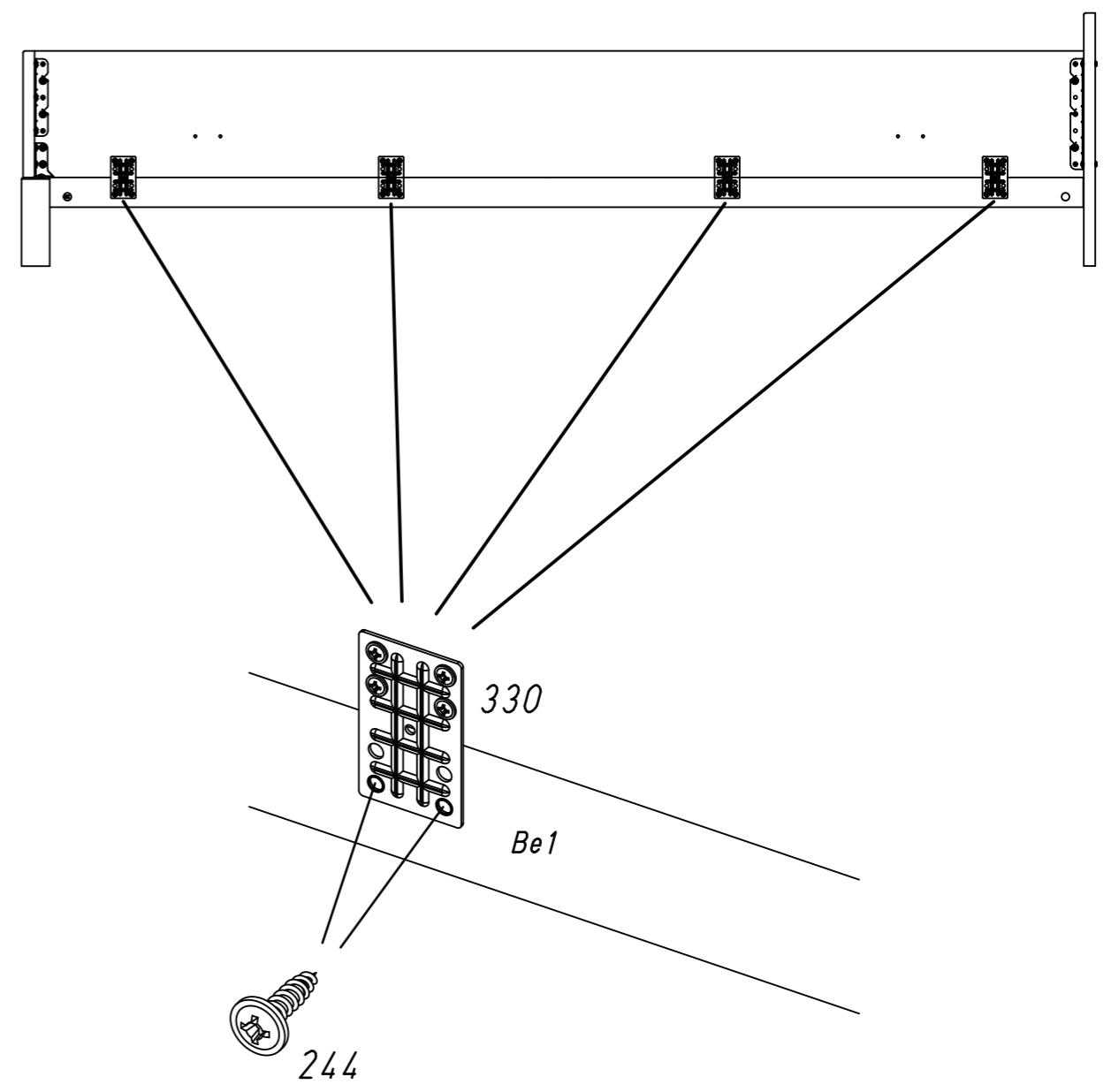
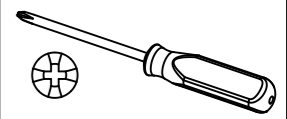
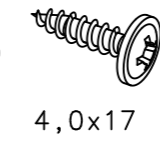


12

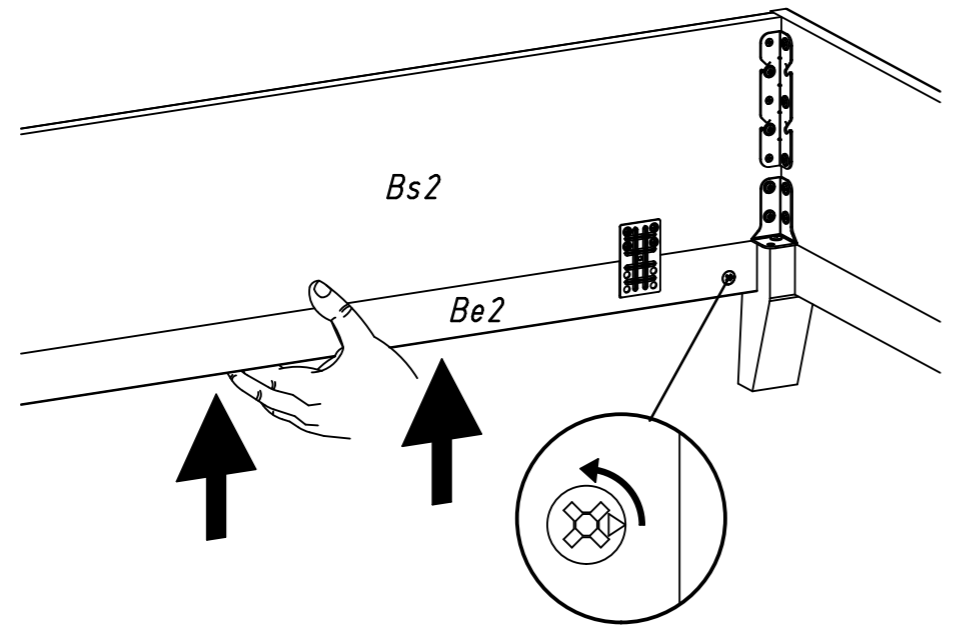
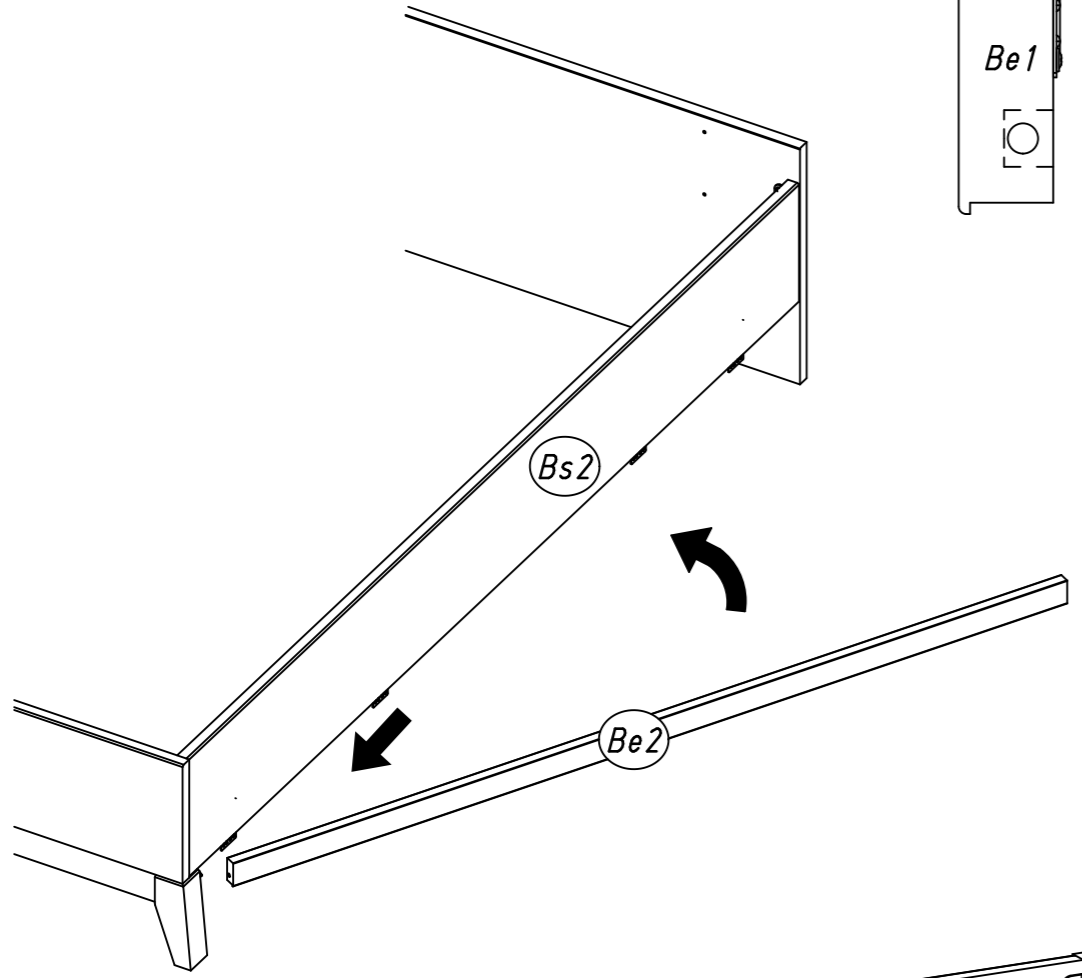
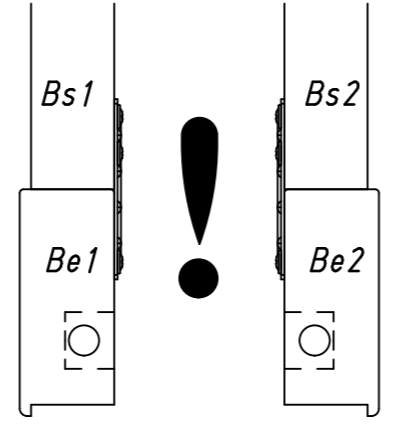
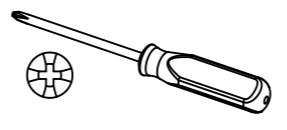


13

8x 244

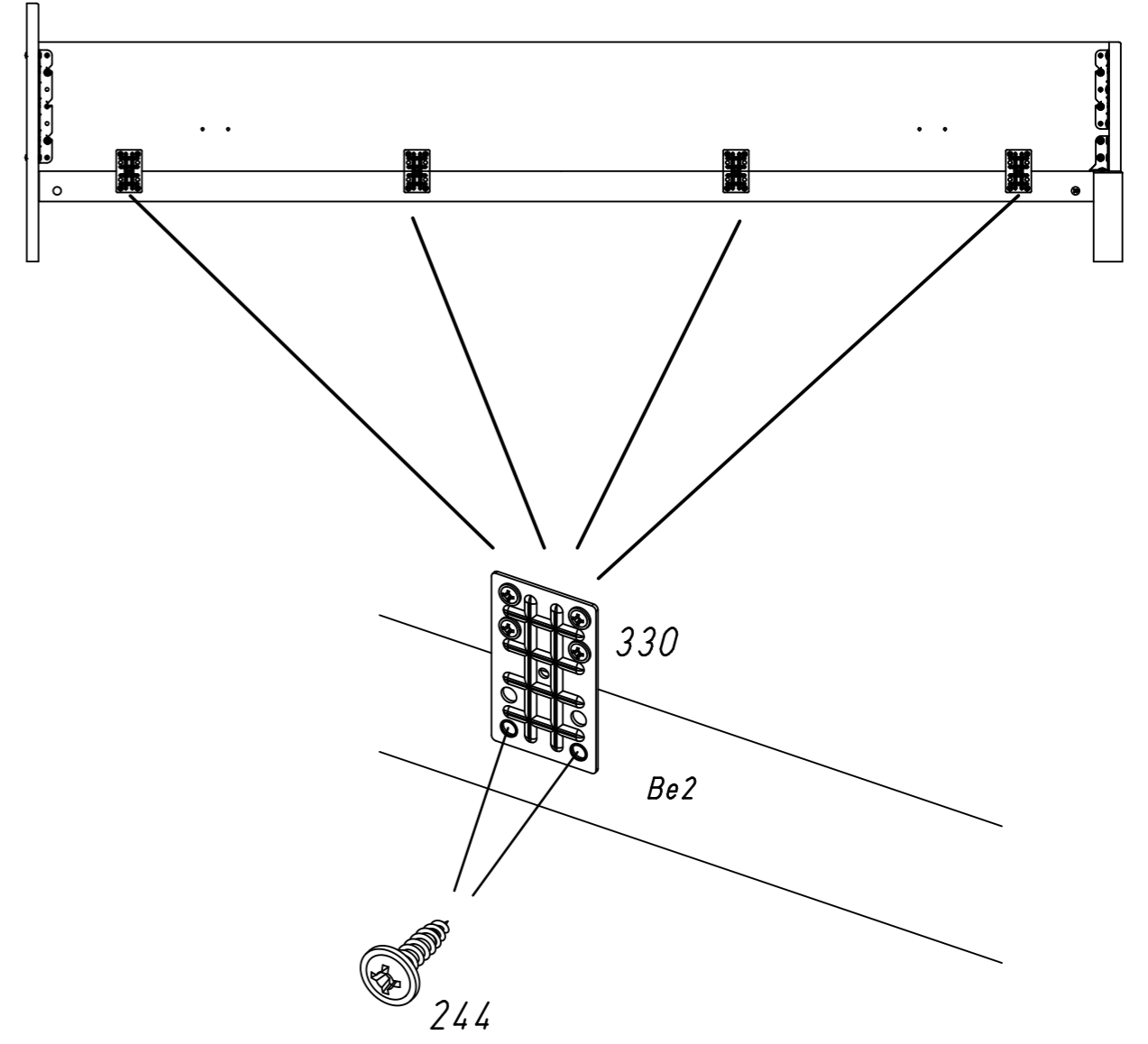
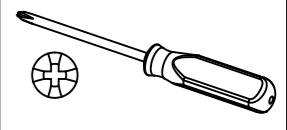


14



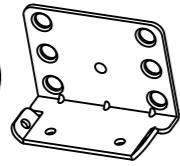
15

8x 244



16

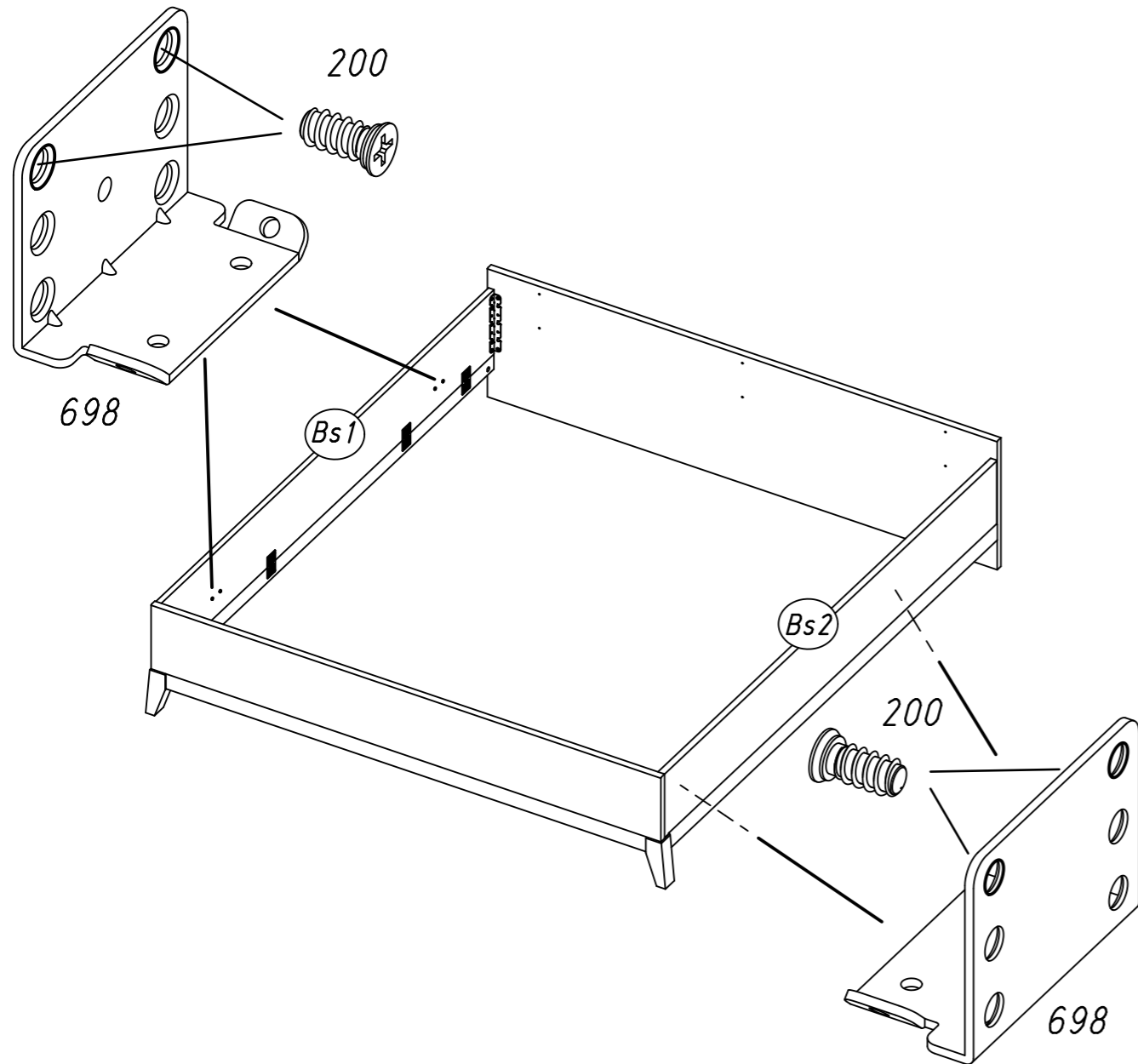
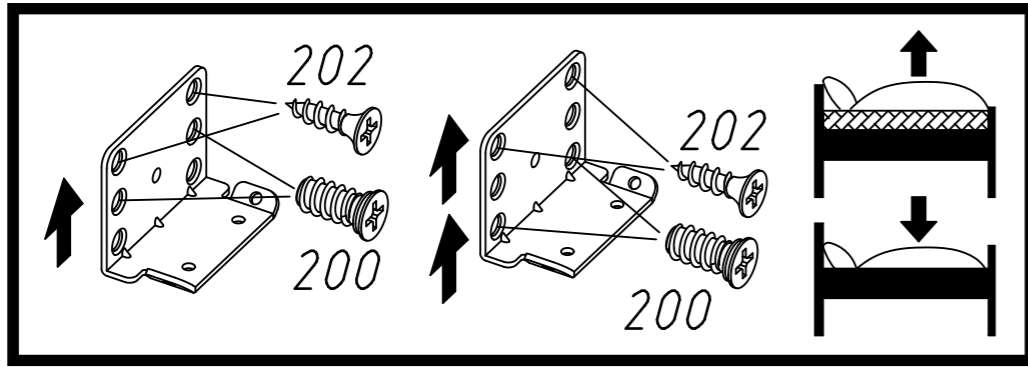
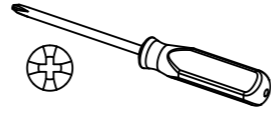
4x 698



8x 200

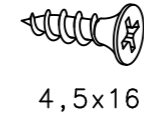


6,3x14

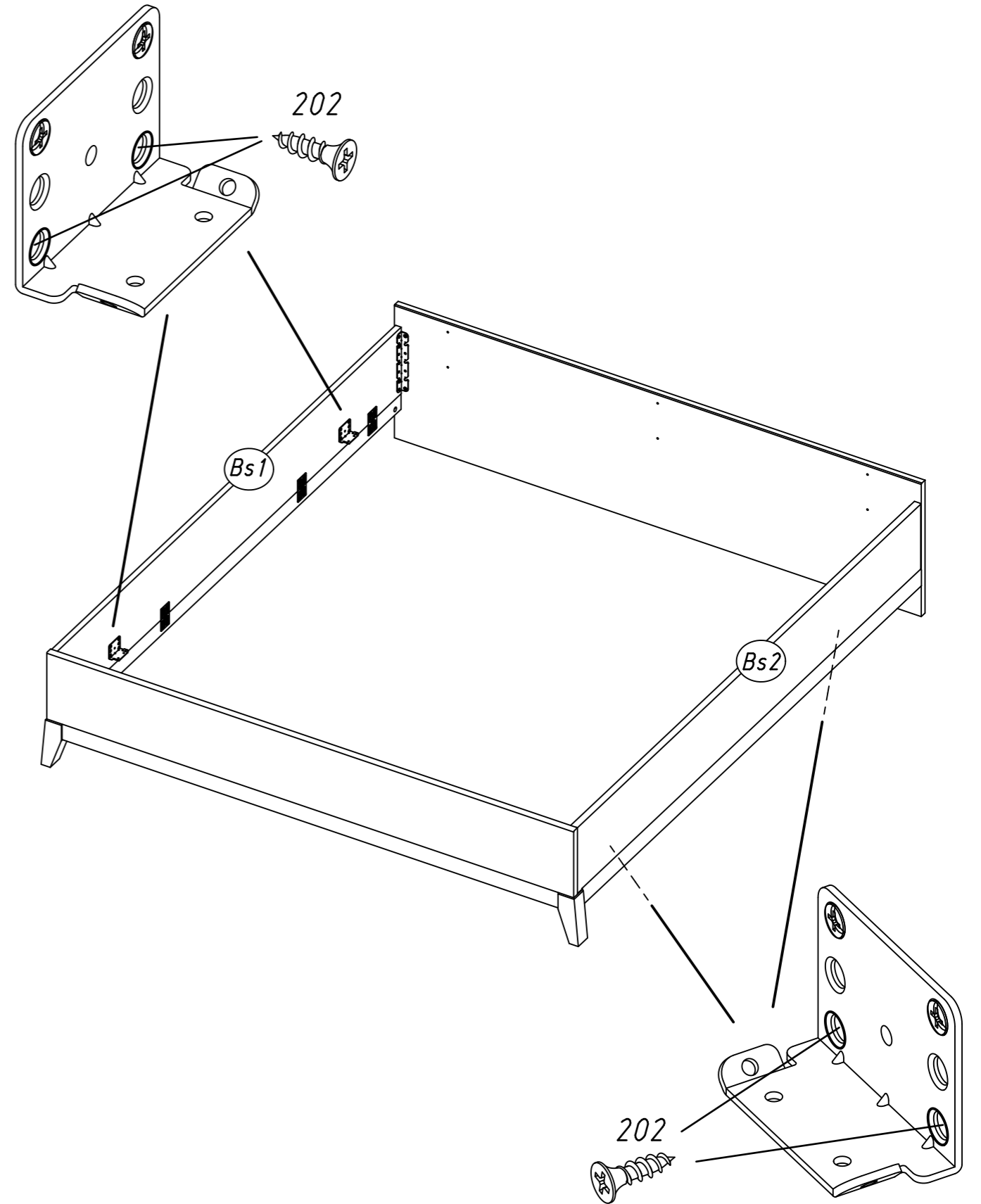
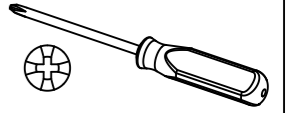


17

8x 202



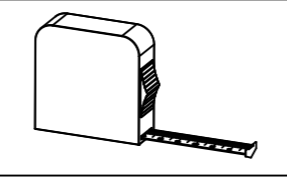
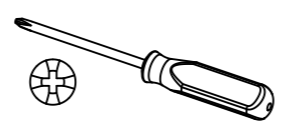
4,5x16



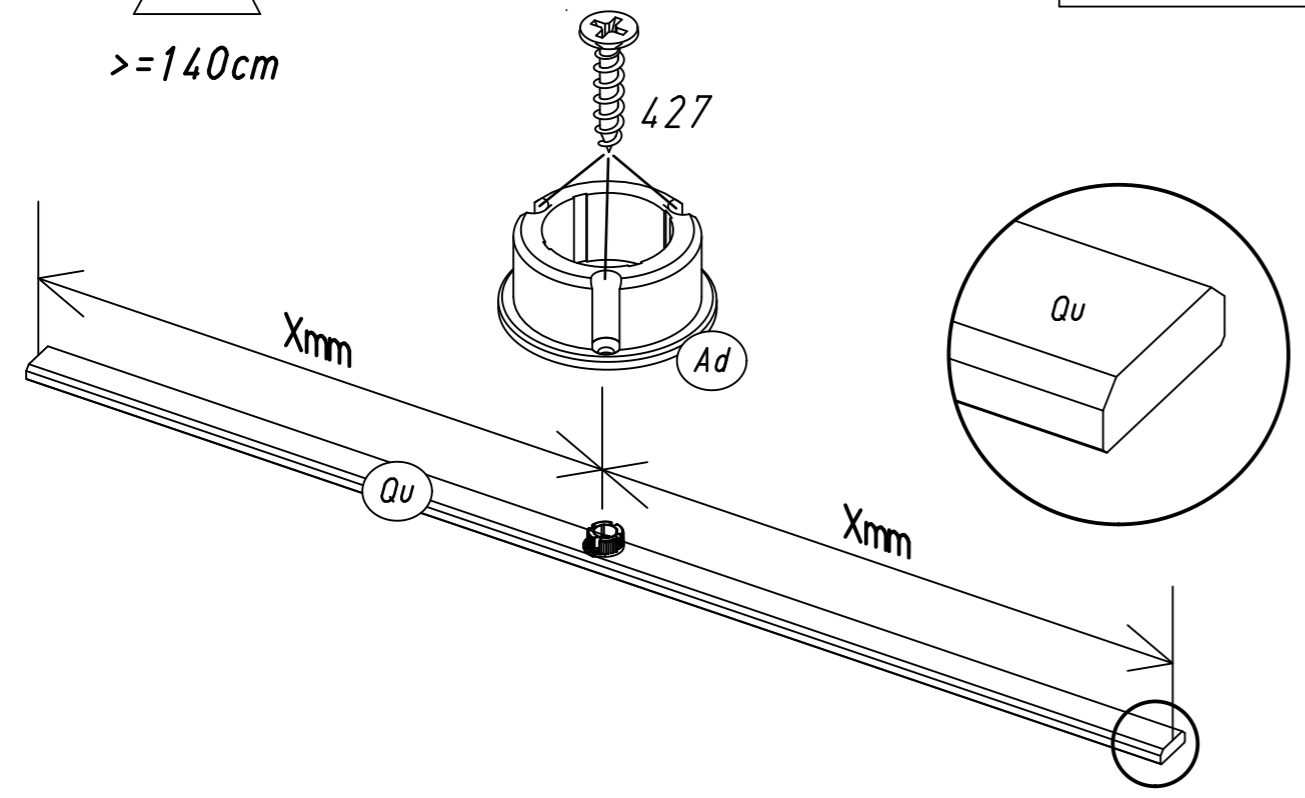
18

6x 427 4,0x20

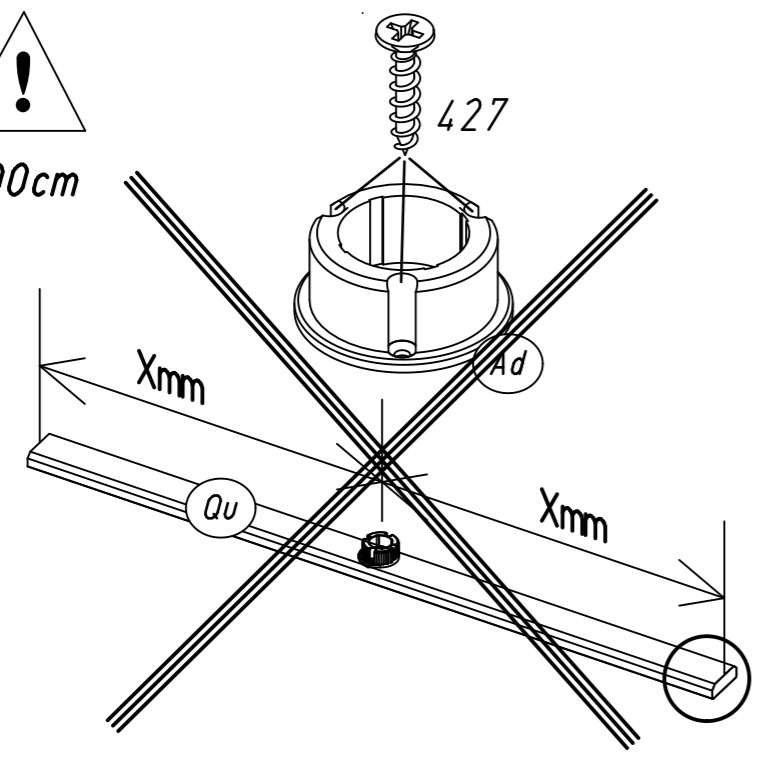
2x Ad



!
 >=140cm

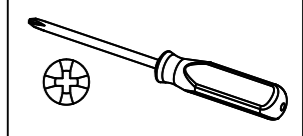


!
 90cm

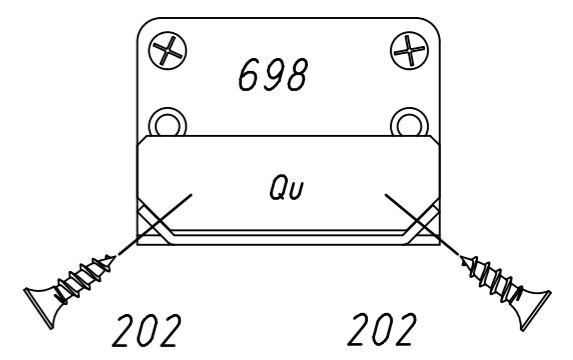
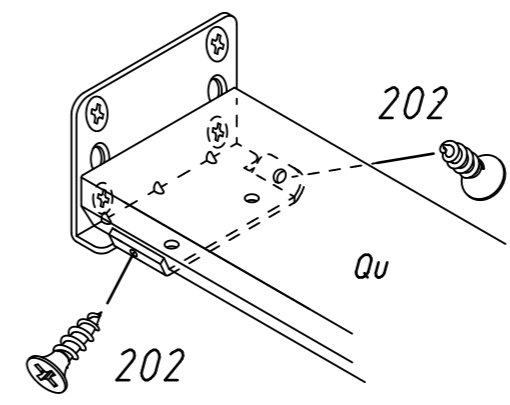
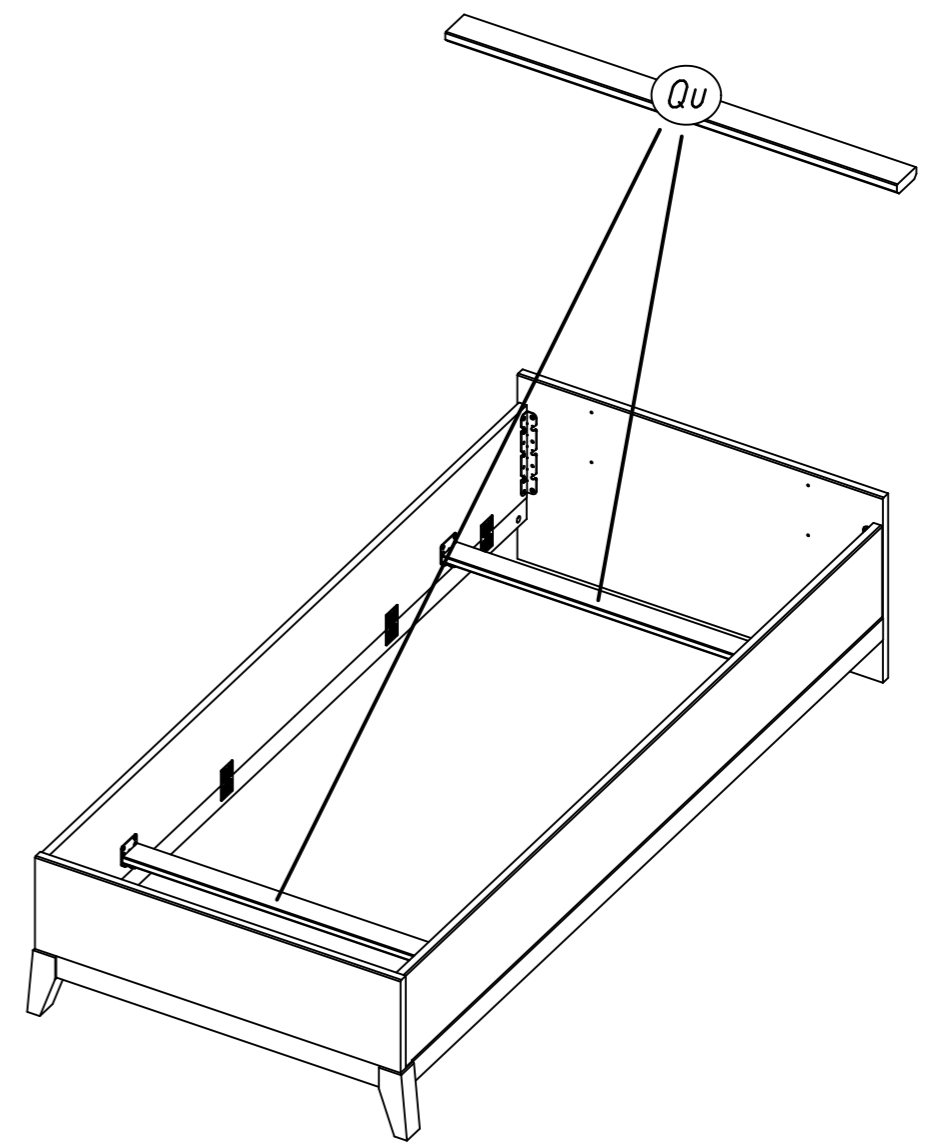


19

8x 202 4,5x16



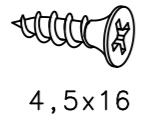
!
 90cm



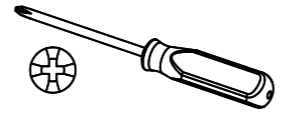
20

8x

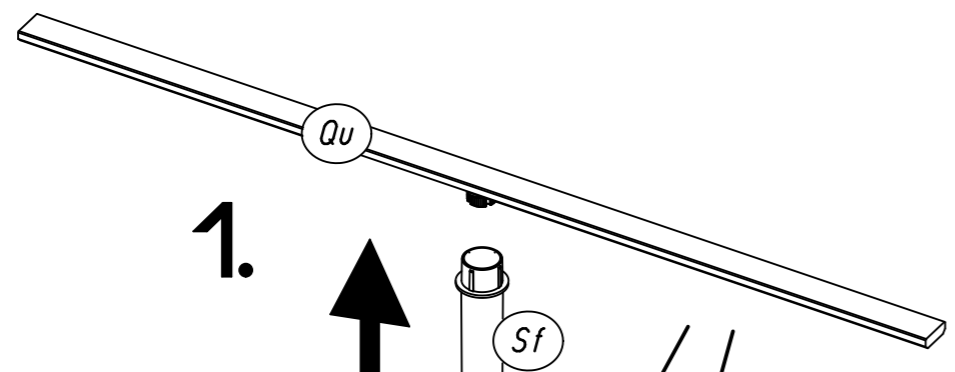
202



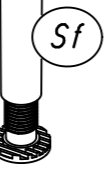
4,5x16



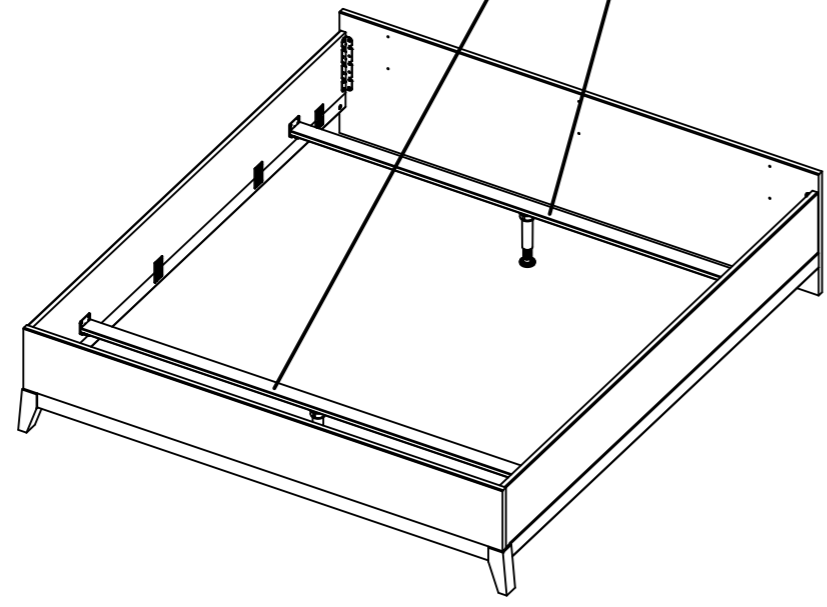
$\geq 140\text{cm}$



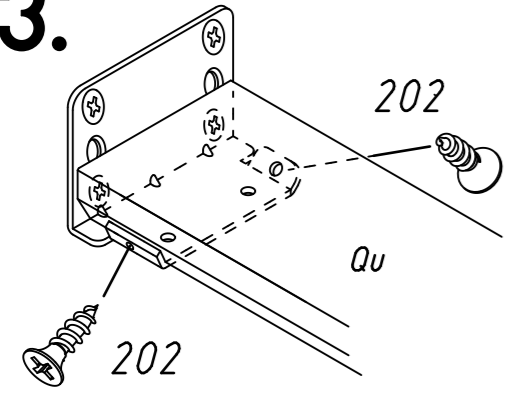
1.



2.



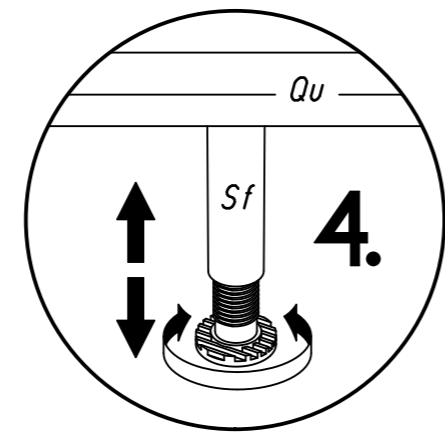
3.



202

Qu

202



4.