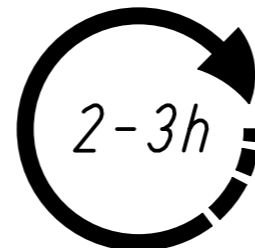
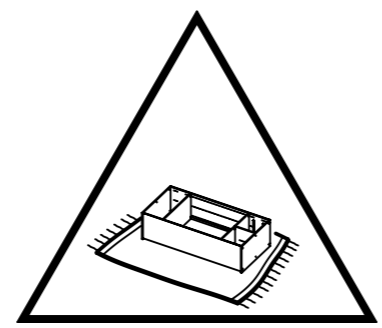
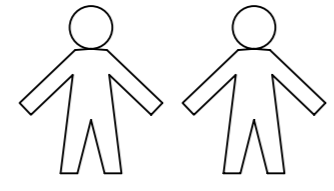
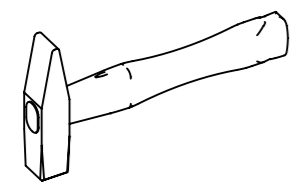
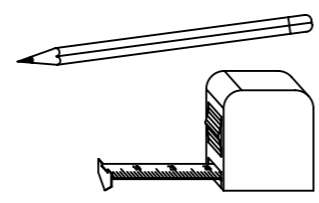
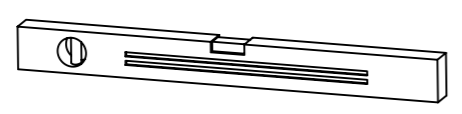
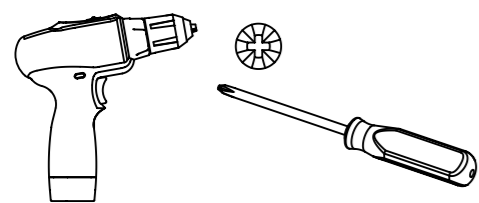


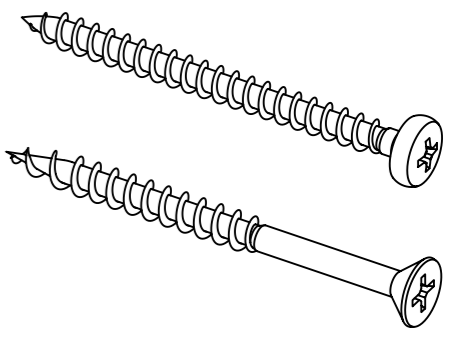
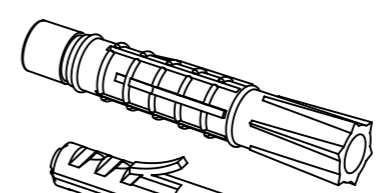
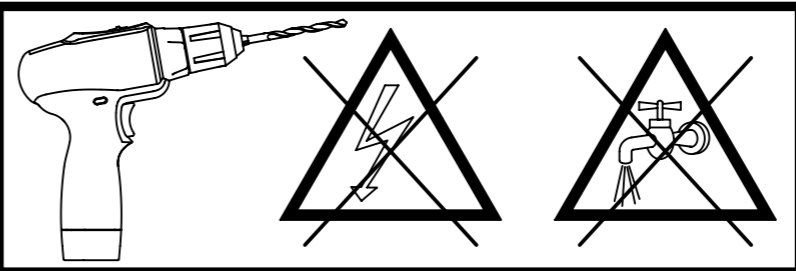
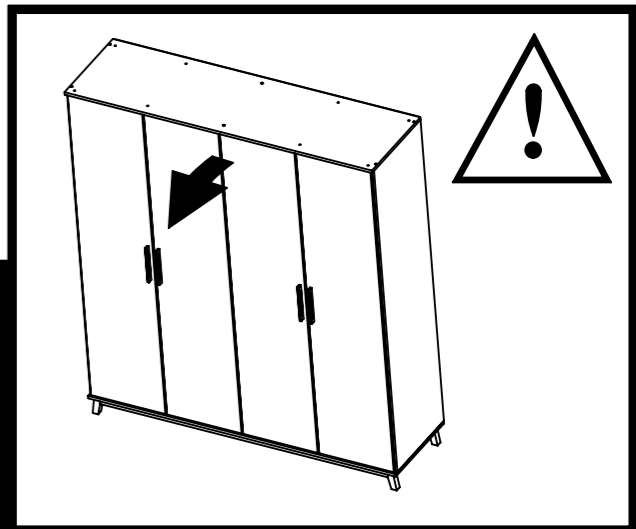
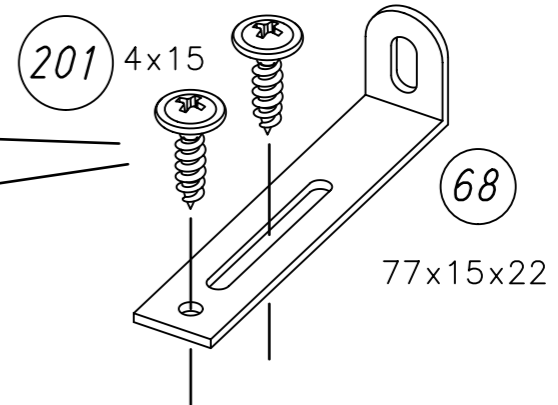
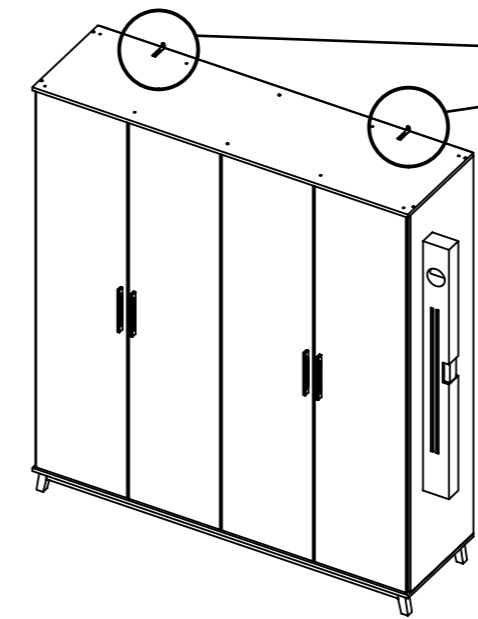
1.

M2413_01

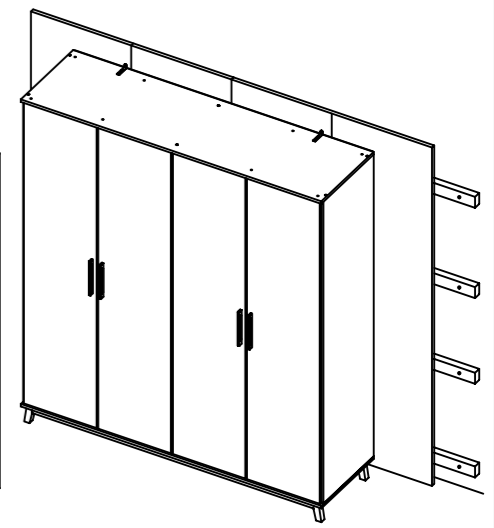
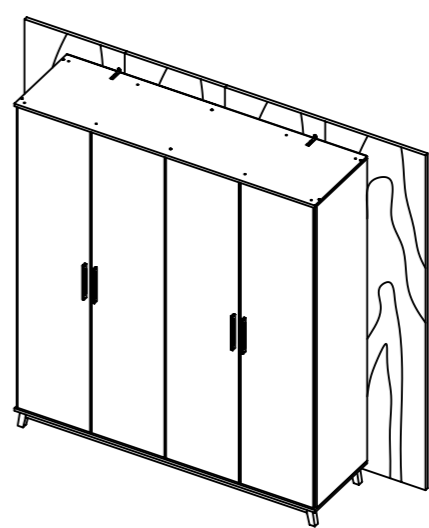
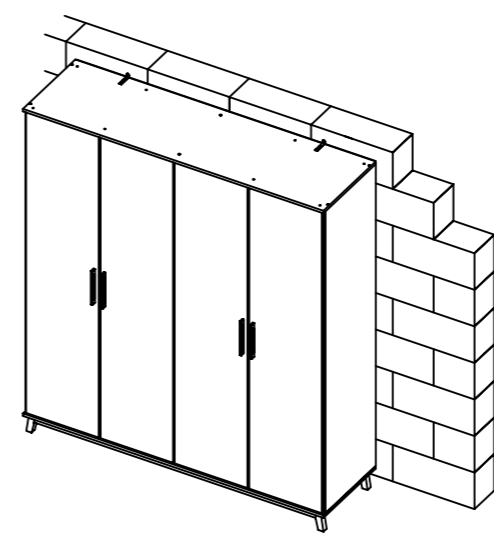
rauch

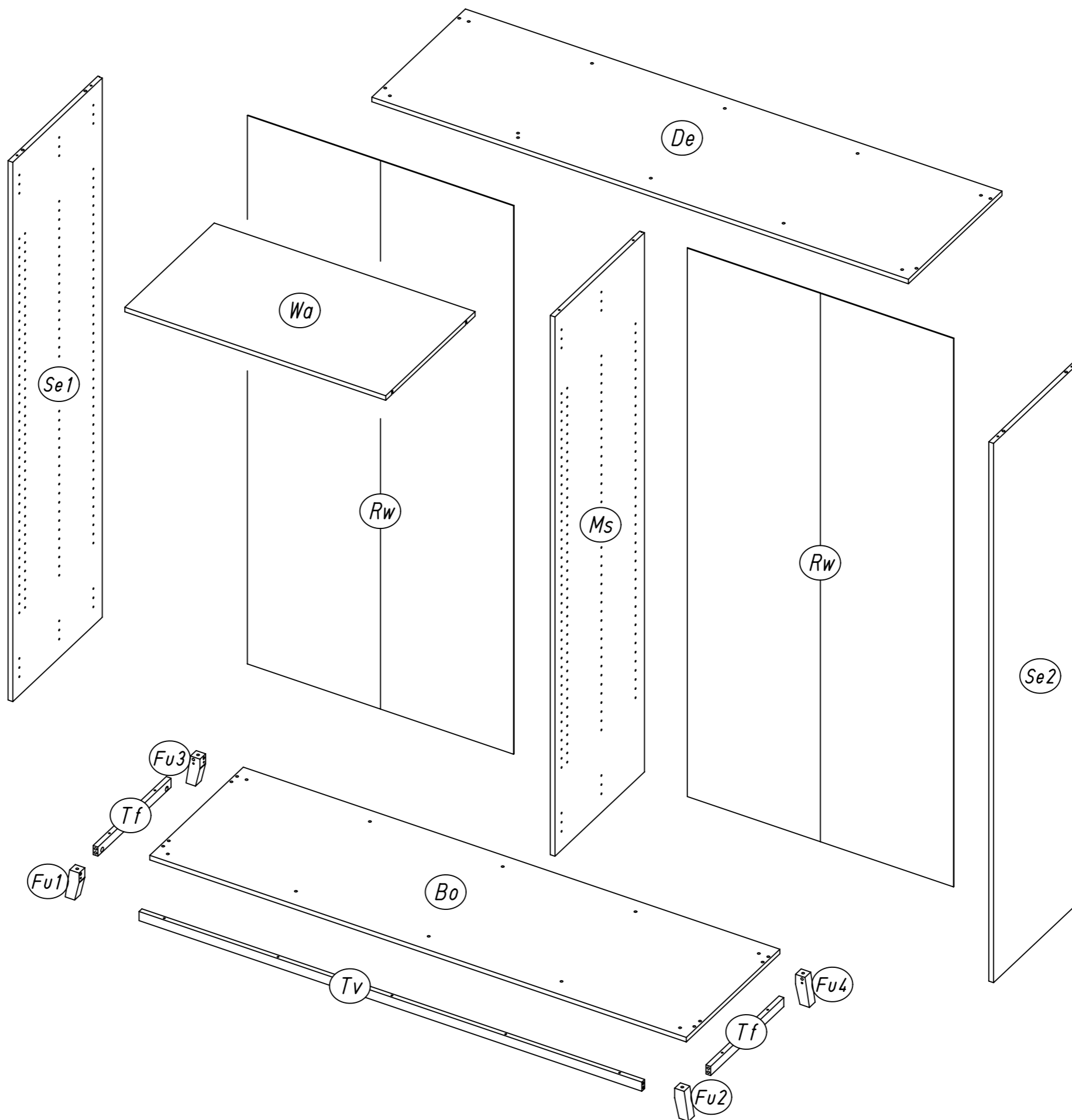


2.

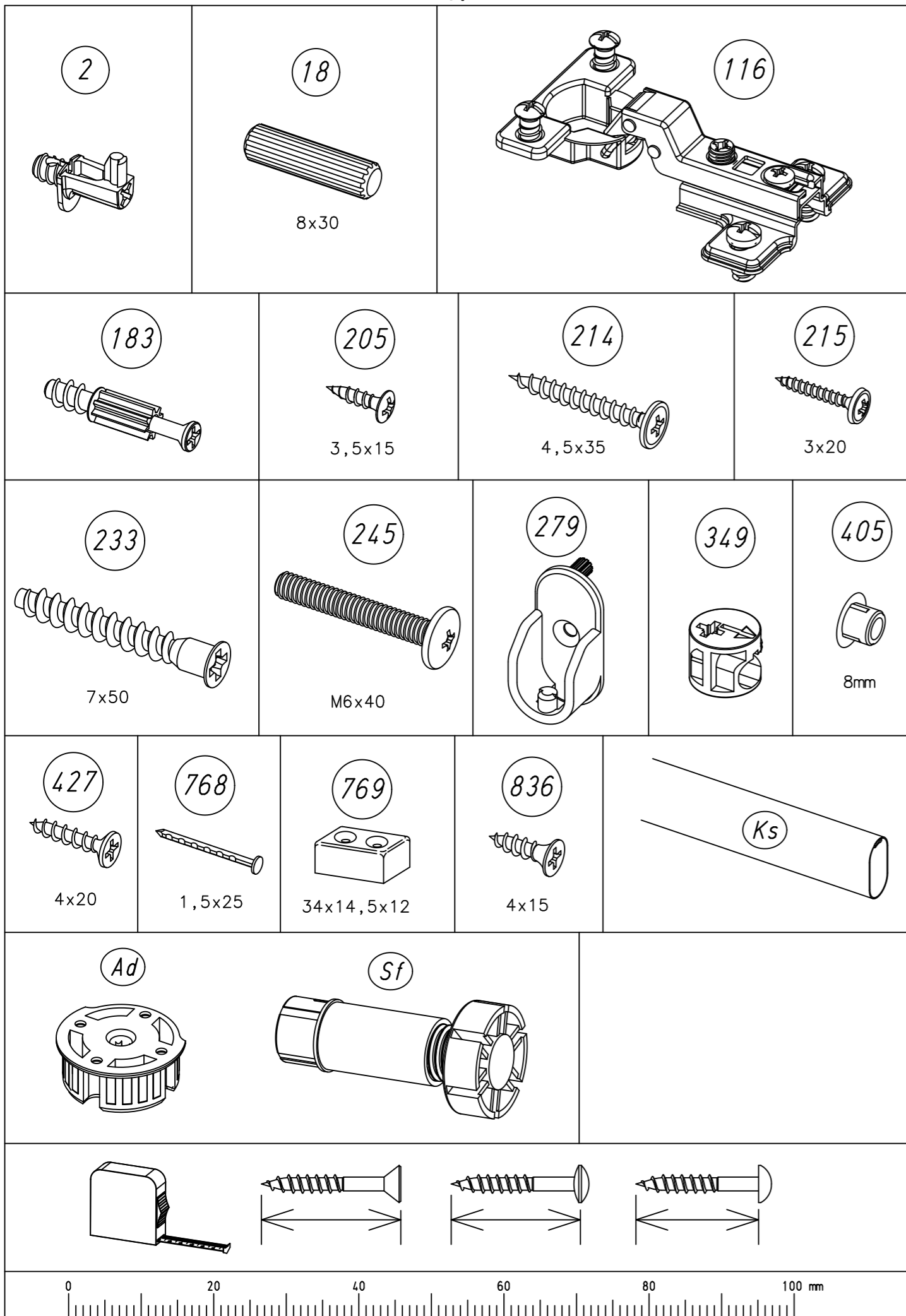


ØXmm



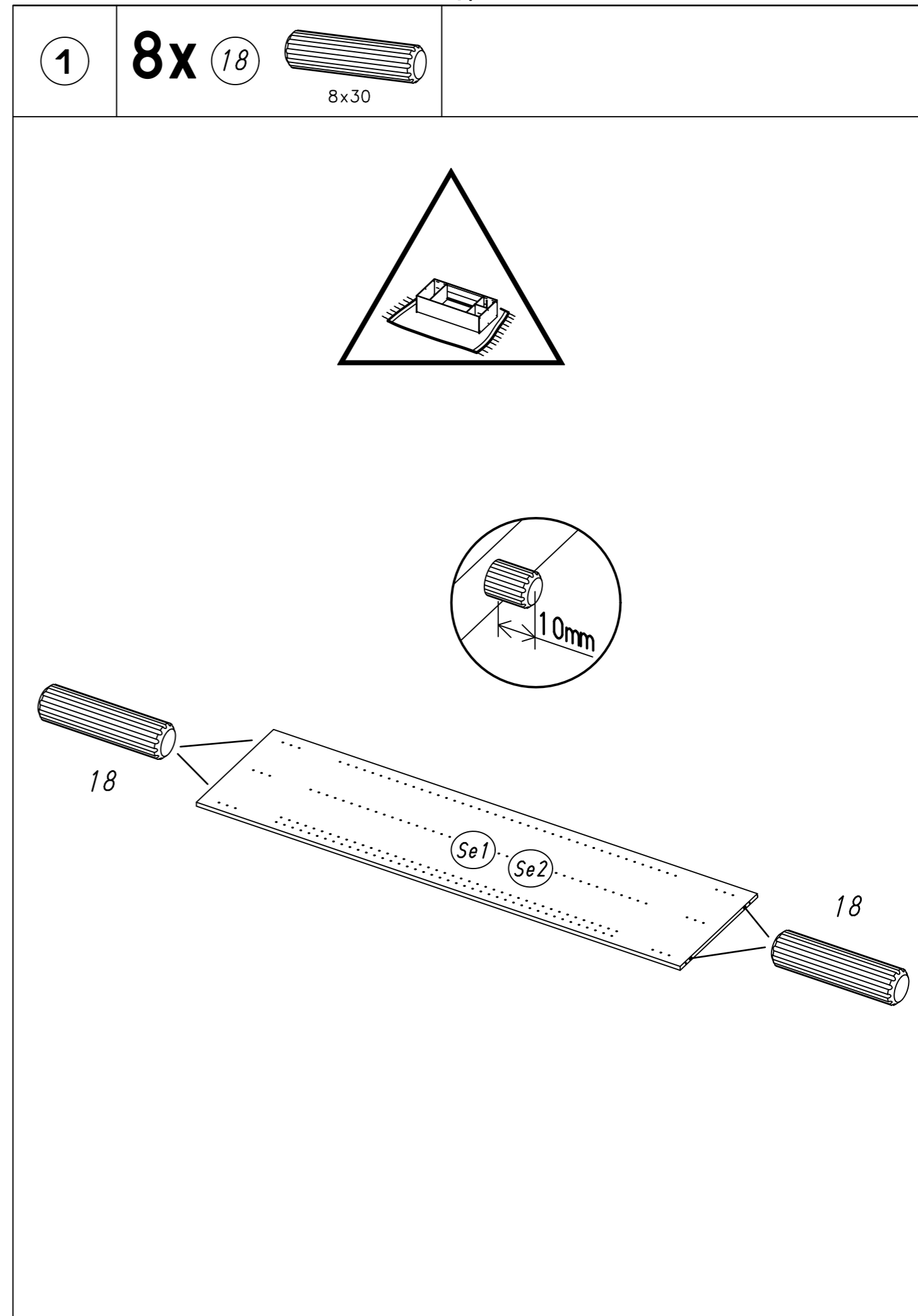


5.



M2413

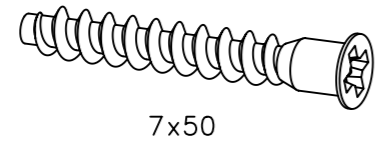
6.



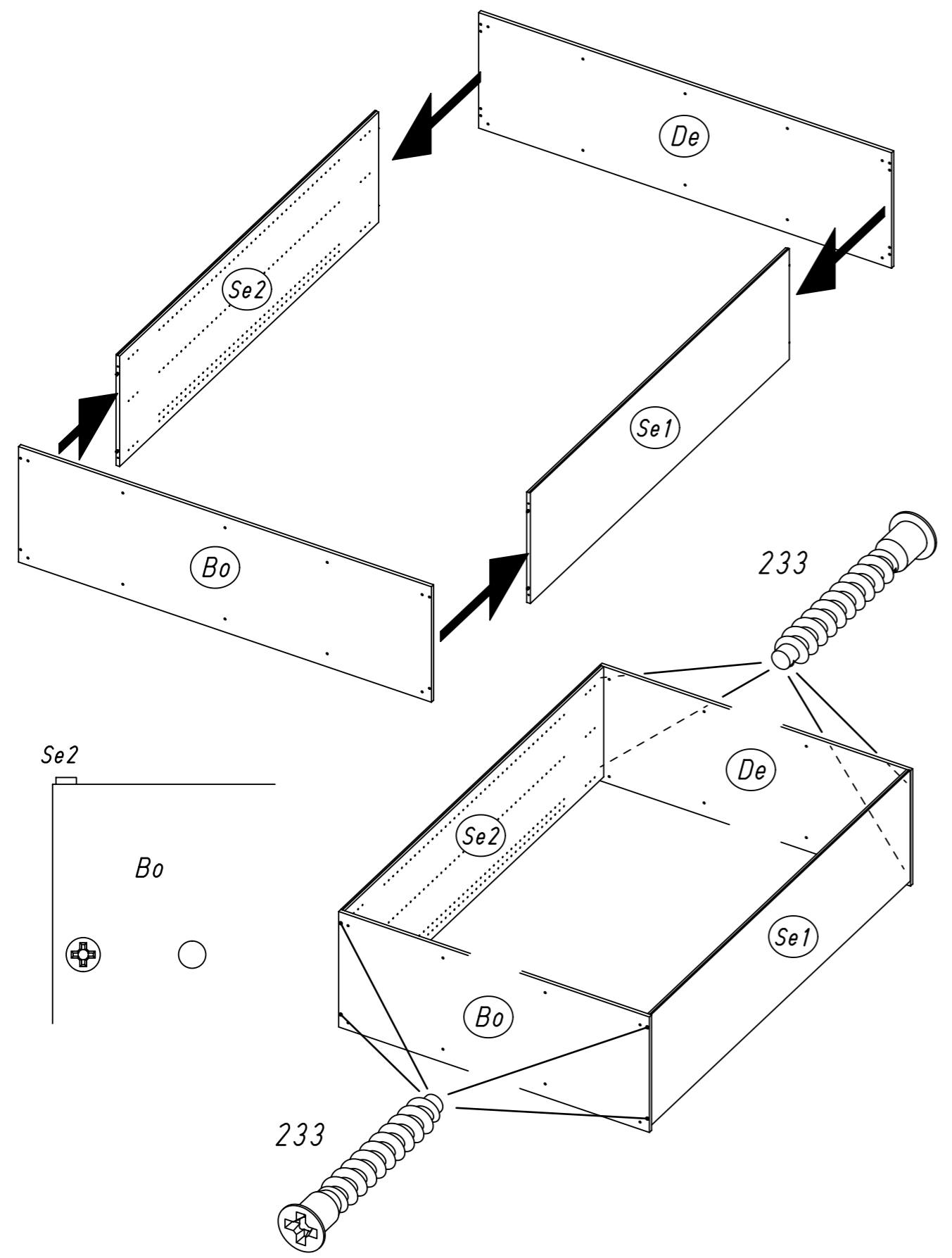
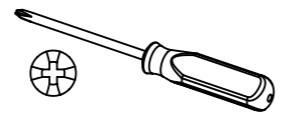
M2413

2

8x 233

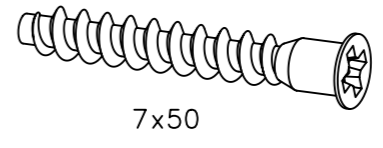


7x50

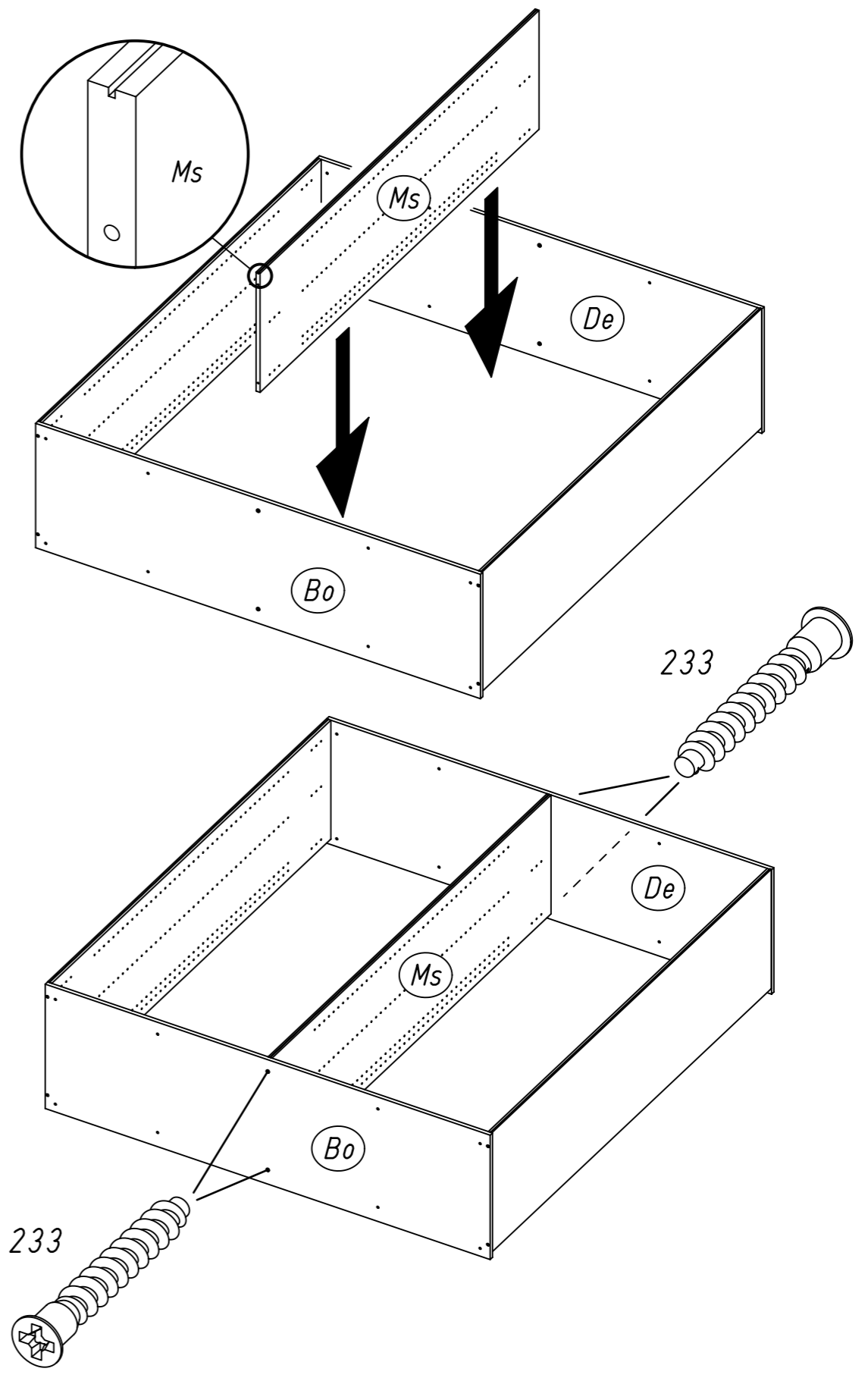
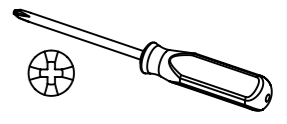


3

4x 233

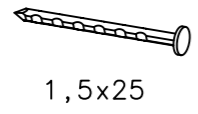


7x50

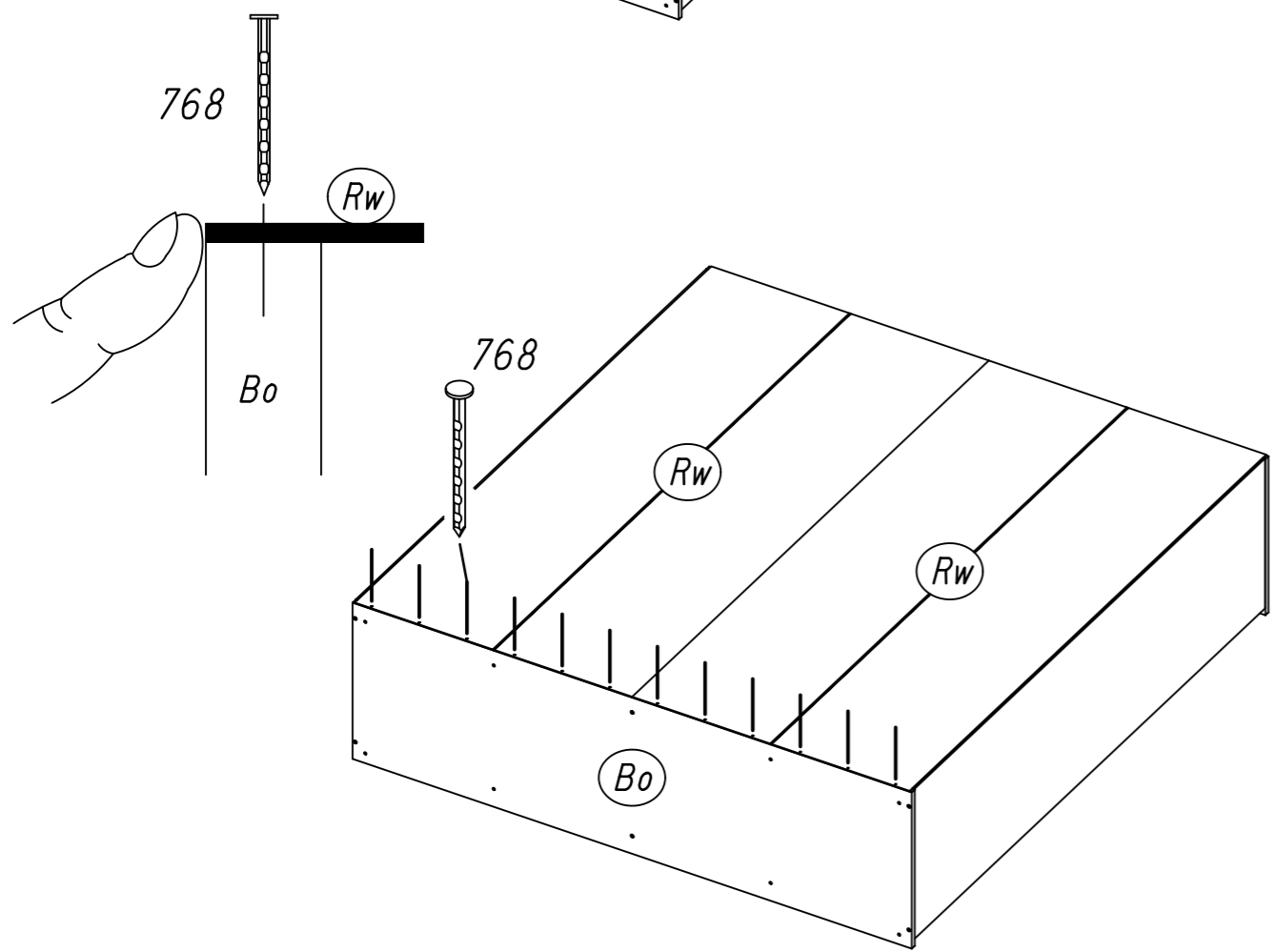
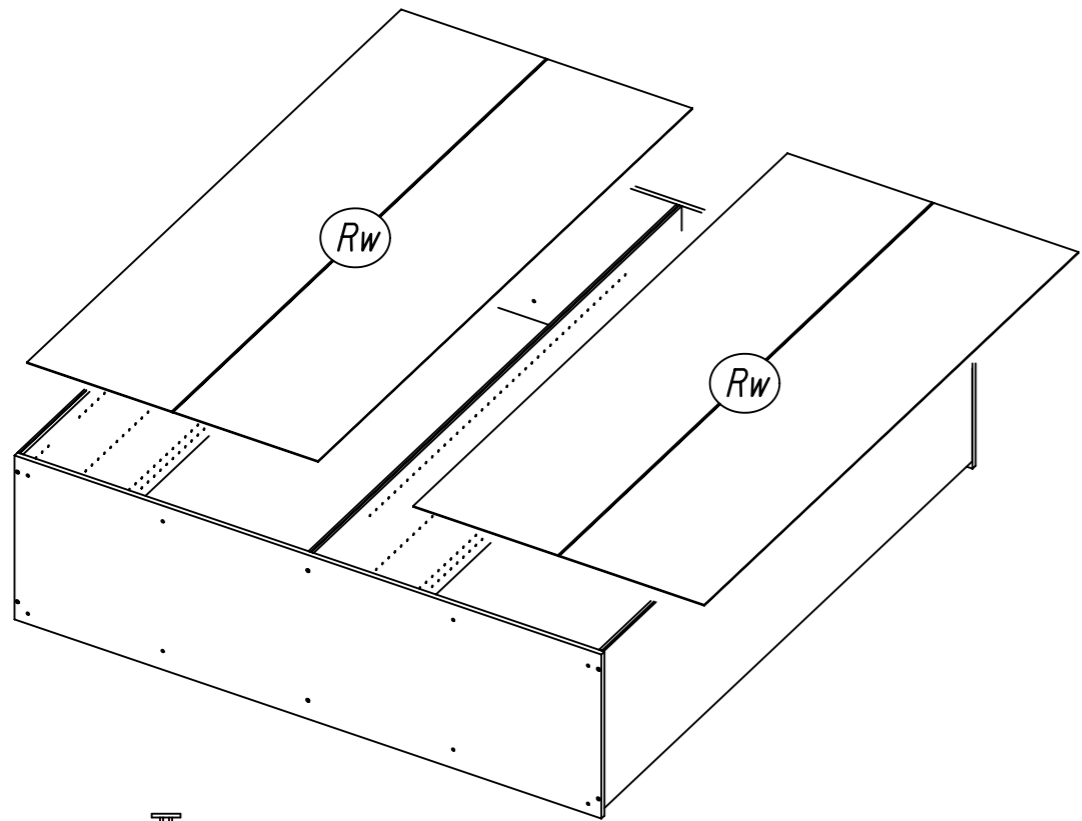


4

12x 768

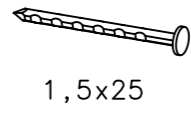


1,5x25

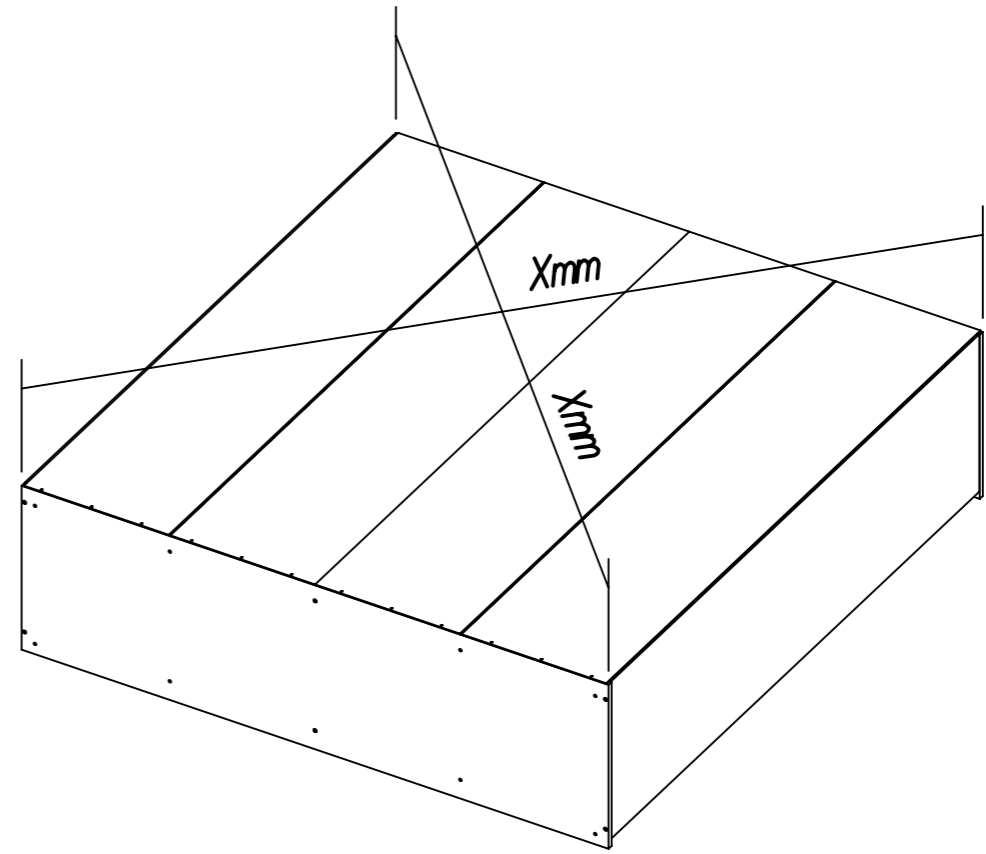
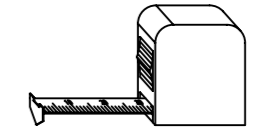


5

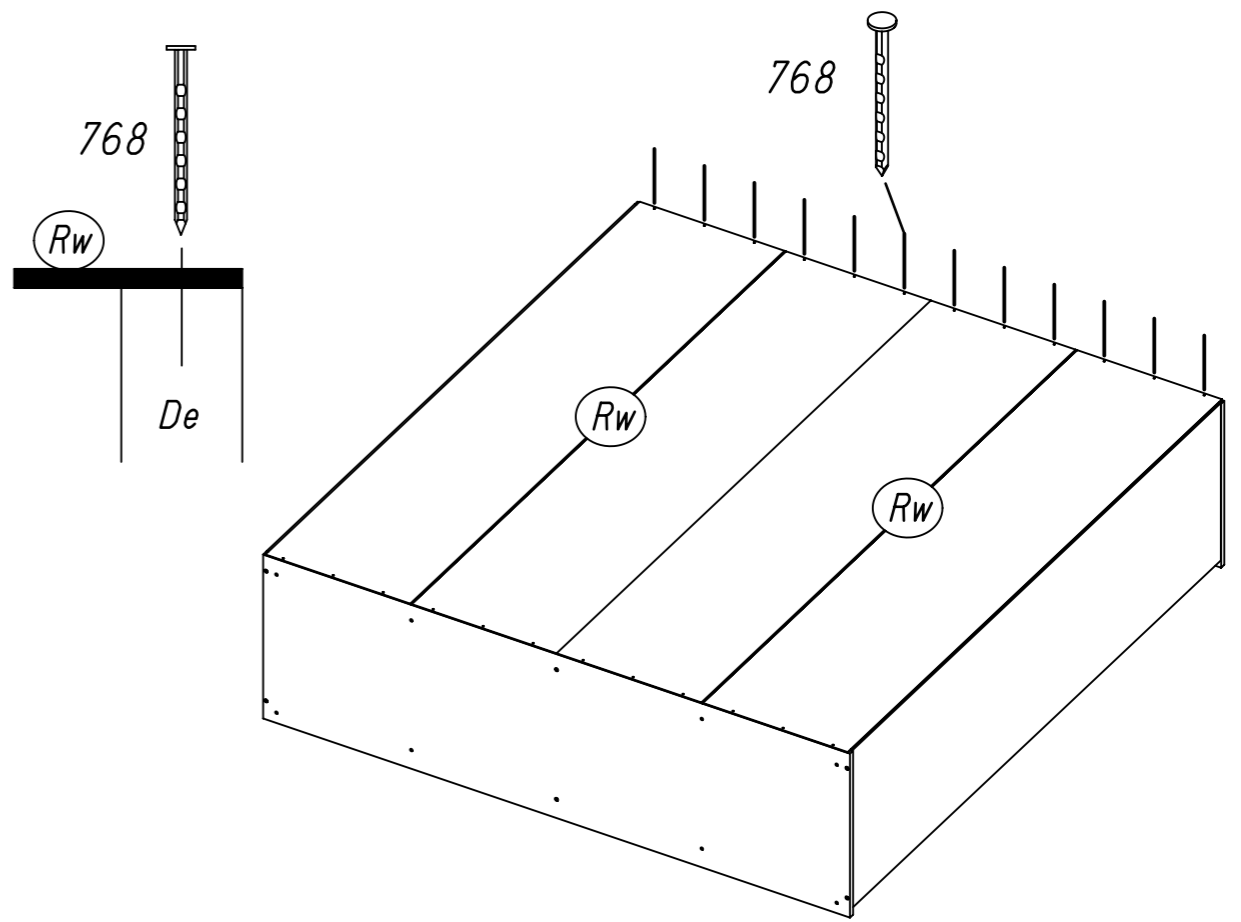
12x 768



1,5x25

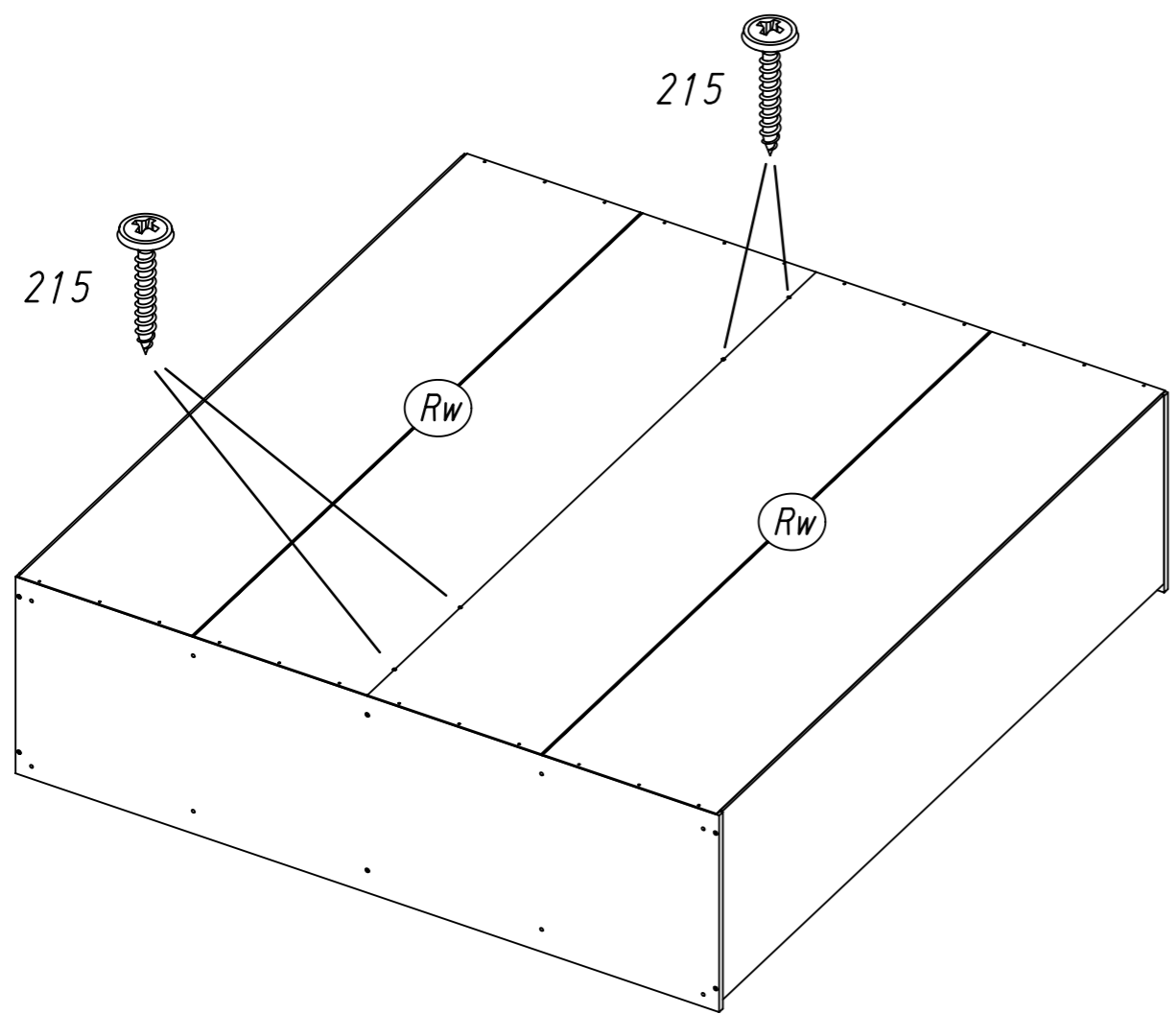
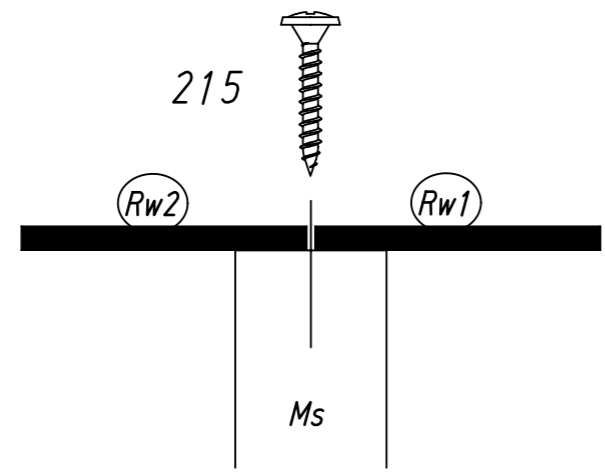
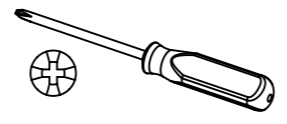


Xmm = Xmm



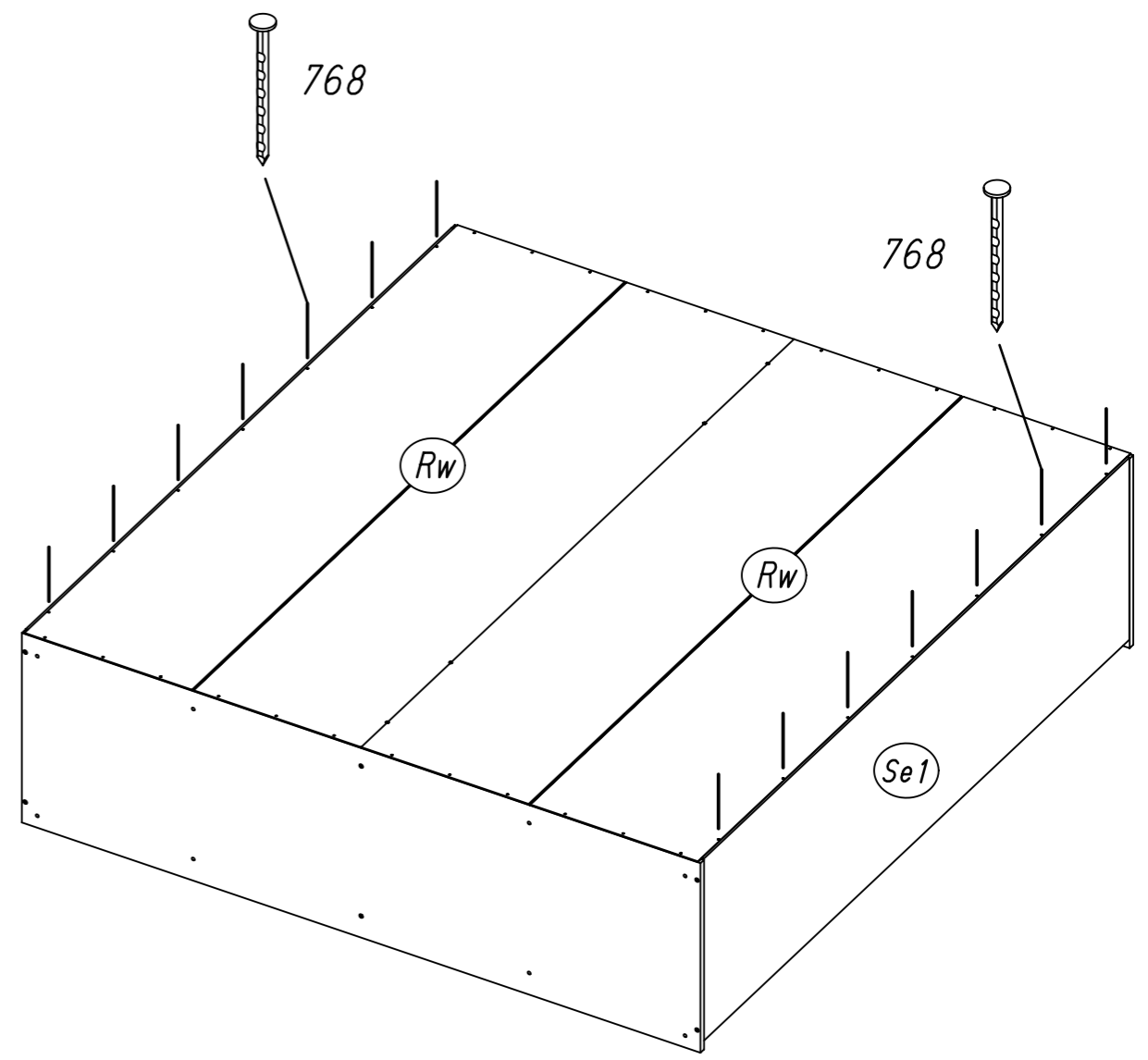
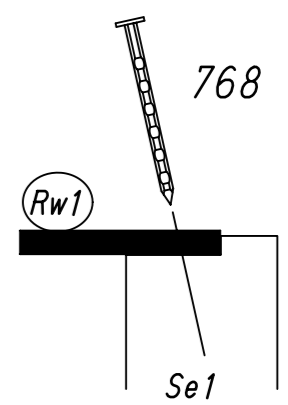
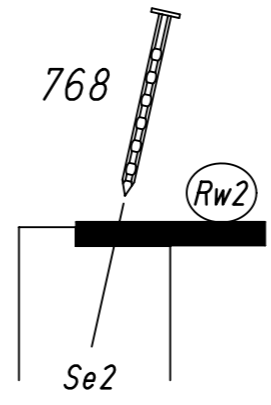
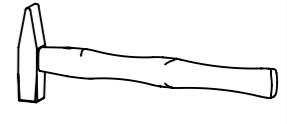
6

4x 215 3x20



7

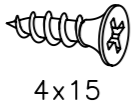
14x 768 1,5x25



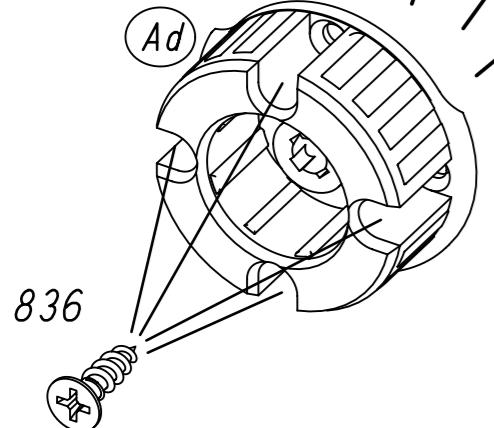
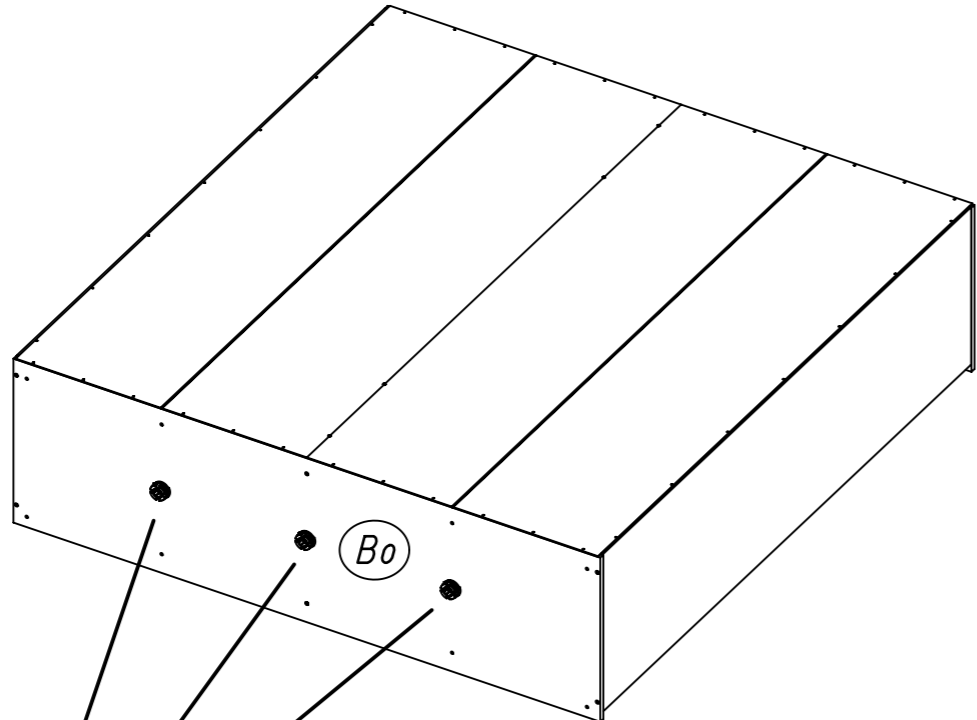
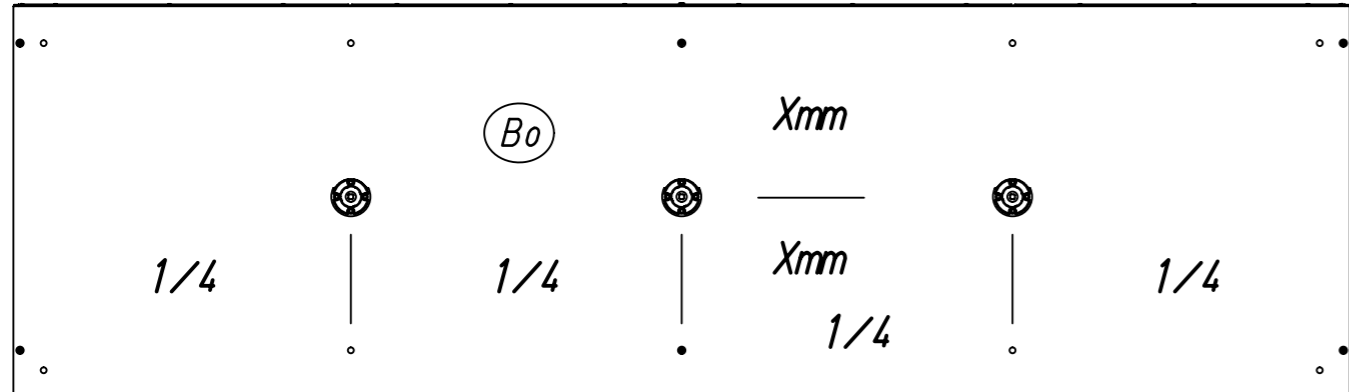
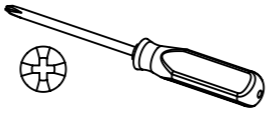
8

12x

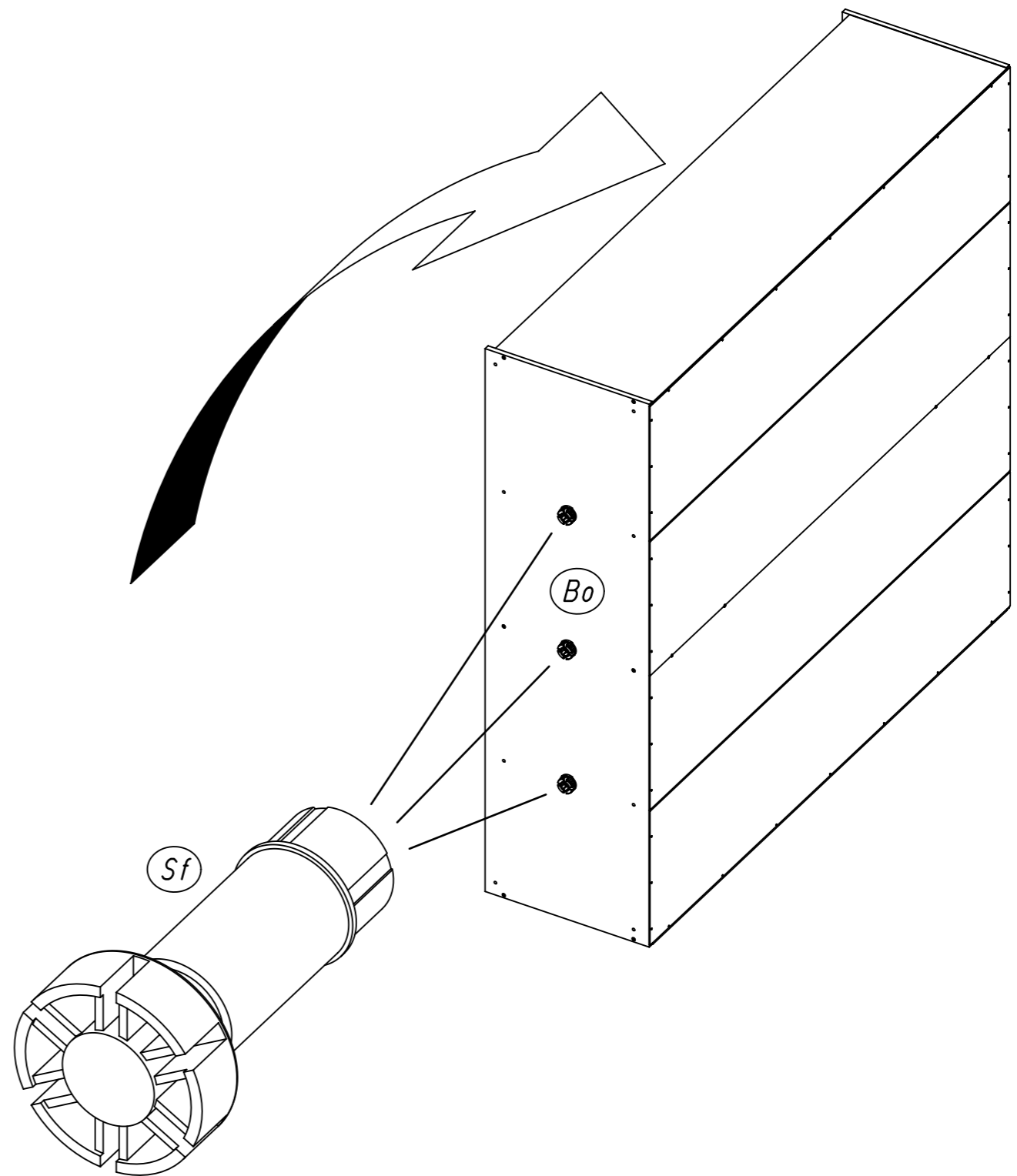
836



4x15



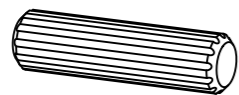
9



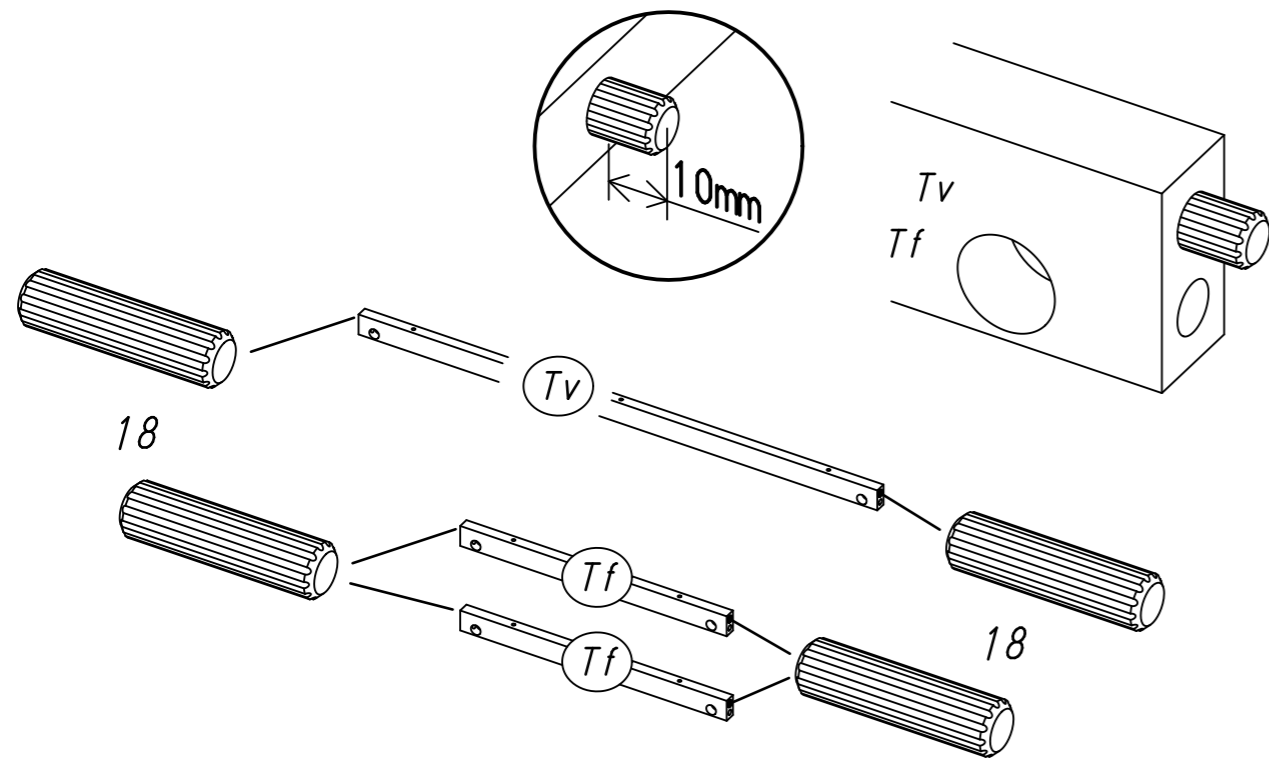
10

6x

18



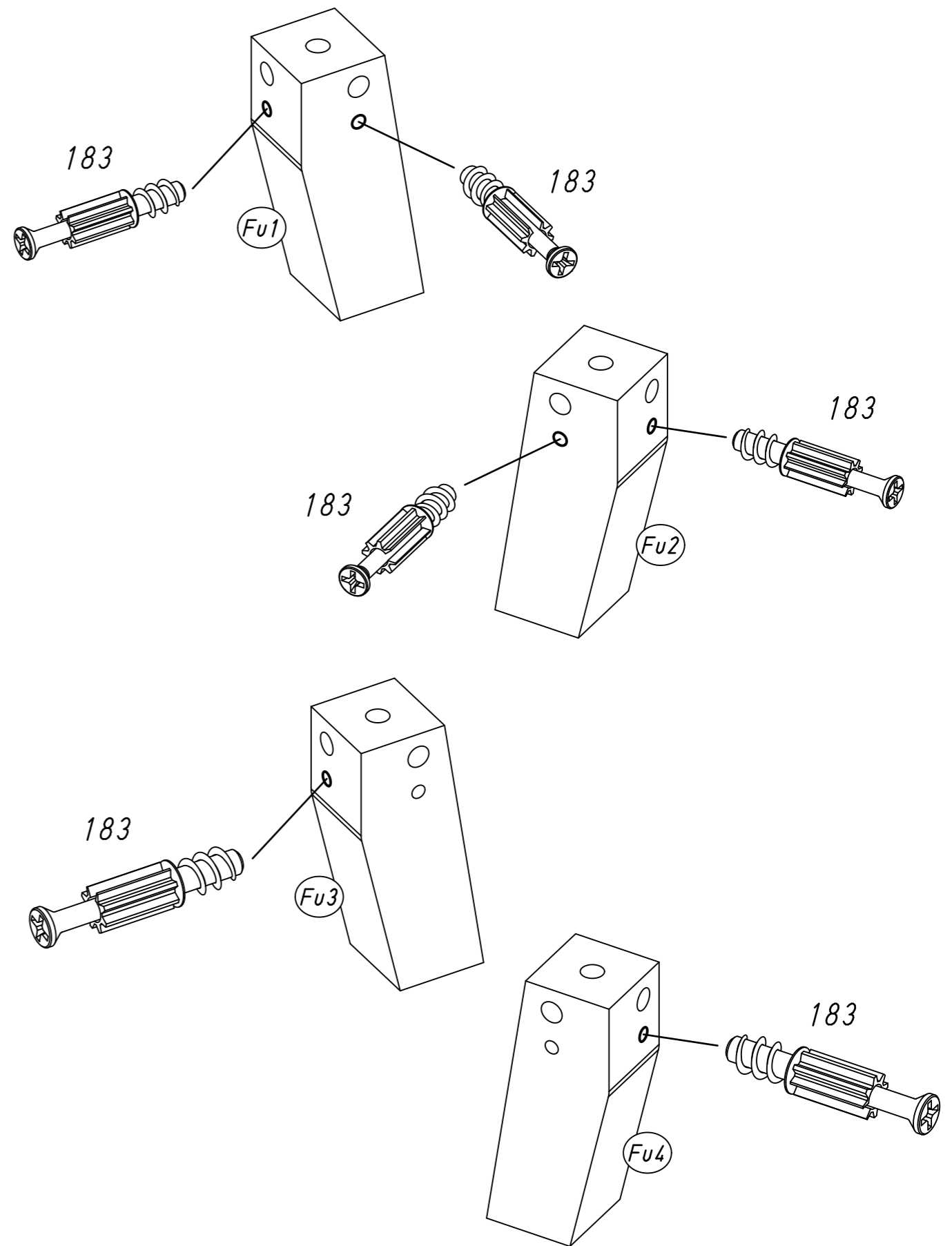
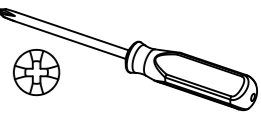
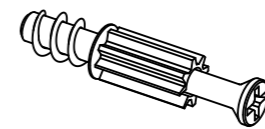
8x30



12

6x

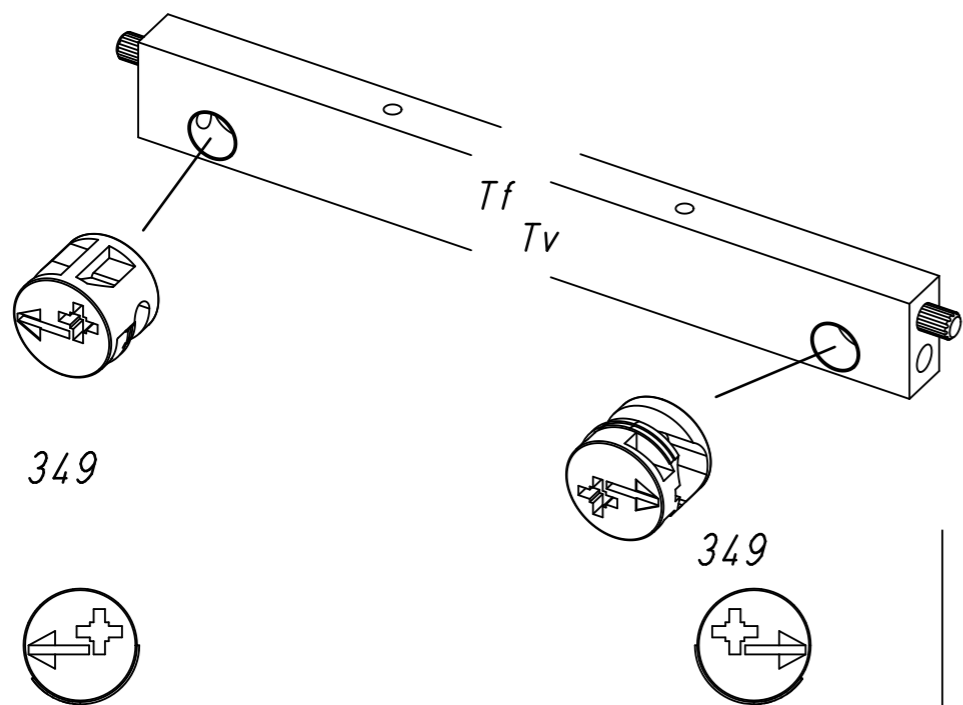
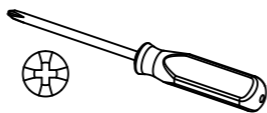
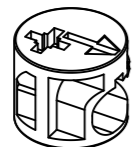
183



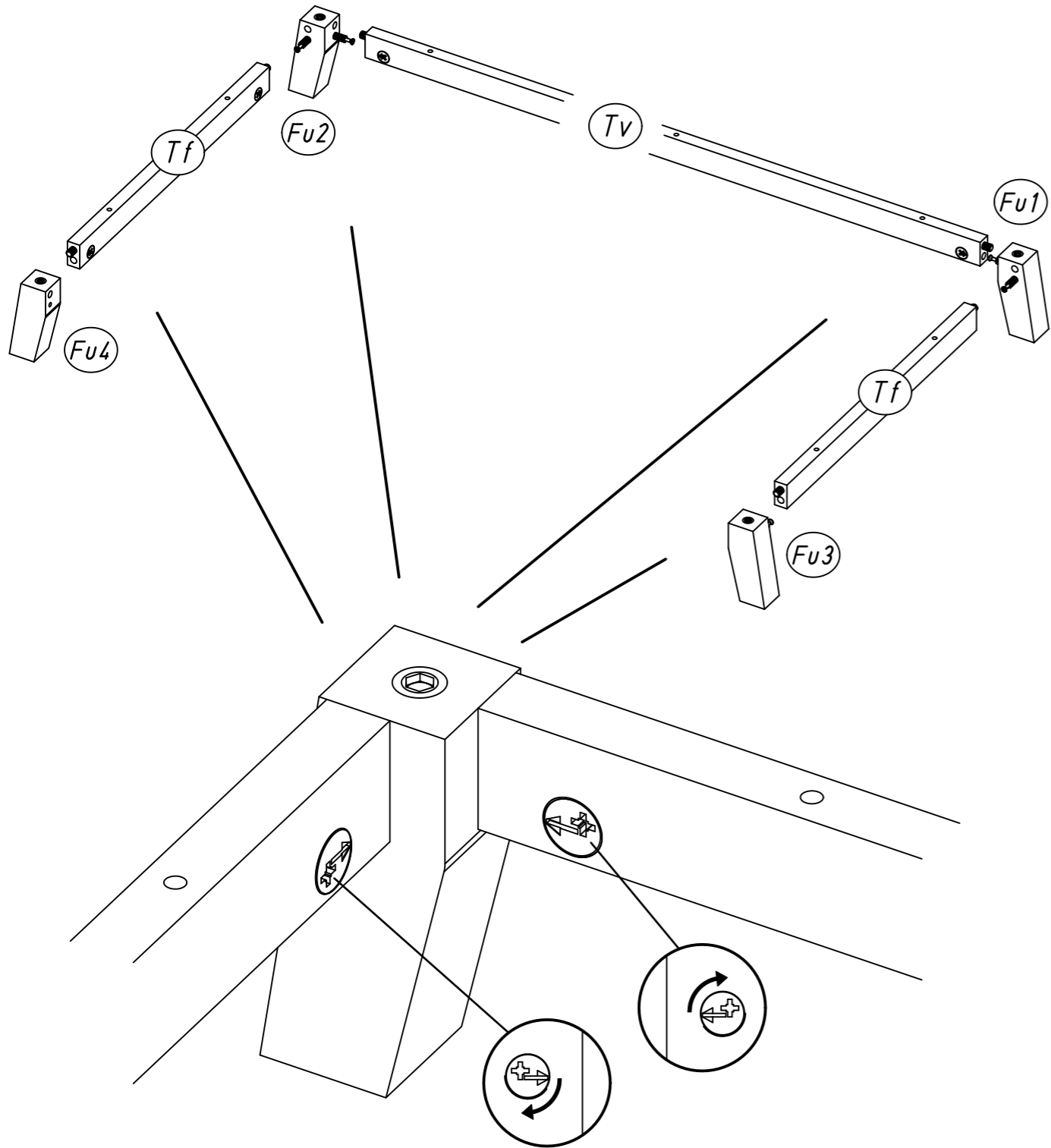
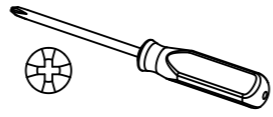
11

6x

173



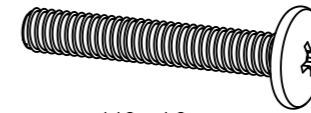
13



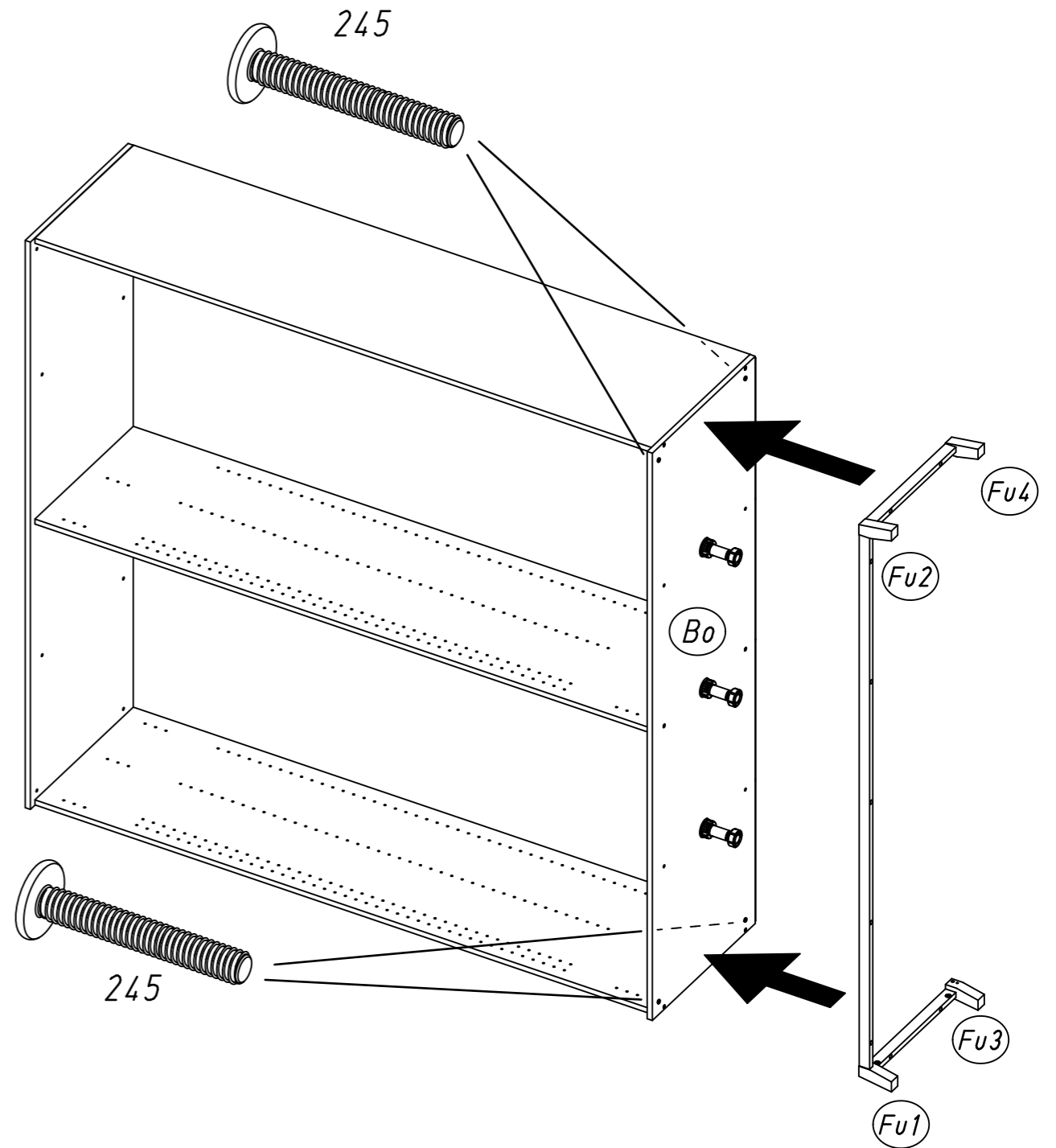
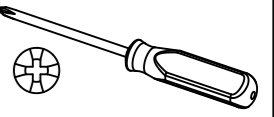
14

4x

245

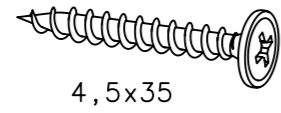


M6x40

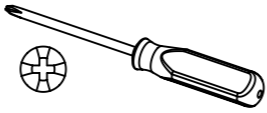


15

9x 214



4,5x35



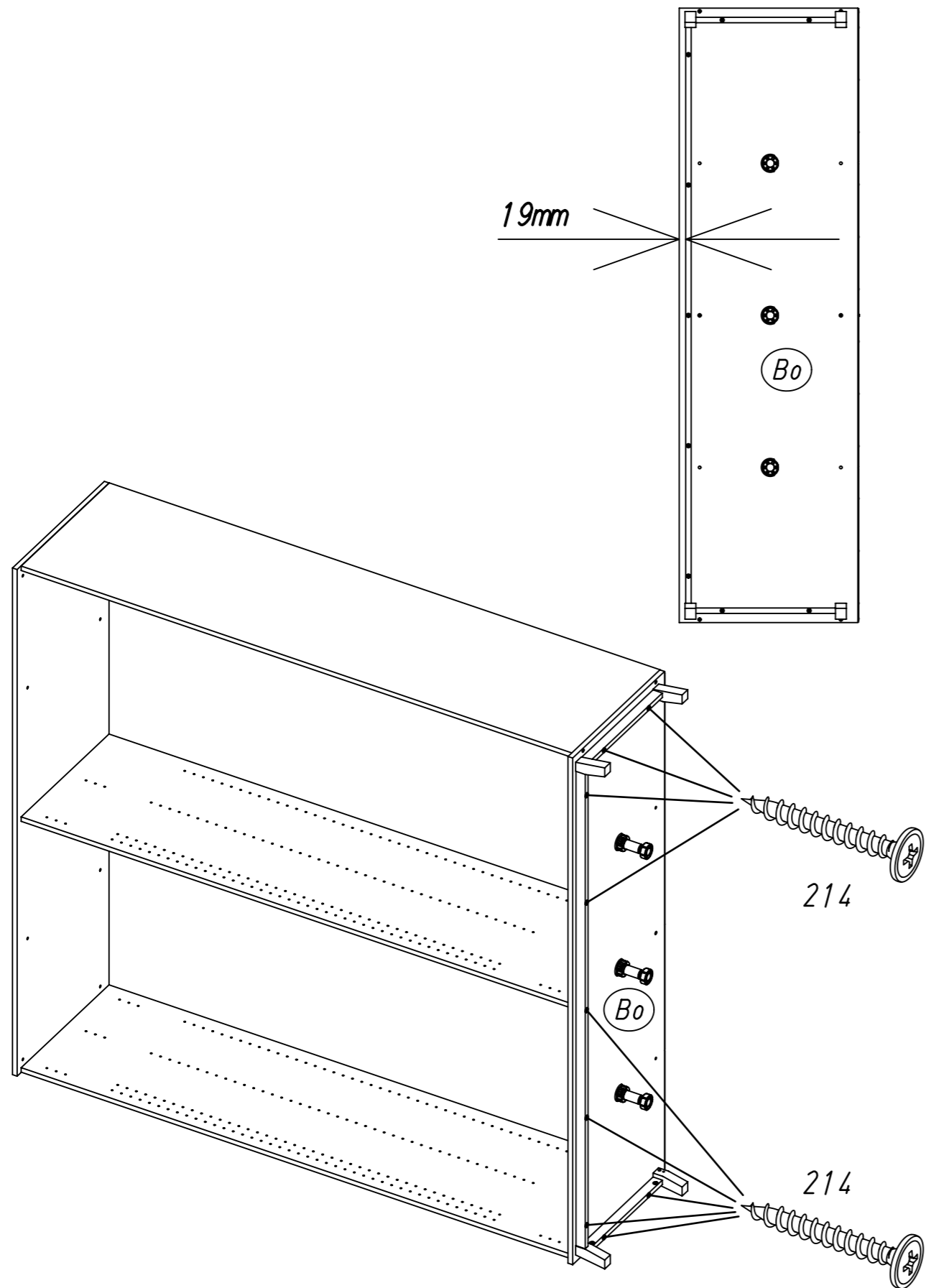
19mm

Bo

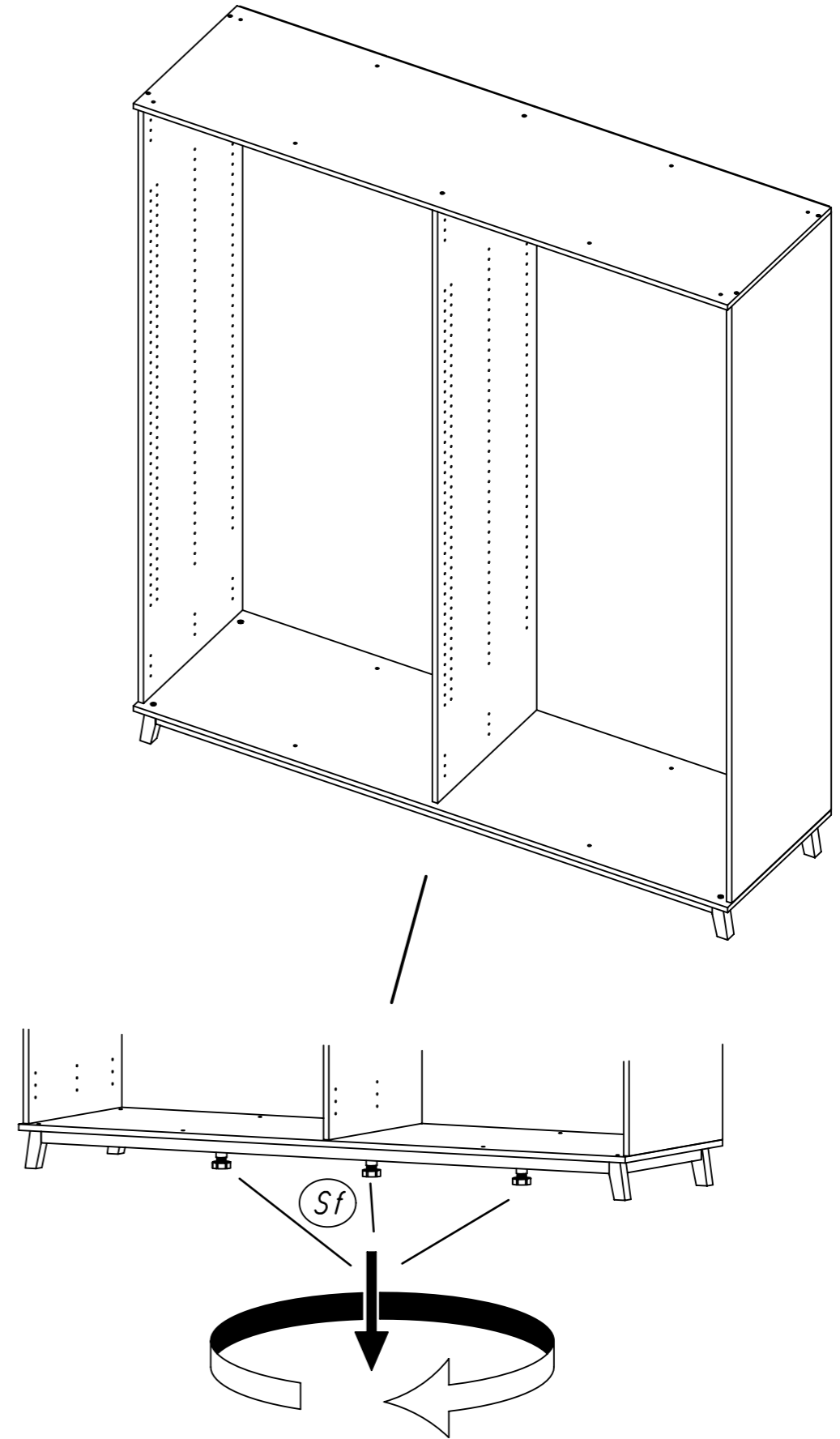
214

Bo

214



16

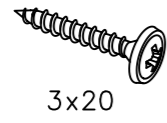


Sf

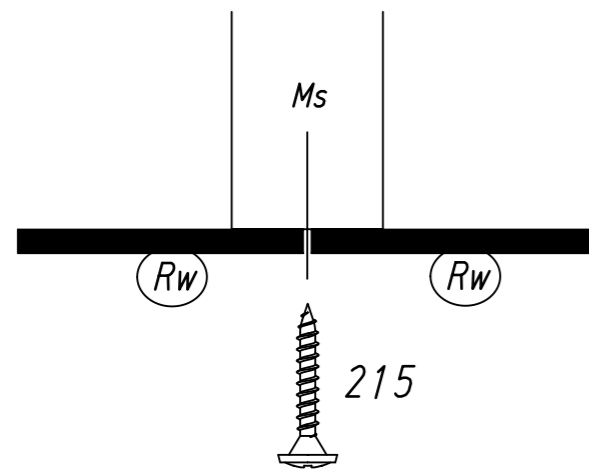
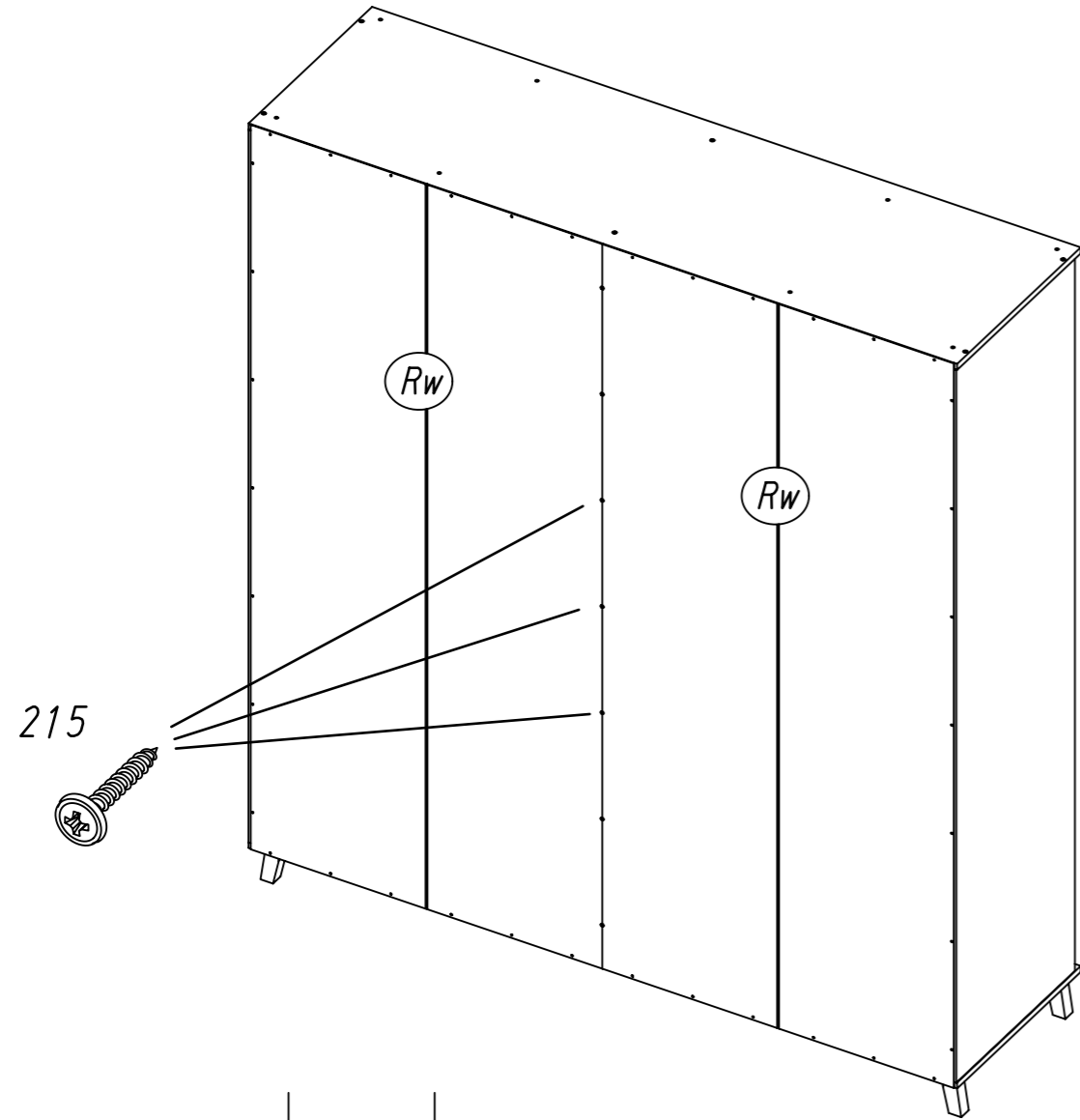
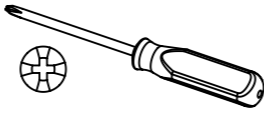
21.

17

3x 215



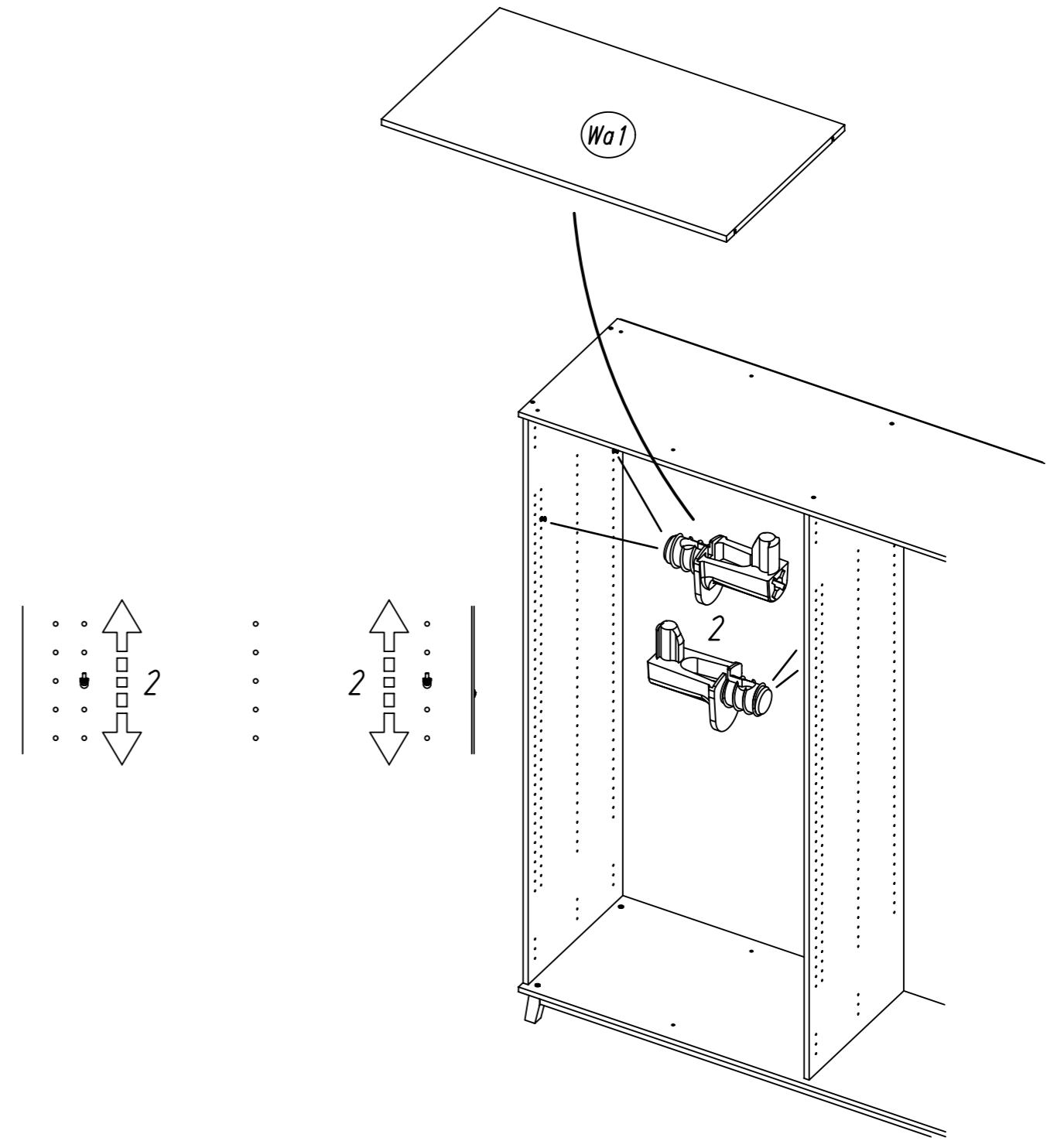
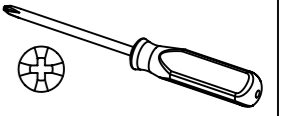
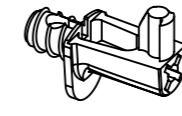
3x20



22.

18

4x 2



19

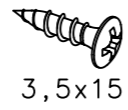
2x

279

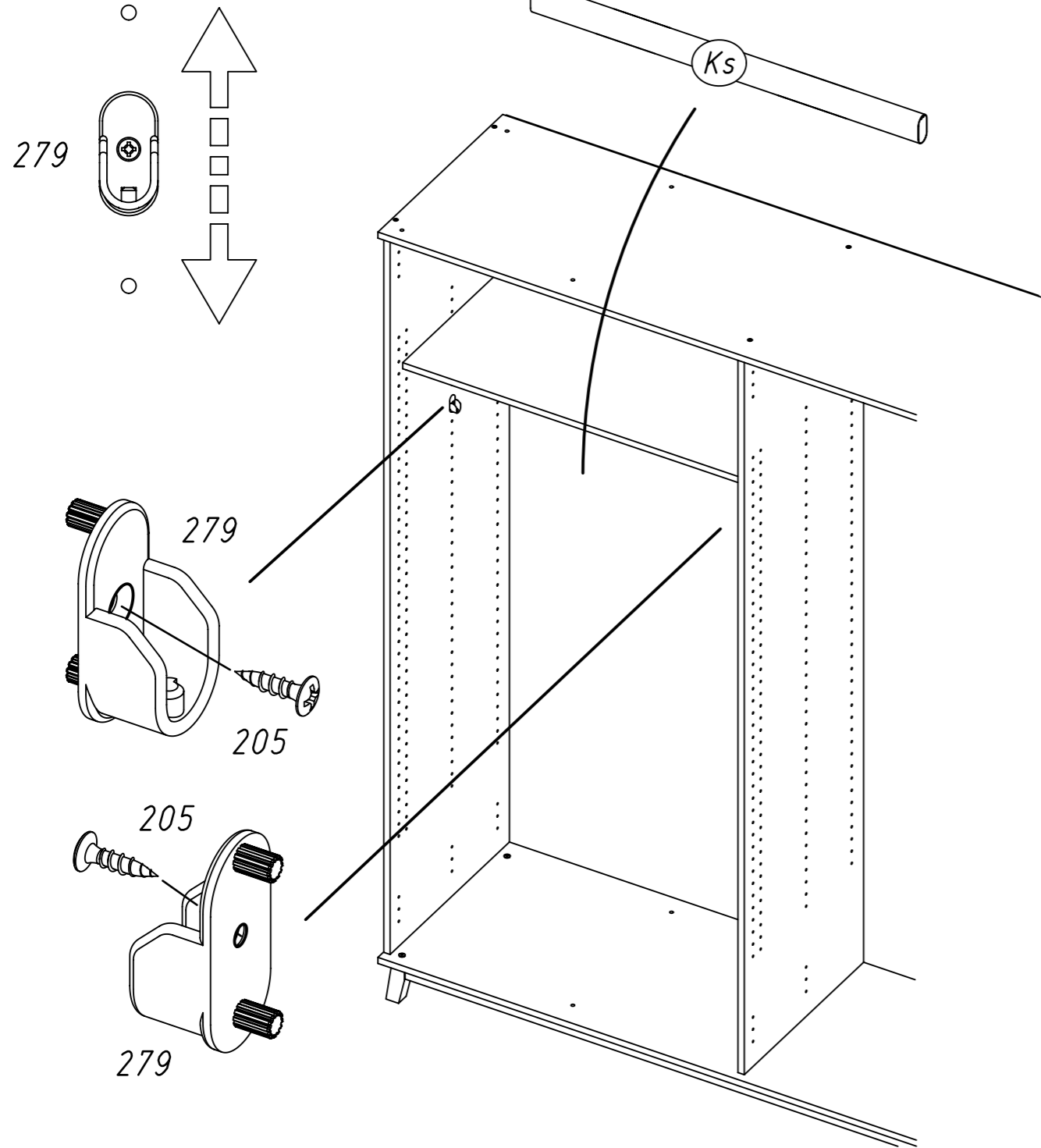
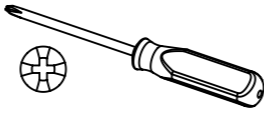


2x

205



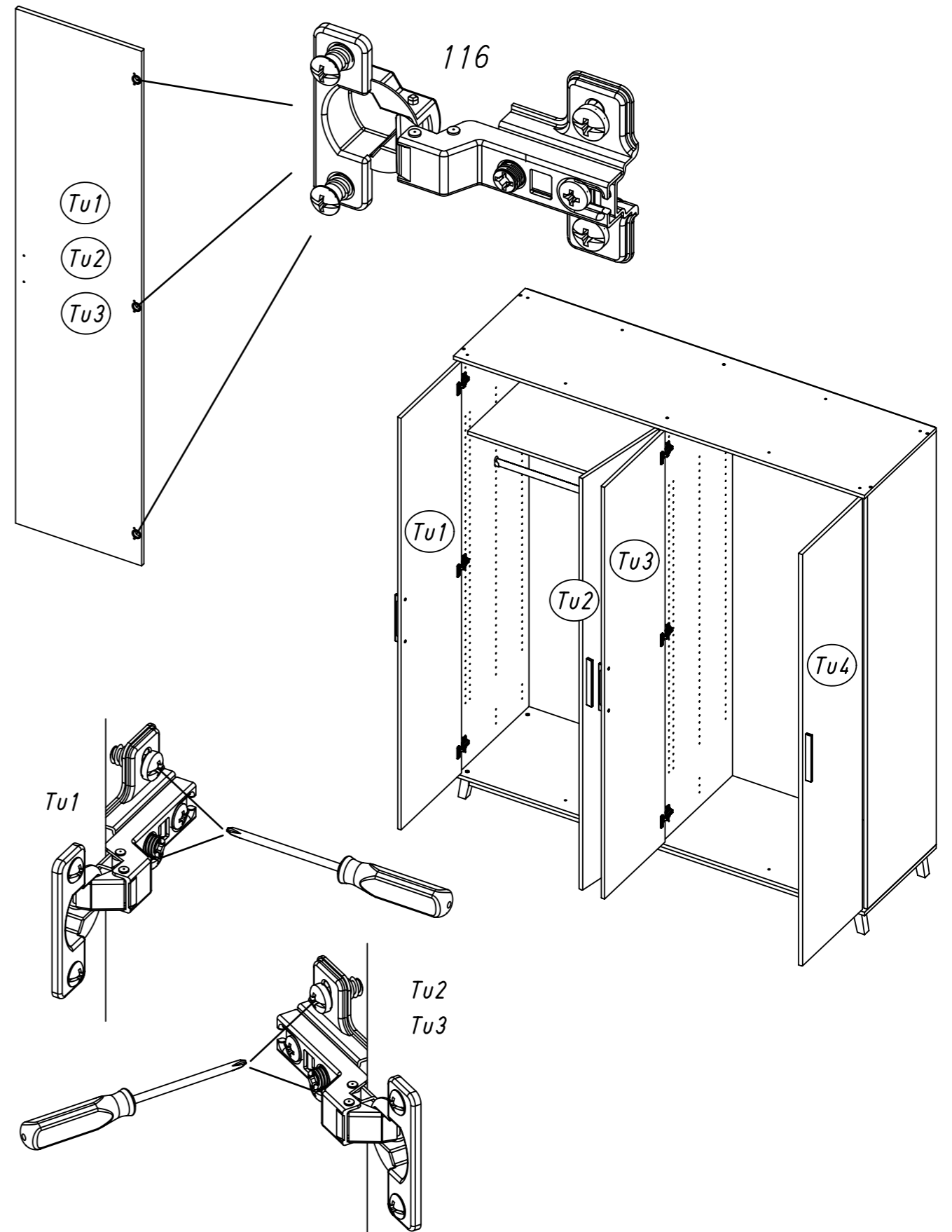
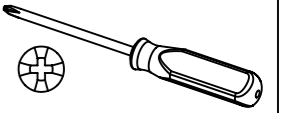
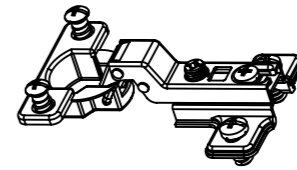
3,5x15



20

12x

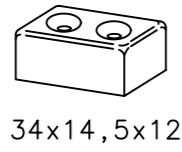
116



21

4x

769



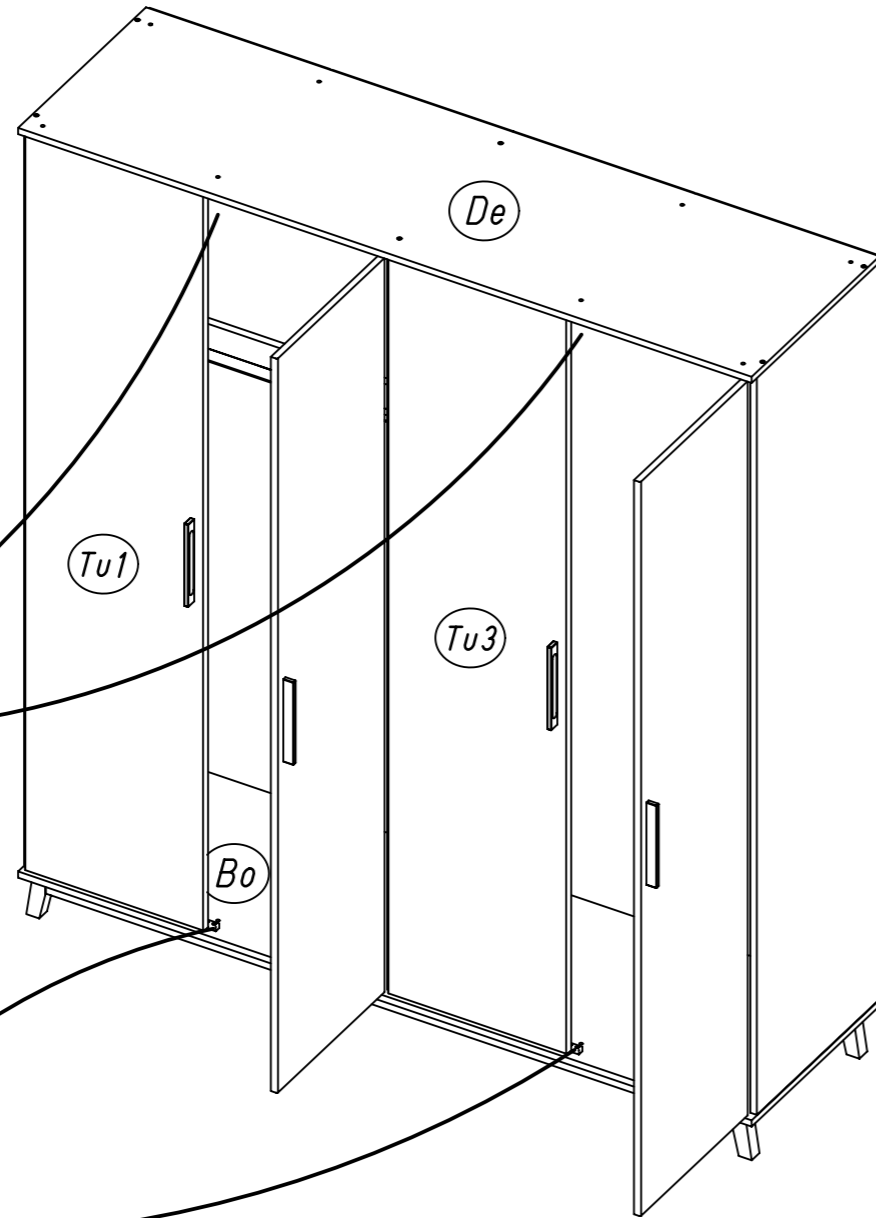
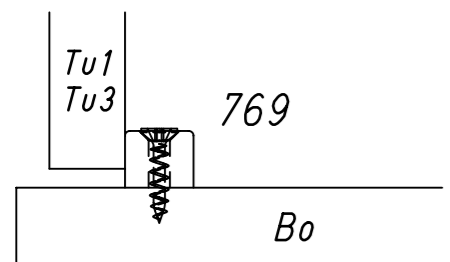
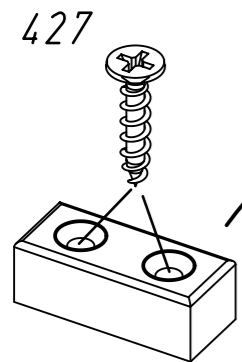
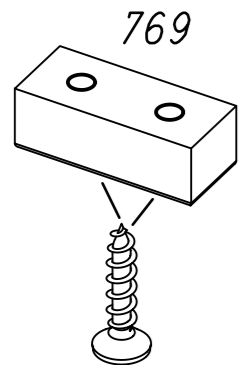
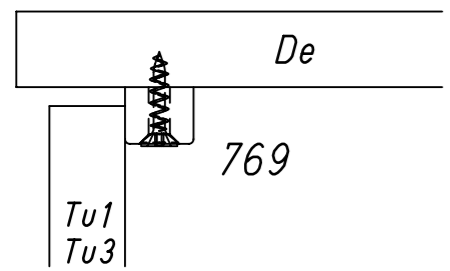
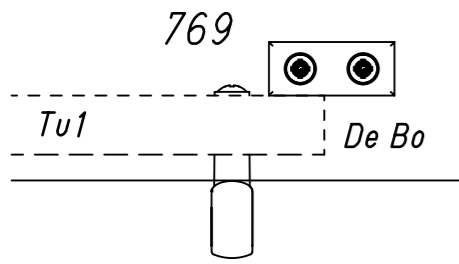
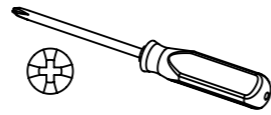
34x14,5x12

8x

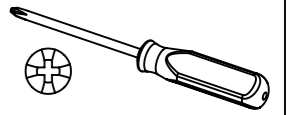
427



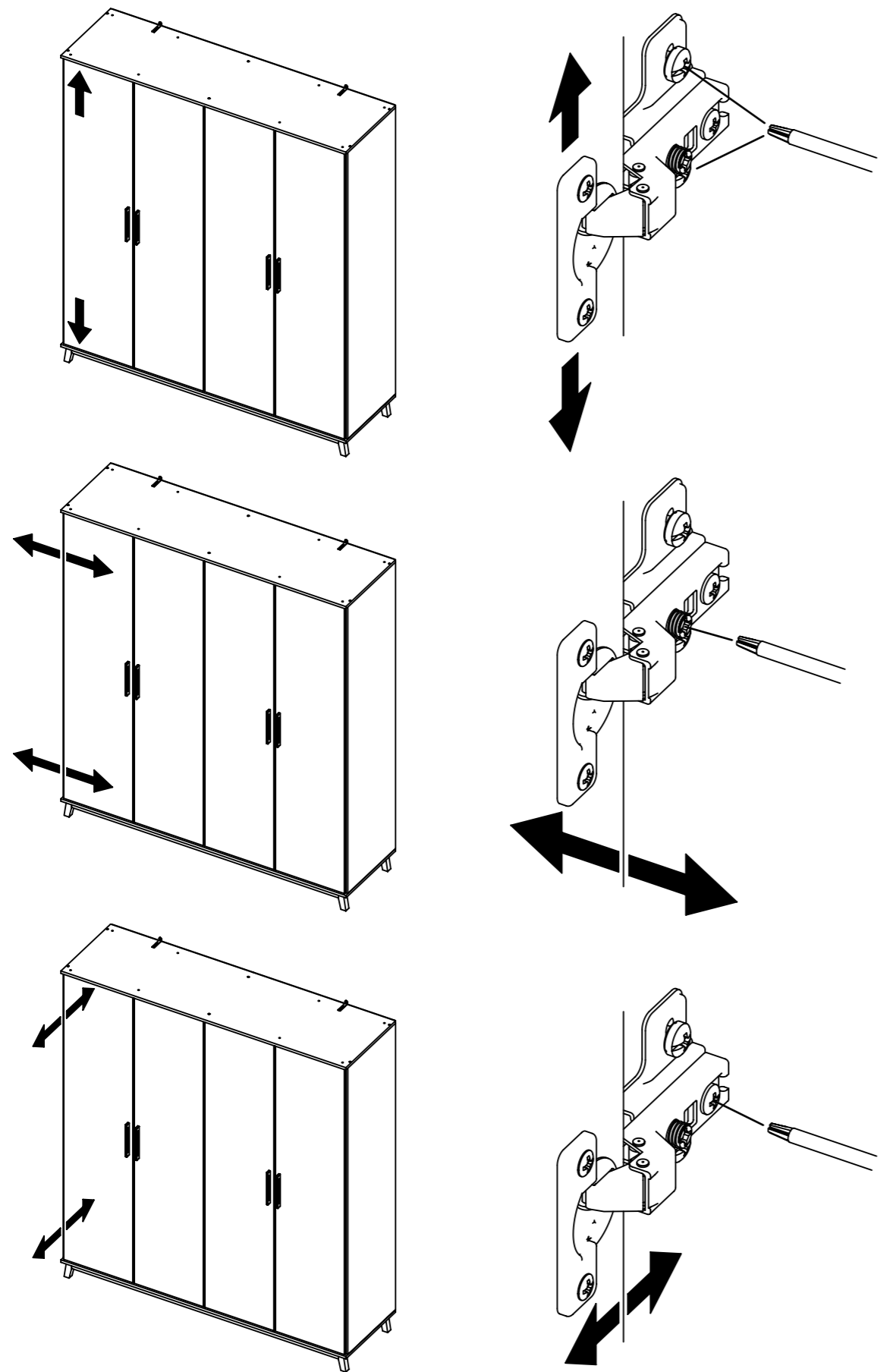
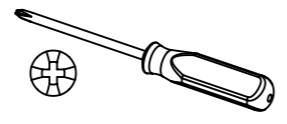
4x20



22



23



24

12x 405

