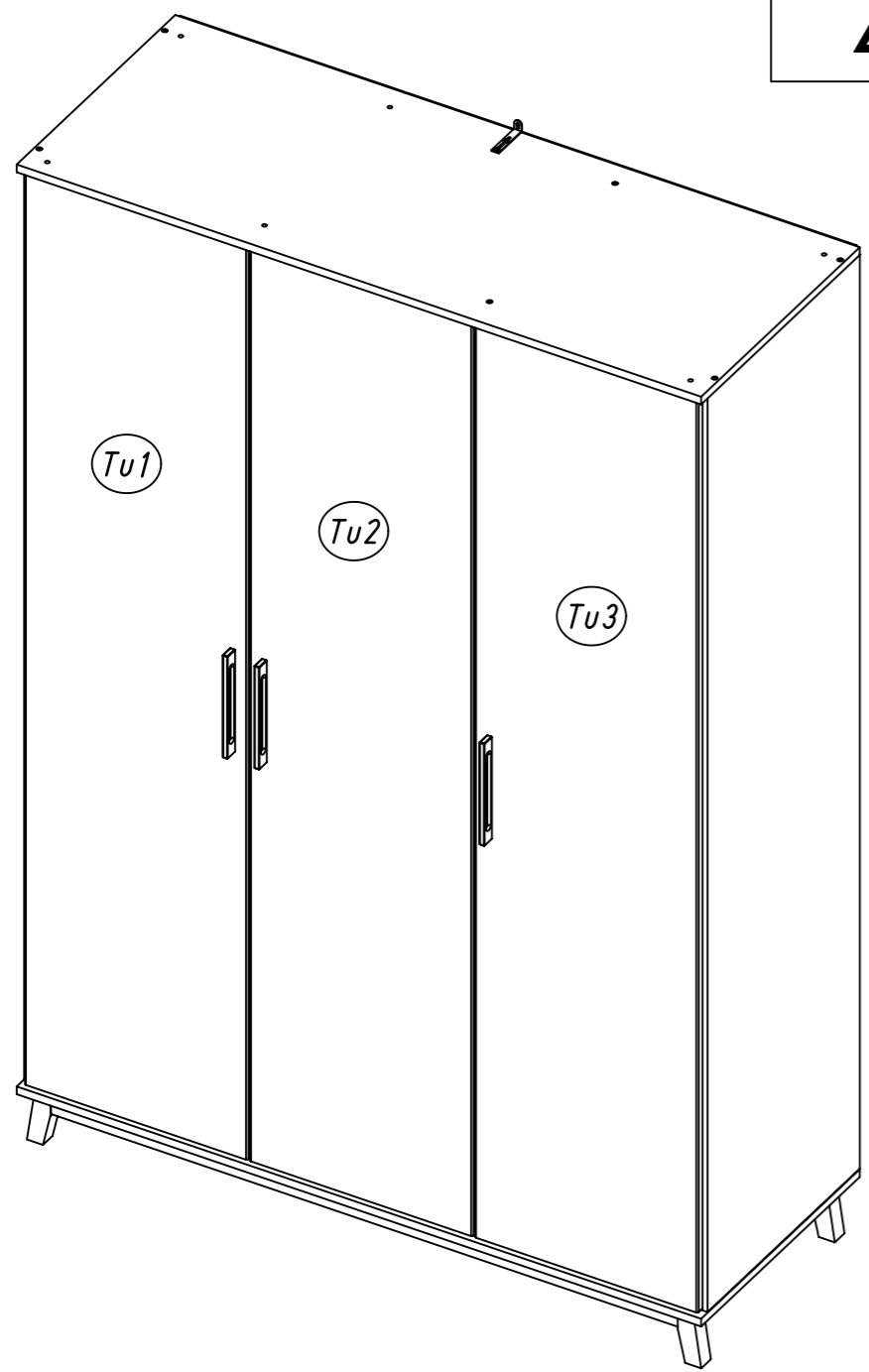
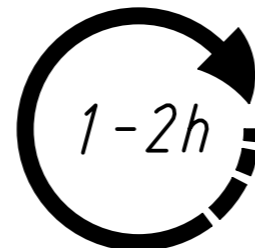
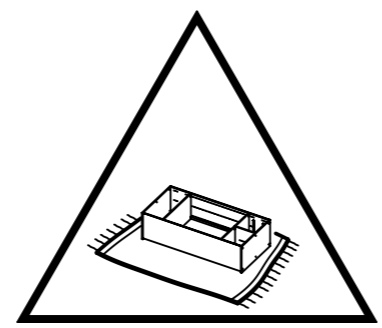
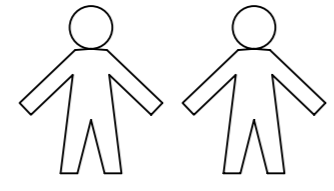
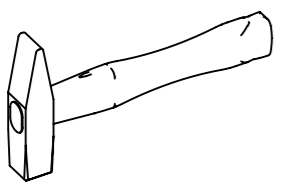
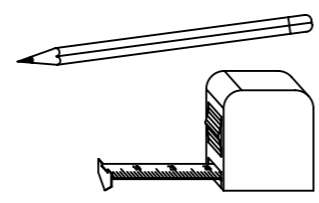
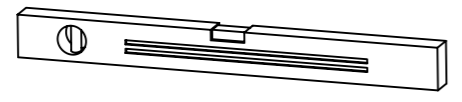
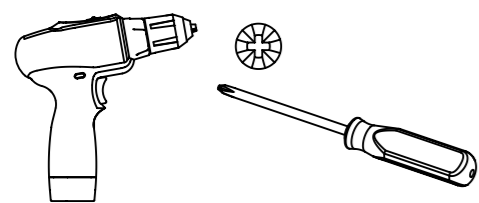


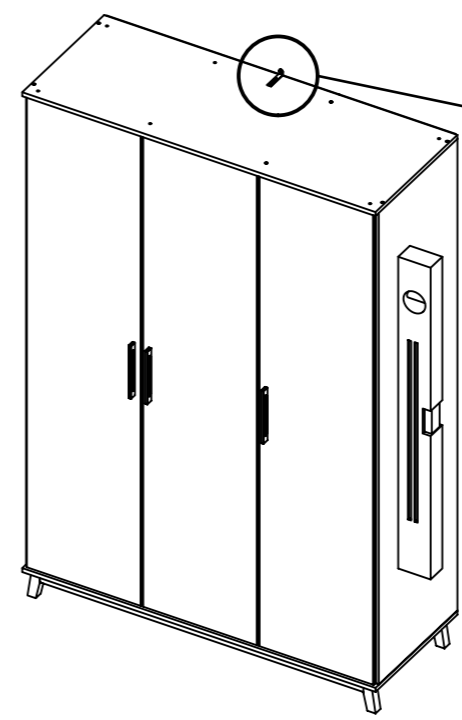
1.

M2412_01

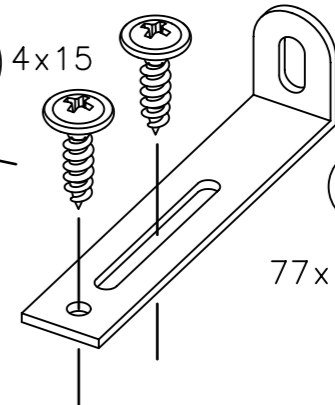
rauch



2.

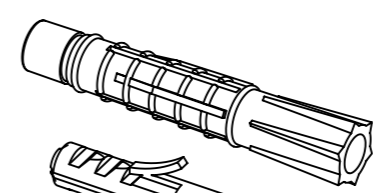
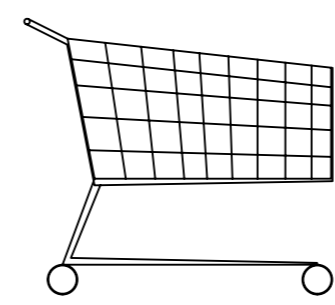
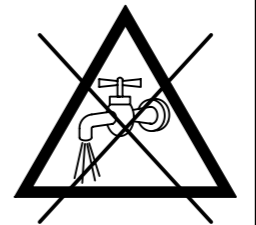
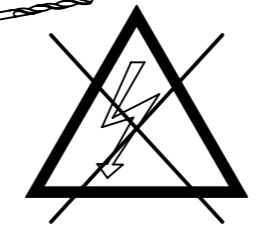
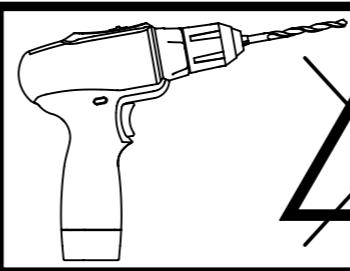
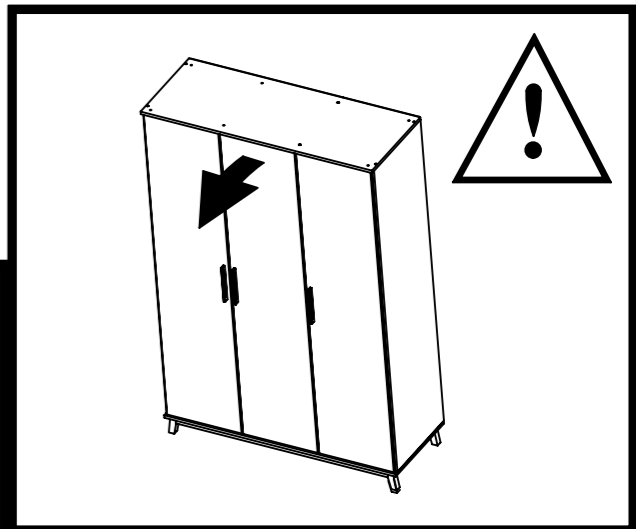


201 4x15



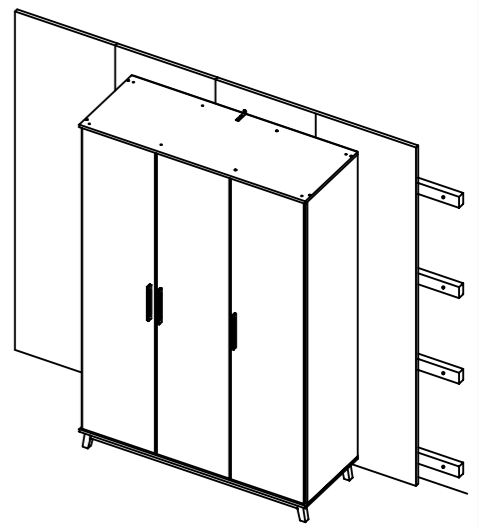
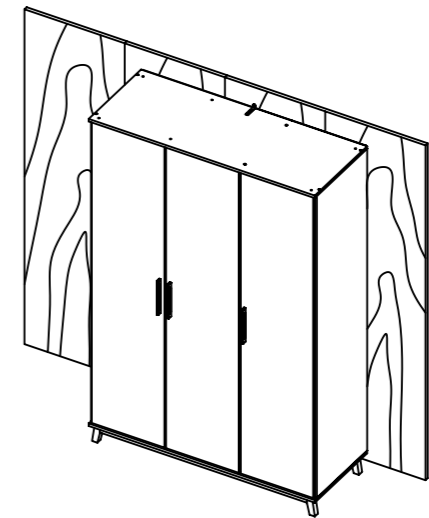
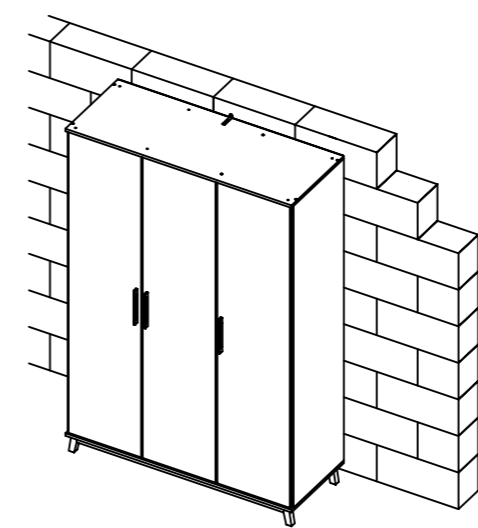
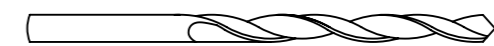
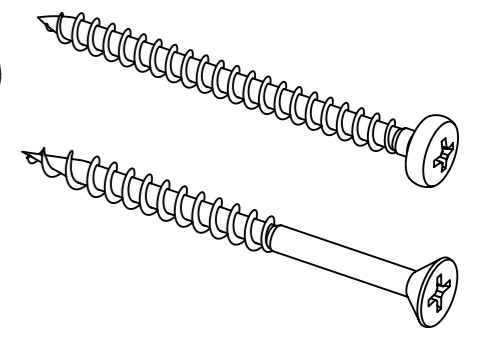
68

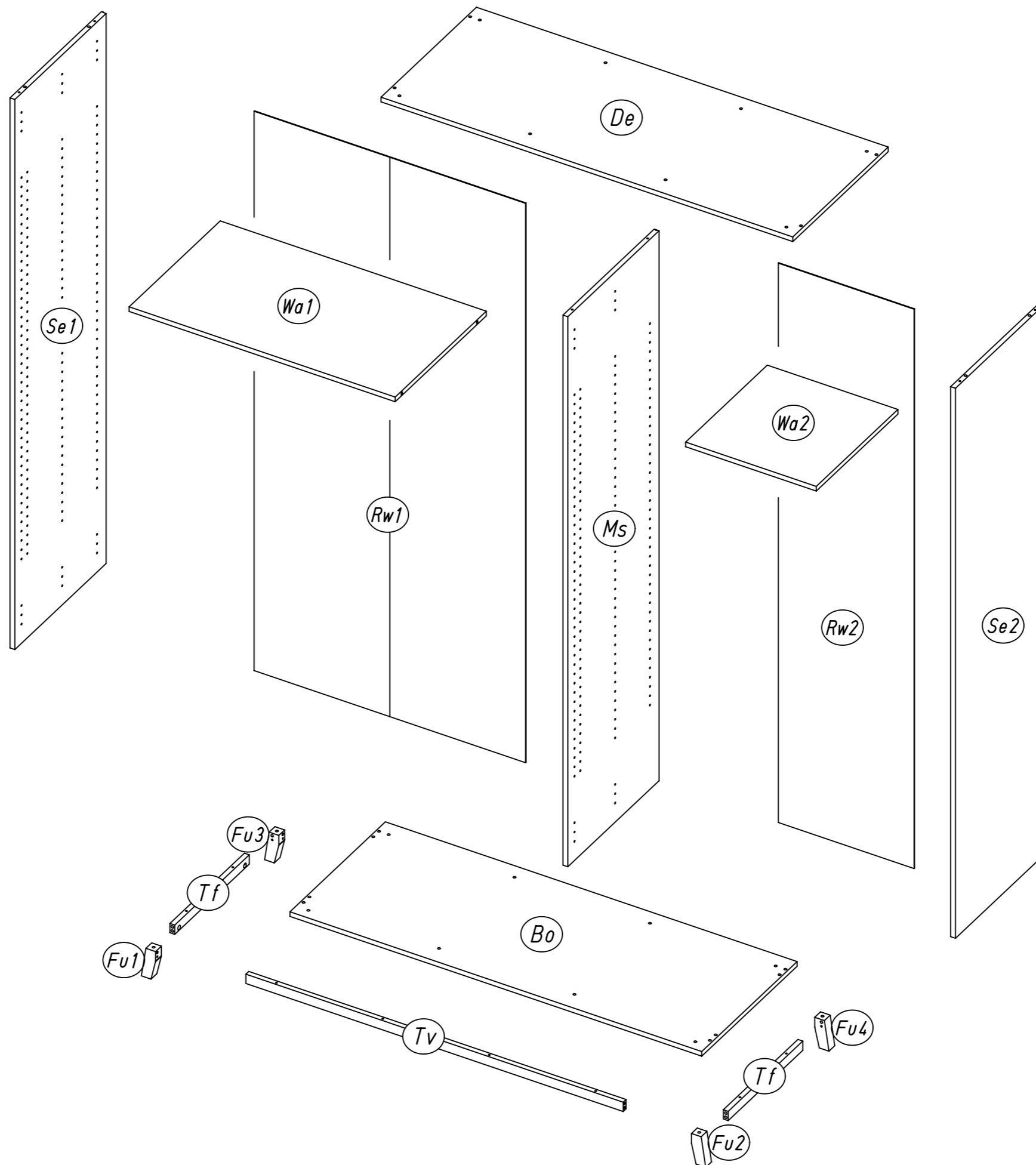
77x15x22



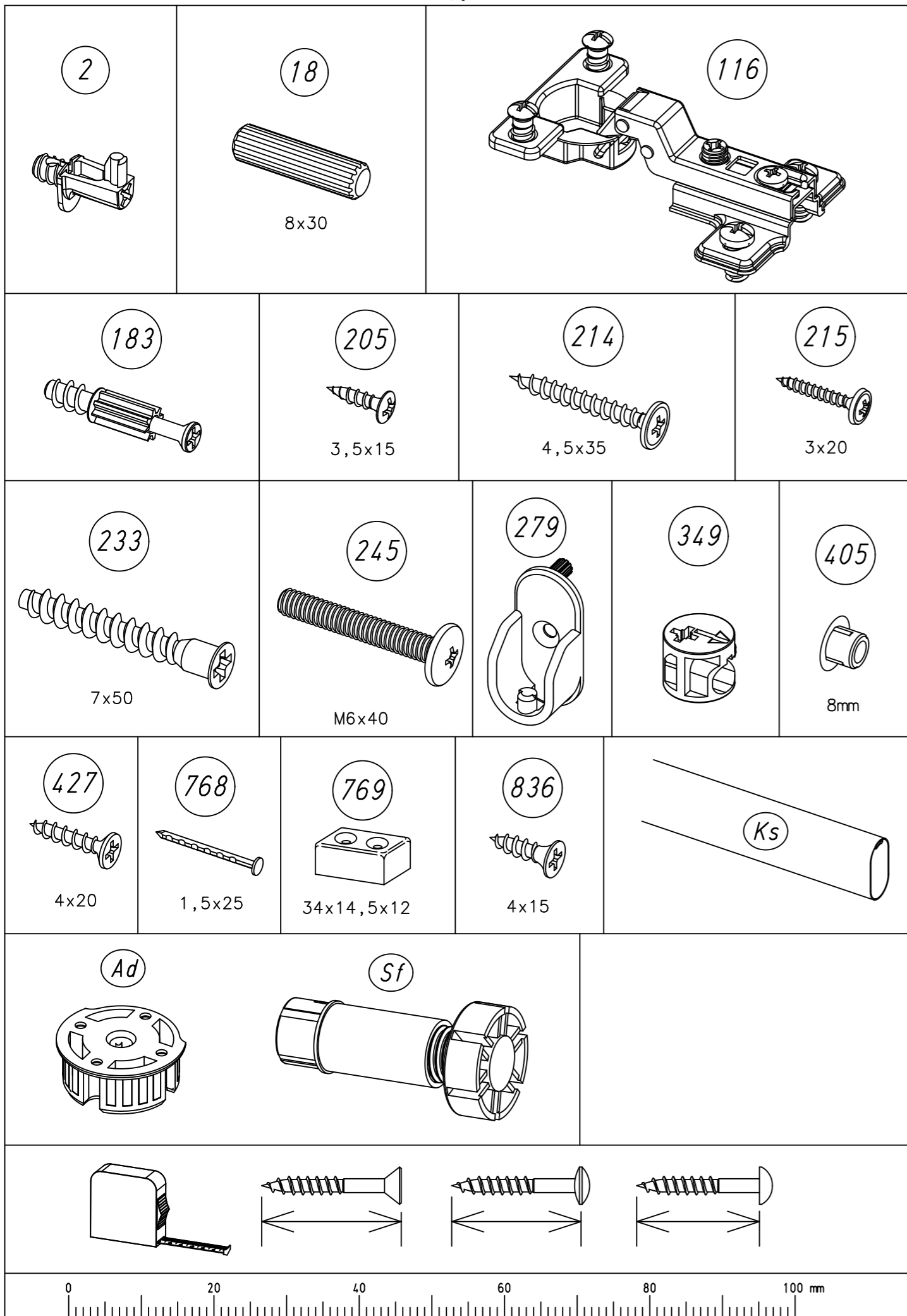
?

ØXmm



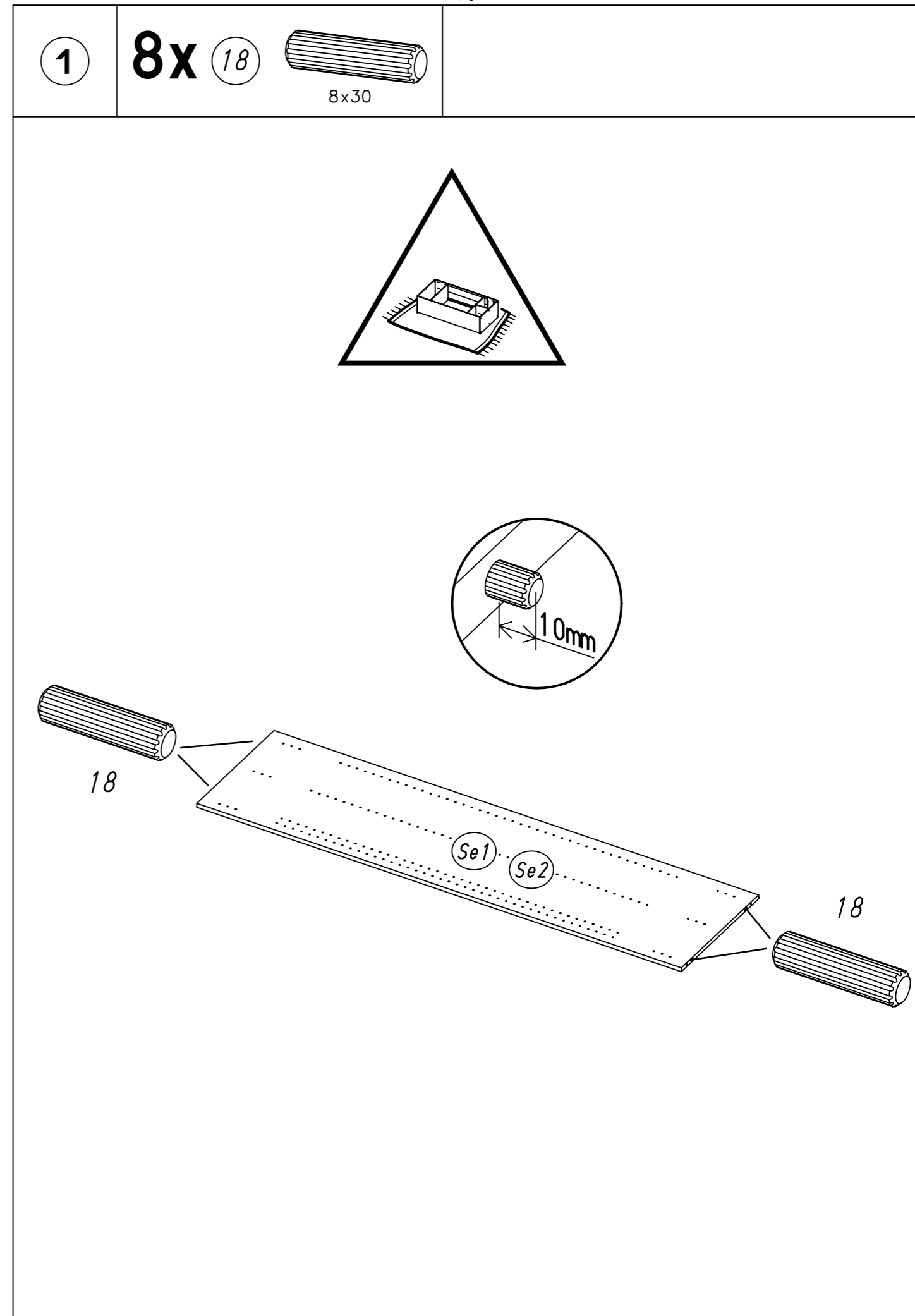


5.



M2412

6.

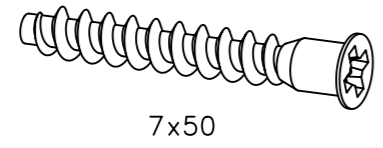


M2412

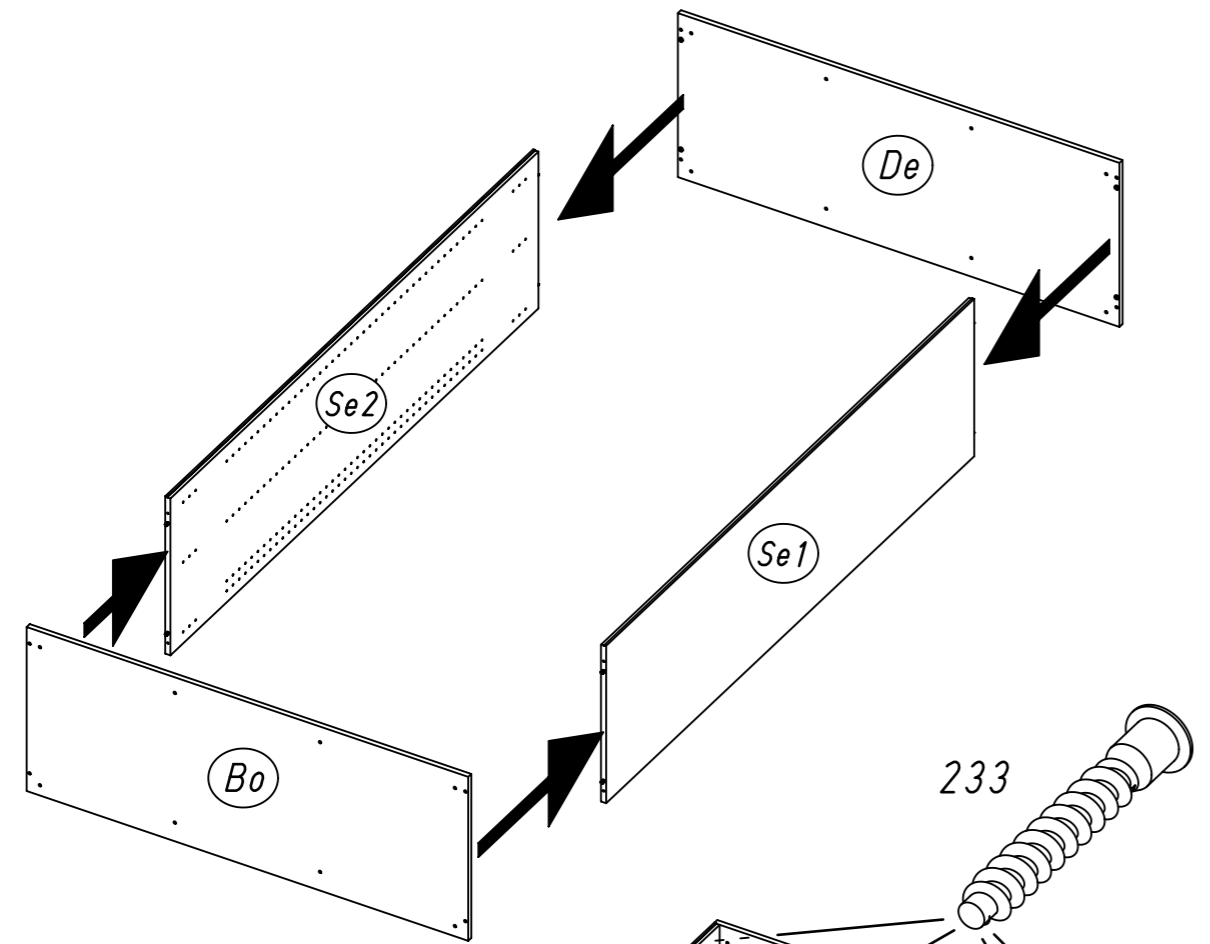
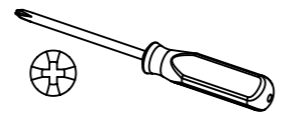
7.

2

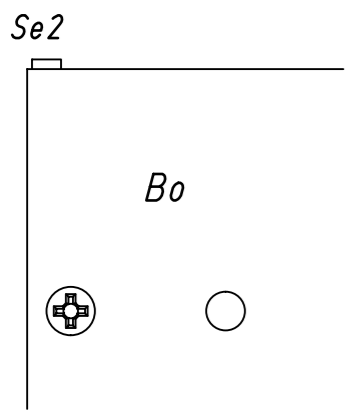
8x 233



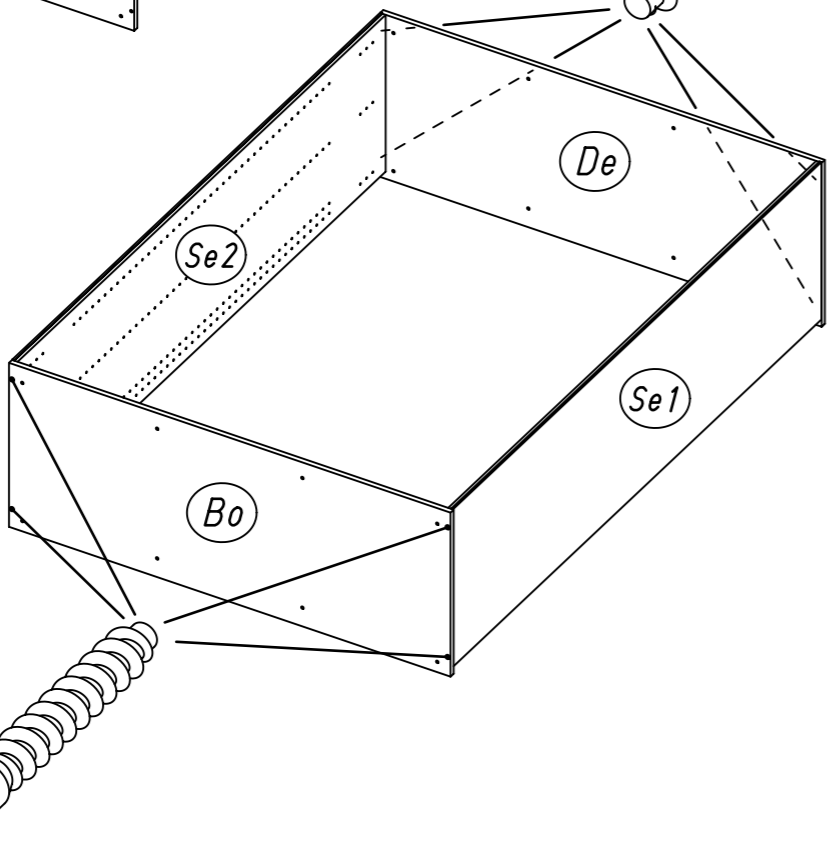
7x50



233



233

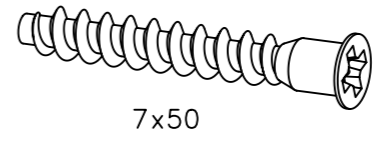


M2412

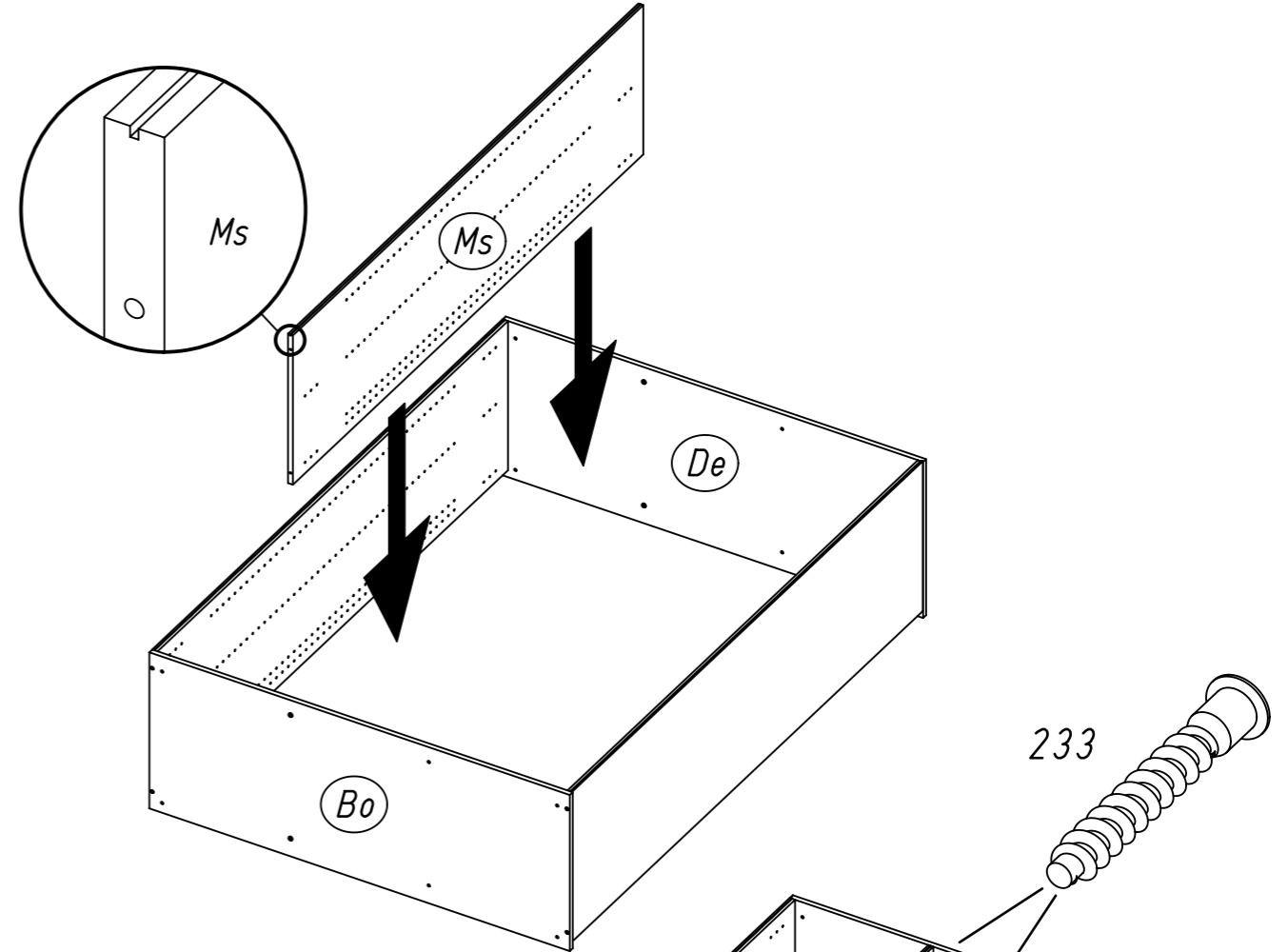
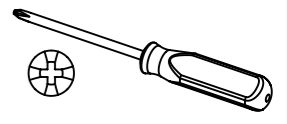
8.

3

4x 233

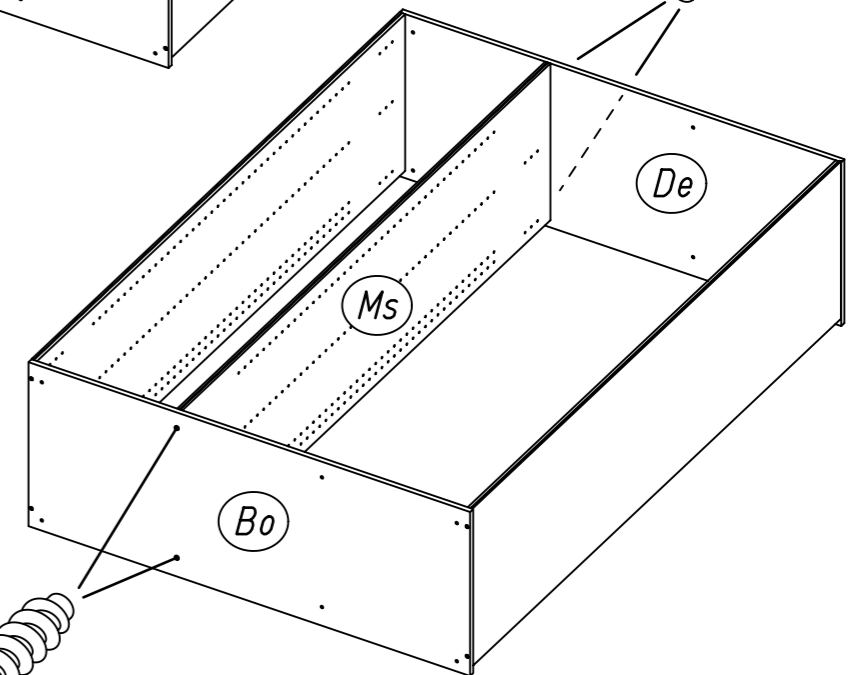


7x50



233

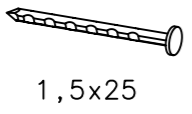
233



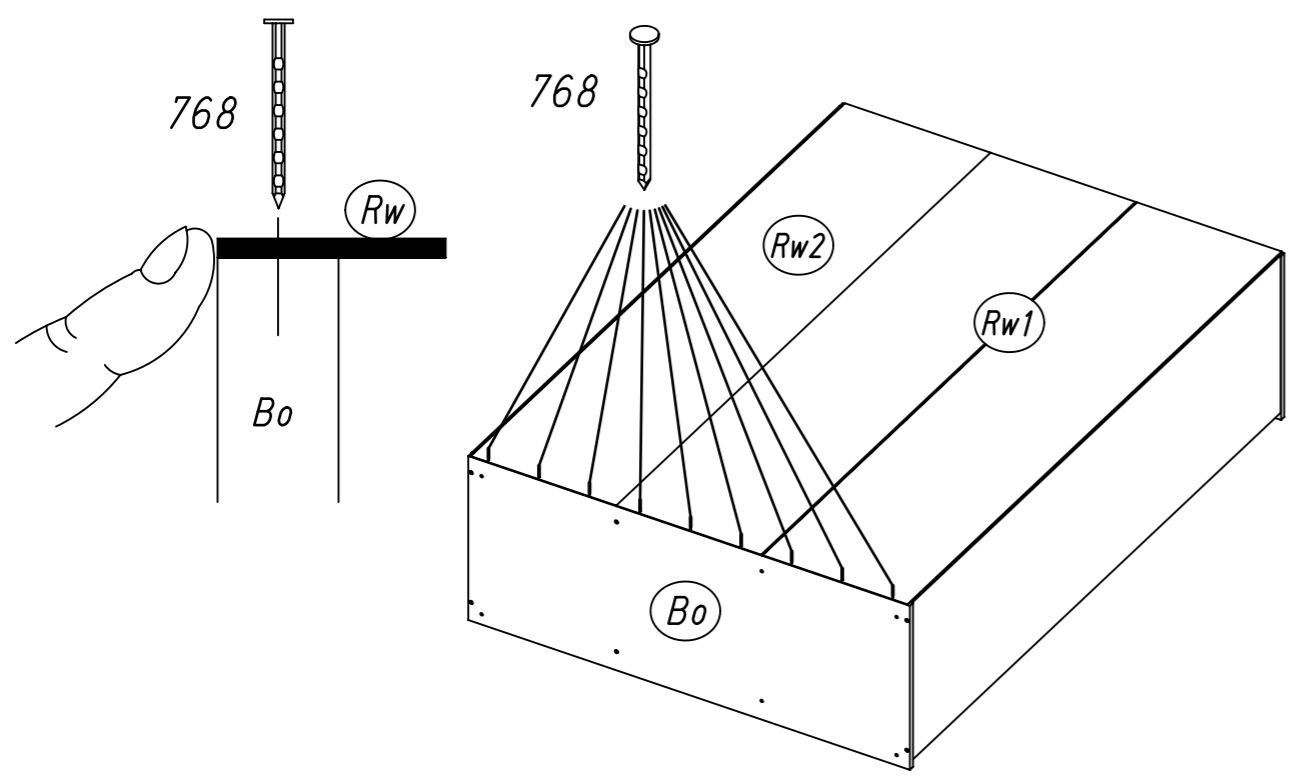
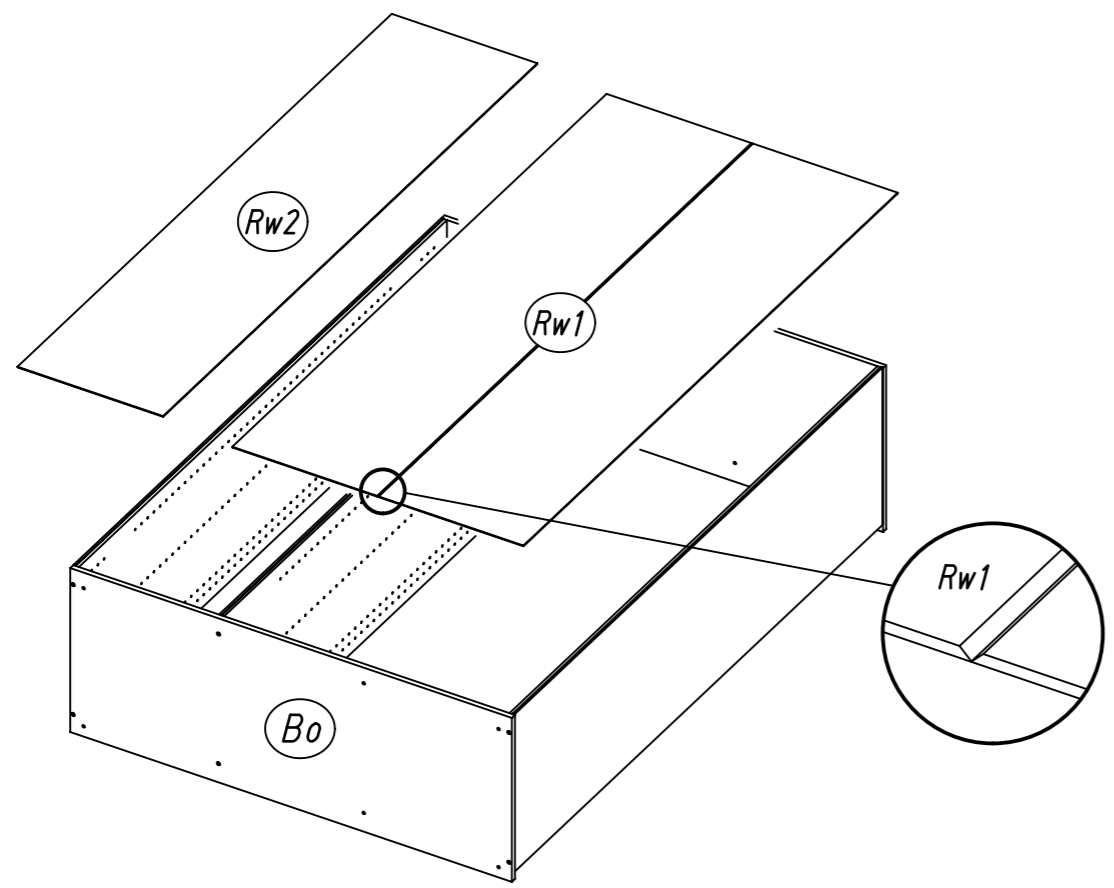
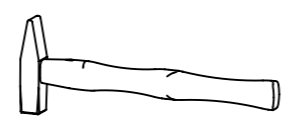
M2412

4

9x 768

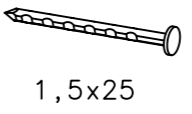


1,5x25

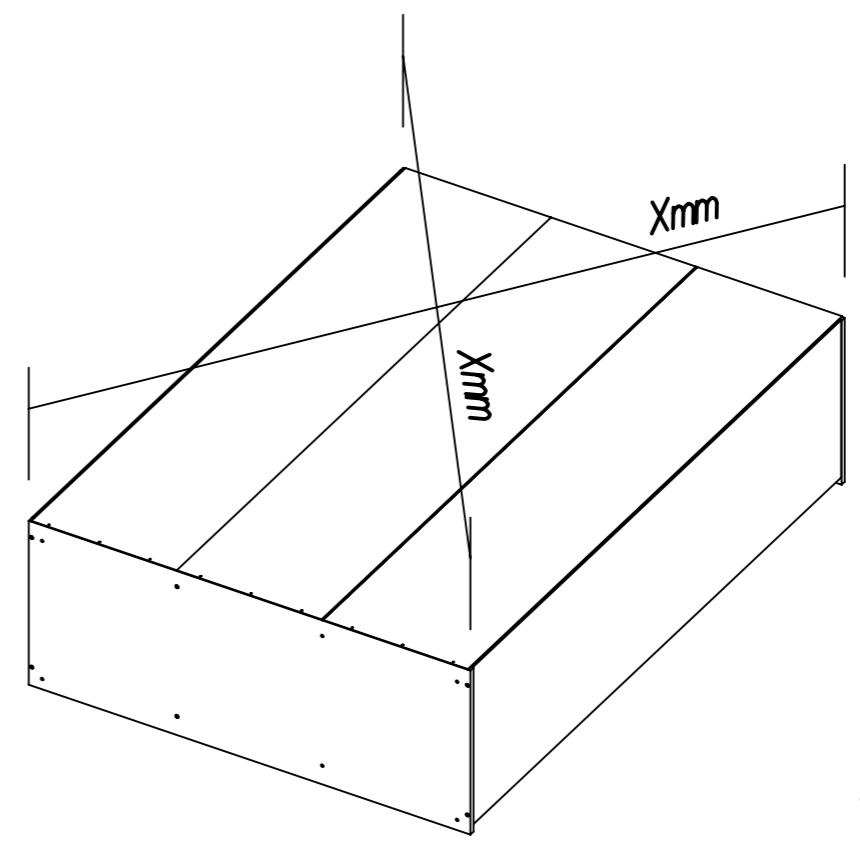
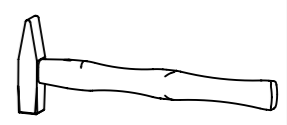
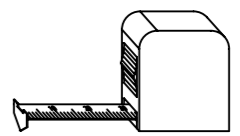


5

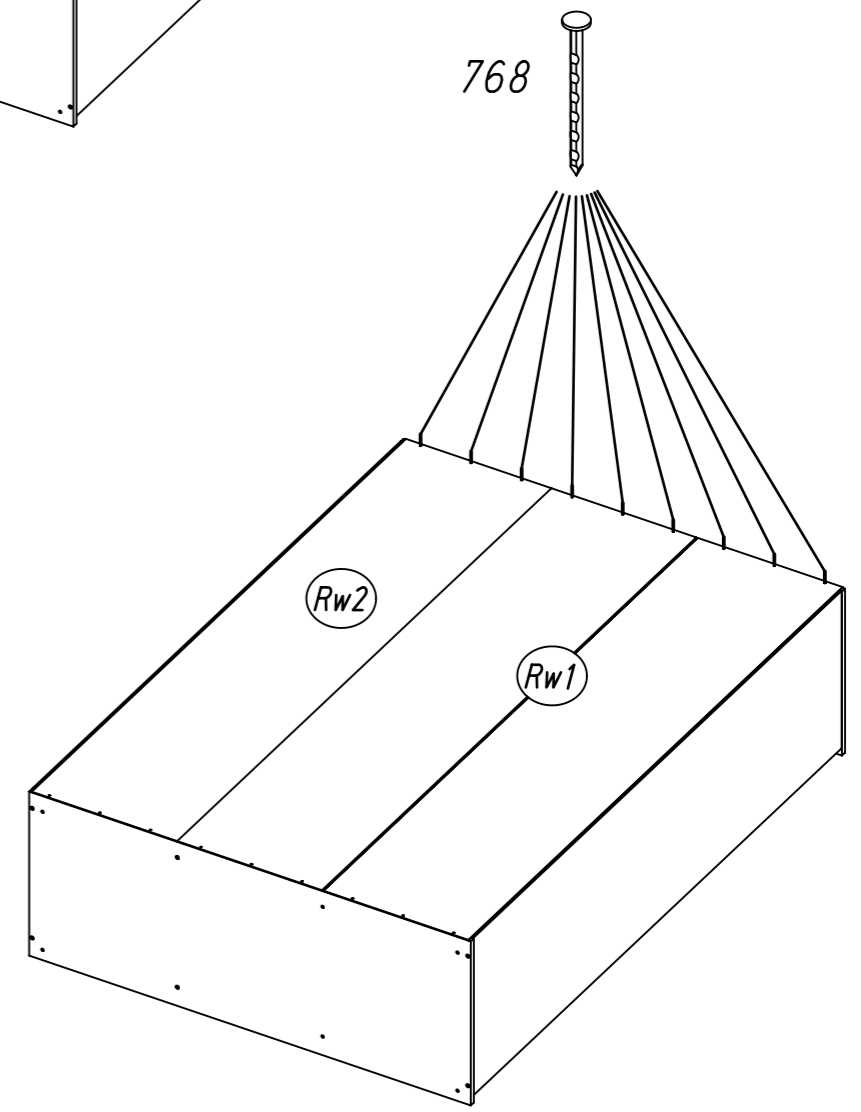
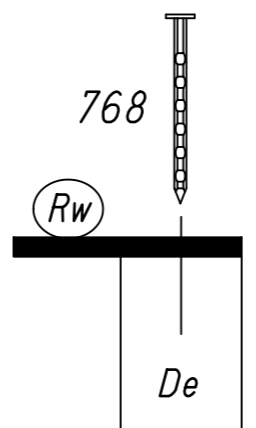
9x 768



1,5x25

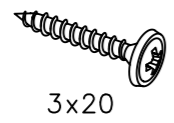


Xmm = Xmm

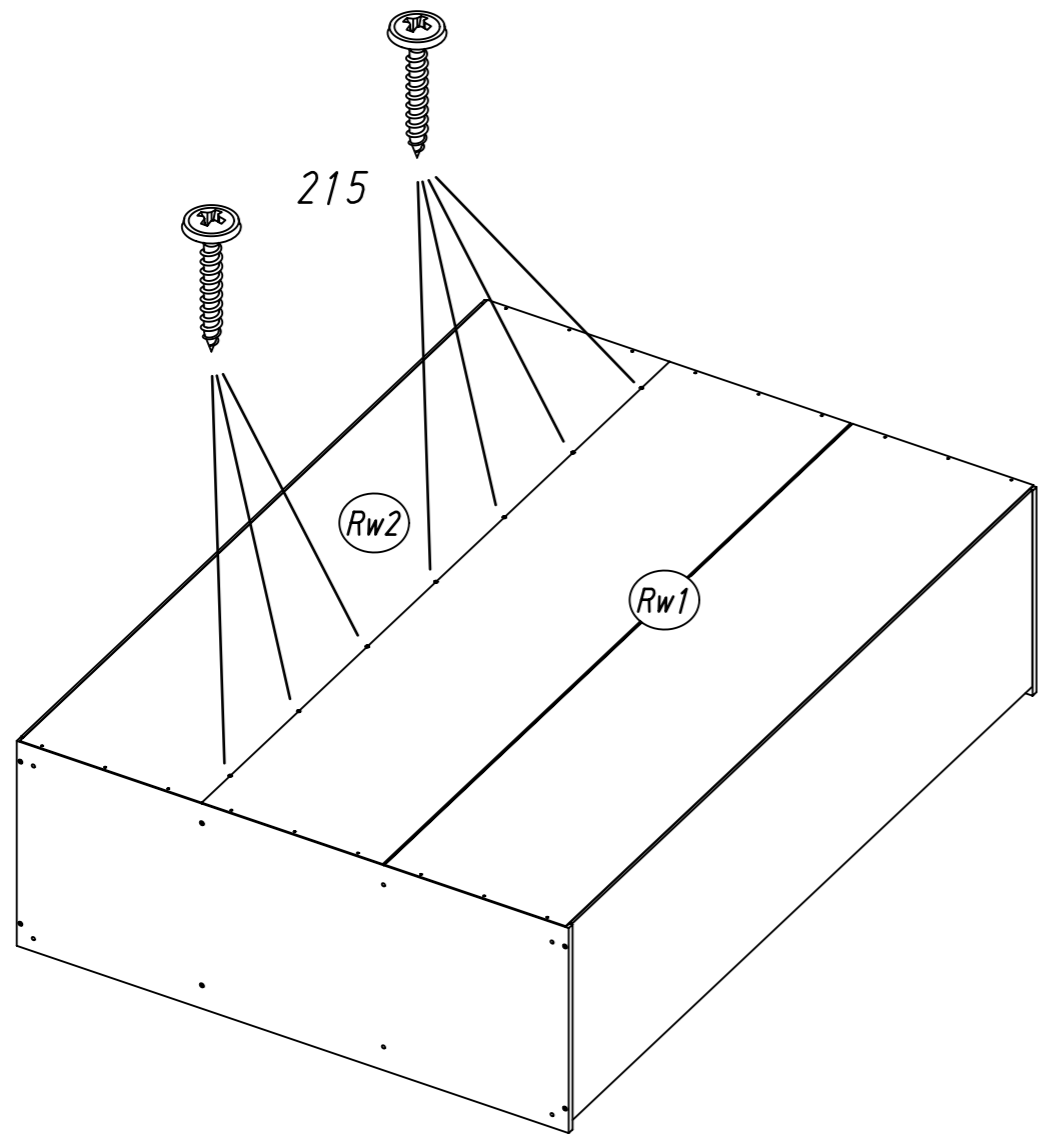
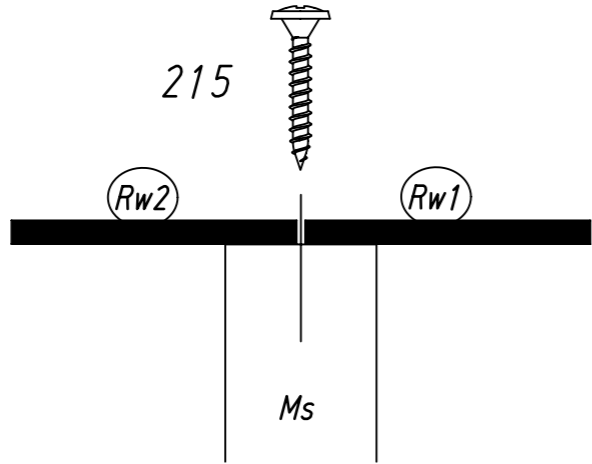
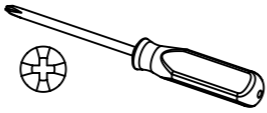


6

7x 215



3x20

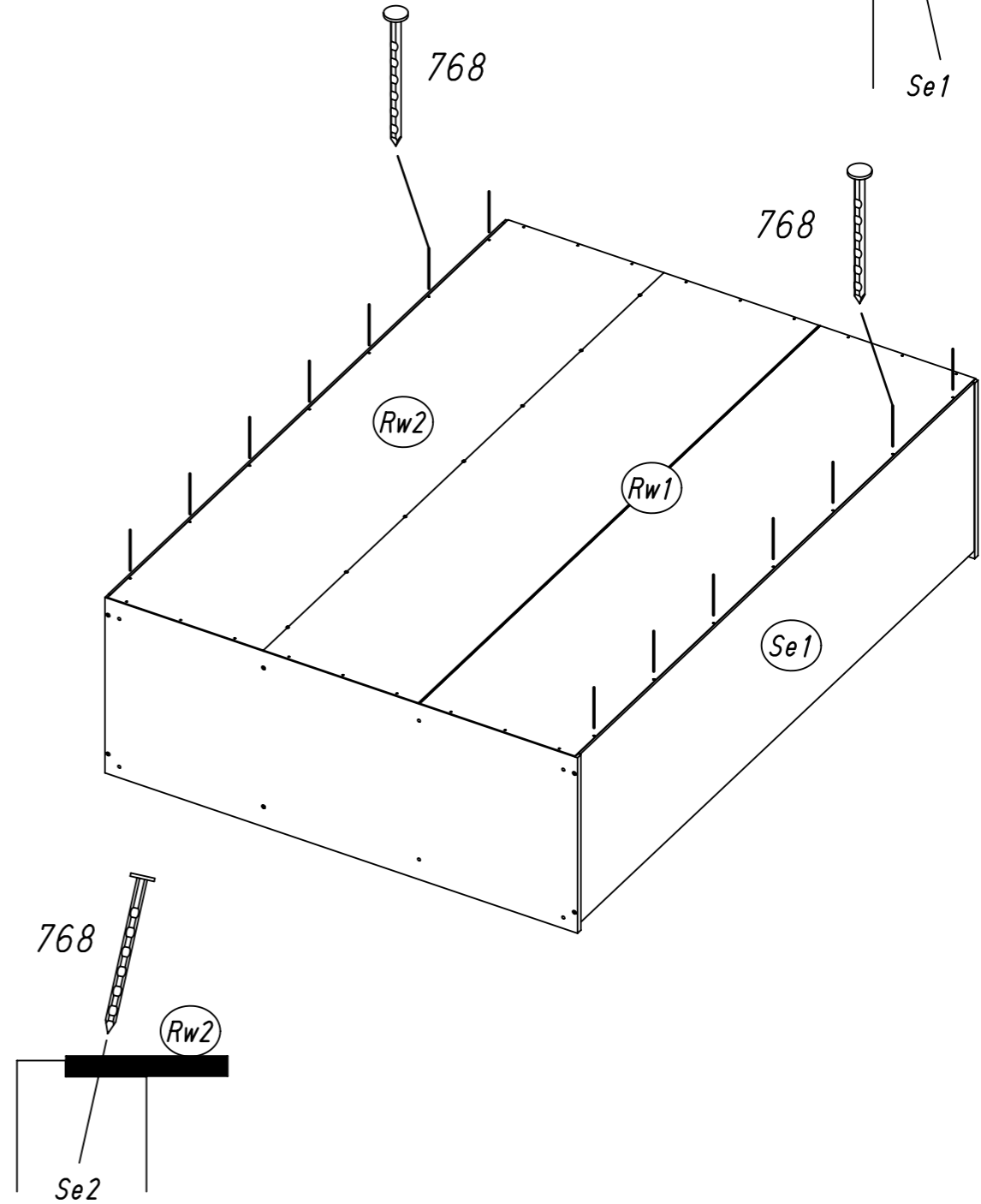
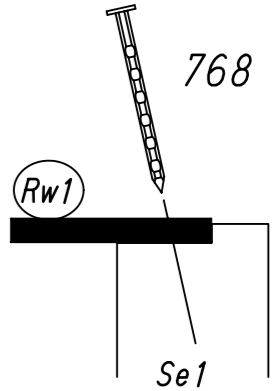


7

14x 768

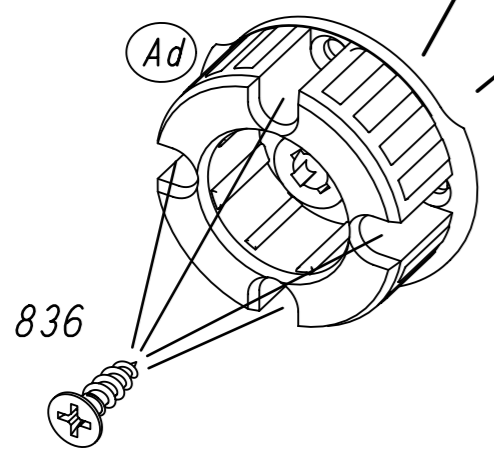
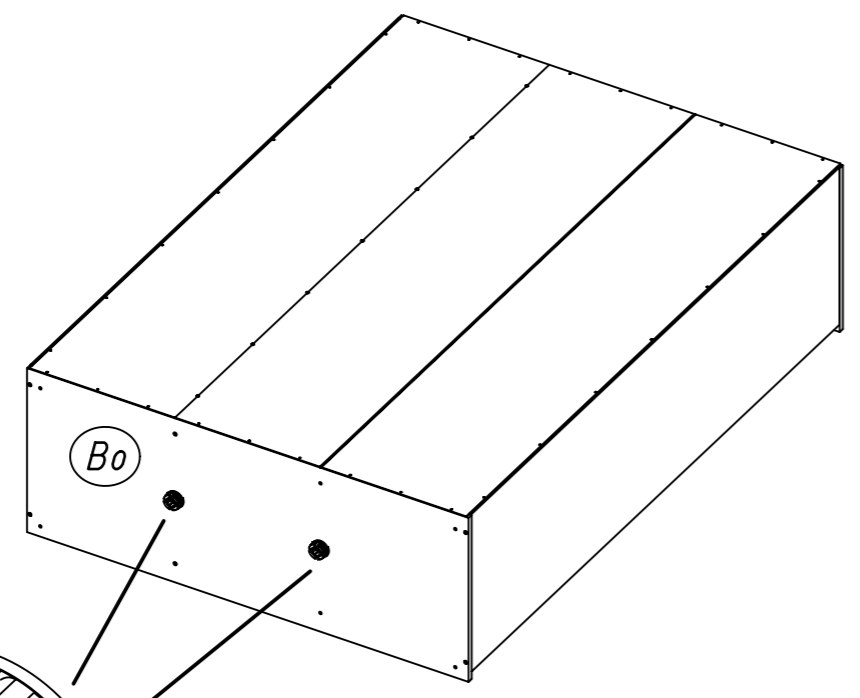
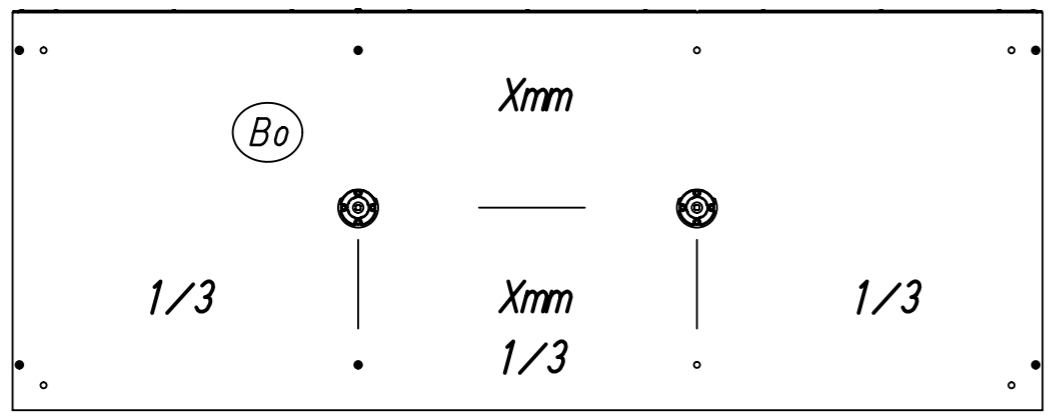
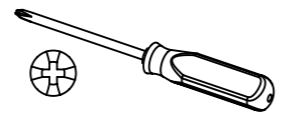


1,5x25

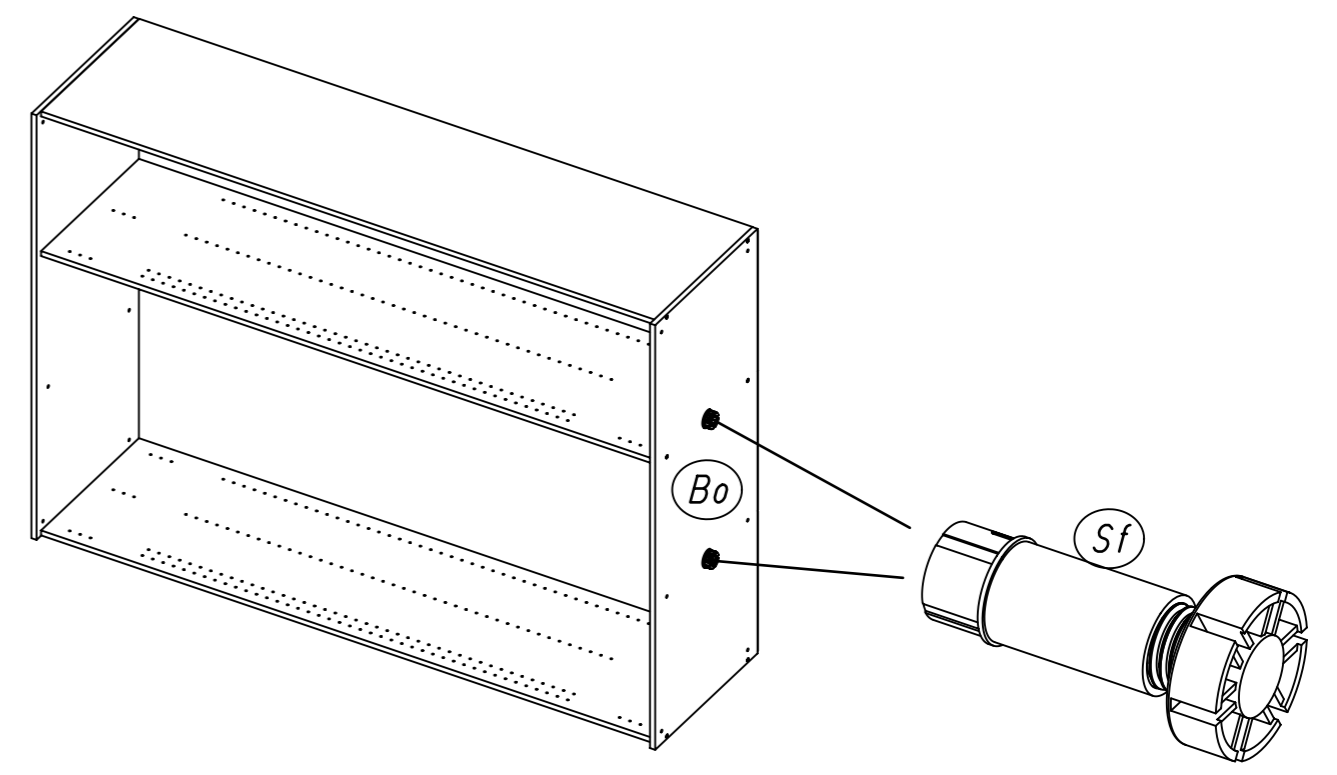
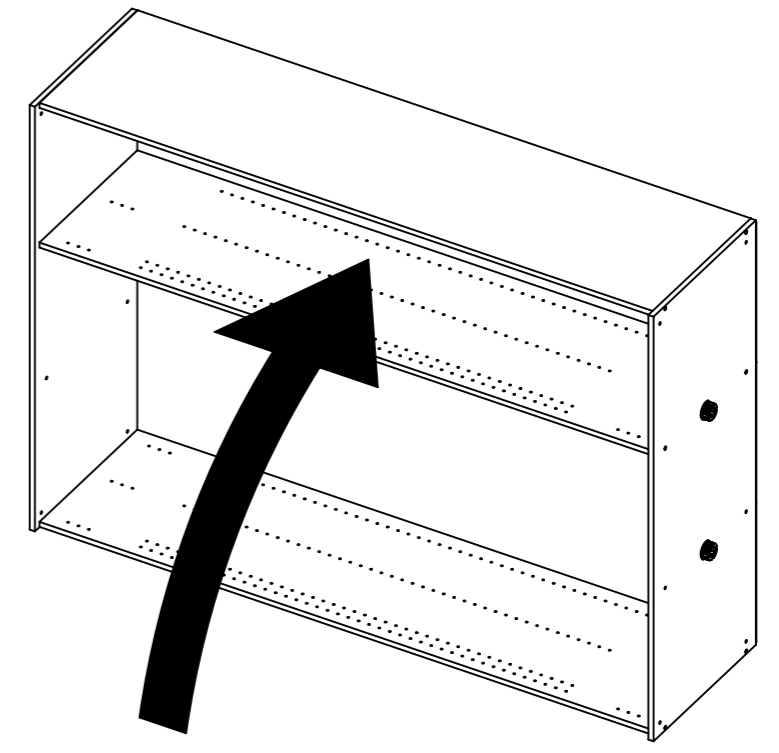


8

8x 836 4x15



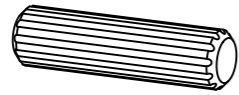
9



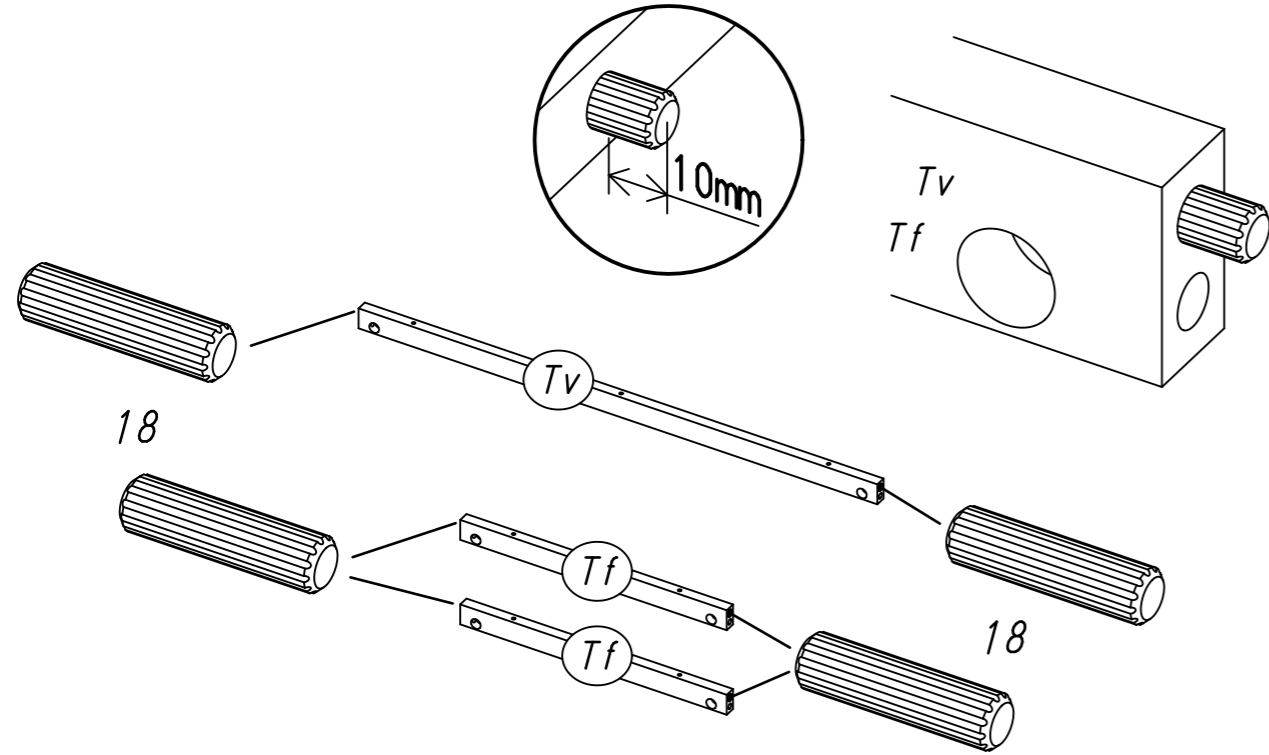
10

6x

18



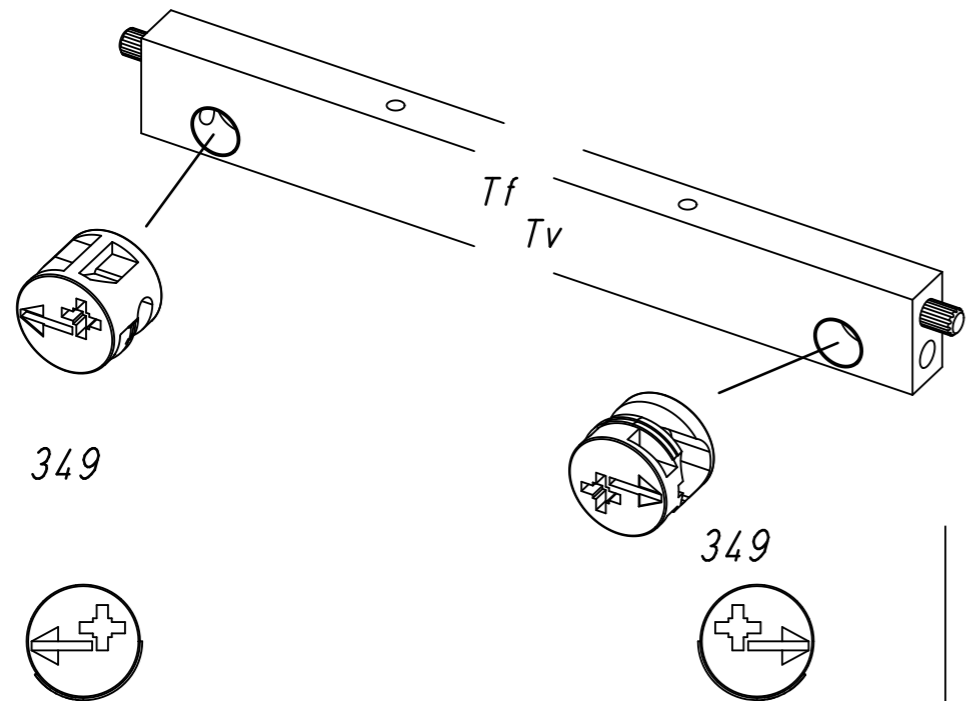
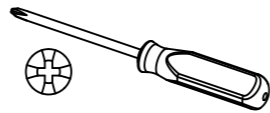
8x30



11

6x

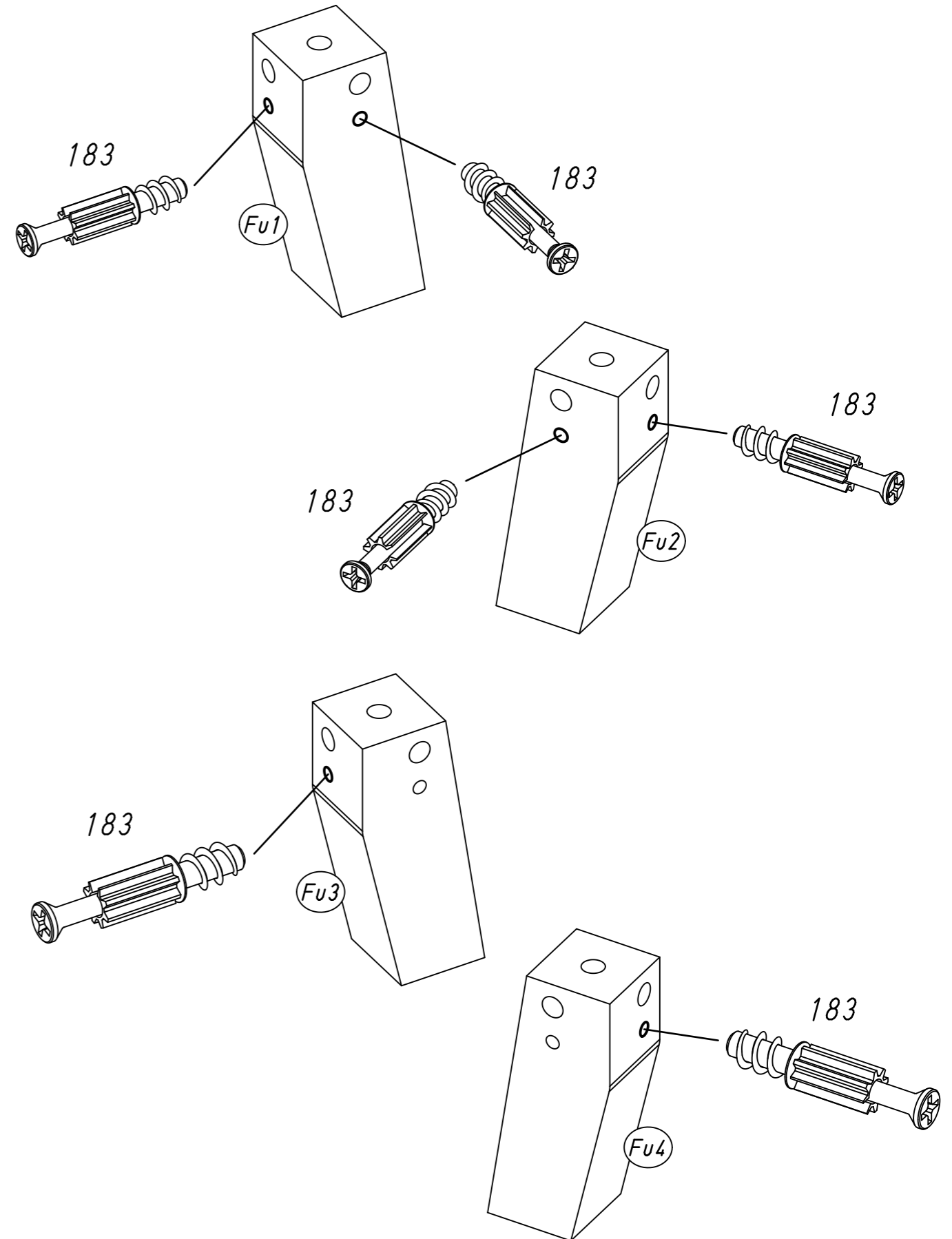
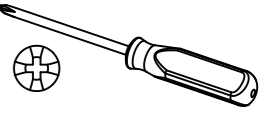
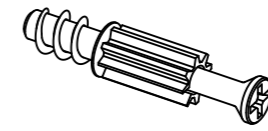
349



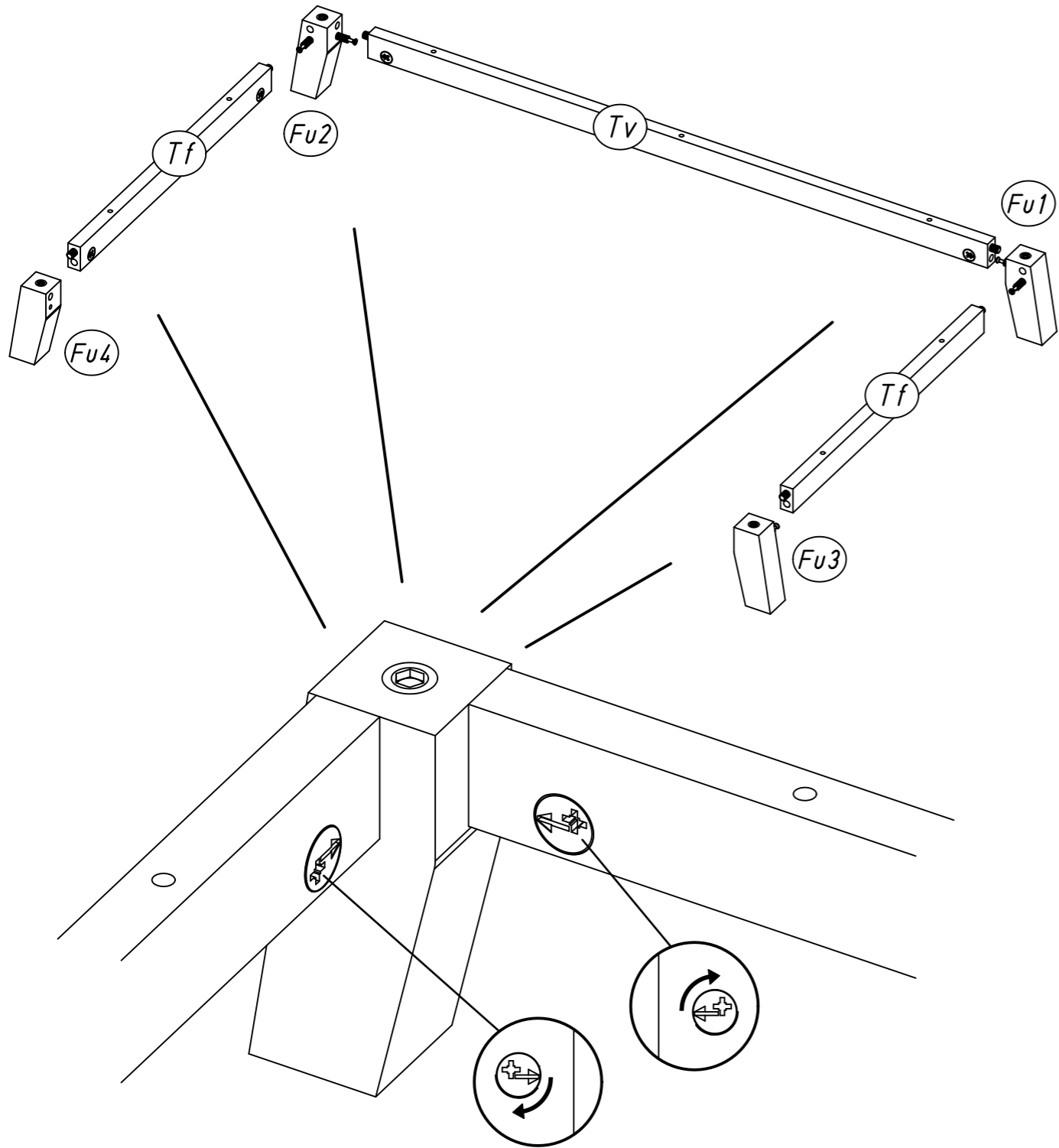
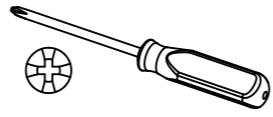
12

6x

183

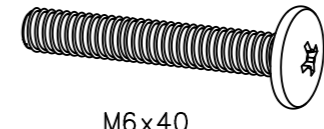


13

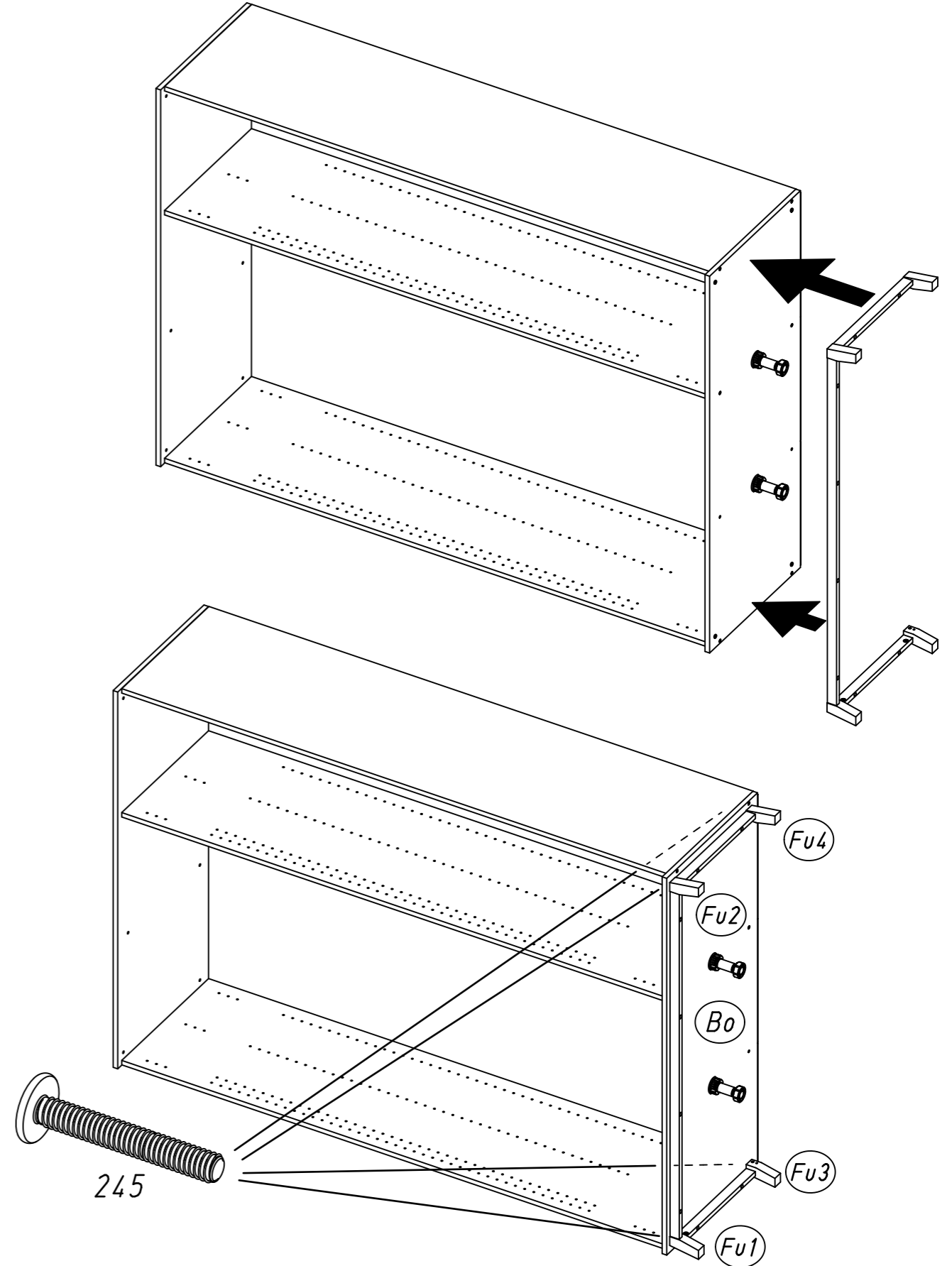
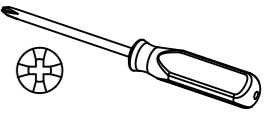


14

4x 245

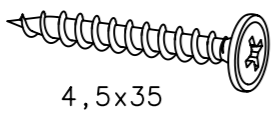


M6x40

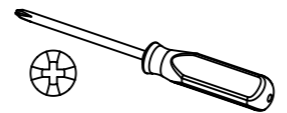


15

8x 214



4,5x35



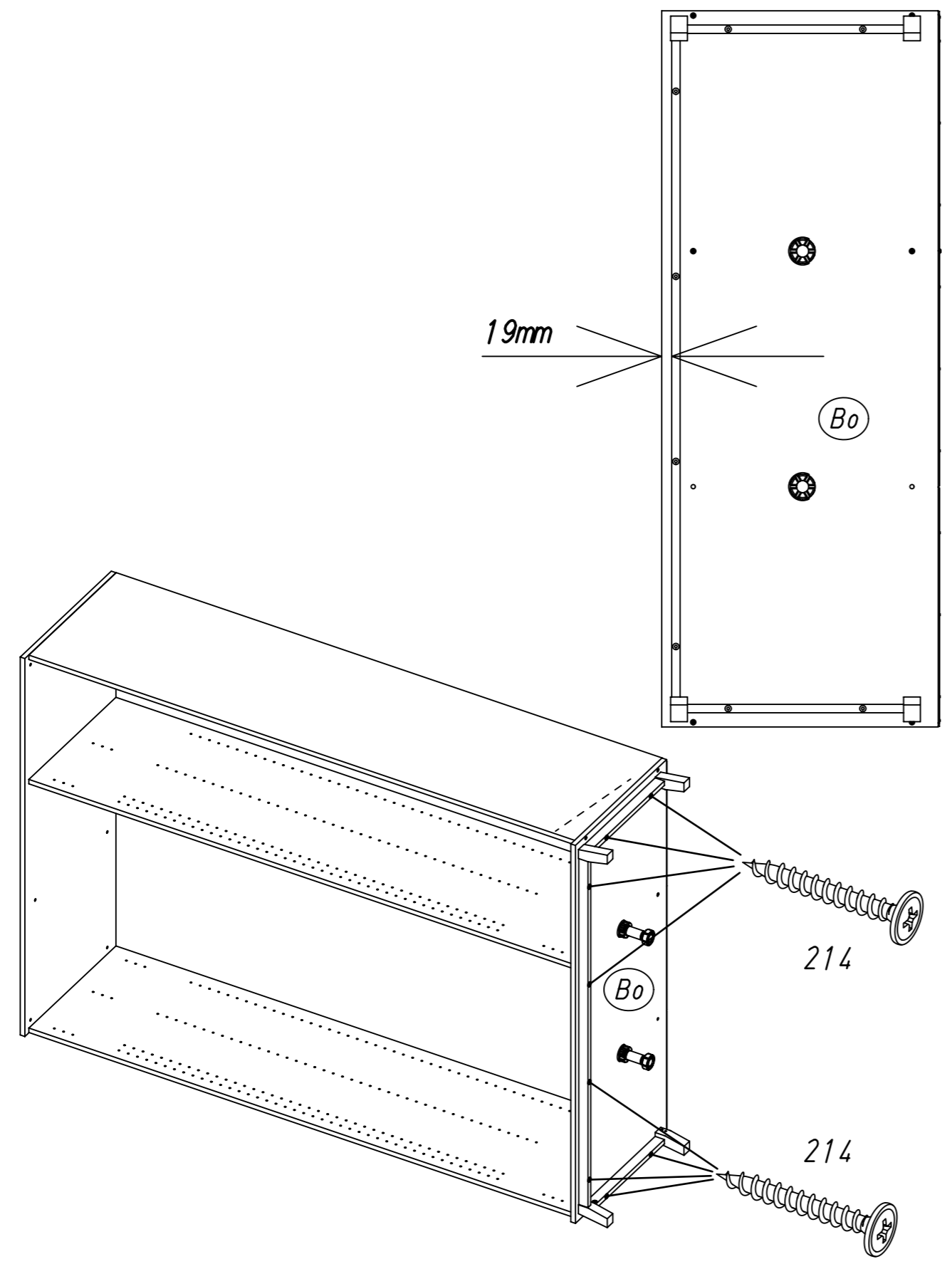
19mm

Bo

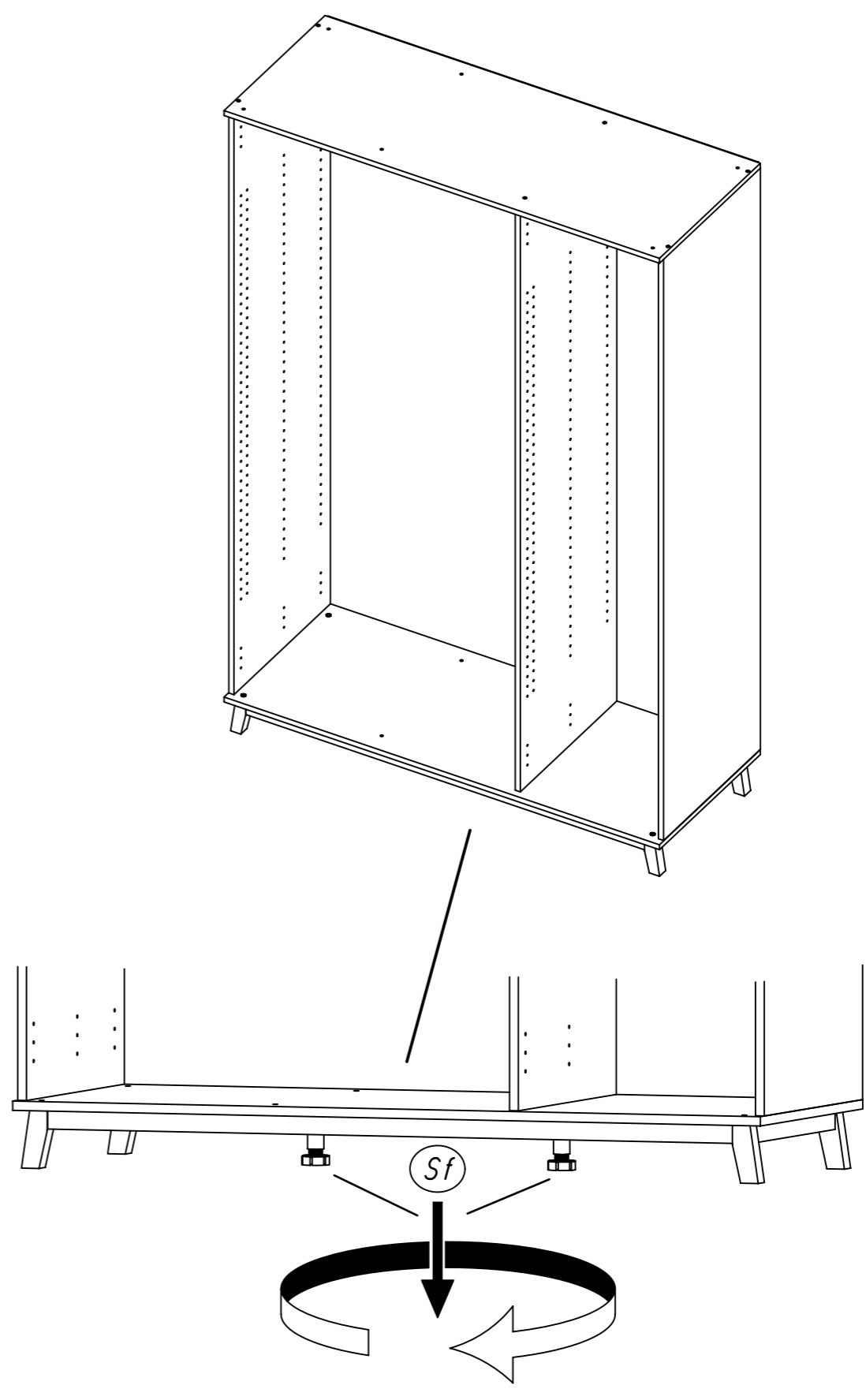
214

Bo

214



16



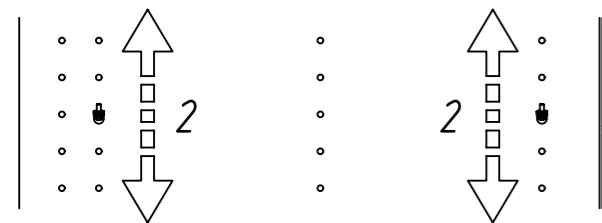
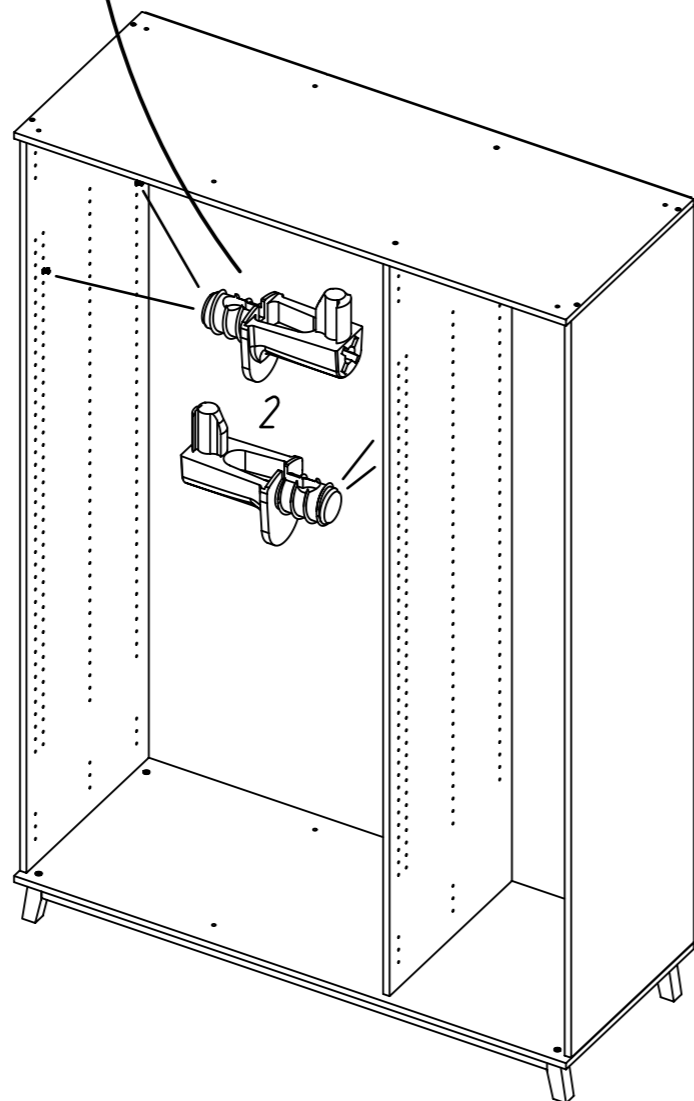
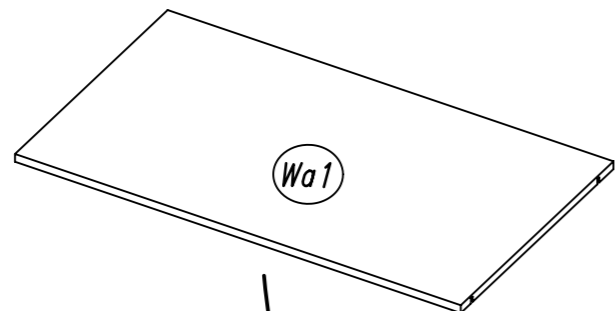
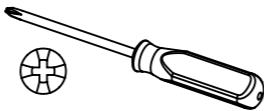
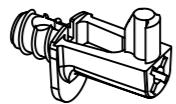
Sf

21.

17

4x

2



M2412

22.

18

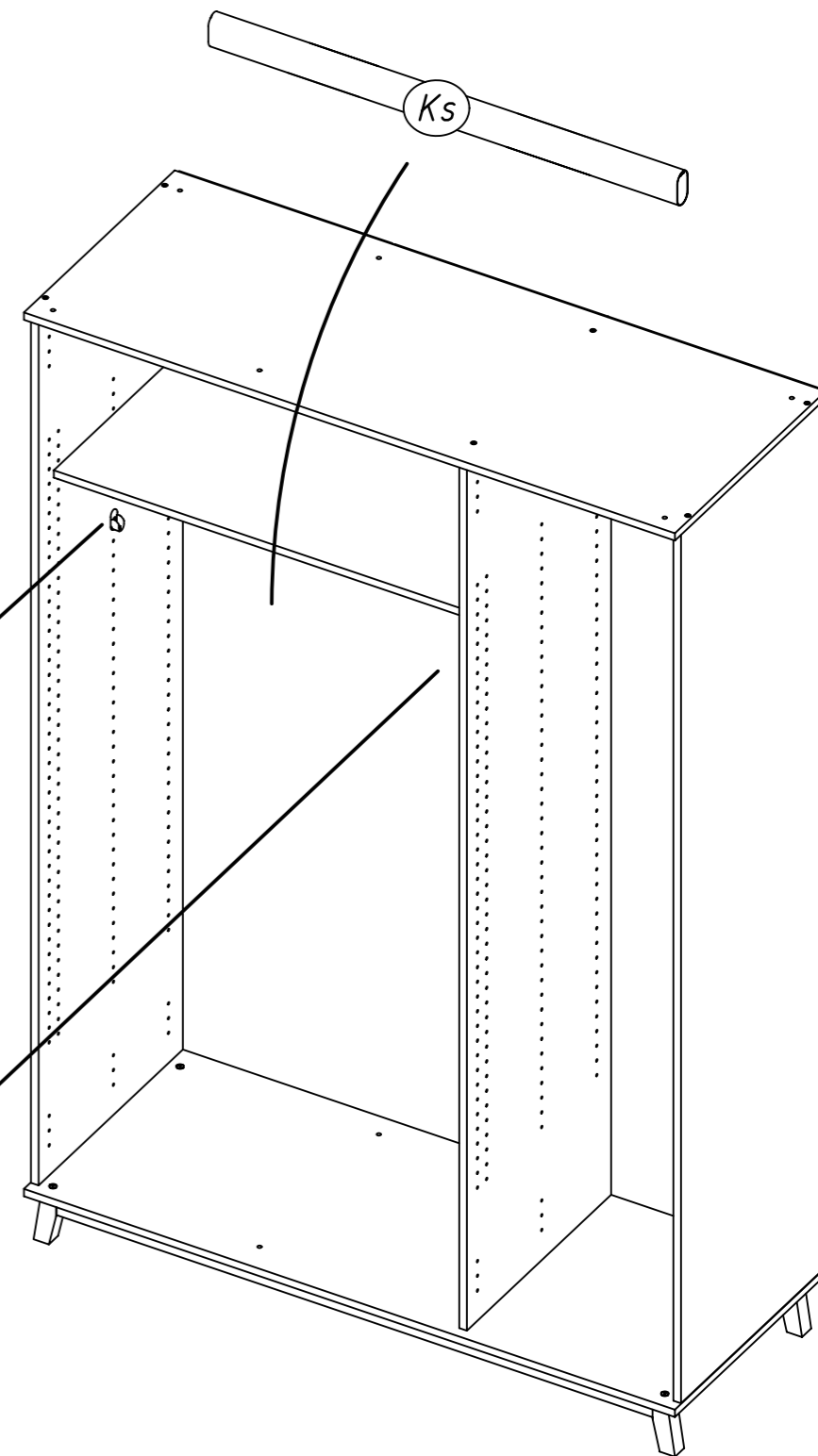
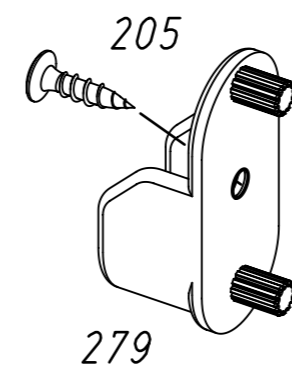
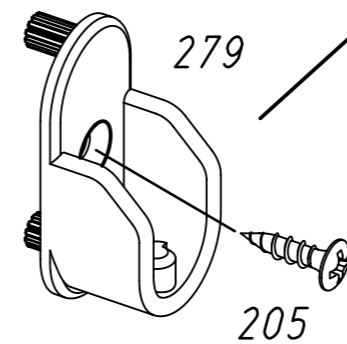
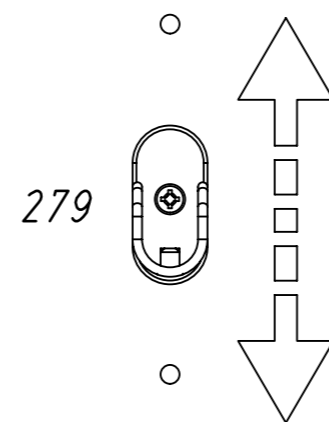
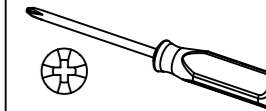
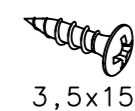
2x

279



2x

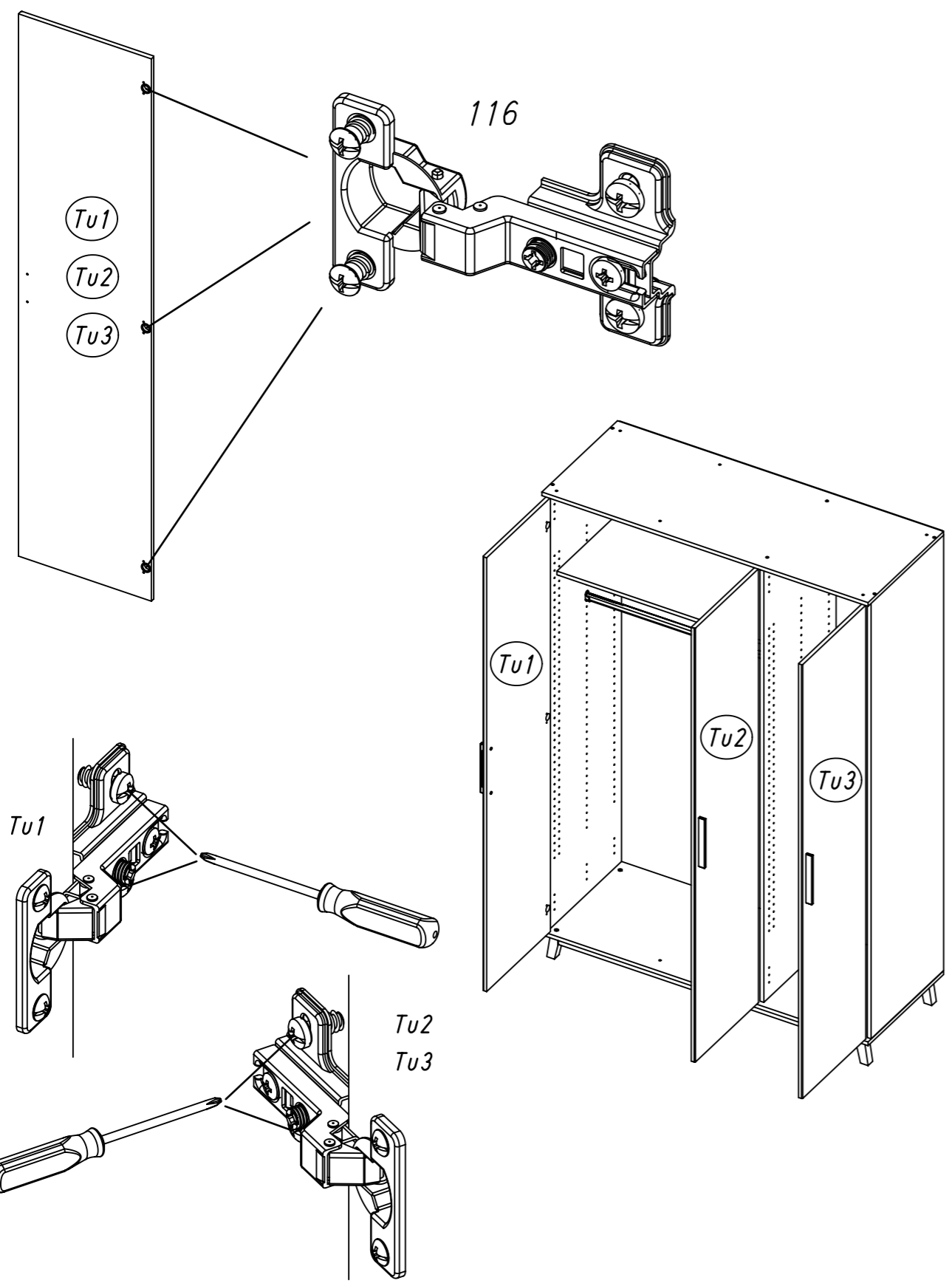
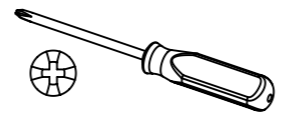
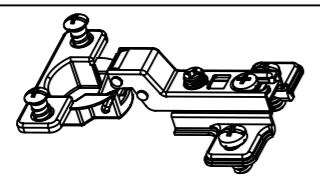
205



M2412

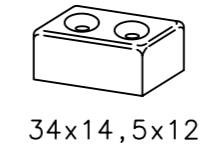
19

9x 116



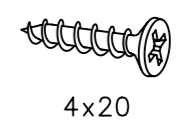
20

2x 769

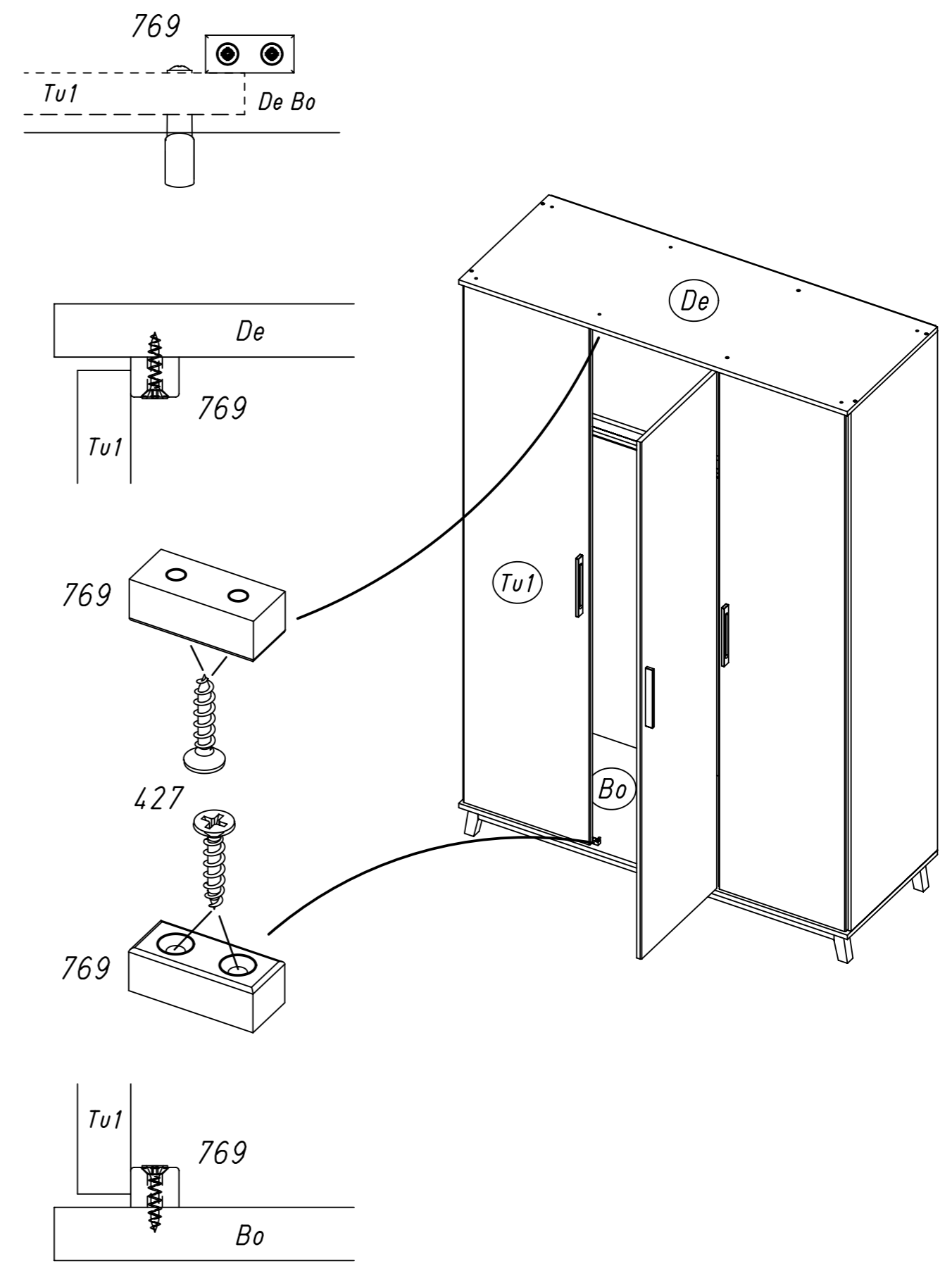
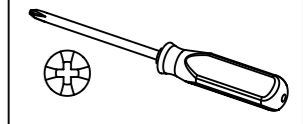


34x14,5x12

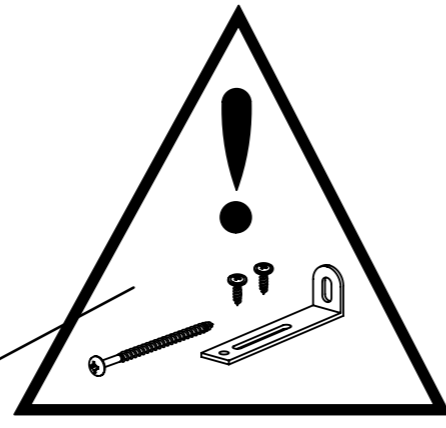
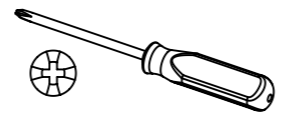
4x 427



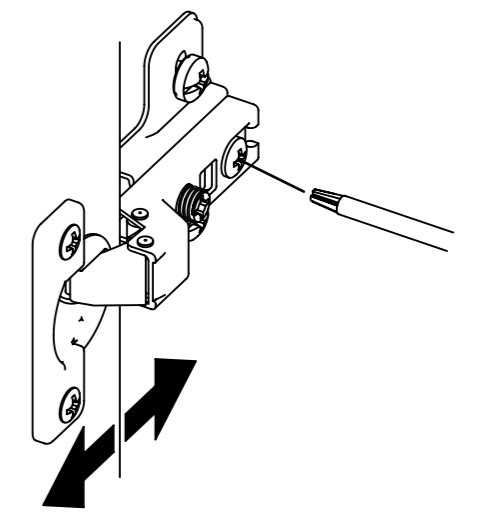
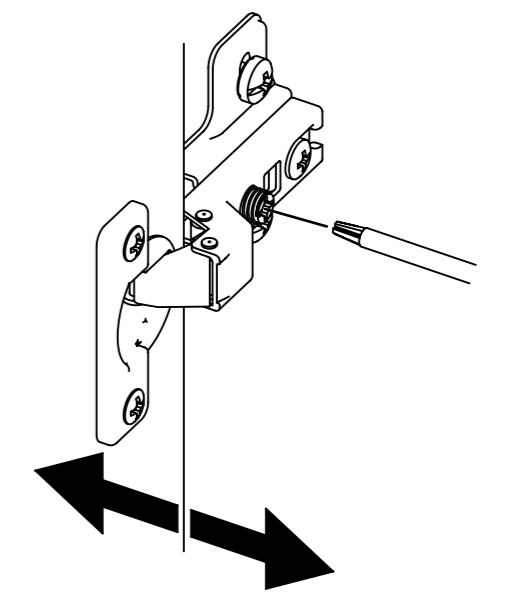
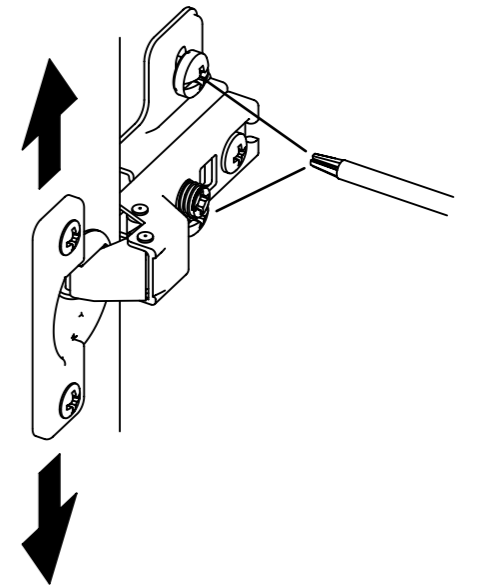
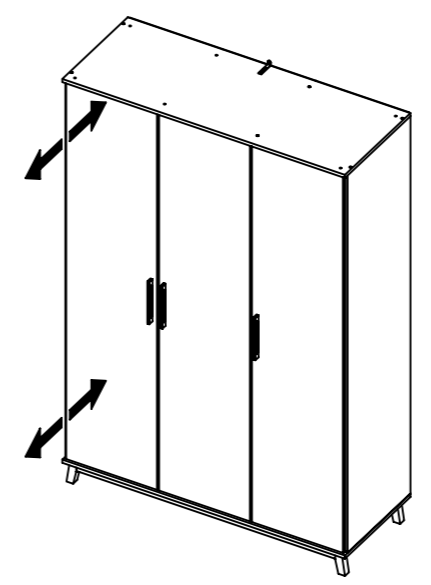
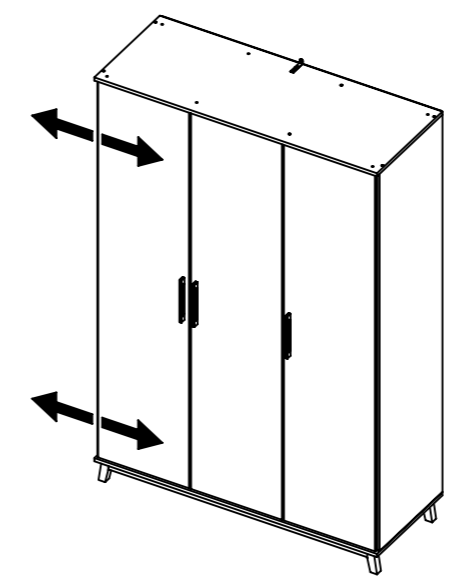
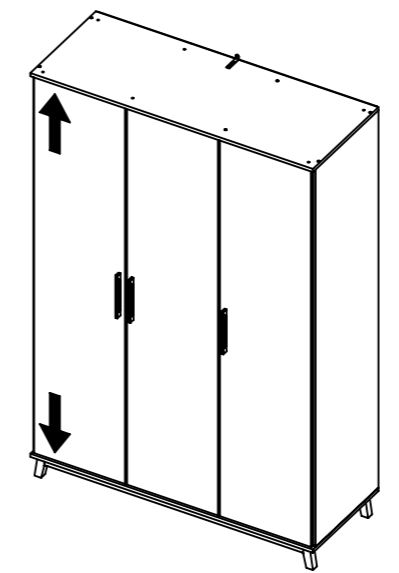
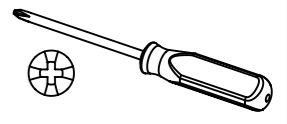
4x20



21



22



23

8x

405



8mm

