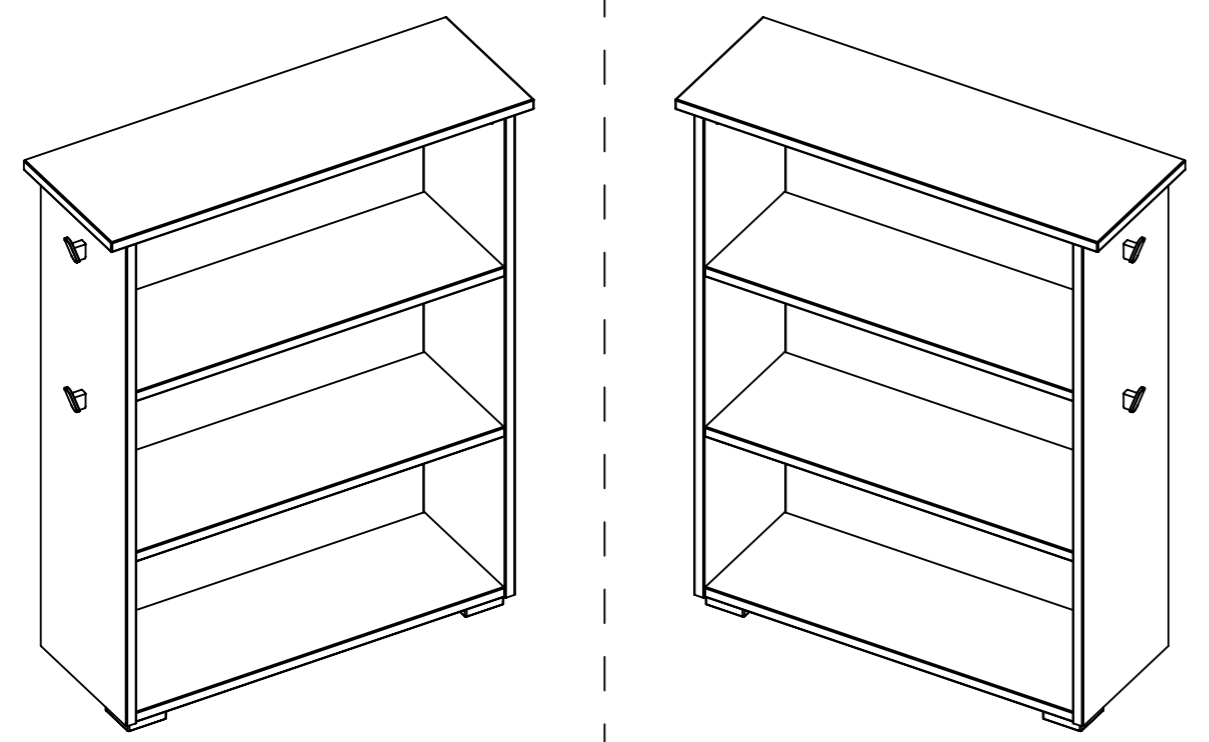
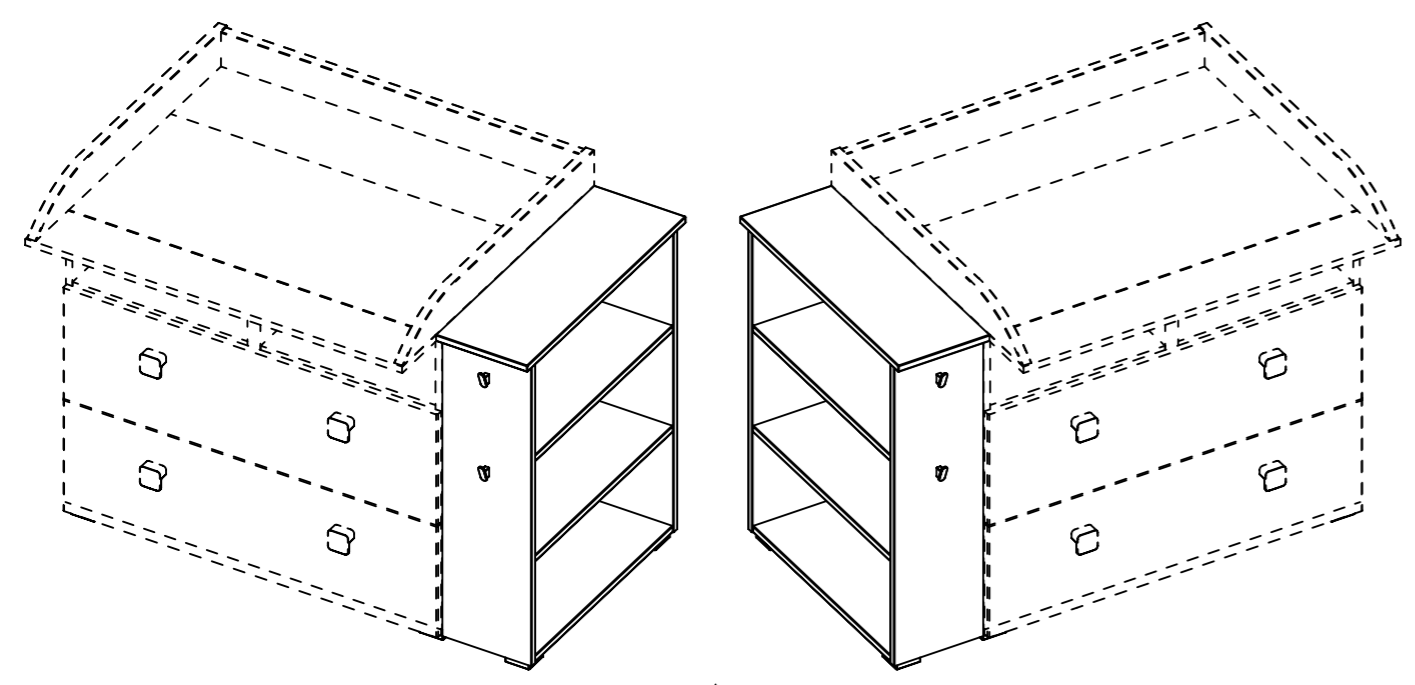
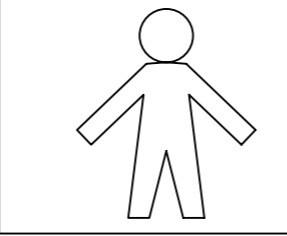
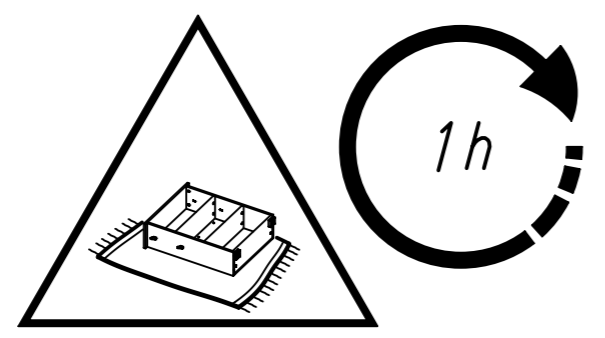
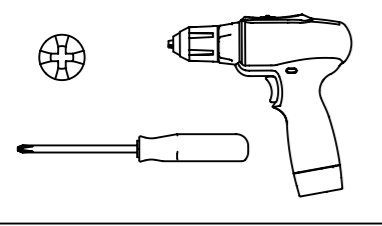


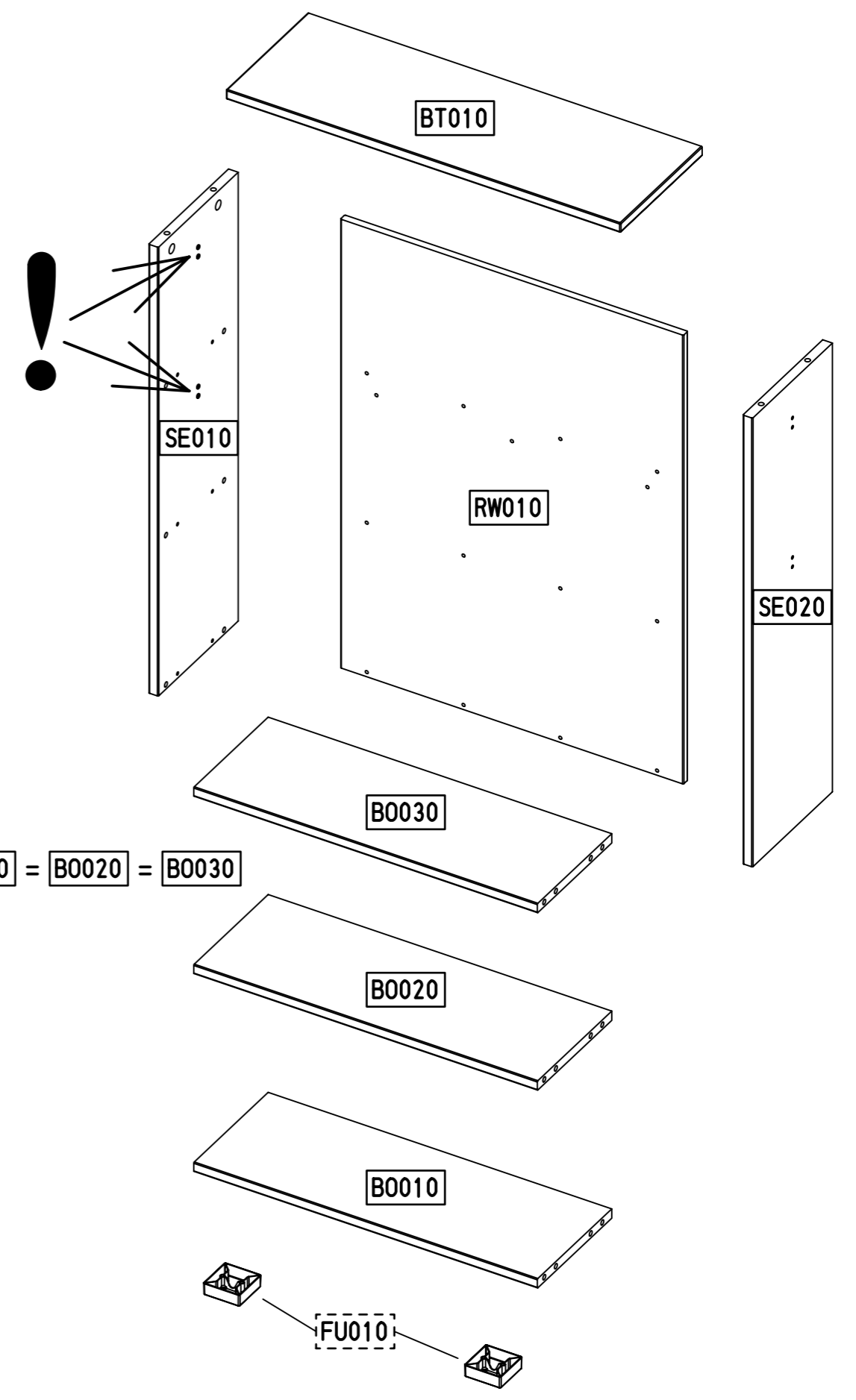
1.

M2319_02

rauch

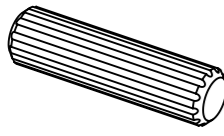
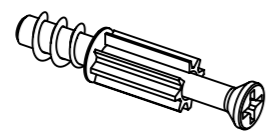
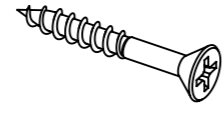
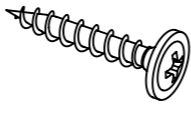


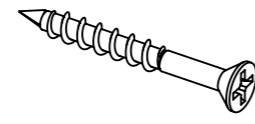
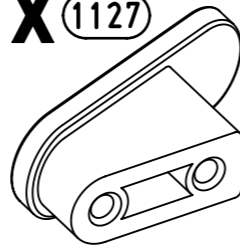


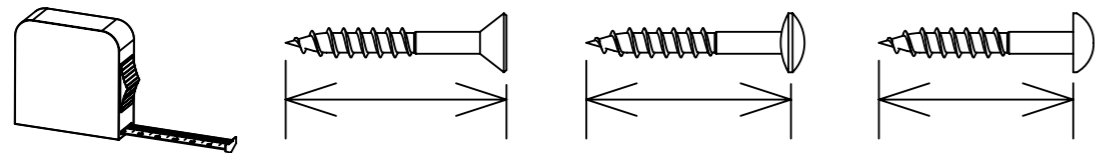
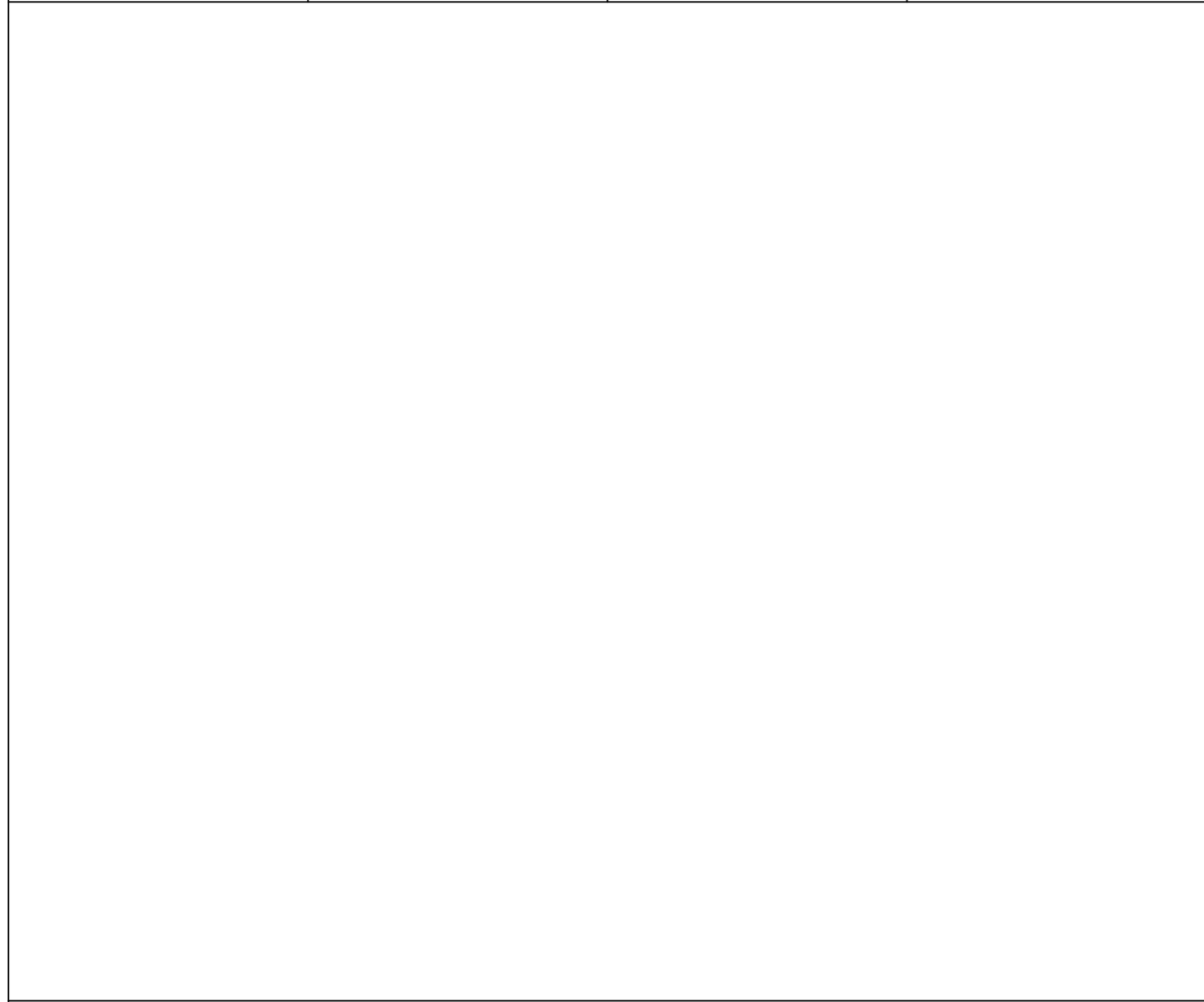
2.




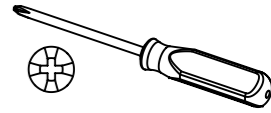
B0010 = B0020 = B0030

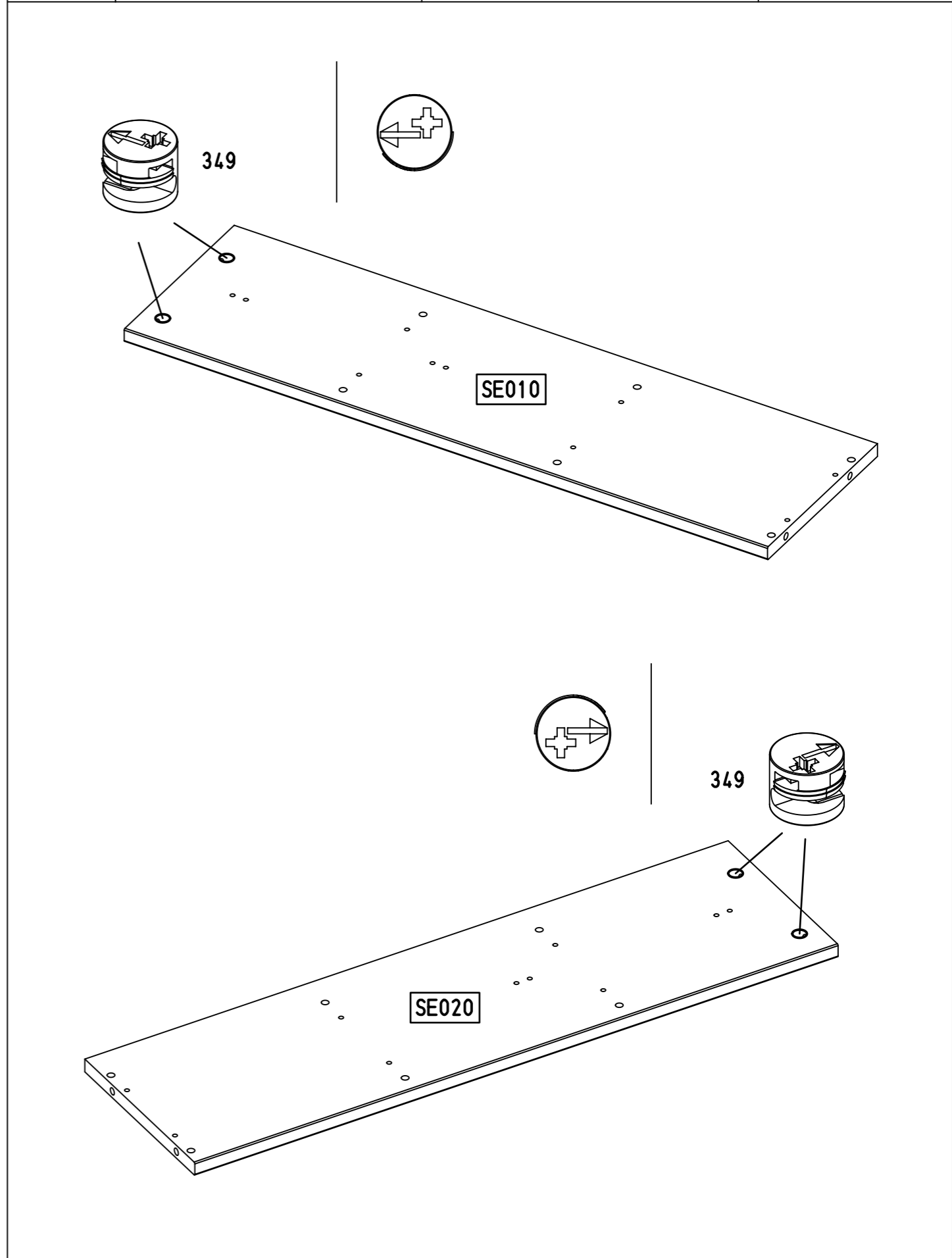
3.

<p>12x (18)</p>  <p>8x30</p>	<p>16x (183)</p> 	<p>12x (213)</p>  <p>4x30</p>	<p>2x (240)</p>  <p>4x25</p>
<p>16x (349)</p> 	<p>1x (375)</p> 	<p>12x (813)</p>  <p>4x35</p>	<p>2x (1127)</p> 



4.

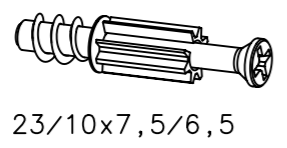
<p>1</p>	<p>4x (349)</p> 		
----------	---	--	---



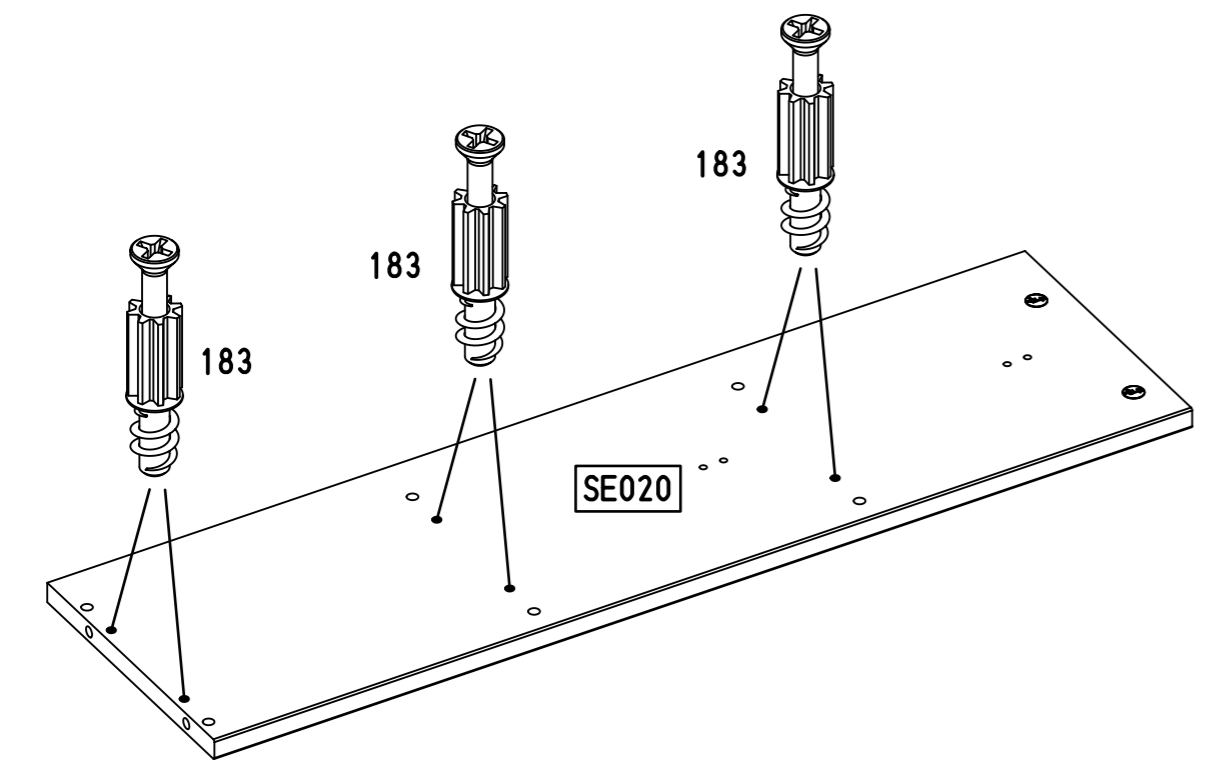
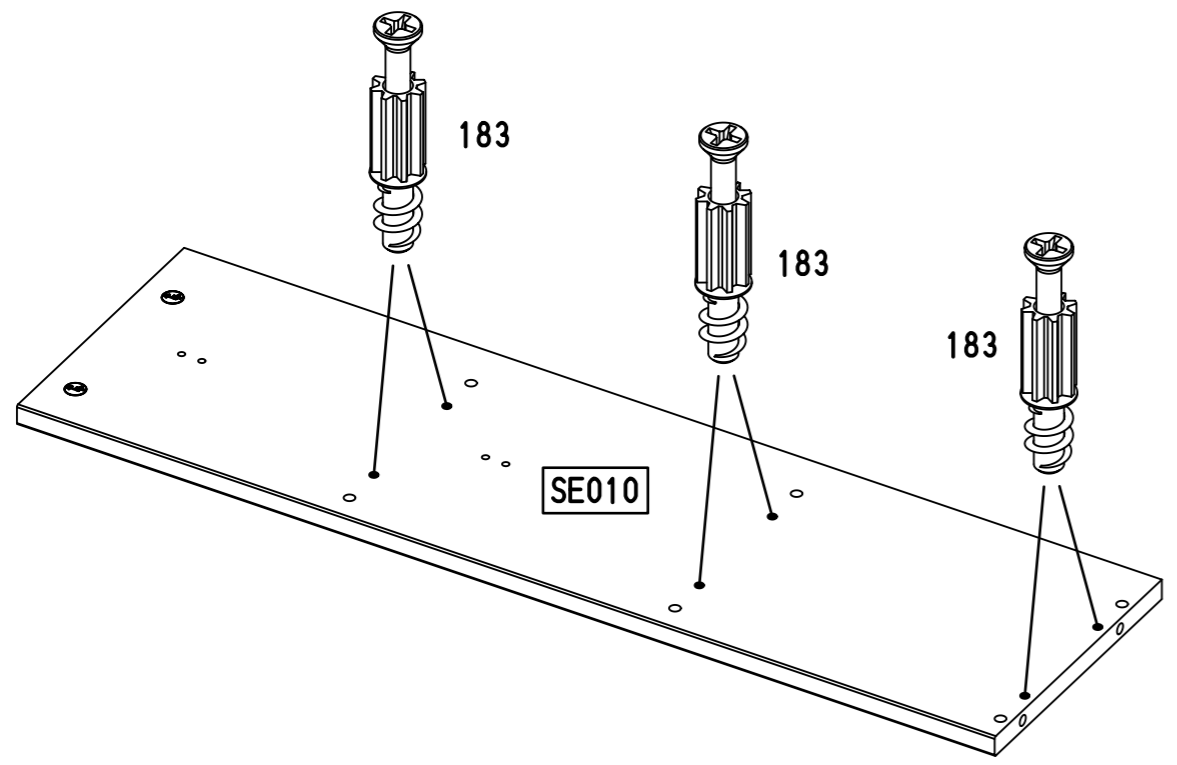
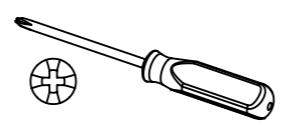
5.

2

12x 183



23/10x7,5/6,5

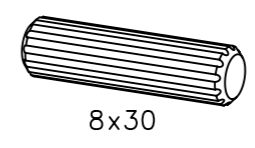


M2319

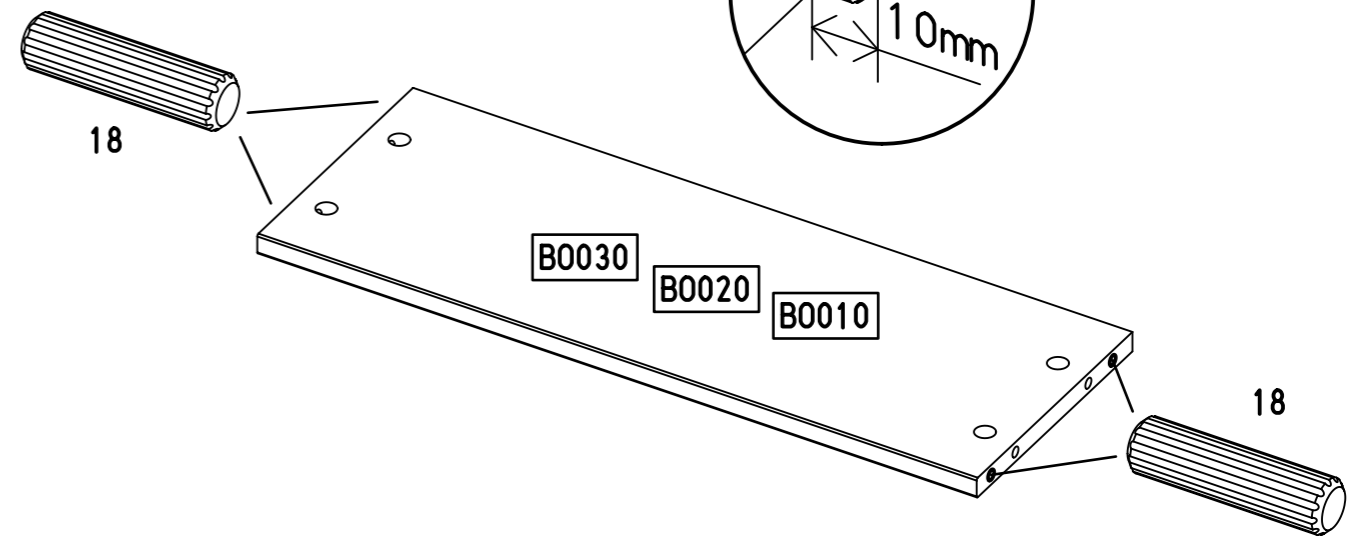
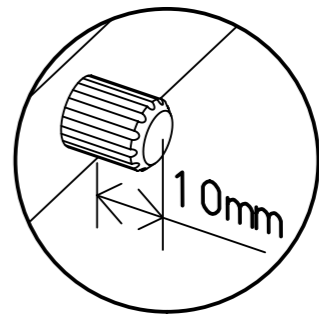
6.

3

12x 18



8x30

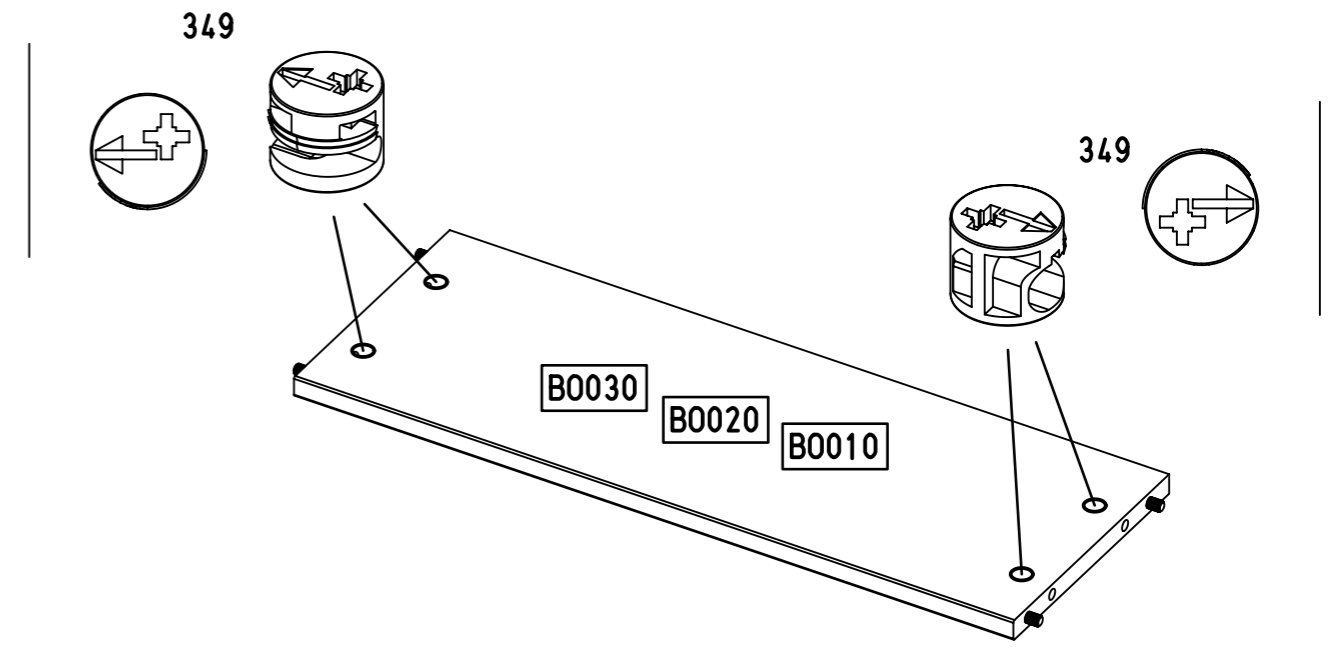
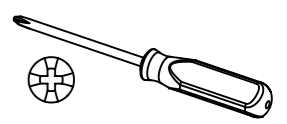


4

12x 349

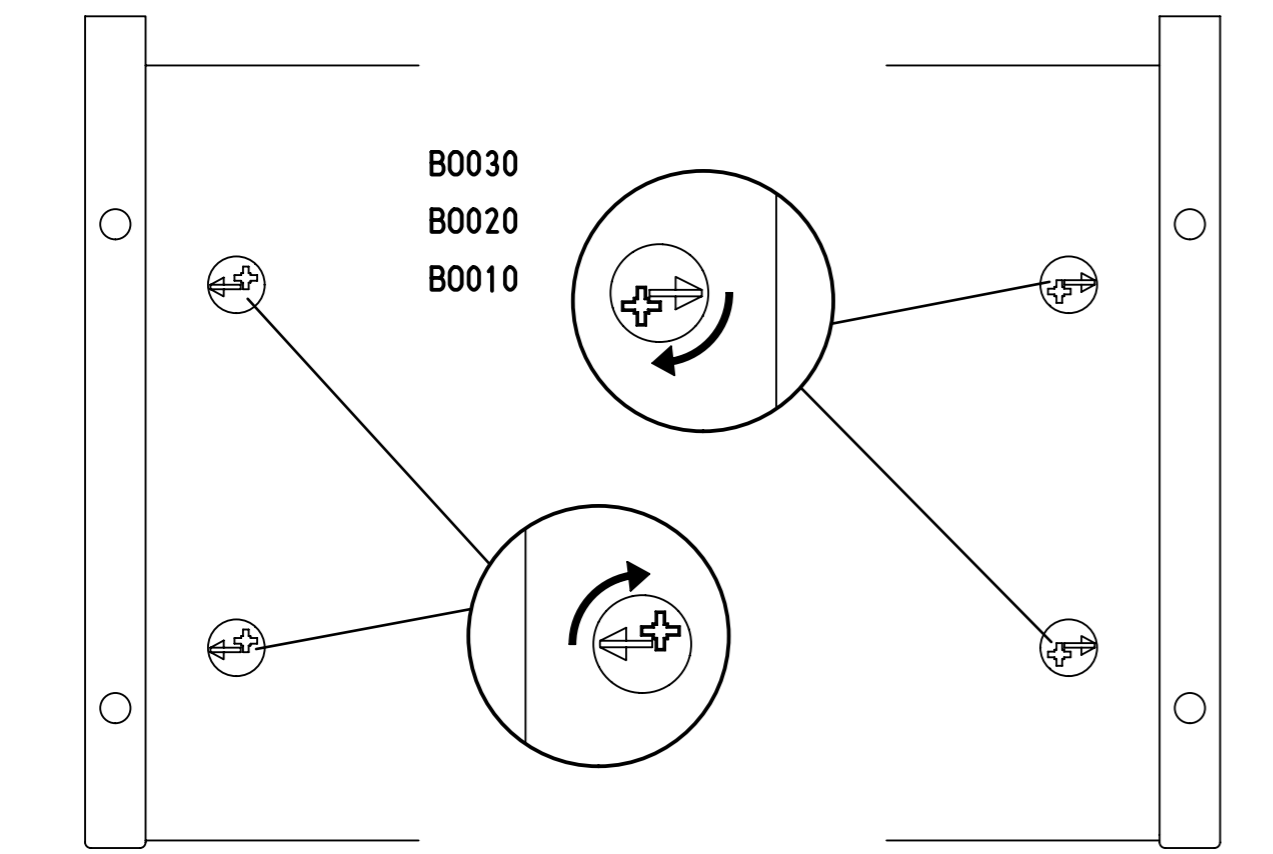
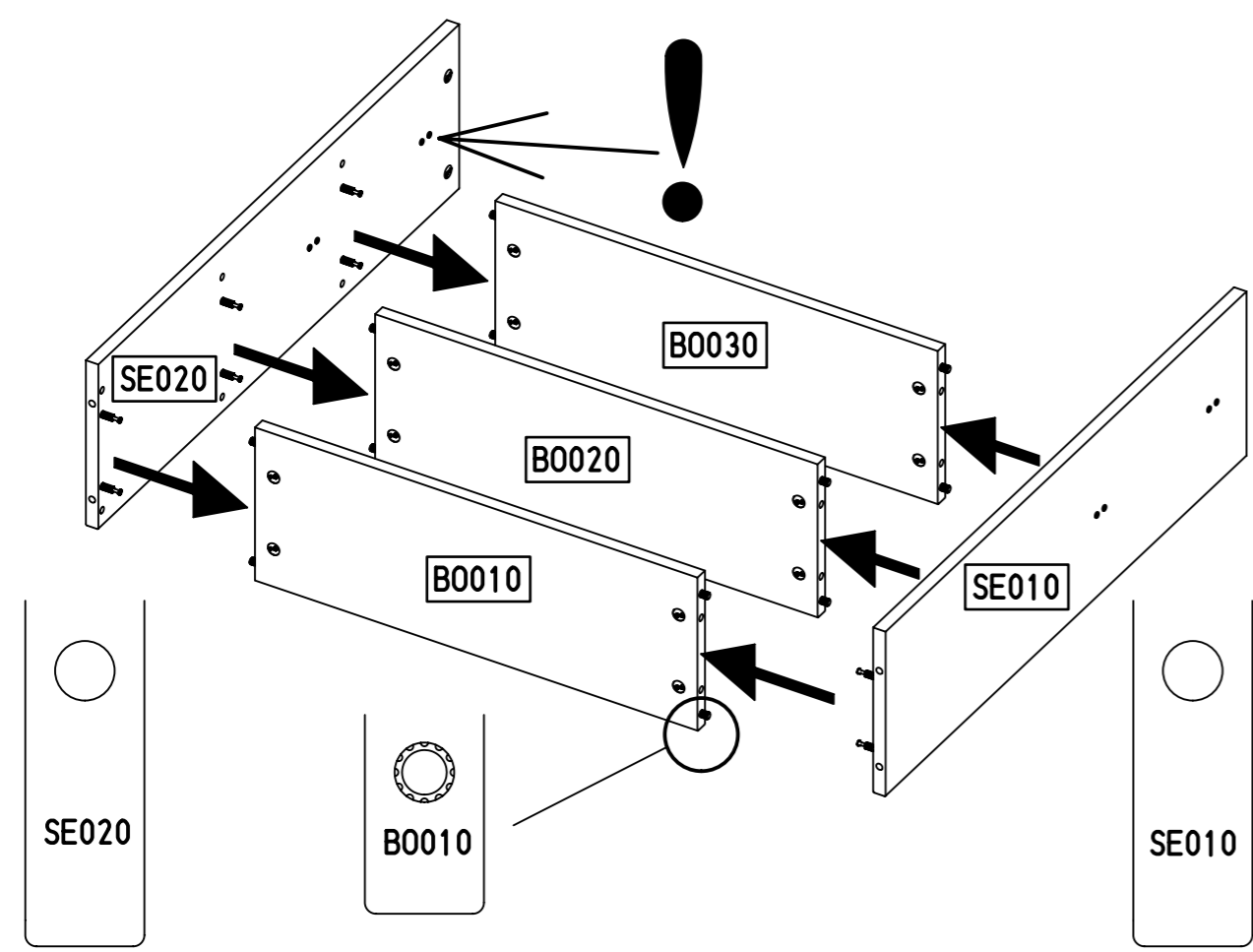
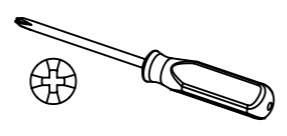


349



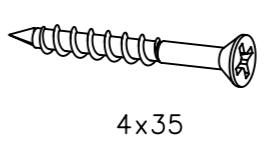
M2319

5

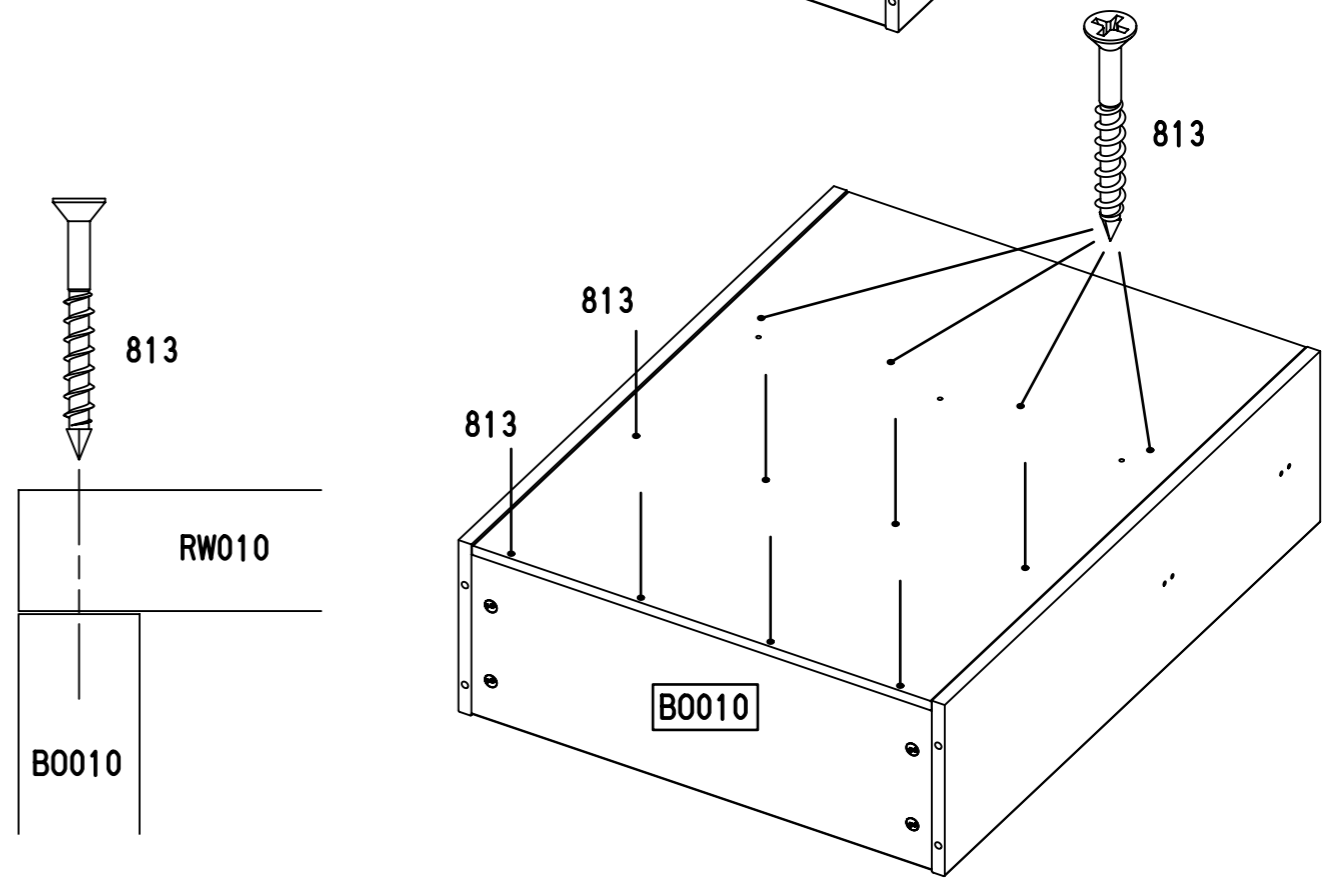
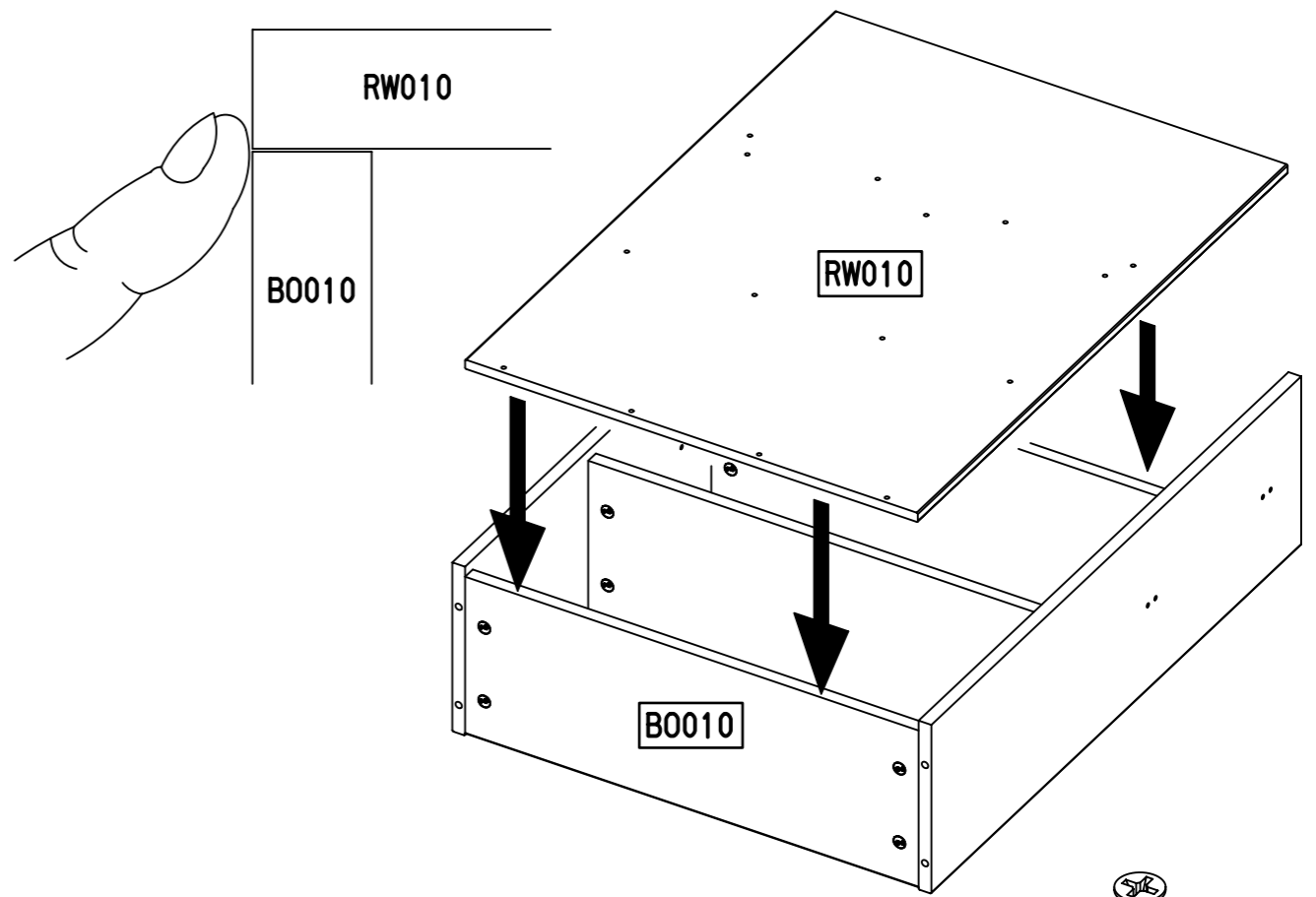
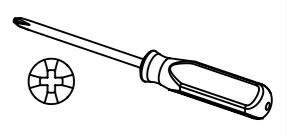


6

12x 813

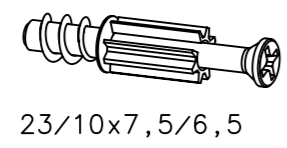


4x35

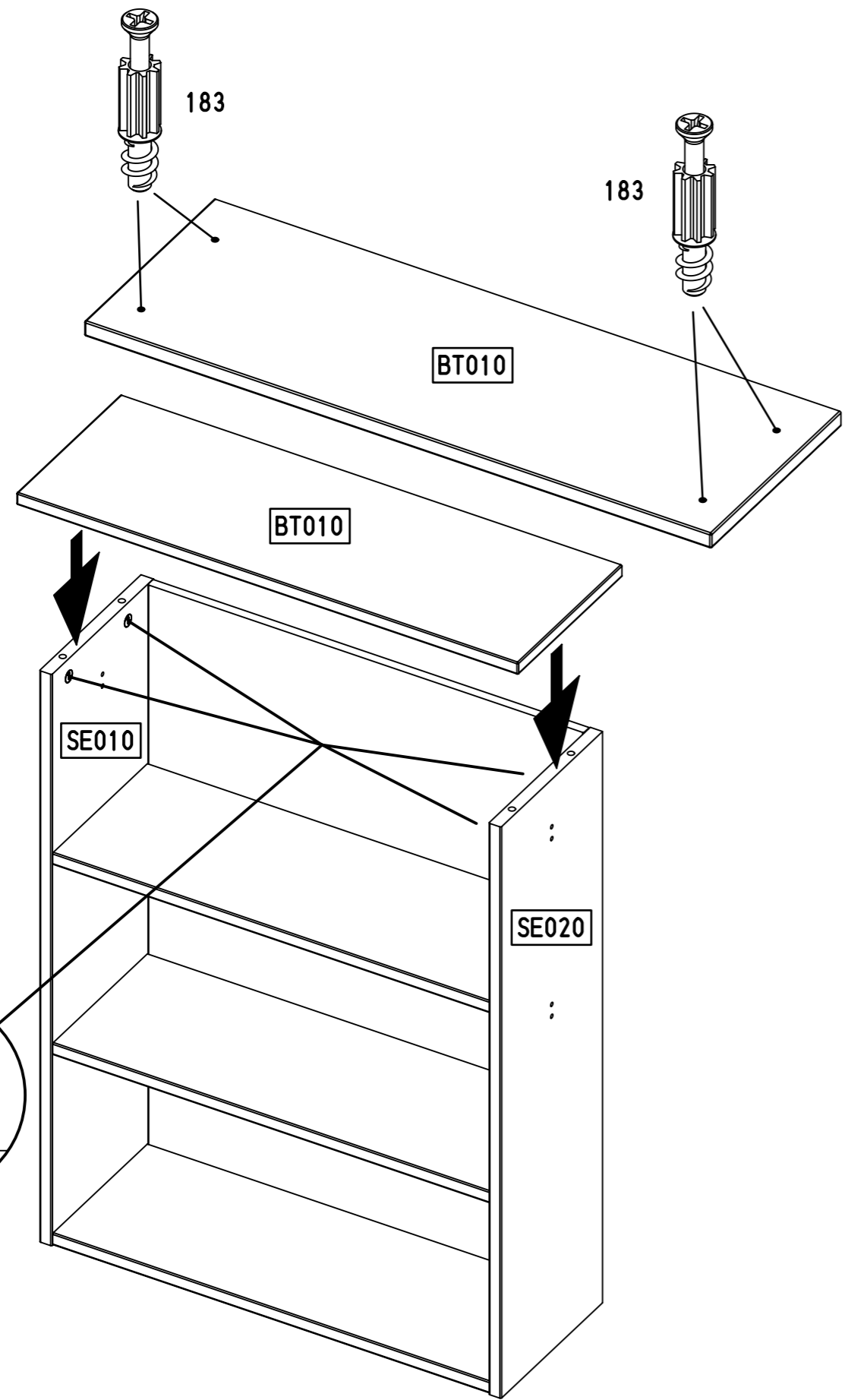
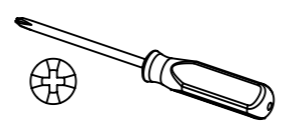


7

4x 183

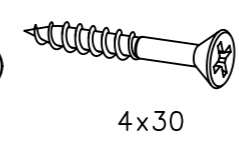


23/10x7,5/6,5

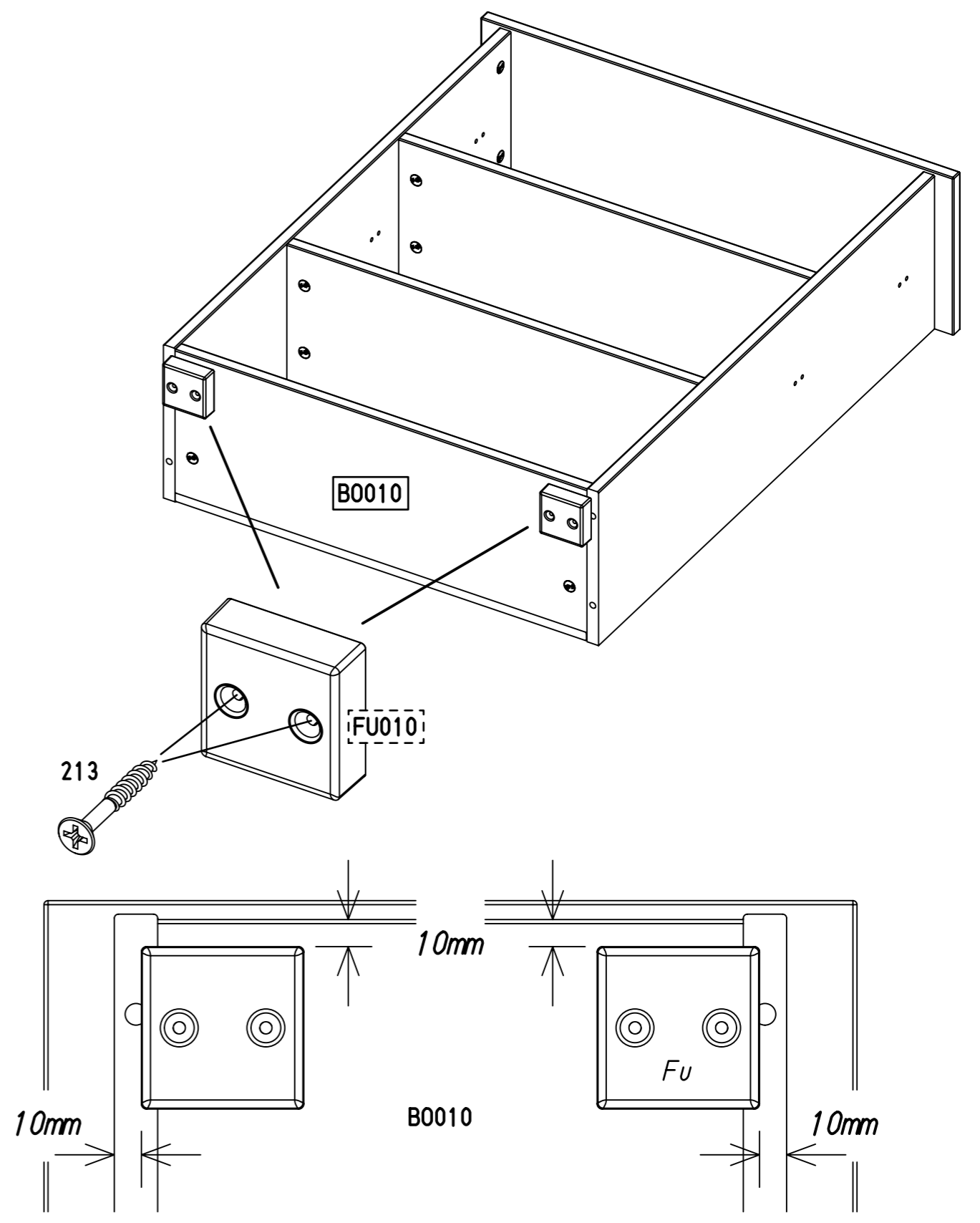
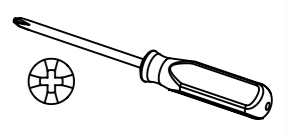


8

4x 213



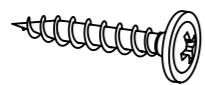
4x30



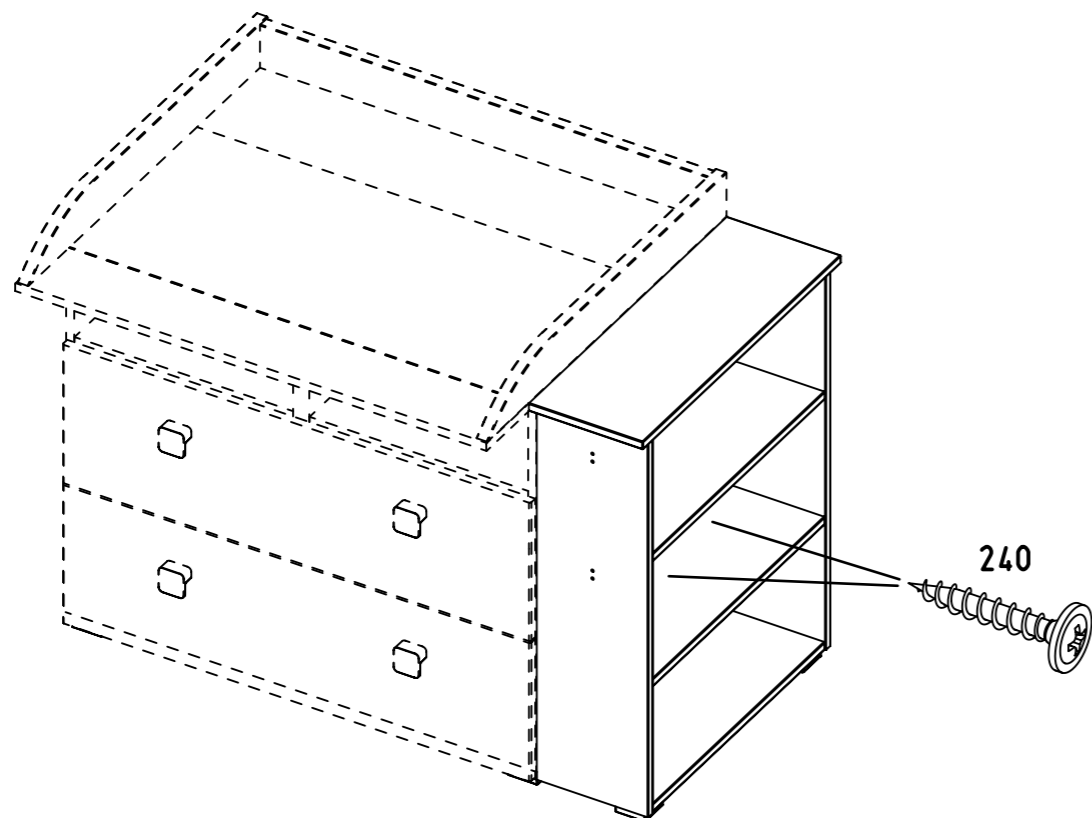
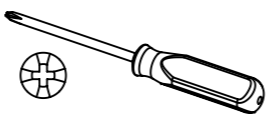
11.

9

2x 240

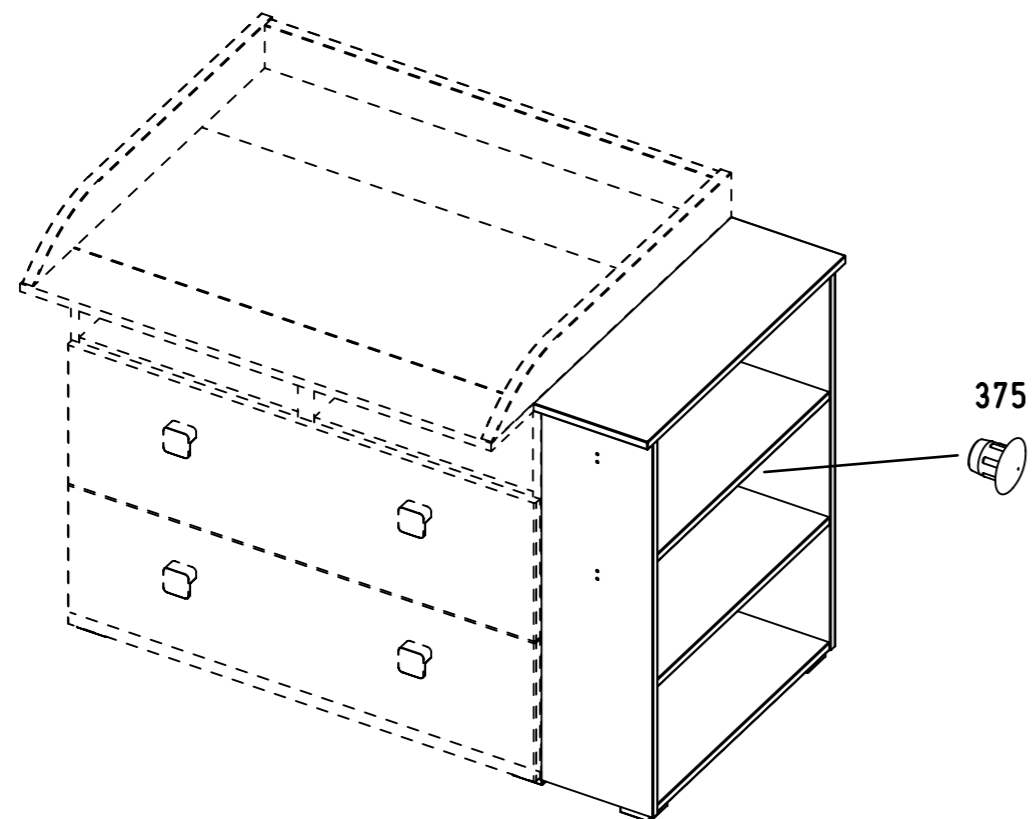


4x25



10

1x 375

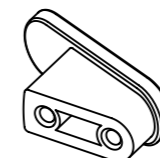


M2319

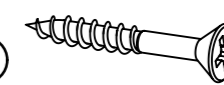
12.

11

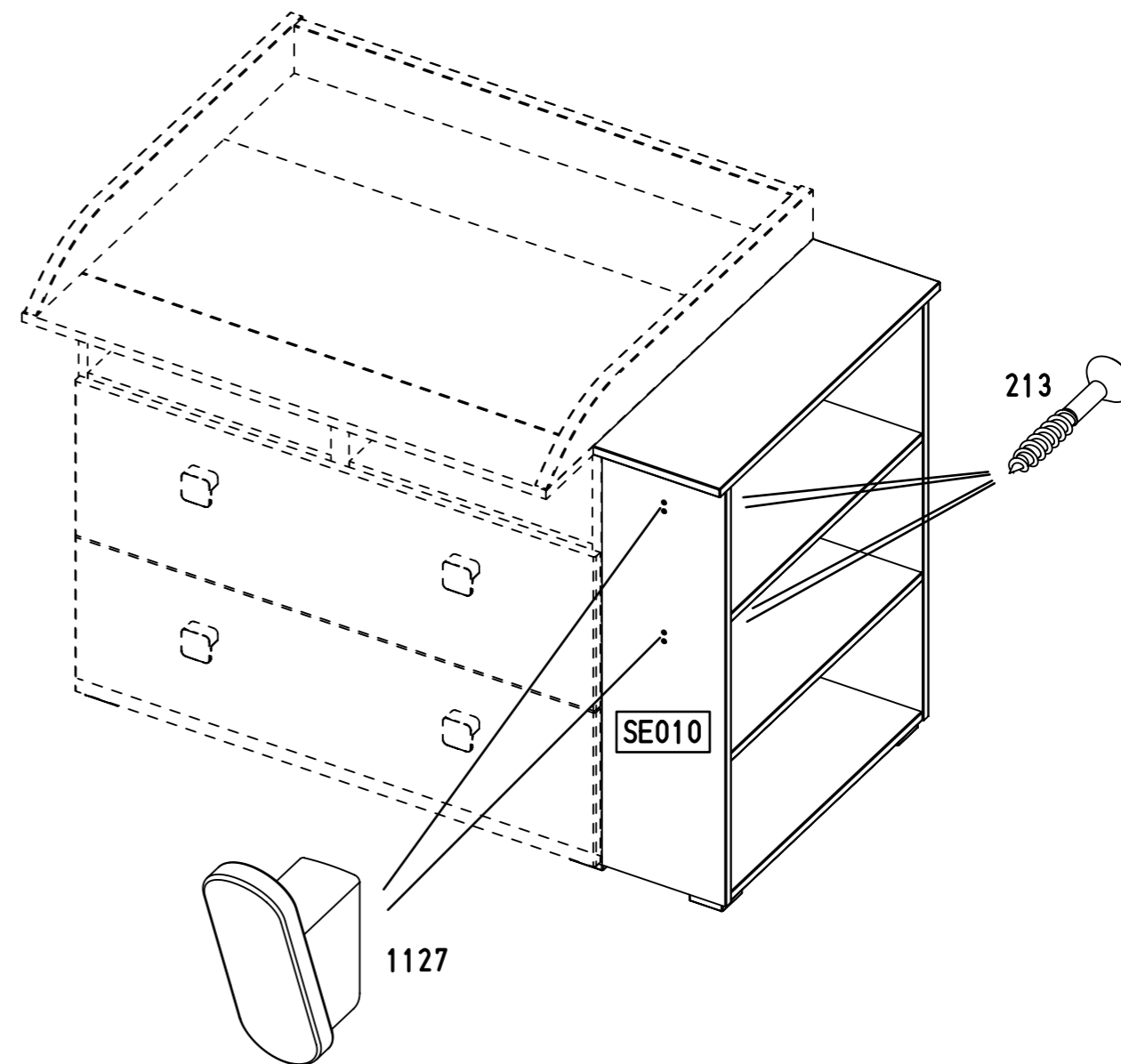
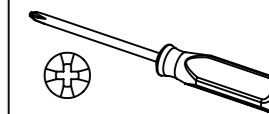
2x 1127



4x 213



4x30



M2319