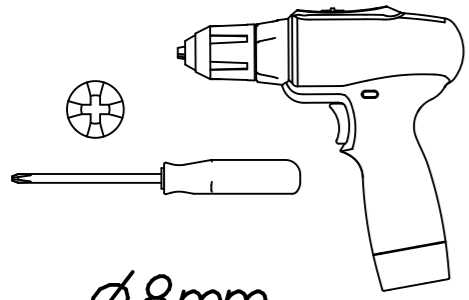


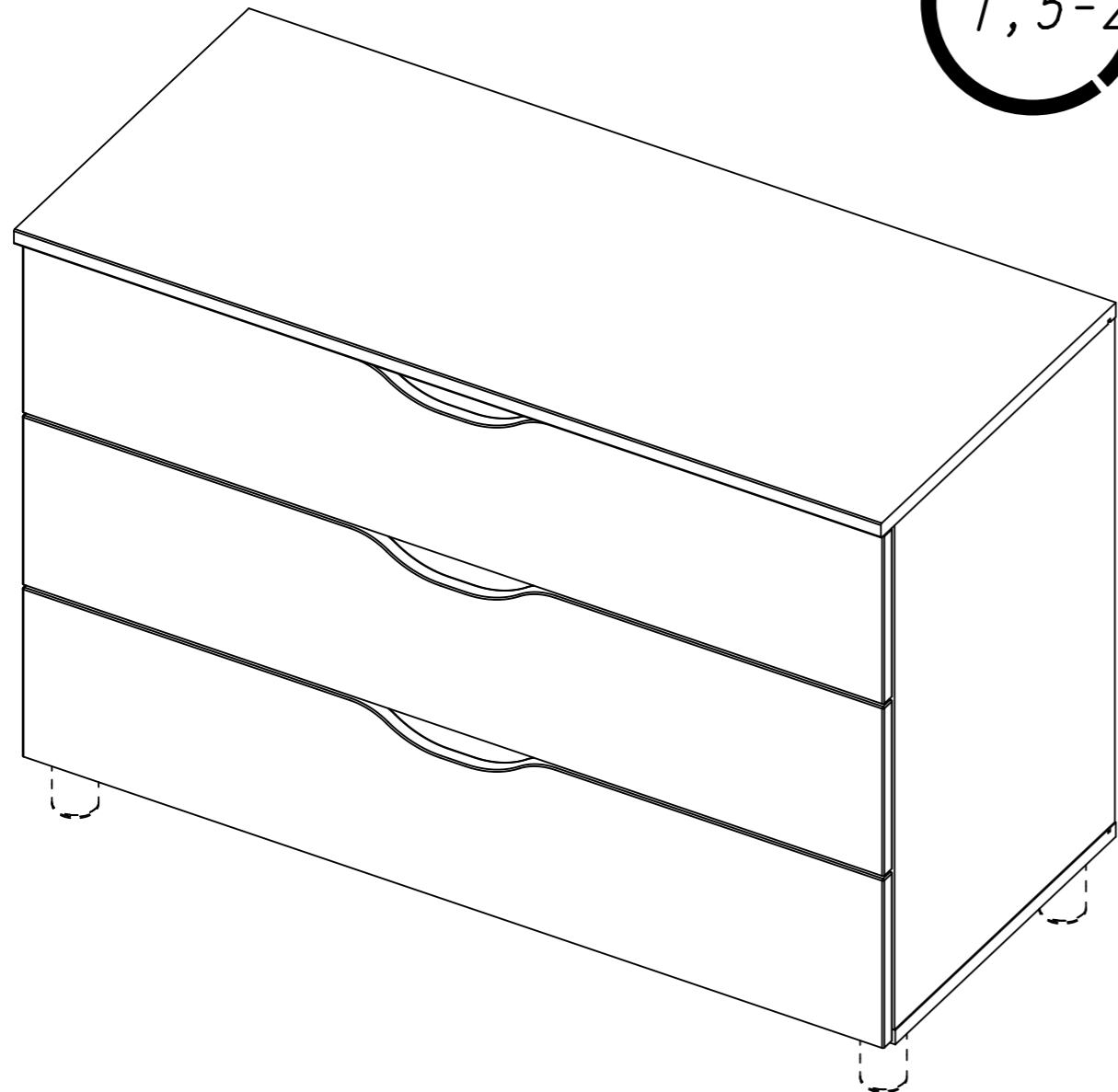
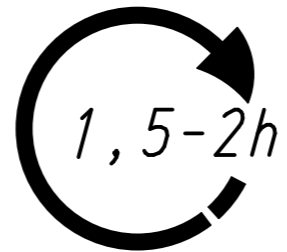
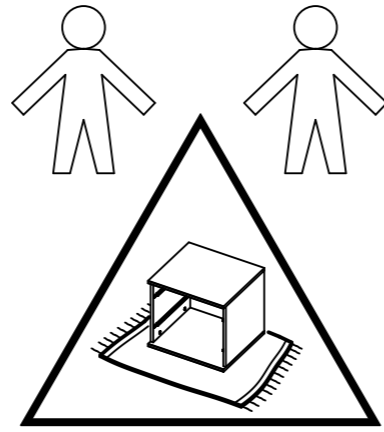
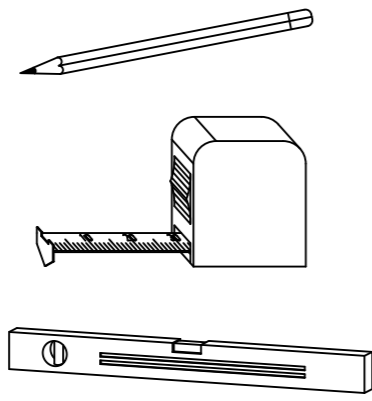
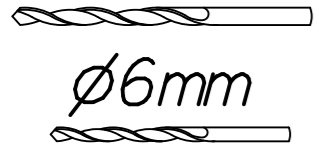
1.

M2260_06

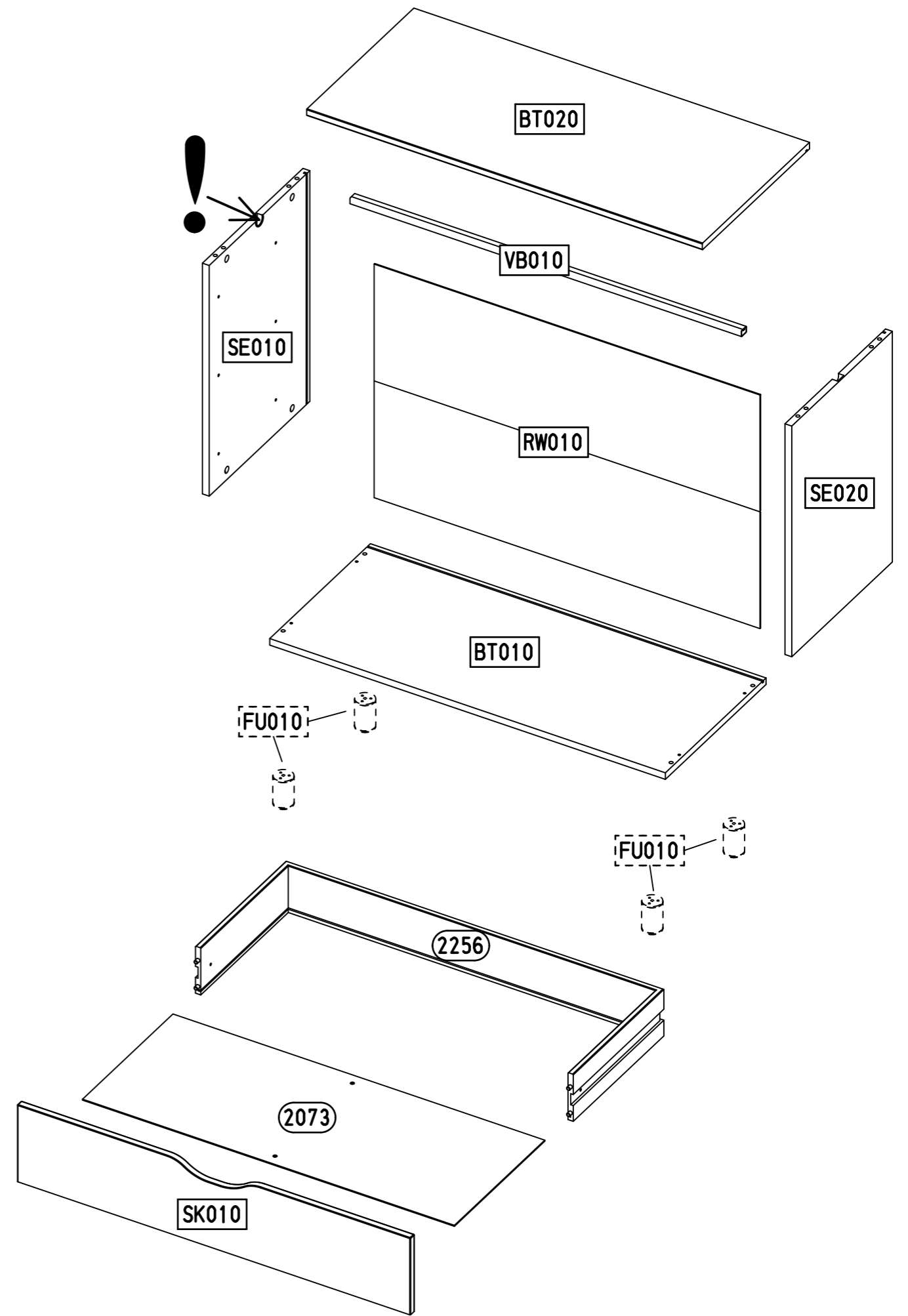


Ø8mm

Ø6mm

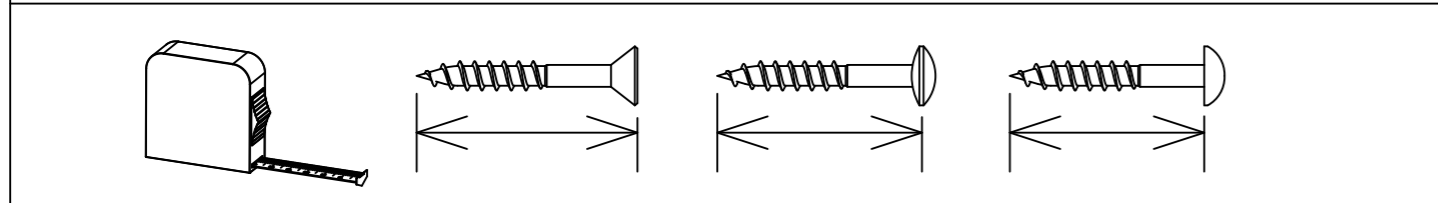
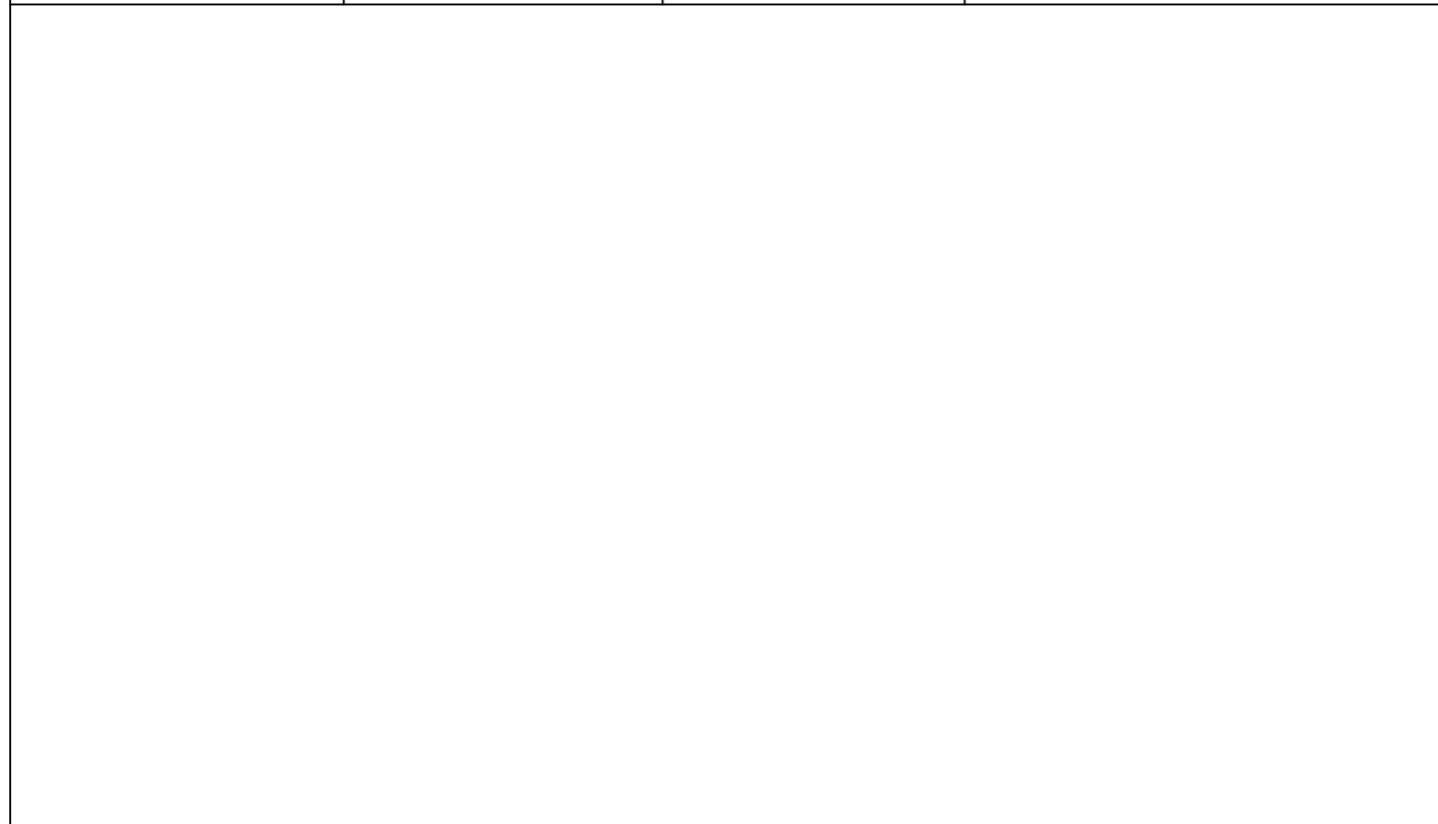


2.

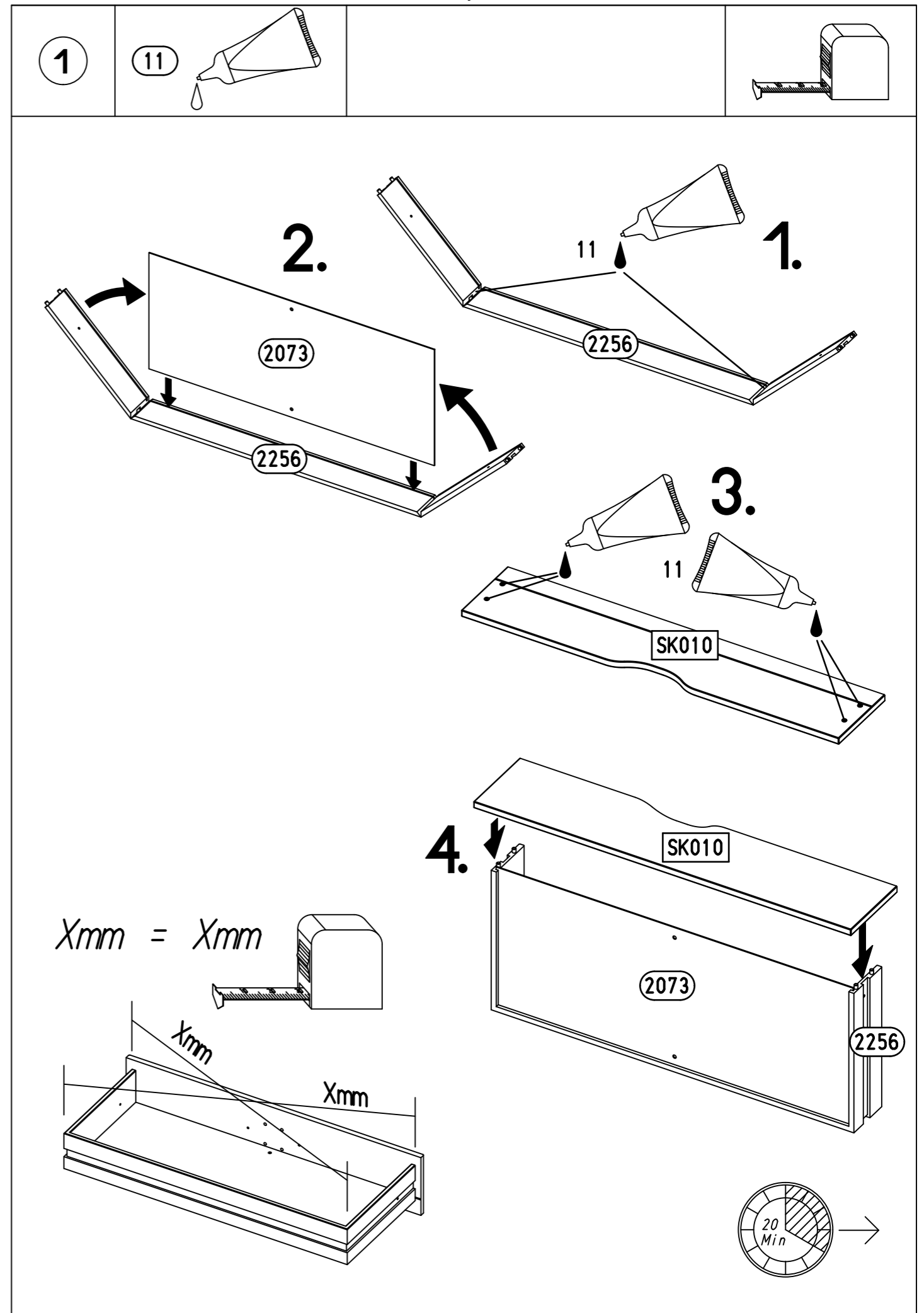


3.

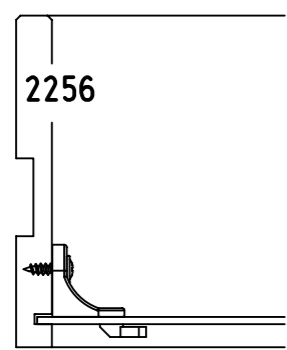
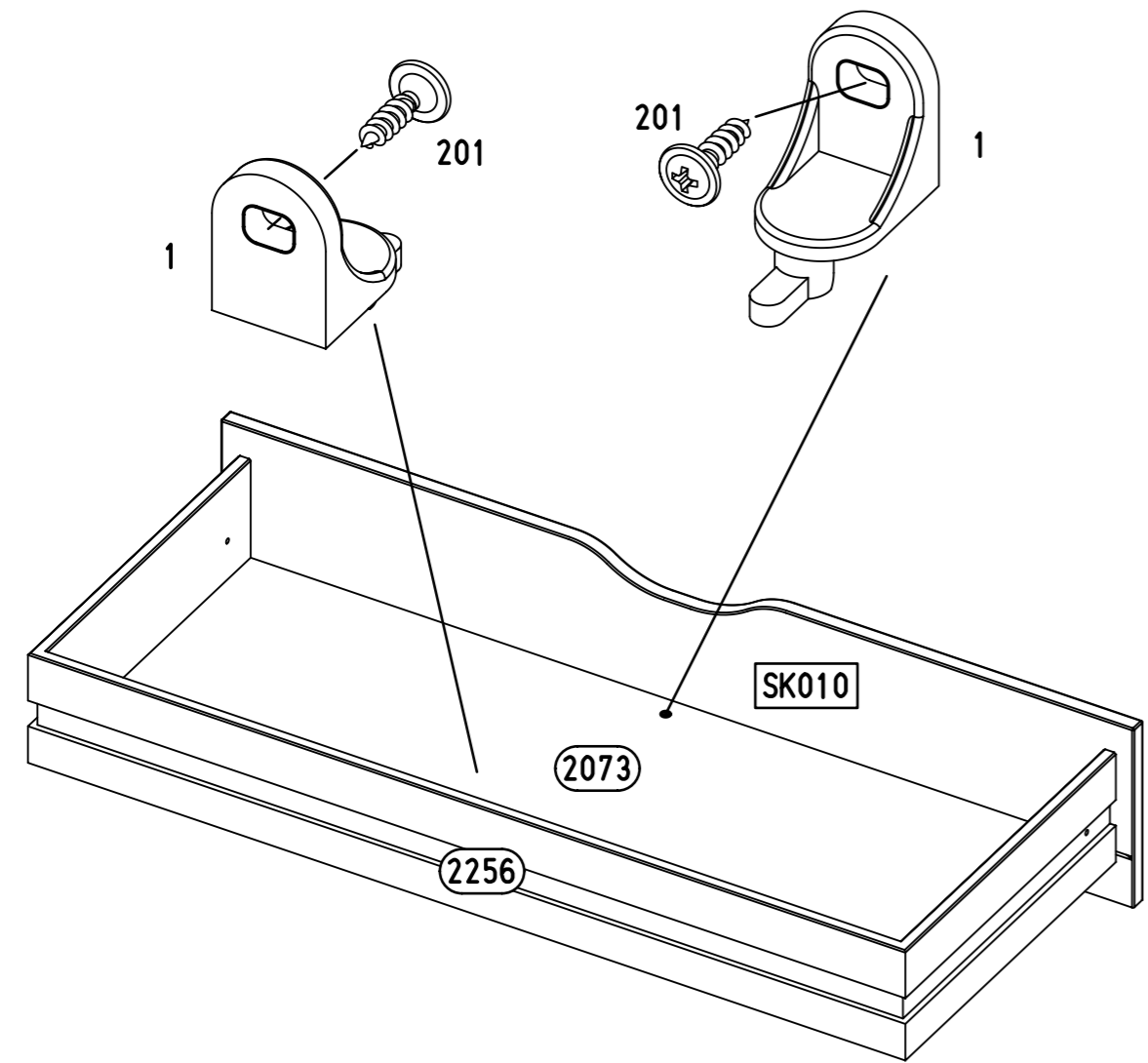
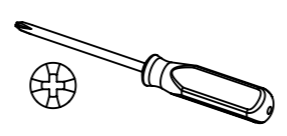
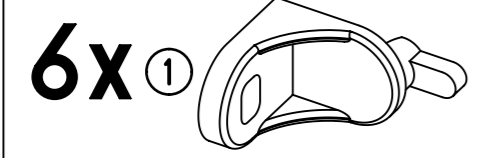
<p>6x (1)</p>	<p>(11)</p>	<p>8x (18)</p> <p>8x30</p>	<p>8x (183)</p> <p>23/10x7,5/6,5</p>
<p>6x (201)</p> <p>4x15</p>	<p>12x (227)</p> <p>6x10,5</p>	<p>6x (259)</p> <p>342x27x9,5</p>	
<p>8x (349)</p>	<p>6x (568)</p> <p>M4x9</p>	<p>4x (45)</p>	<p>VB010</p>



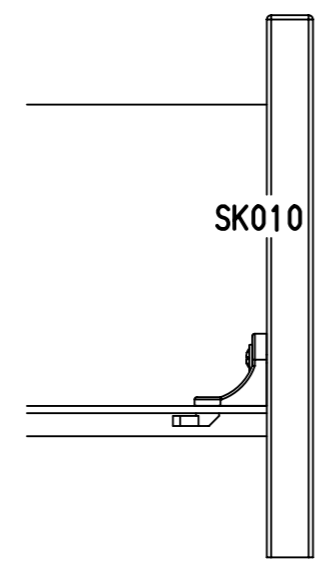
4.



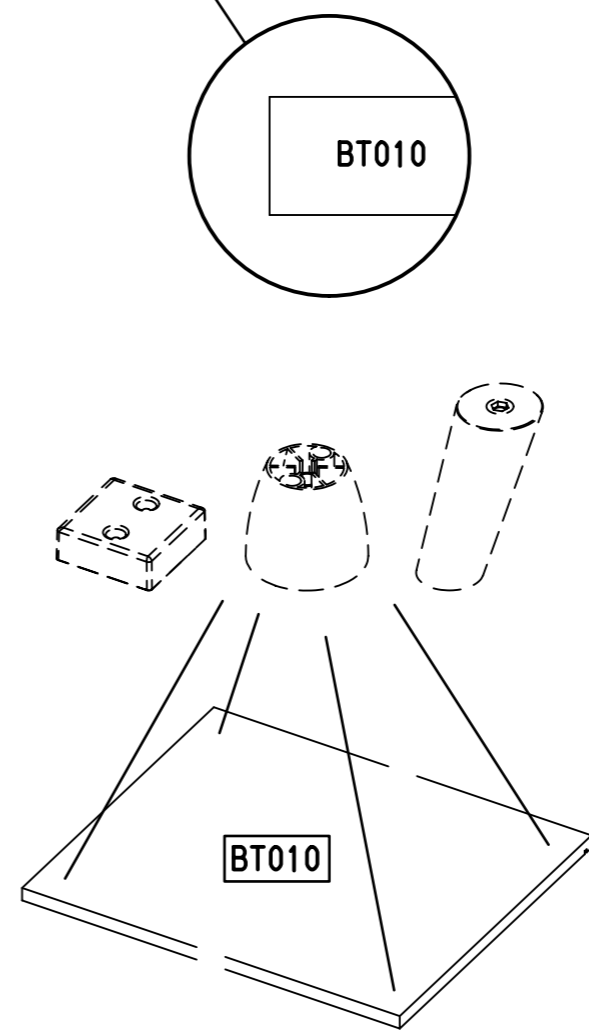
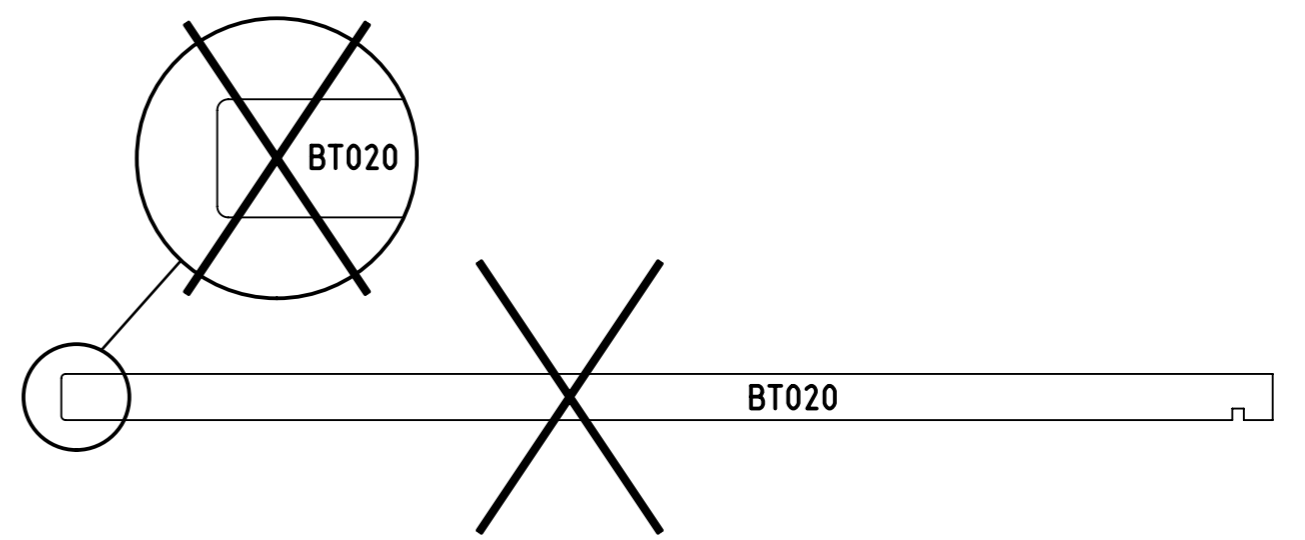
2



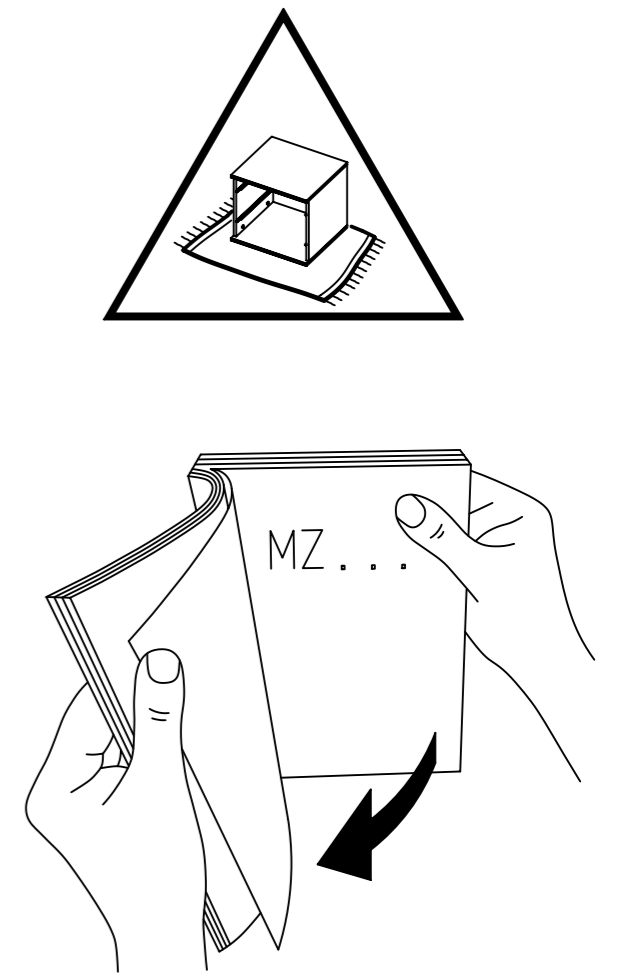
2073



3

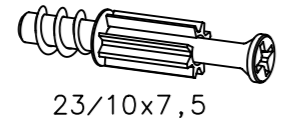


? [FU010]

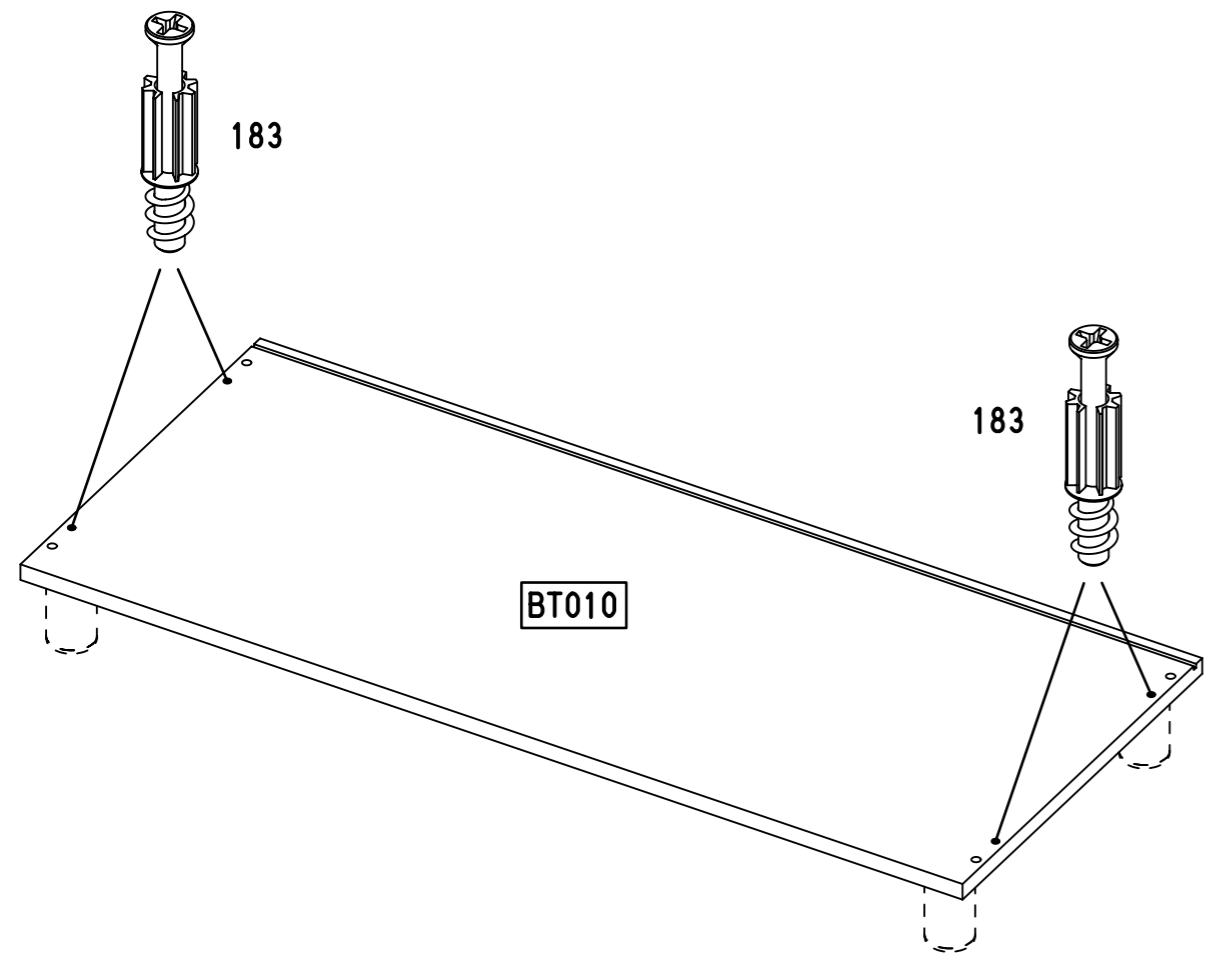
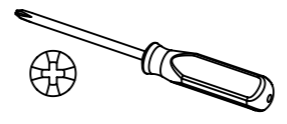


4

4x 183



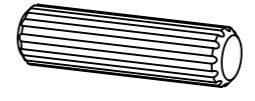
23/10x7,5



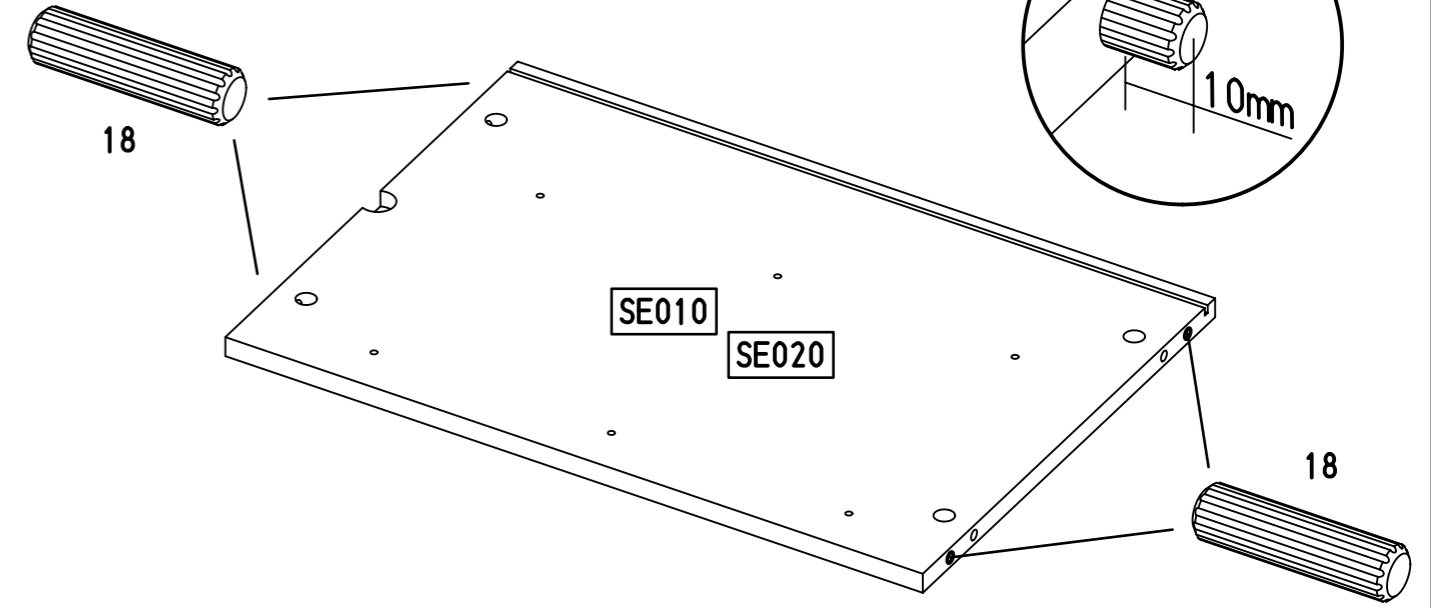
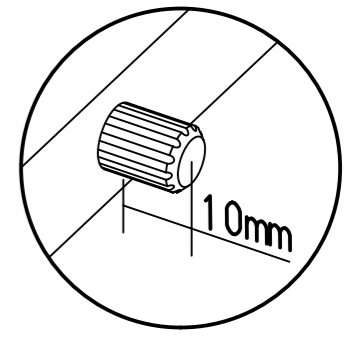
BT010

5

8x 18



8x30

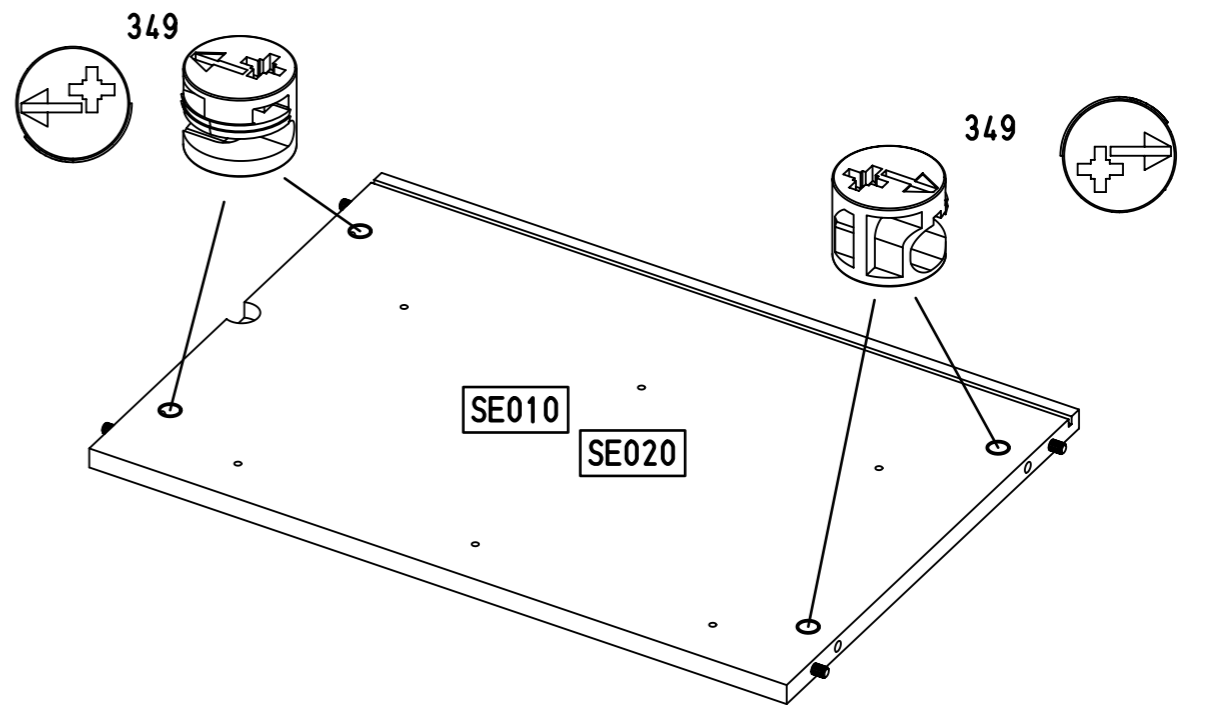
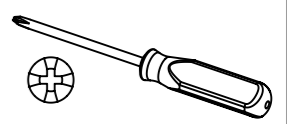


SE010

SE020

6

8x 349



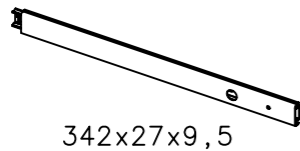
SE010

SE020

9.

7

3x 259

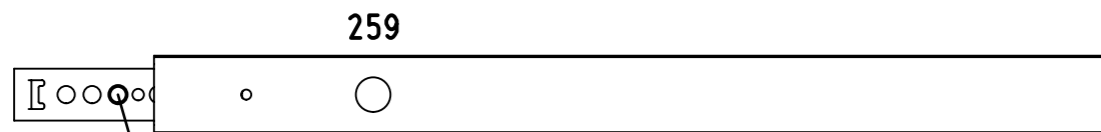
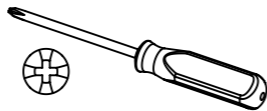


342x27x9,5

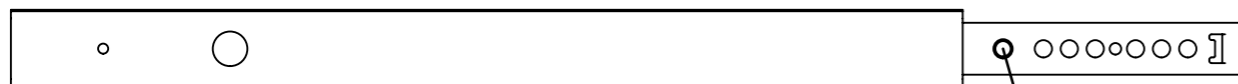
6x 227



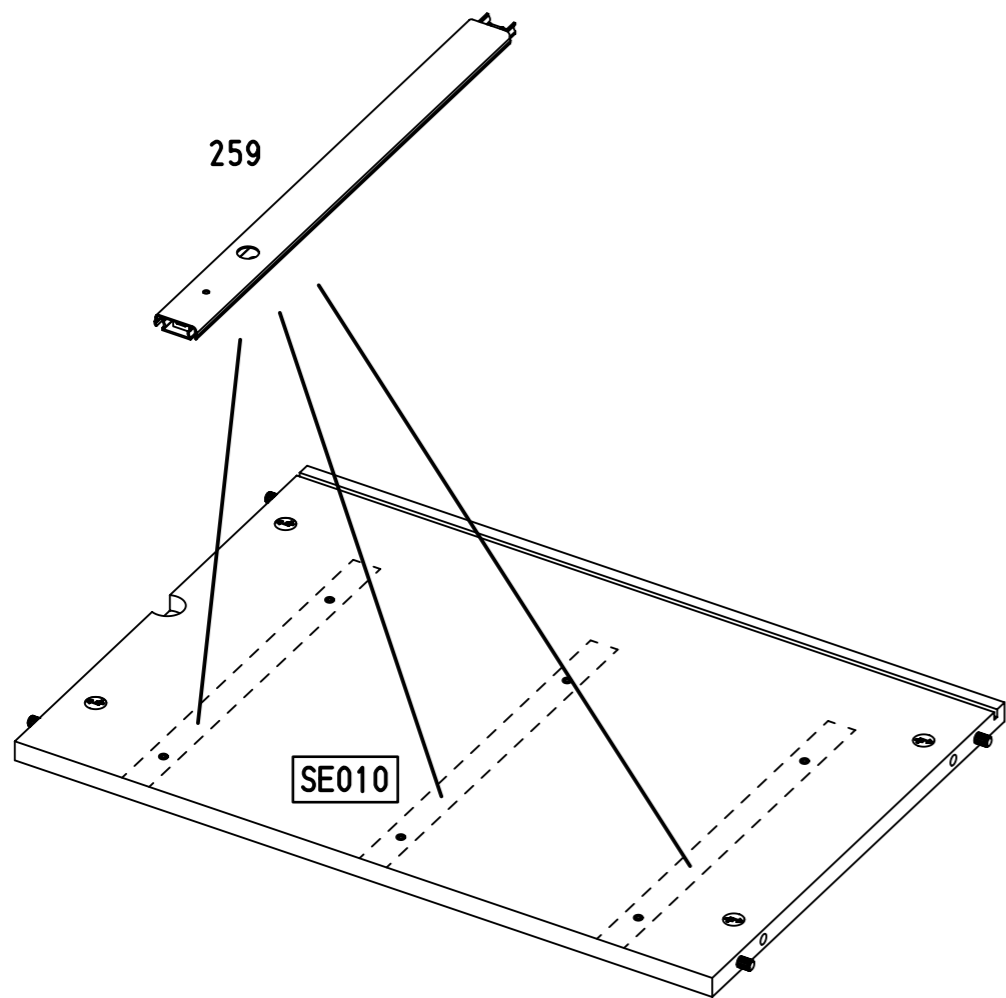
6x10,5



1. 227



2. 227

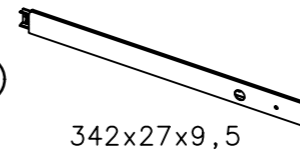


SE010

10.

8

3x 259

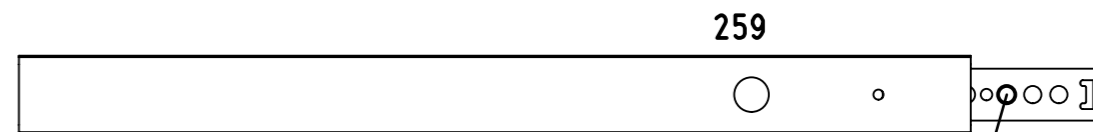
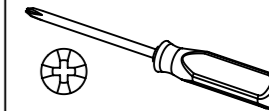


342x27x9,5

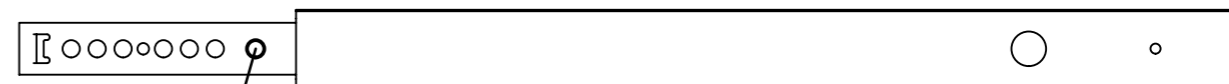
6x 227



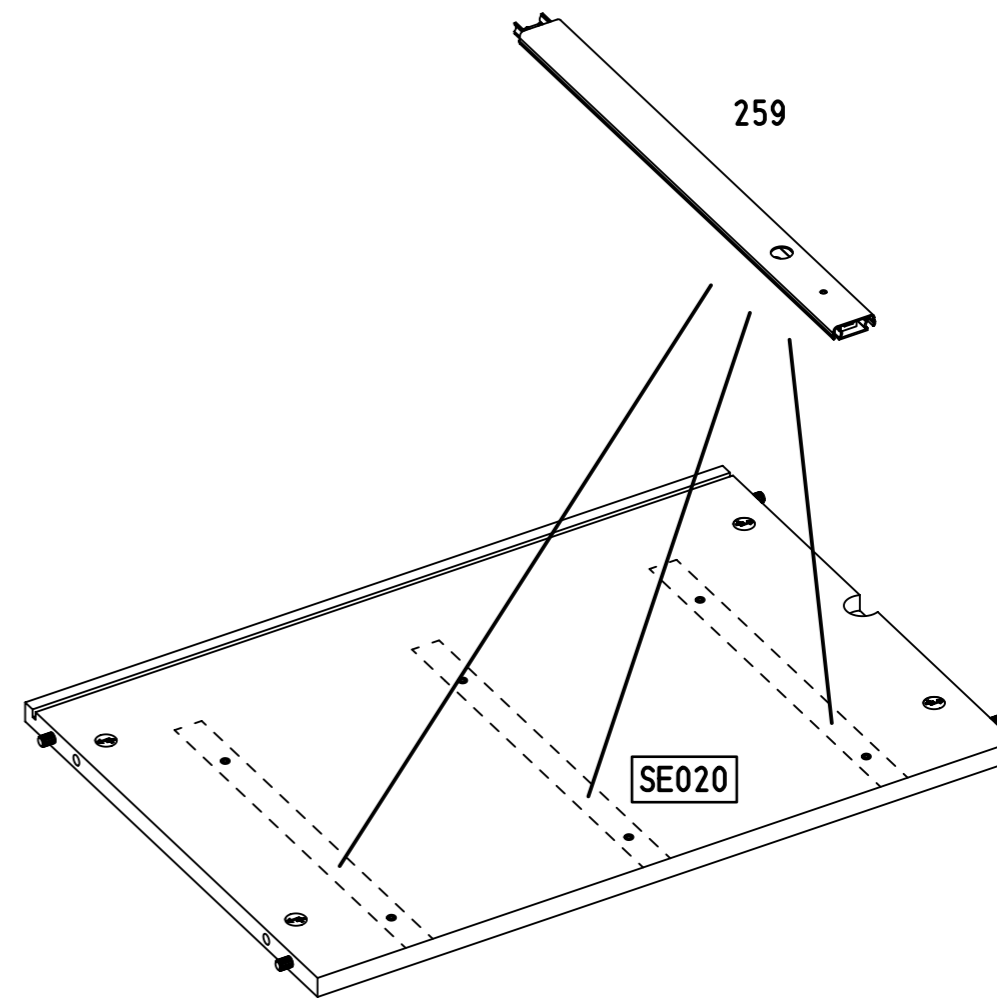
6x10,5



1. 227

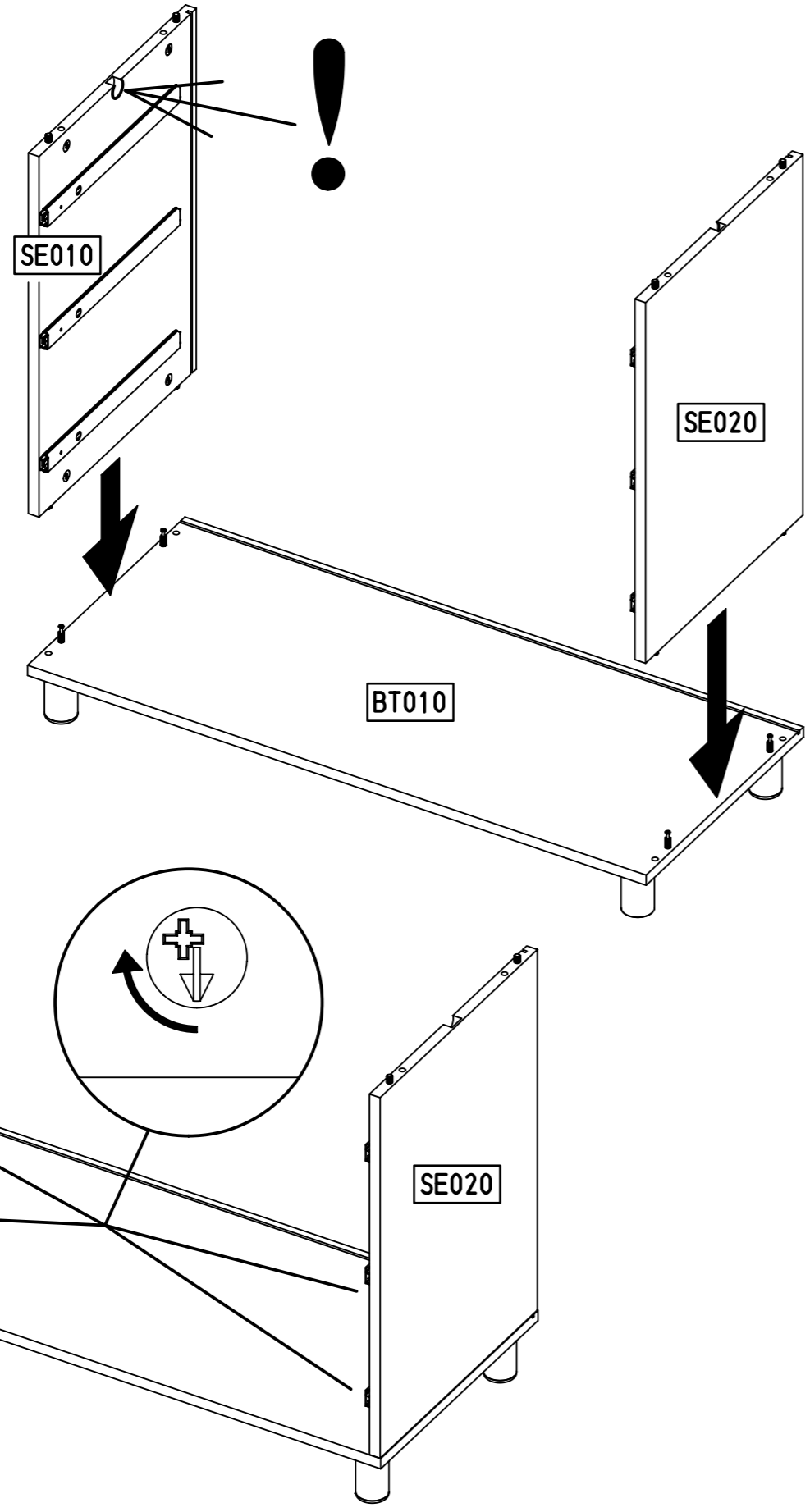
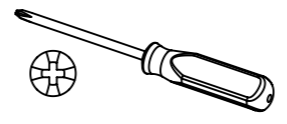


2. 227

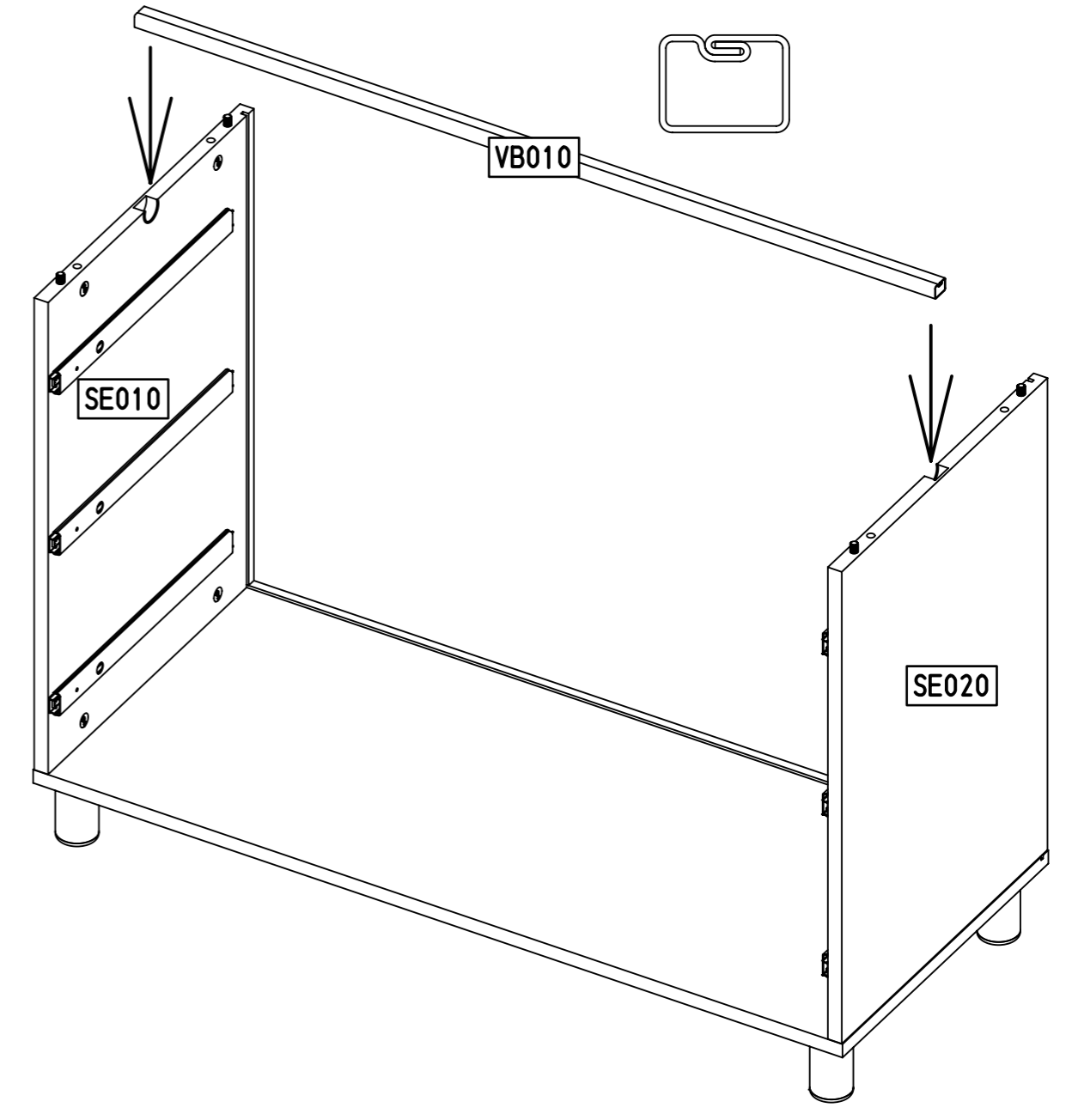


SE020

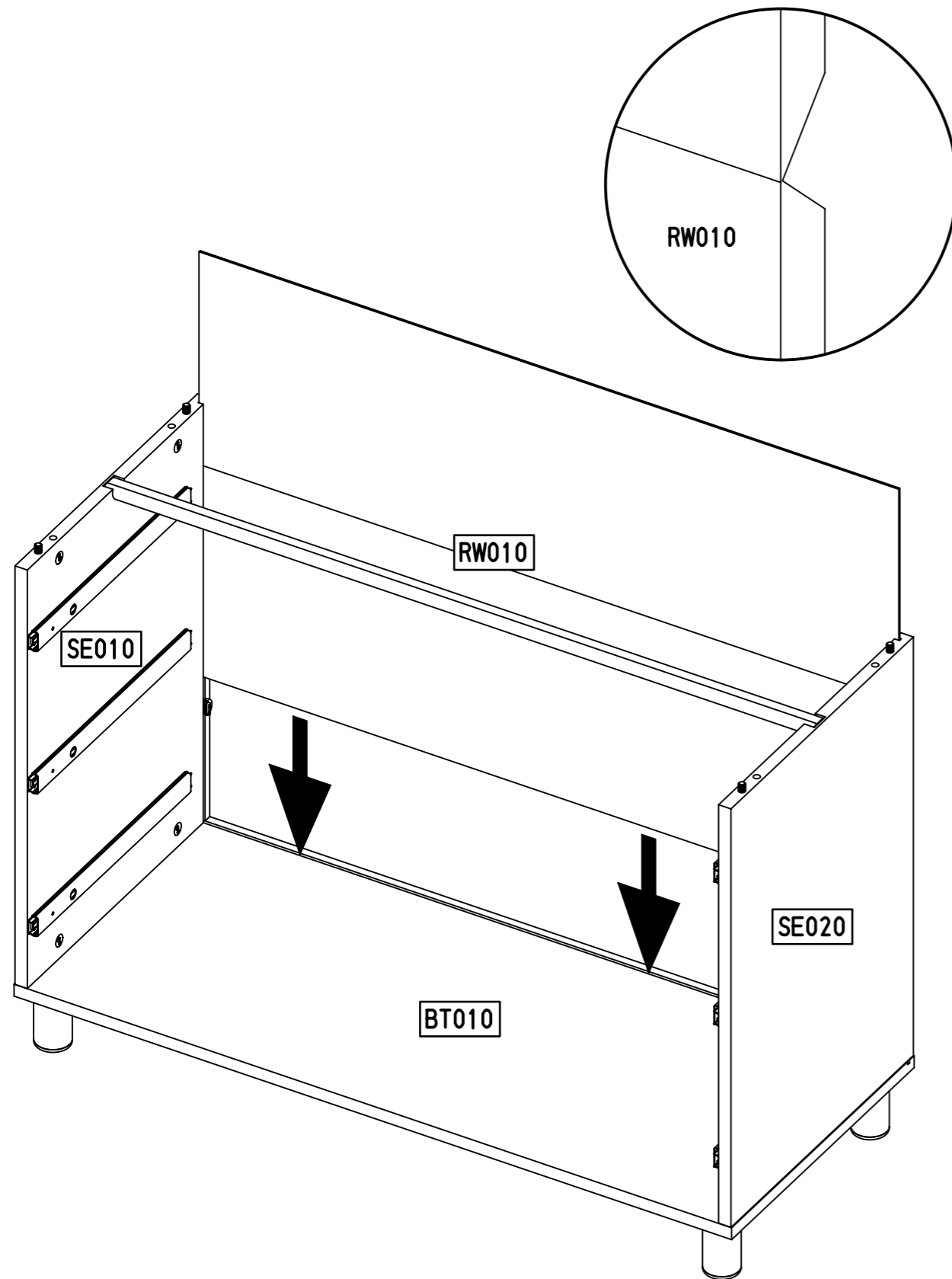
9



10



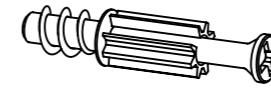
11



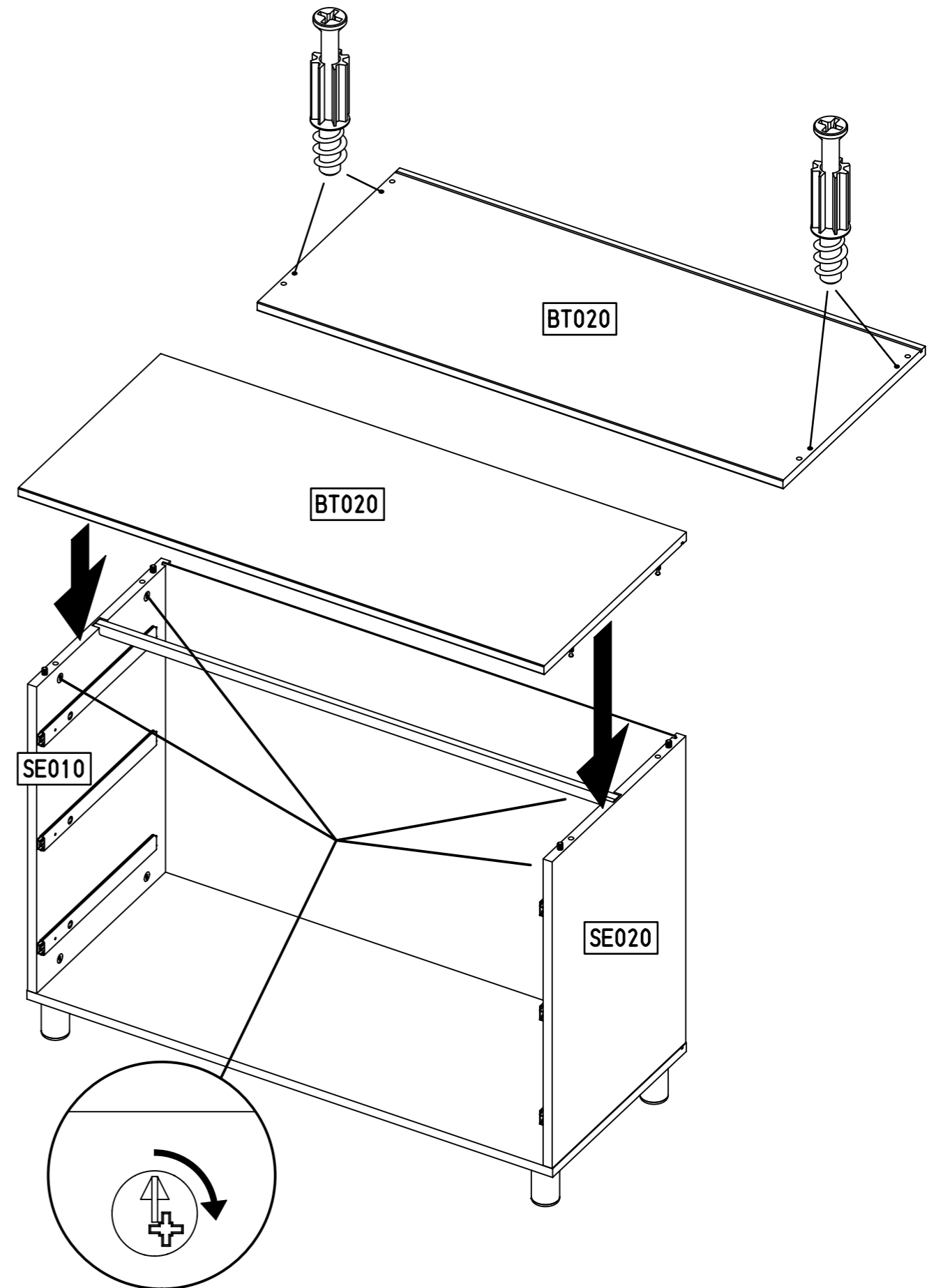
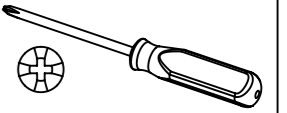
12

4x

183



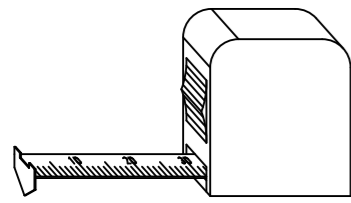
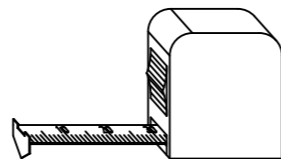
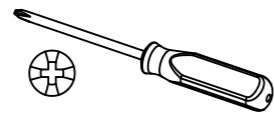
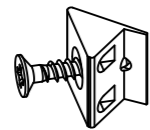
23/10x7,5



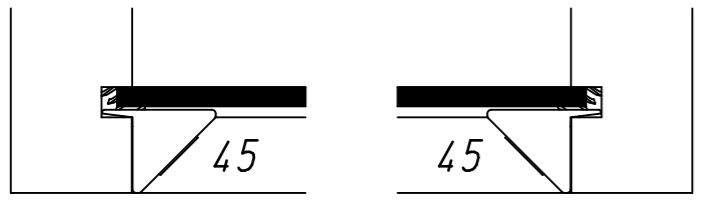
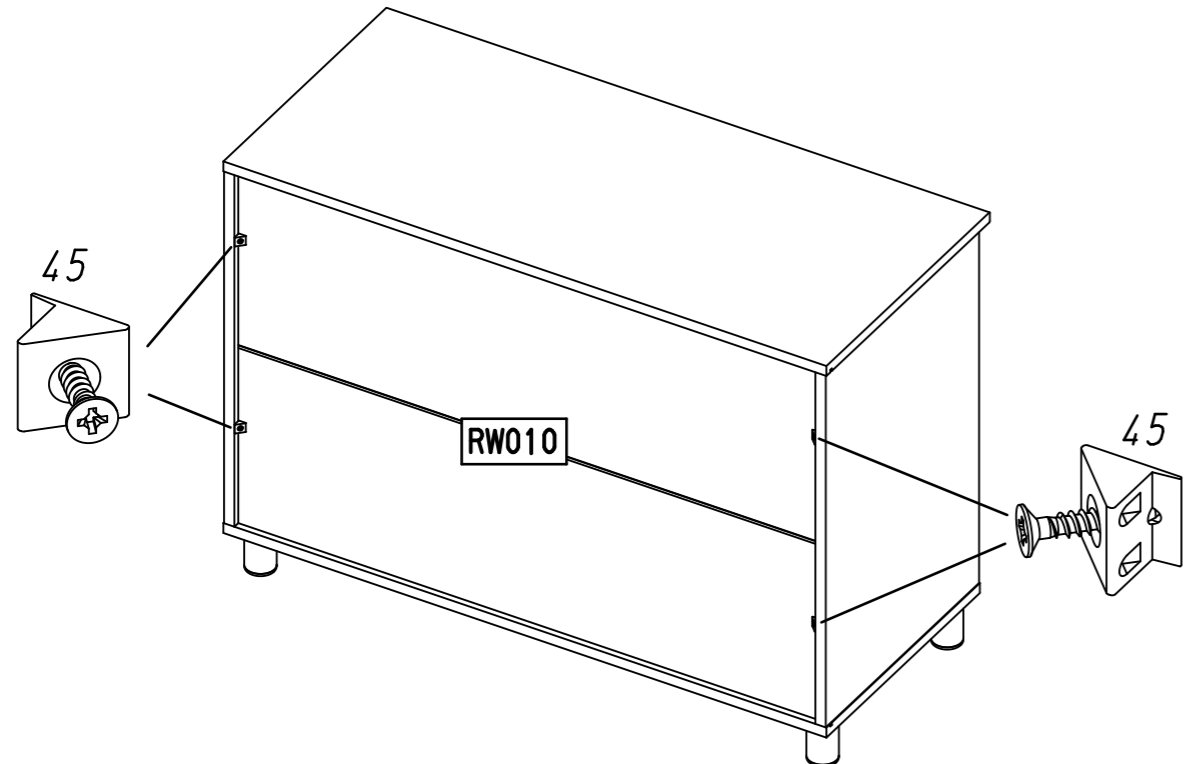
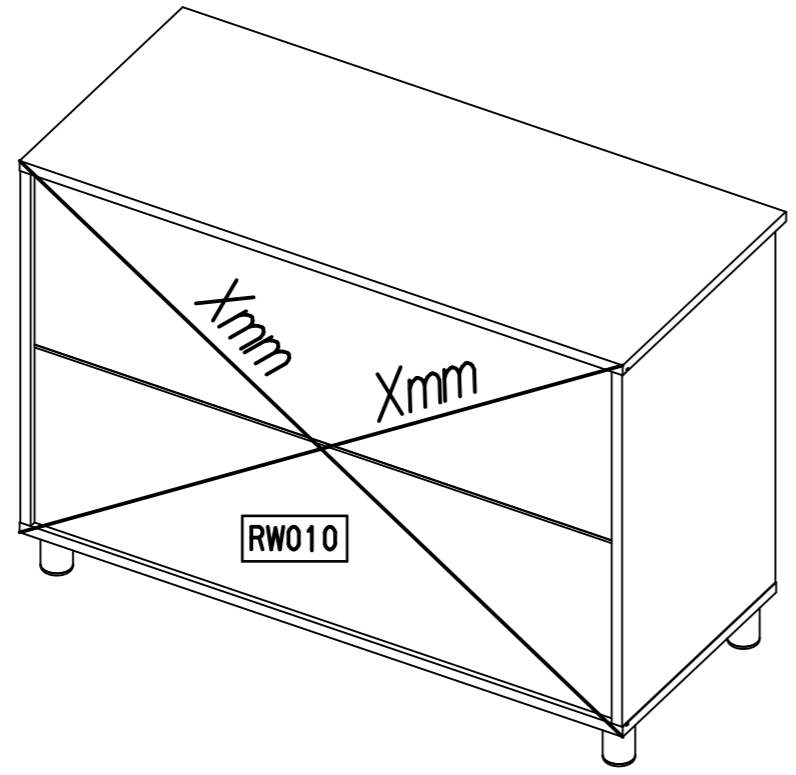
15.

13

4x 45



Xmm = Xmm



M2260

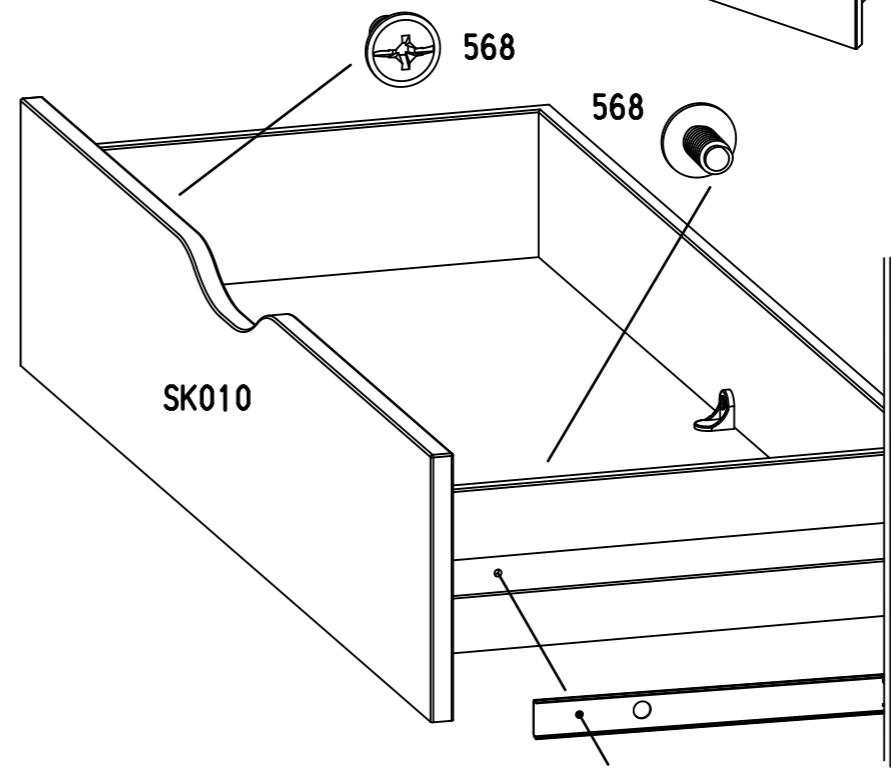
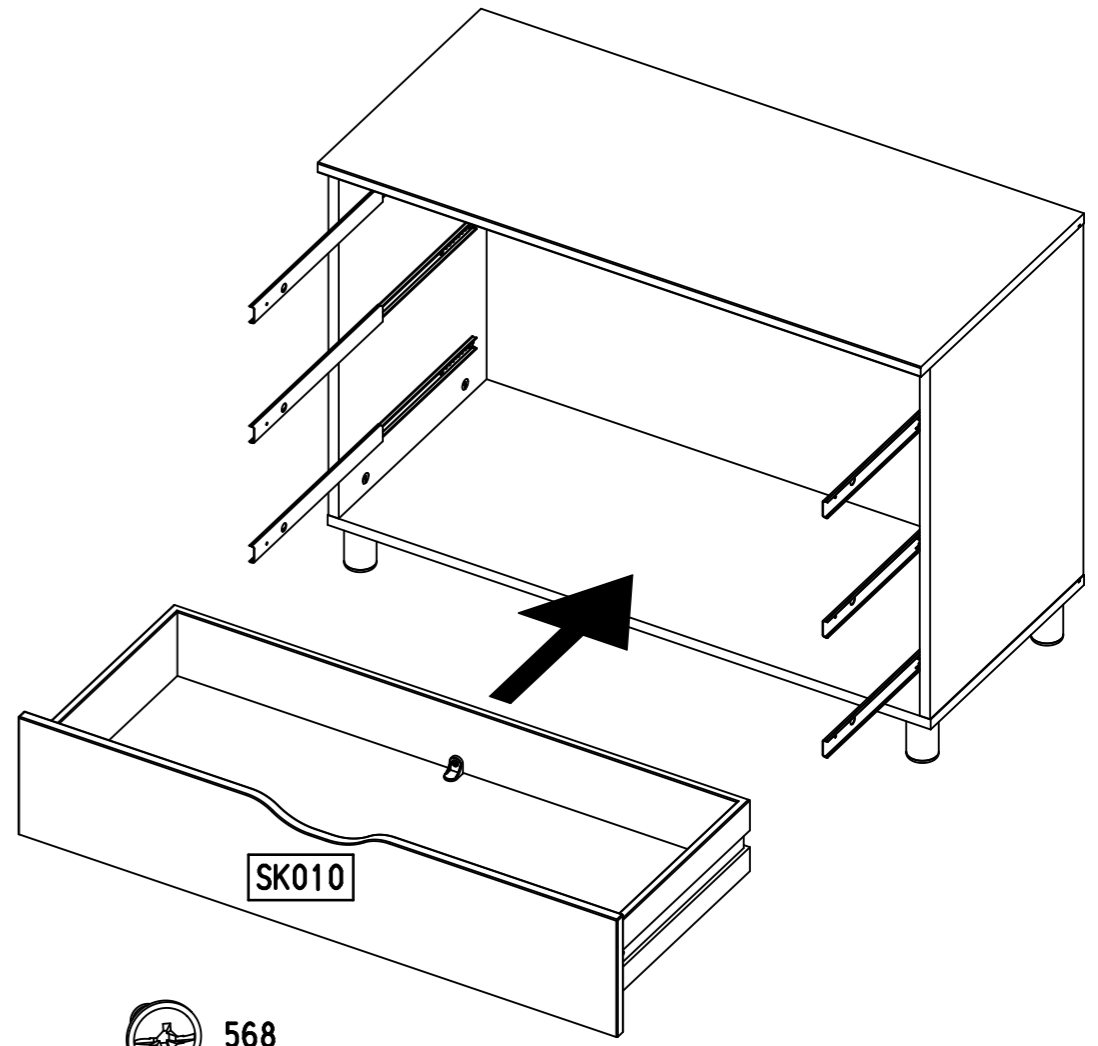
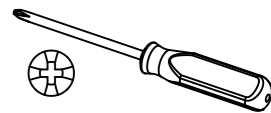
16.

14

6x 568



M4x9



M2260