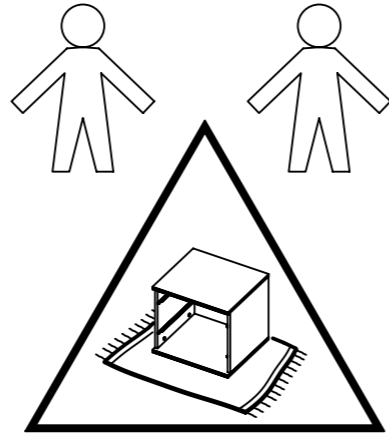
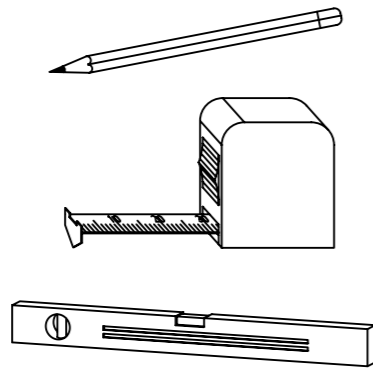
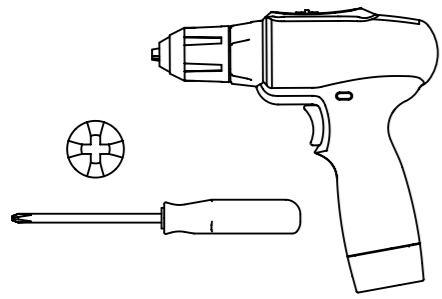


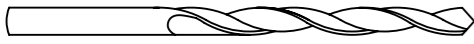
1.

M2249_03

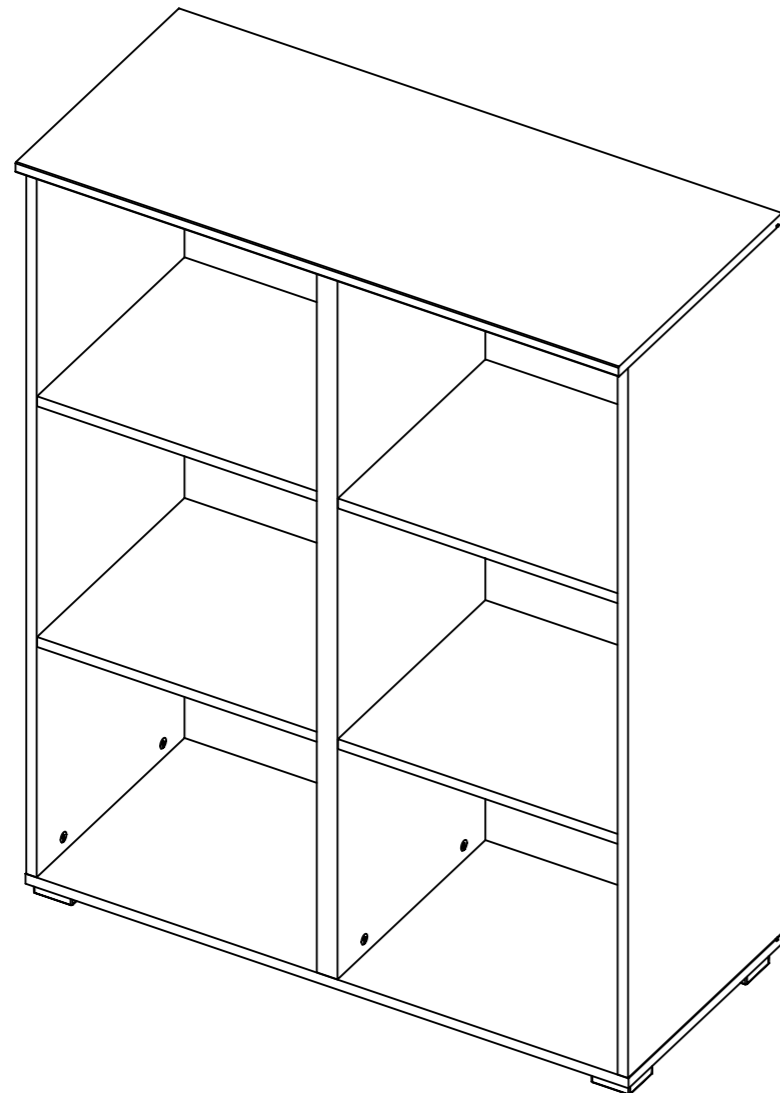
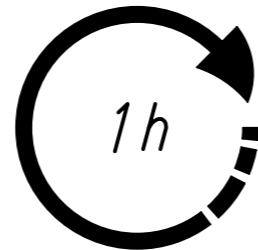
rauch



Ø8mm

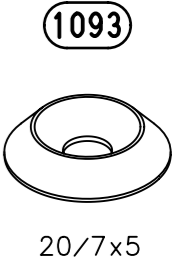
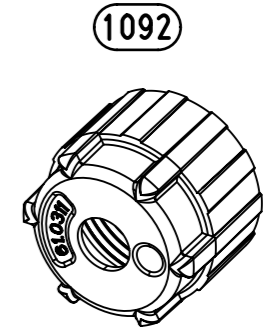
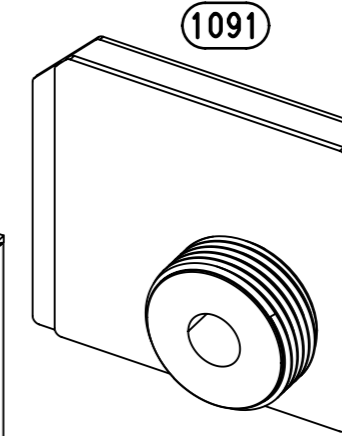
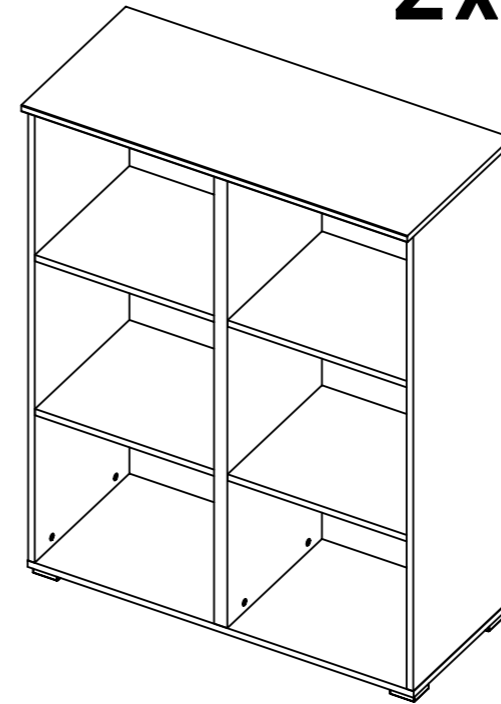


Ø6mm

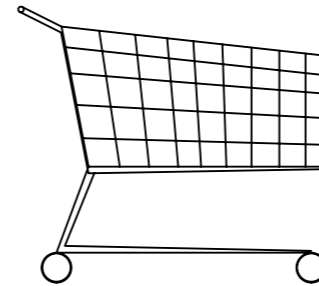
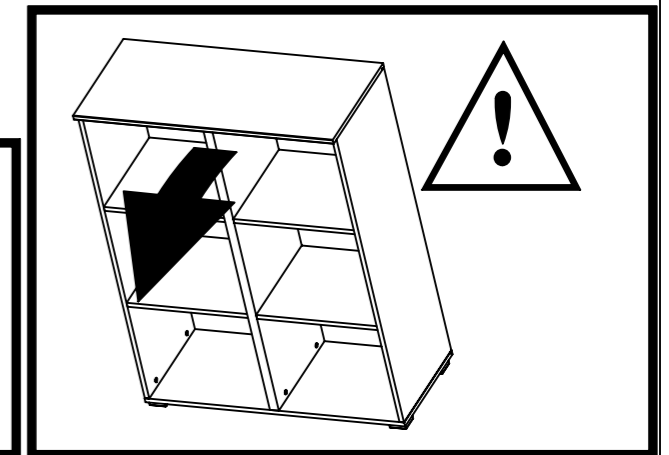
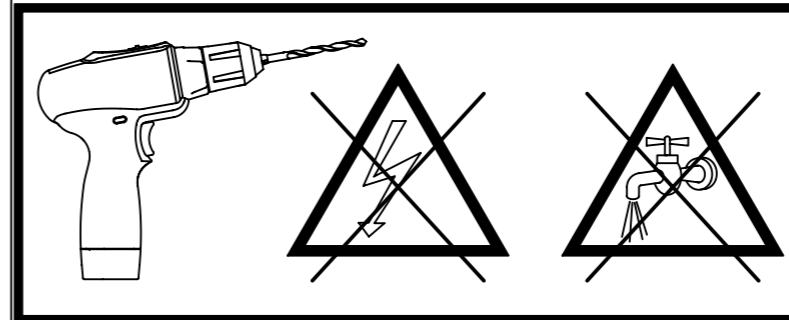
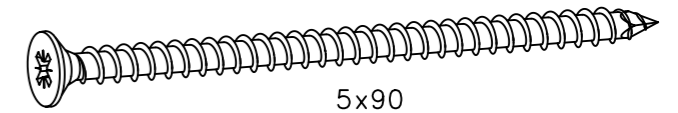


2.

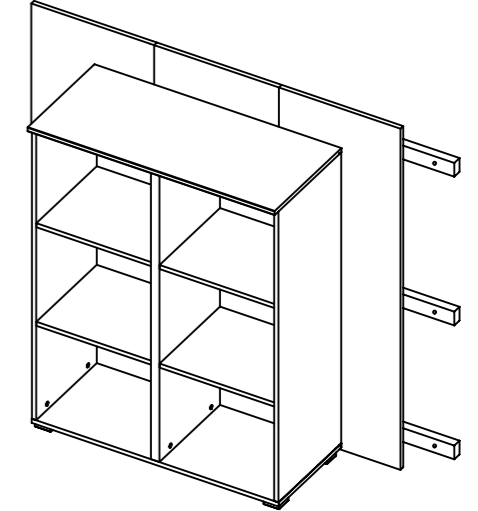
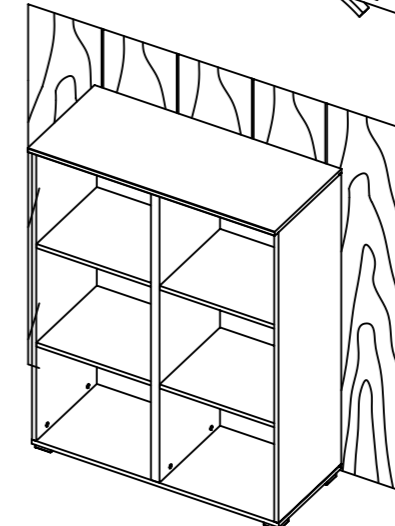
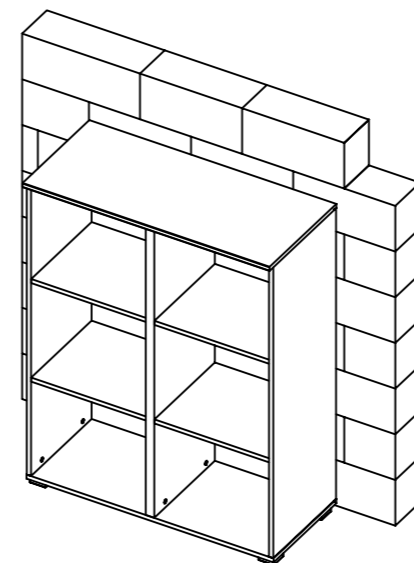
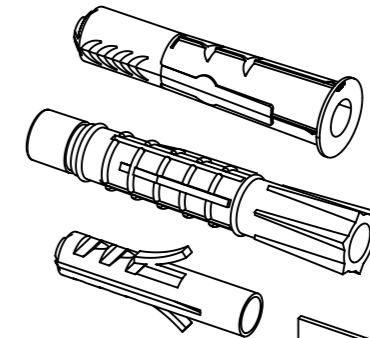
2x



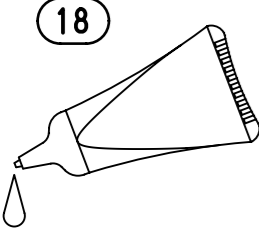
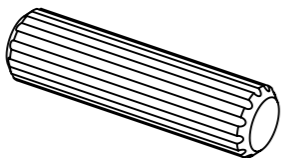
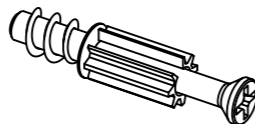
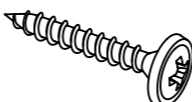
1147

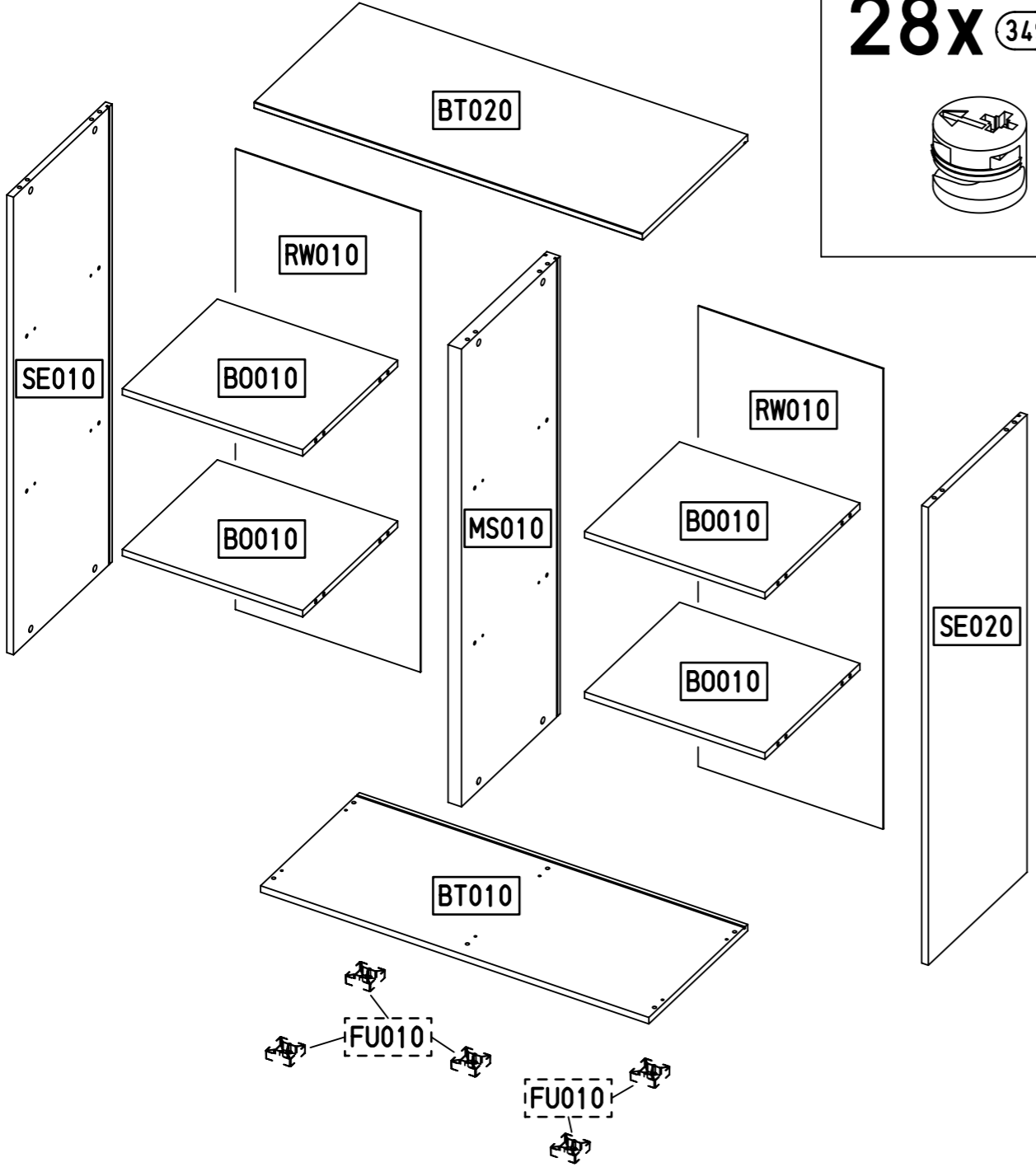


Ø8mm



3.

 <p>(18)</p>	<p>28x (18)</p>  <p>8x30</p>	<p>28x (183)</p>  <p>23/10x7,5/6,5</p>	<p>12x (215)</p>  <p>3x20</p>
---	--	---	---



BT020

RW010

SE010

B0010

B0010

MS010

RW010

B0010

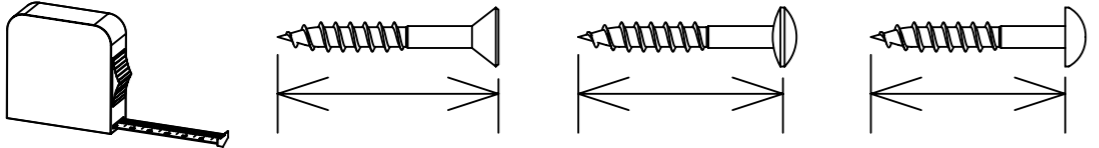
B0010

SE020

BT010

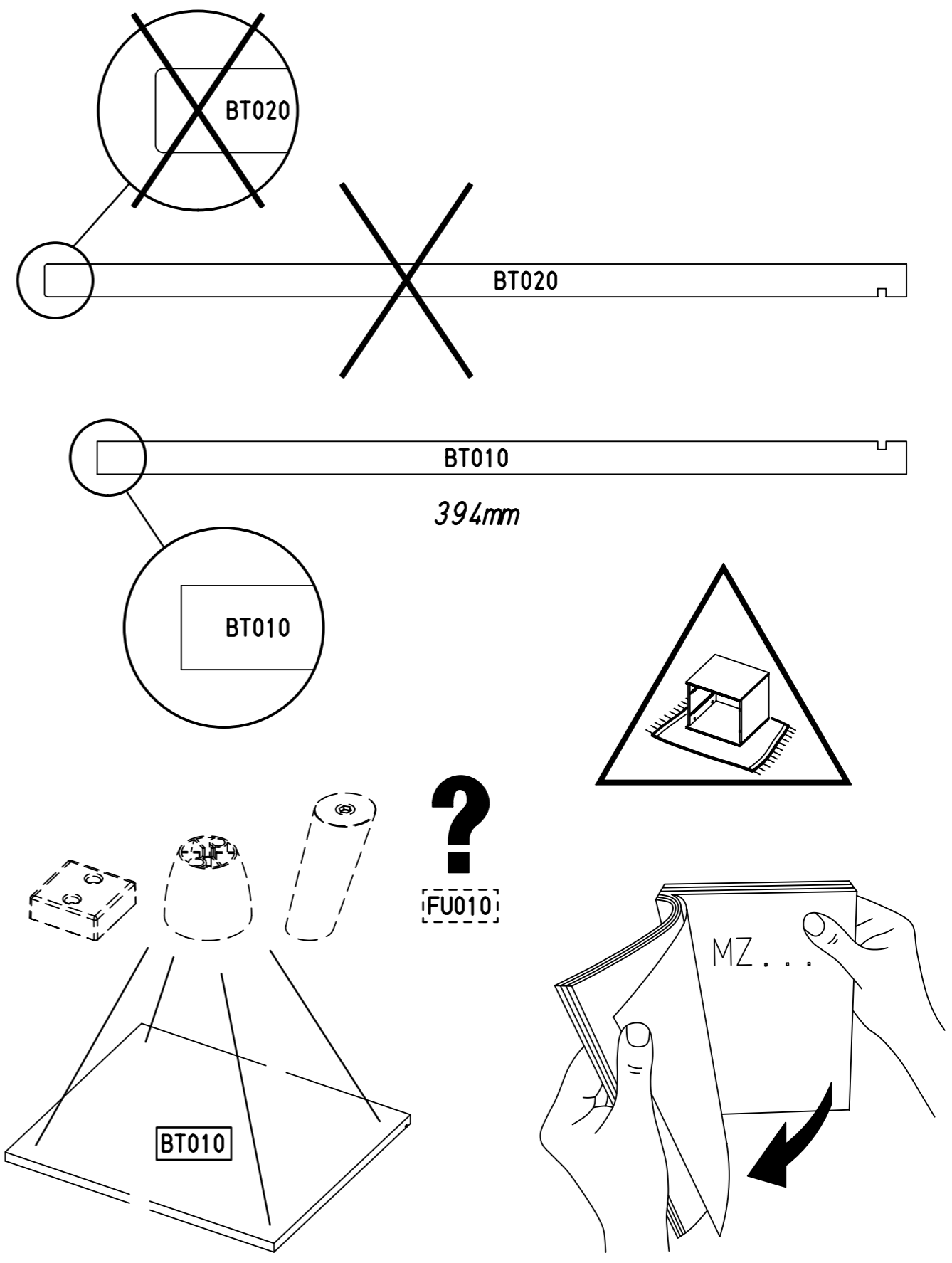
FU010

FU010



4.

1



~~BT020~~

~~BT020~~

BT010

394mm

BT010

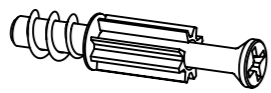
?

FU010

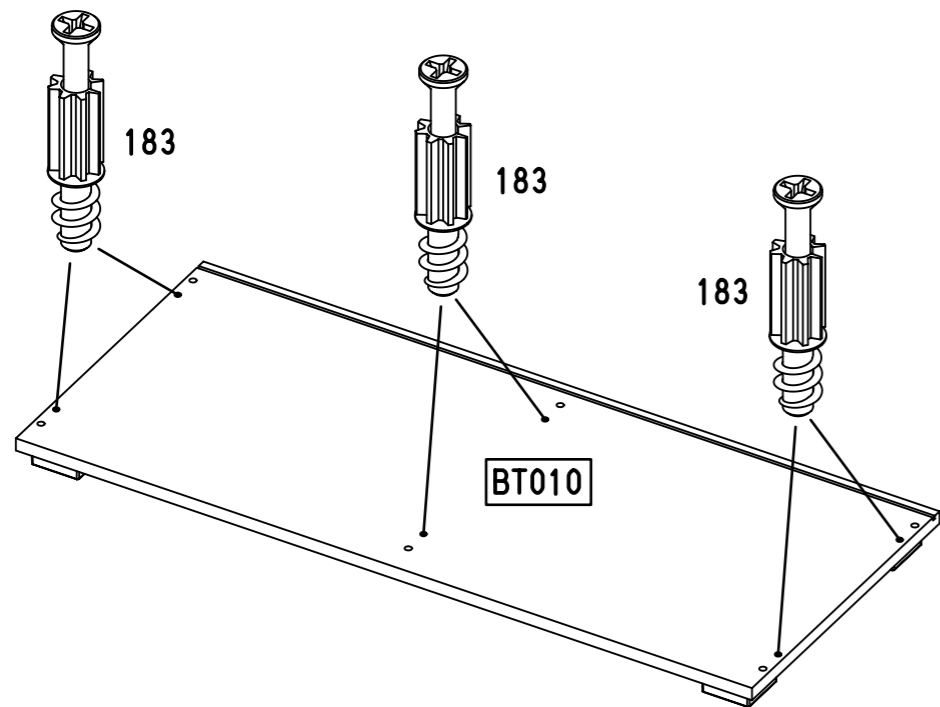
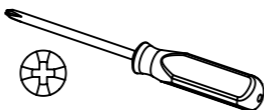
MZ...

2

6x 183

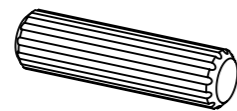


23/10x7,5/6,5

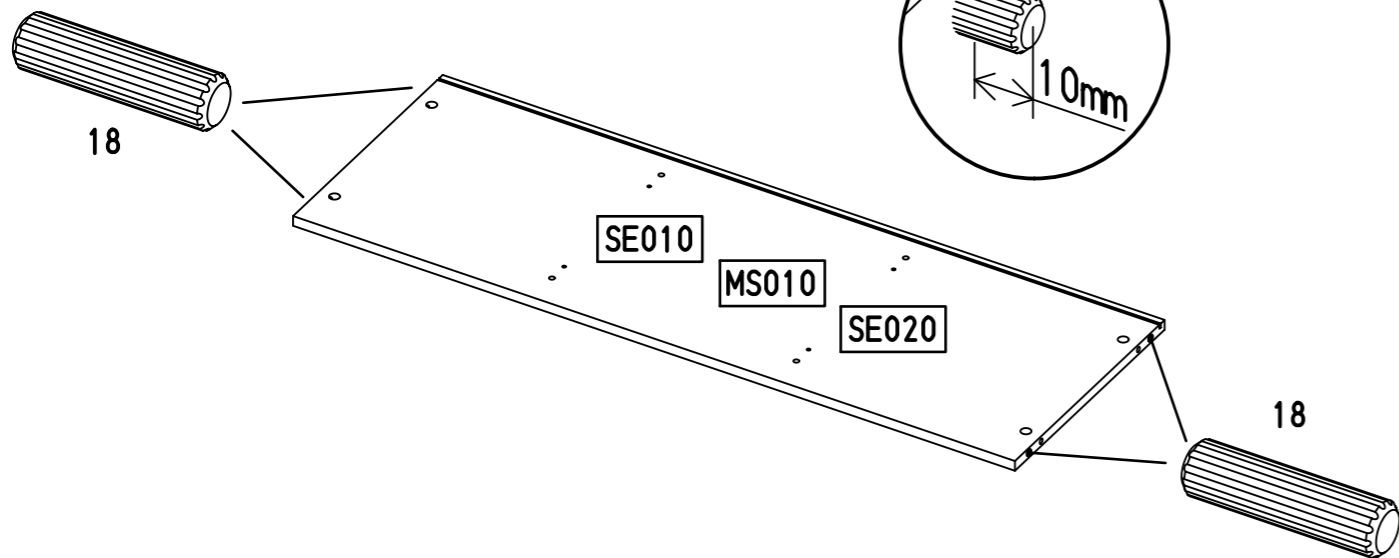
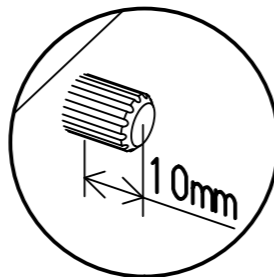


3

12x 18

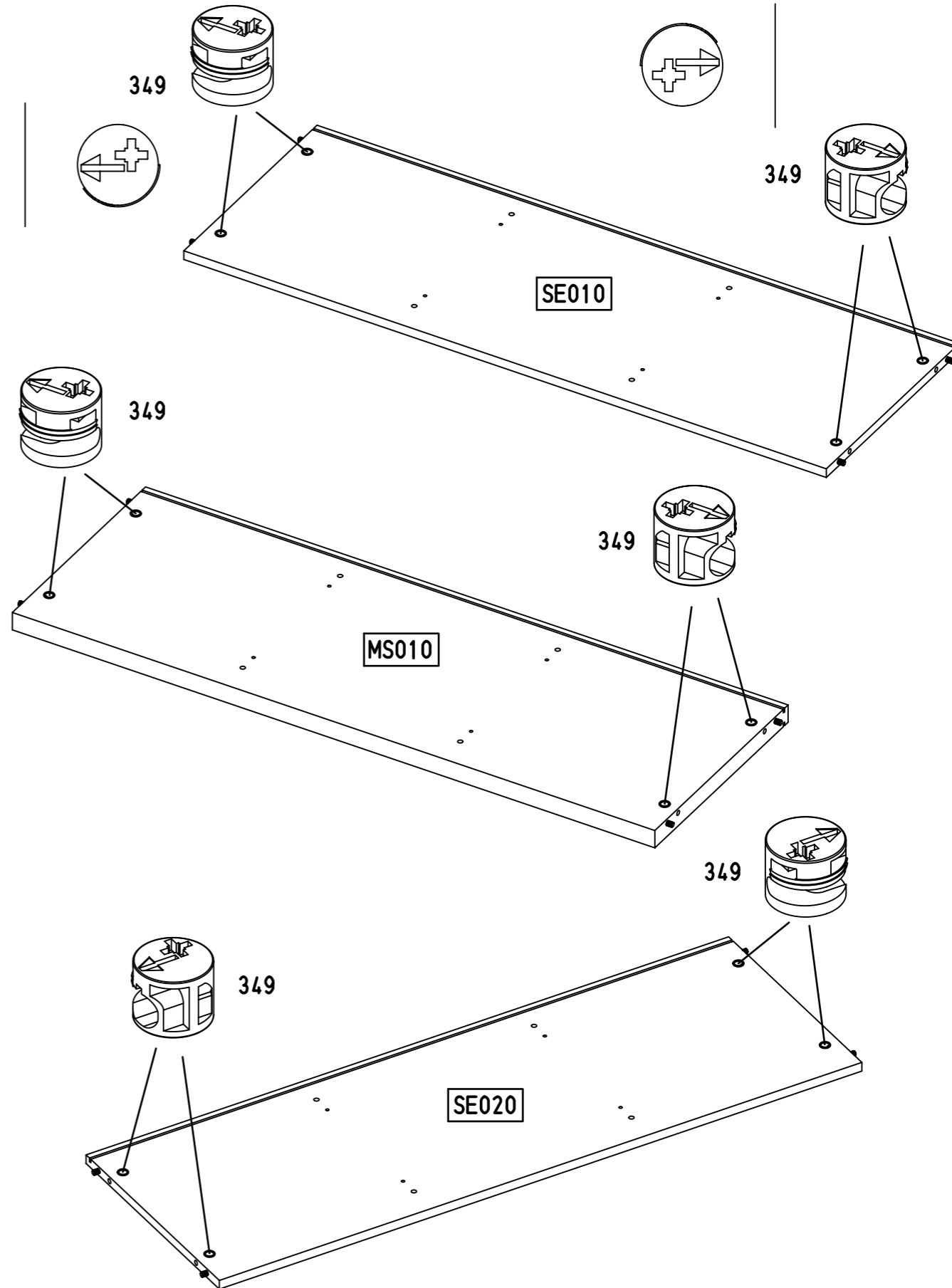
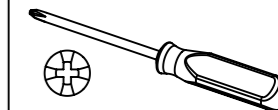


8x30



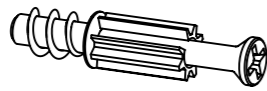
4

12x 349

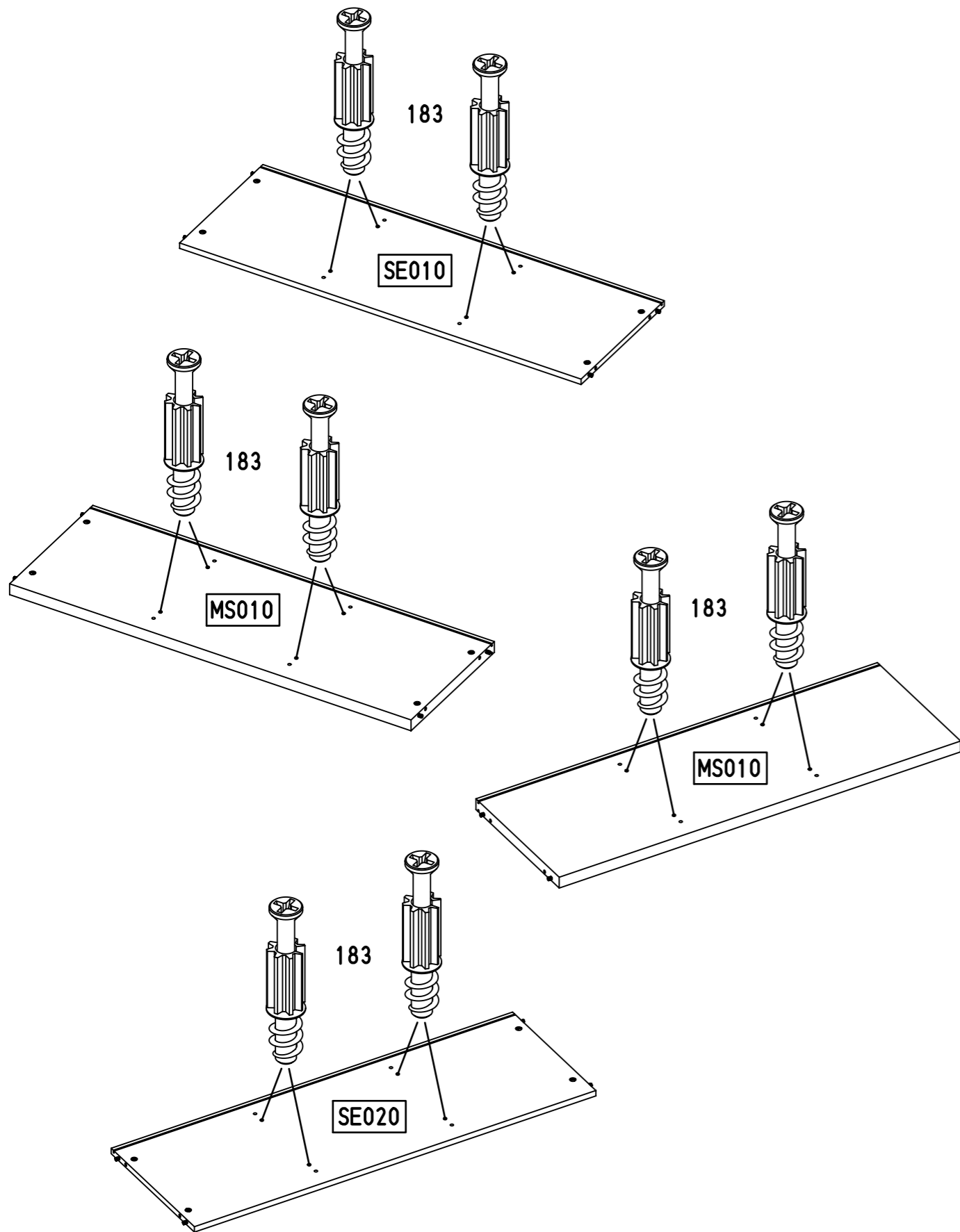
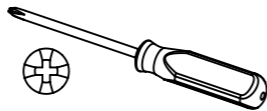


5

16x 183

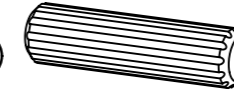


23/10x7,5/6,5

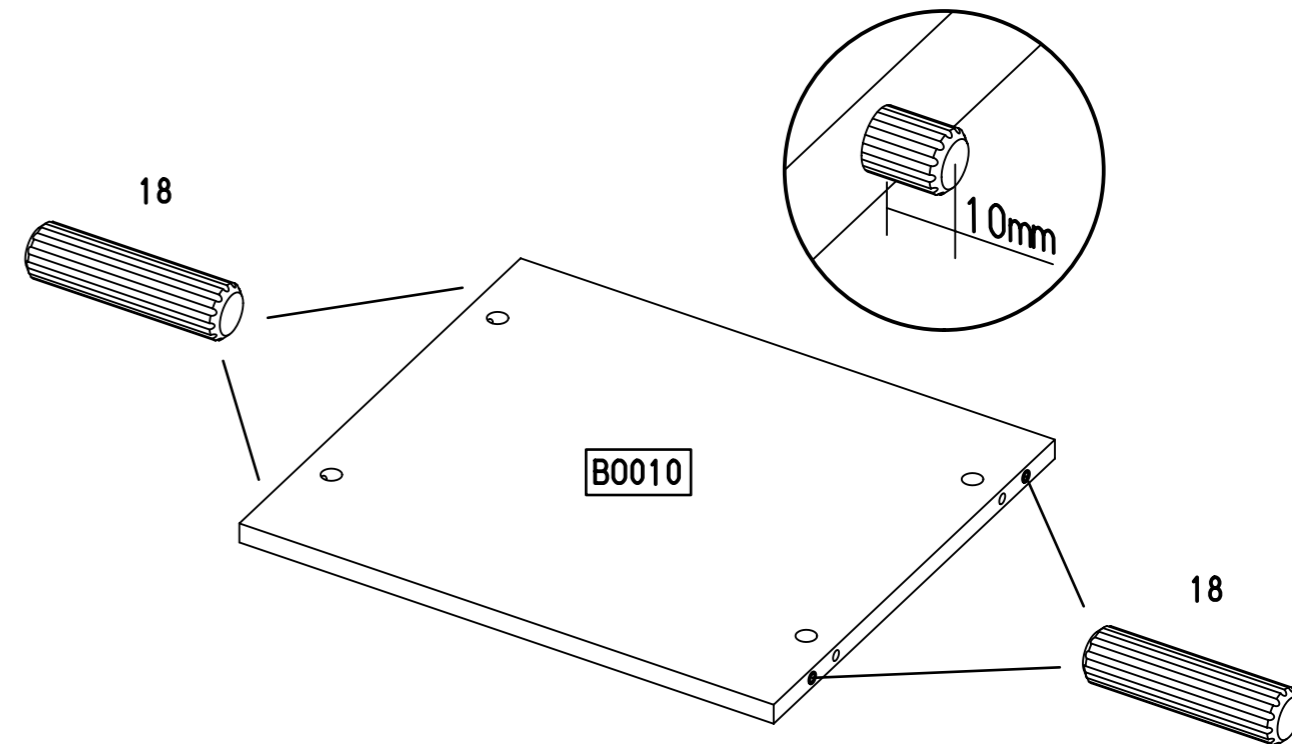


6

16x 18

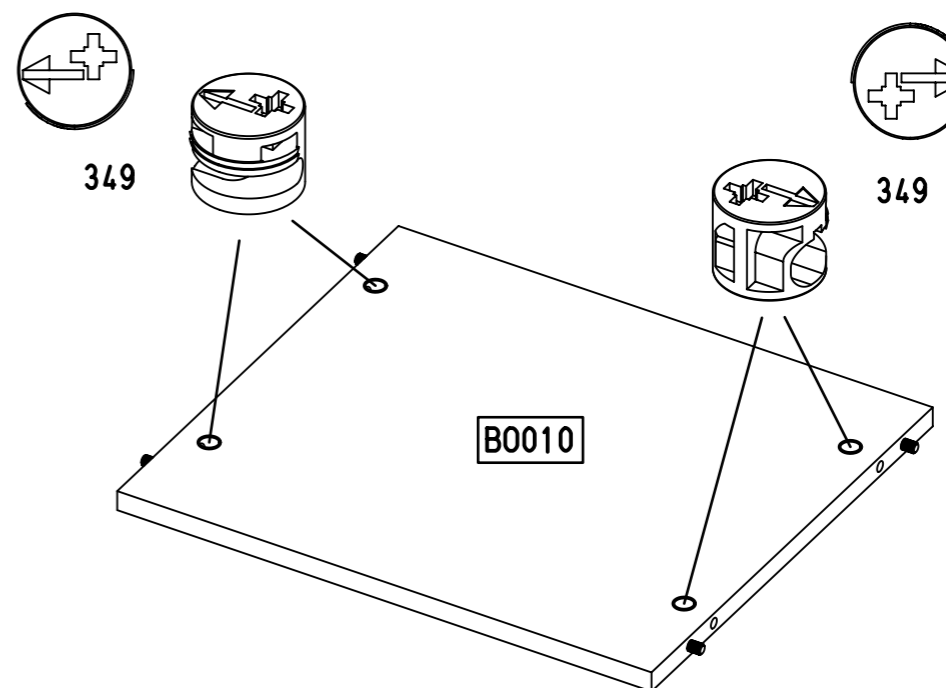
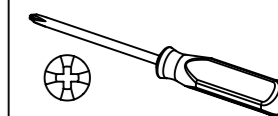
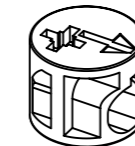


8x30

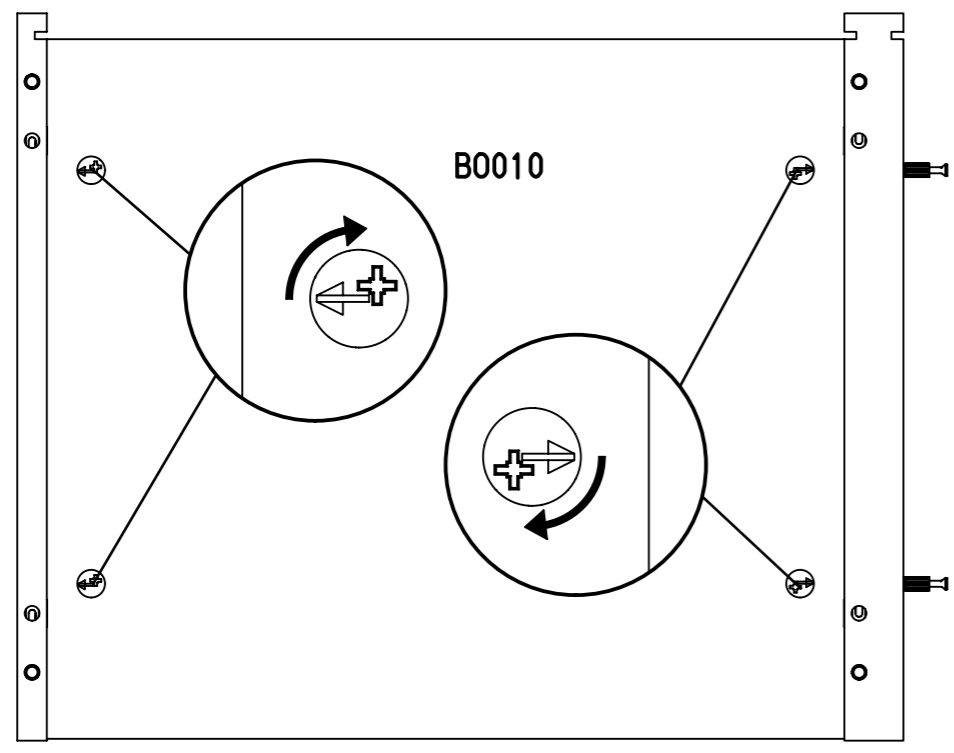
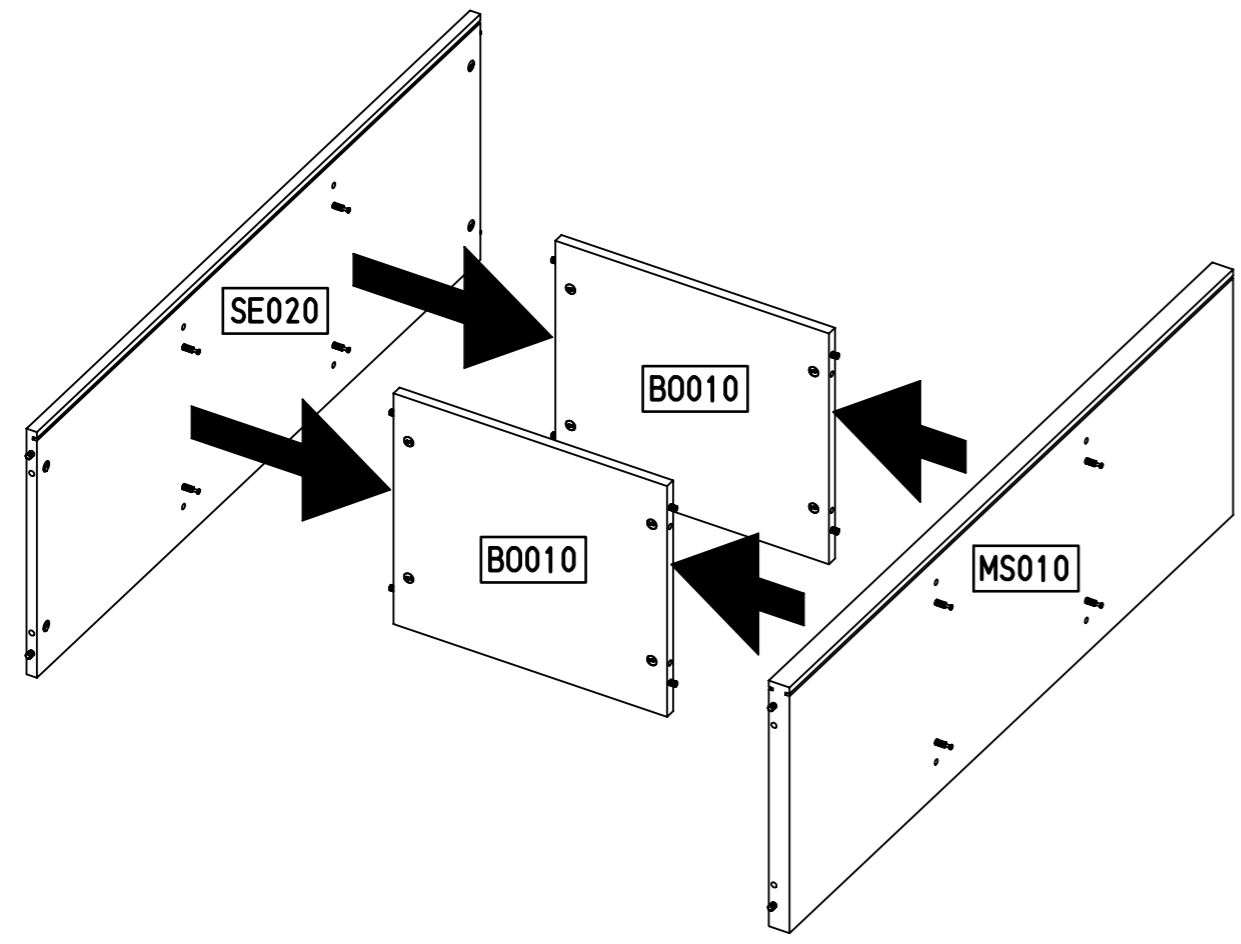
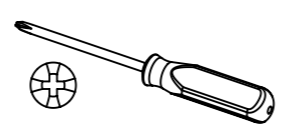


7

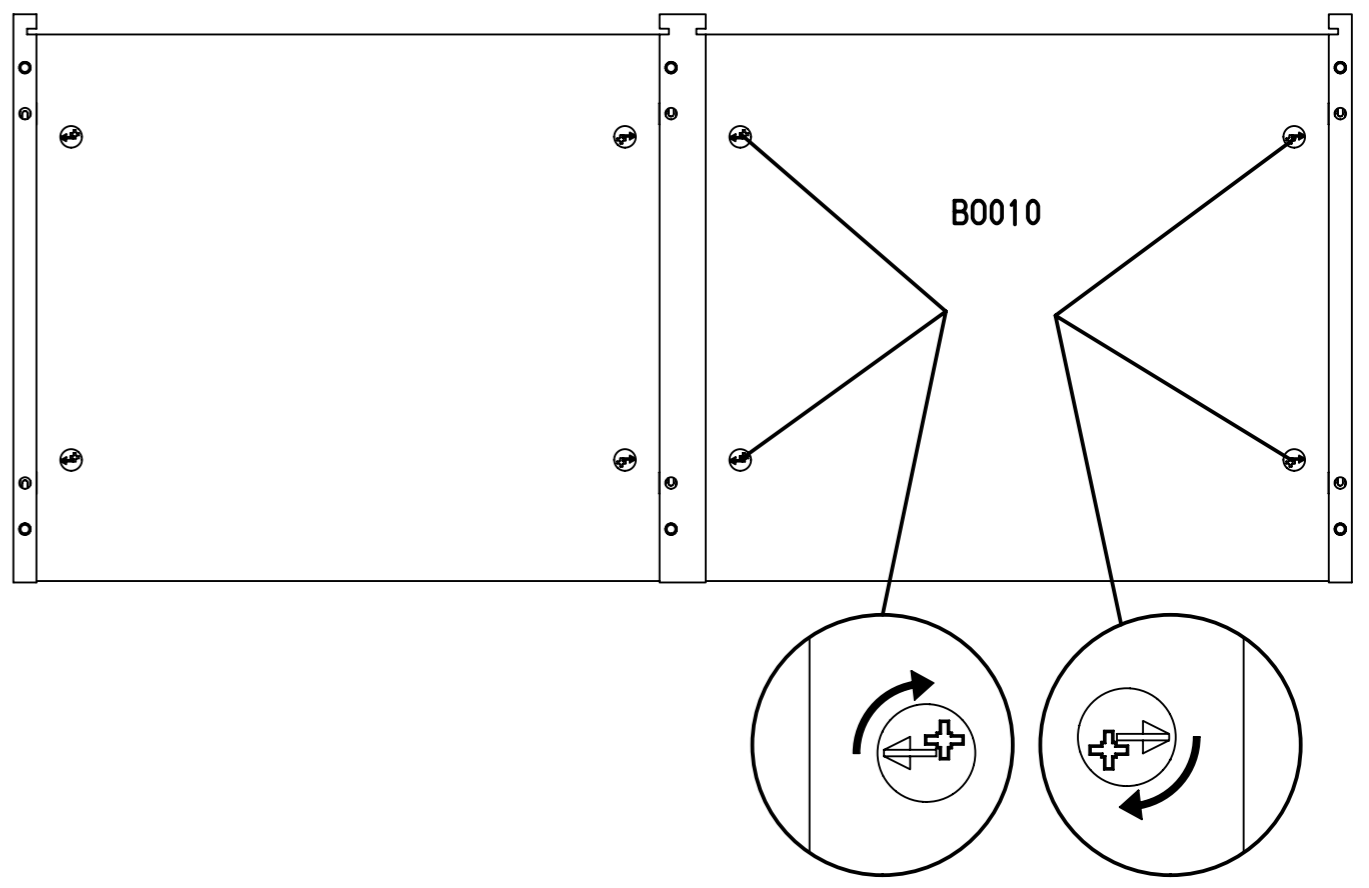
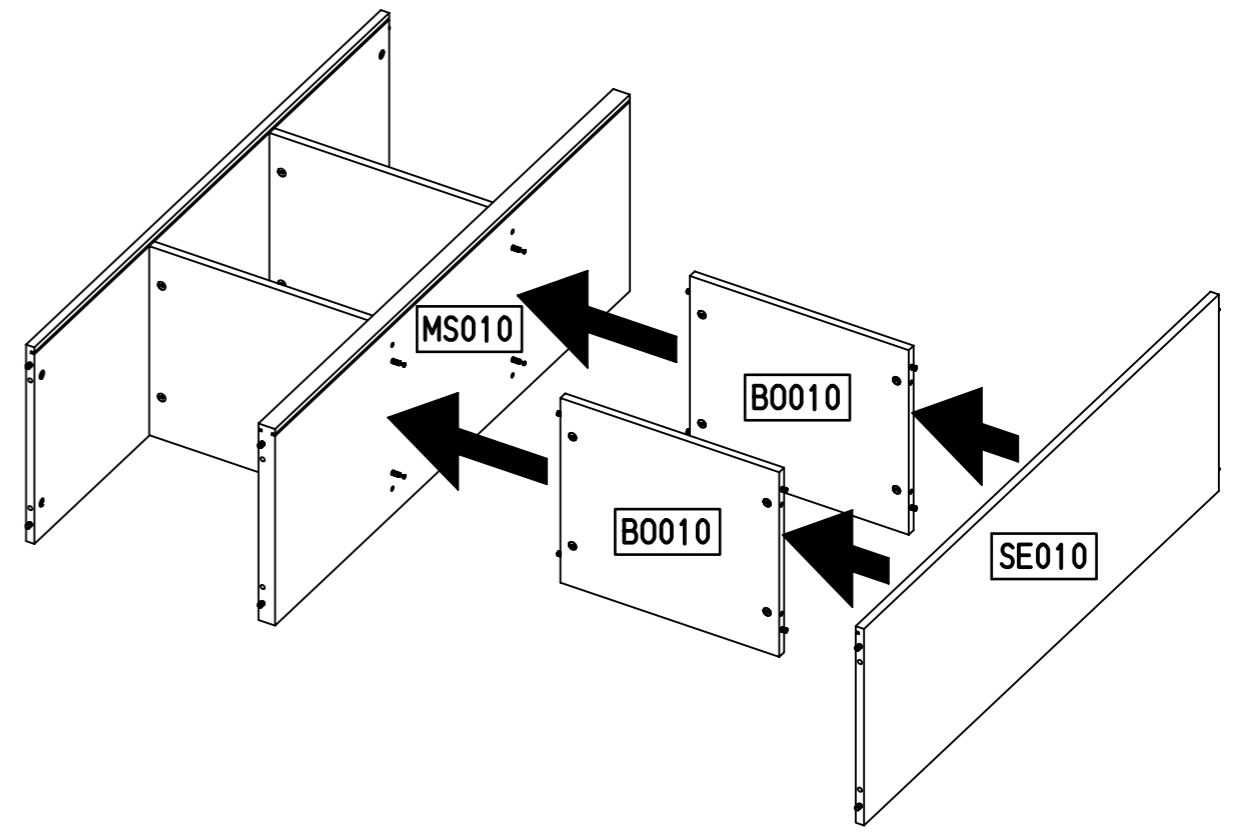
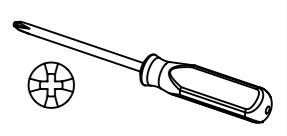
16x 349



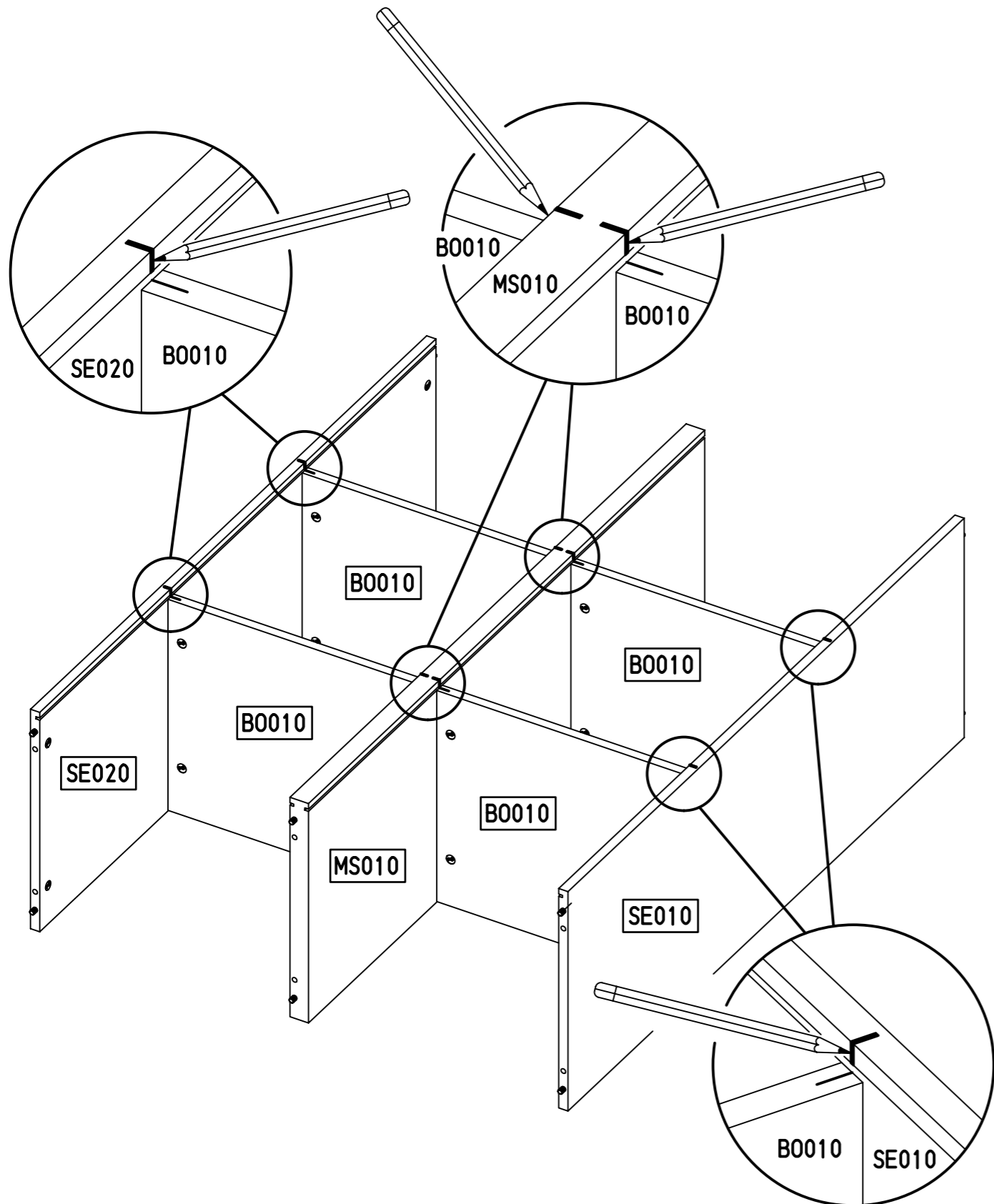
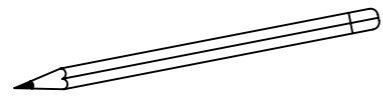
8



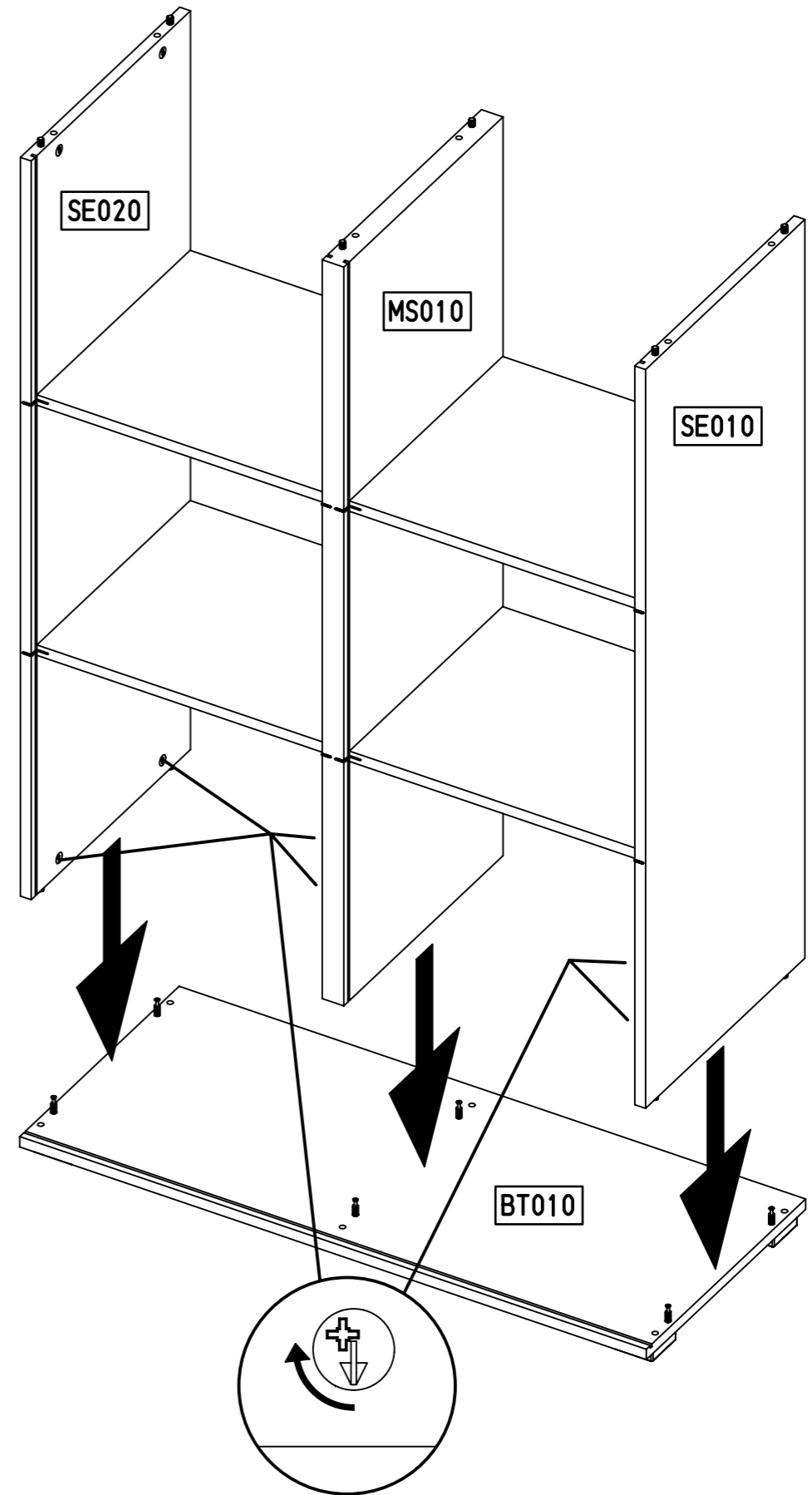
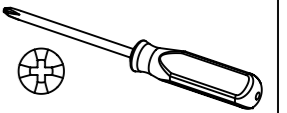
9



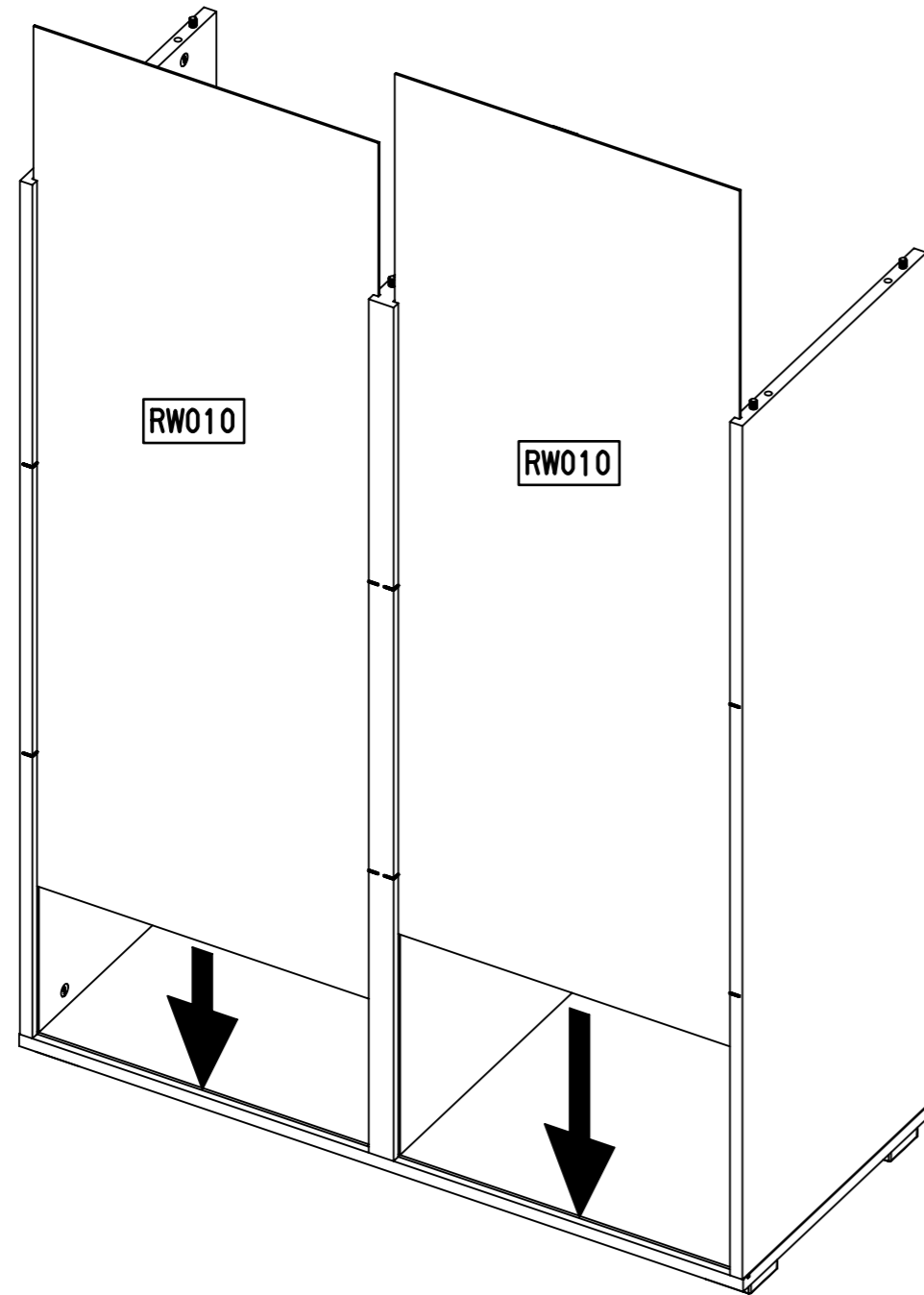
10



11

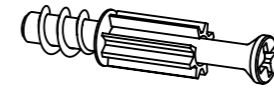


12

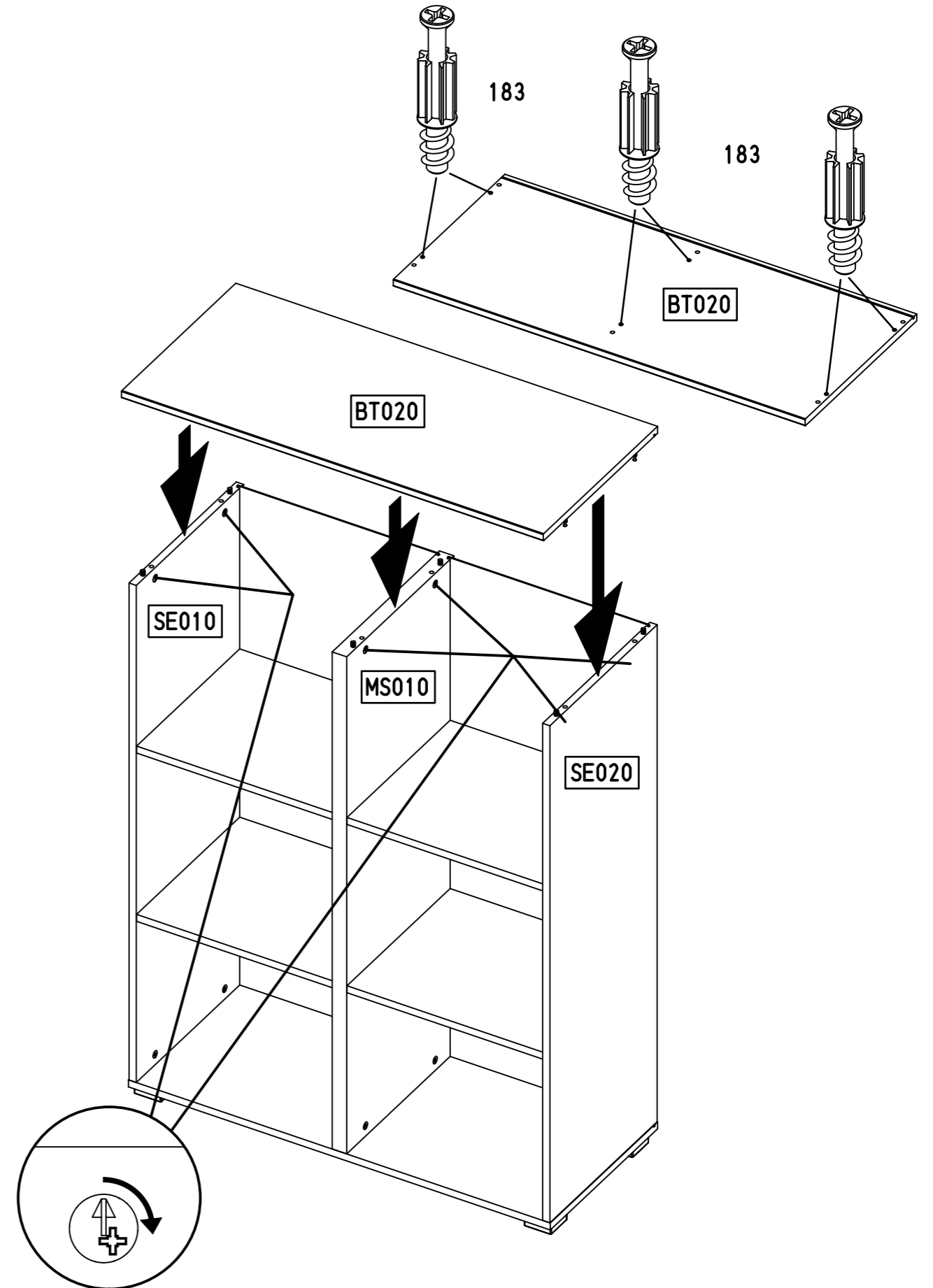
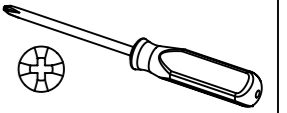


13

6x 183

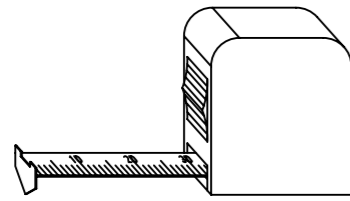
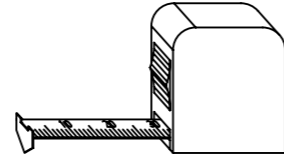
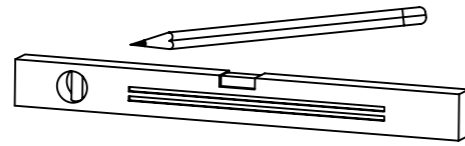


23/10x7,5/6,5

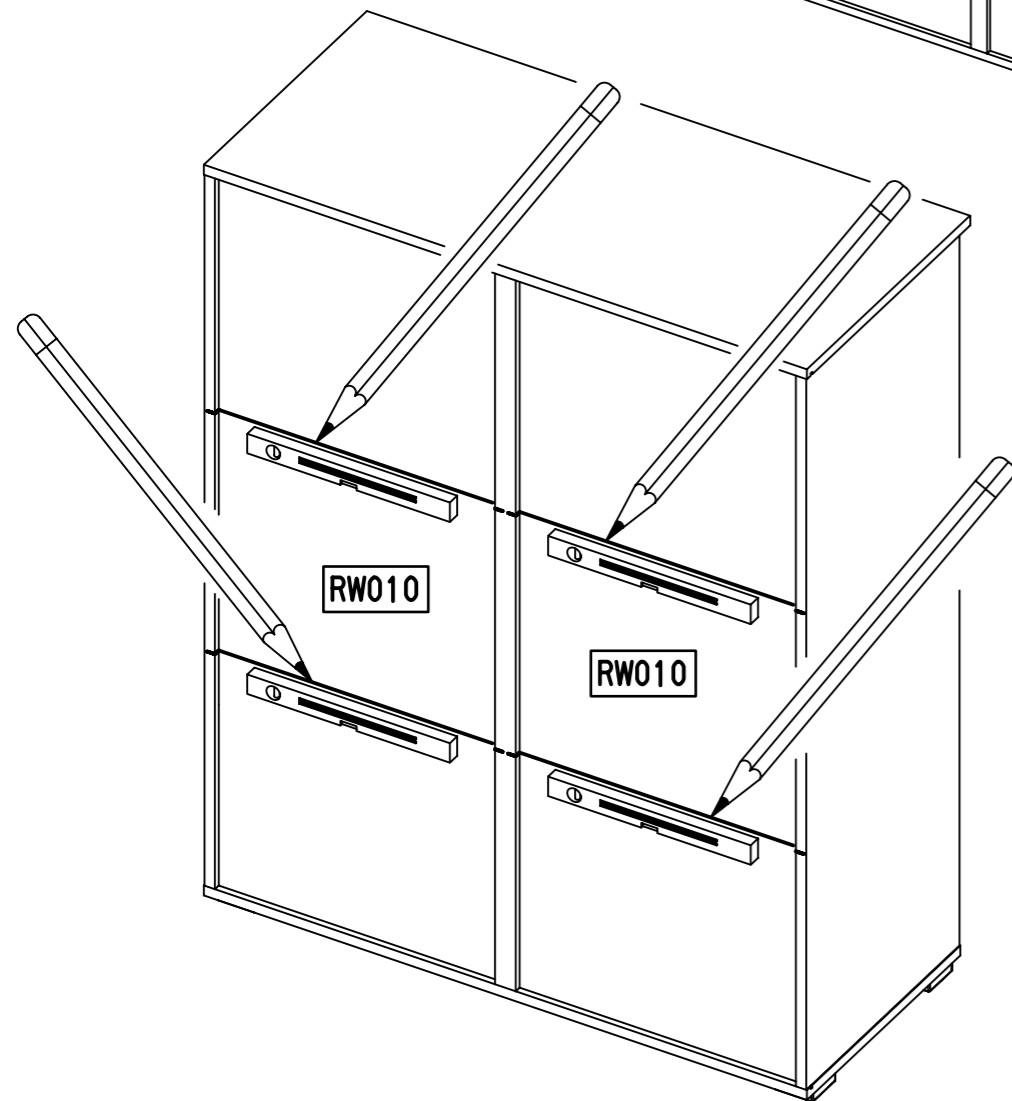
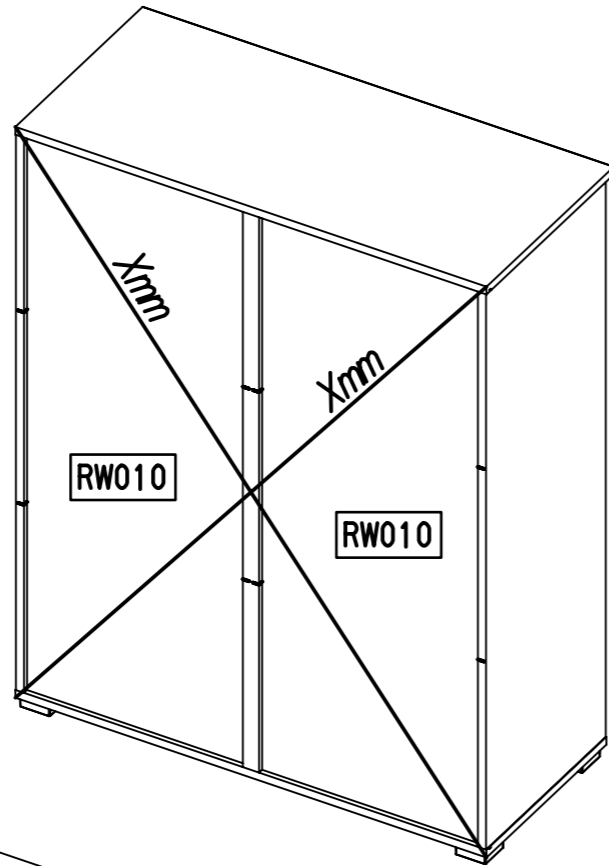


15.

14



$Xmm = Xmm$

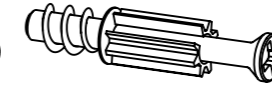


M2249

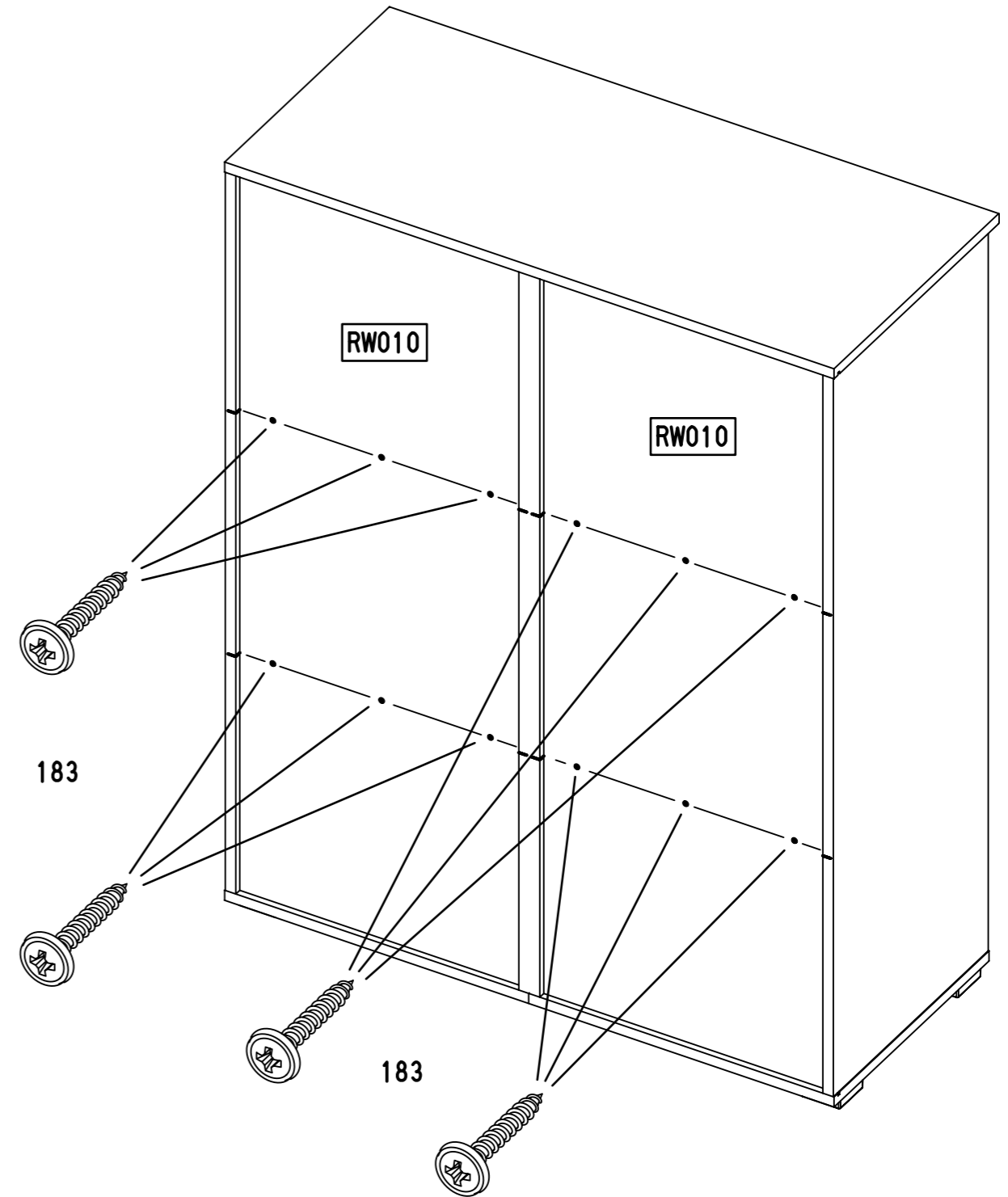
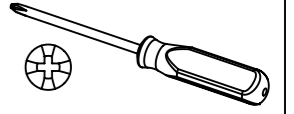
16.

15

12x 183



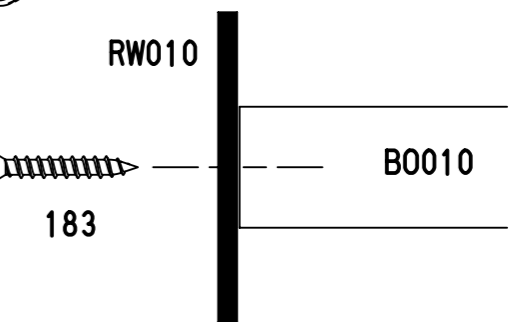
23/10x7,5/6,5



RW010

B0010

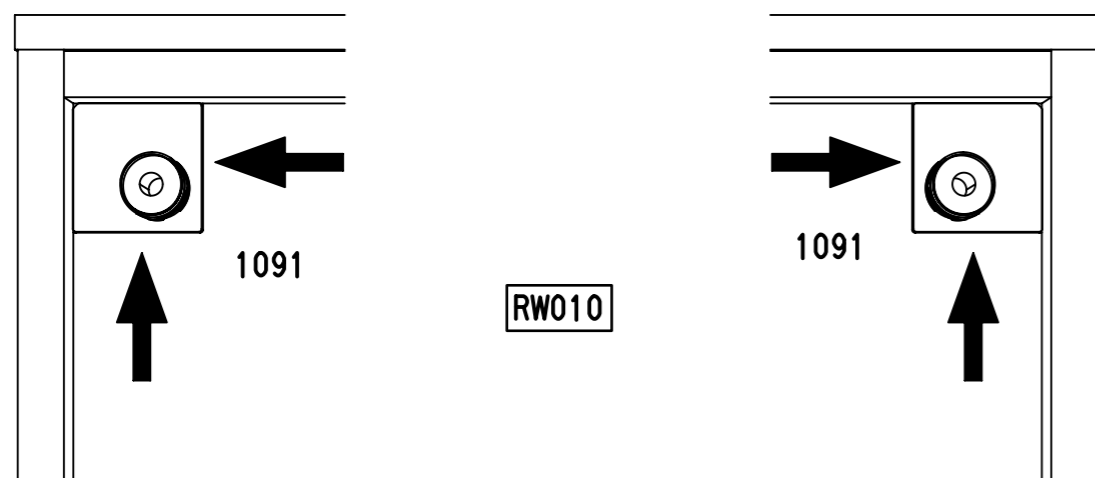
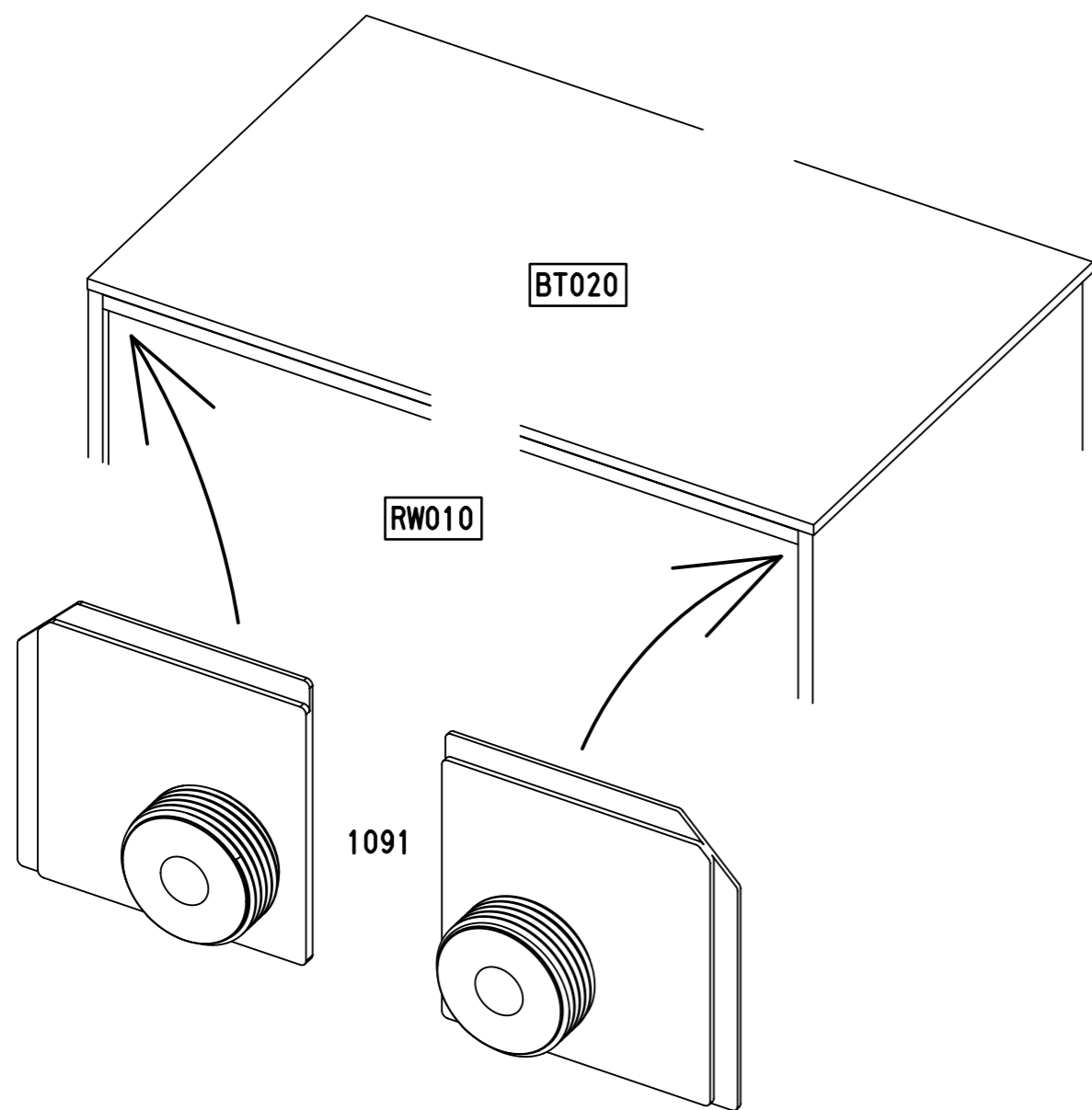
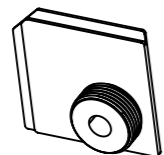
183



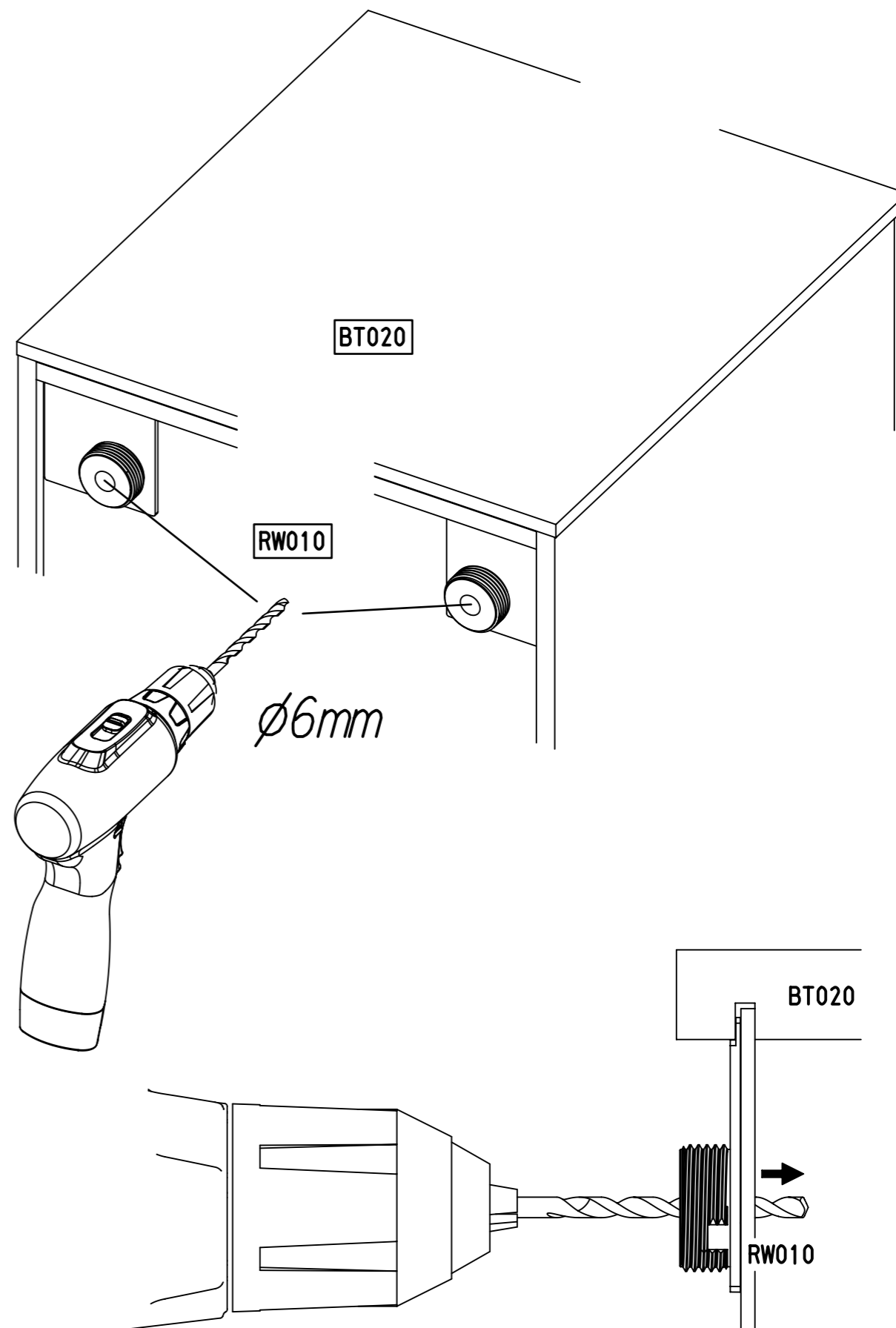
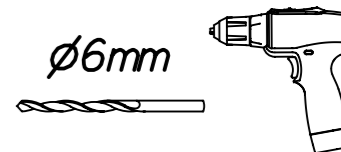
M2249

16

2x 1091

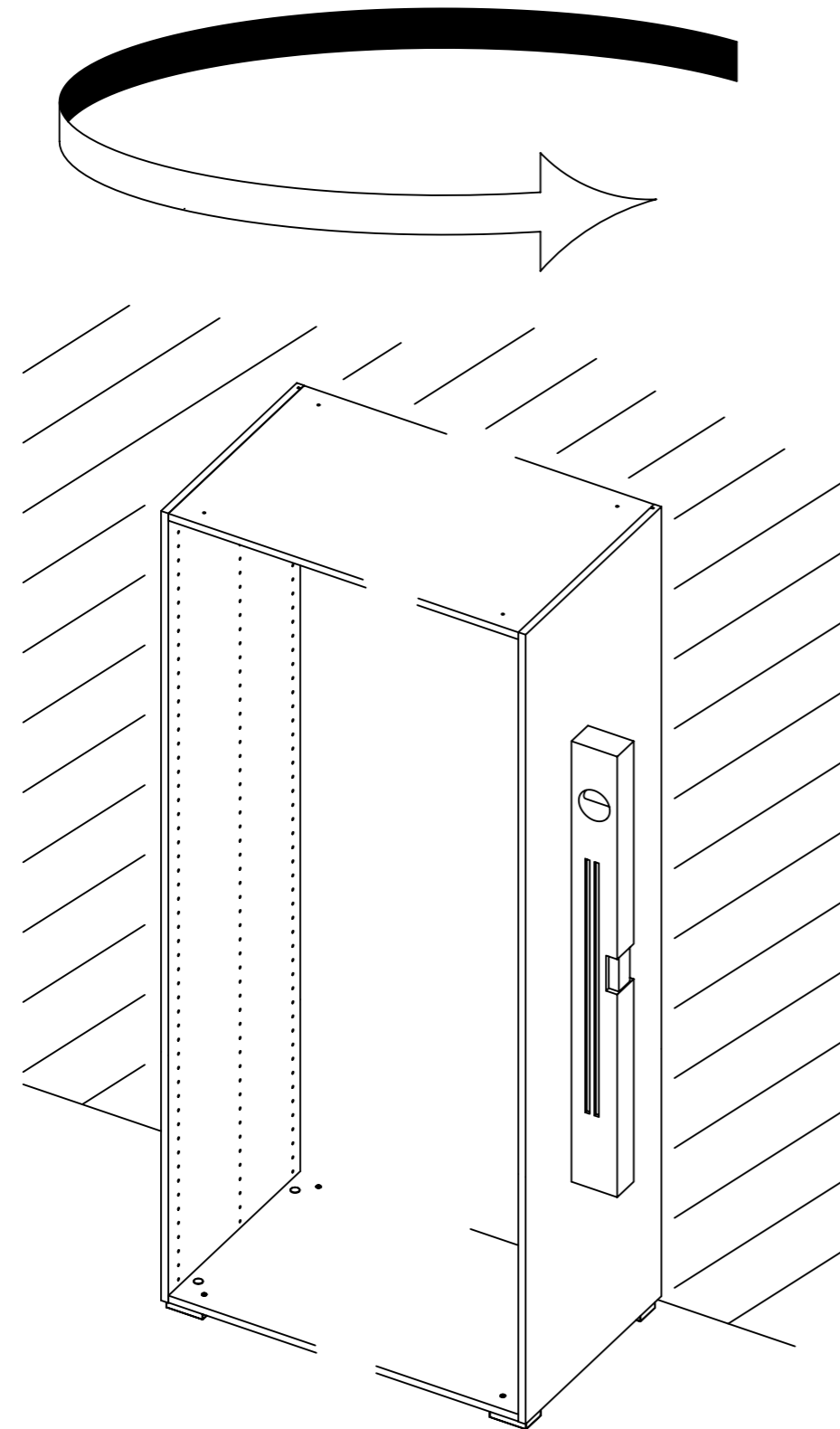
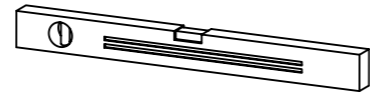


17



19.

18

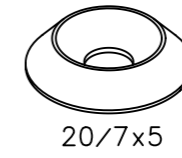


M2249

20.

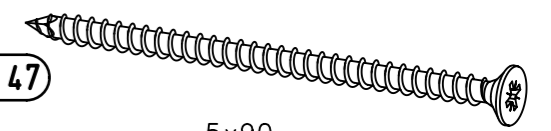
19

2x 1093

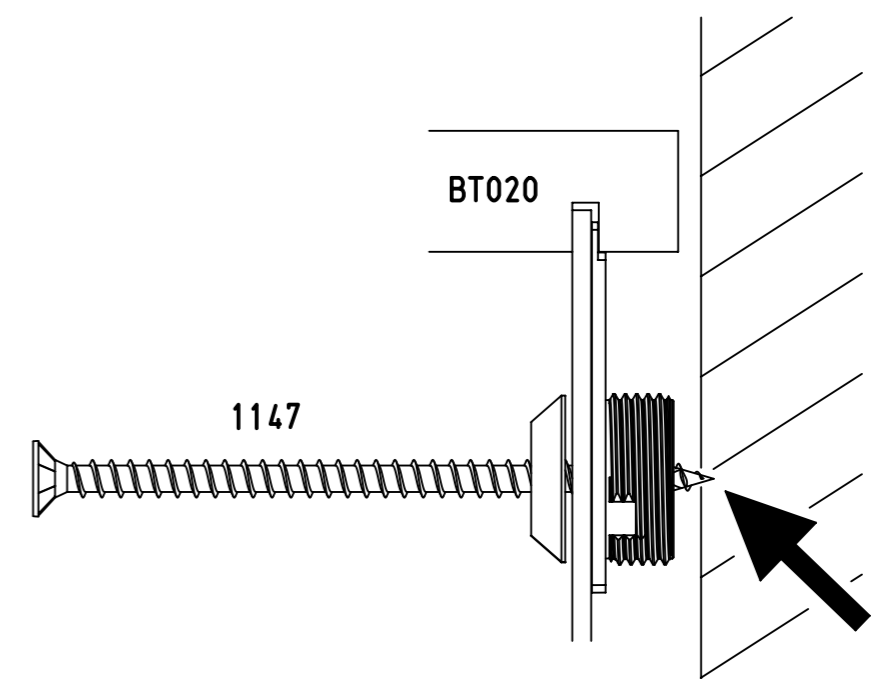
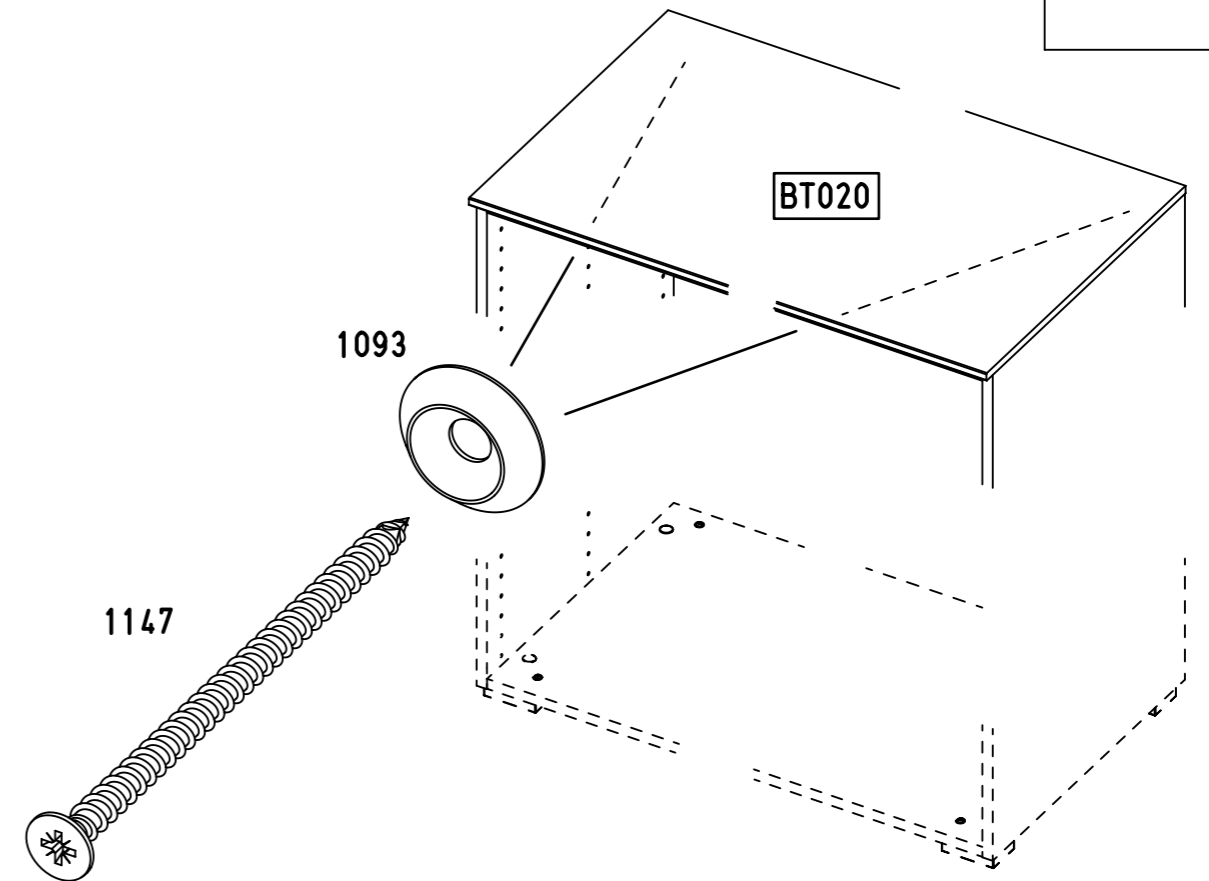
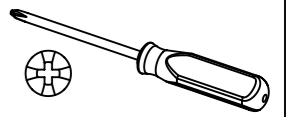


20/7x5

2x 1147



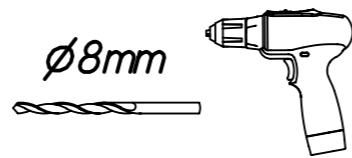
5x90



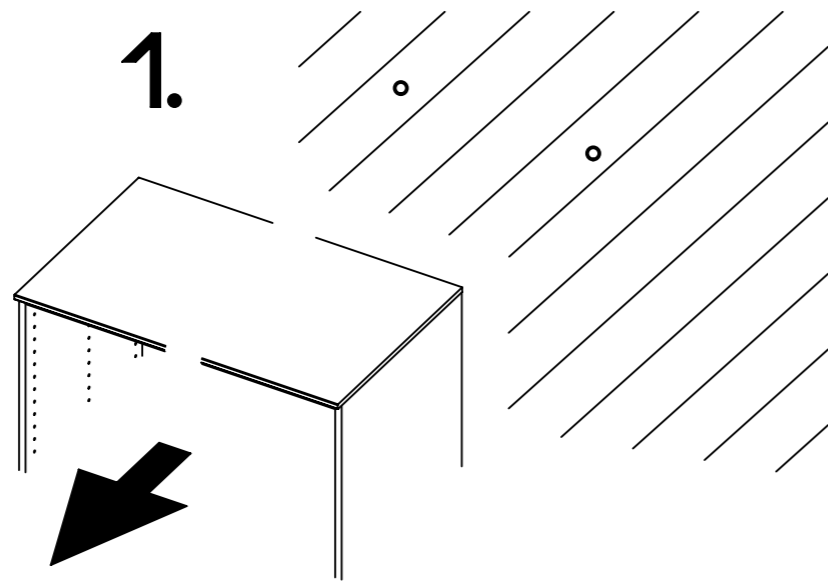
M2249

20

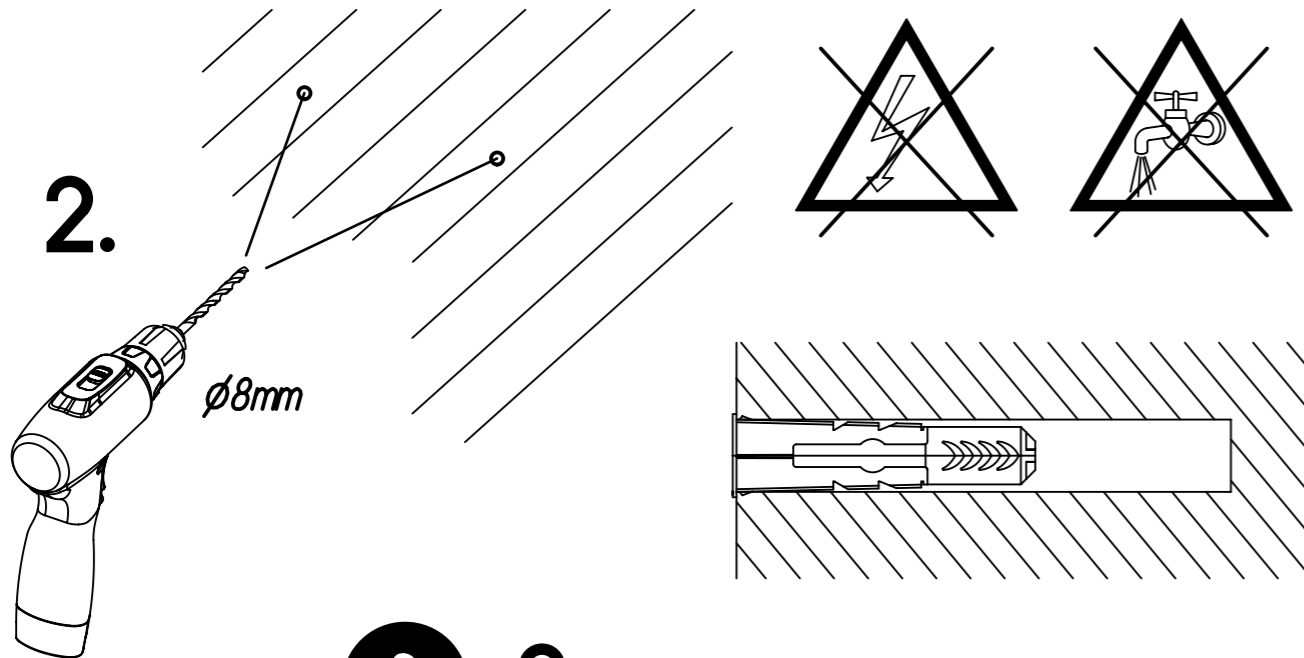
∅8mm



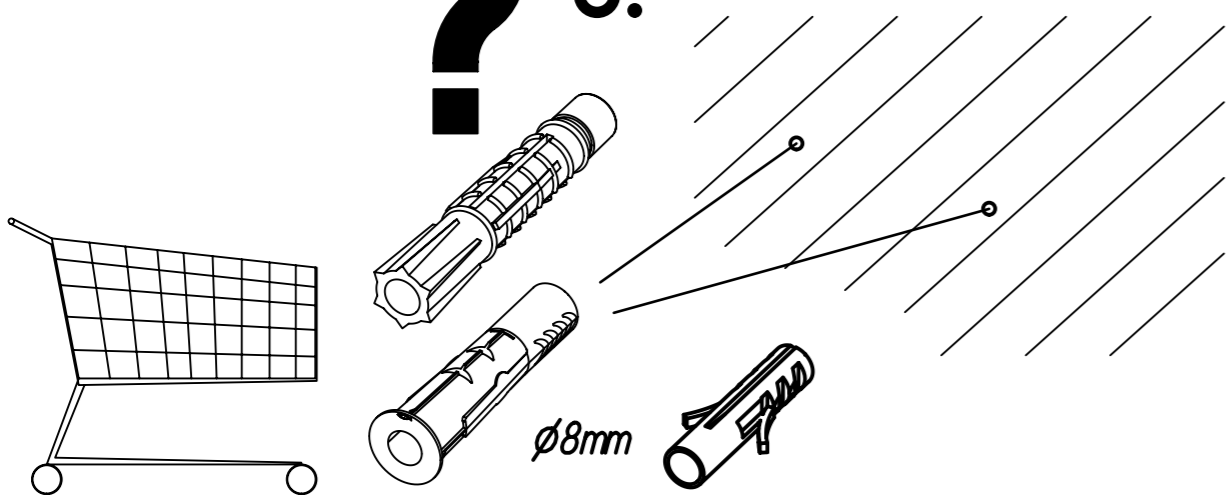
1.



2.

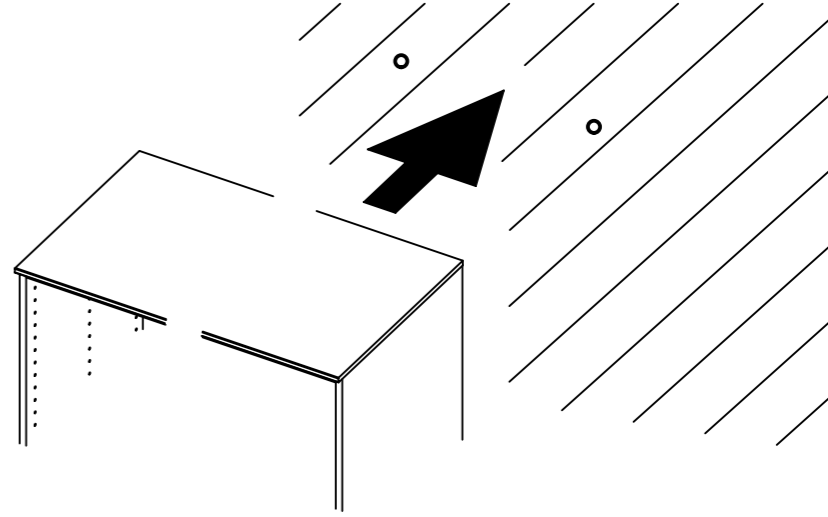
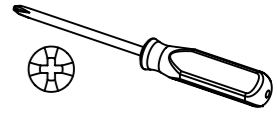
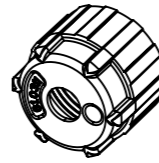


3. ?

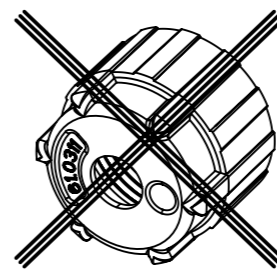


21

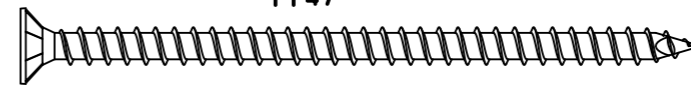
2x 1092



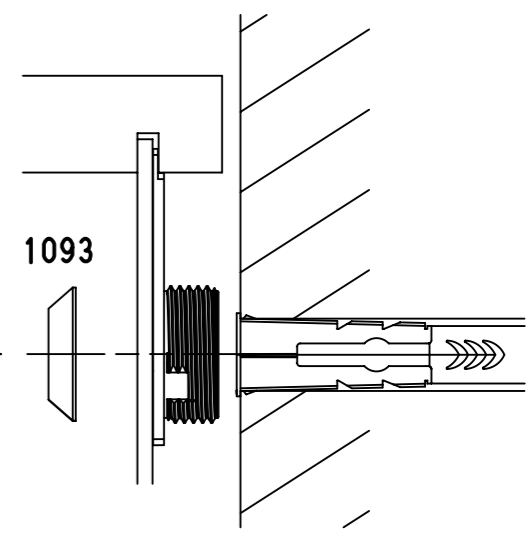
1092



1147



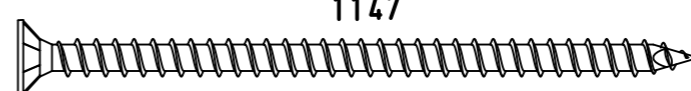
1093



10-15mm



1147



1093

1092

