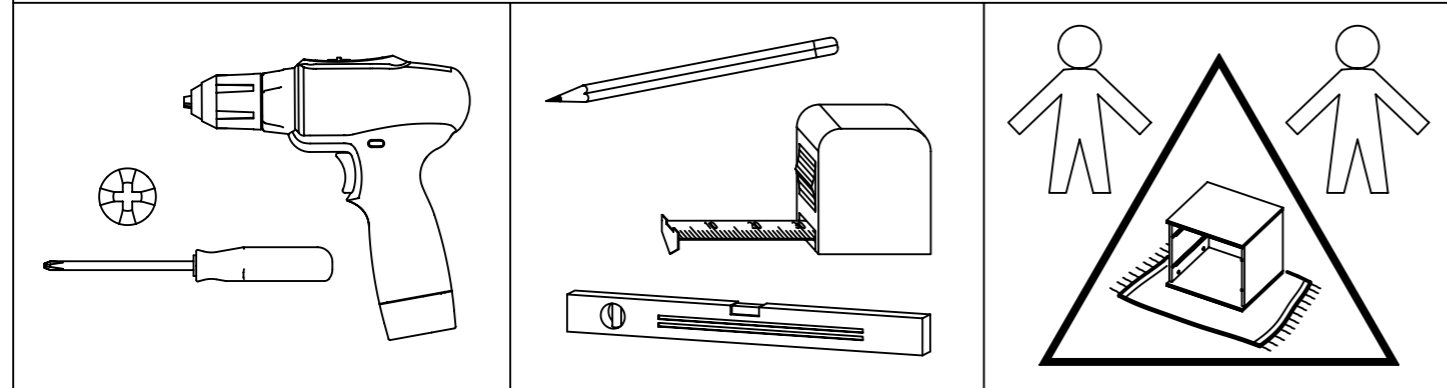


1.

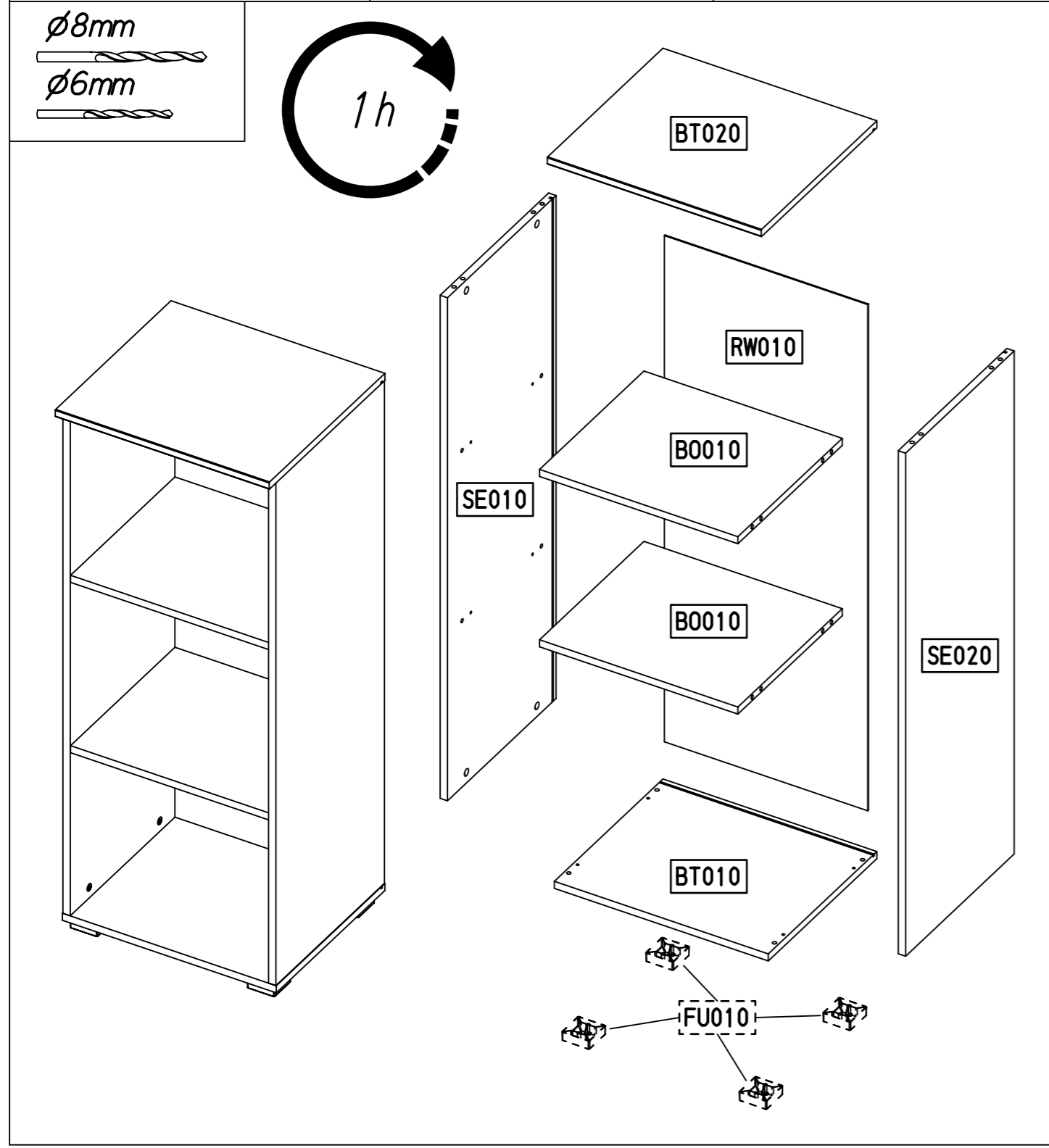
M2196\_03

rauch

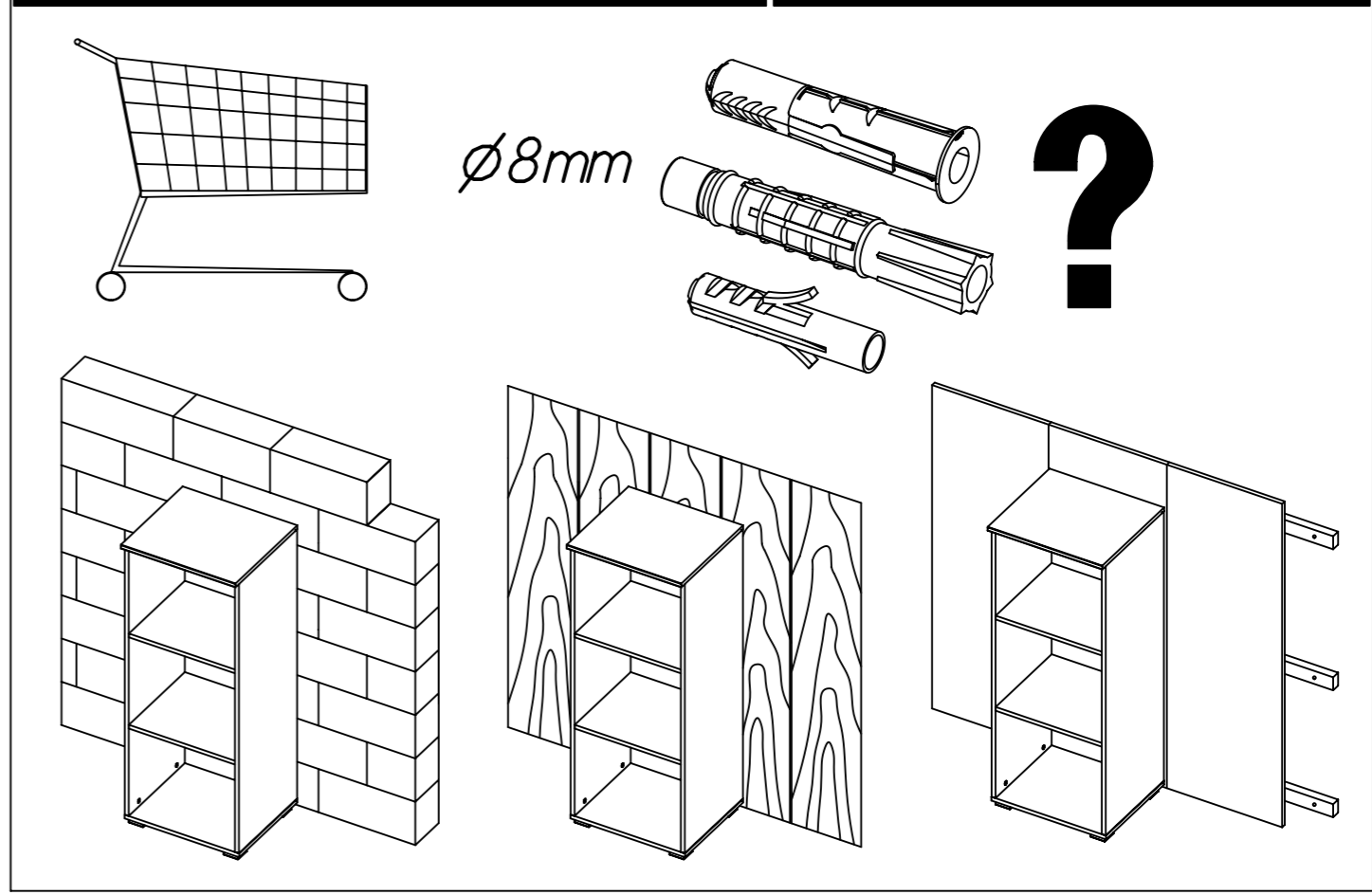
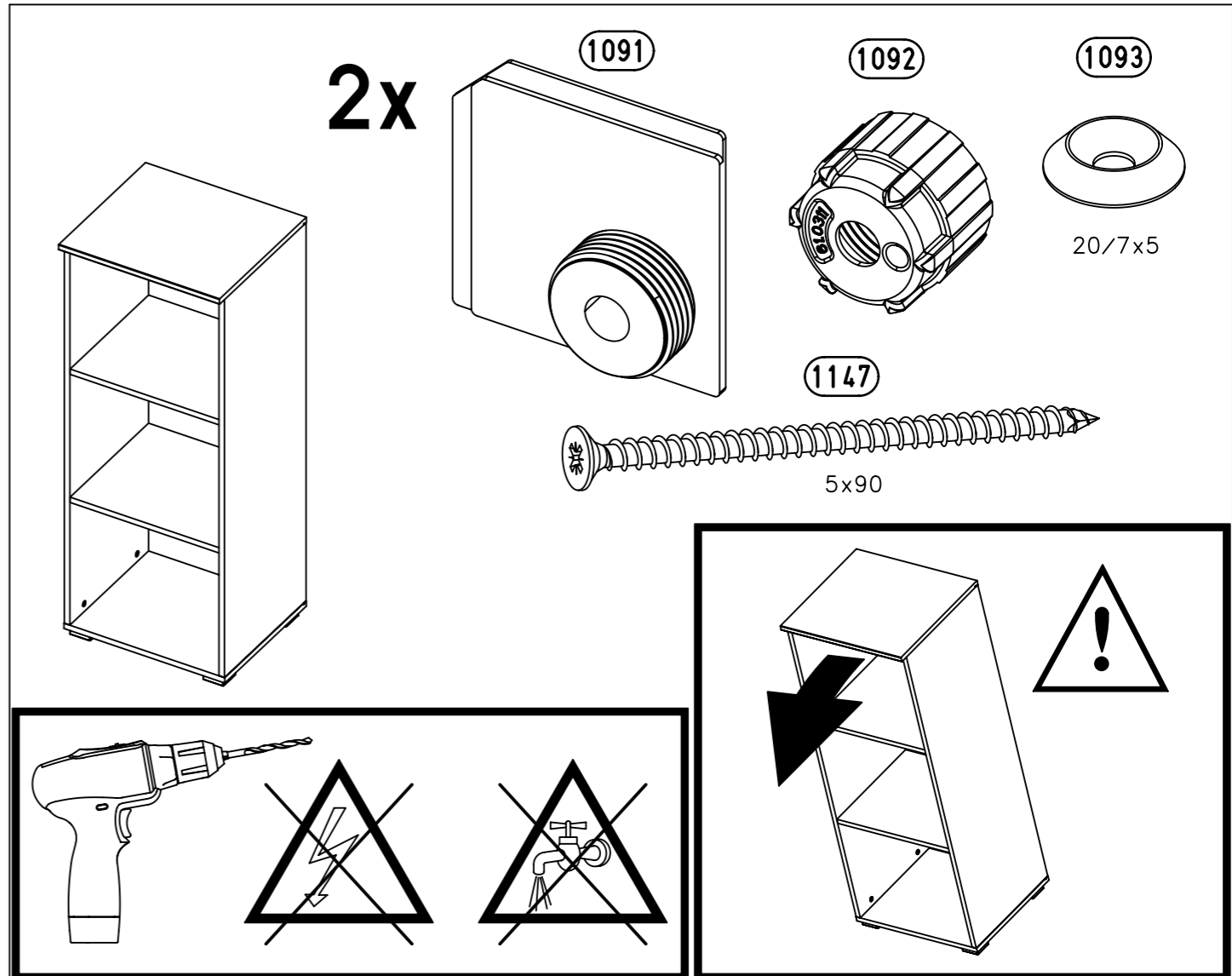


$\varnothing 8mm$   
 $\varnothing 6mm$

1h

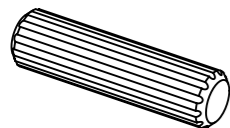


2.



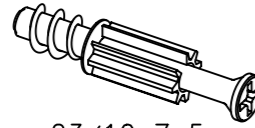
3.

16x 18



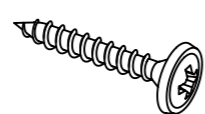
8x30

16x 183



23/10x7,5

6x 215

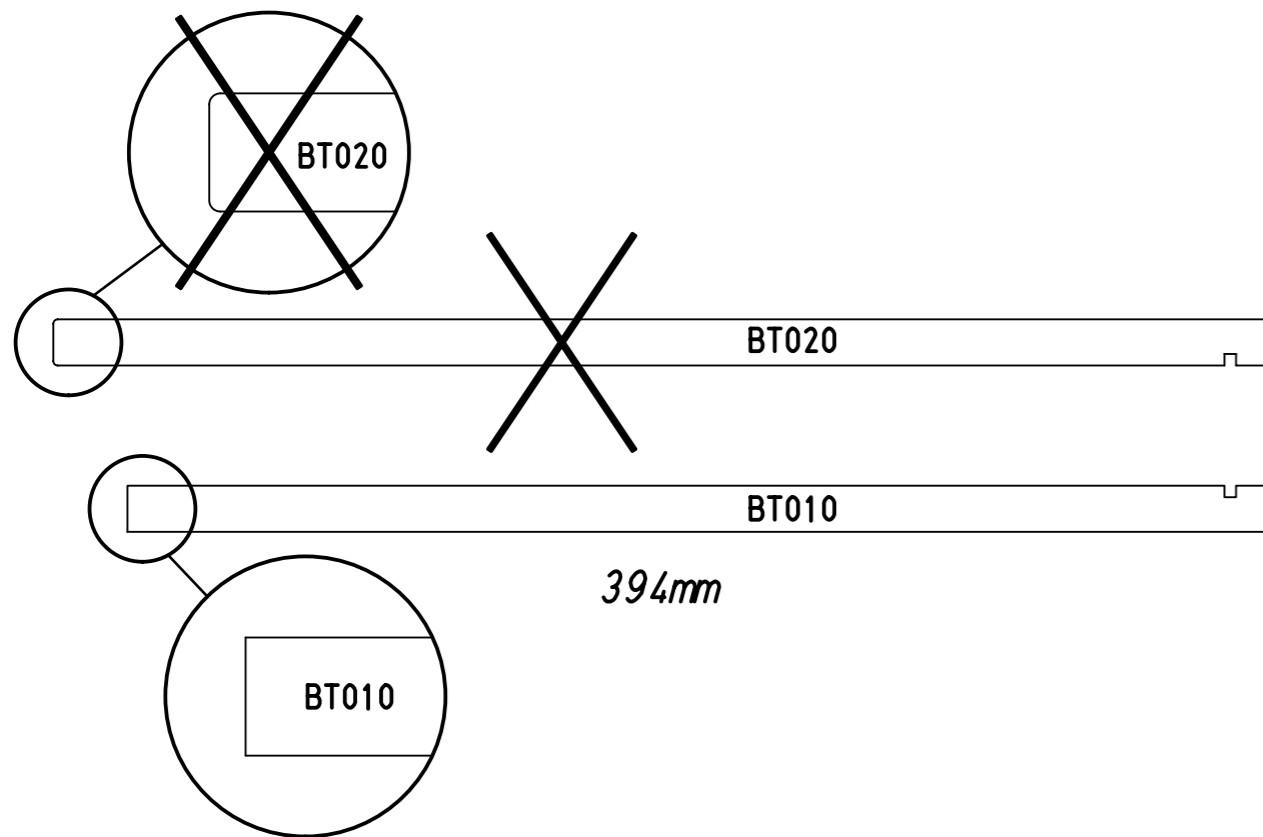


3x20

16x 183



1



394mm

BT010

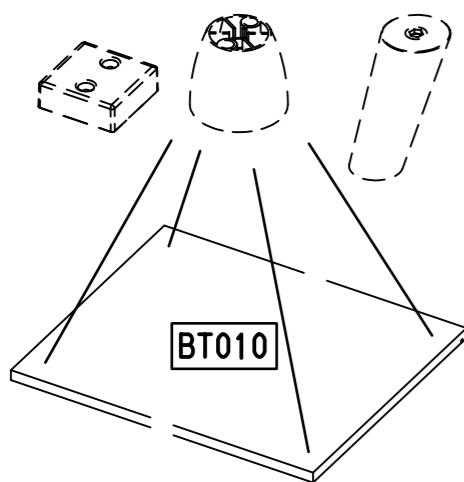
BT020

BT010

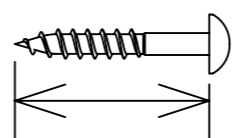
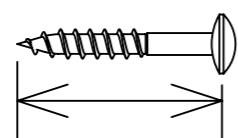
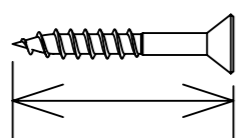
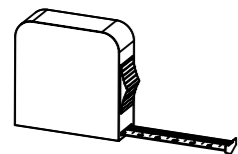
?

FU010

MZ...



BT010

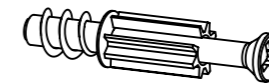


M2196

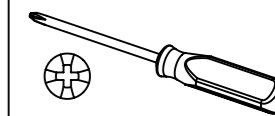
4.

2

4x 183

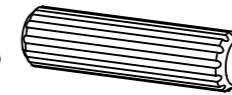


23/10x7,5/6,5

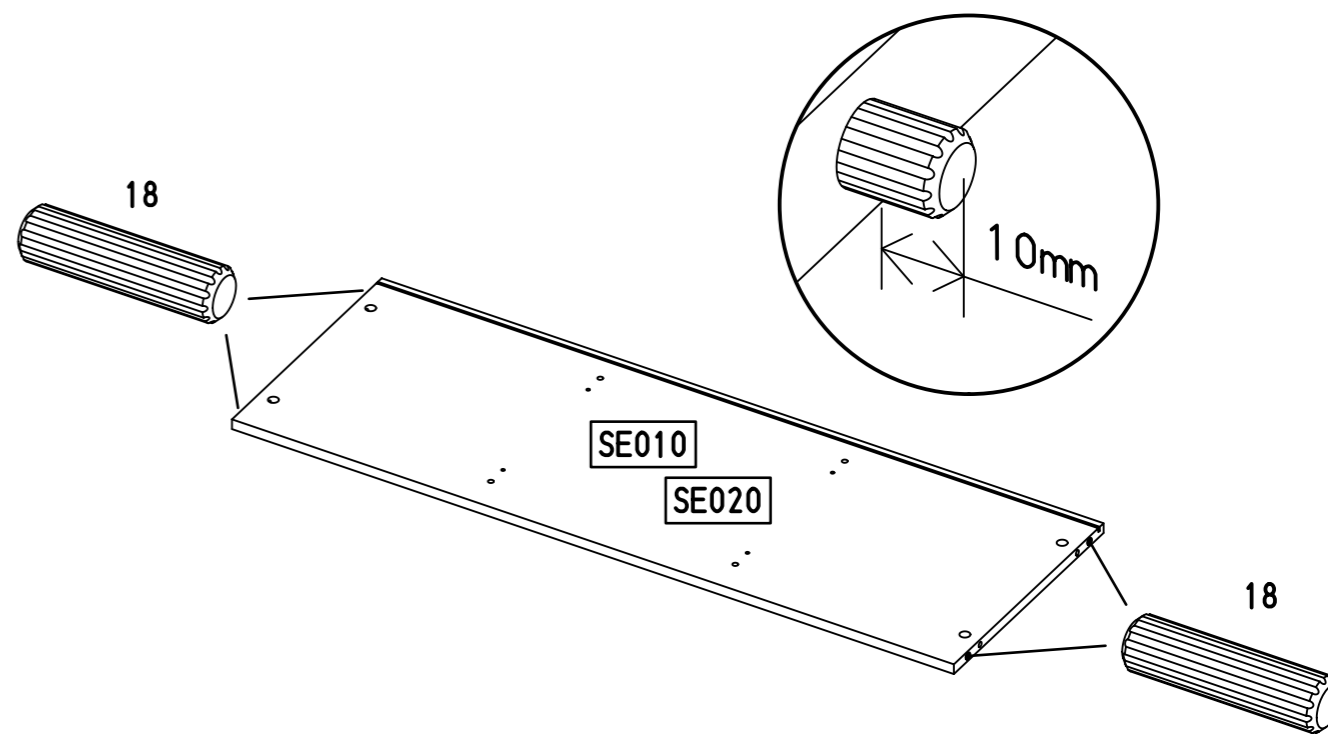


3

8x 18



8x30



18

SE010

SE020

10mm

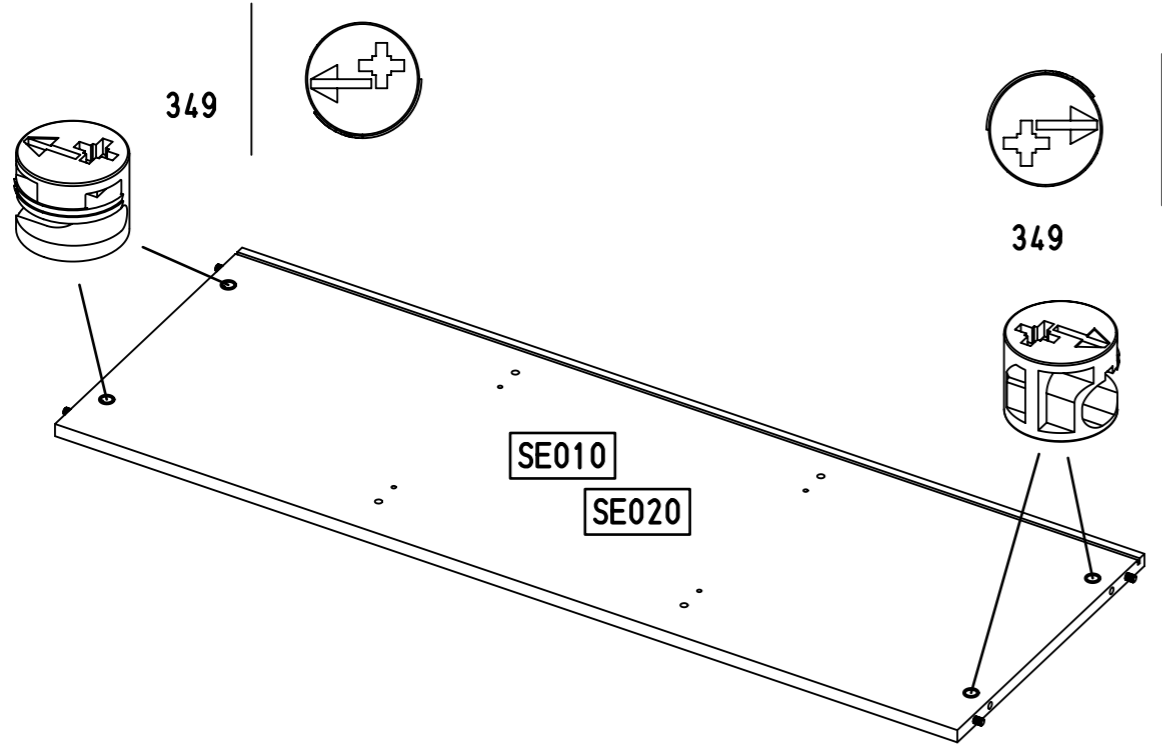
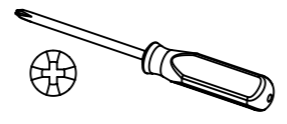
18

M2196

5.

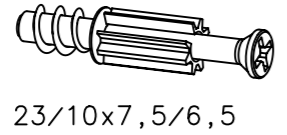
4

8x 349

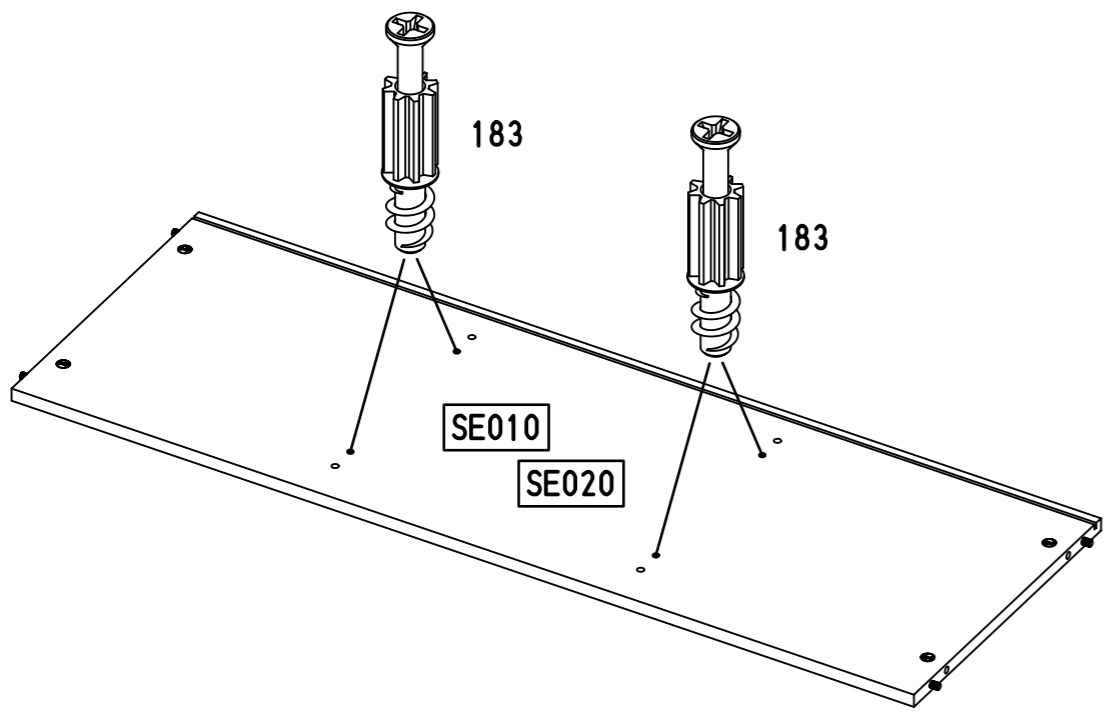
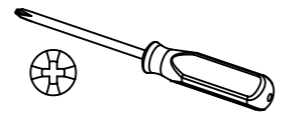


5

8x 183



23/10x7,5/6,5

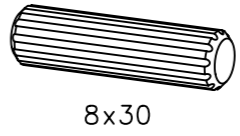


M2196

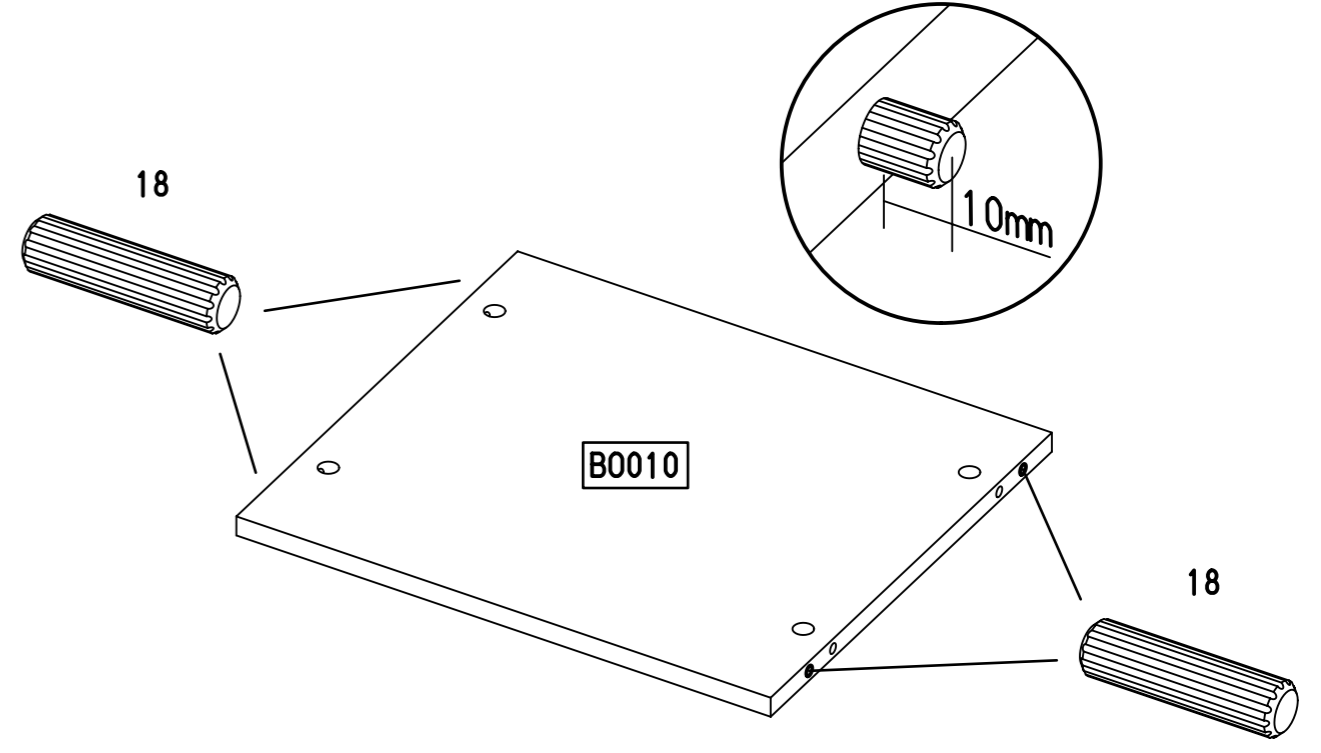
6.

6

8x 18

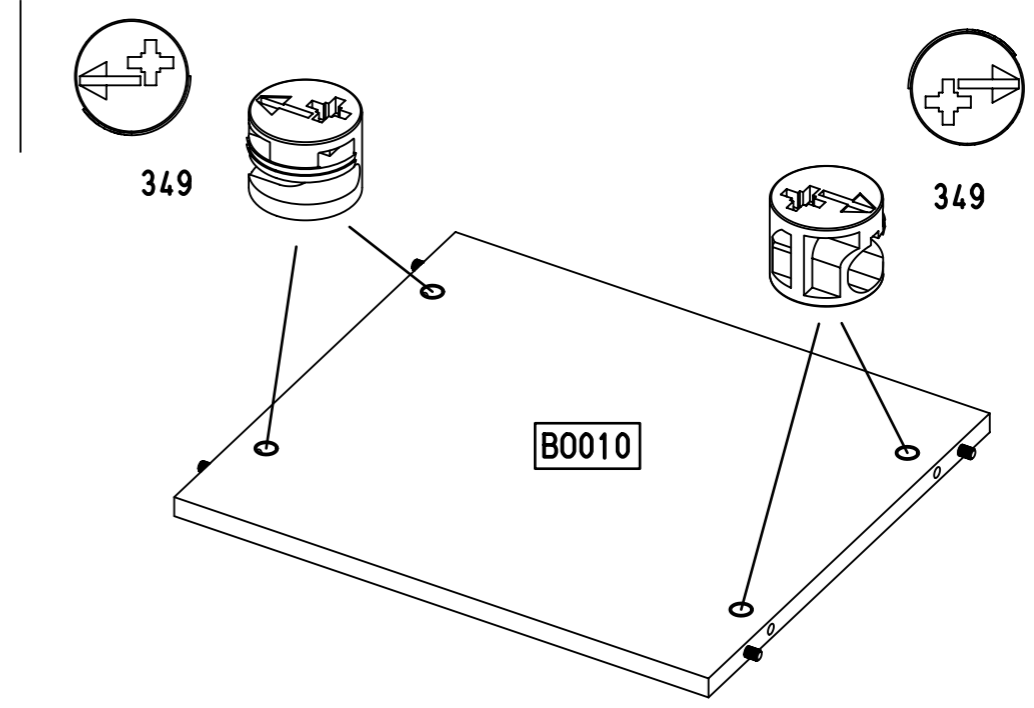
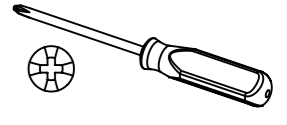
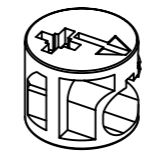


8x30



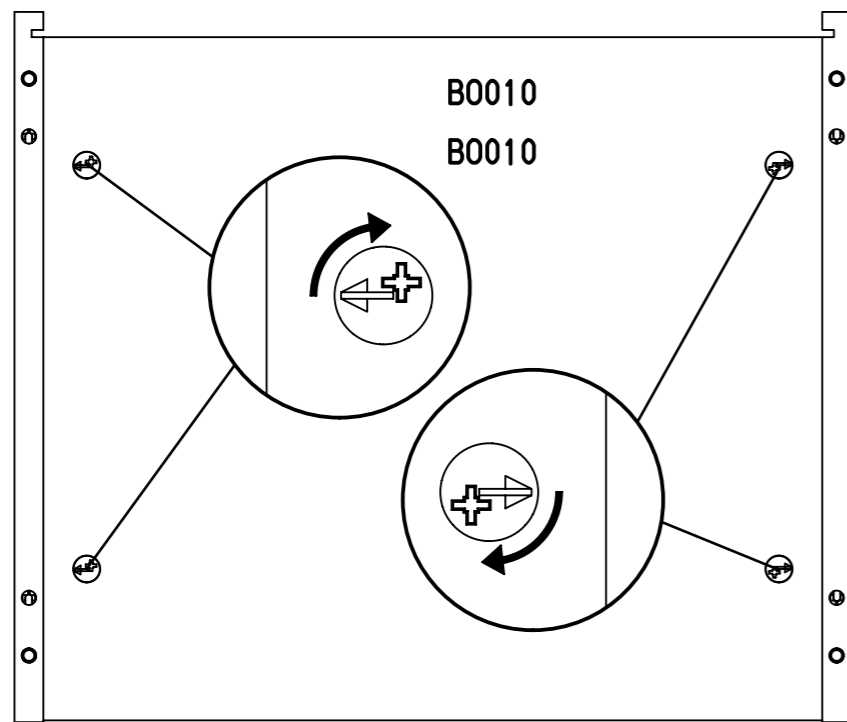
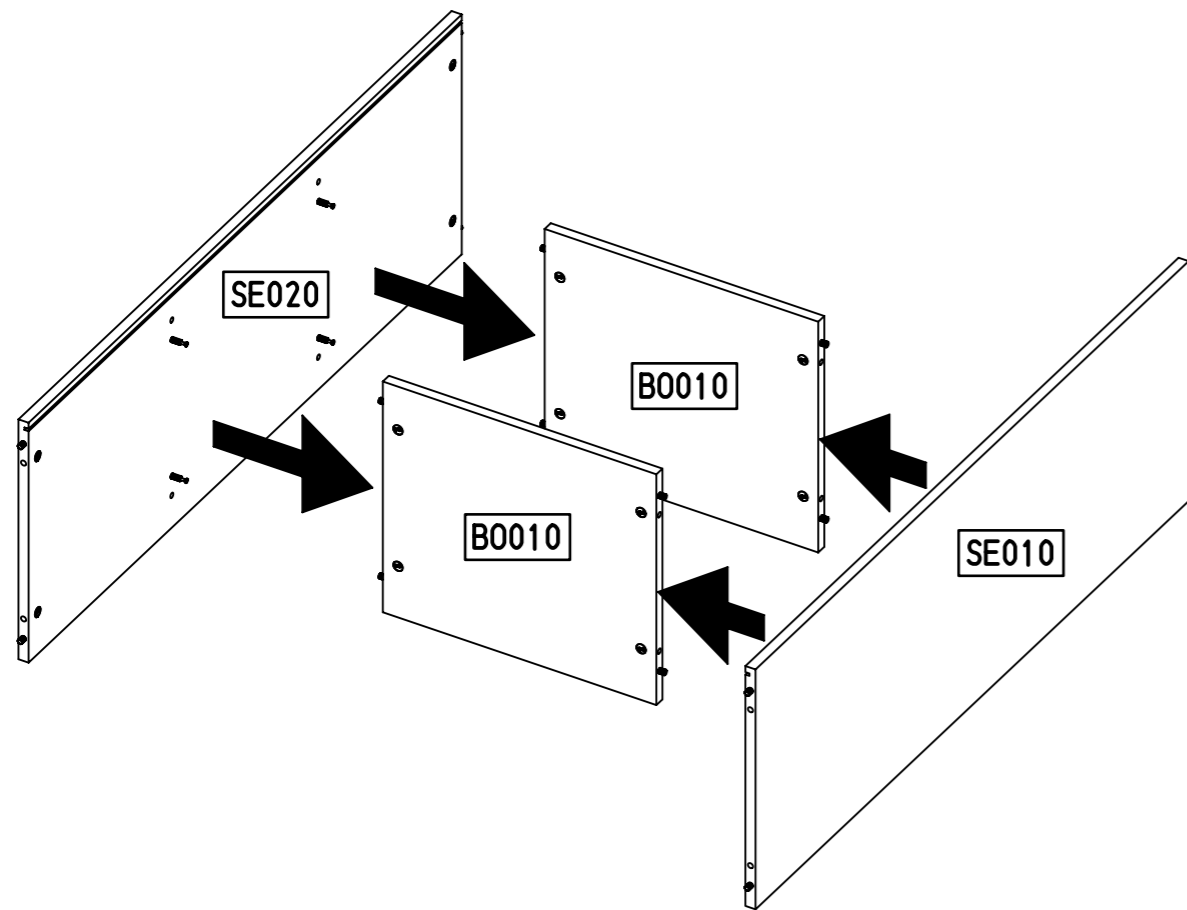
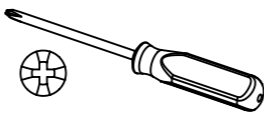
7

8x 349

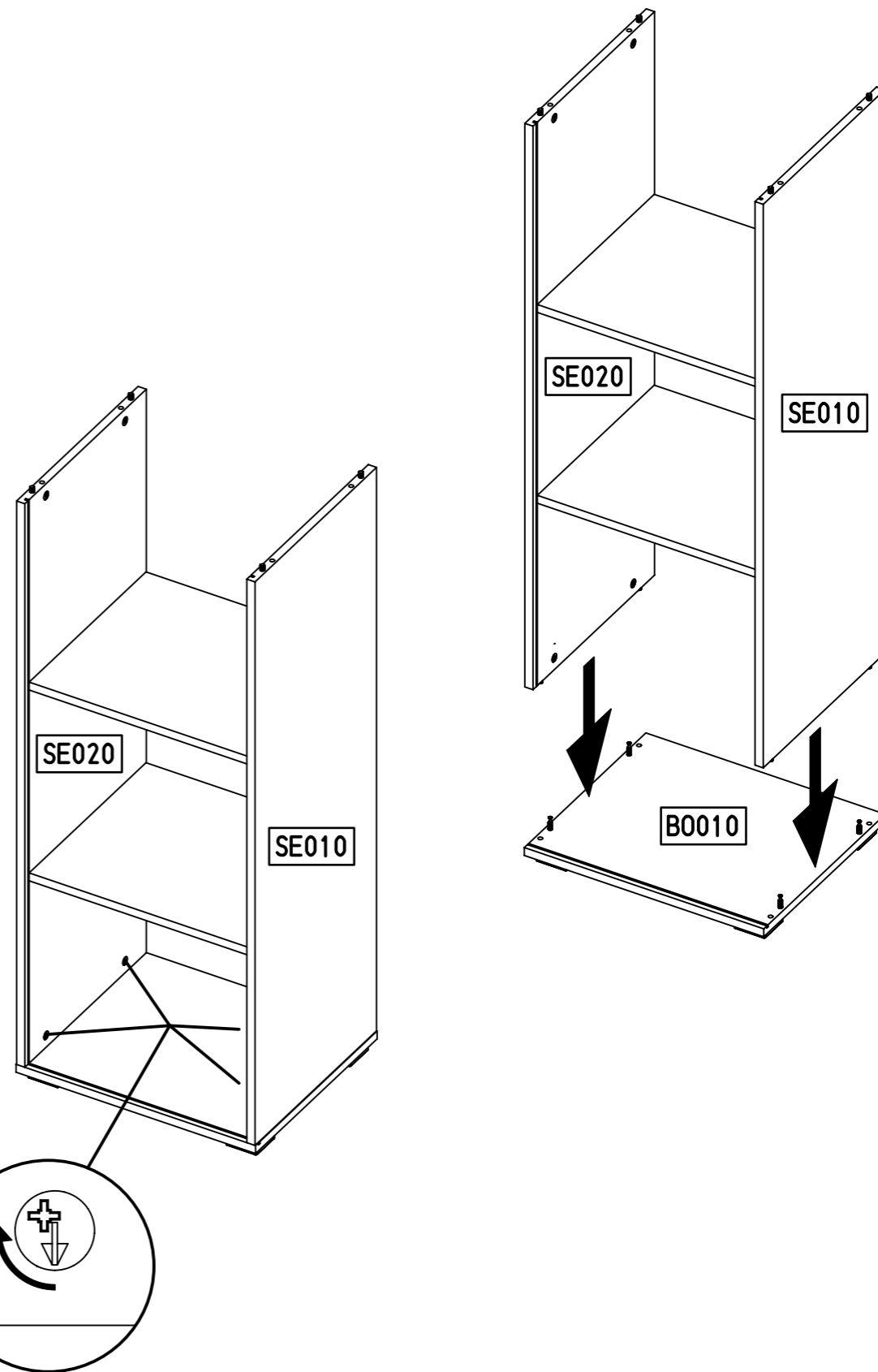
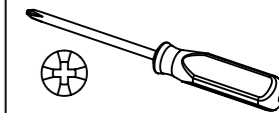


M2196

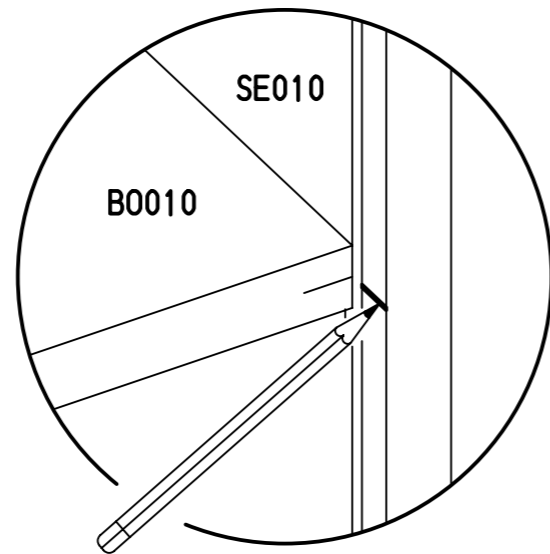
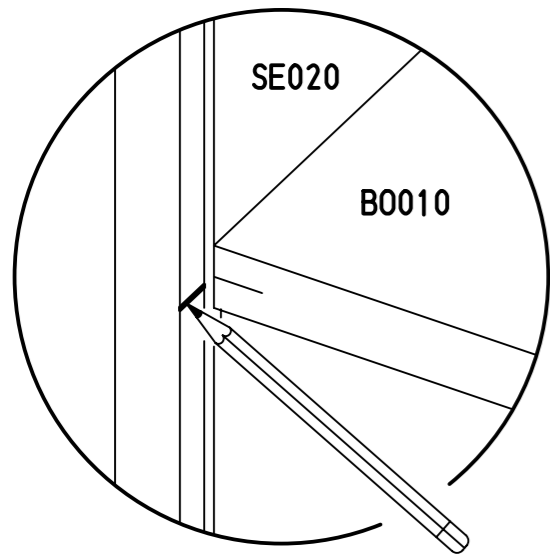
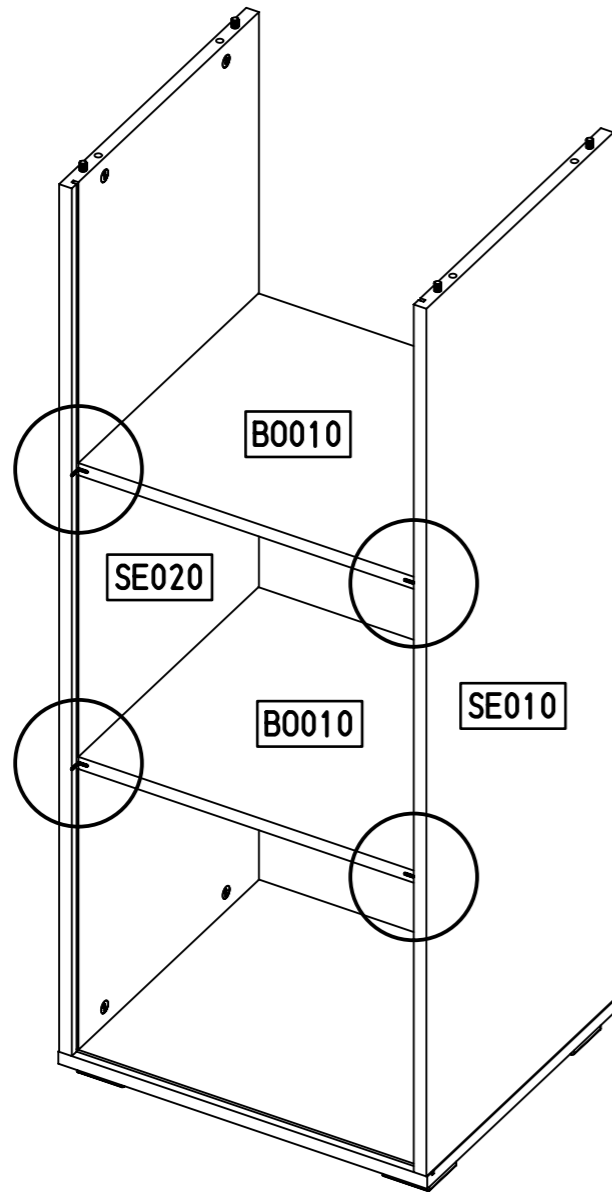
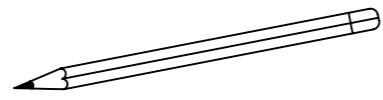
8



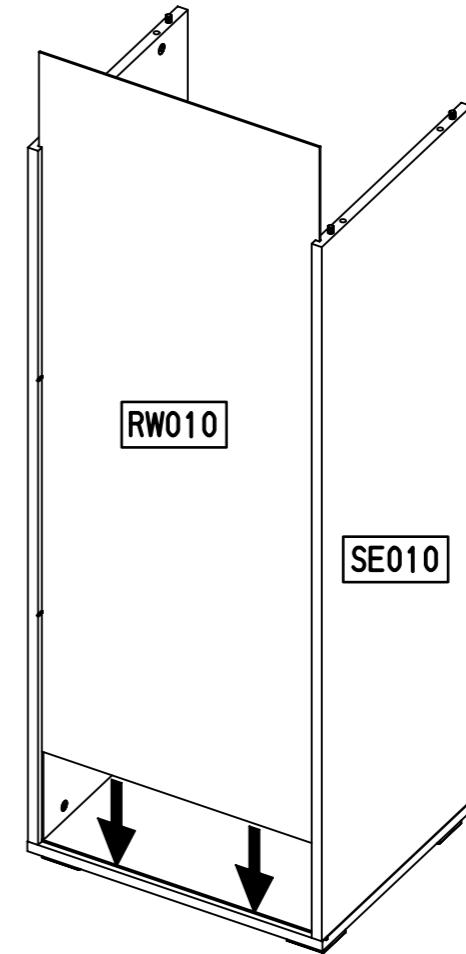
9



10

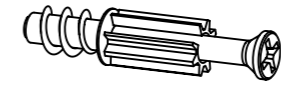


11

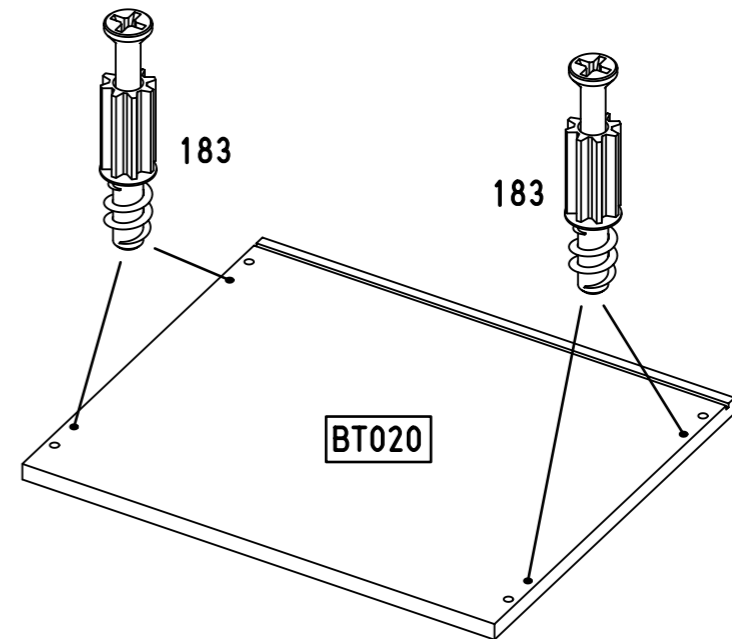
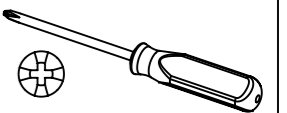


12

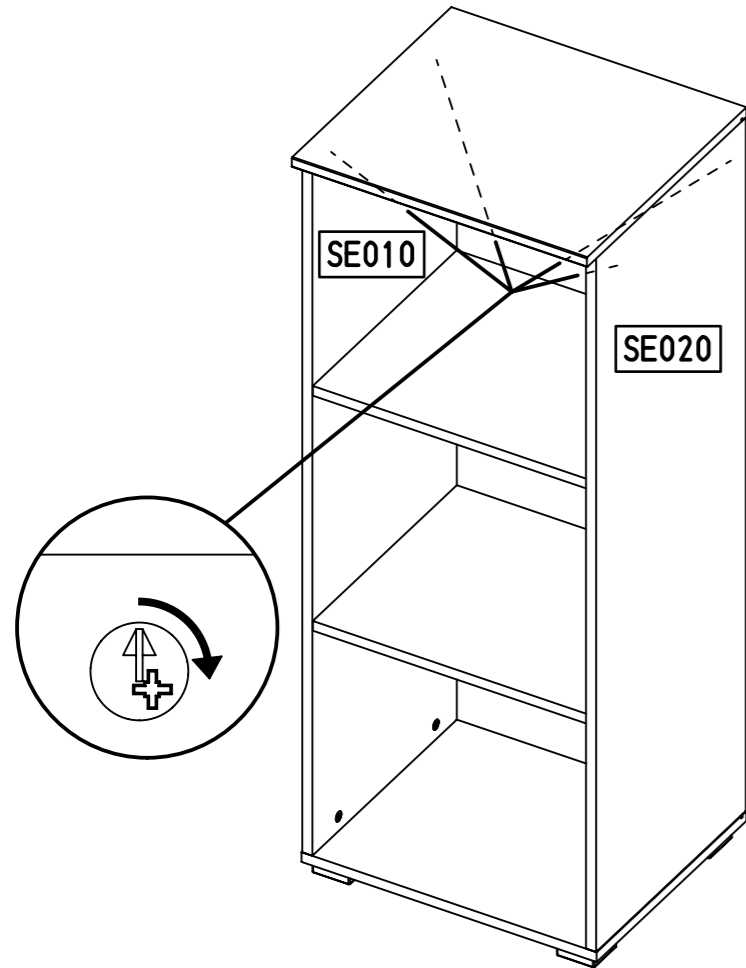
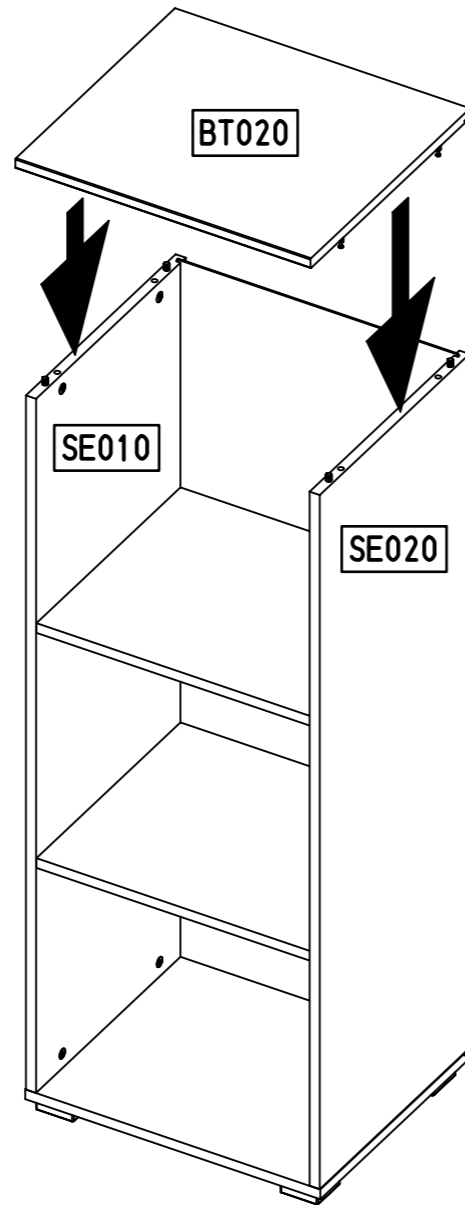
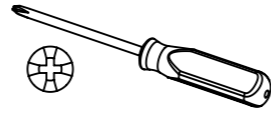
4x 183



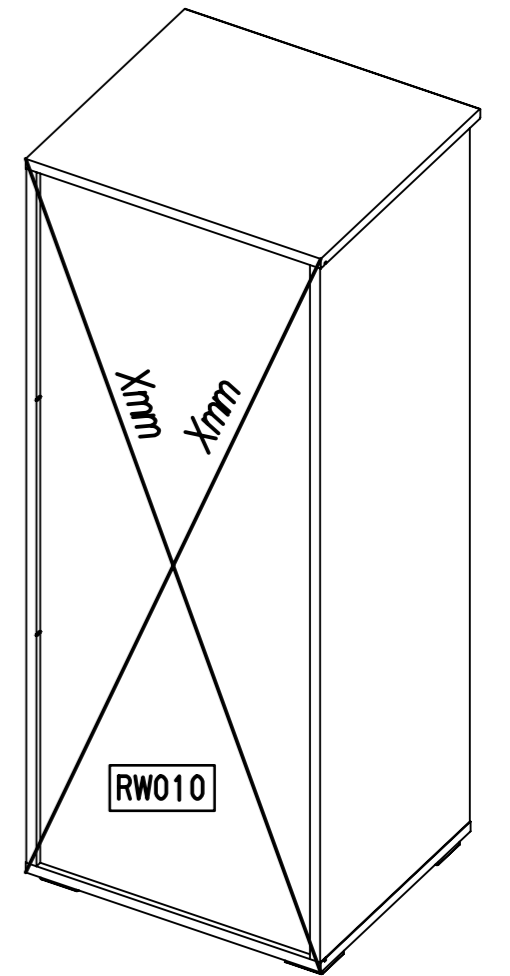
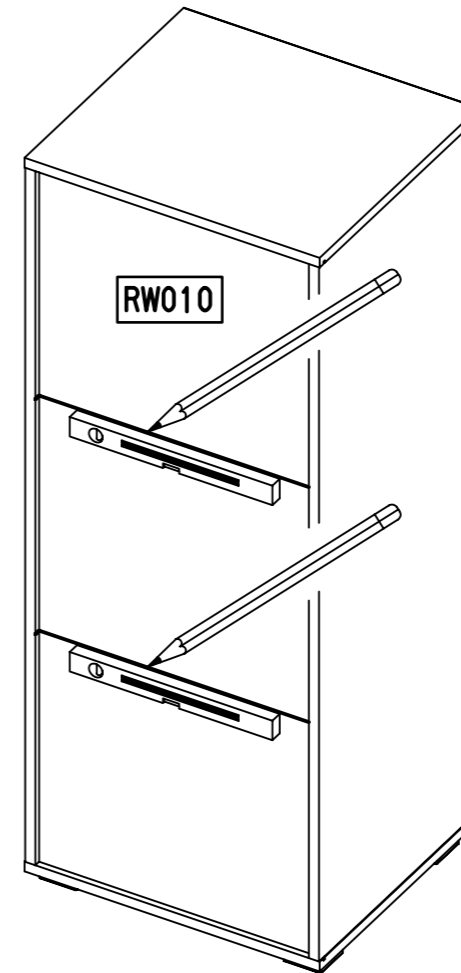
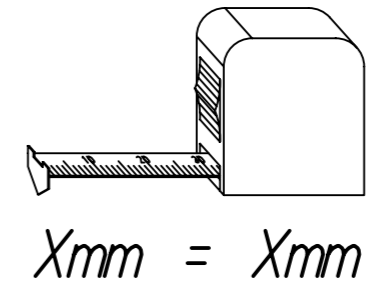
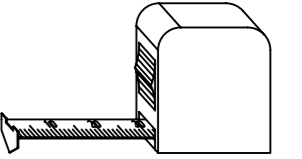
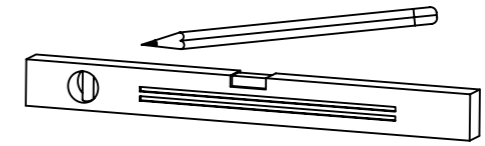
23/10x7,5/6,5



13



14



13.

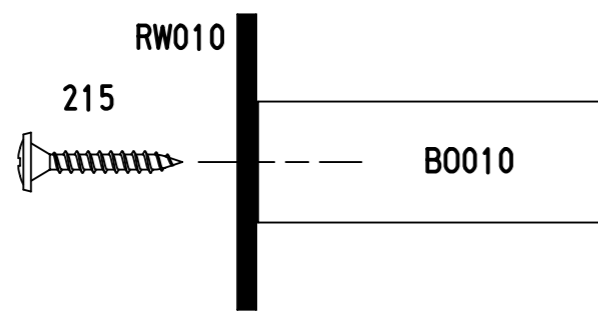
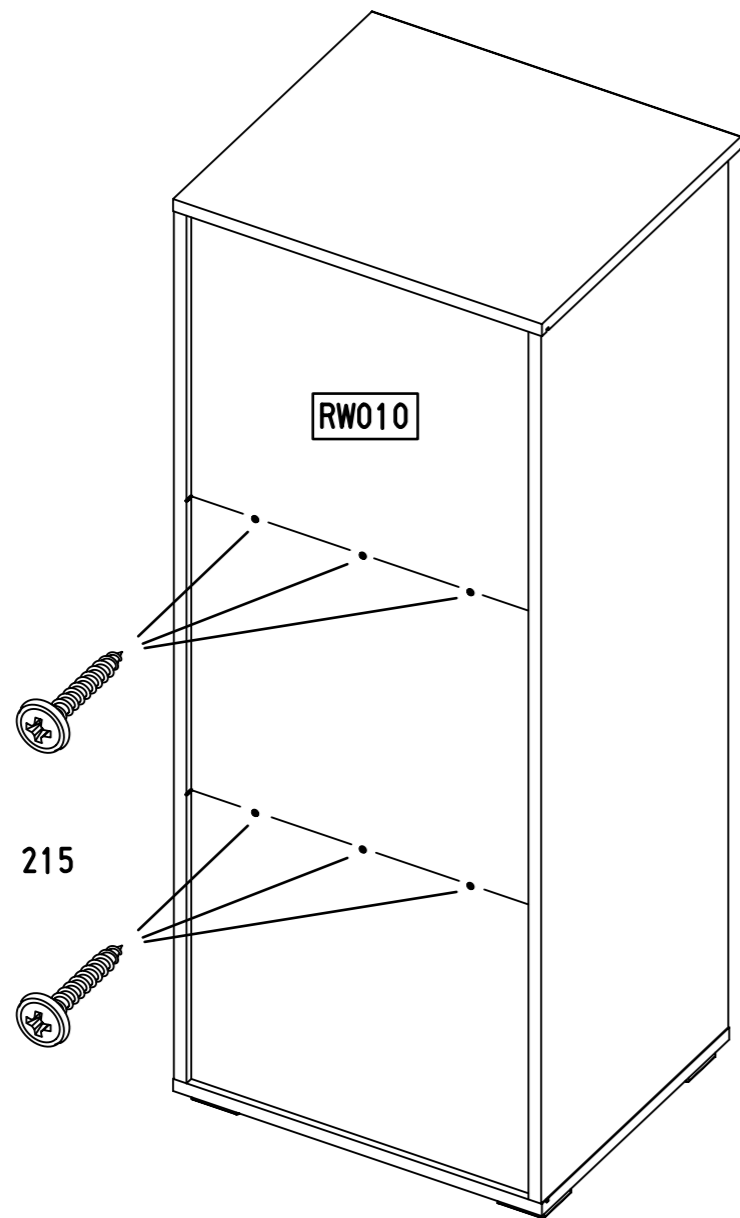
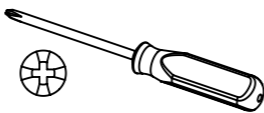
15

6x

215



3x20

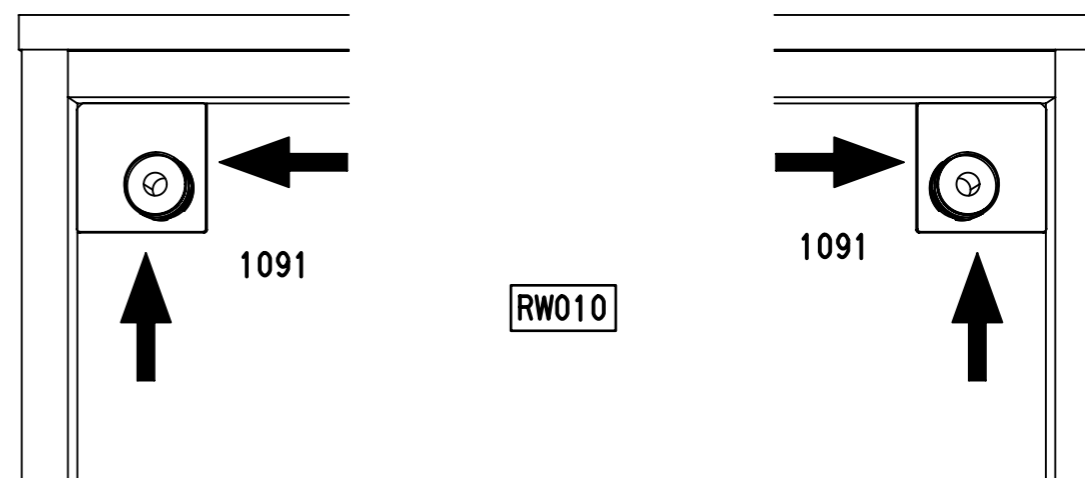
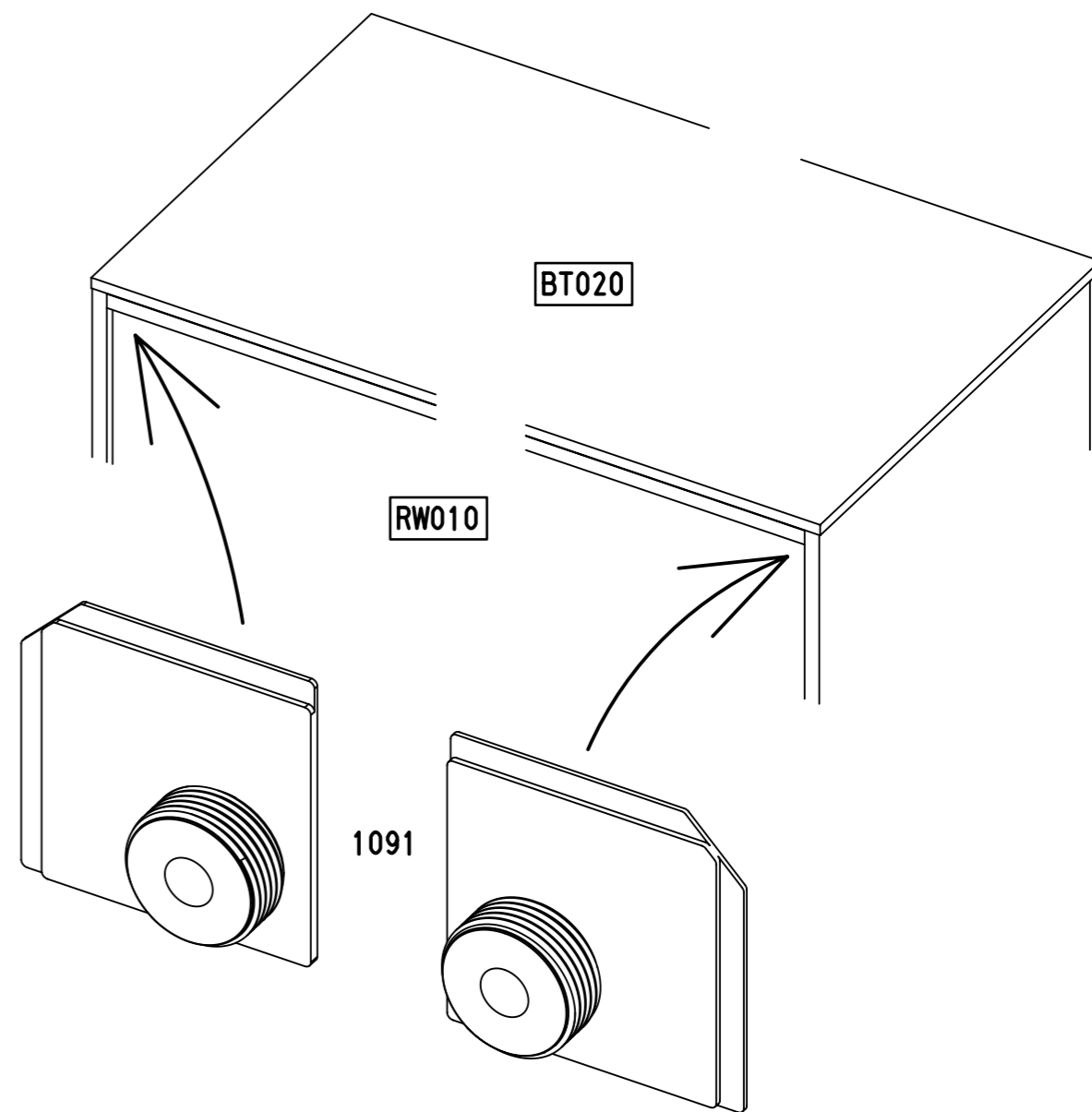
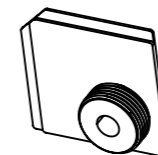


14.

16

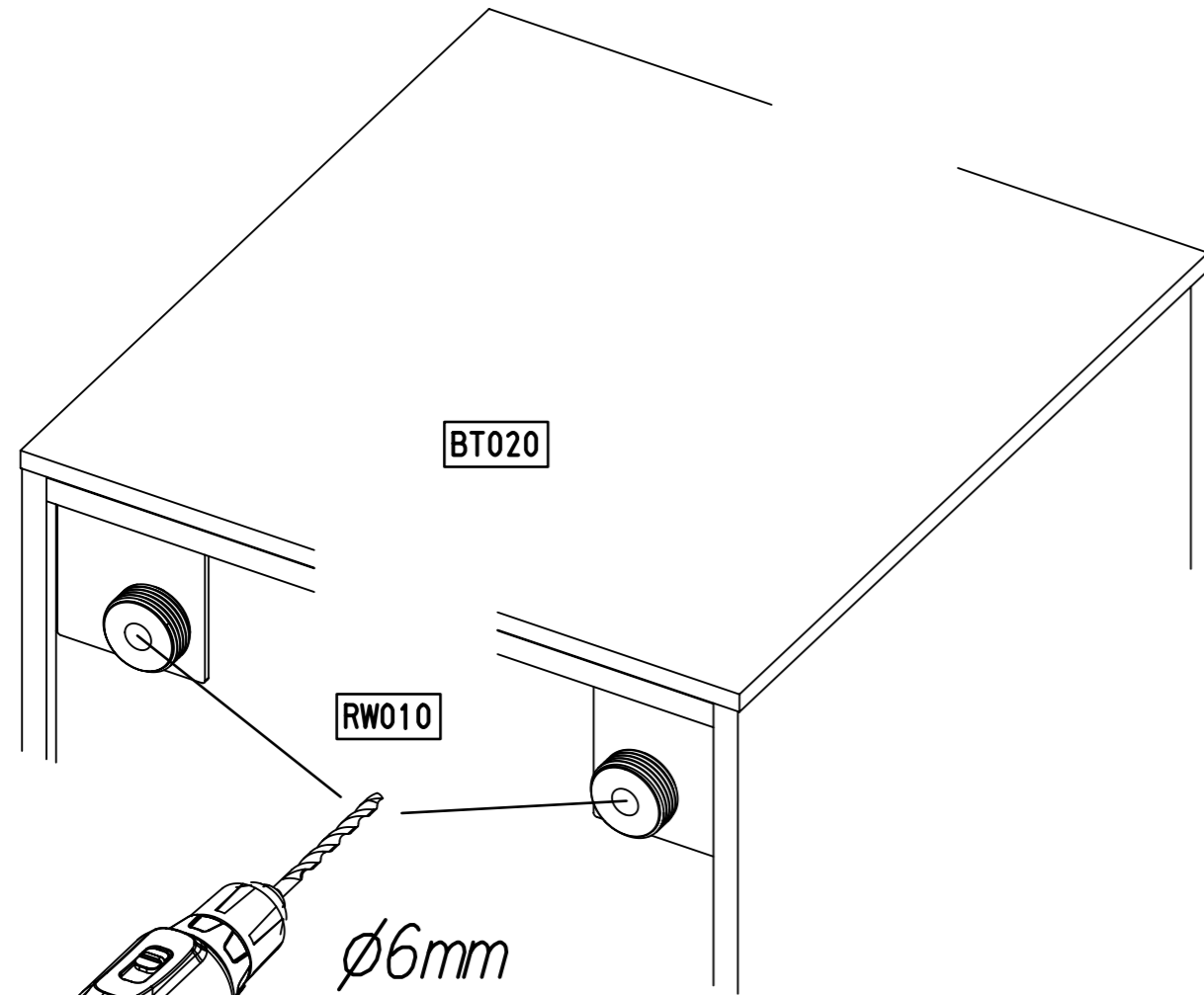
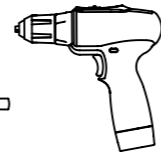
2x

1091



17

∅6mm



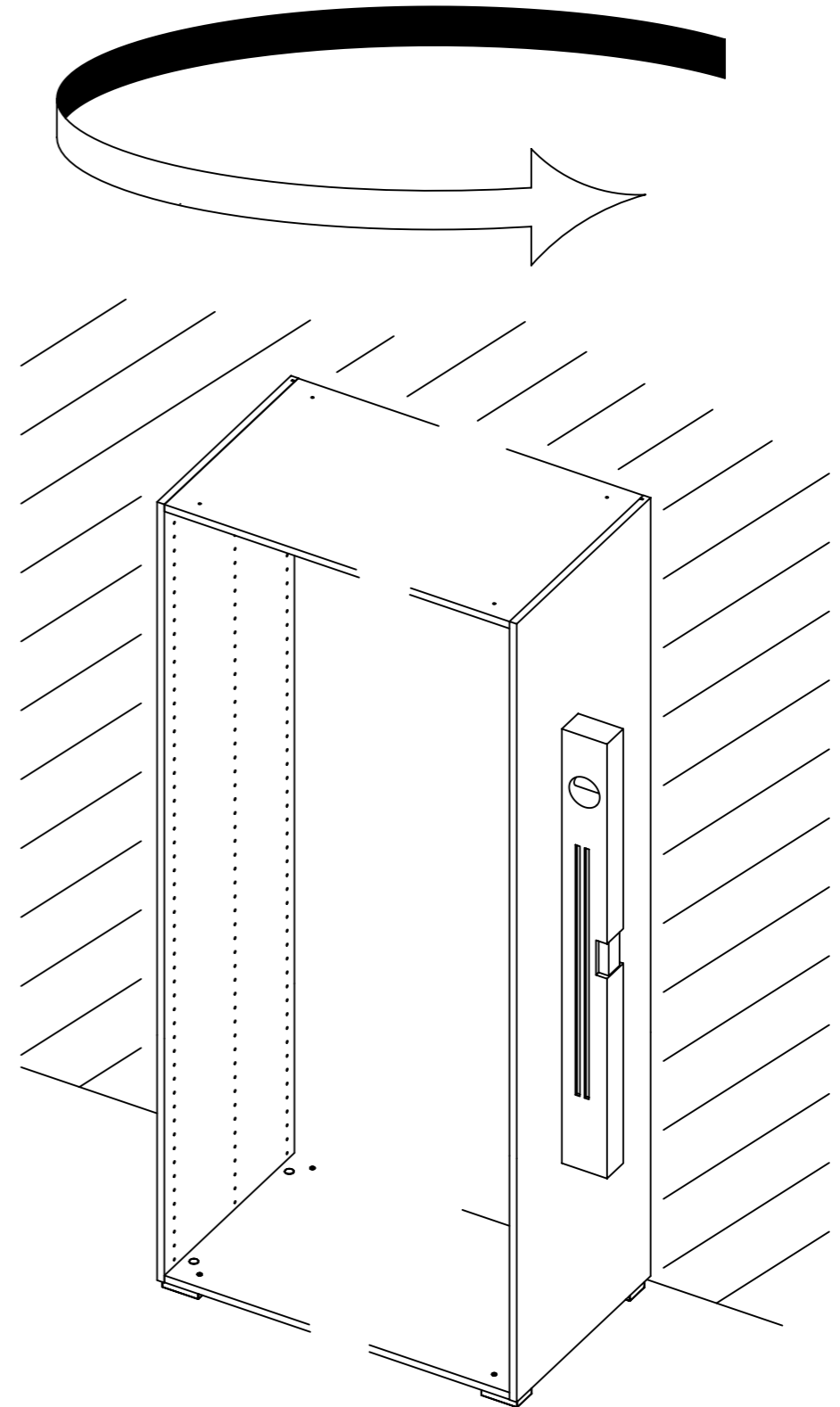
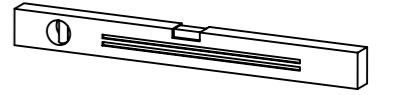
RW010

∅6mm

BT020

RW010

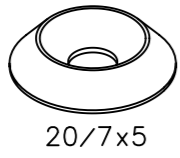
18





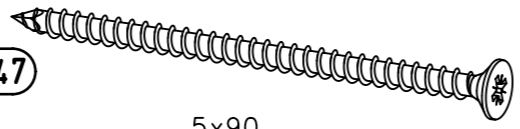
19

2x 1093

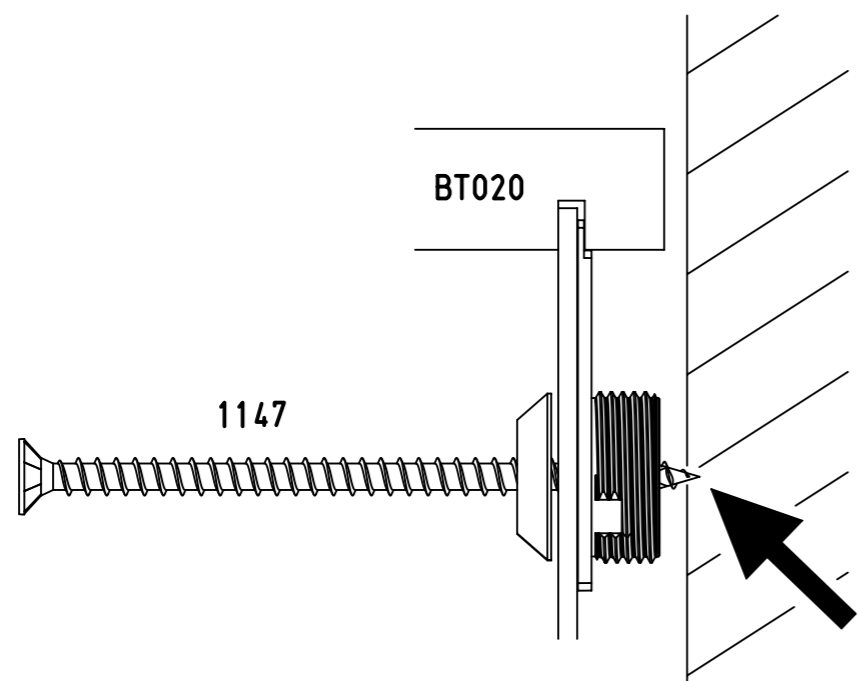
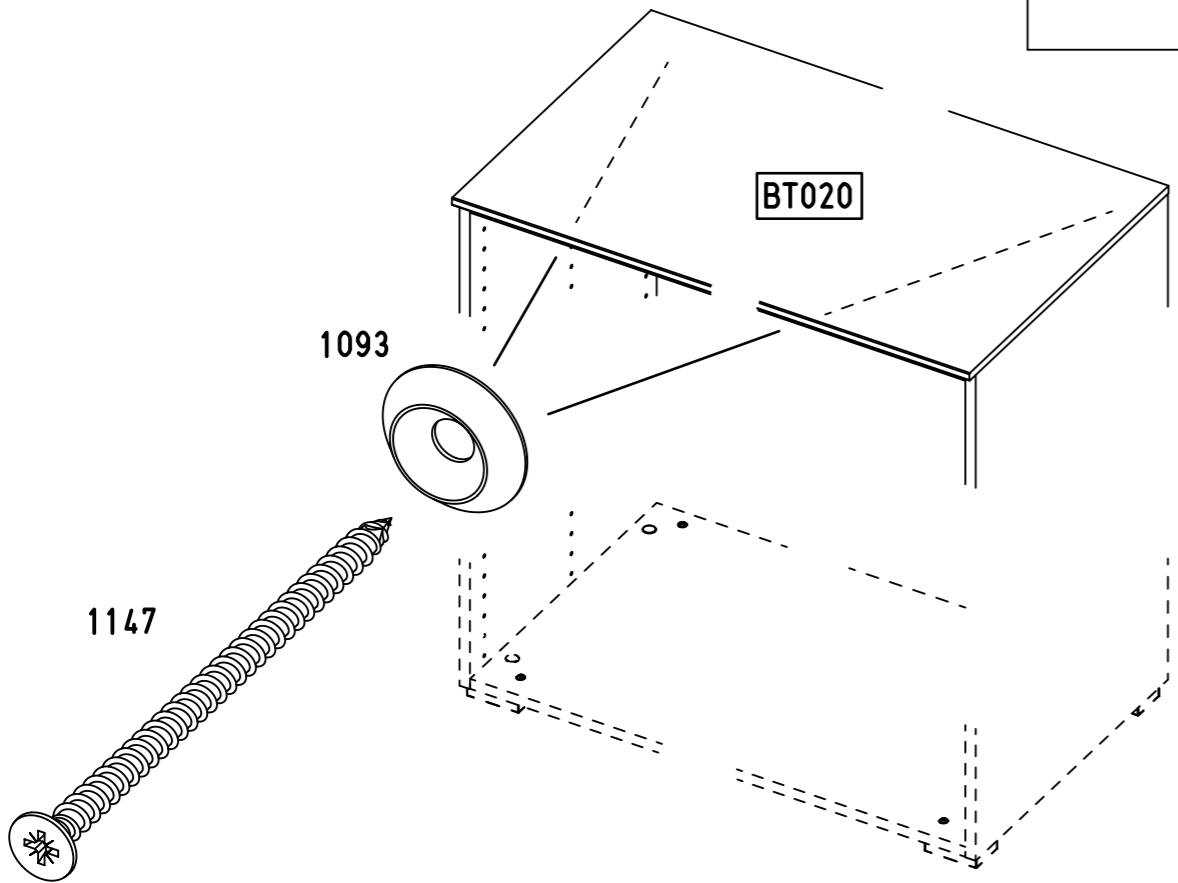
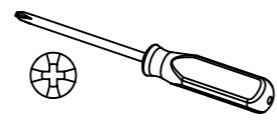


20/7x5

2x 1147



5x90

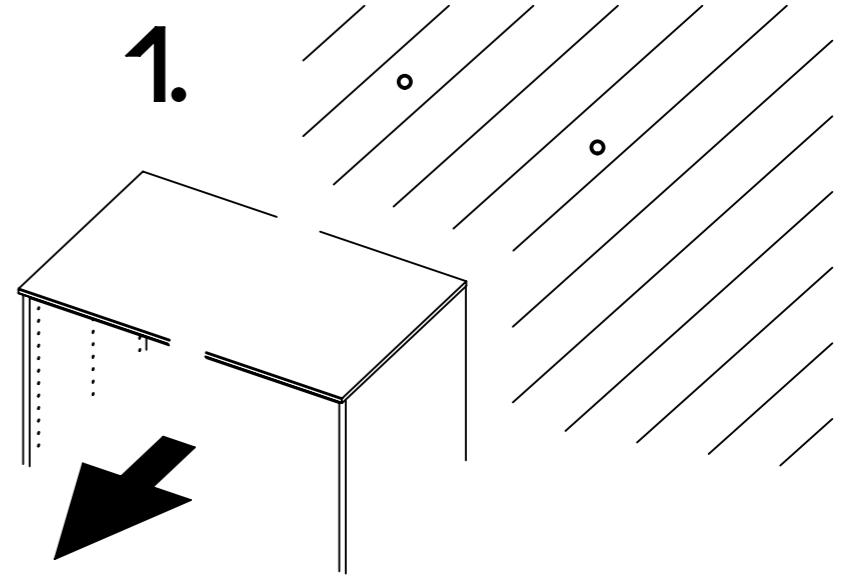


20

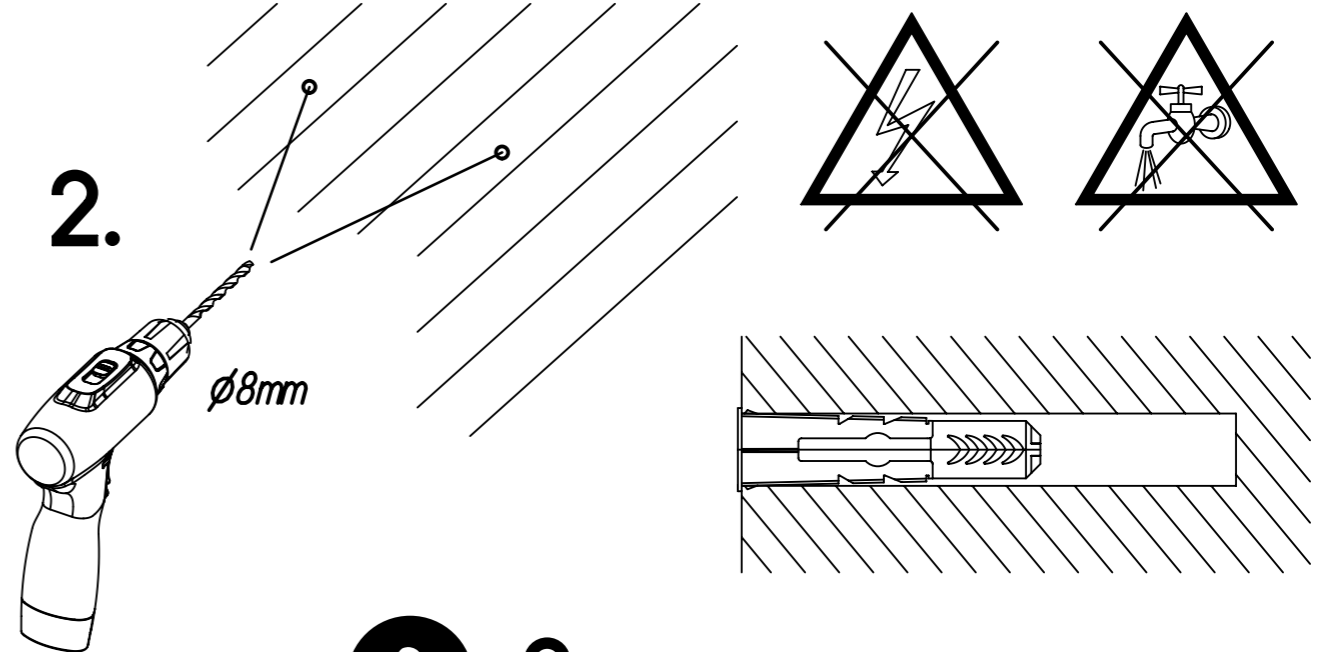
ø8mm



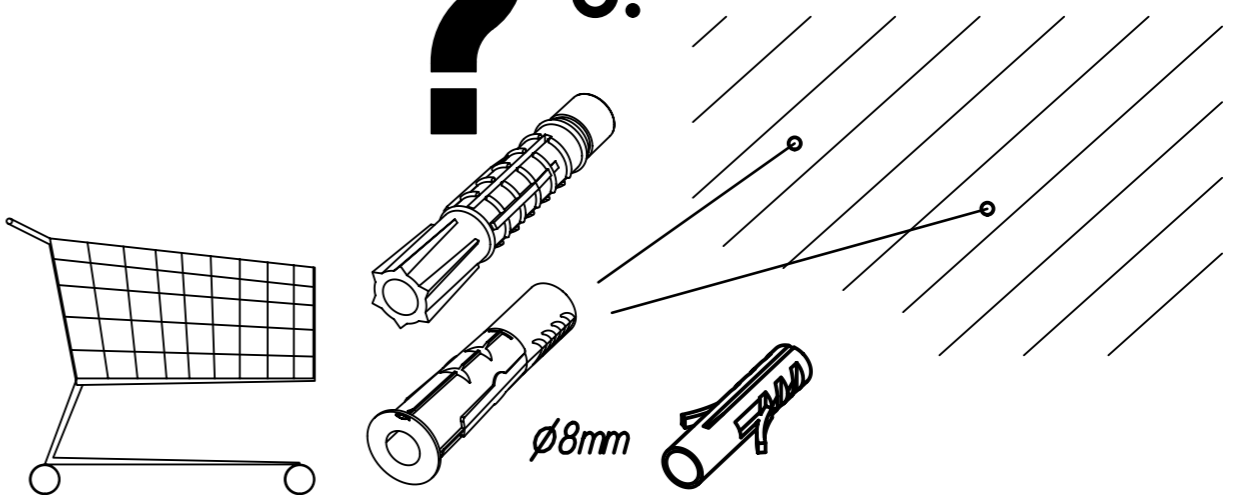
1.



2.

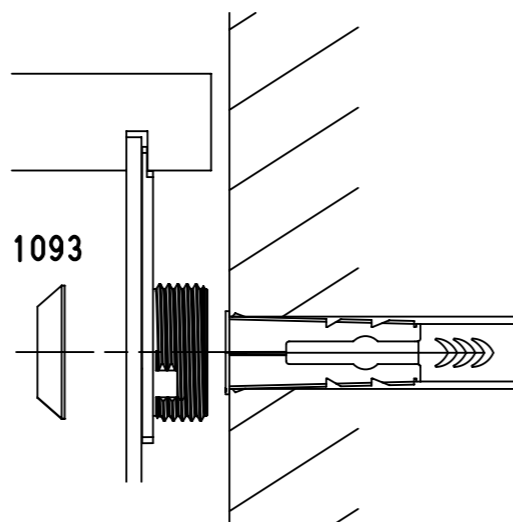
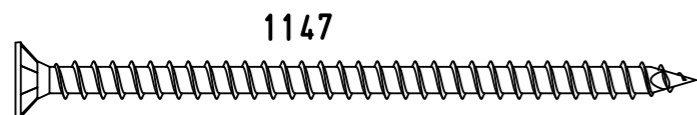
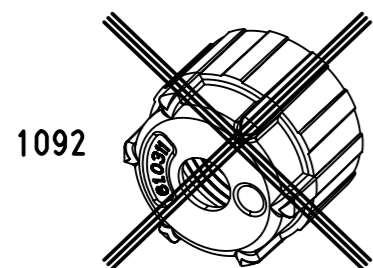
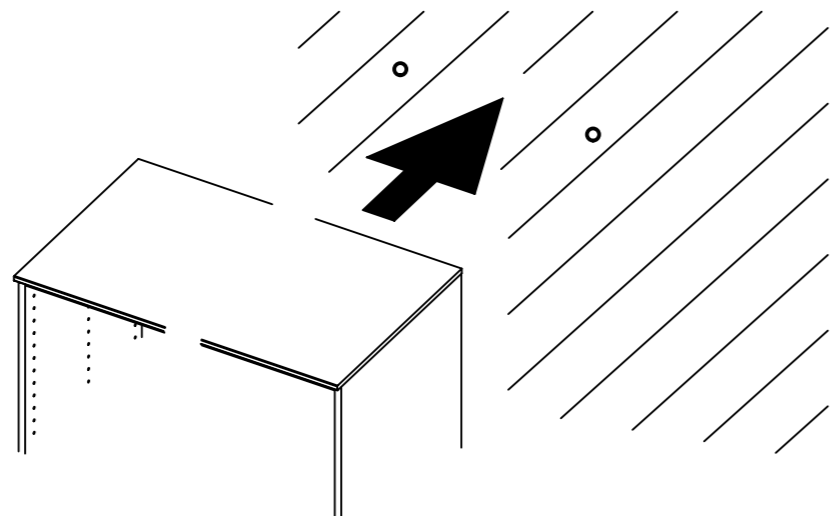
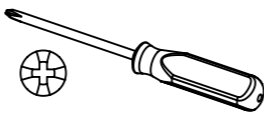
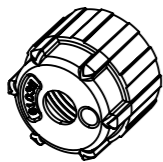


? 3.



21

2x 1092



10-15mm

