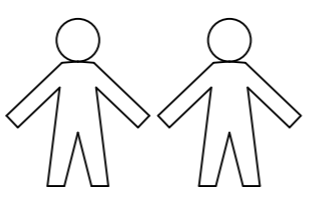
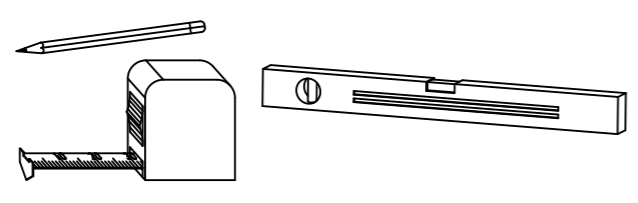
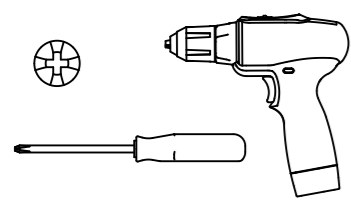


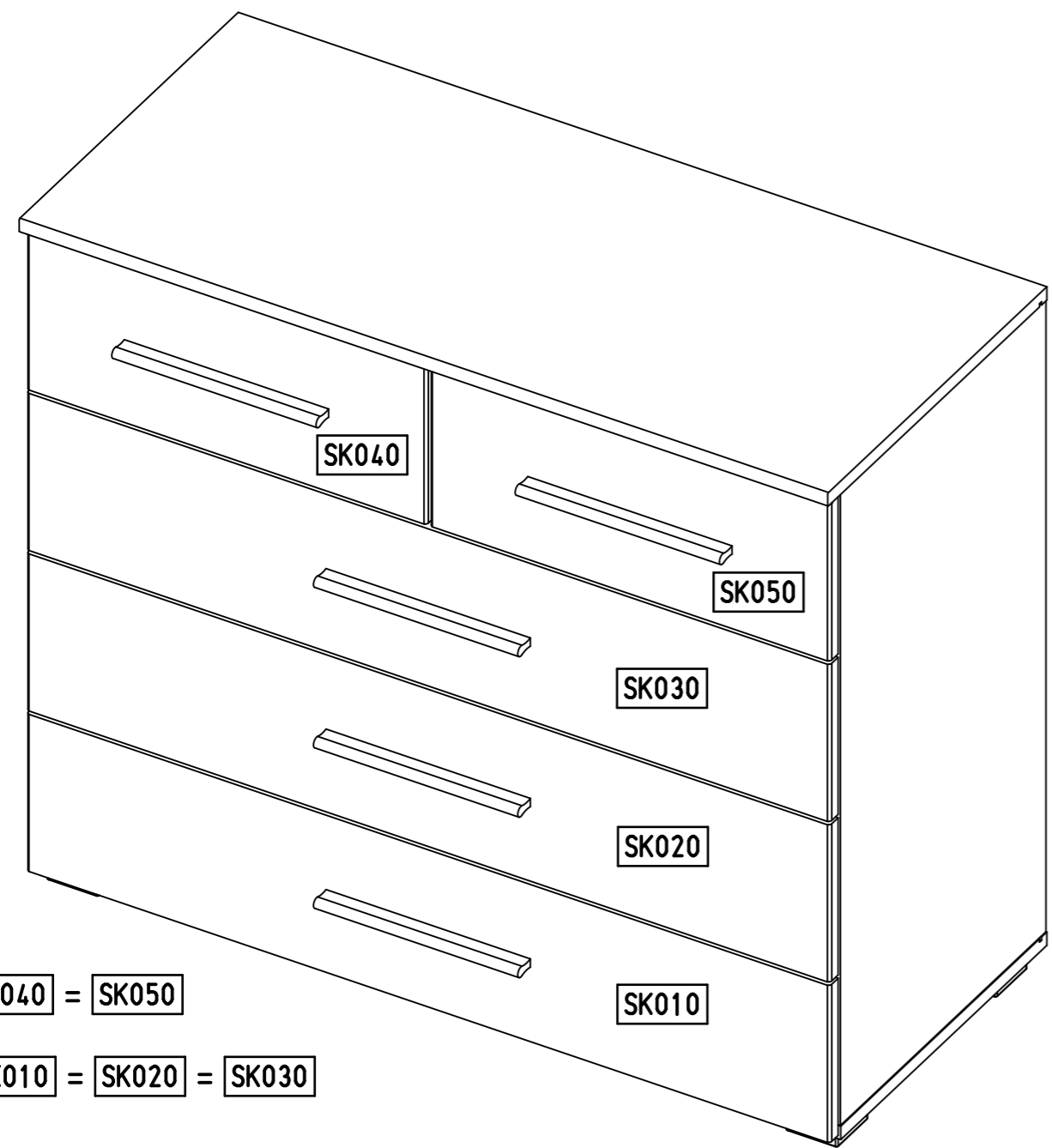
1.

M2109\_04



ø8mm  
ø6mm

1,5-2h

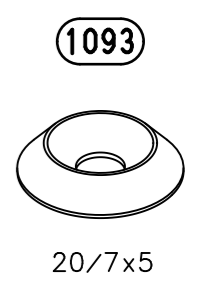
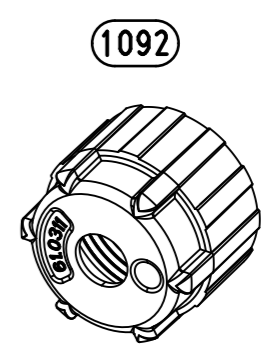
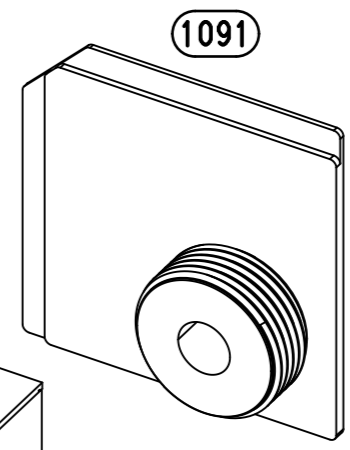


SK040 = SK050

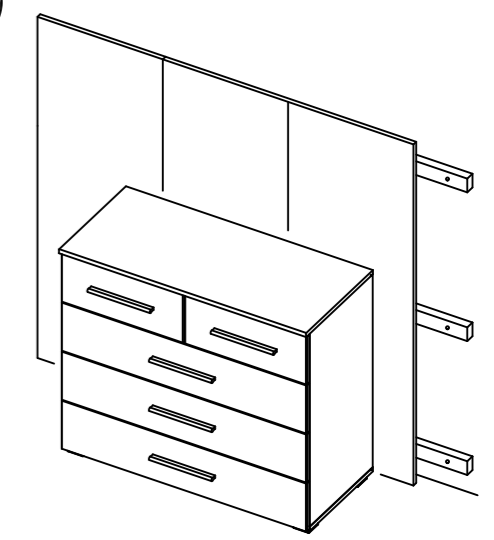
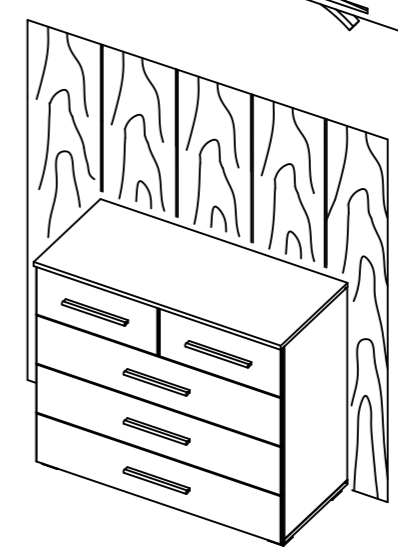
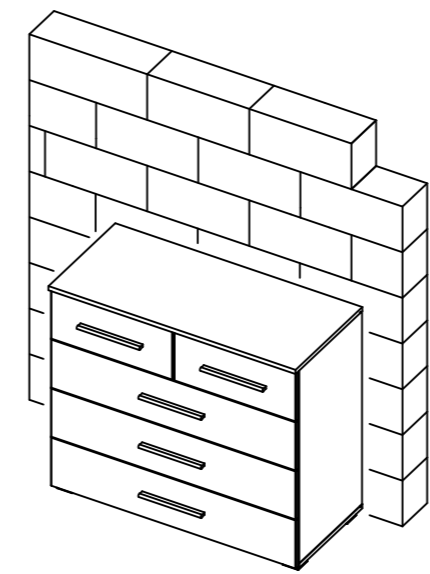
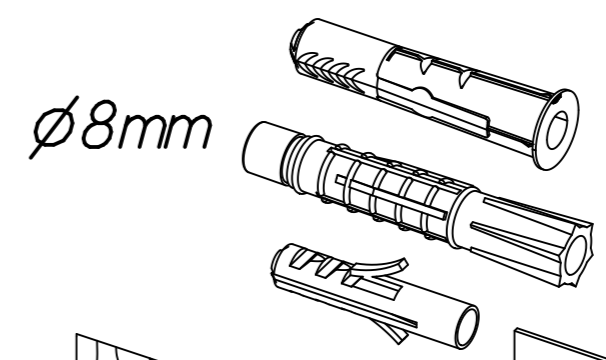
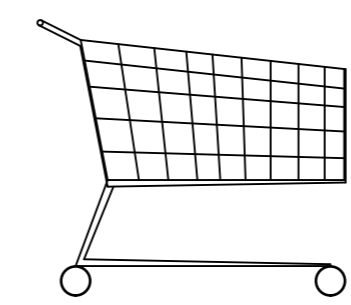
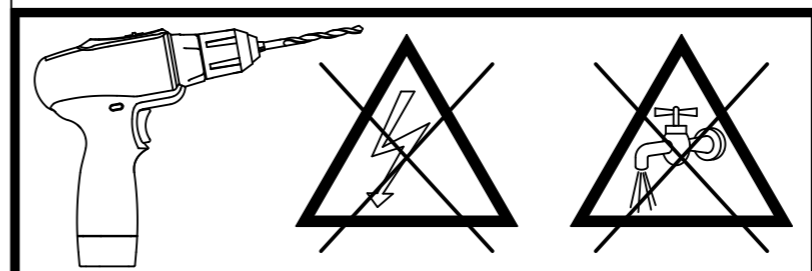
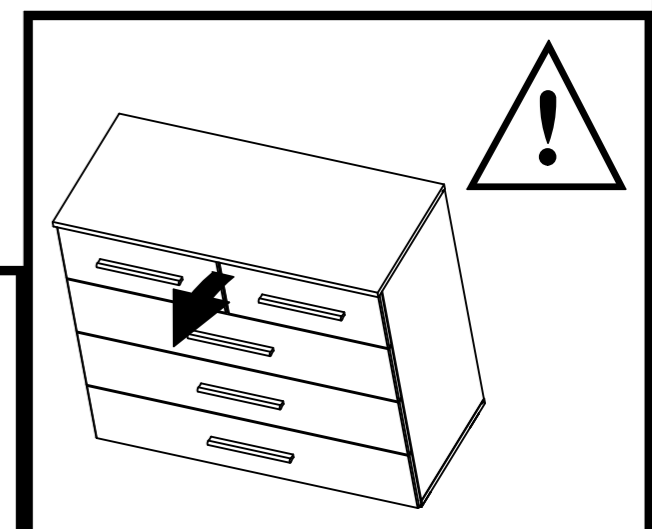
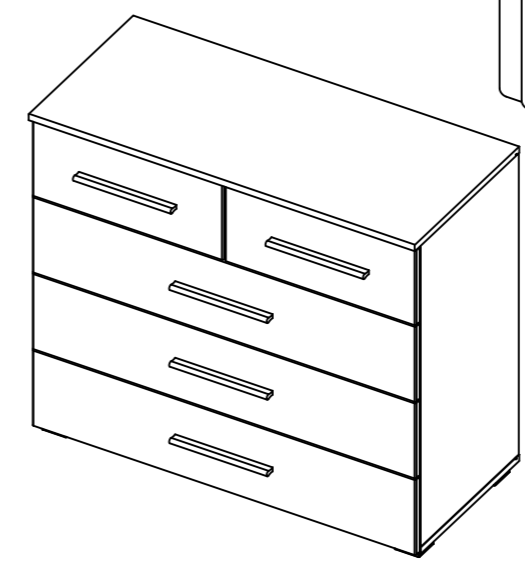
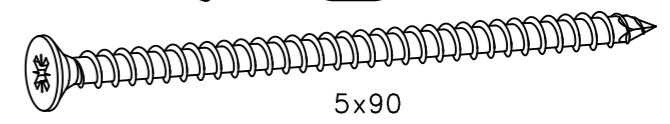
SK010 = SK020 = SK030

2.

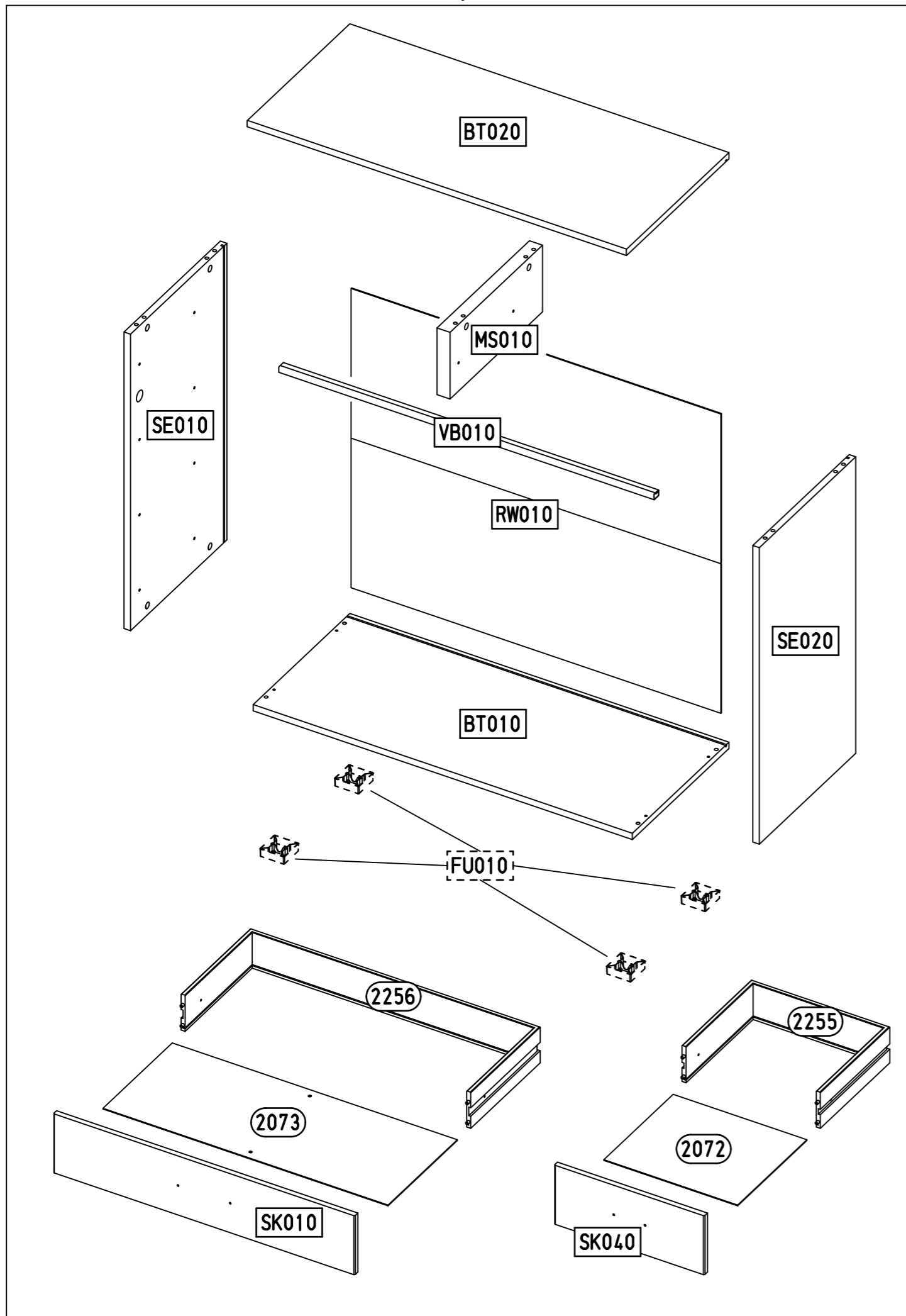
2x



1147

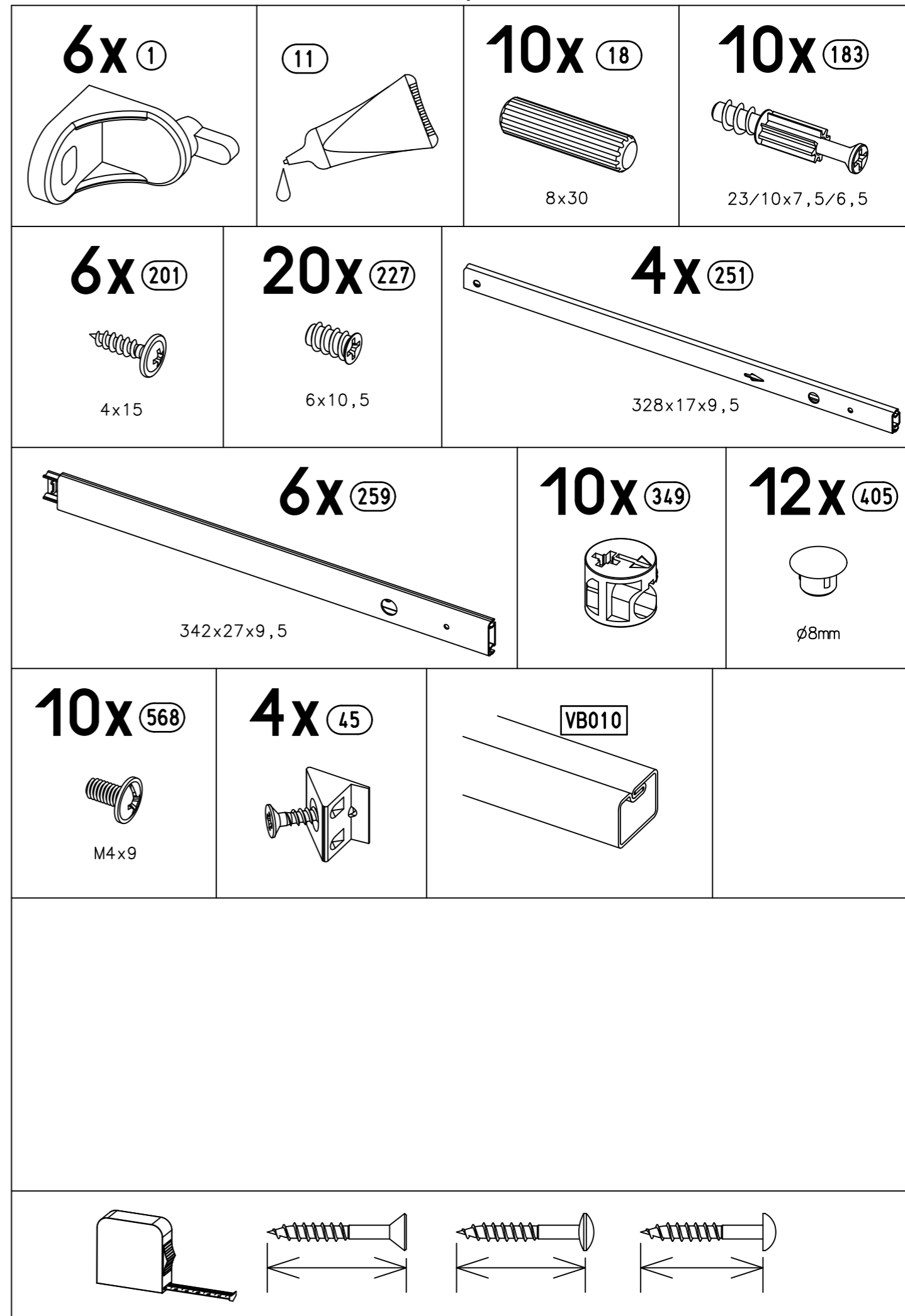


3.



M2109

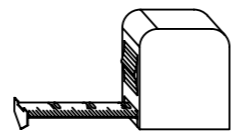
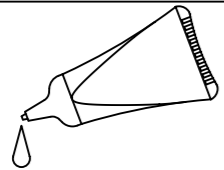
4.



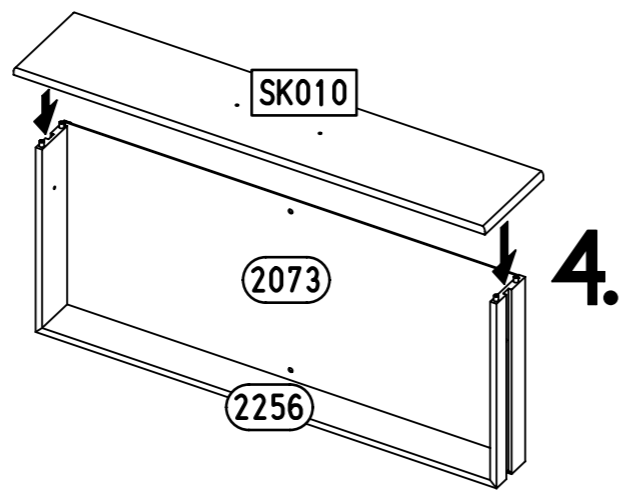
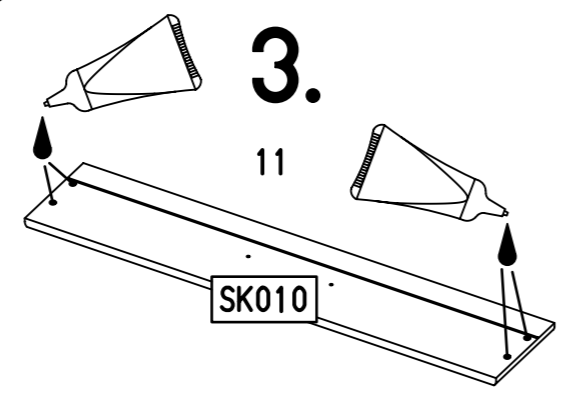
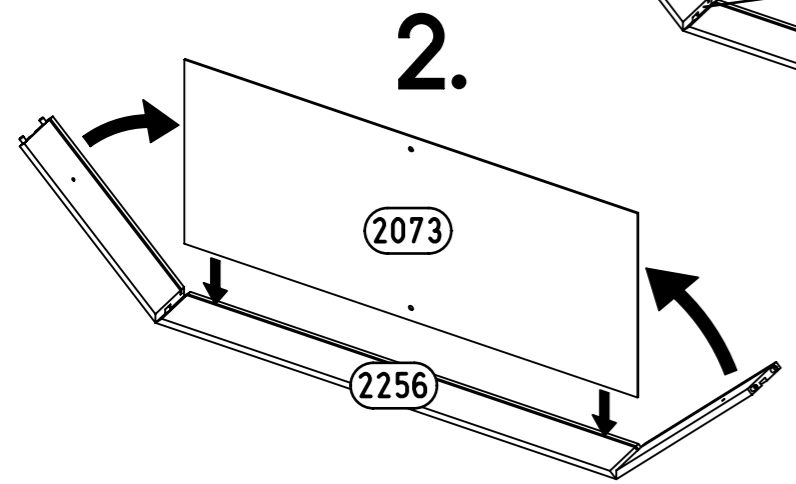
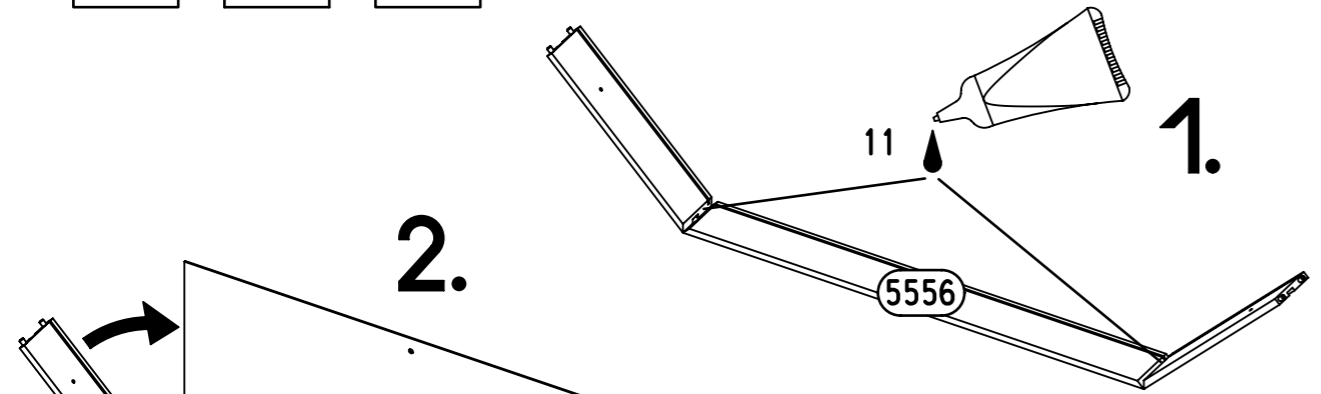
M2109

1

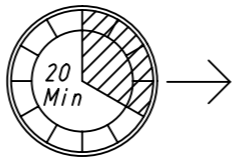
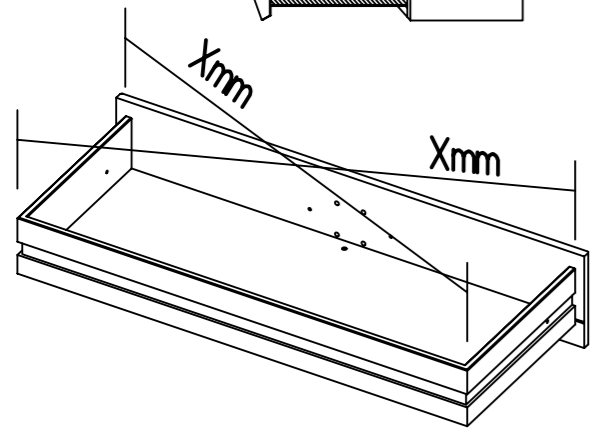
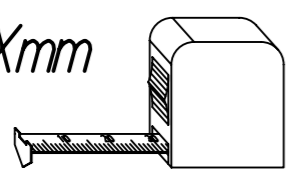
11



SK010 = SK020 = SK030

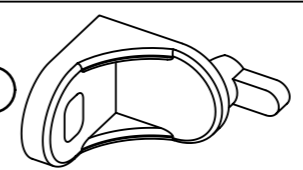


Xmm = Xmm

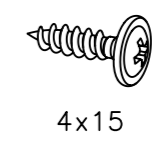


2

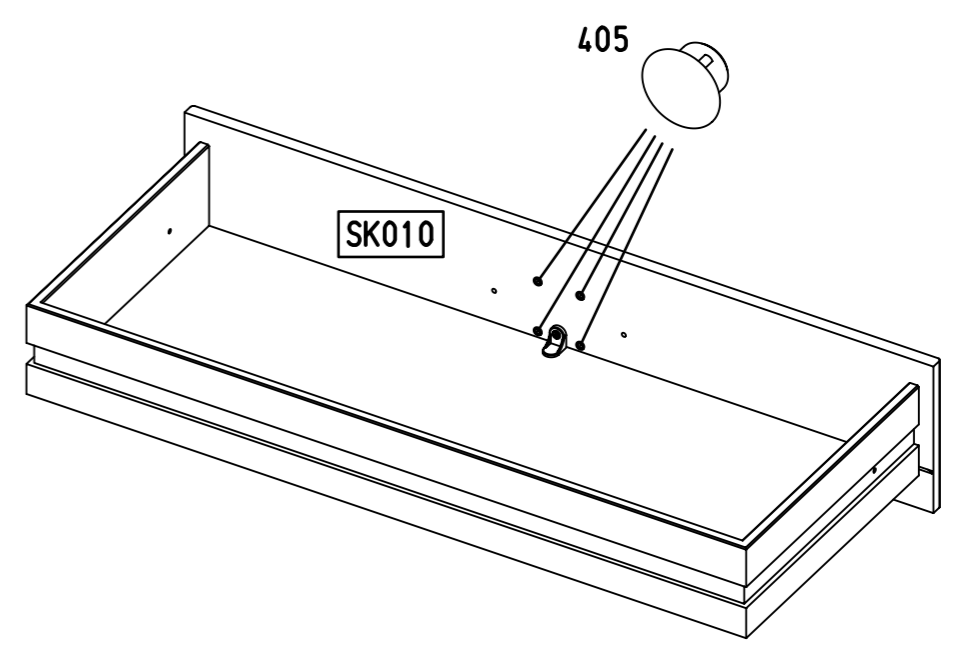
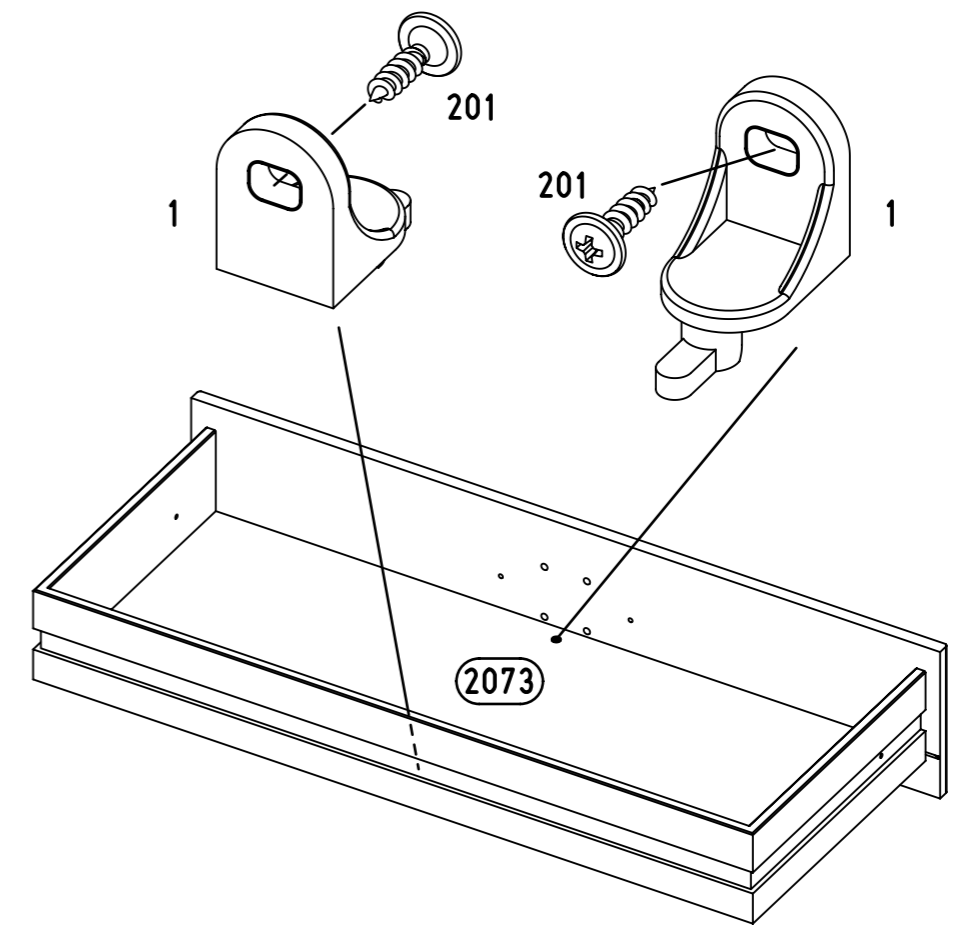
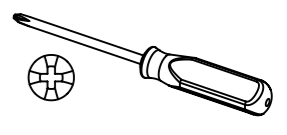
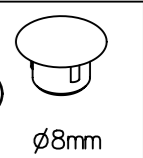
6x 1



6x 201

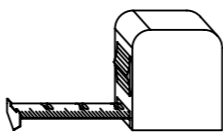
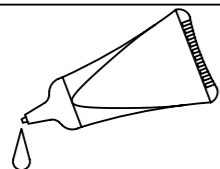


12x 405

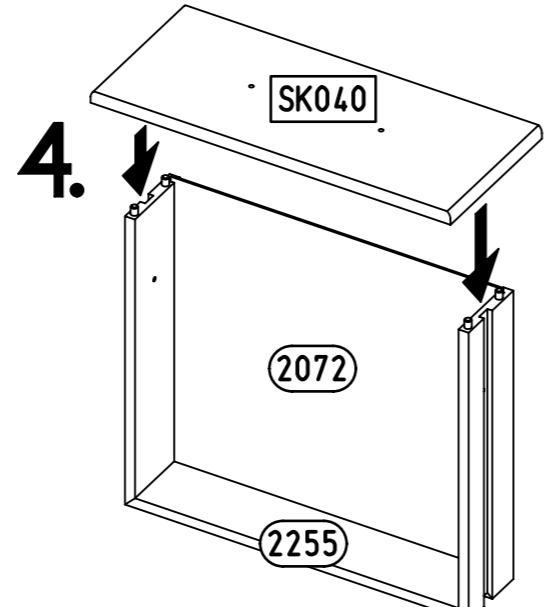
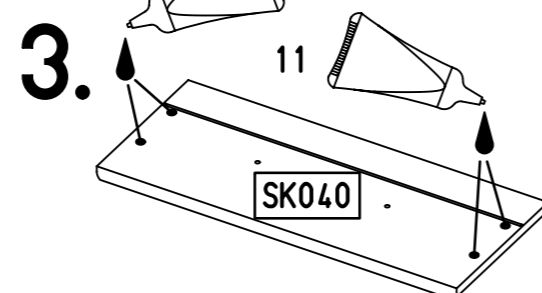
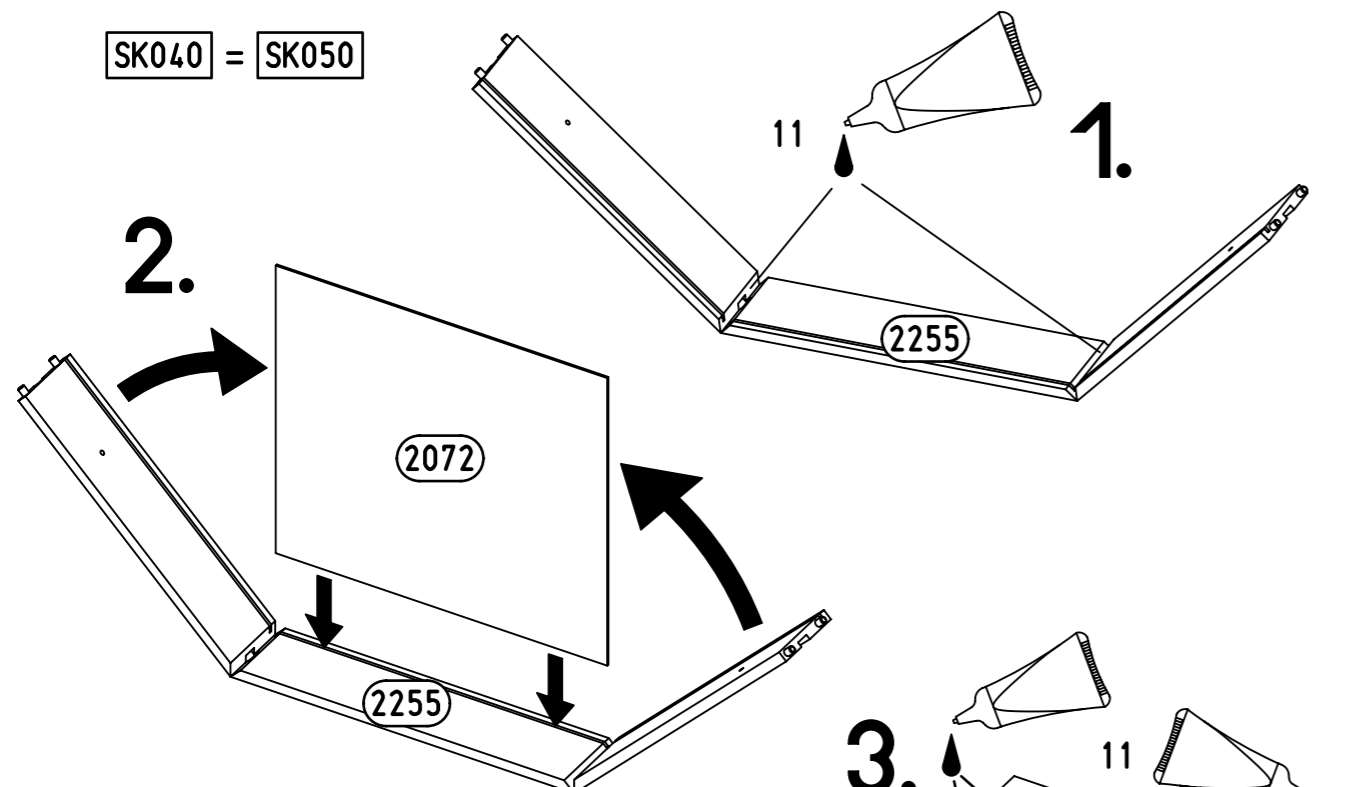


3

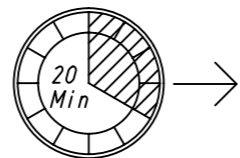
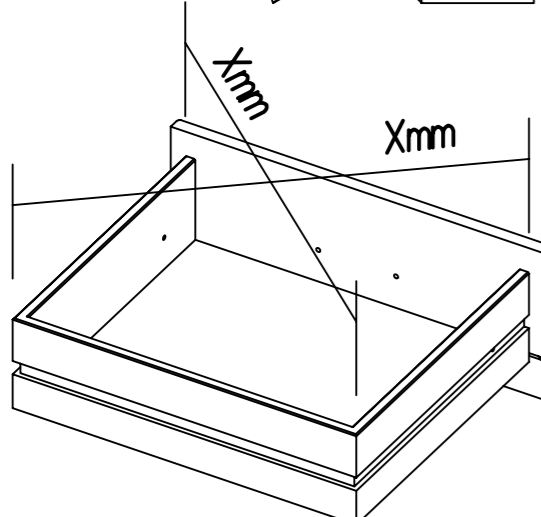
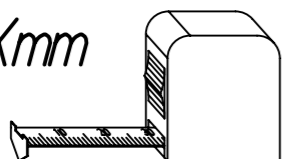
11



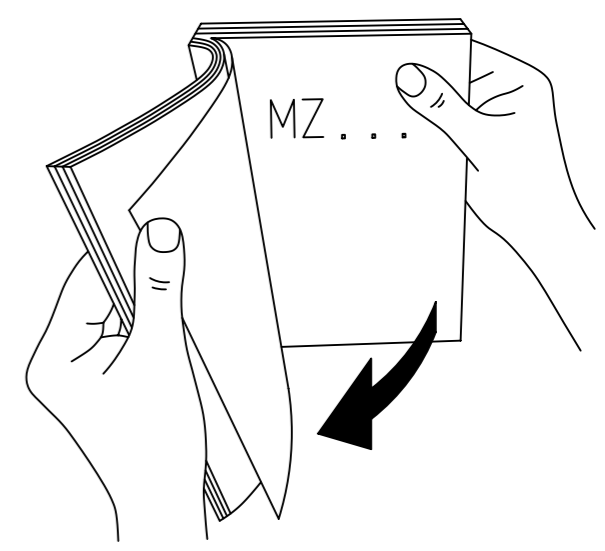
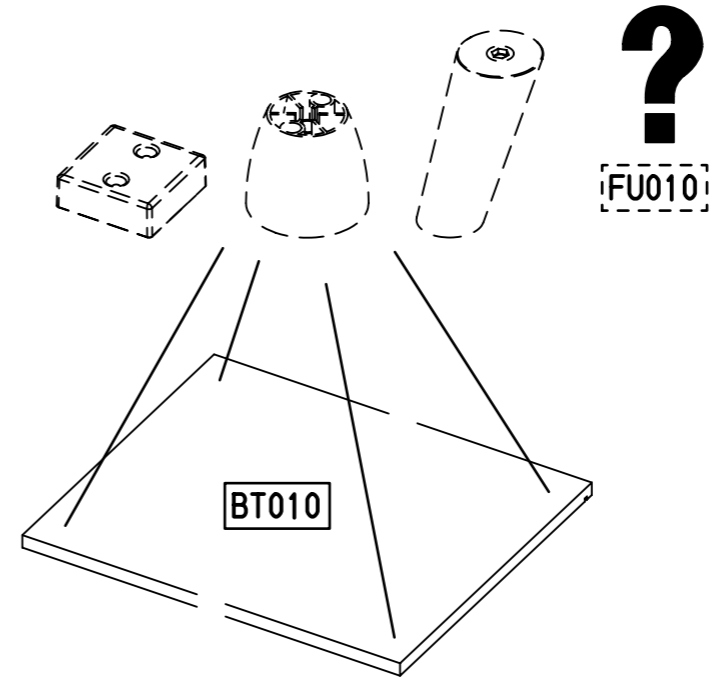
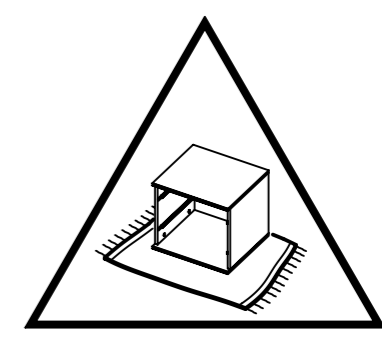
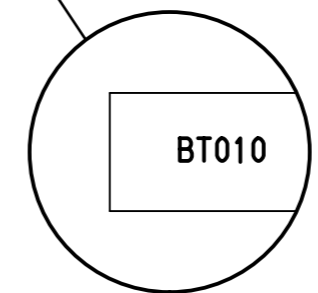
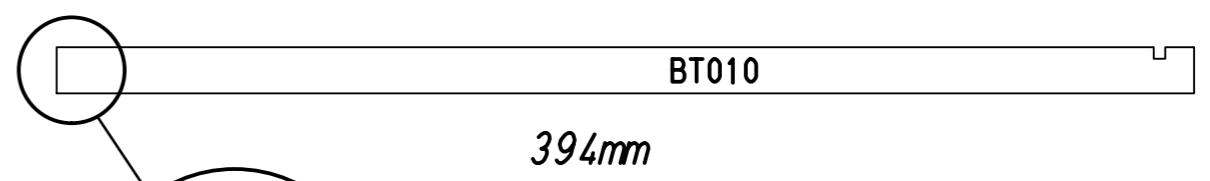
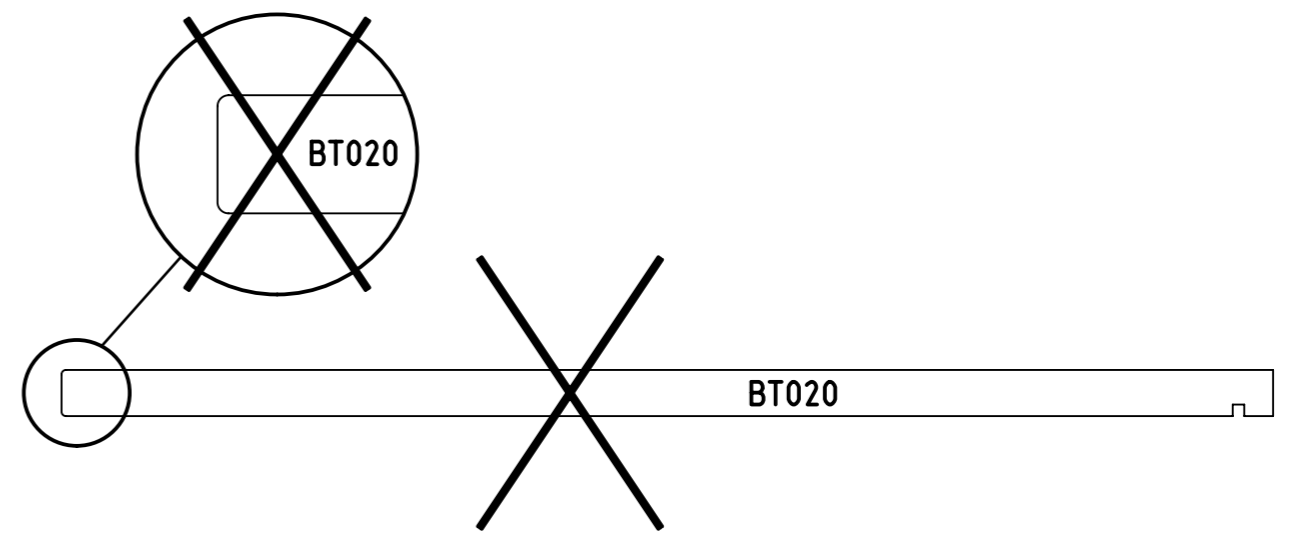
SK040 = SK050



Xmm = Xmm



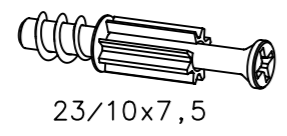
4



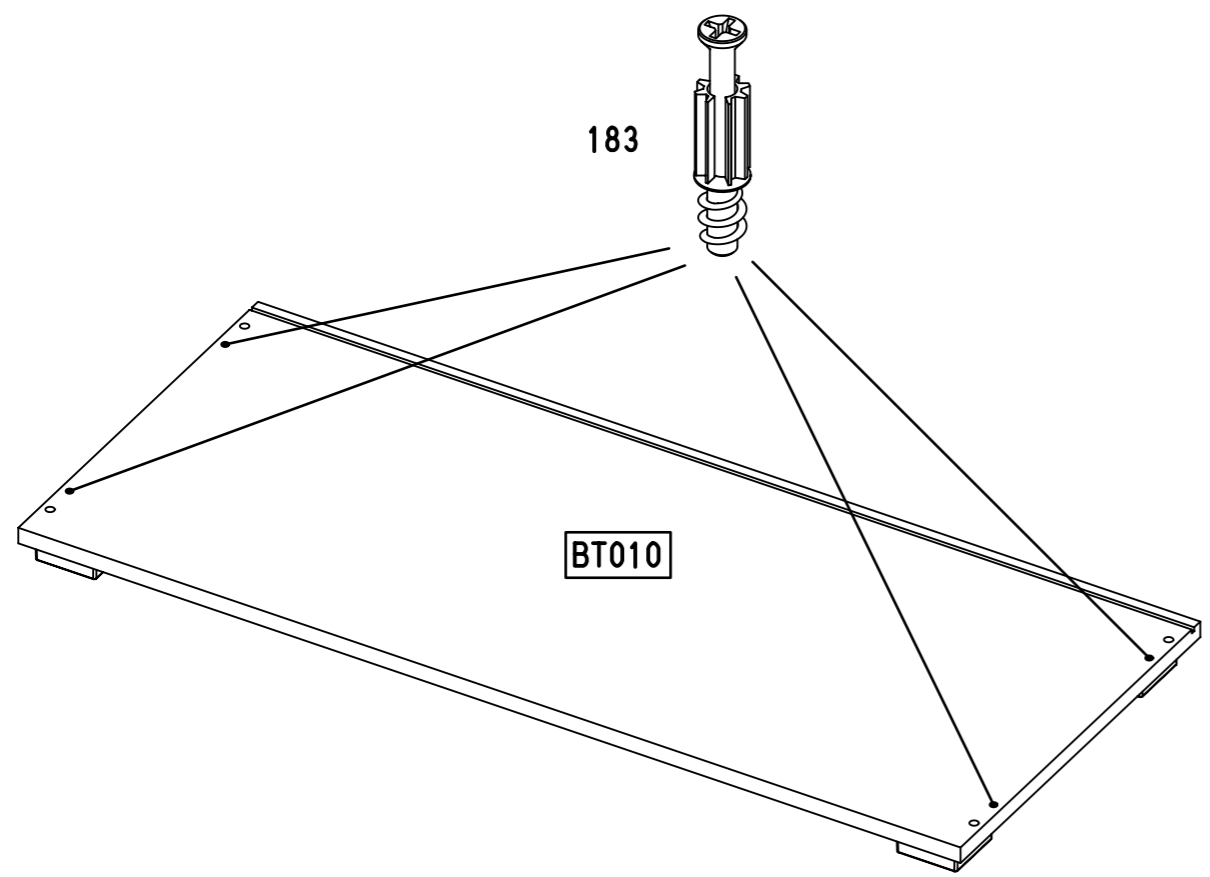
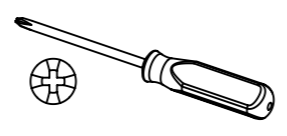
9.

5

4x 183



23/10x7,5

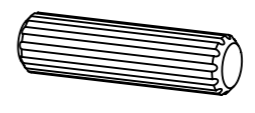


BT010

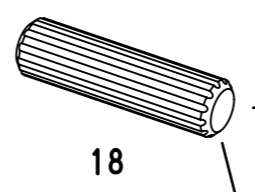
10.

6

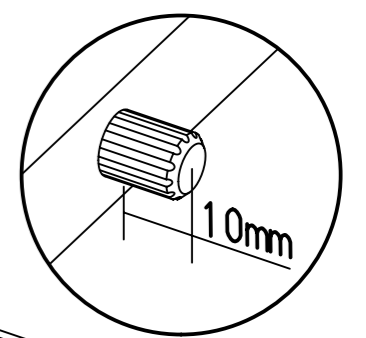
8x 18



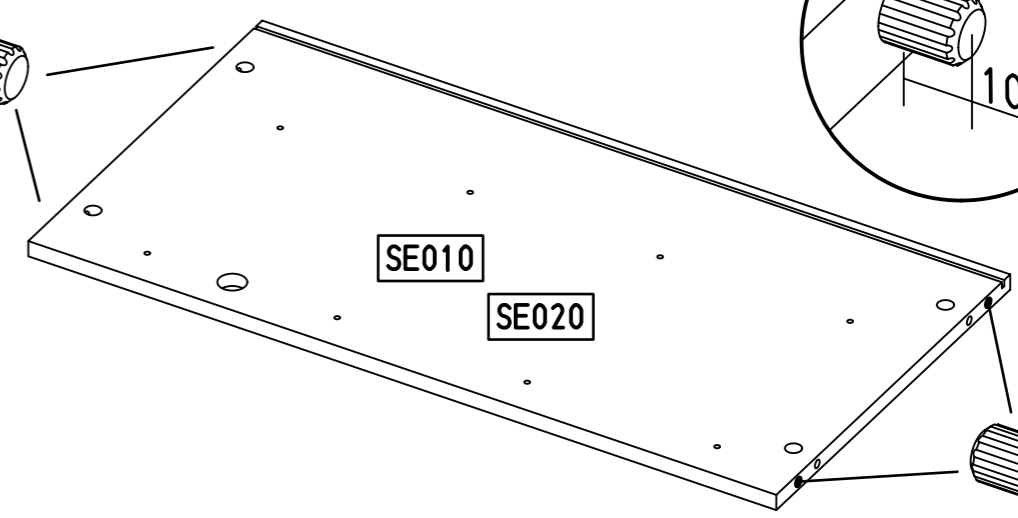
8x30



18



10mm



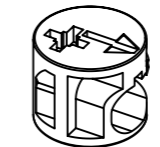
SE010

SE020

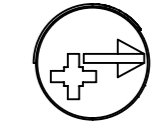
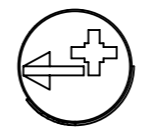
18

7

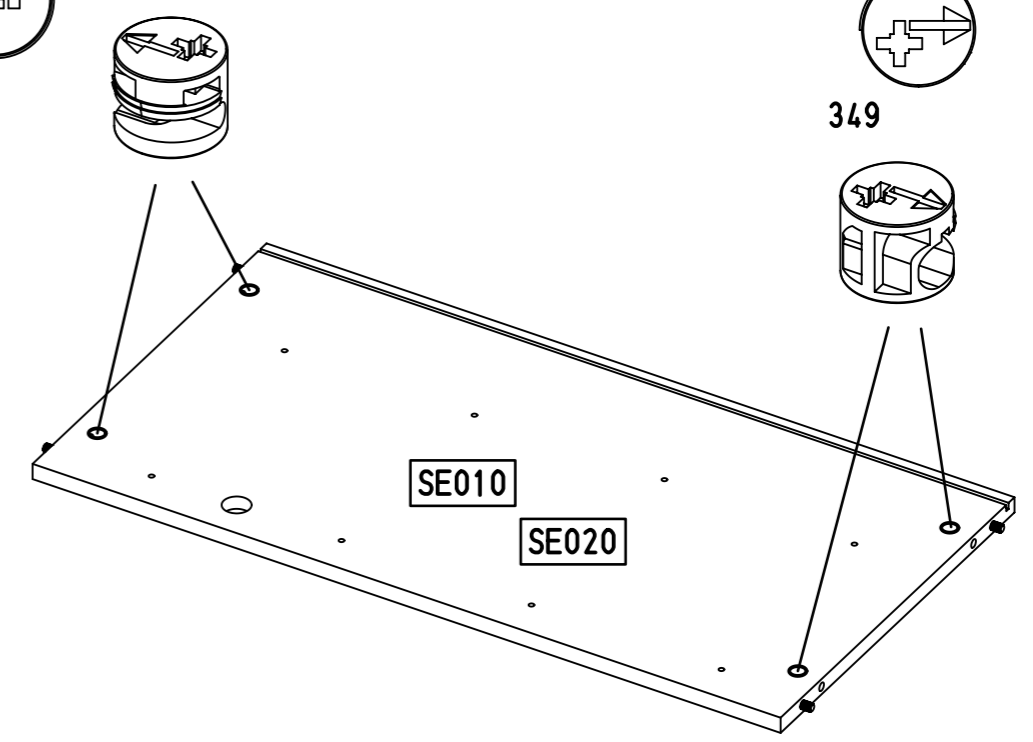
8x 349



349



349



SE010

SE020

11.

8

1x 251

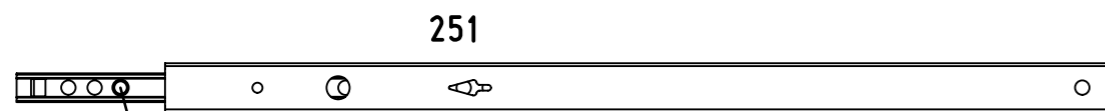
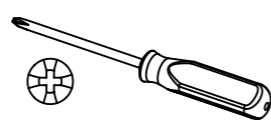


328x17x9,5

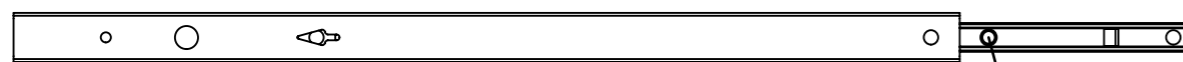
2x 227



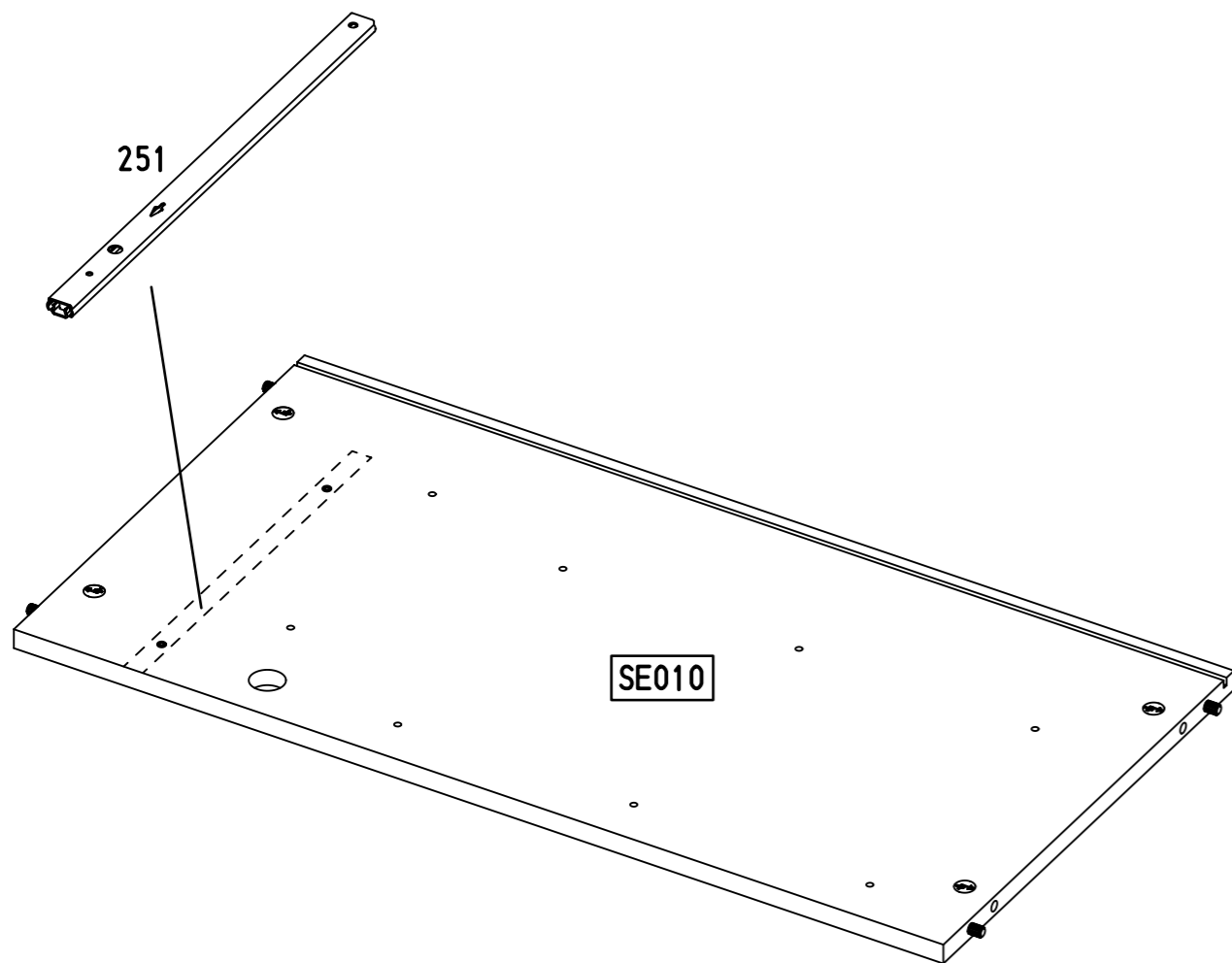
6x10,5



1.



2.



SE010

12.

9

3x 259

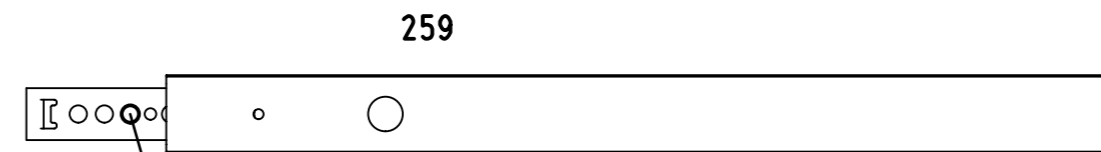
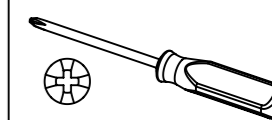


342x27x9,5

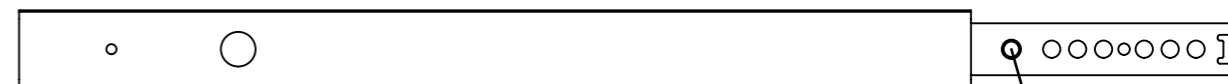
6x 227



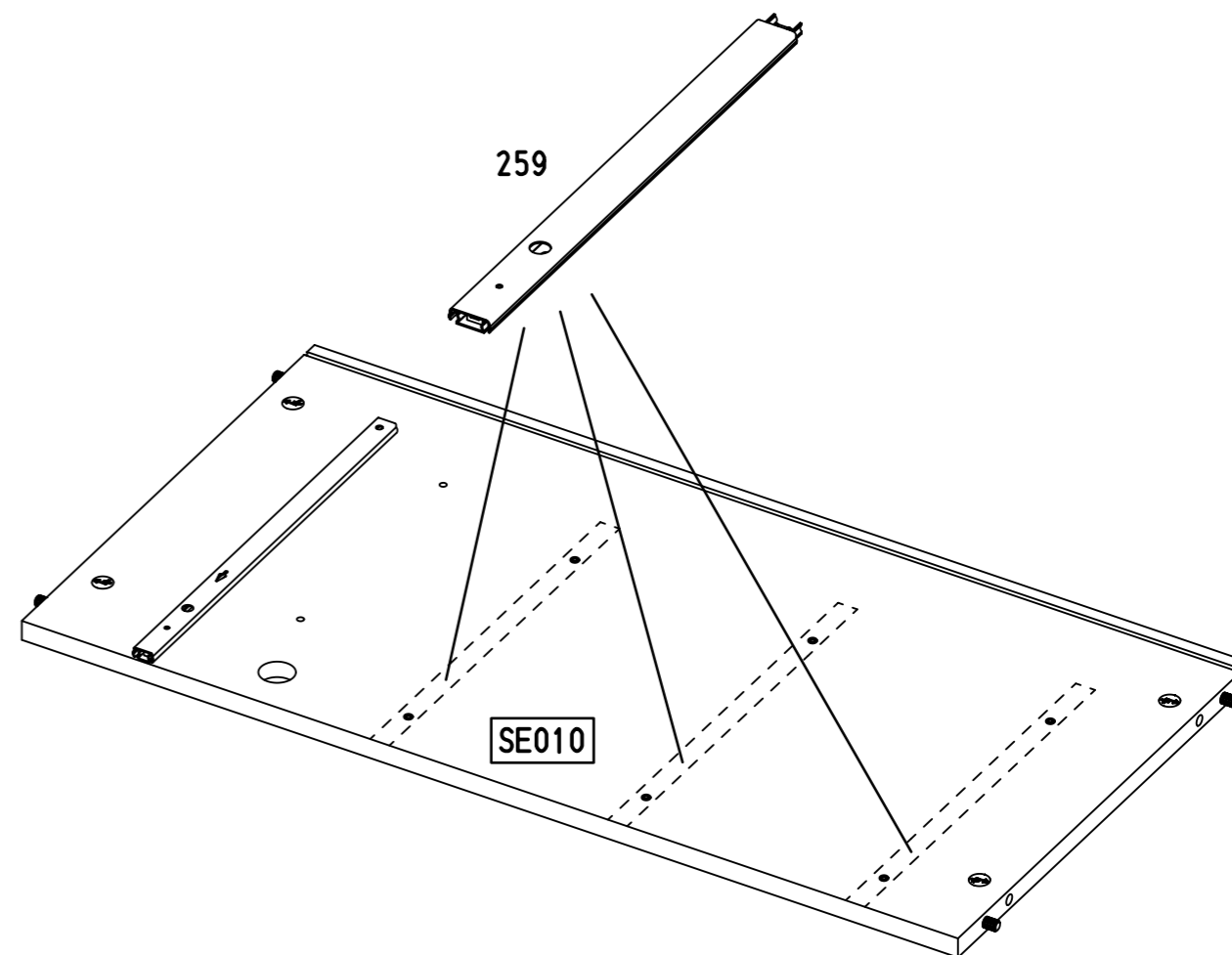
6x10,5



1.



2.



SE010

13.

10

1x 251

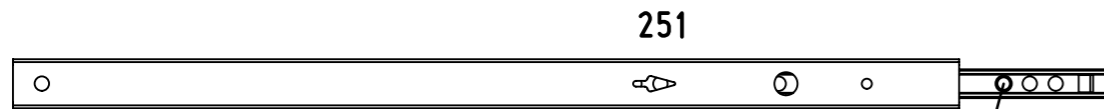
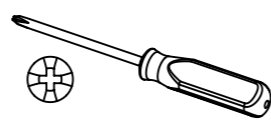


328x17x9,5

2x 227

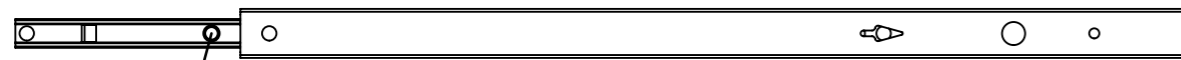


6x10,5

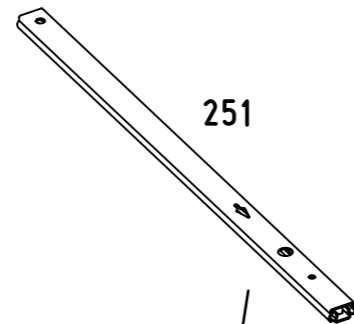


251

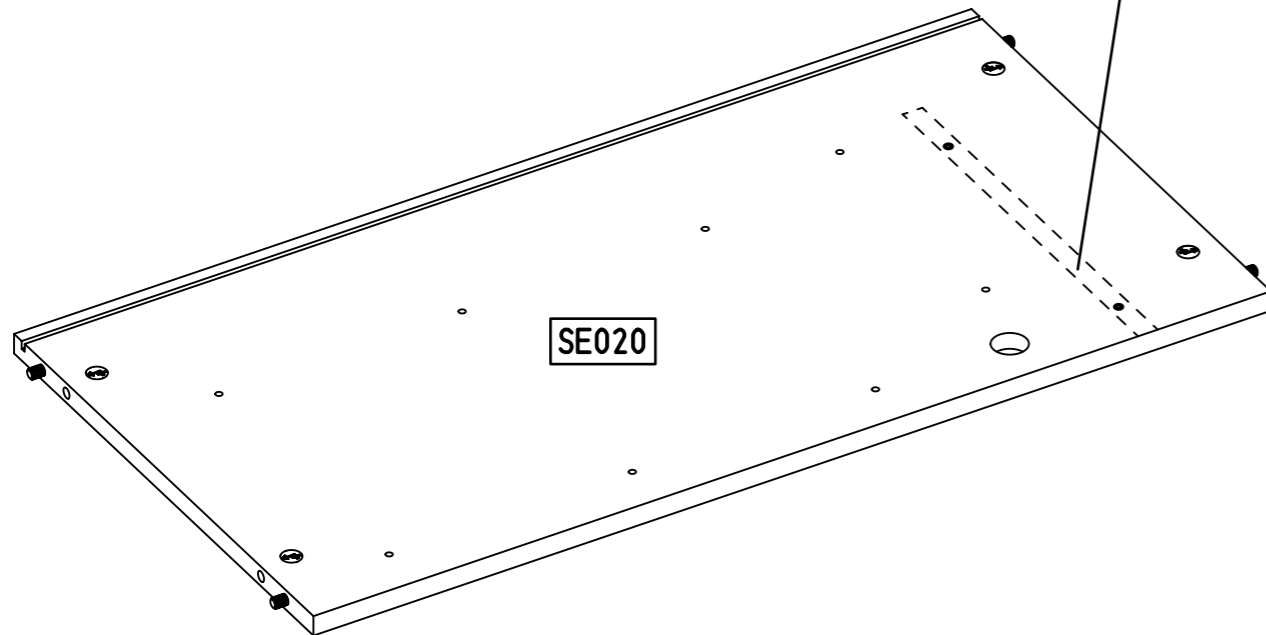
227 1.



2. 227



251



SE020

14.

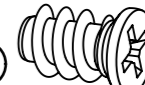
11

3x 259

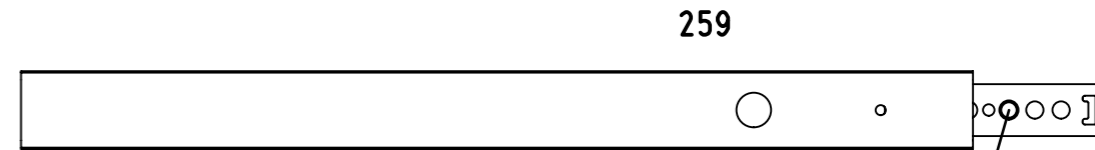
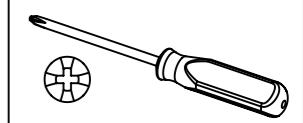


342x27x9,5

6x 227



6x10,5

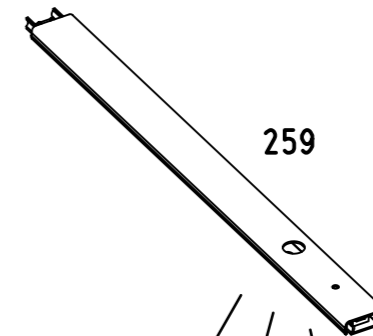


259

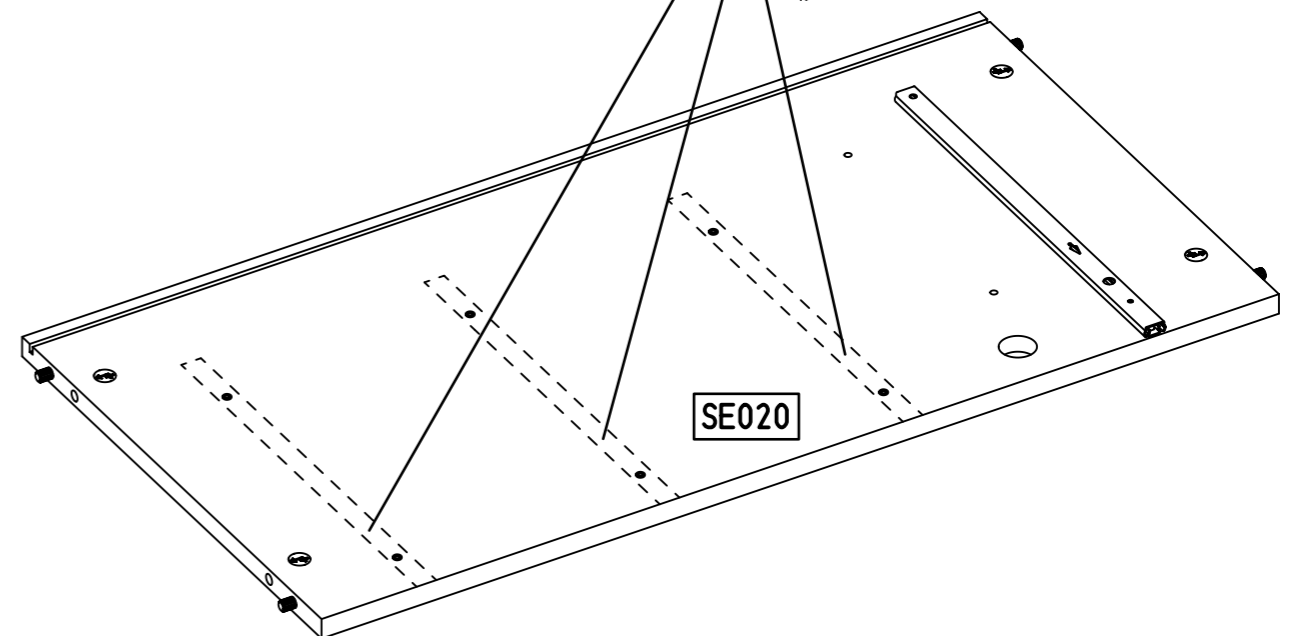
227 1.



2. 227

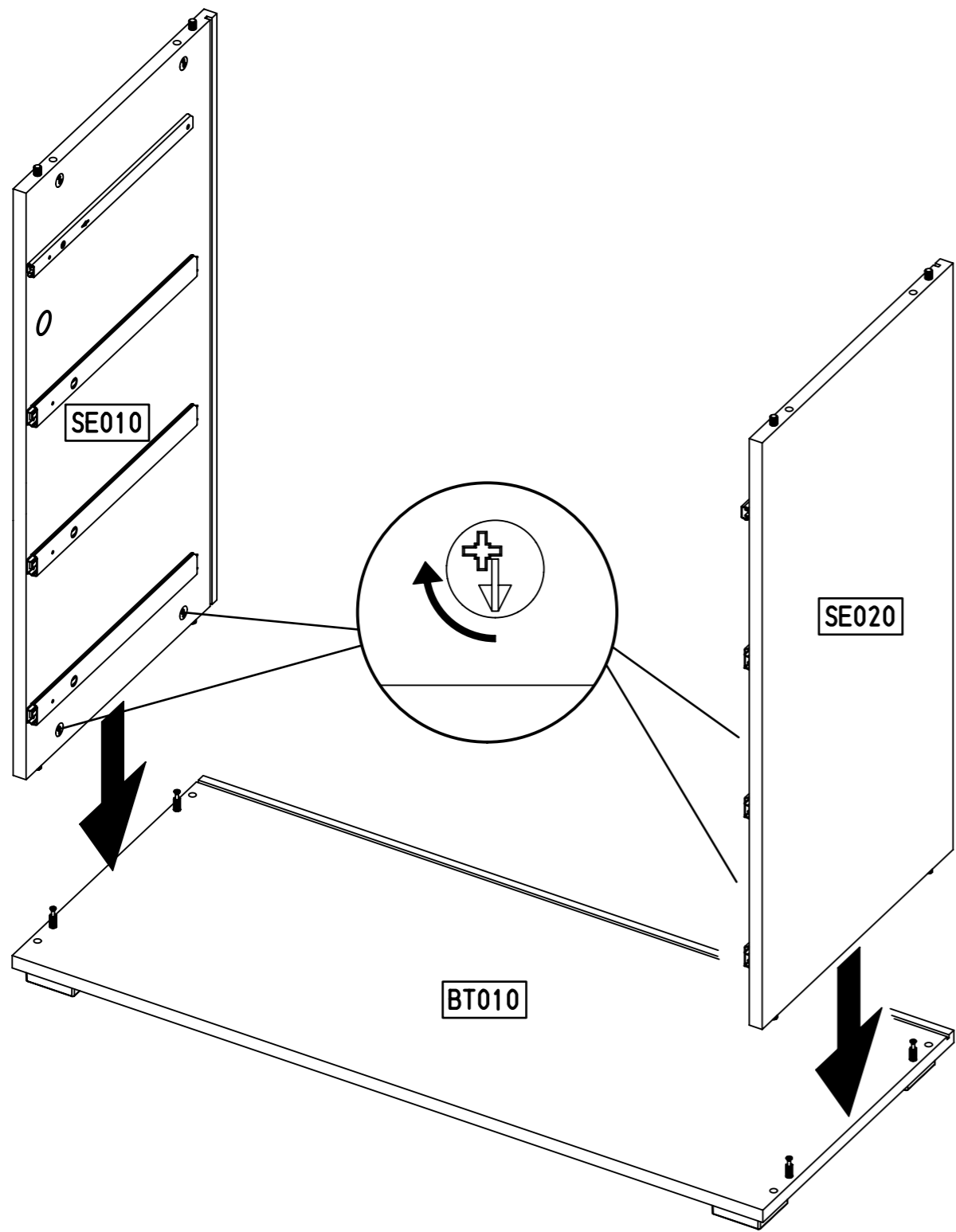
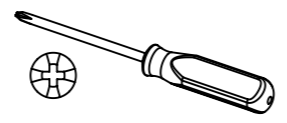


259

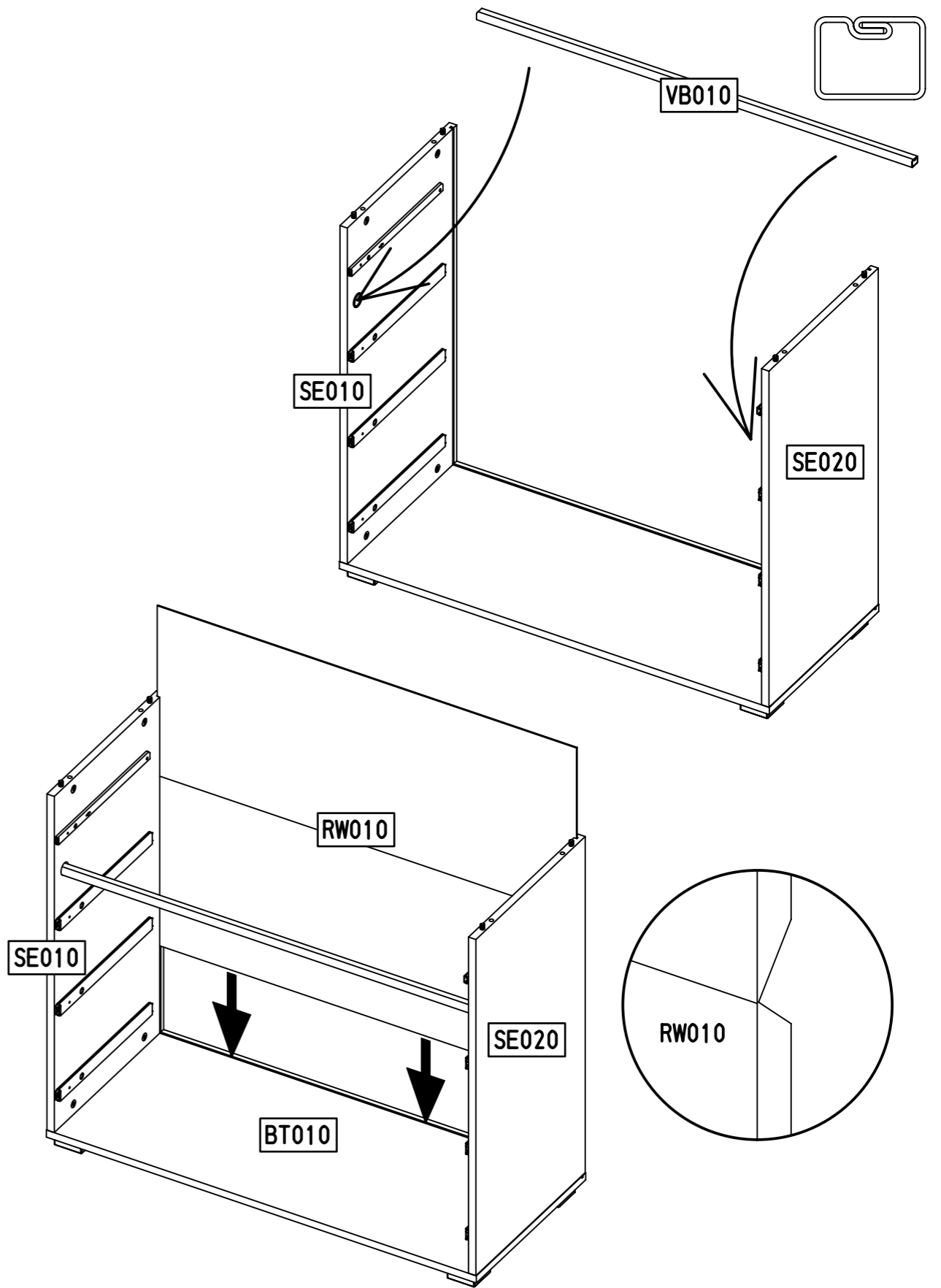


SE020

12



13

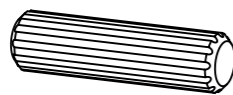




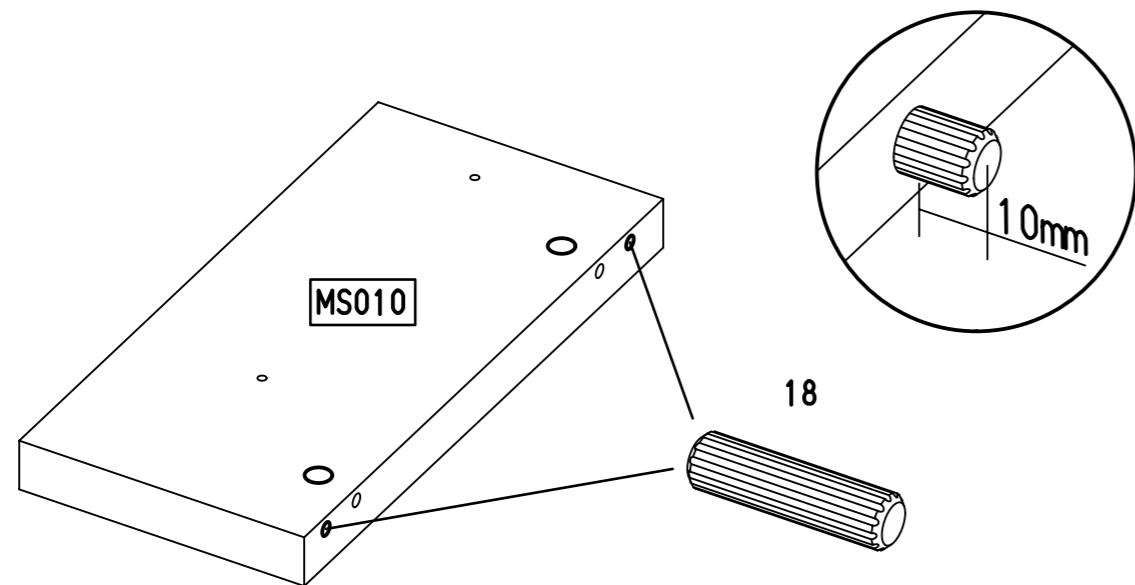
17.

14

2x 18

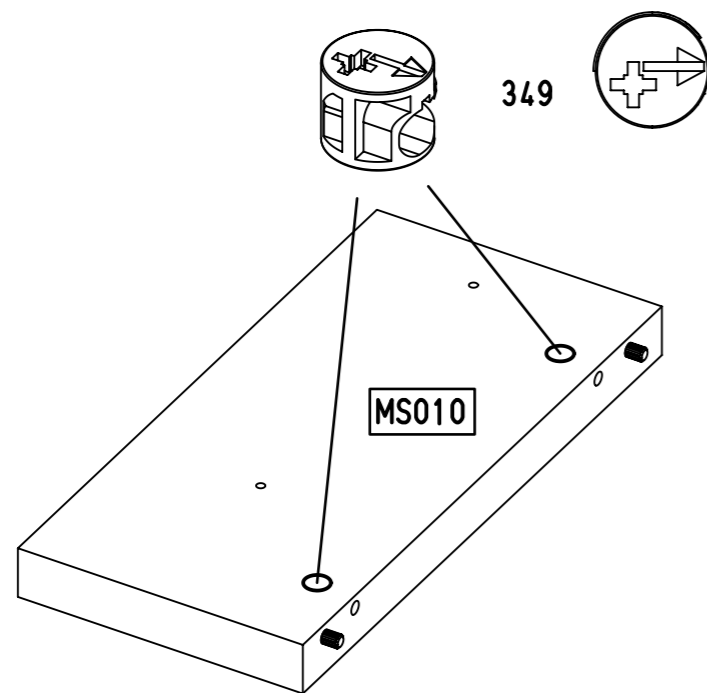
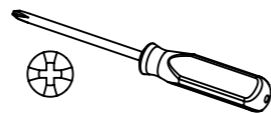
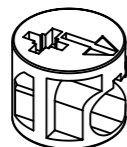


8x30



15

2x 349



M2109

18.

16

2x 251

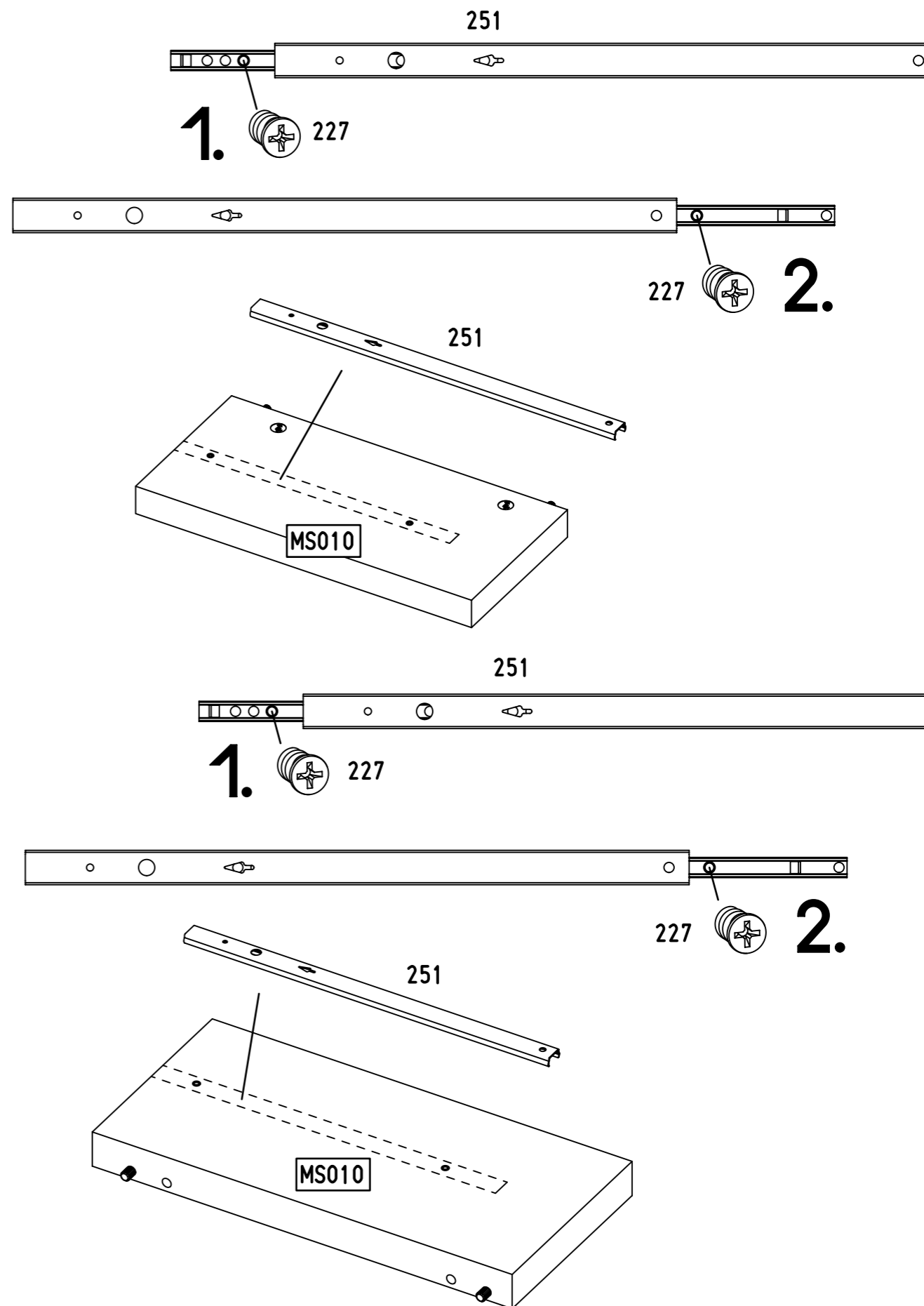
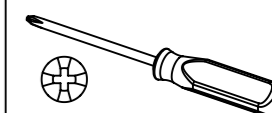


328x17x9,5

4x 227



6x10,5

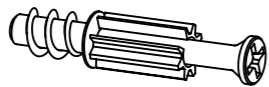


M2109

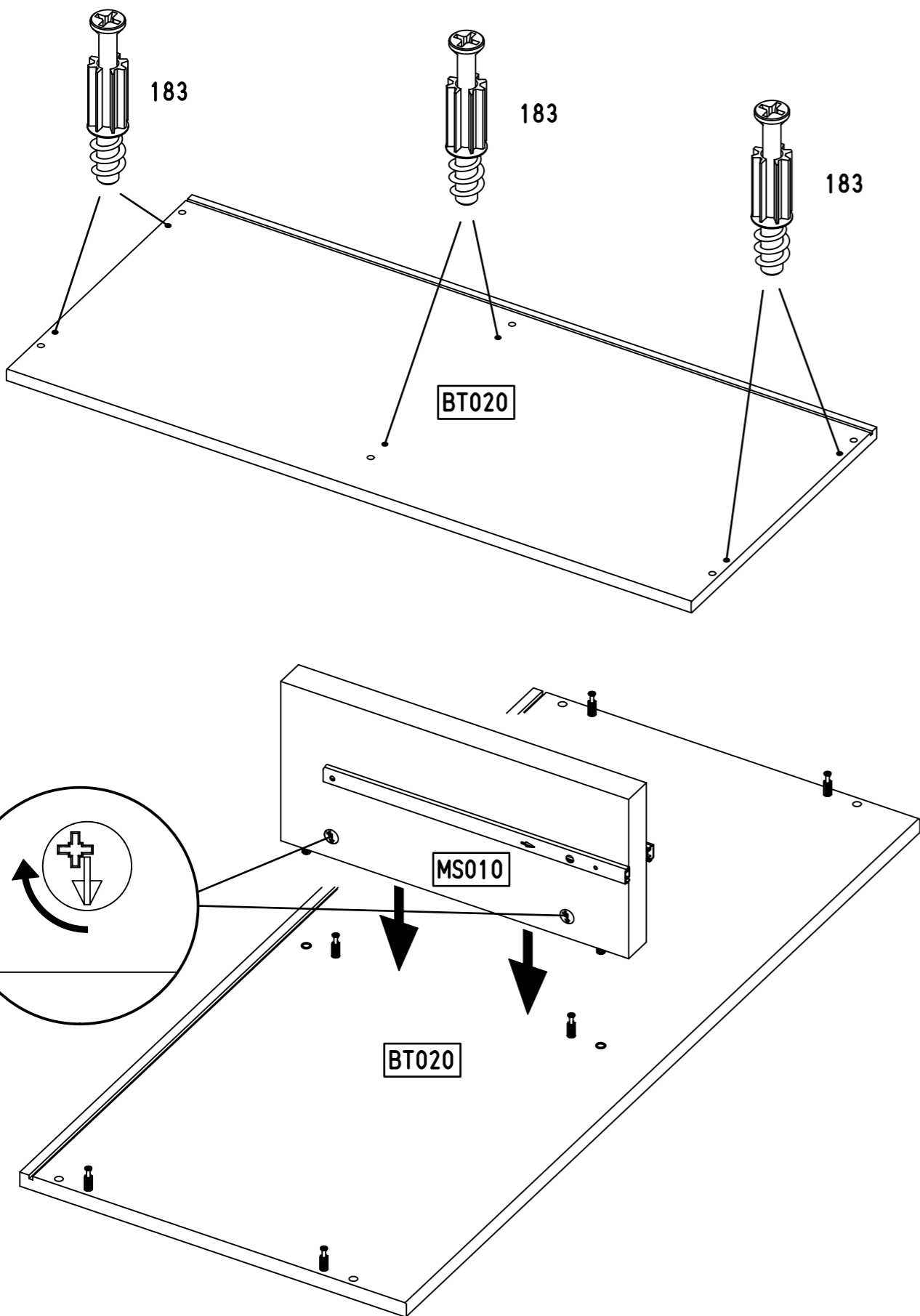
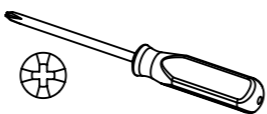
17

6x

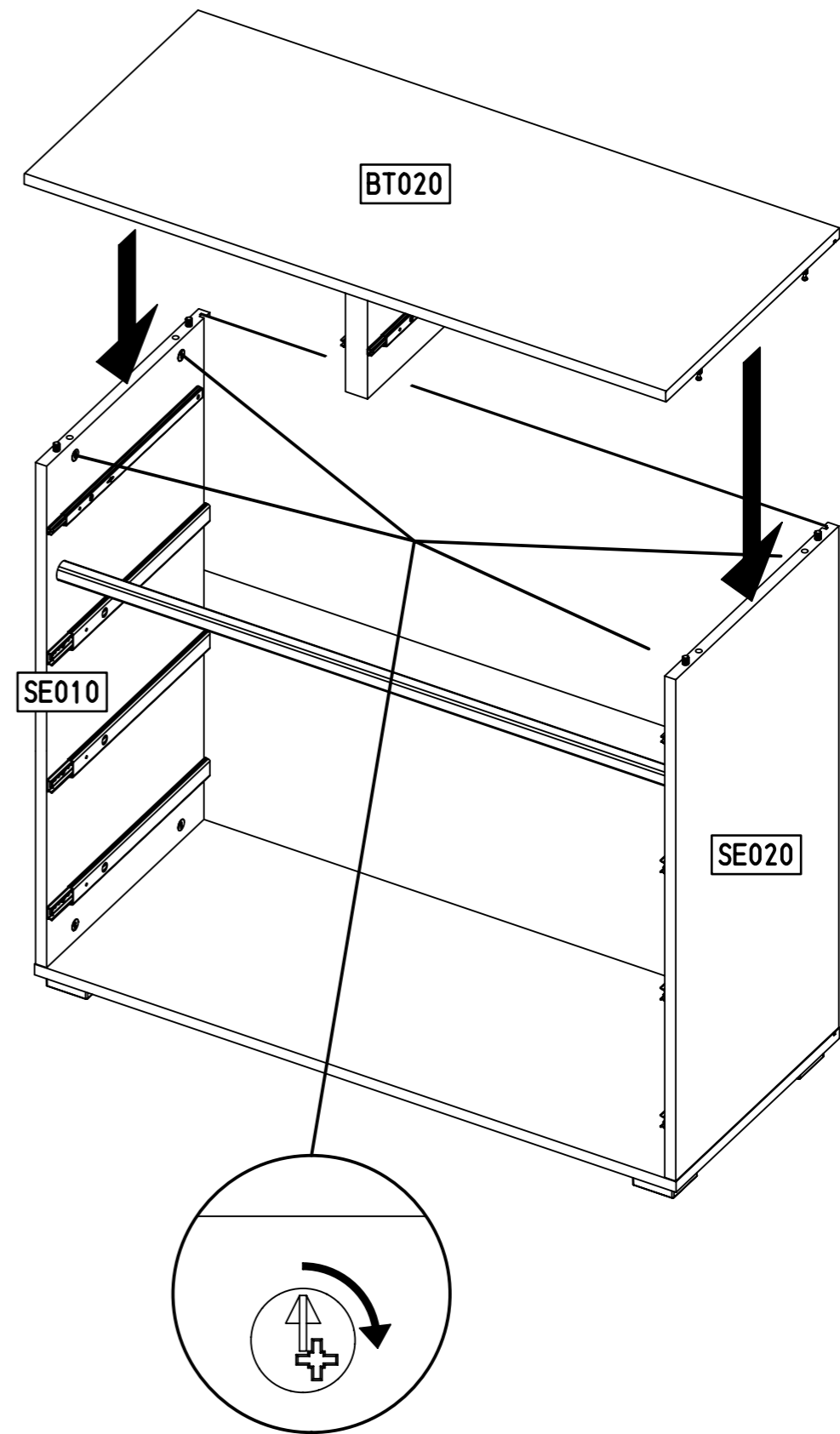
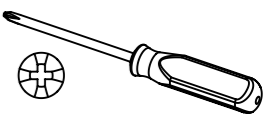
183



23/10x7,5

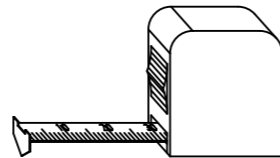
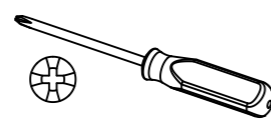
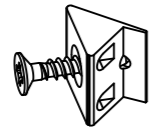


18

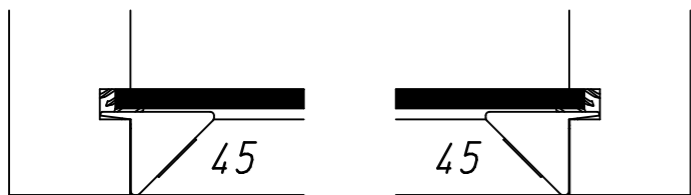
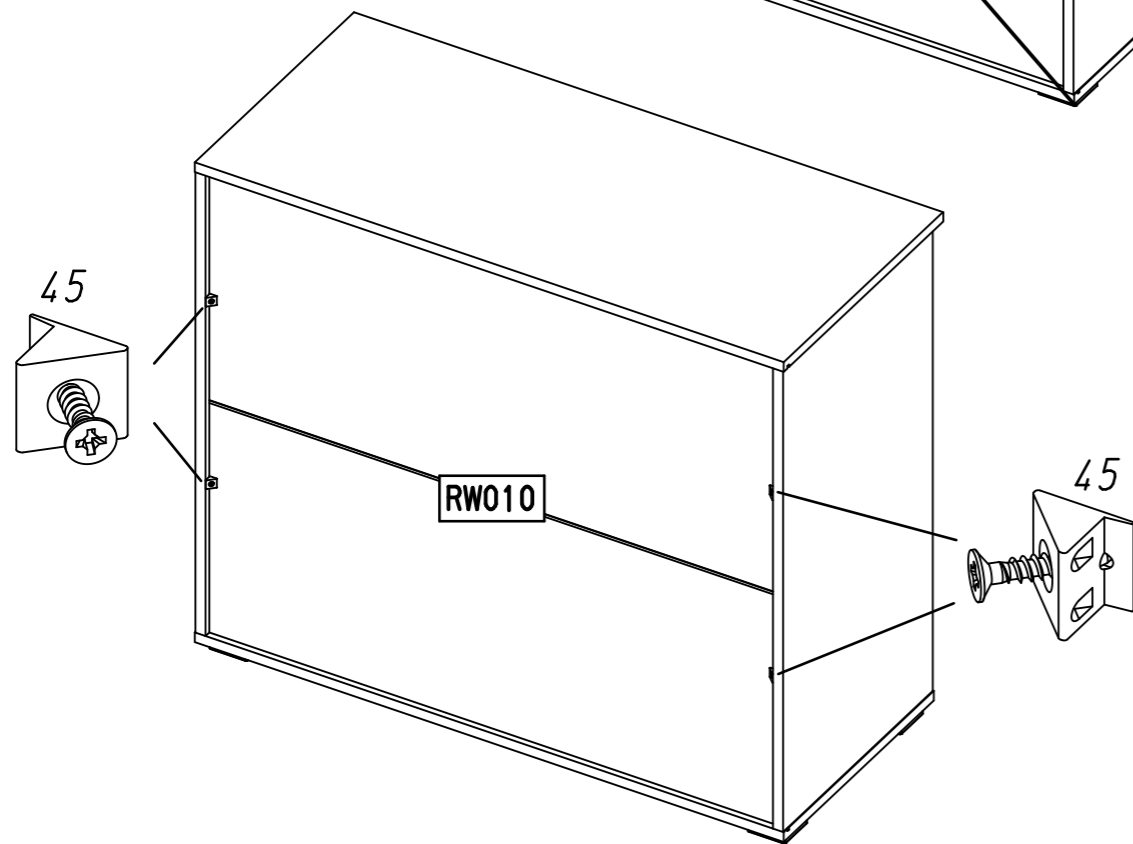
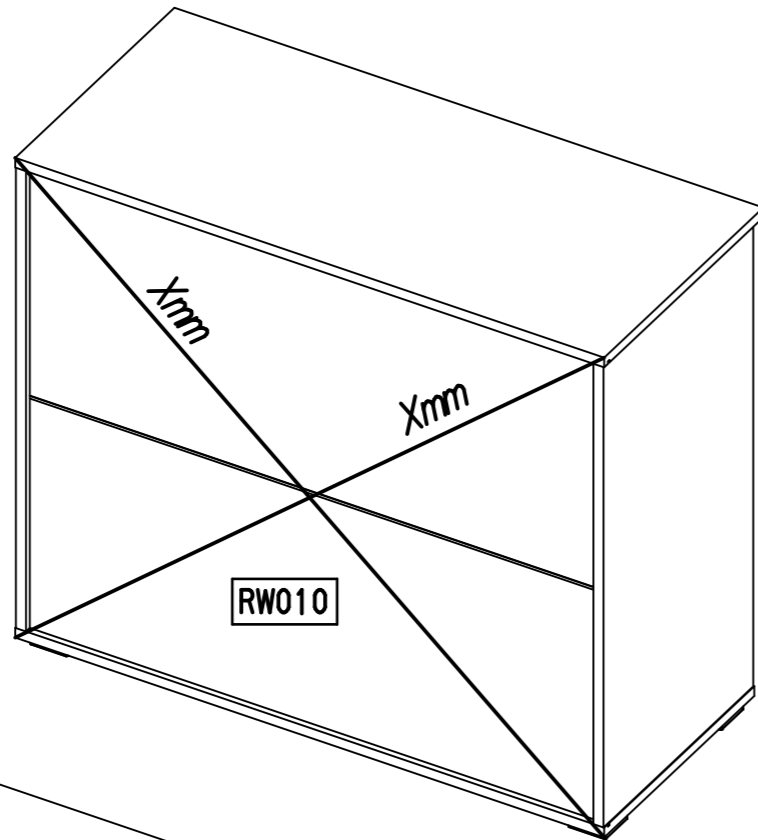
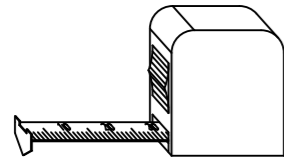


19

2x 45

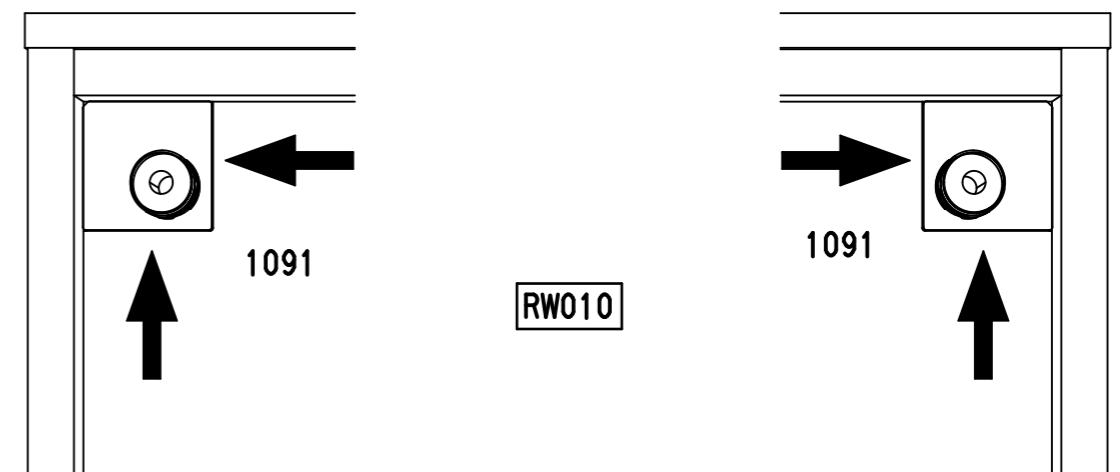
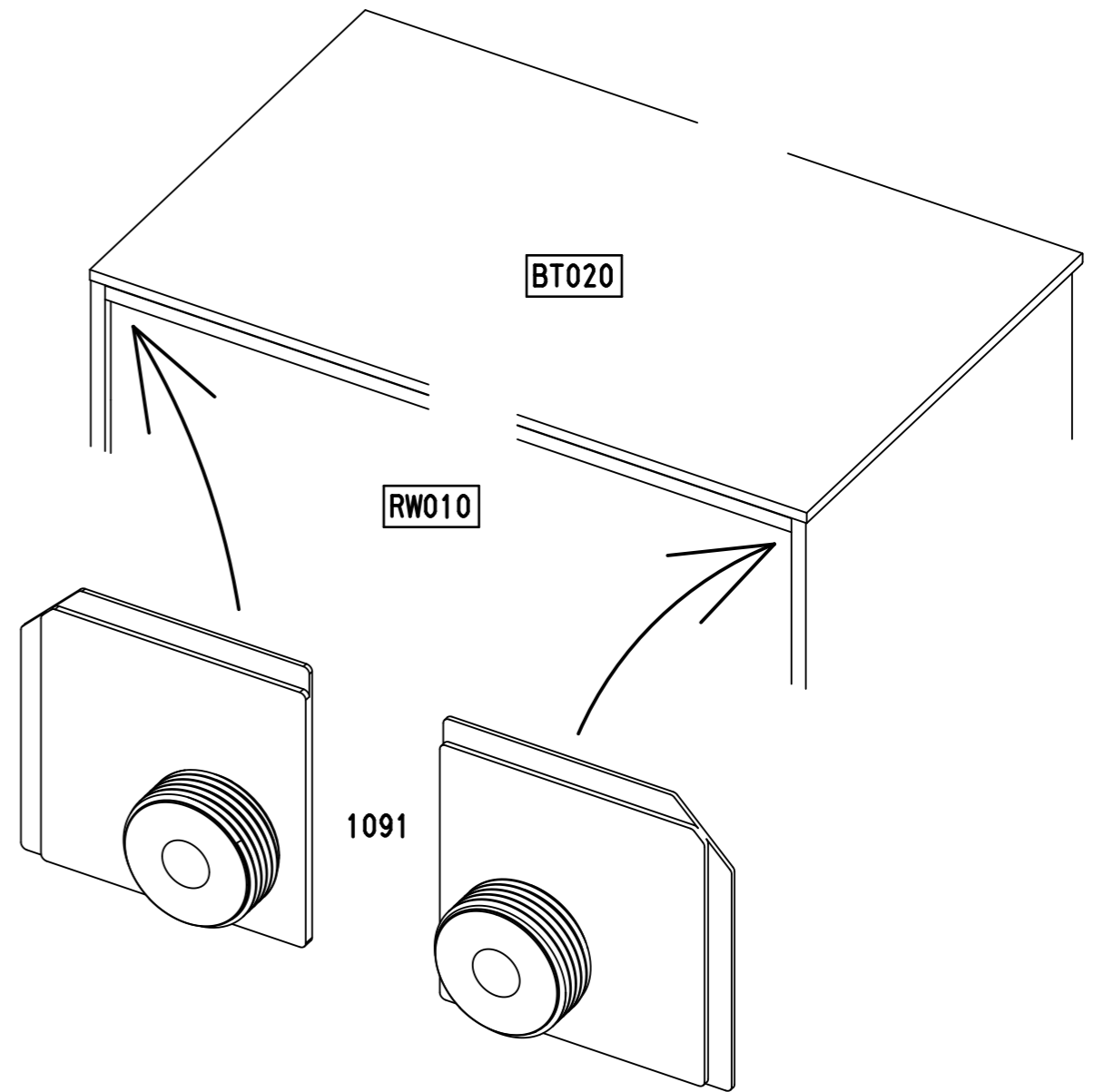
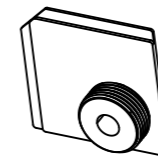


$Xmm = Xmm$



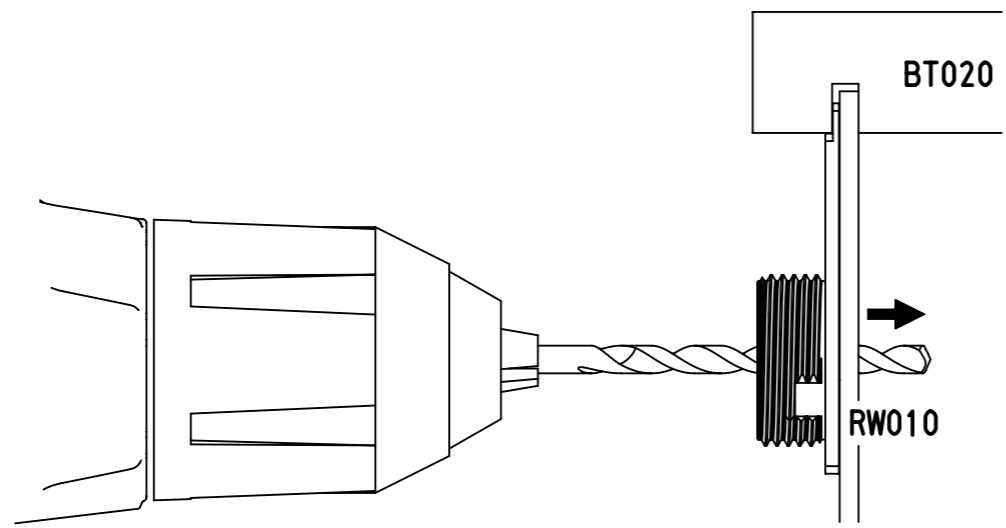
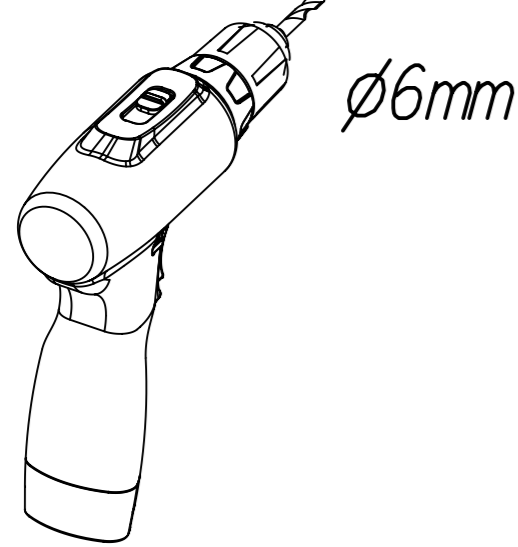
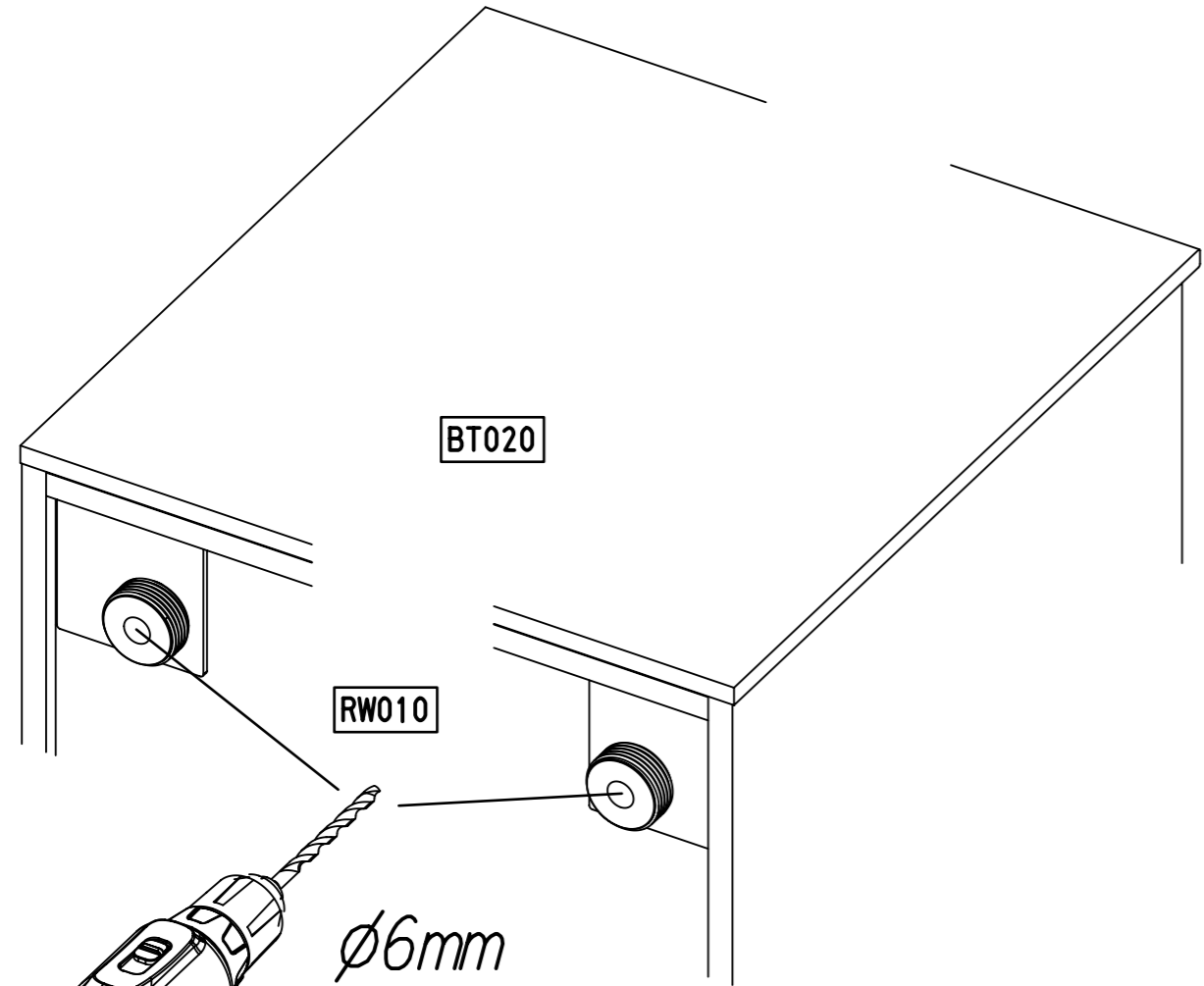
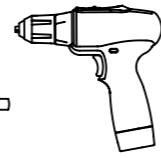
20

2x 1091

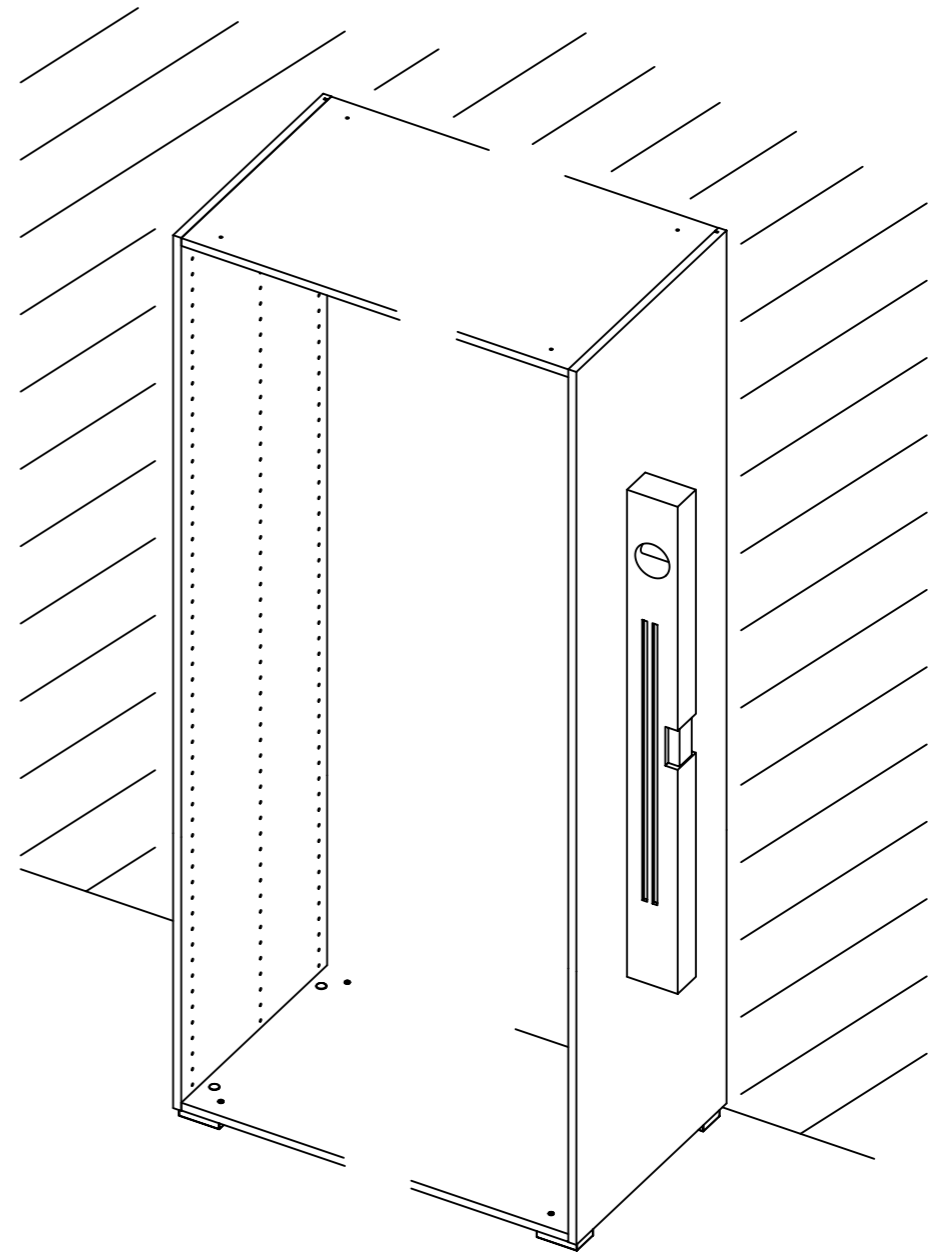
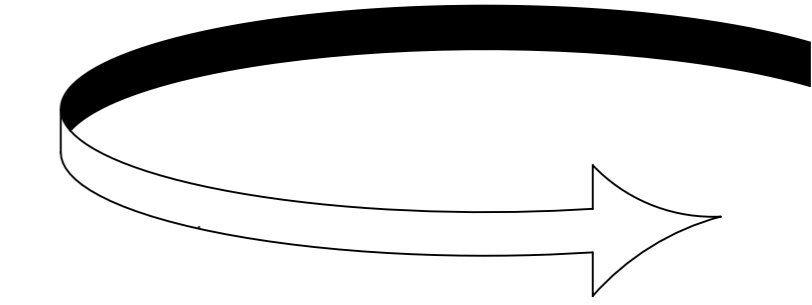
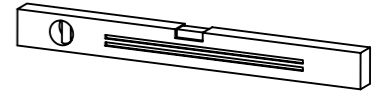


21

∅6mm

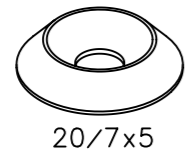


22



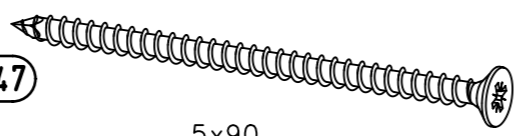
23

2x 1093

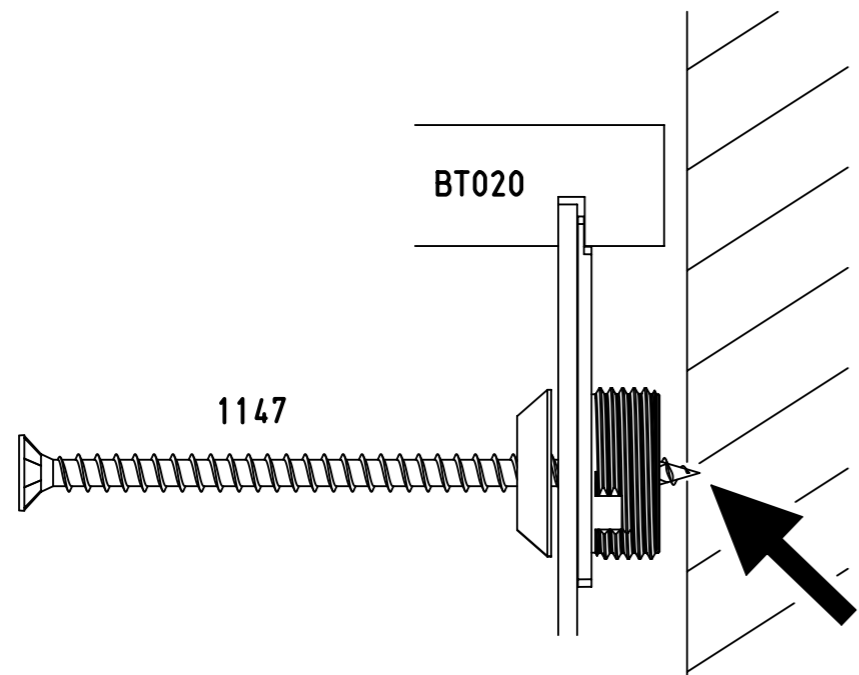
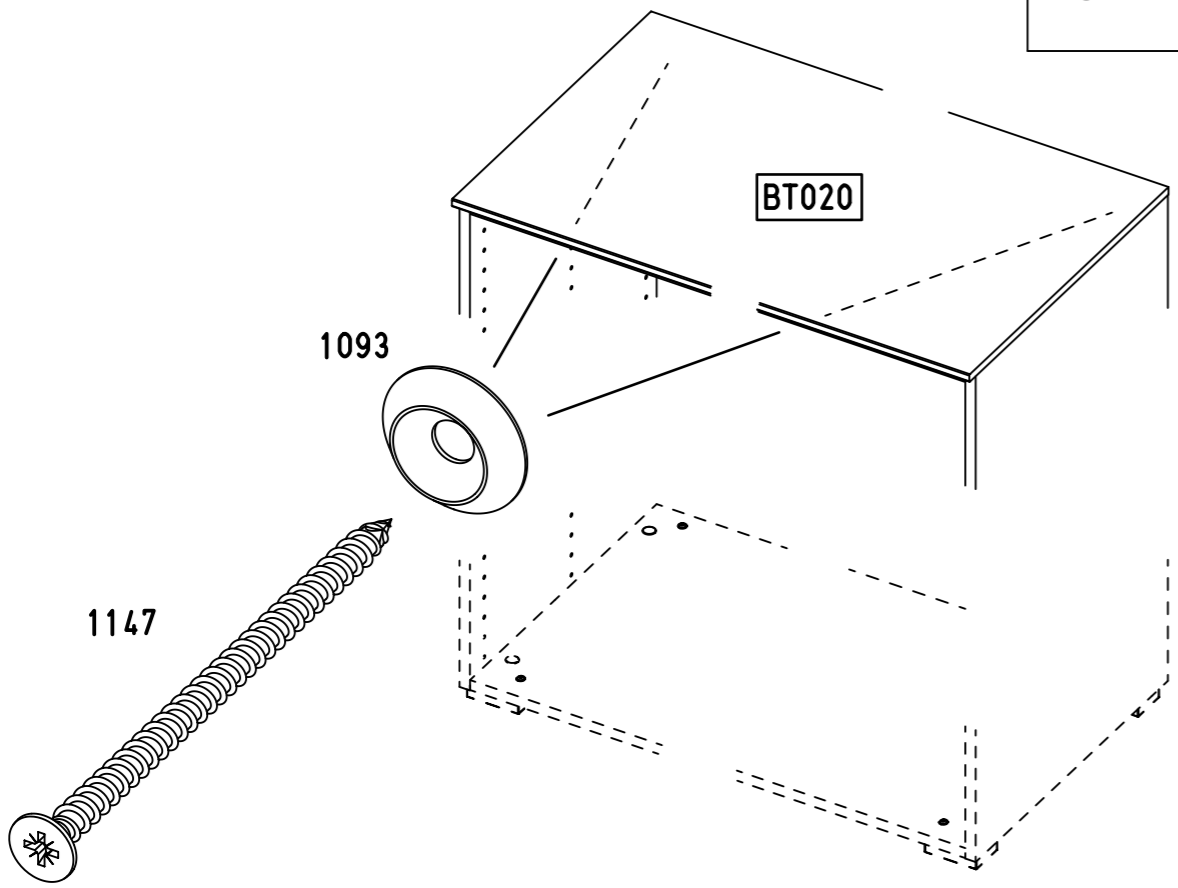
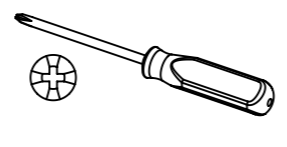


20/7x5

2x 1147

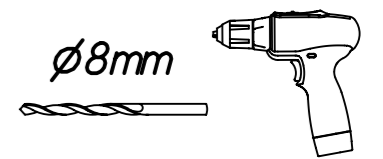


5x90

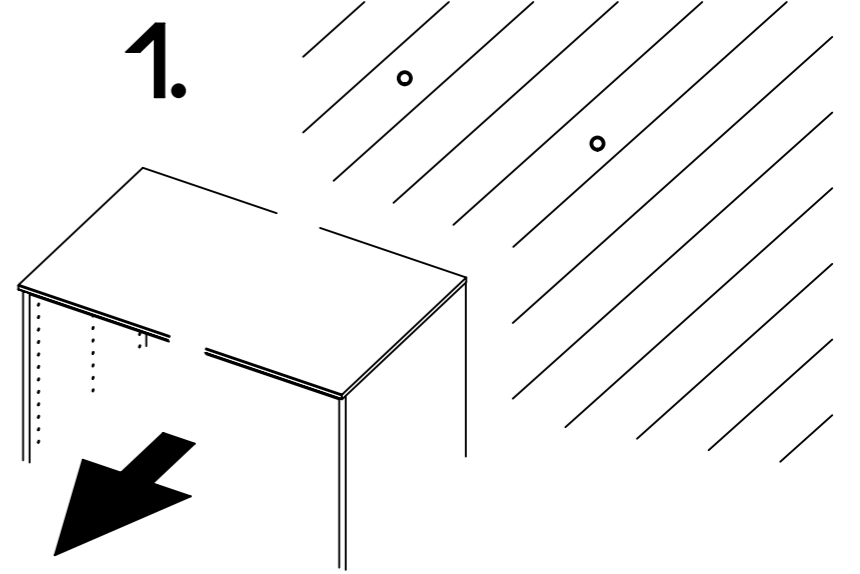


24

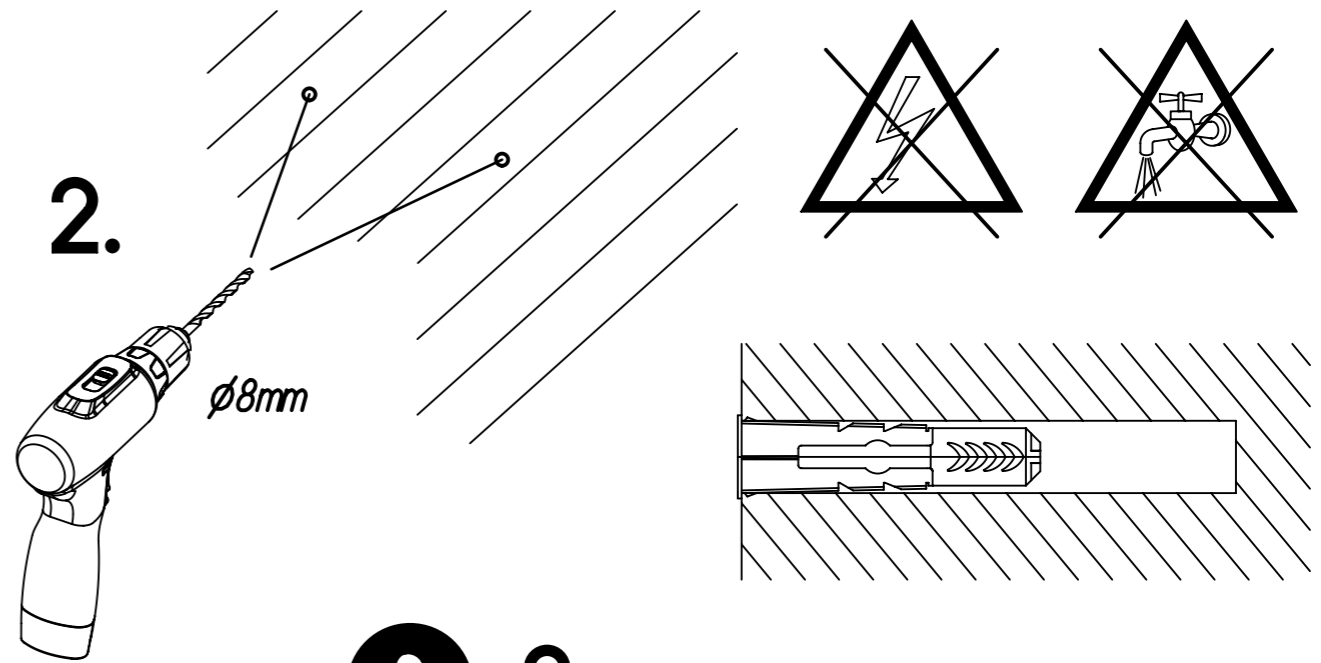
ø8mm



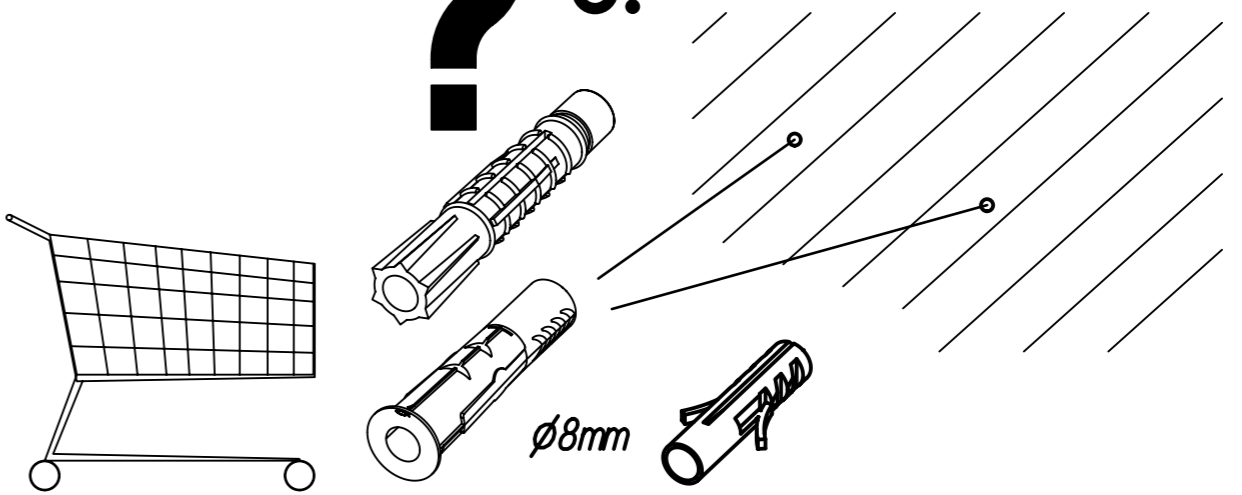
1.



2.

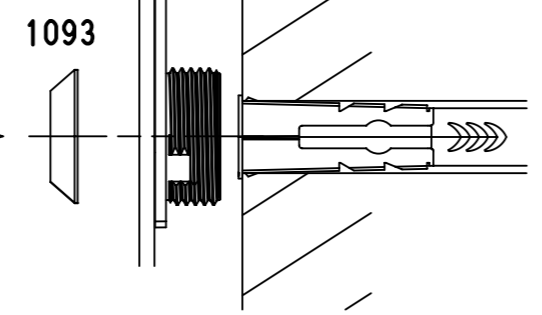
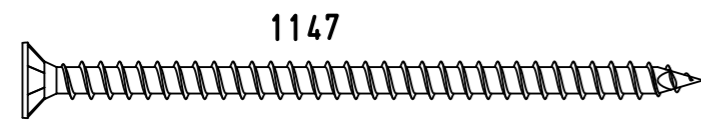
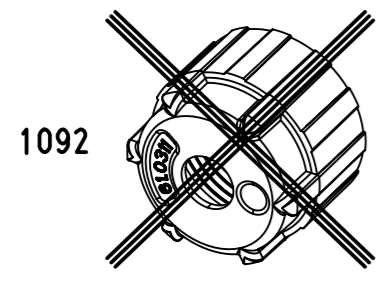
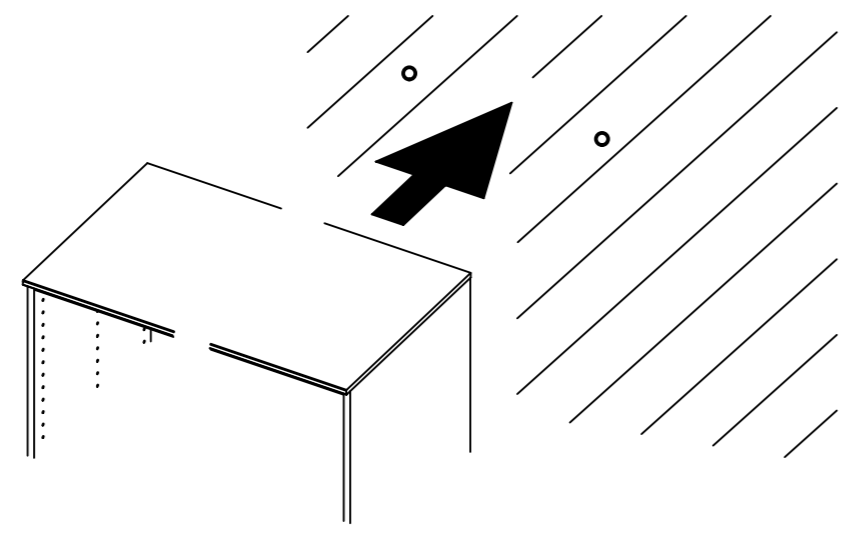
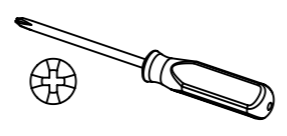
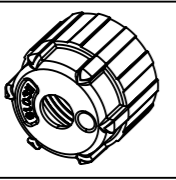


? 3.

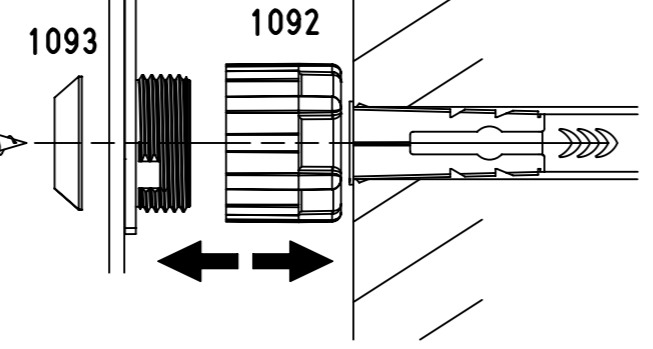
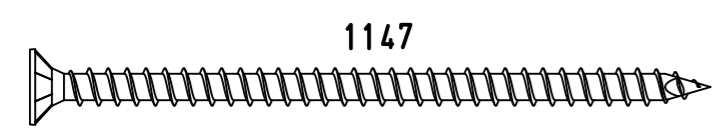


25

2x 1092

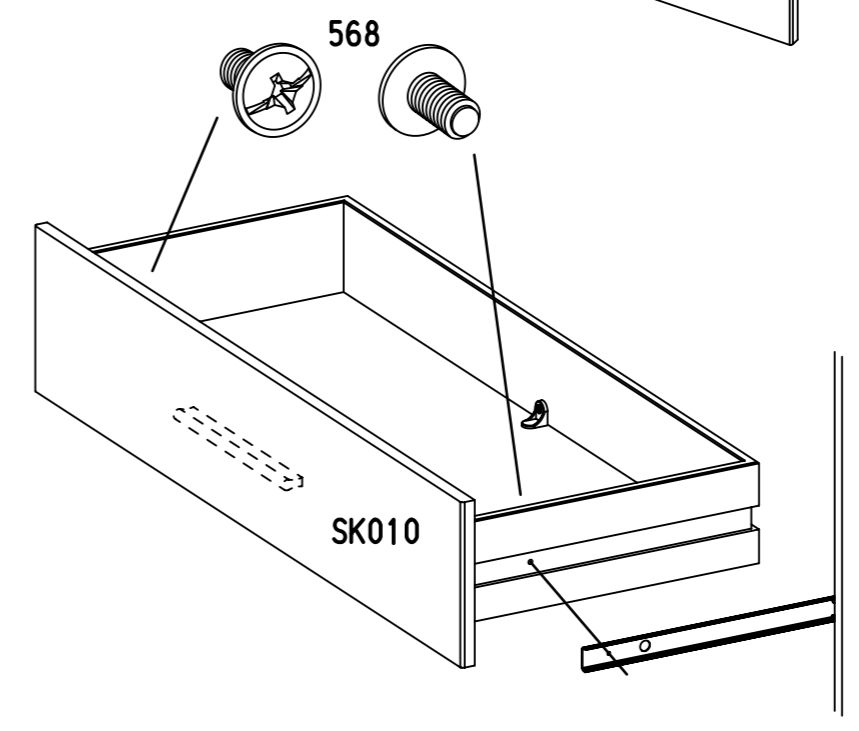
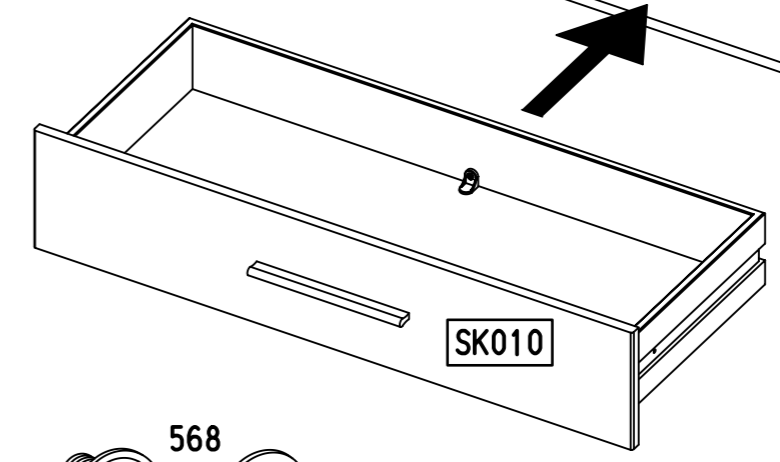
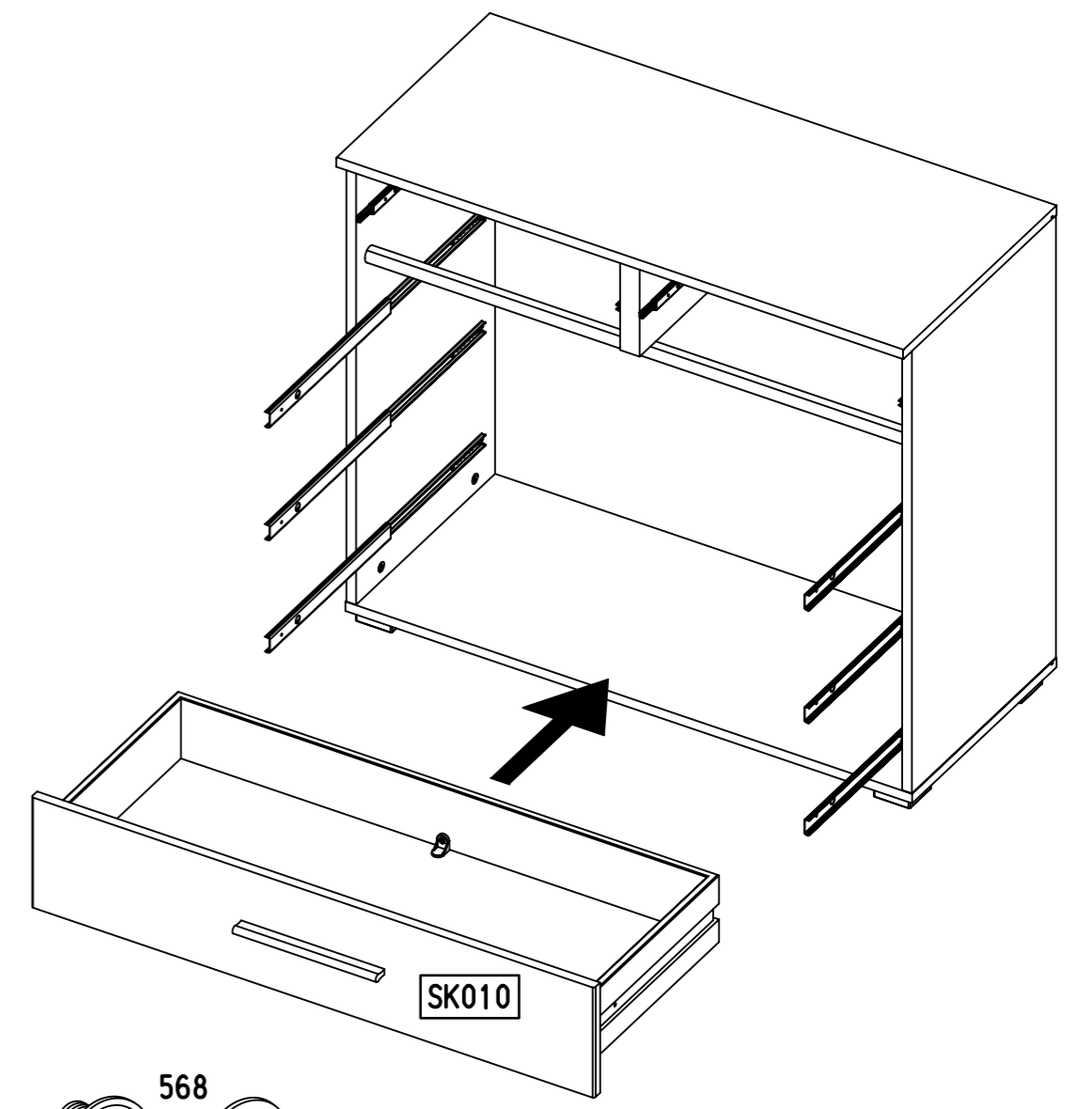
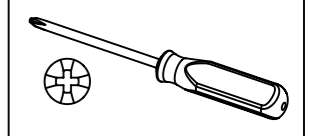


10-15mm



26

6x 568

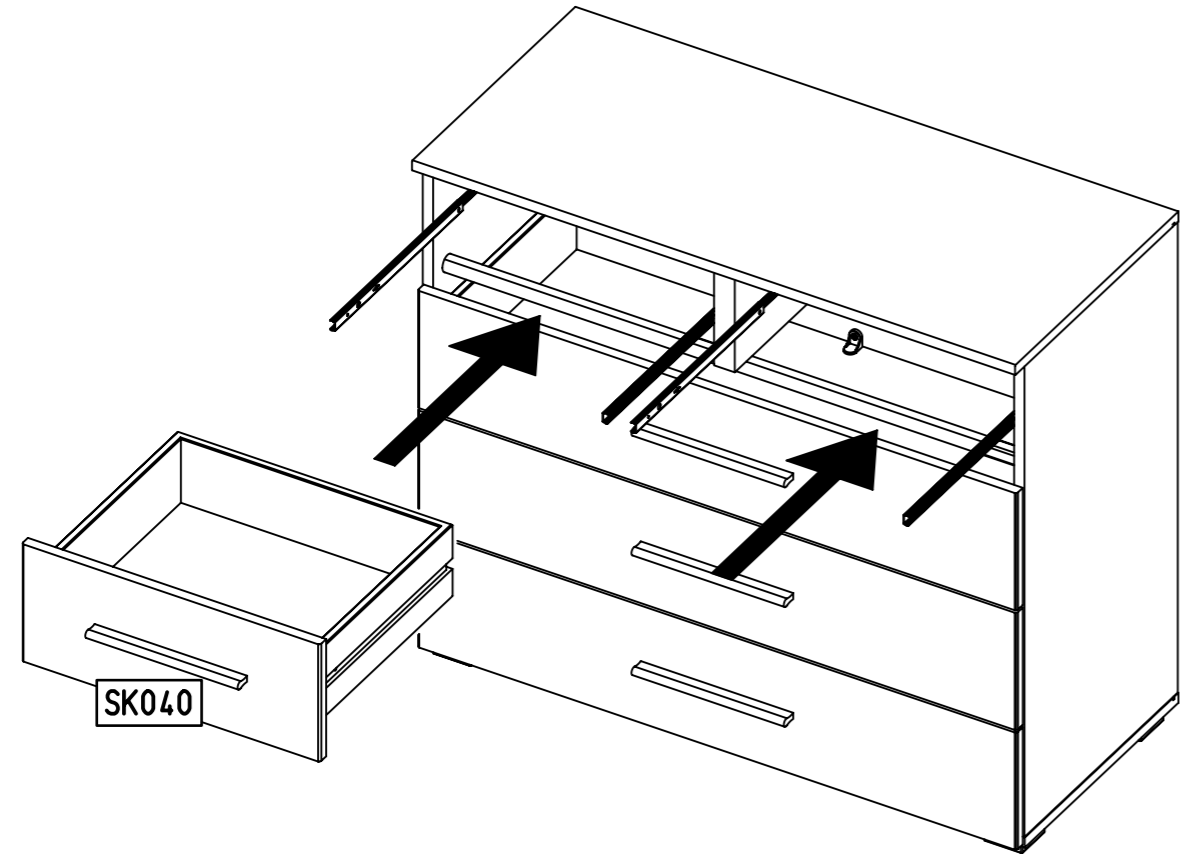
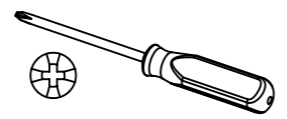


27

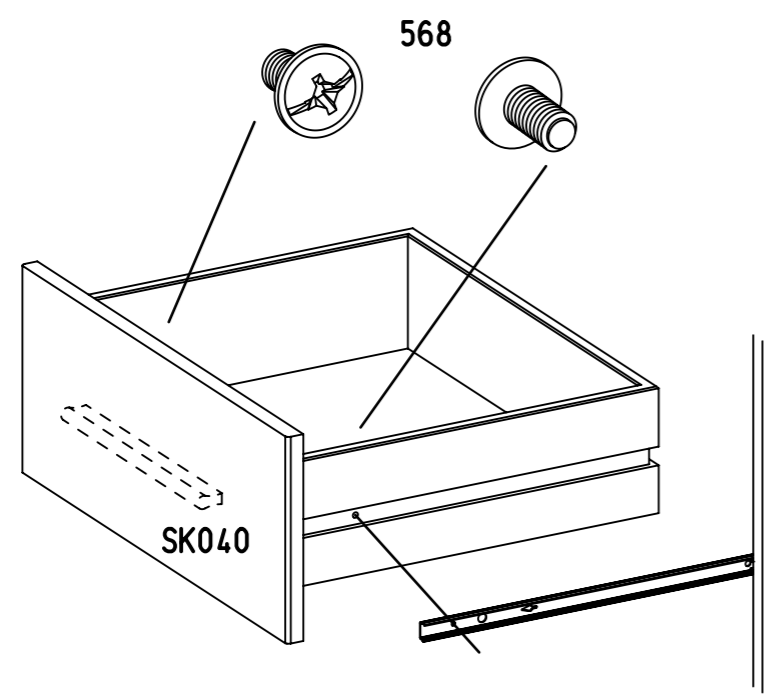
4x 568



M4x9



SK040



568

SK040