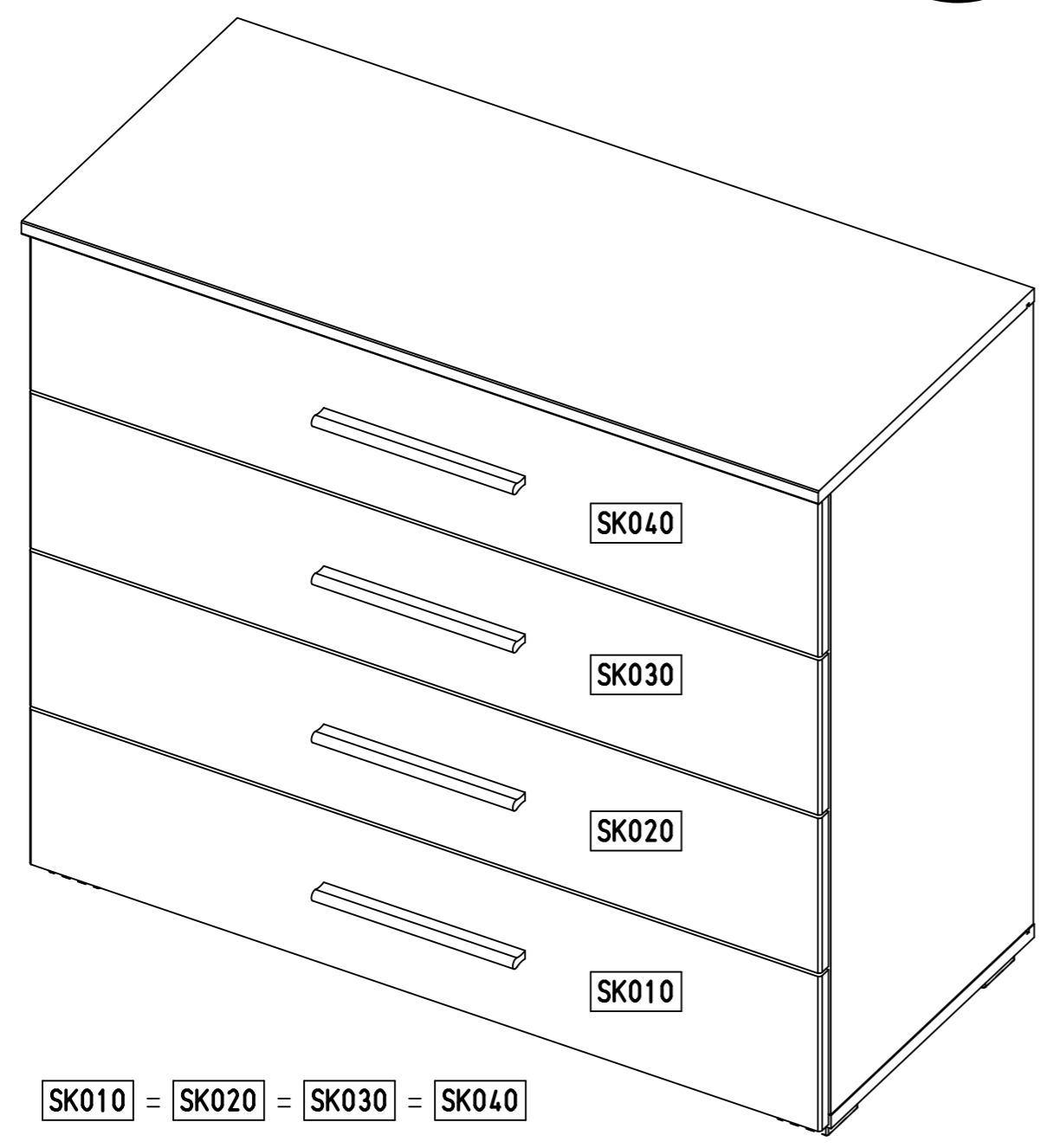
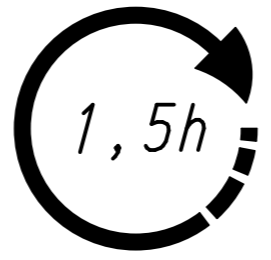
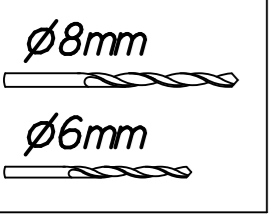
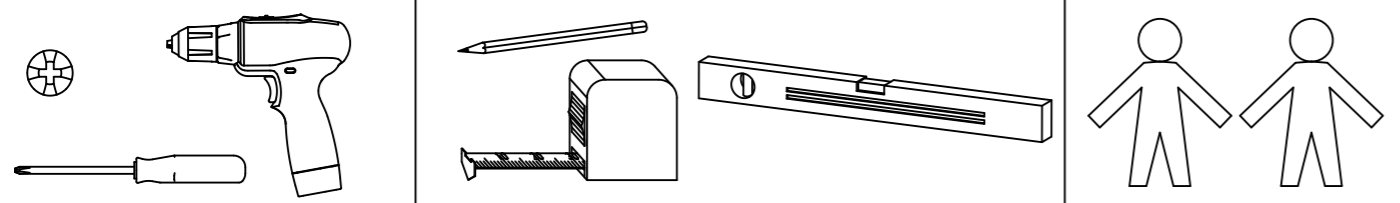


1.

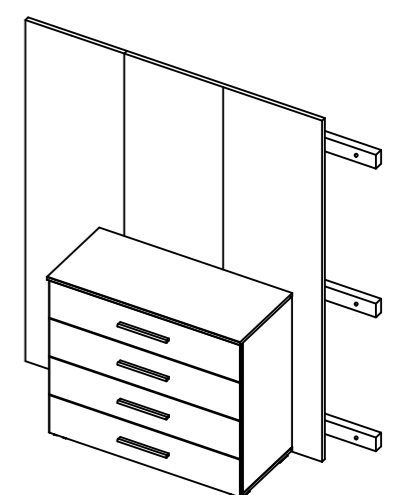
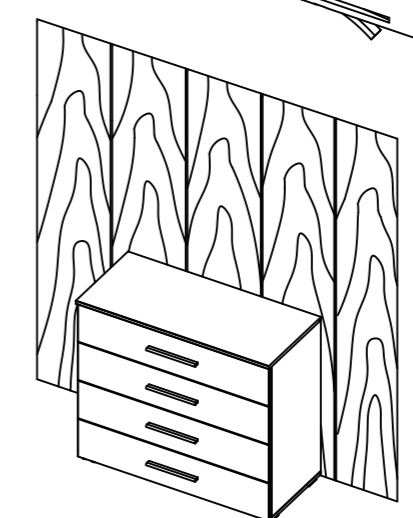
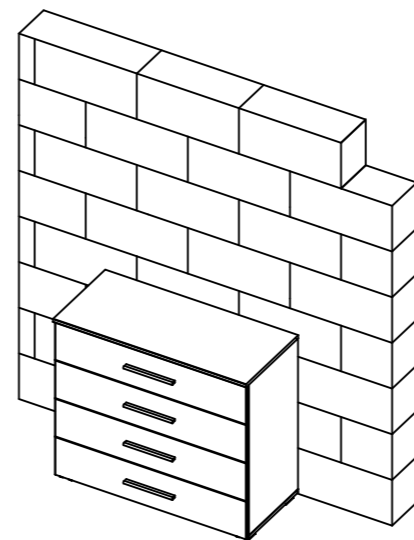
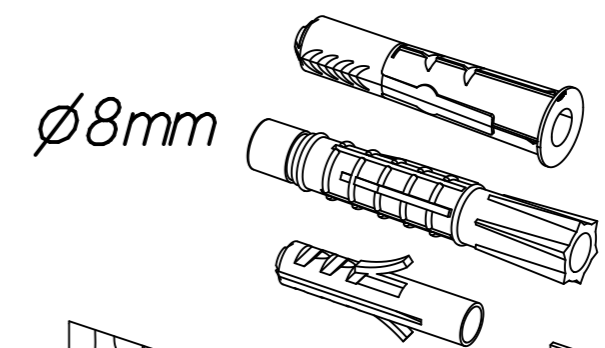
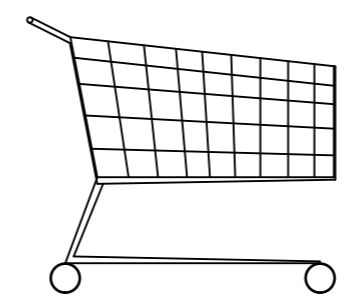
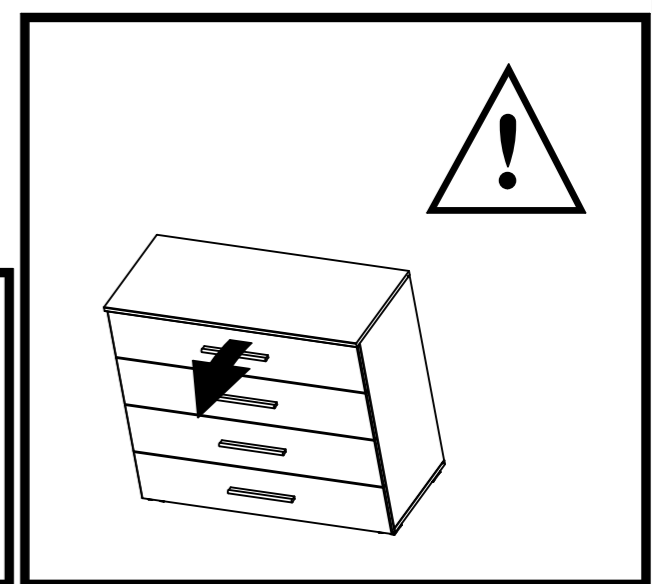
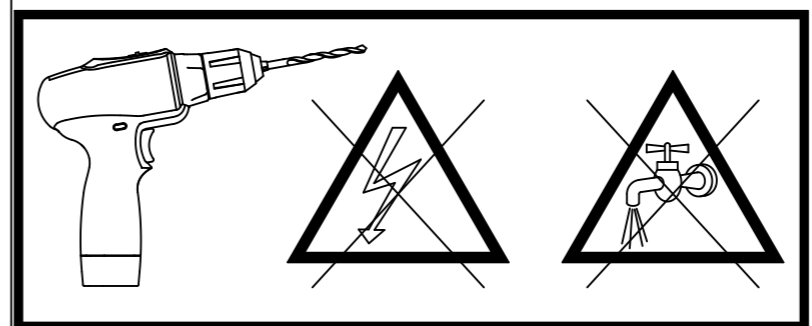
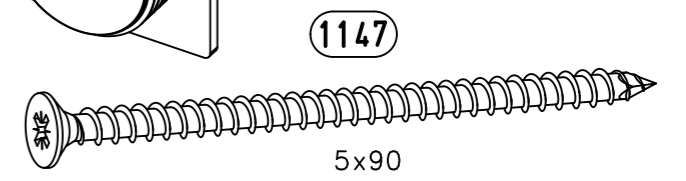
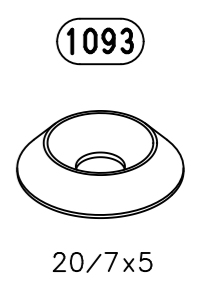
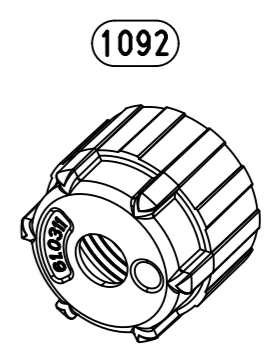
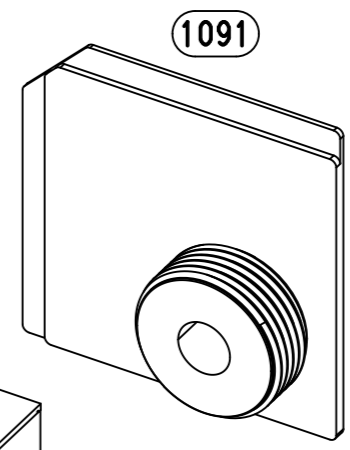
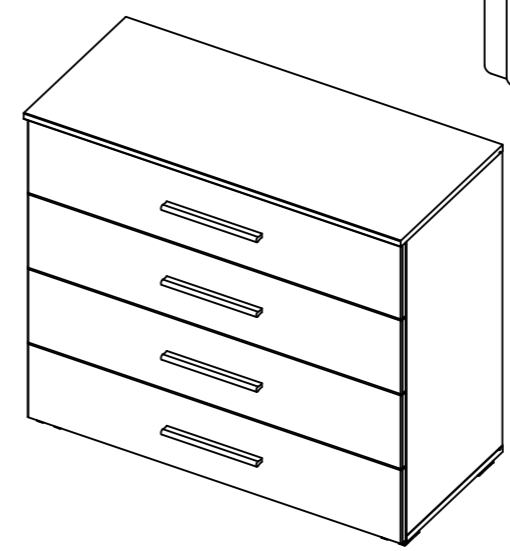
M2094\_04



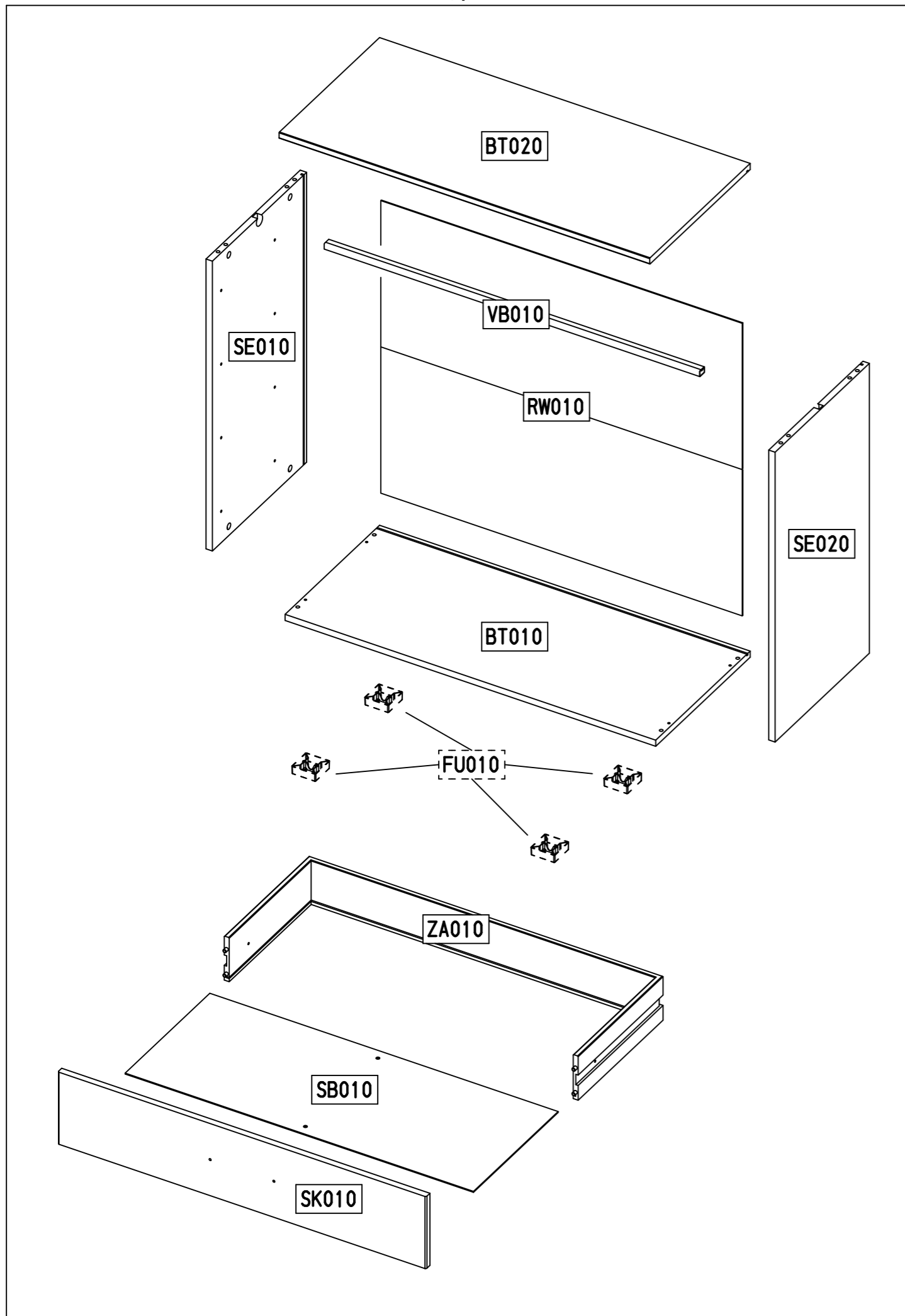
SK010 = SK020 = SK030 = SK040

2.

2x

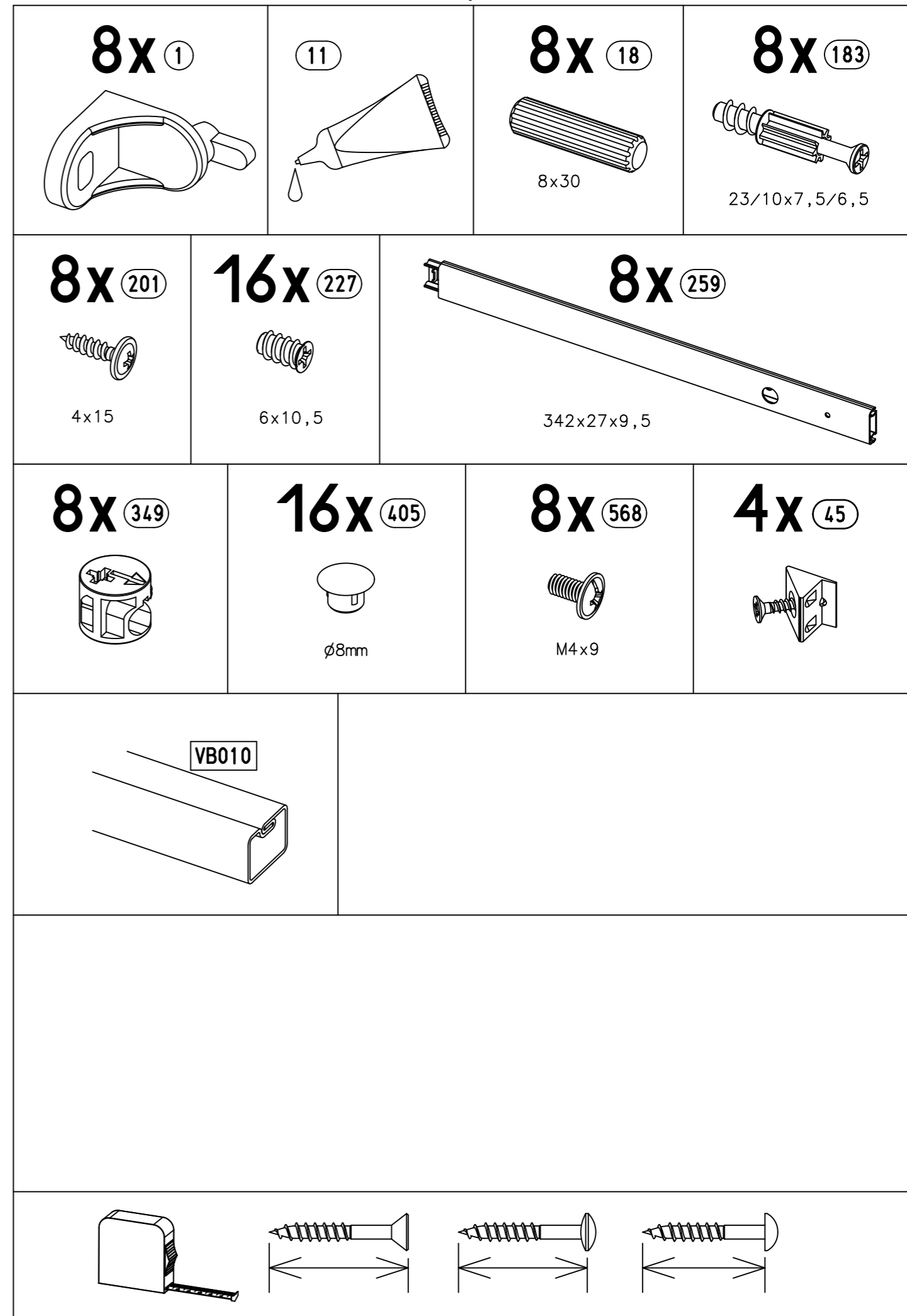


3.



M2094

4.

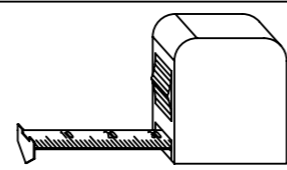
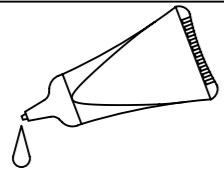


M2094

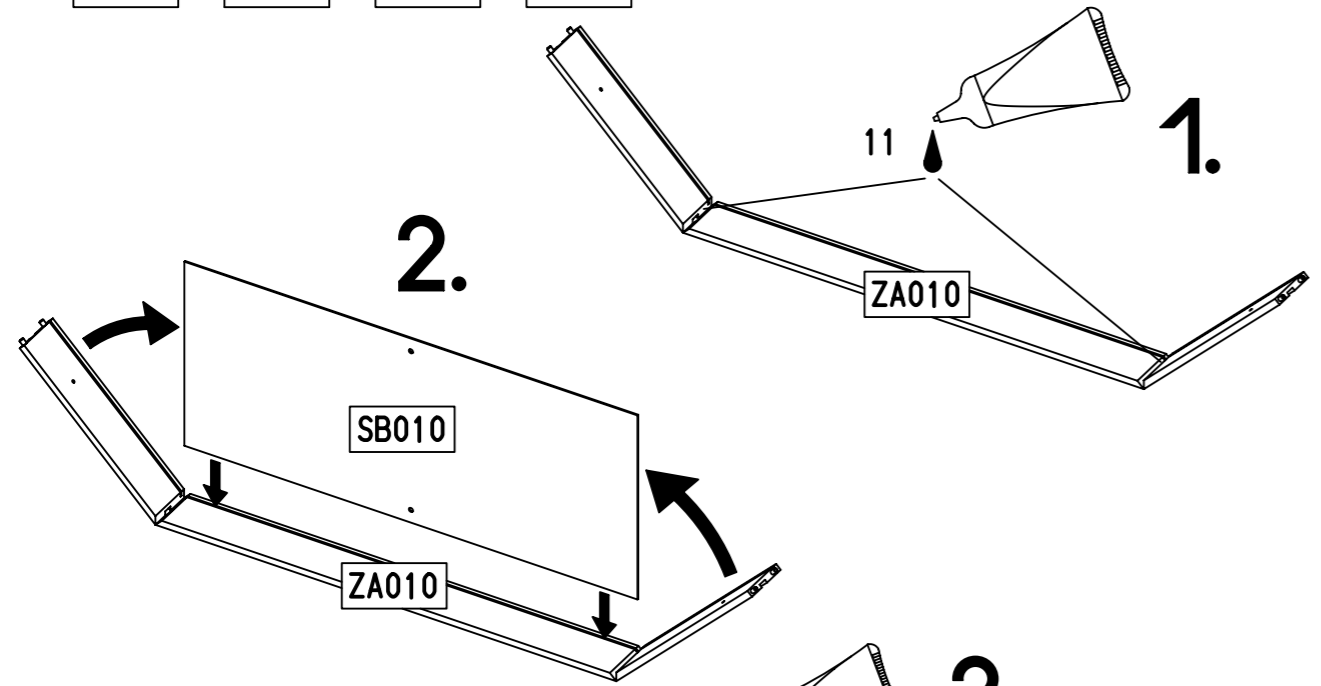
5.

1

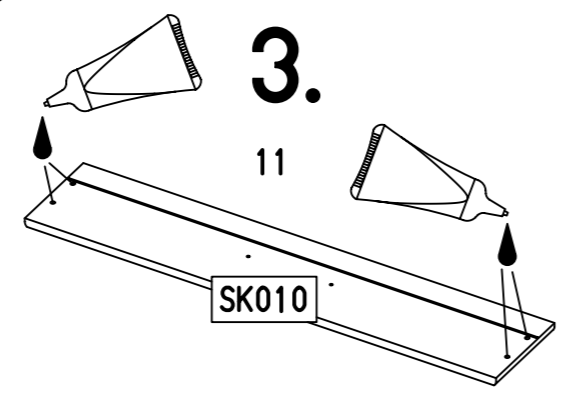
11



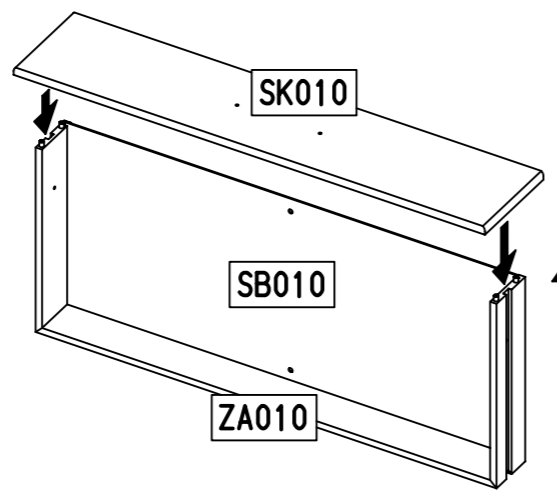
SK010 = SK020 = SK030 = SK040



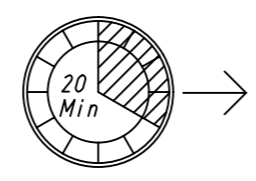
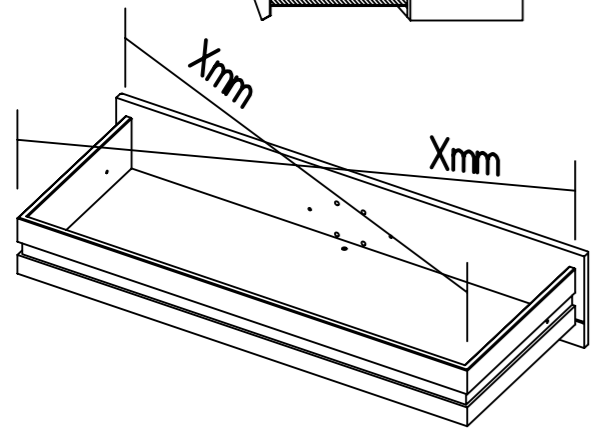
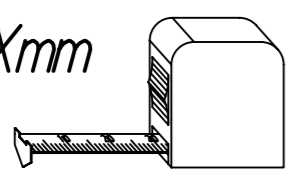
3.



4.



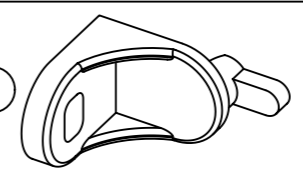
Xmm = Xmm



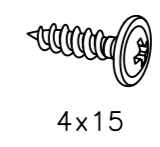
6.

2

8x 1

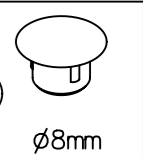


8x 201

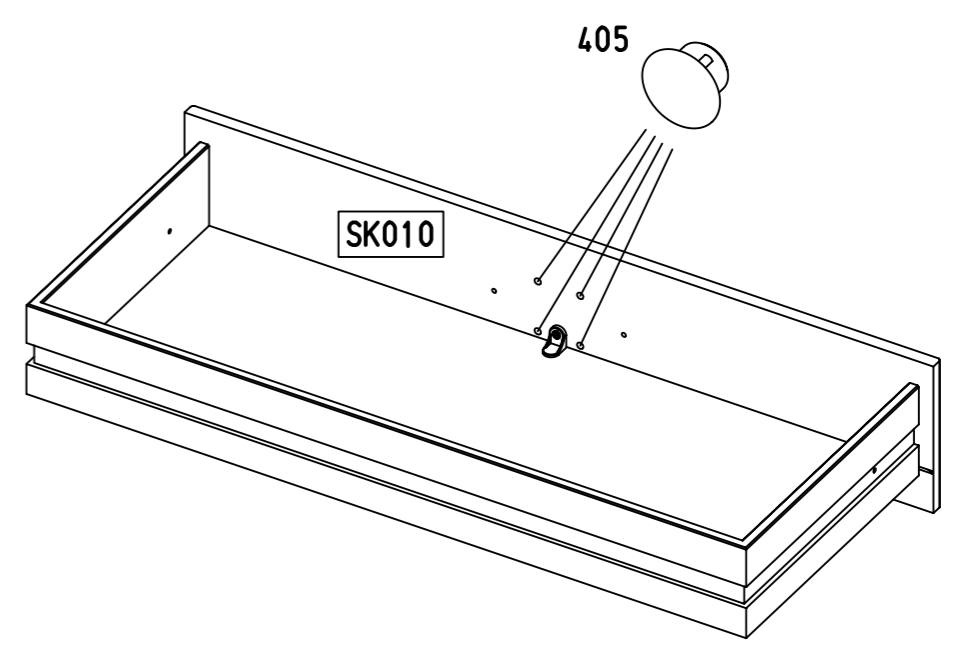
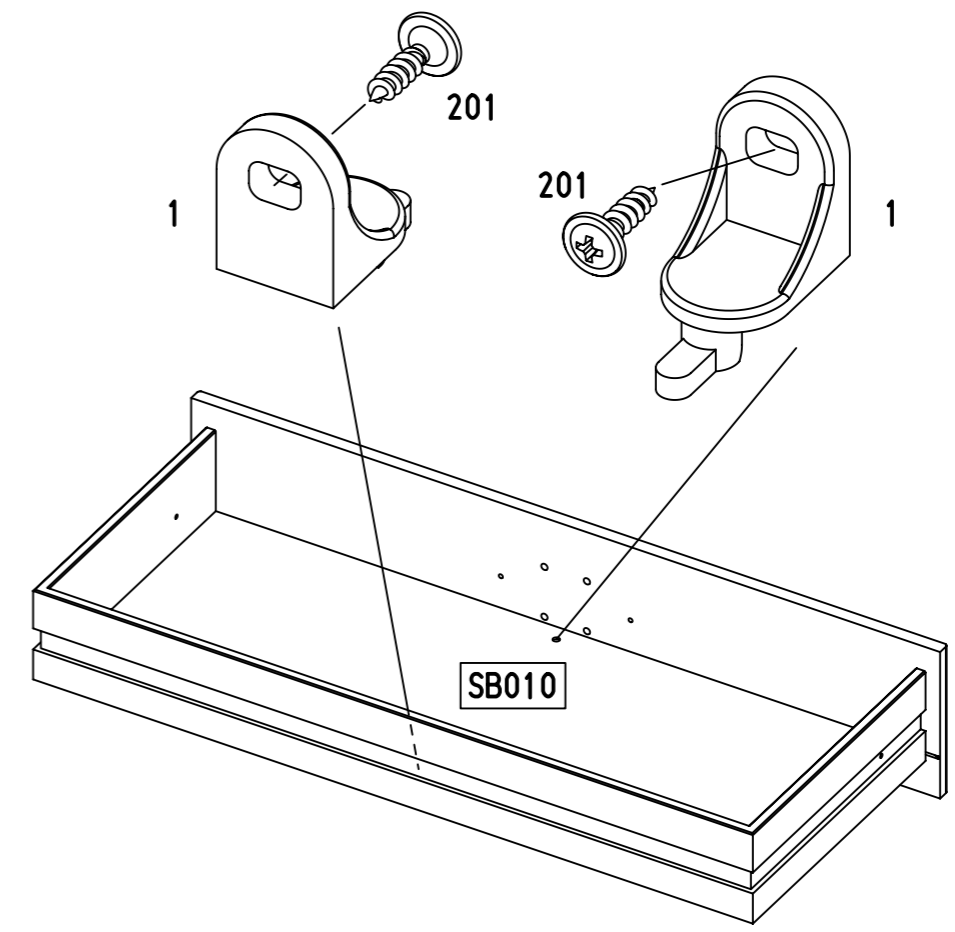
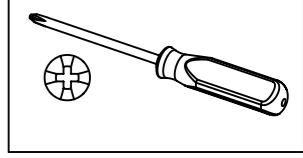


4x15

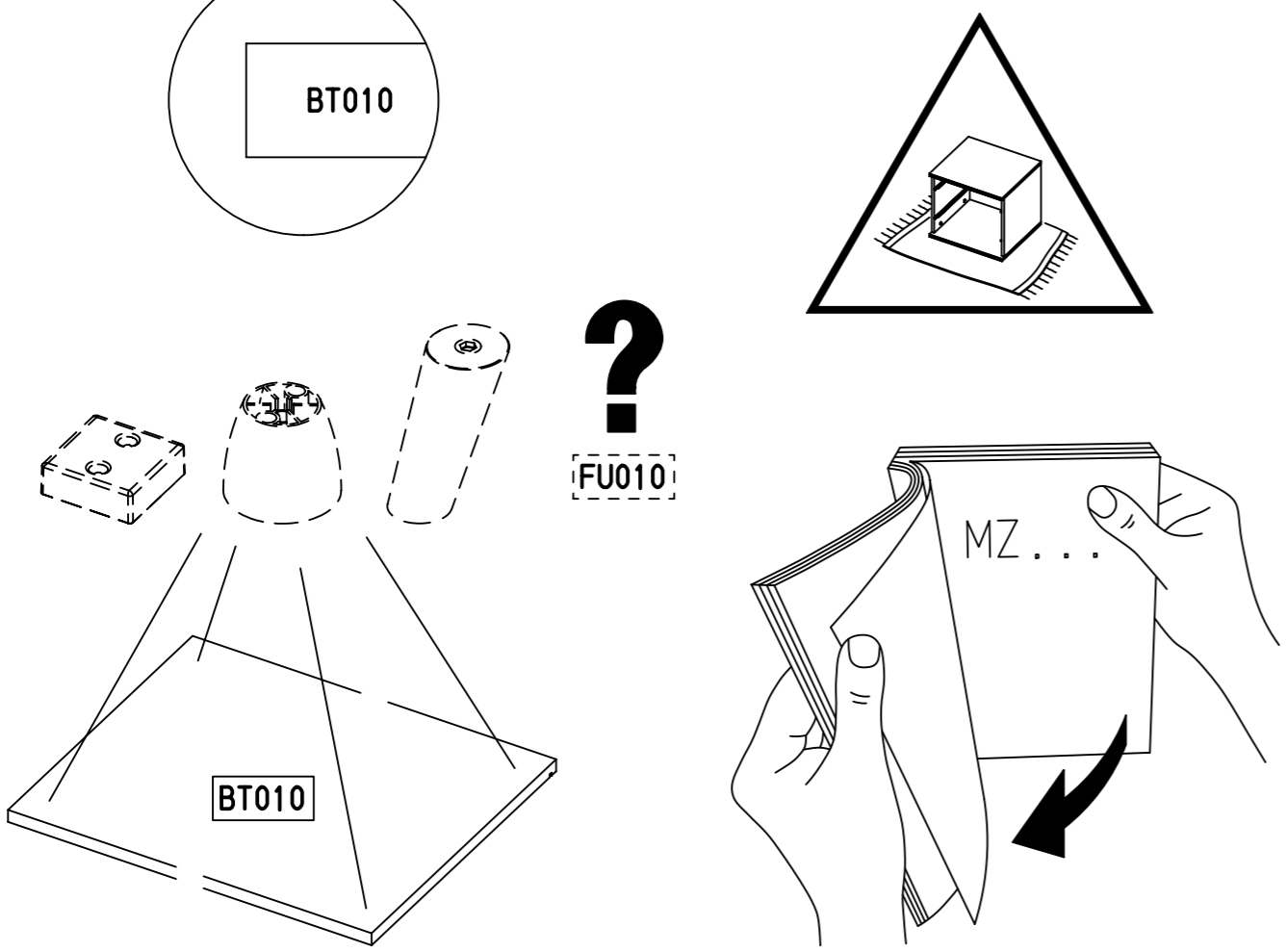
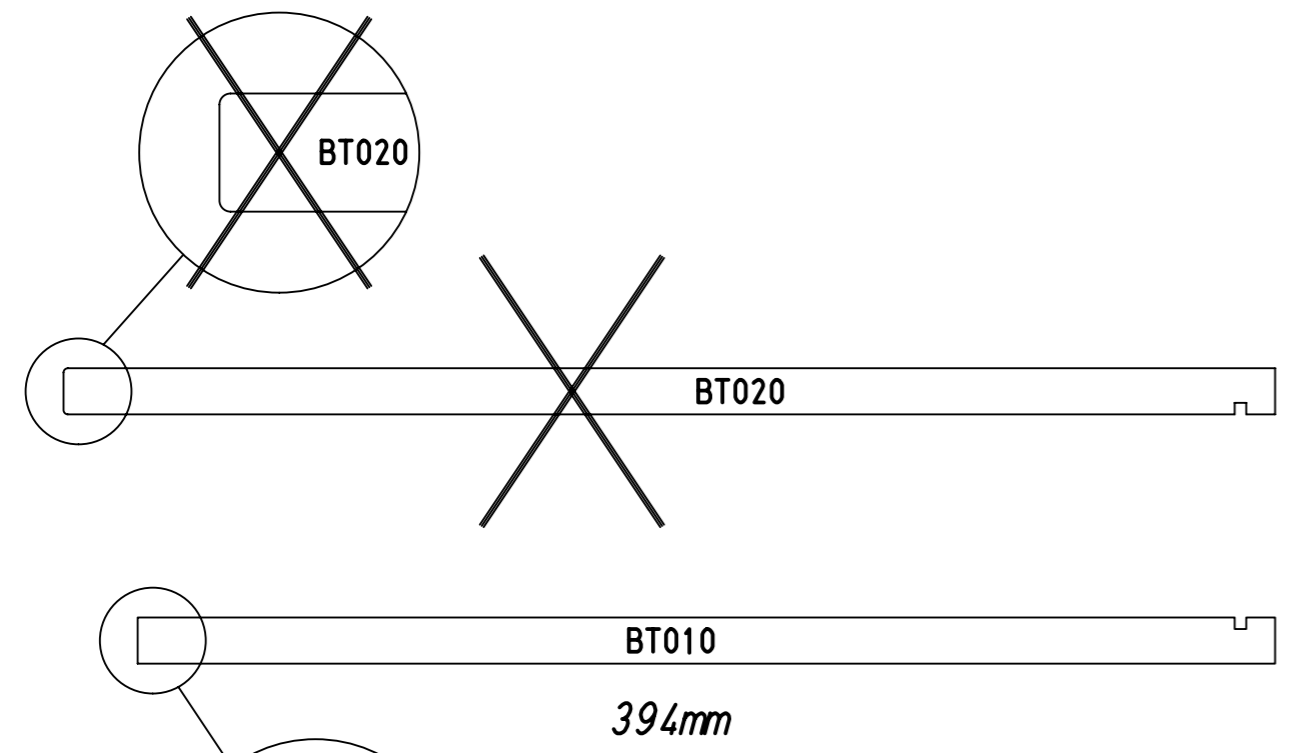
16x 405



ø8mm

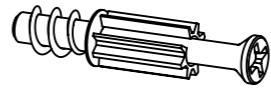
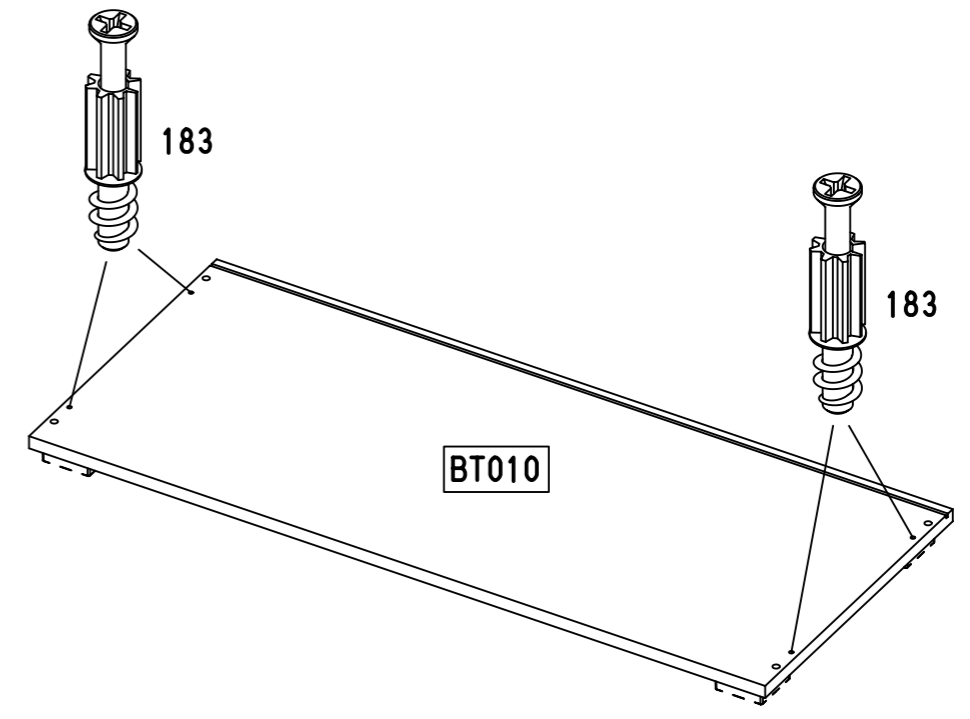
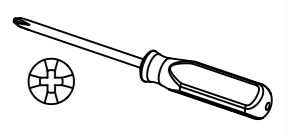


3



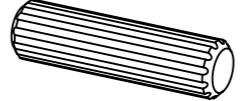
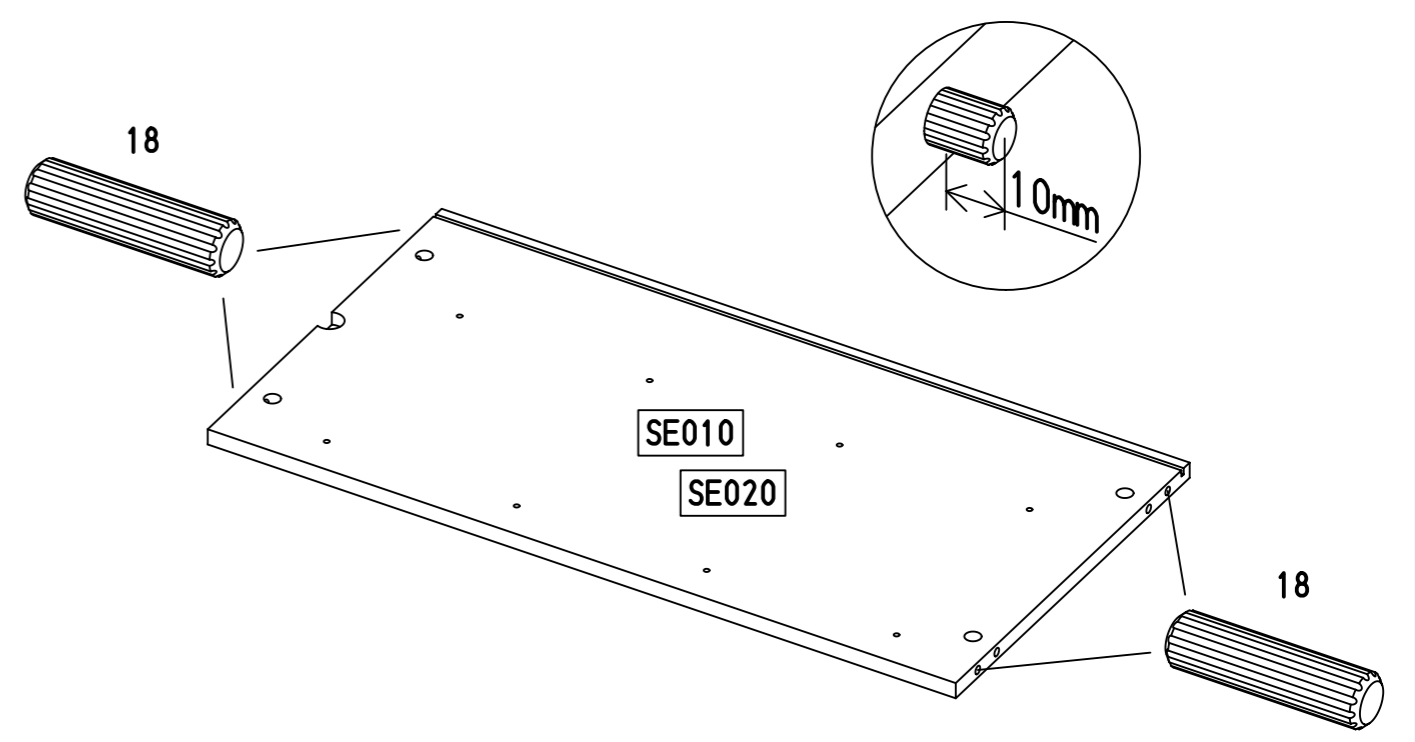
4

**4x** 183  
23/10x7,5/6,5

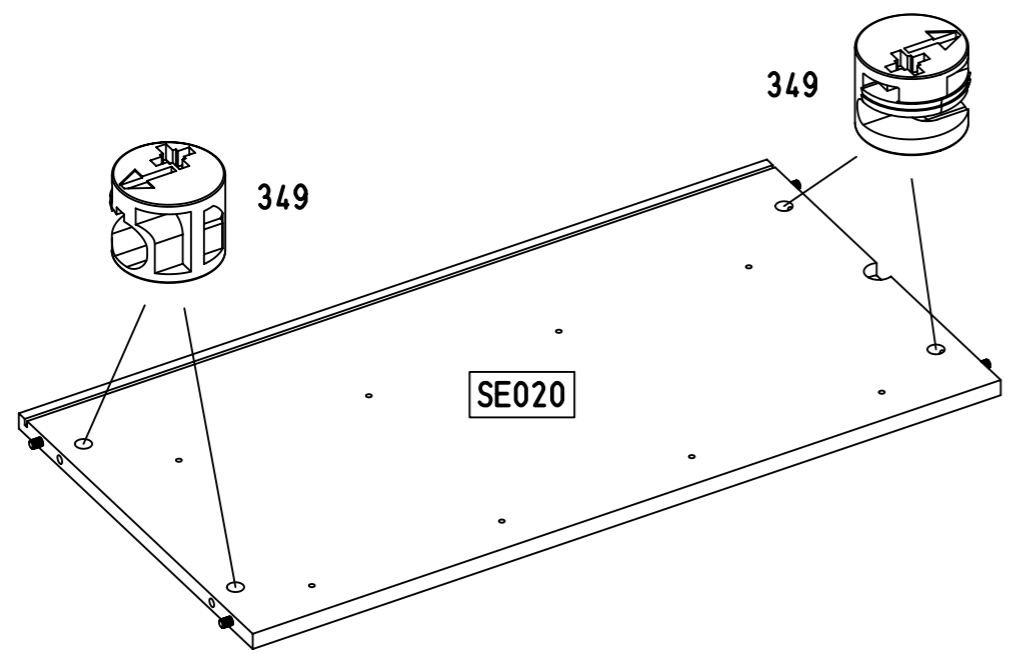
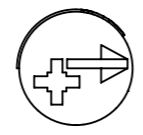
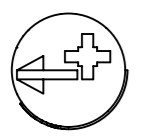
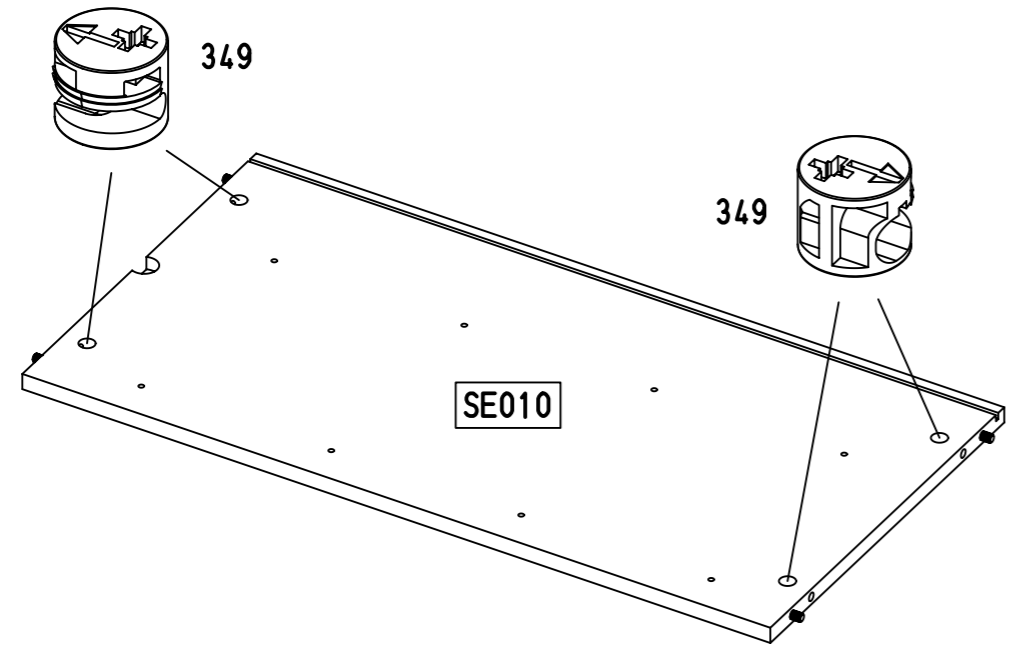
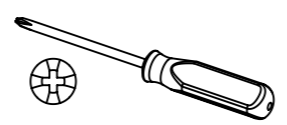
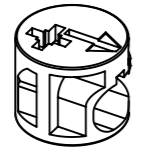
5

**8x** 18  
8x30

6

12x 349



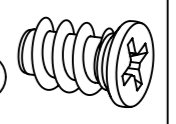
7

4x 259

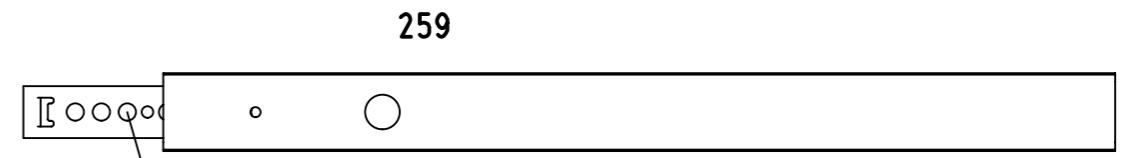
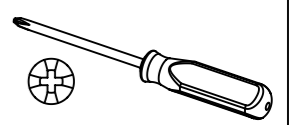


342x27x9,5

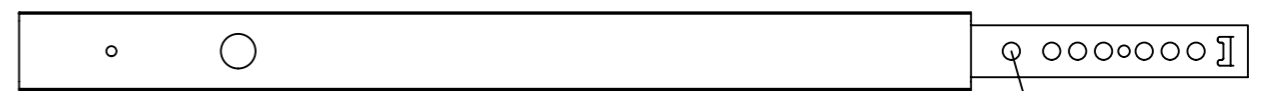
8x 227



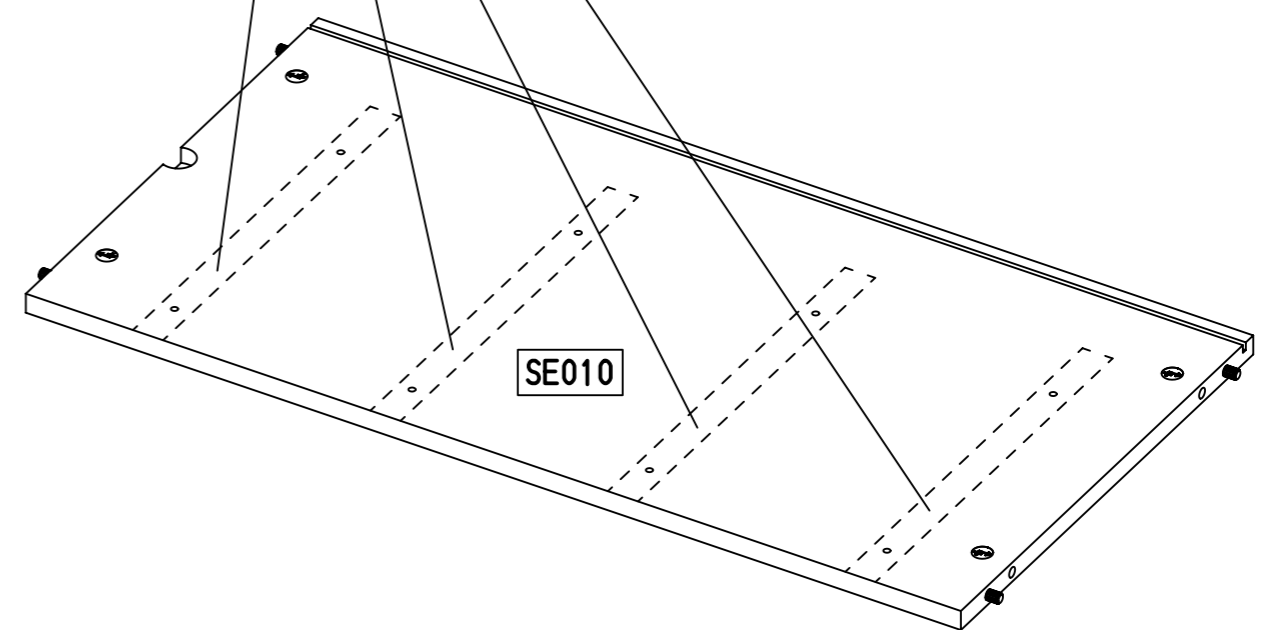
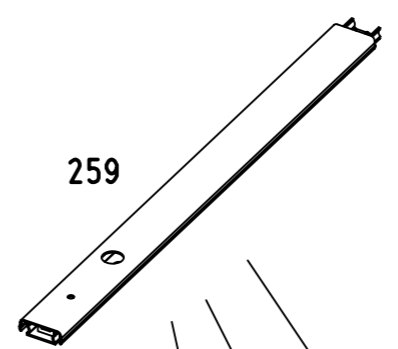
6x10,5



1.



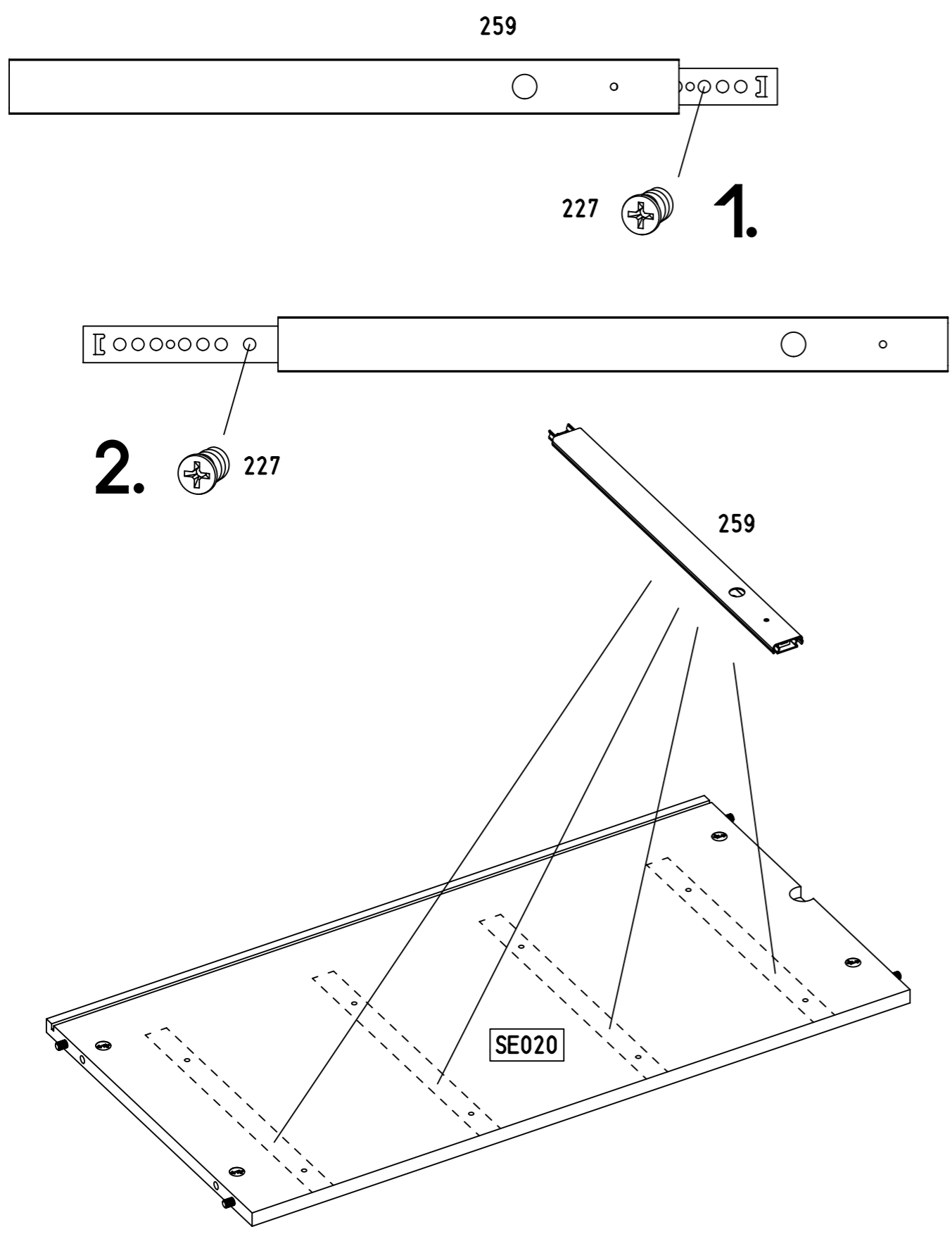
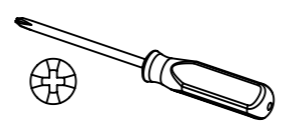
2.



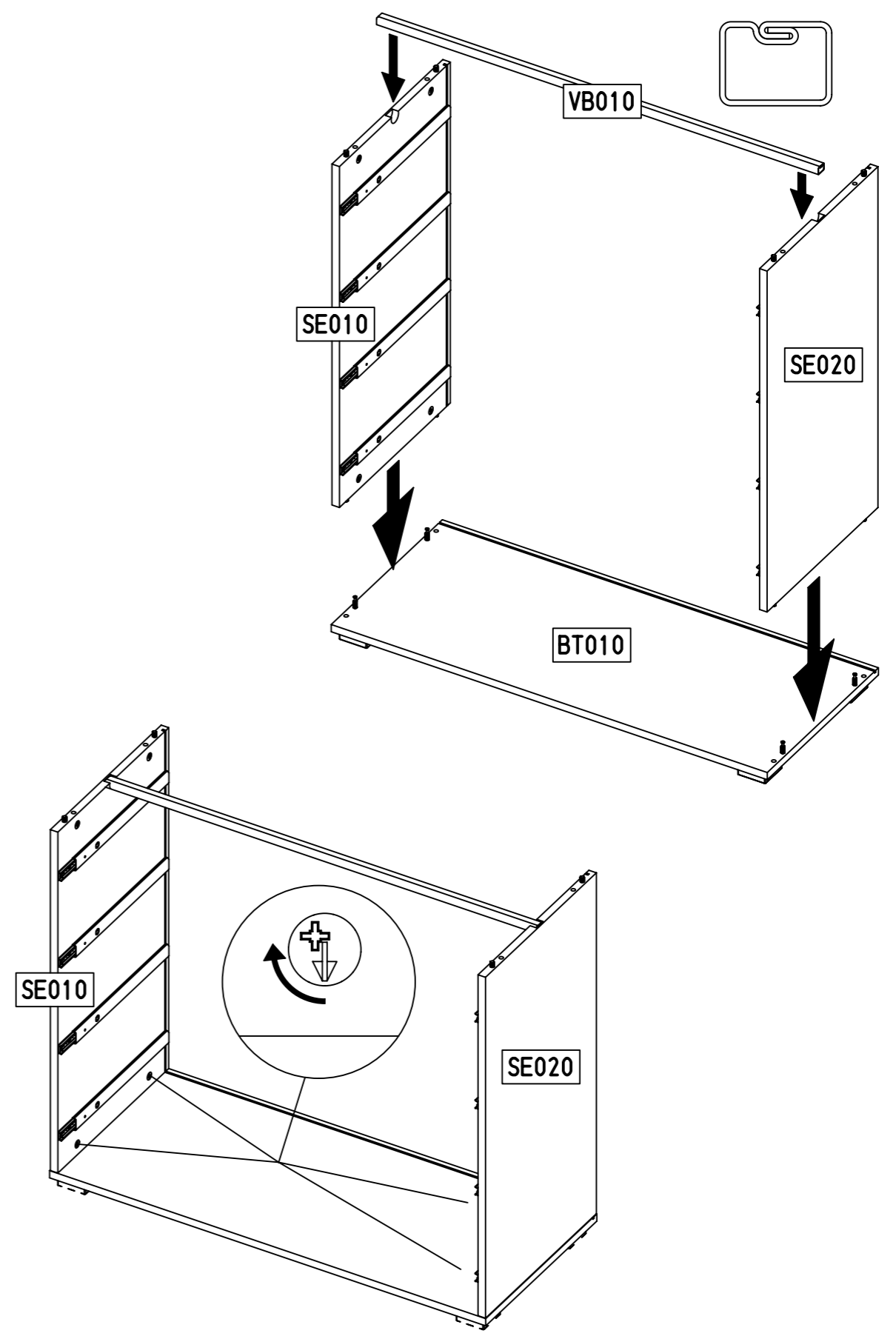
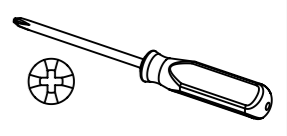
8

4x 259  
342x27x9,5

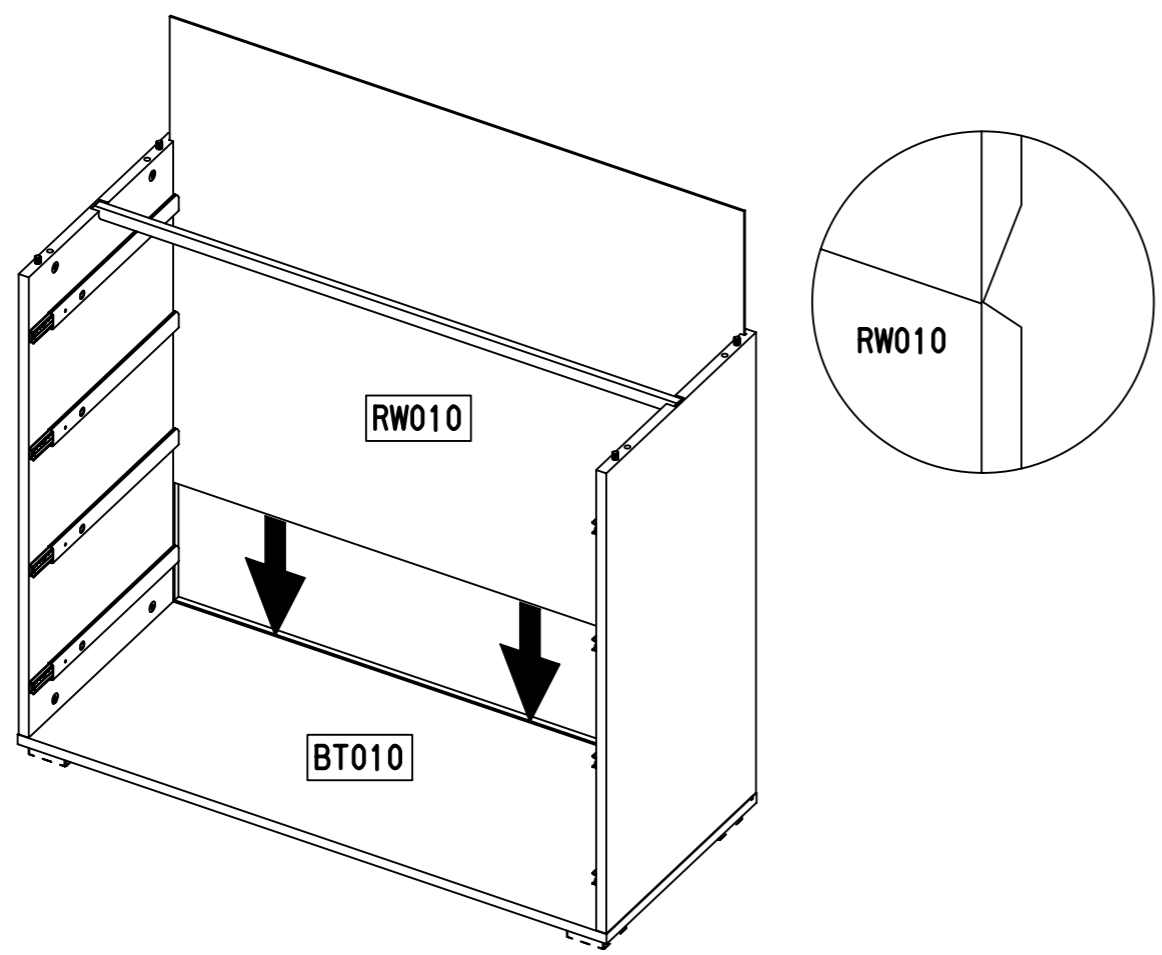
8x 227  
6x10,5



9

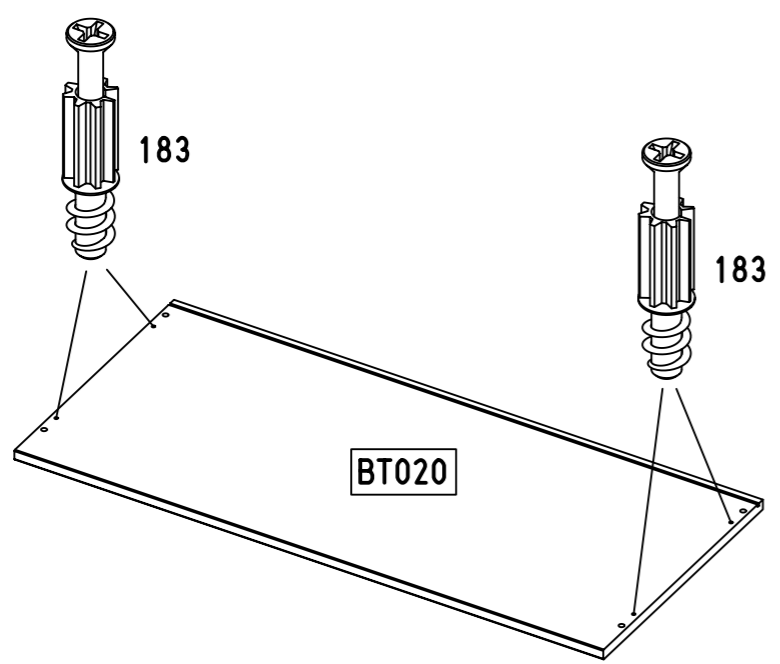
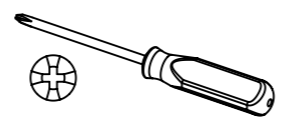


10

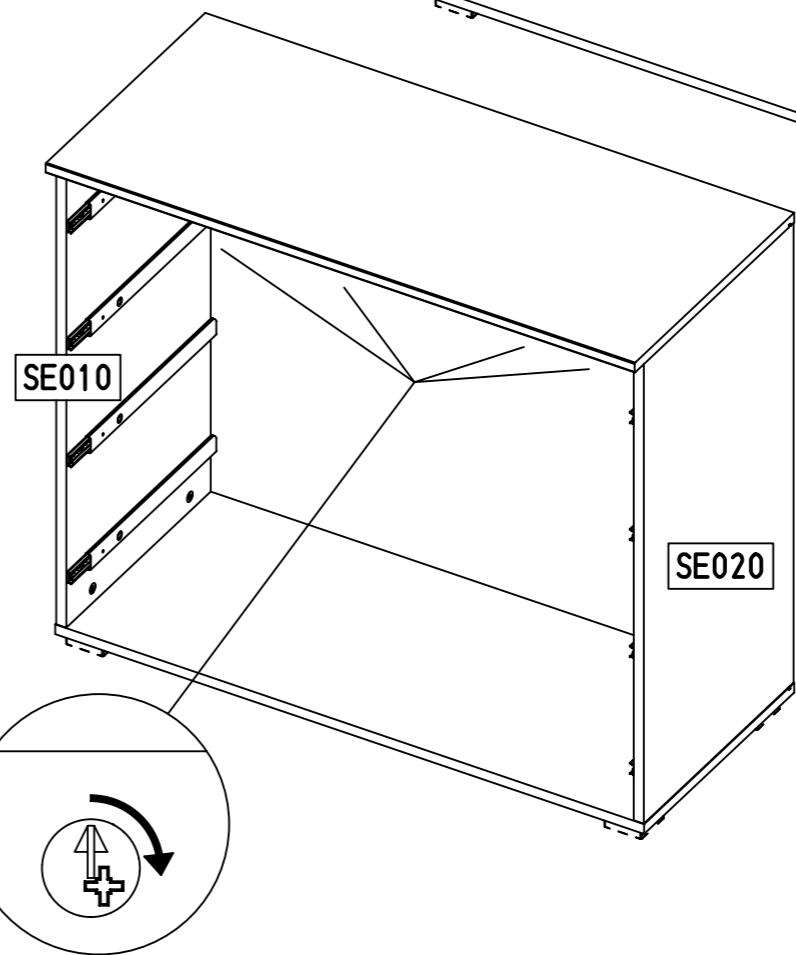
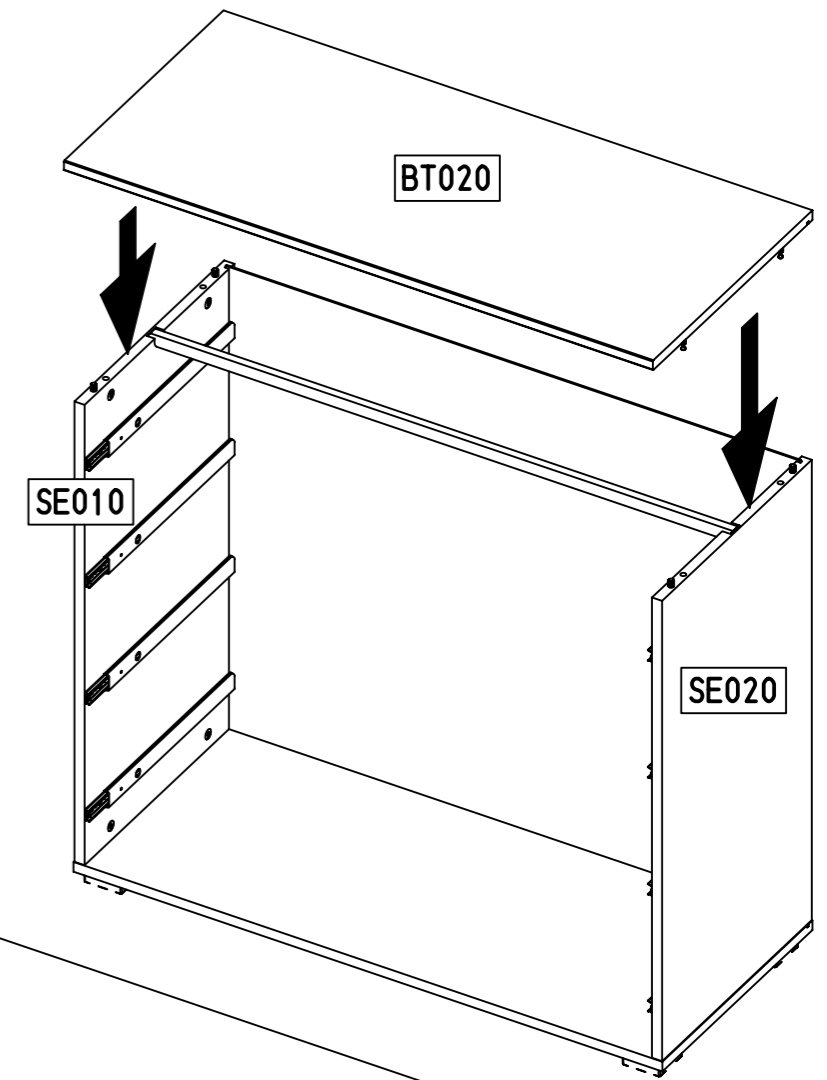
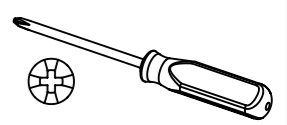


11

**4x** 183  
23/10x7,5/6,5

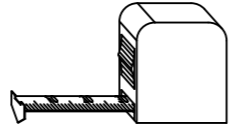
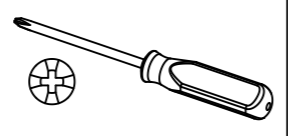
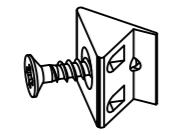


12

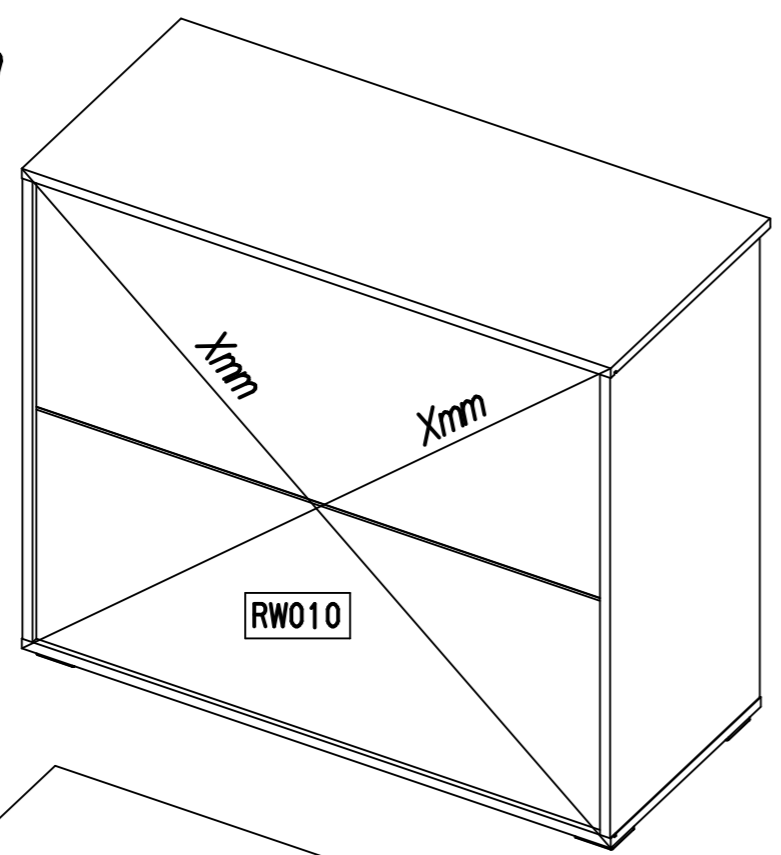
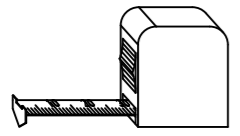


13

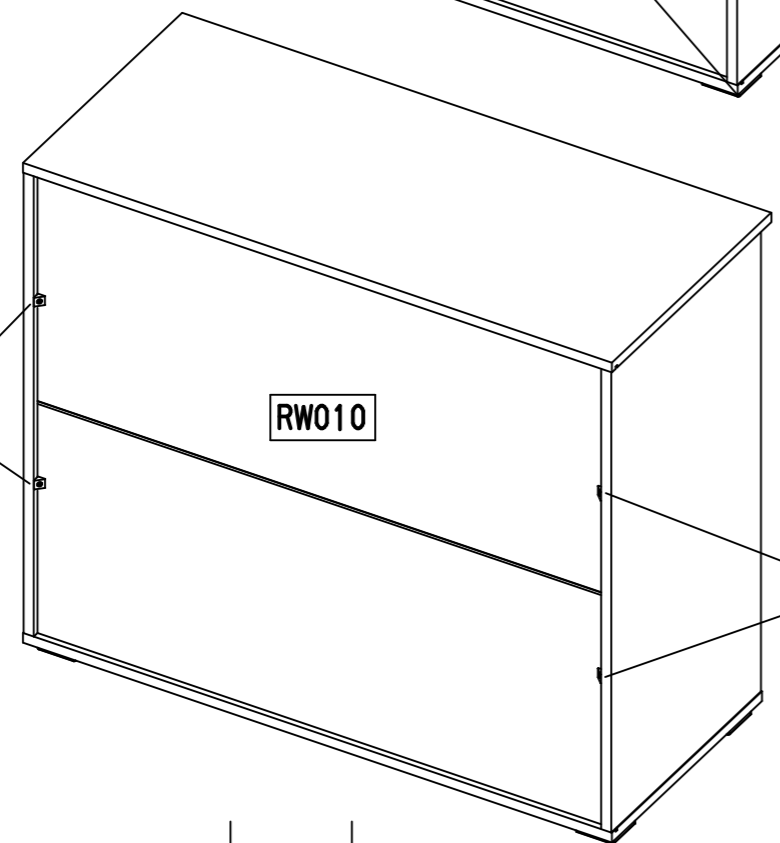
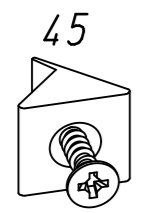
4x 45



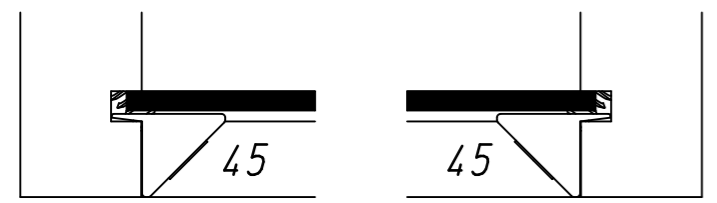
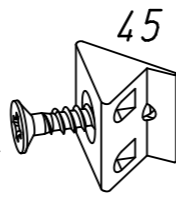
Xmm = Xmm



RW010

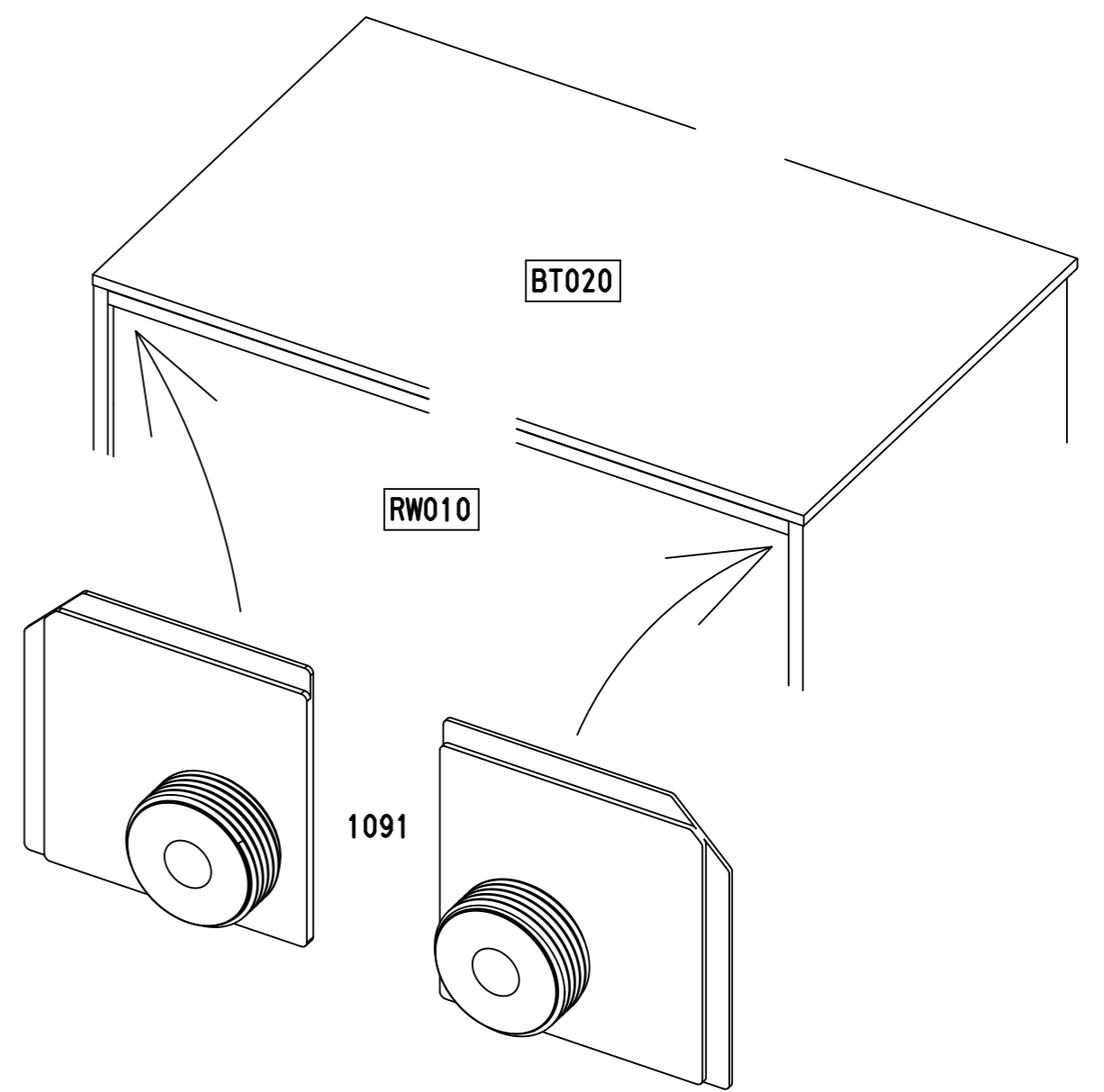
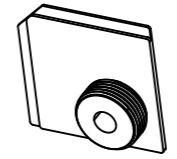


RW010



14

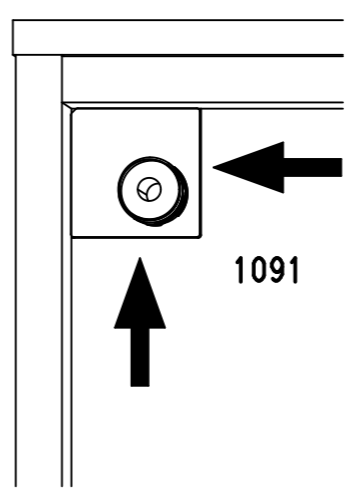
2x 1091



BT020

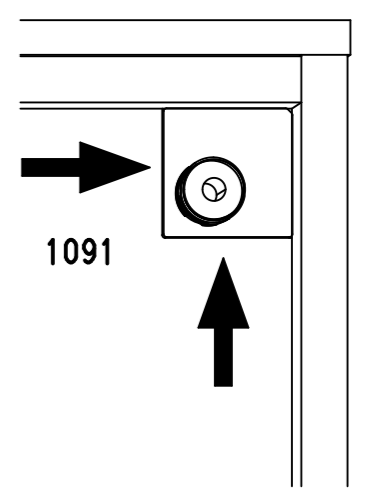
RW010

1091



1091

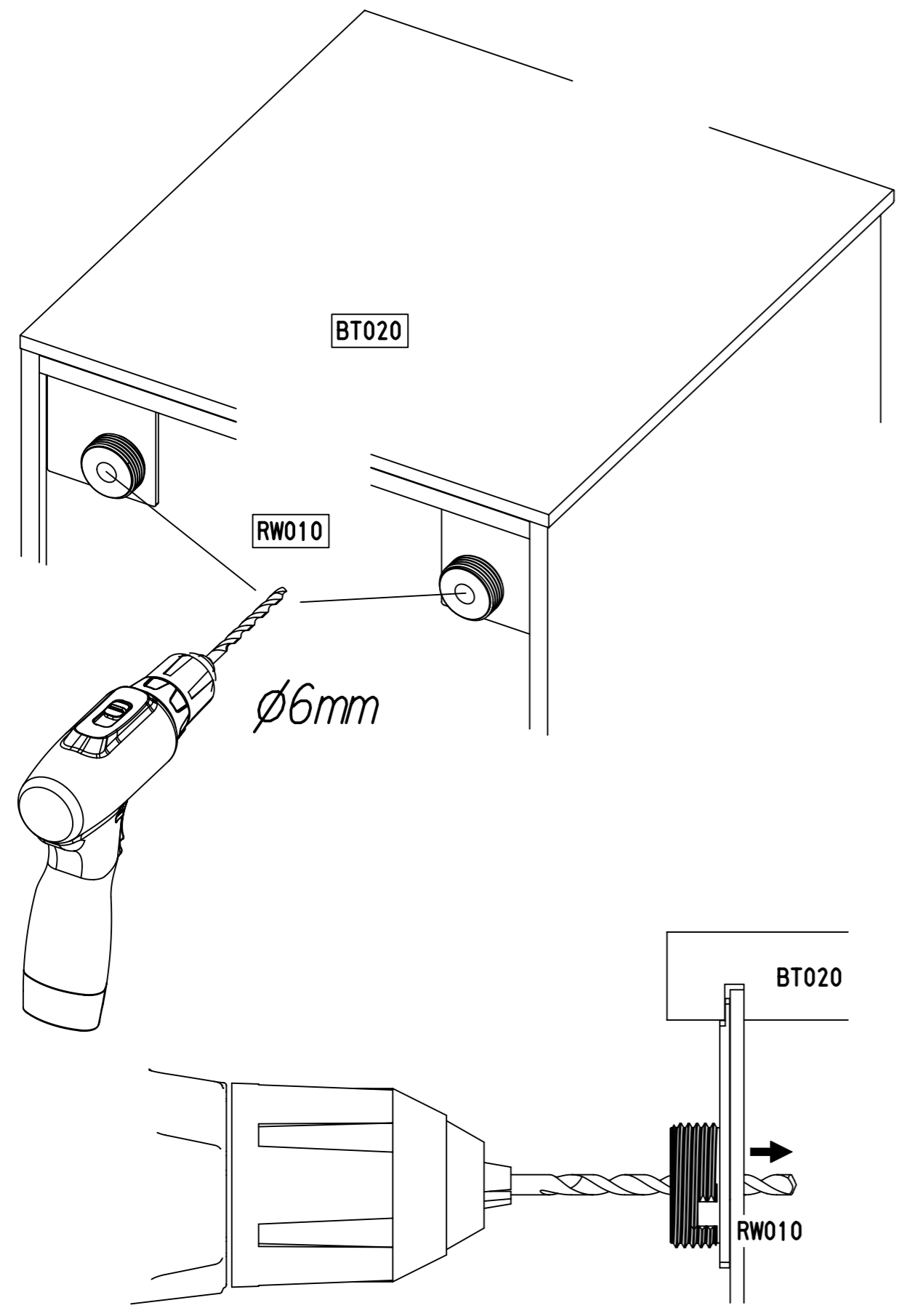
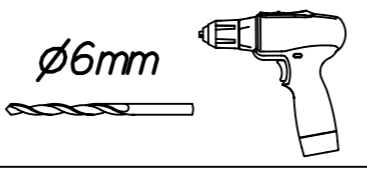
RW010



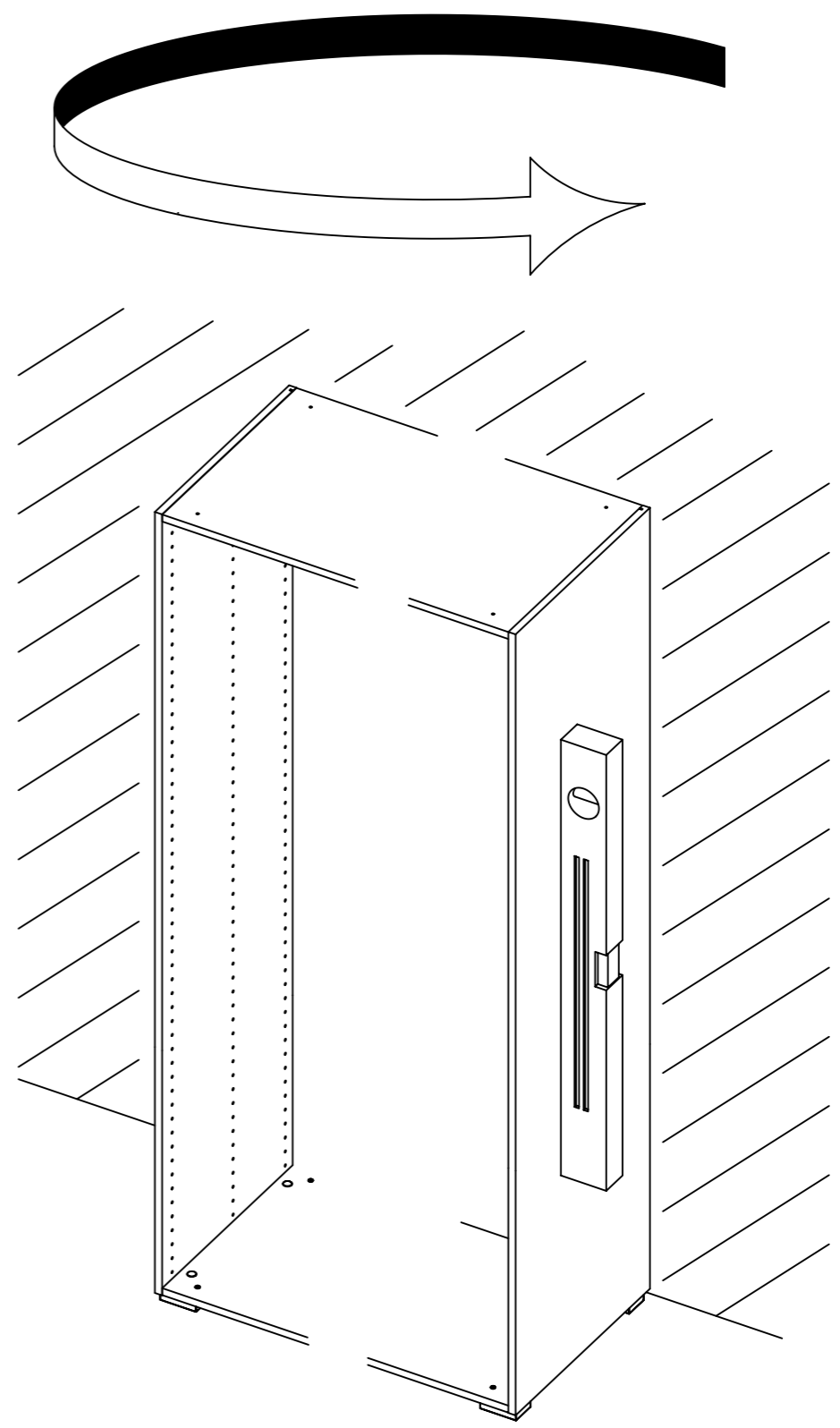
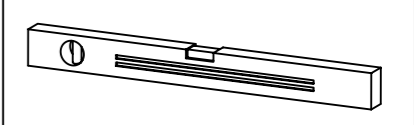
1091



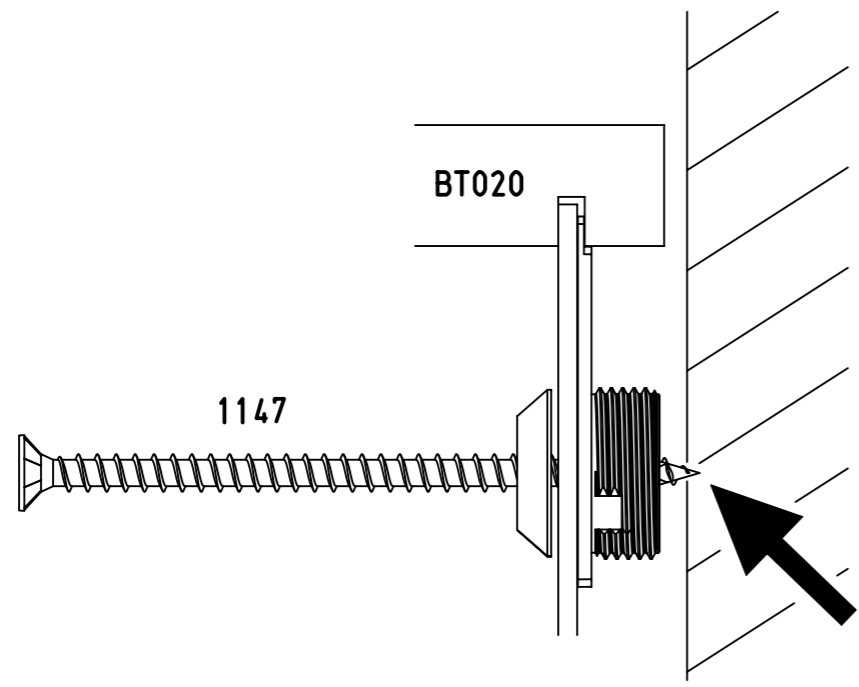
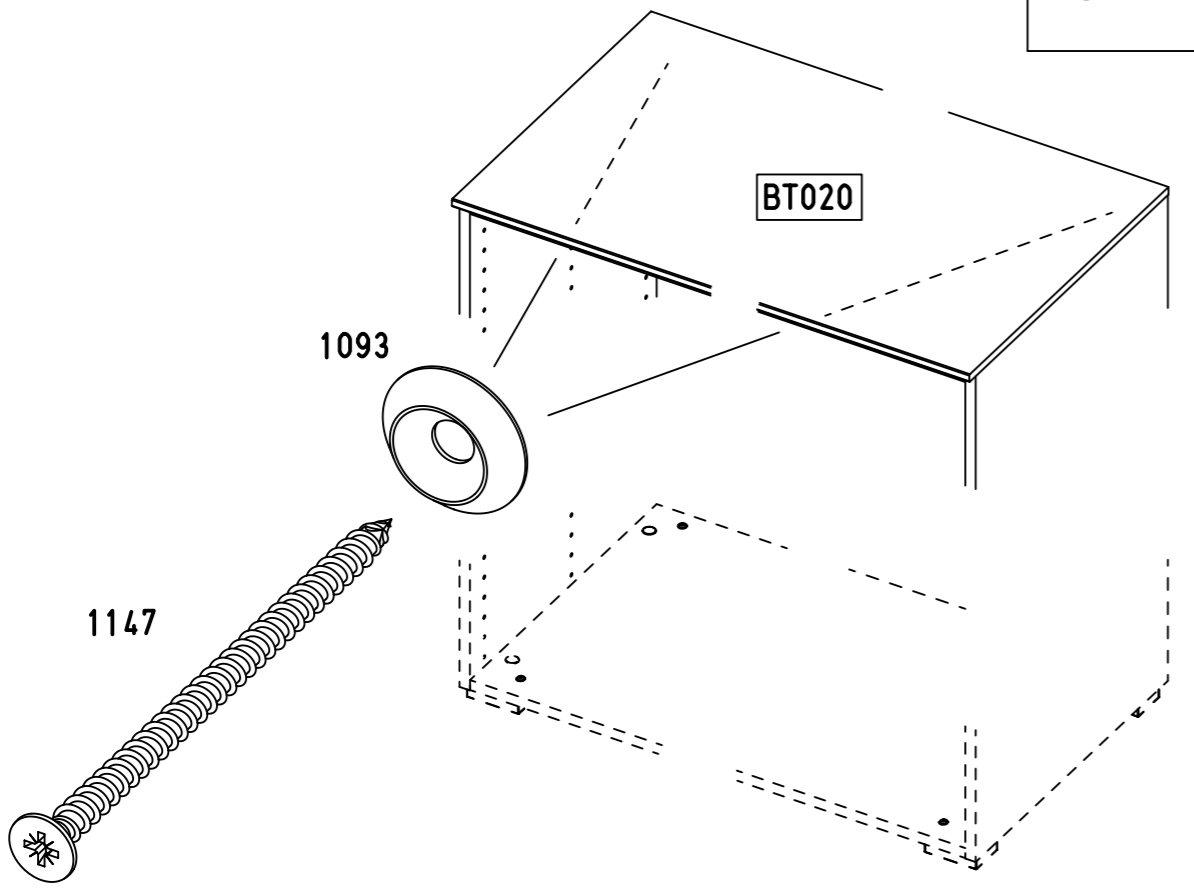
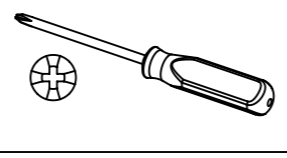
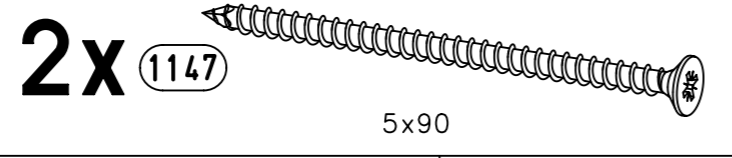
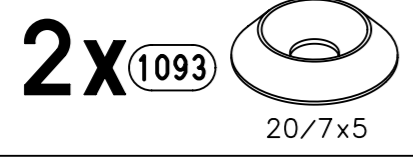
15



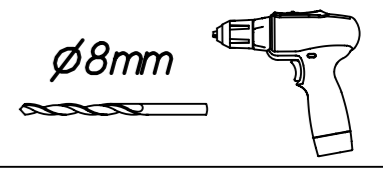
16



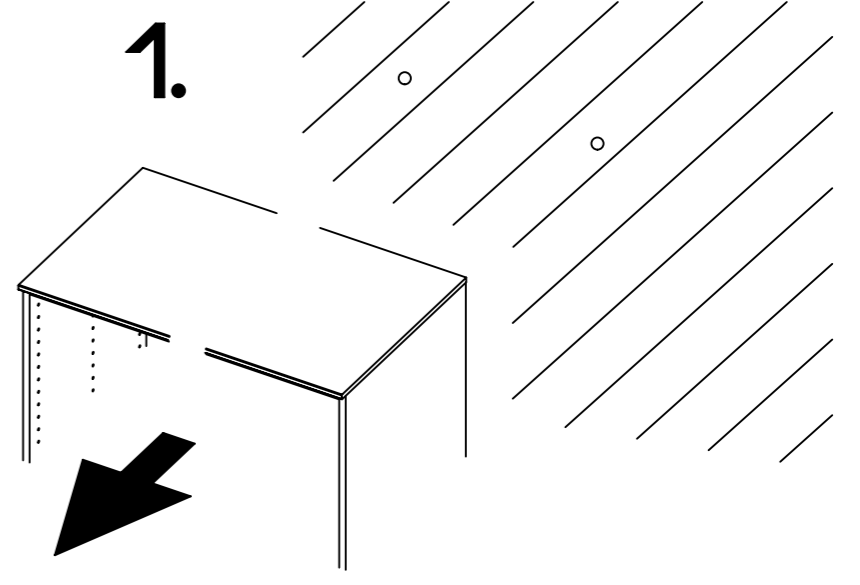
17



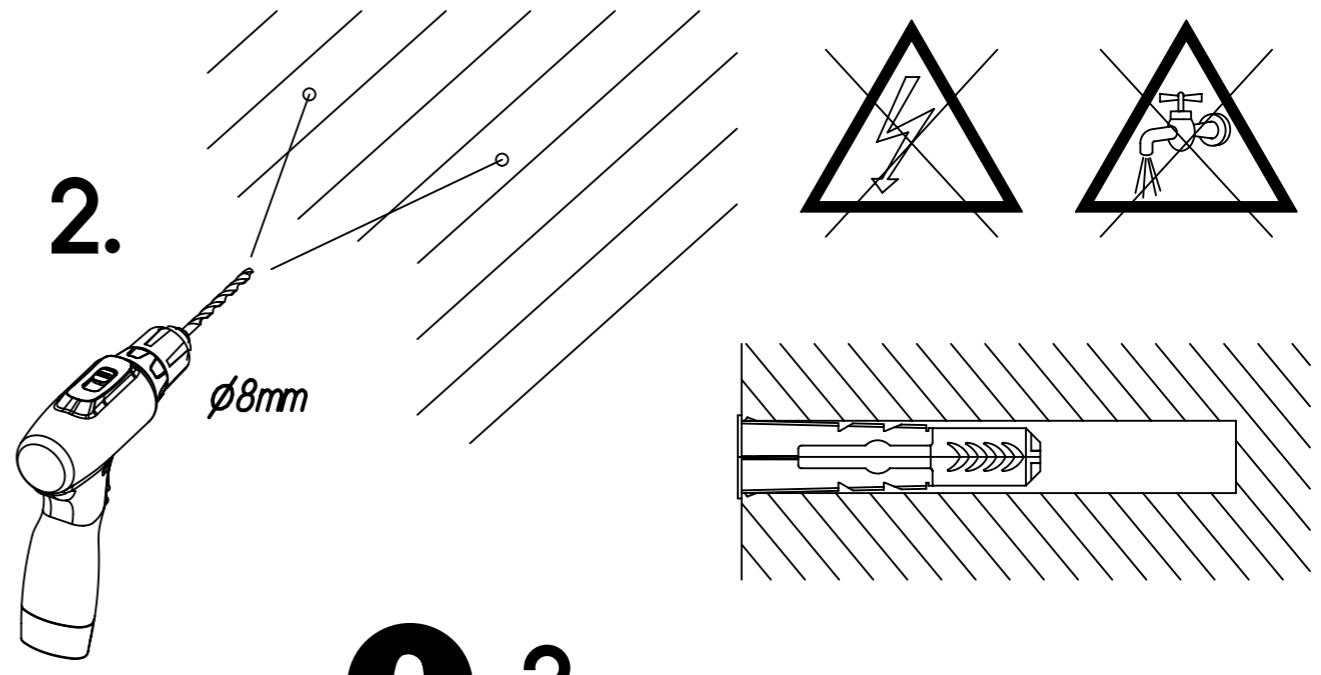
18



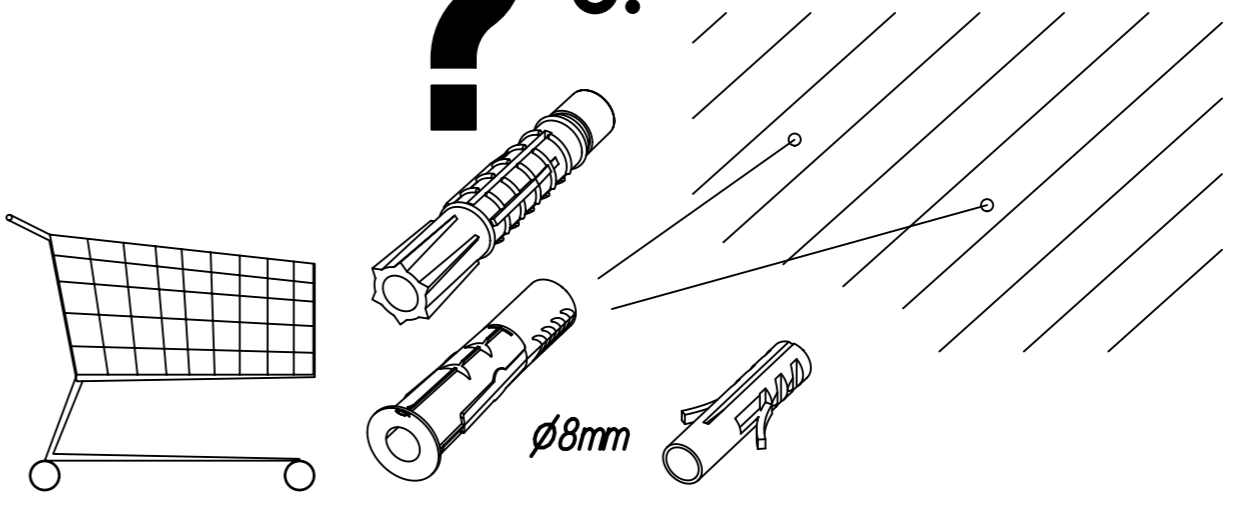
1.



2.

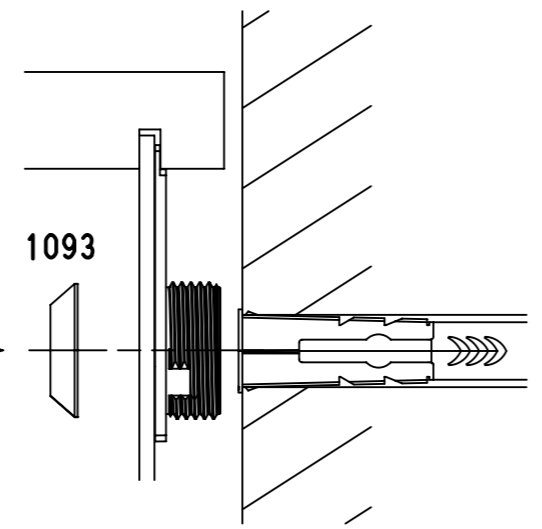
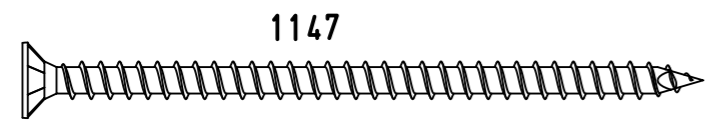
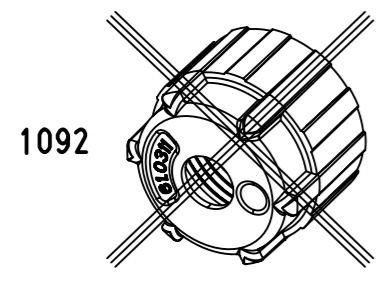
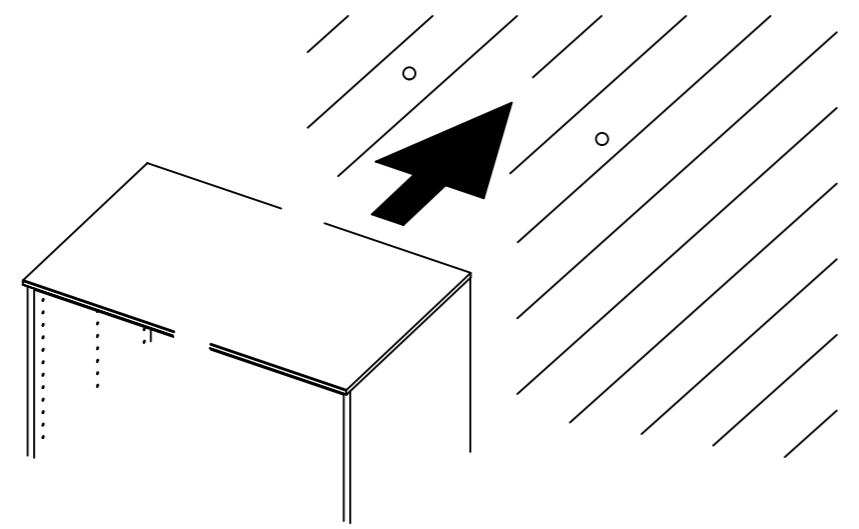
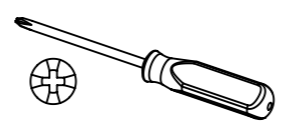
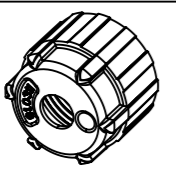


? 3.

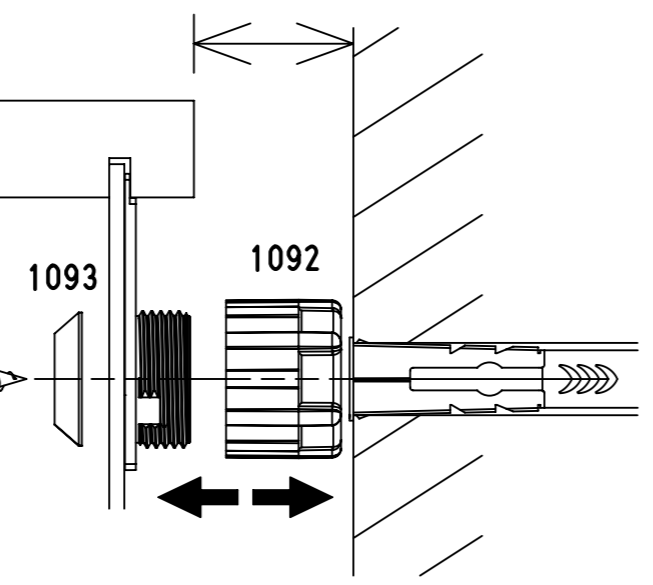
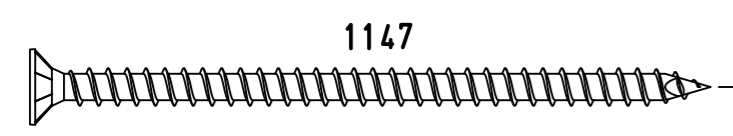


19

2x 1092

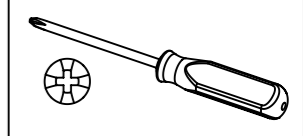
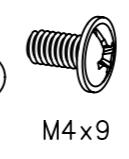


10-15mm



20

8x 568



SK010 = SK020 = SK030 = SK040

