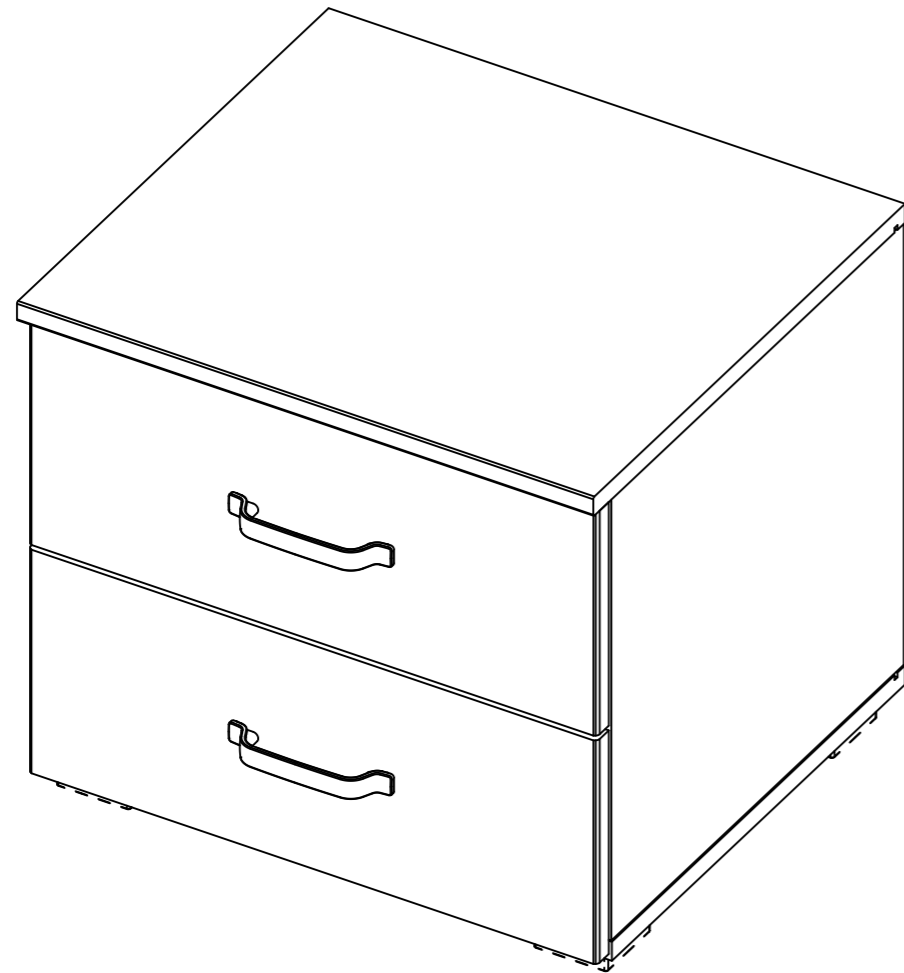
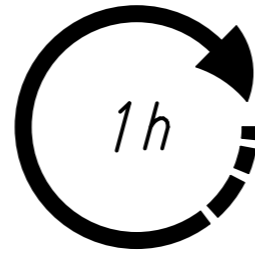
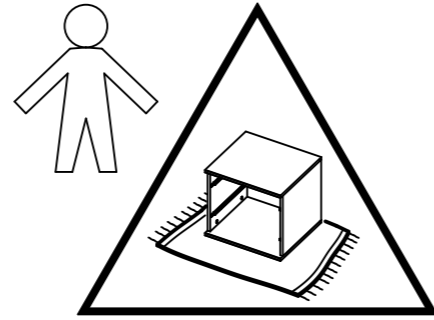
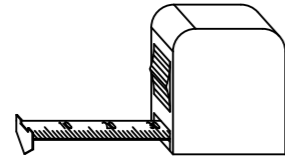
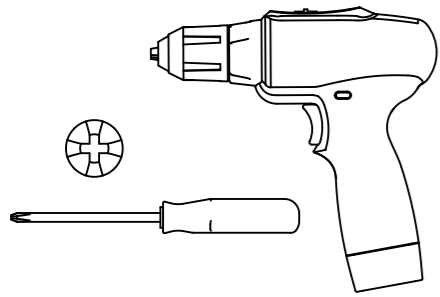
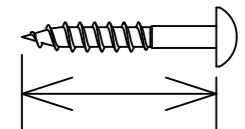
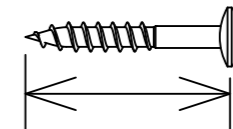
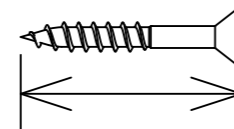
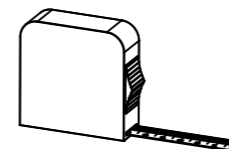
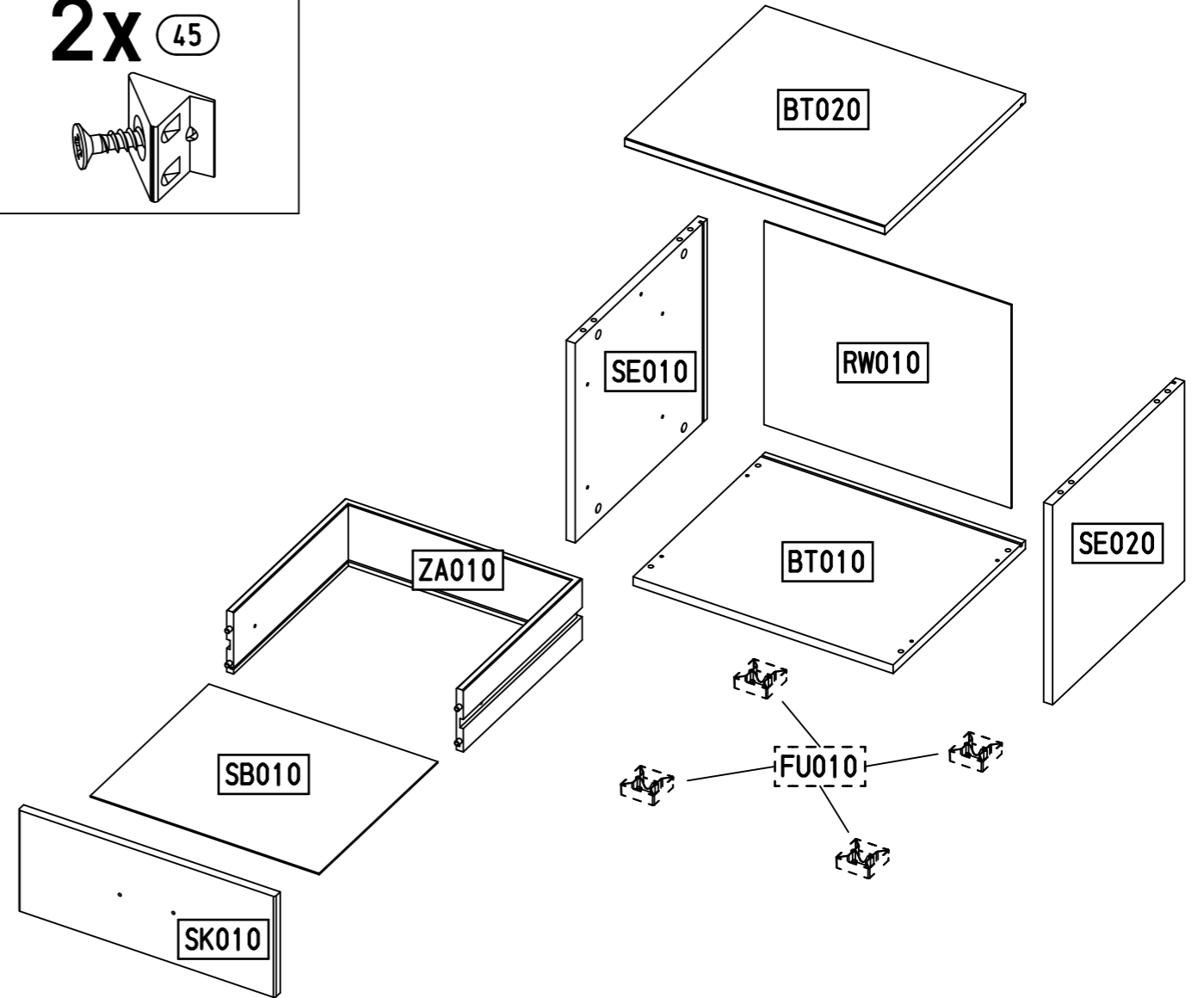
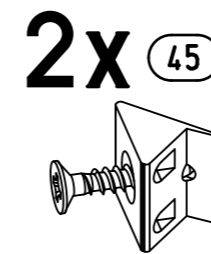
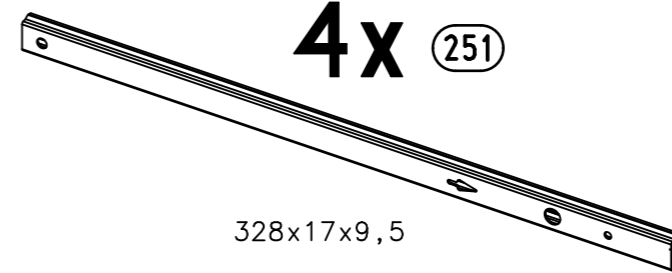
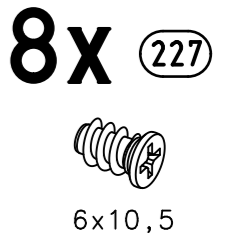
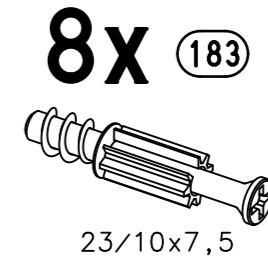
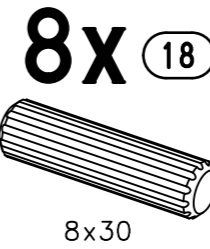
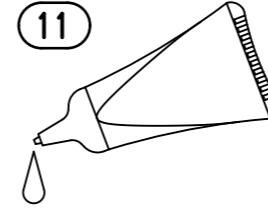


1.

M2067_04

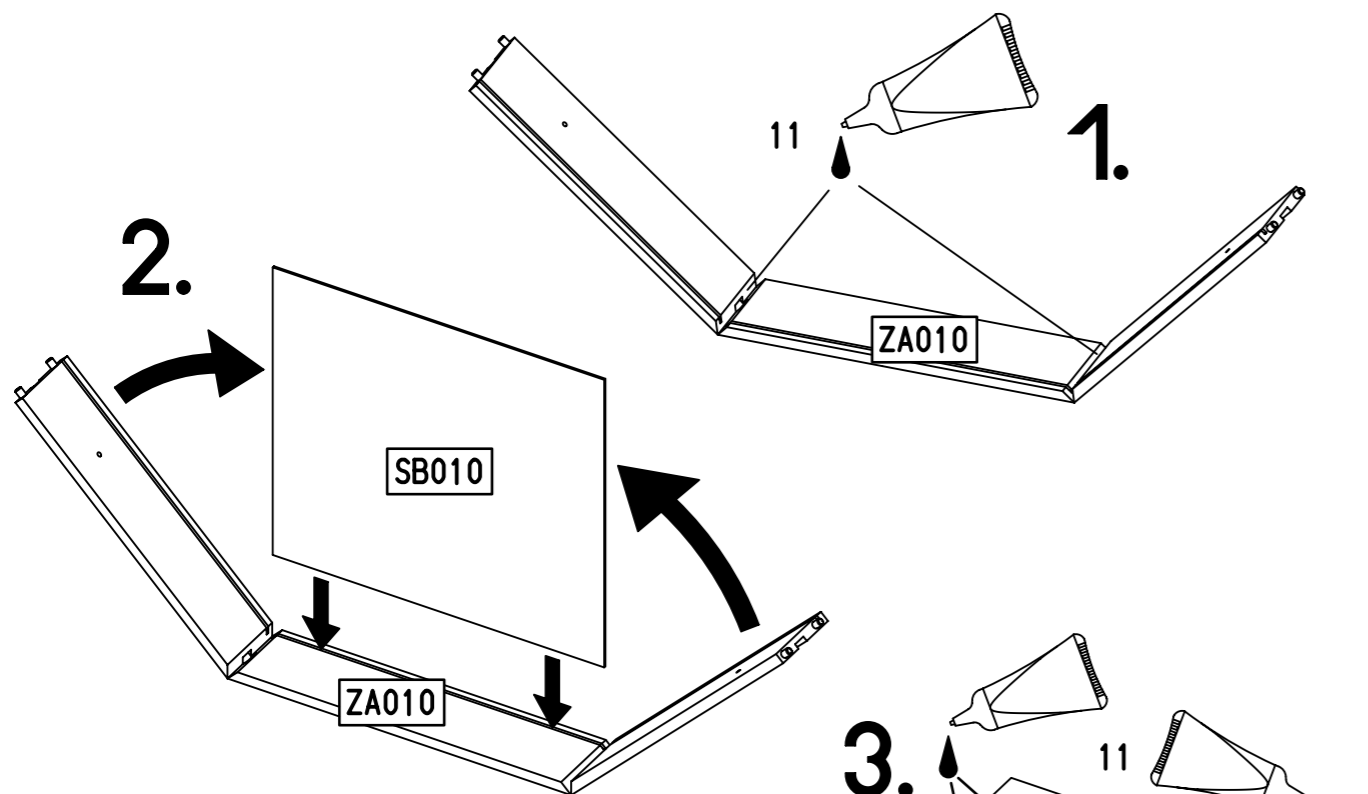
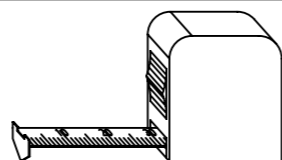
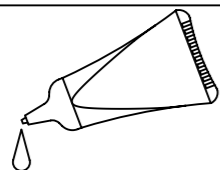


2.

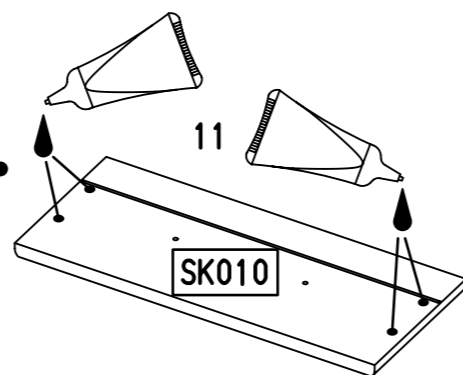


1

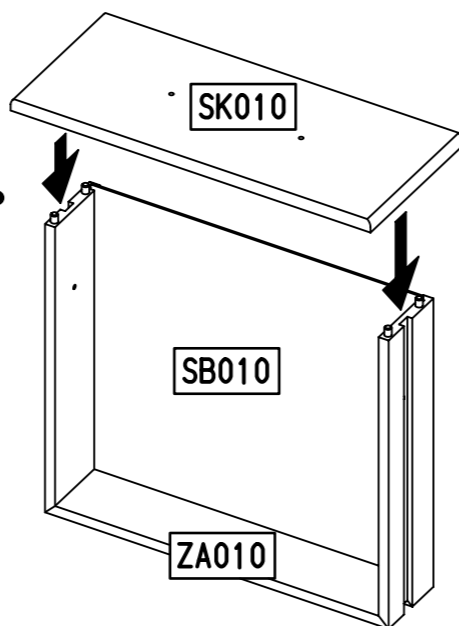
11



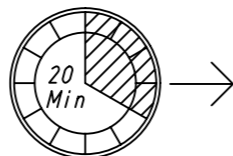
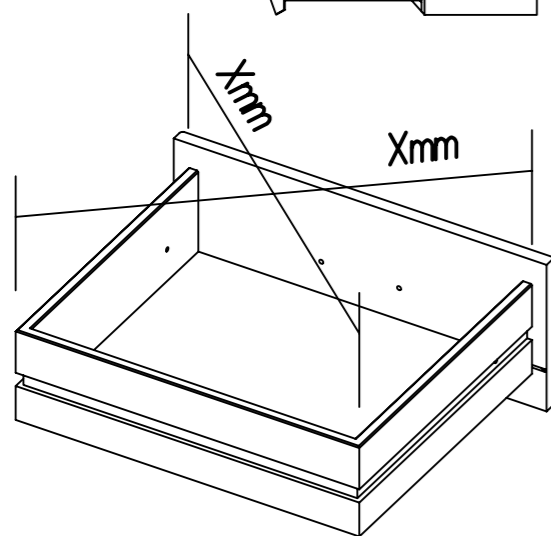
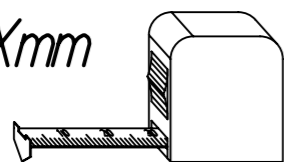
3.



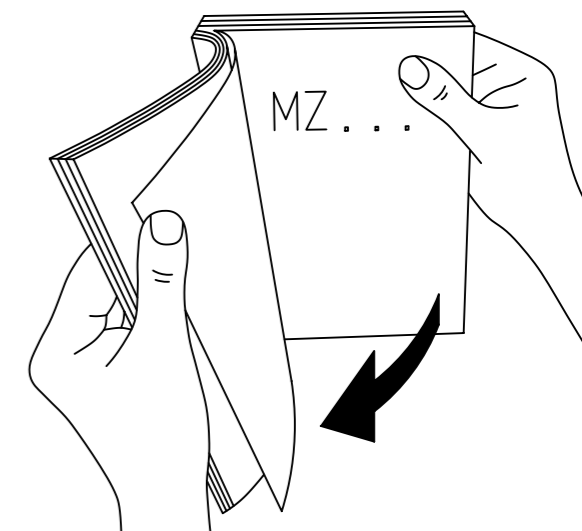
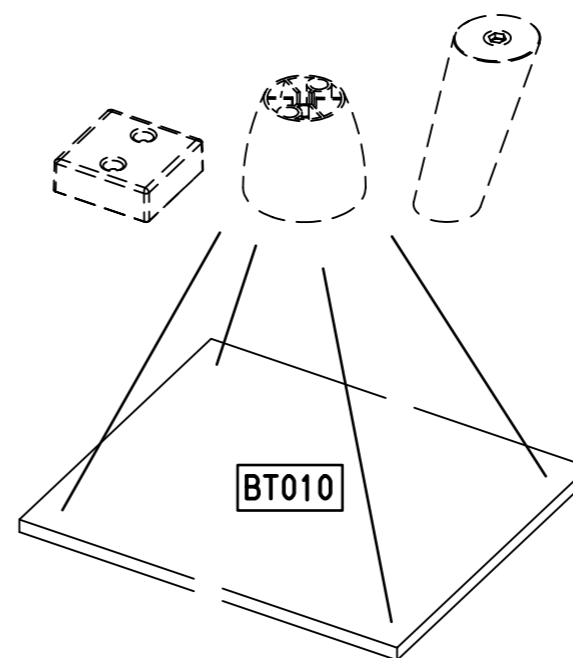
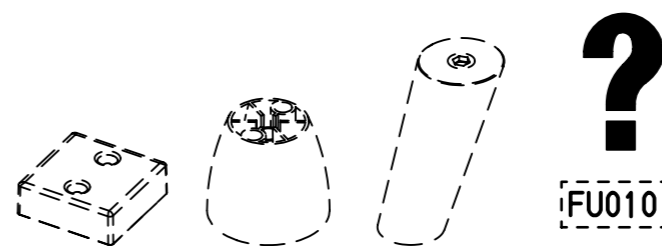
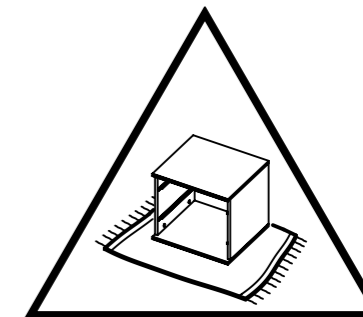
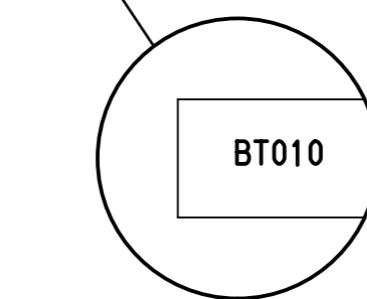
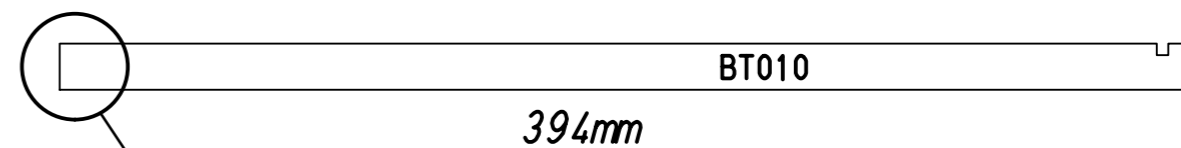
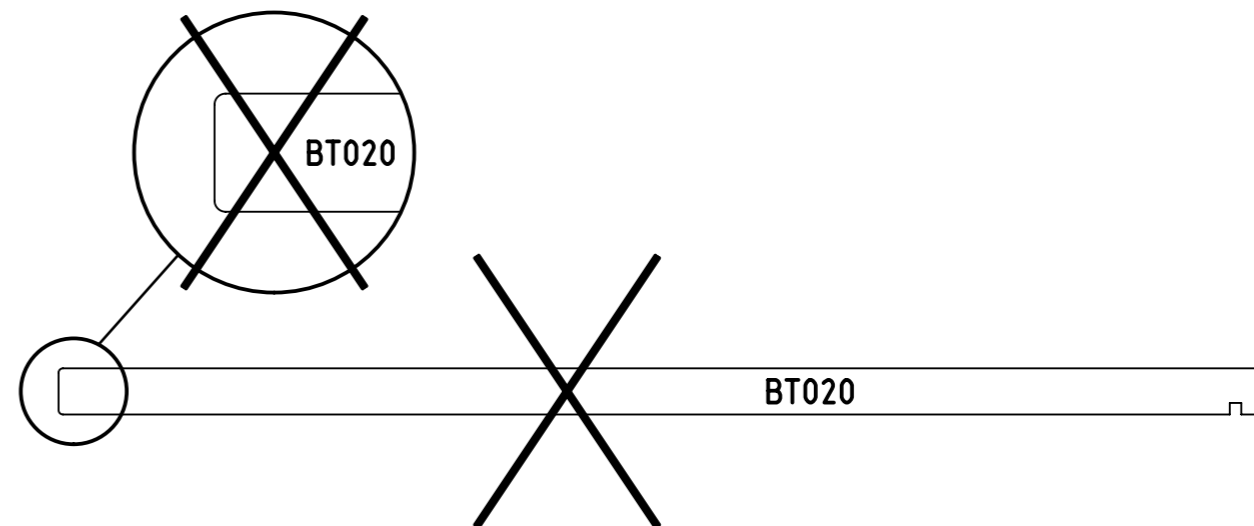
4.



Xmm = Xmm



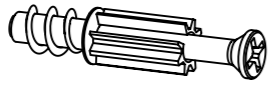
2



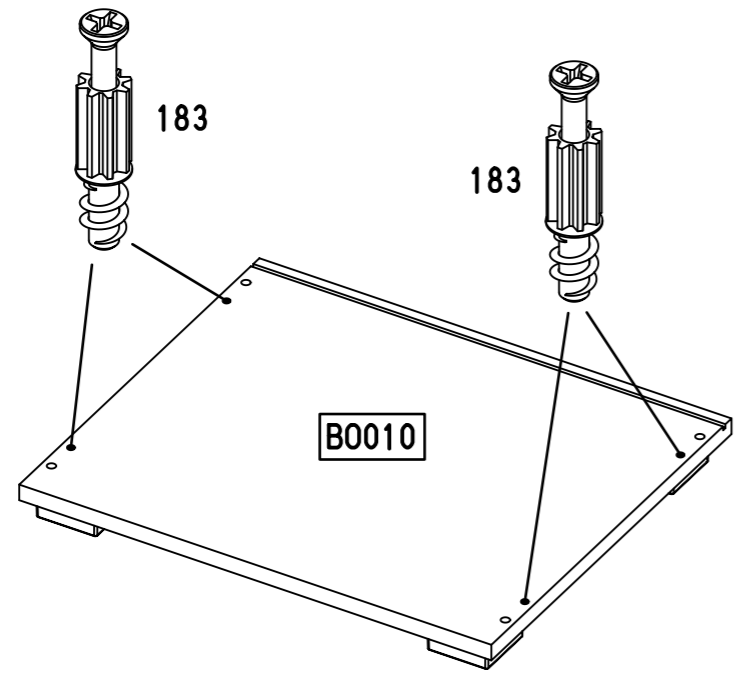
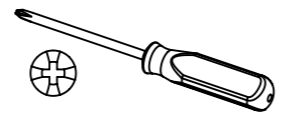
3

4x

183



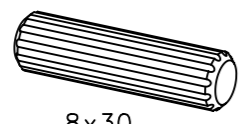
23/10x7,5/6,5



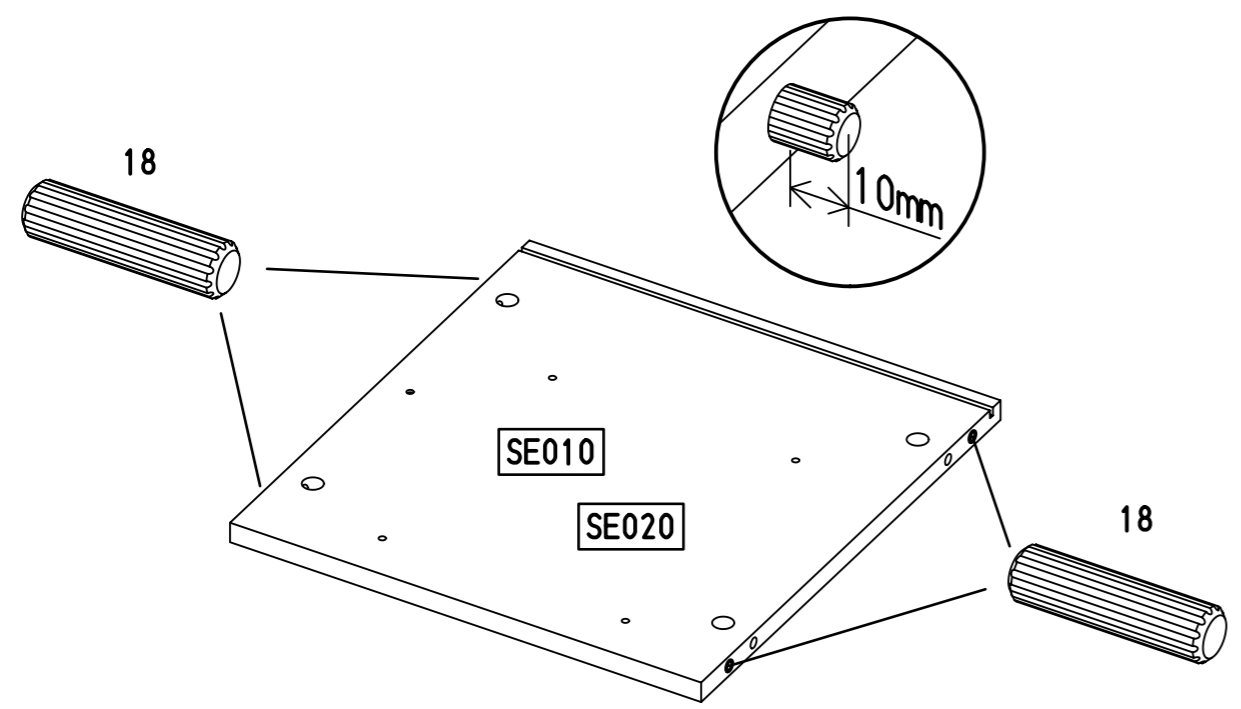
4

8x

18



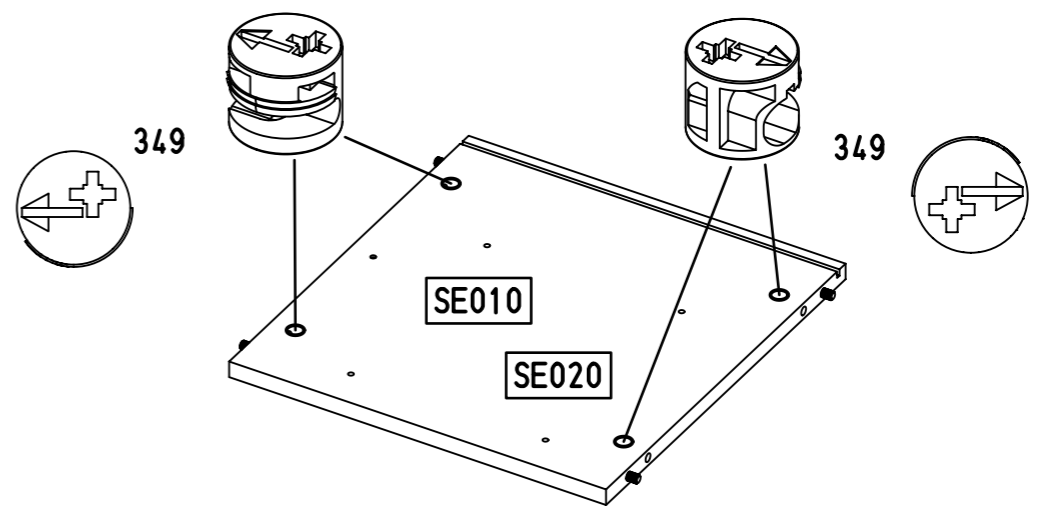
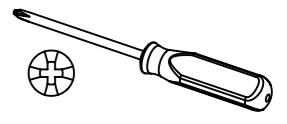
8x30



5

8x

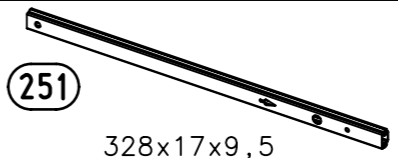
349



6

2x

251



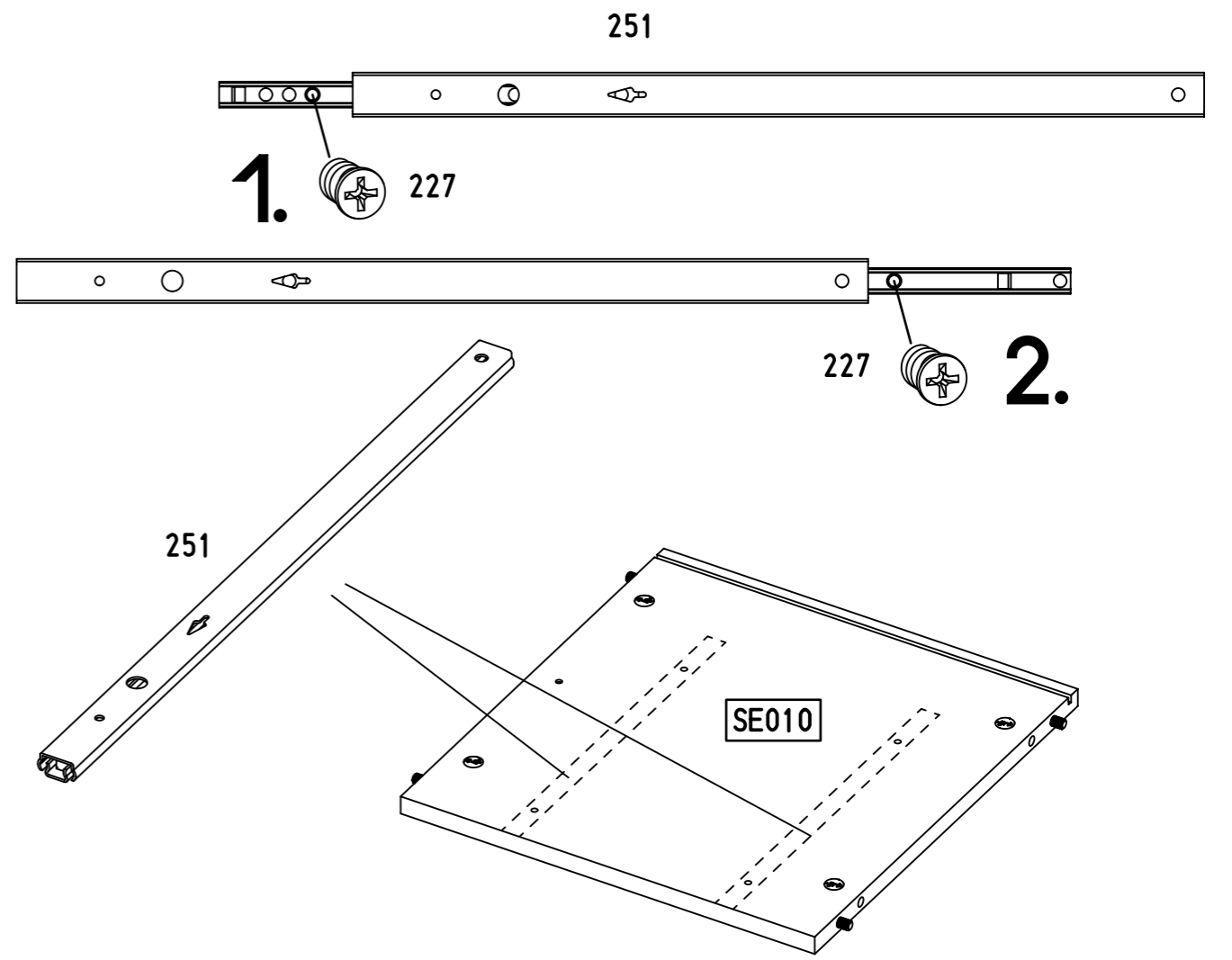
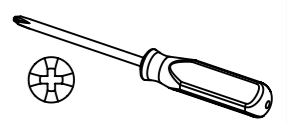
328x17x9,5

4x

227



6x10,5

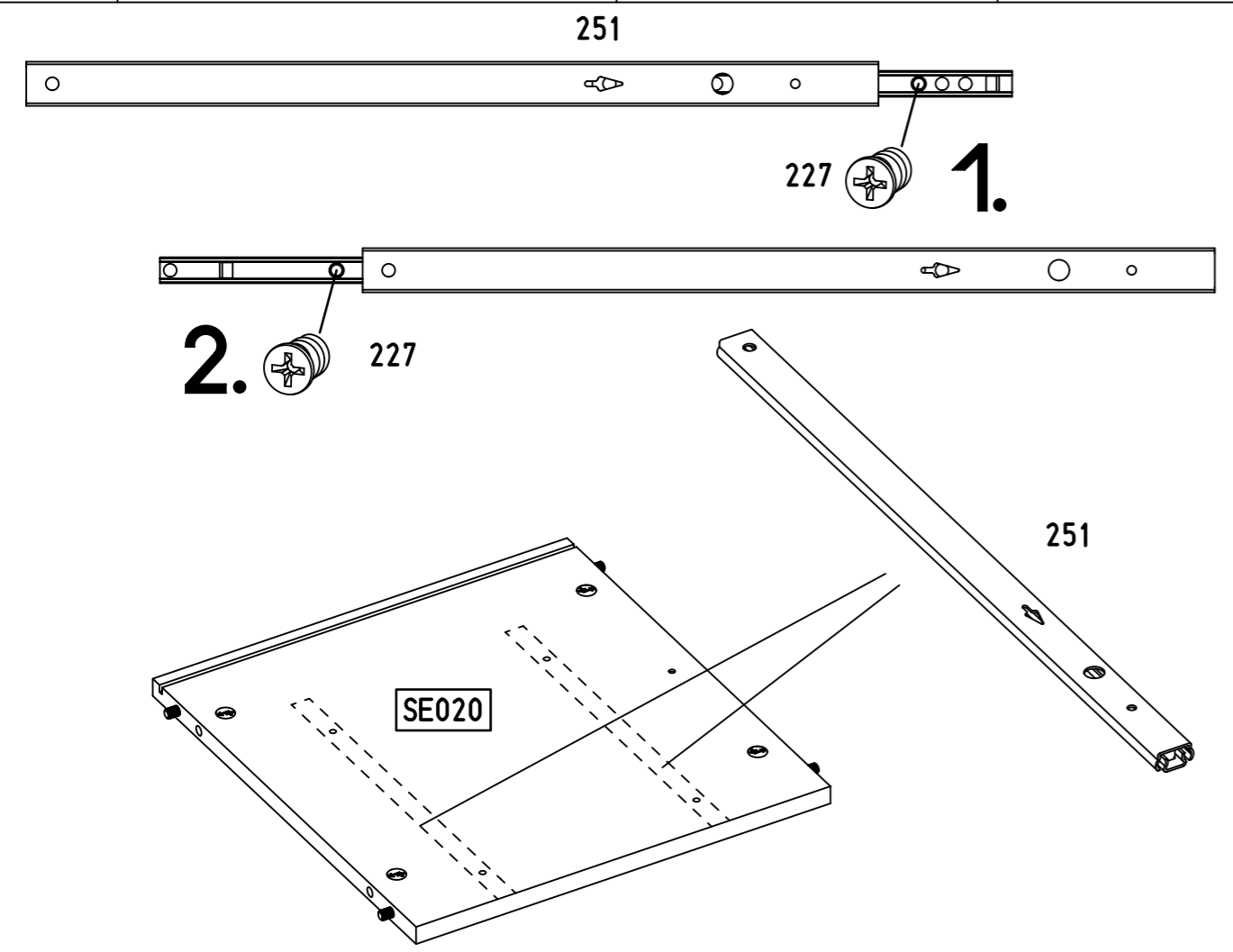
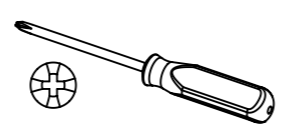


7.

7

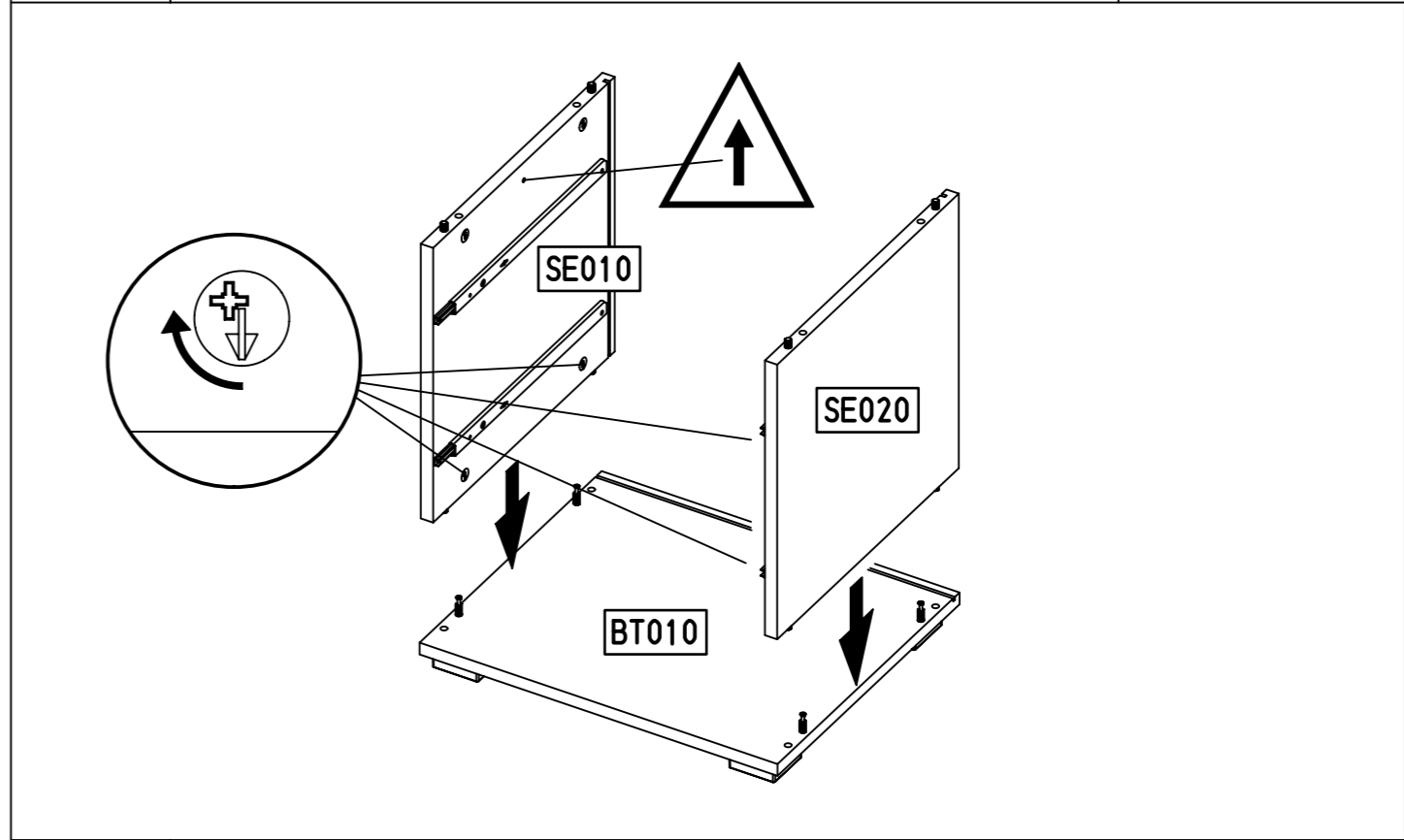
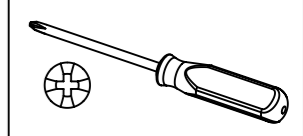
2x (251)
328x17x9,5

4x (227)
6x10,5



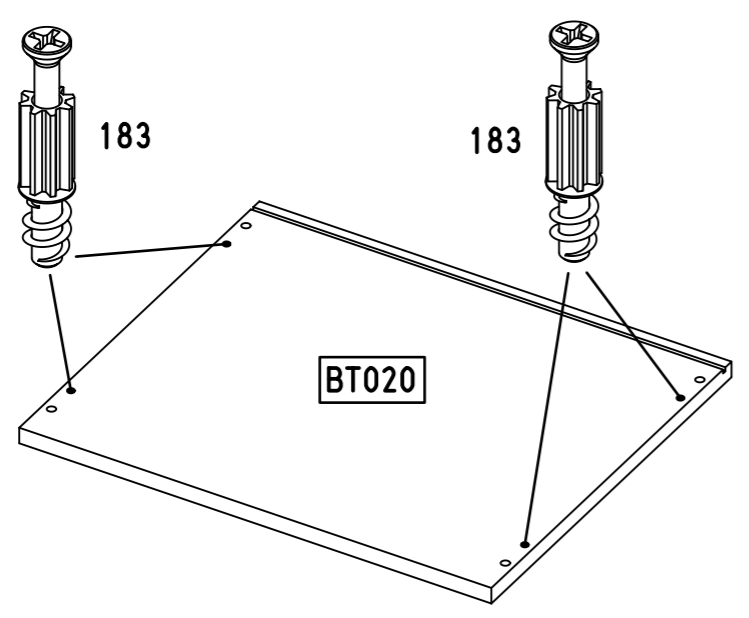
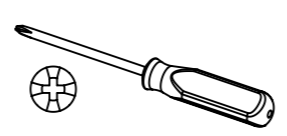
8.

9

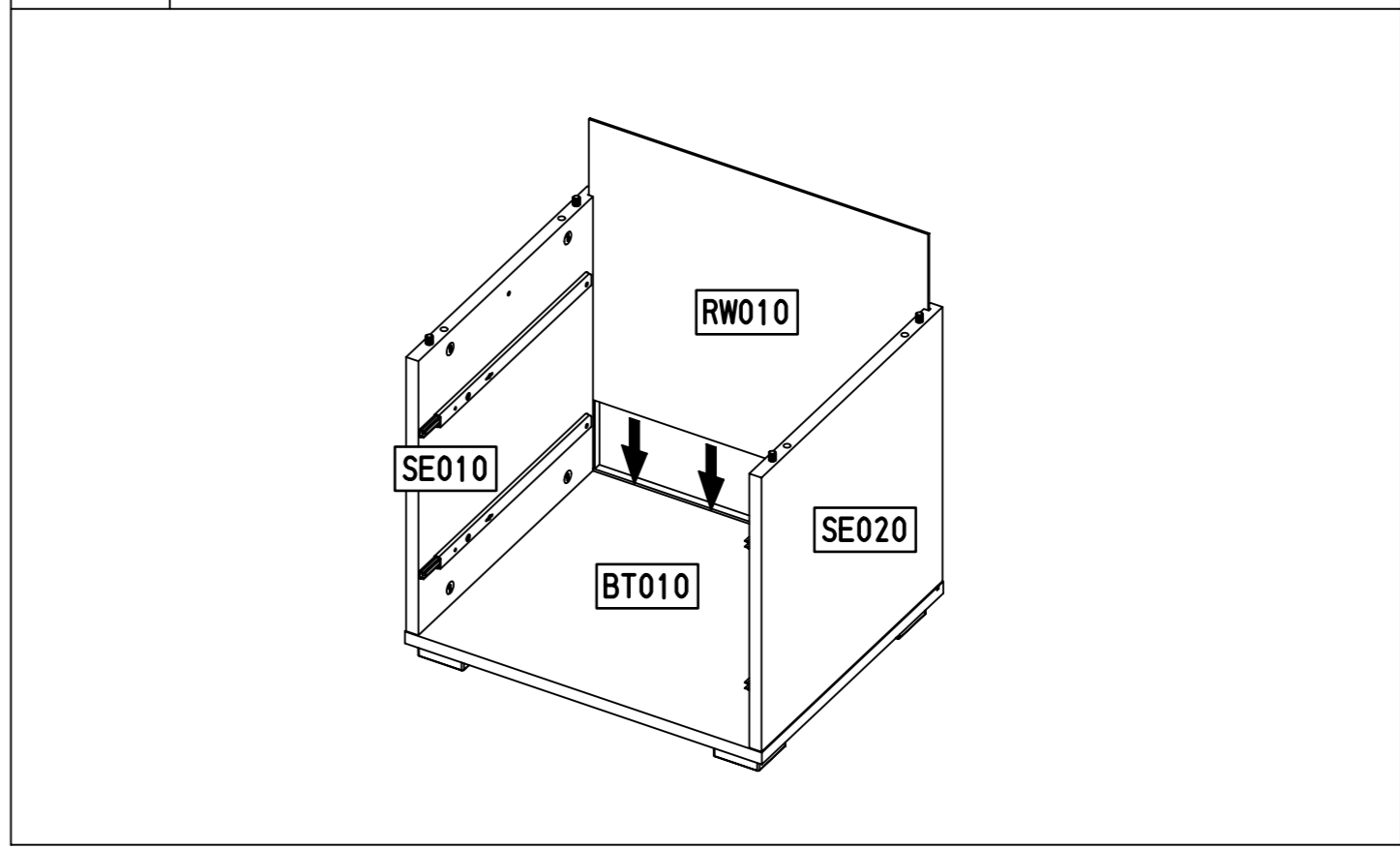


8

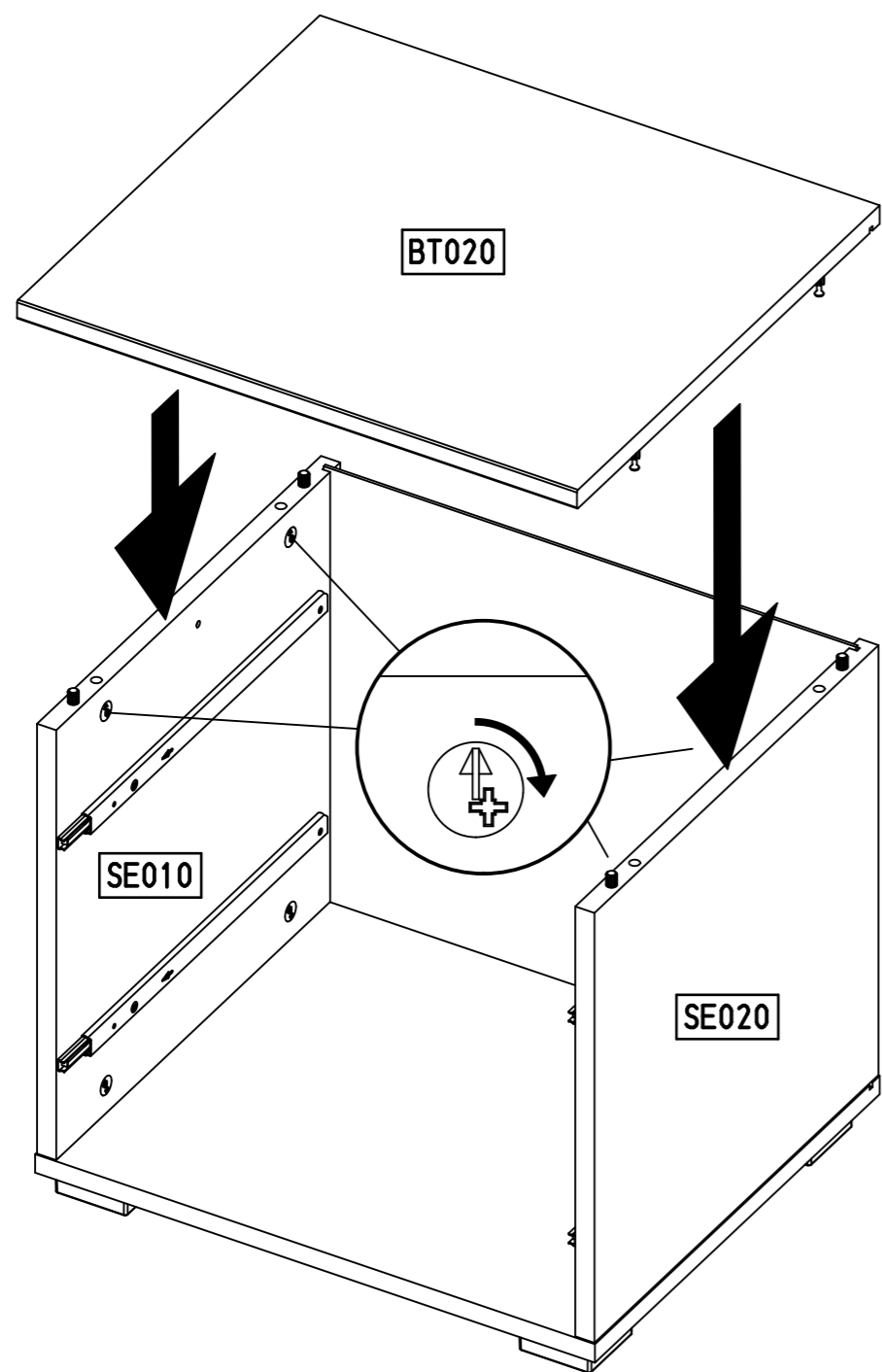
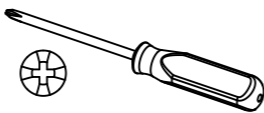
4x (183)
23/10x7,5/6,5



10



11



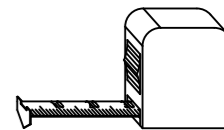
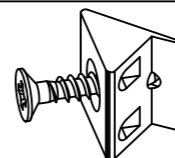
BT020

SE010

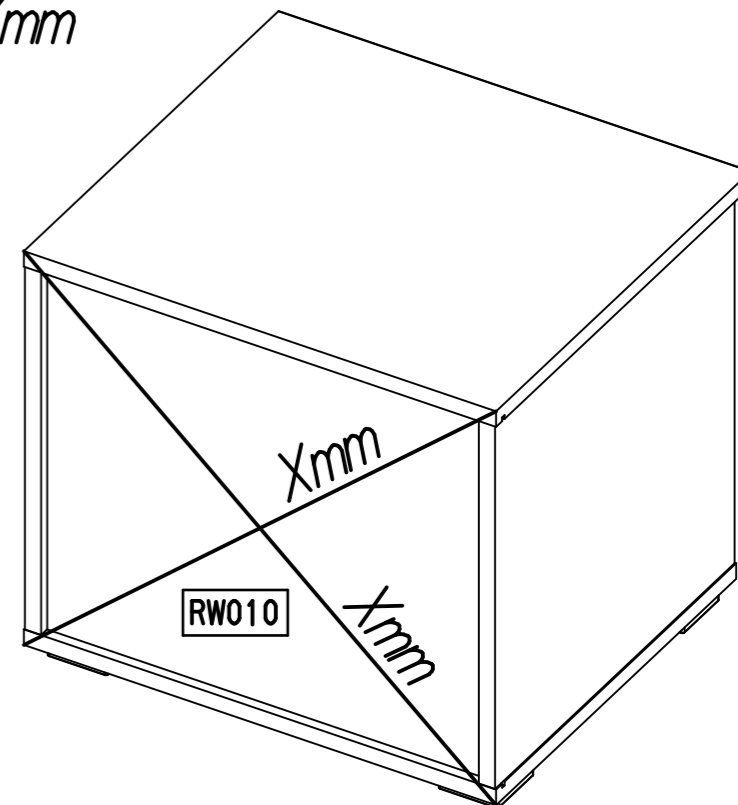
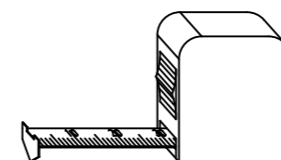
SE020

12

2x 45



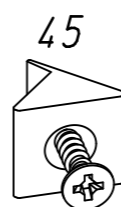
Xmm = Xmm



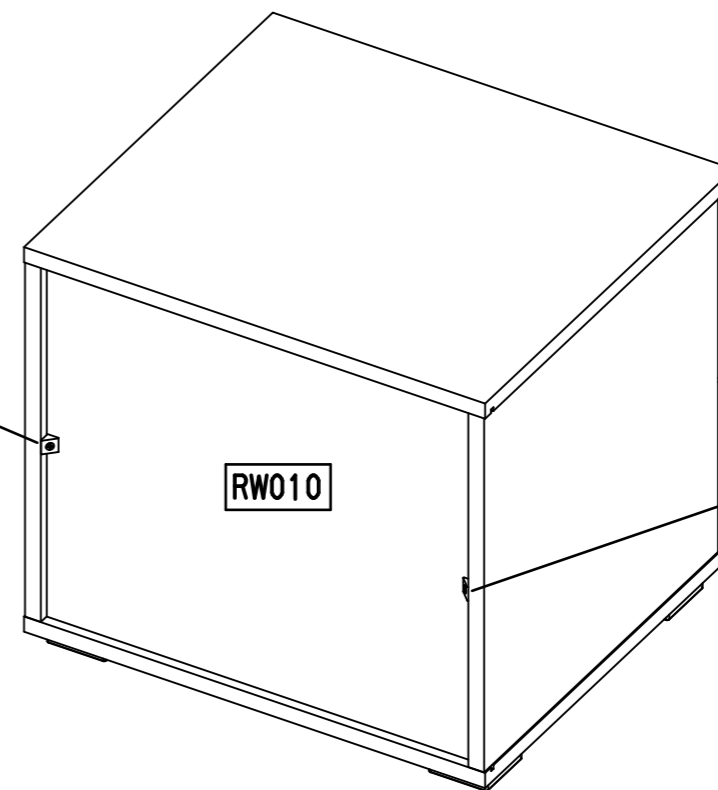
RW010

Xmm

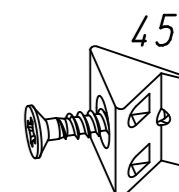
Xmm



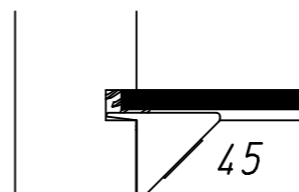
45



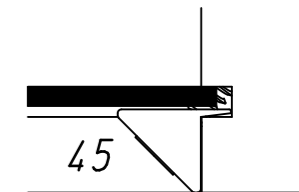
RW010



45



45

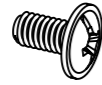


45

13

4x

568



M4x9

