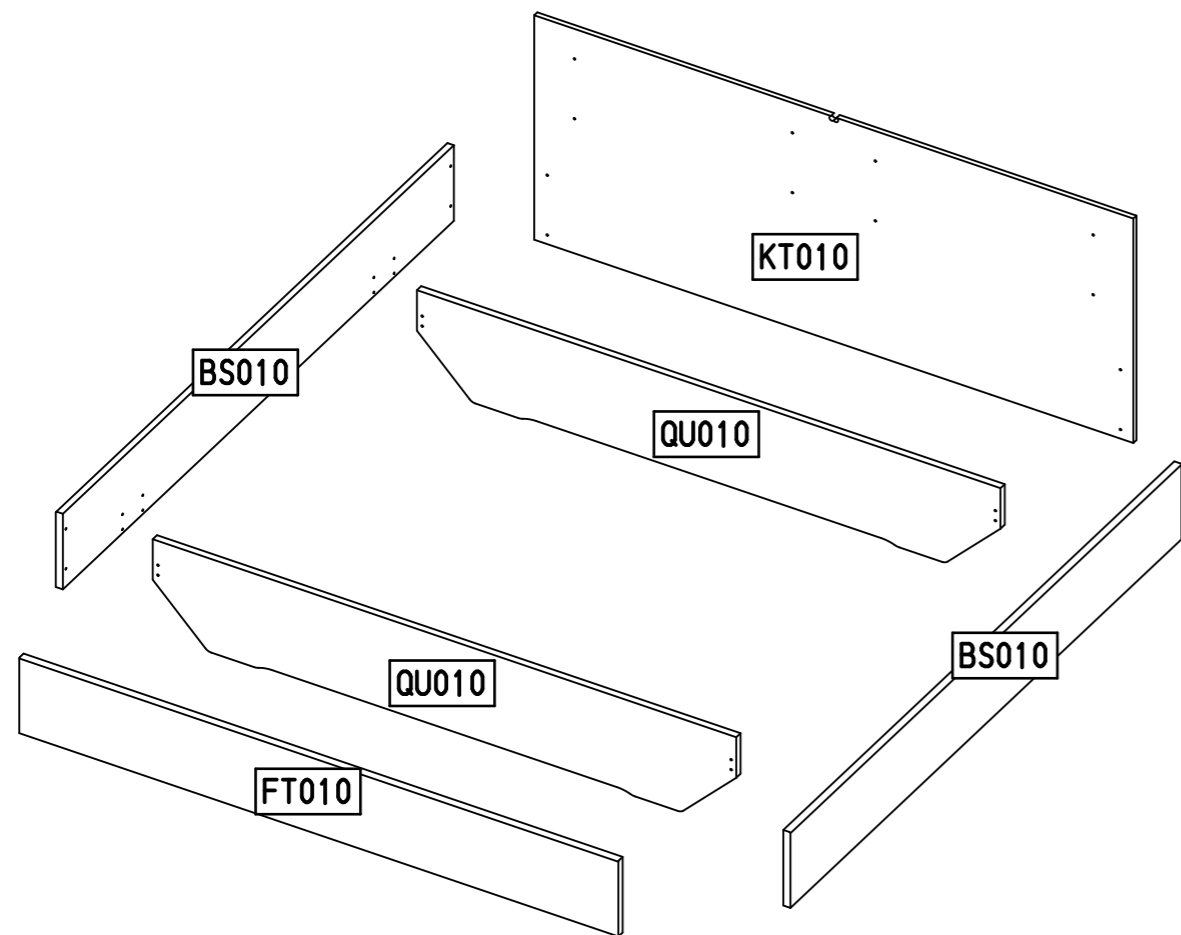
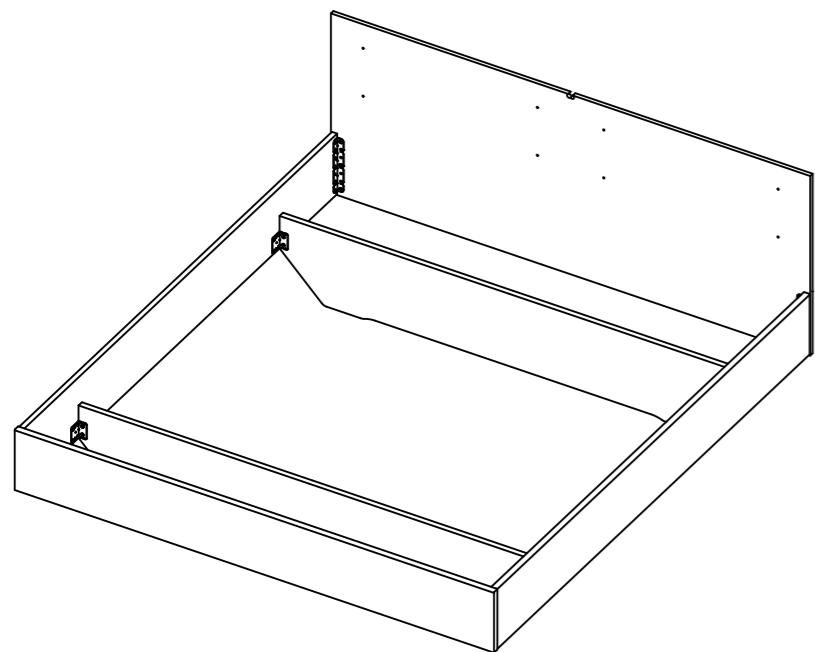
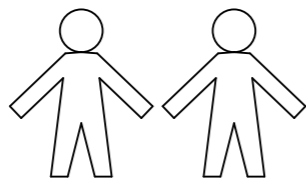
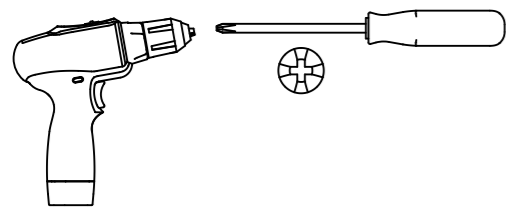


1.

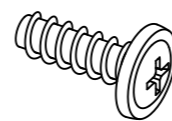
M1892_03

rauch



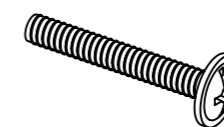
2.

30x (25)



6,3x18

8x (56)



M4x32

8x (176)



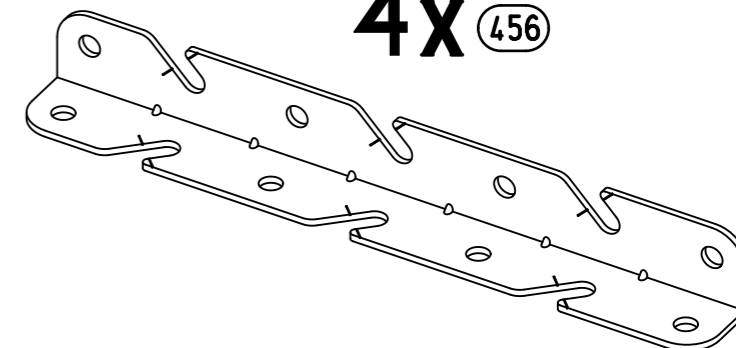
M4

28x (202)

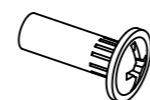


4,5x16

4x (456)

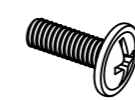


4x (580)



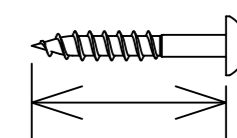
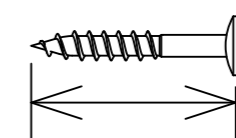
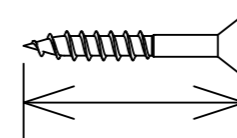
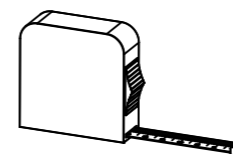
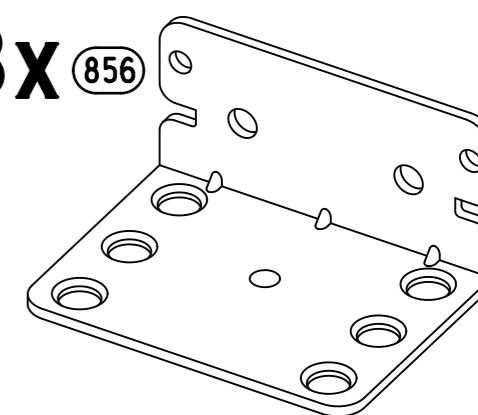
M4

4x (803)



M4x12

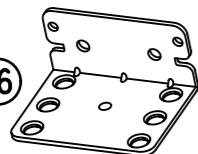
8x (856)



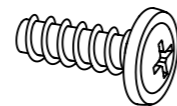
3.

1

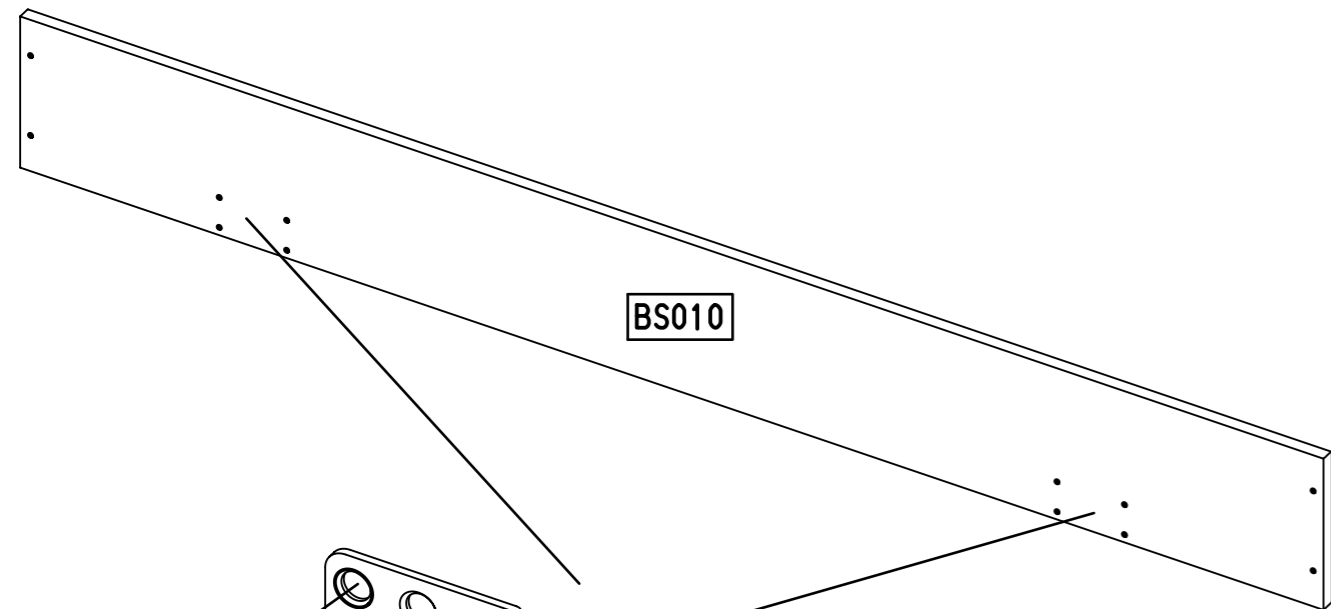
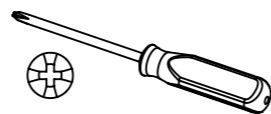
8x 856



16x 25

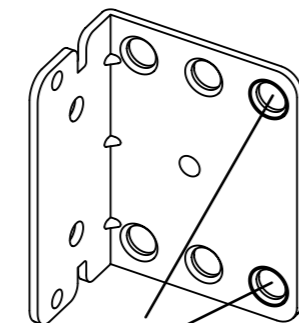


6,3x18

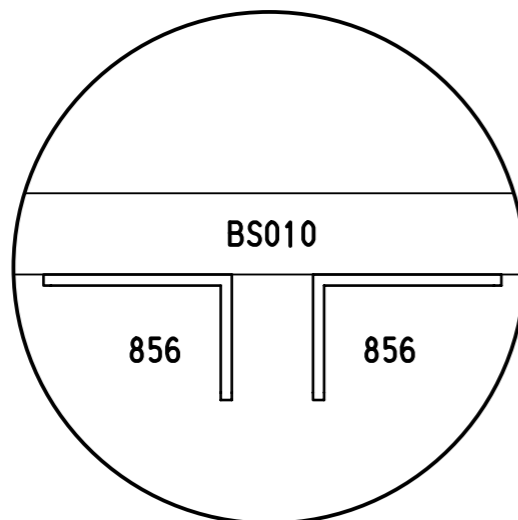


25

856



25



BS010

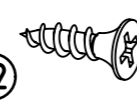
856

856

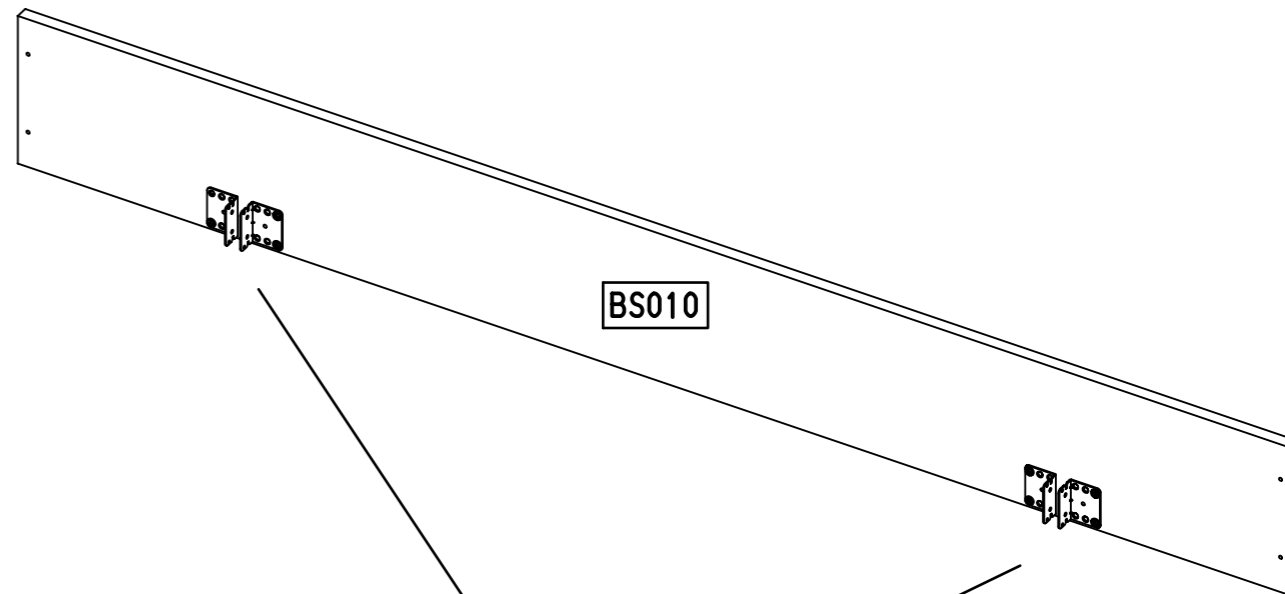
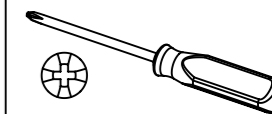
4.

2

16x 202



4.5x16



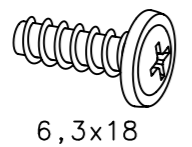
202

856

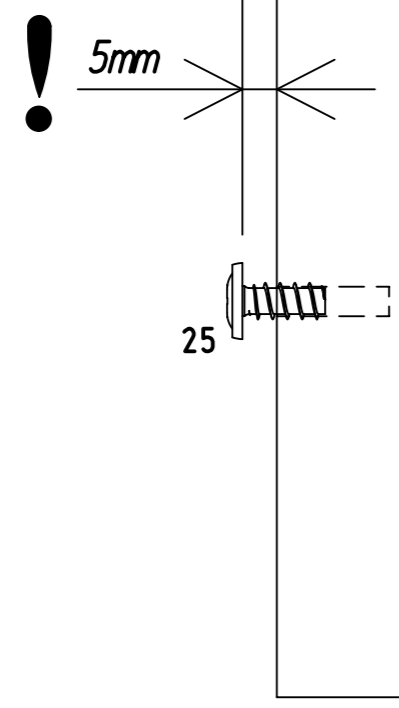
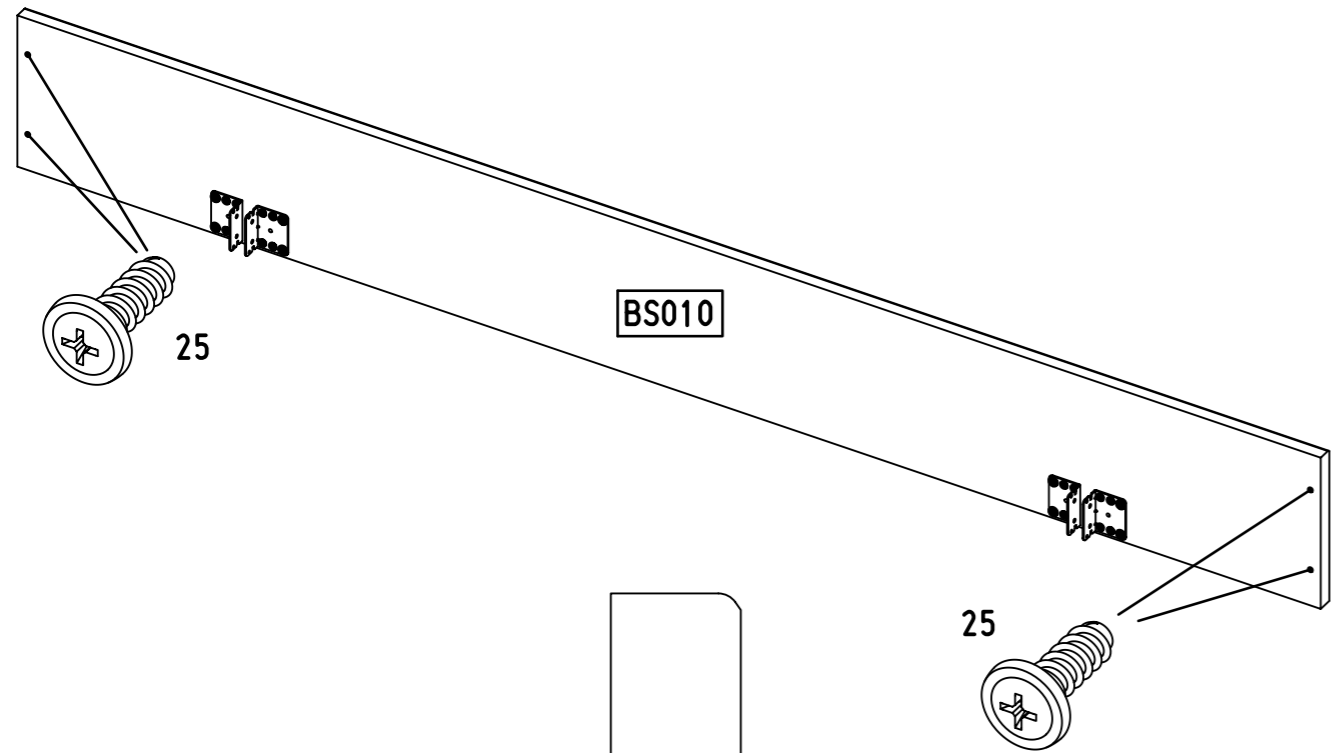
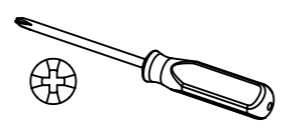
202

3

8x 25

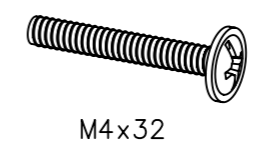


6,3x18



4

8x 56

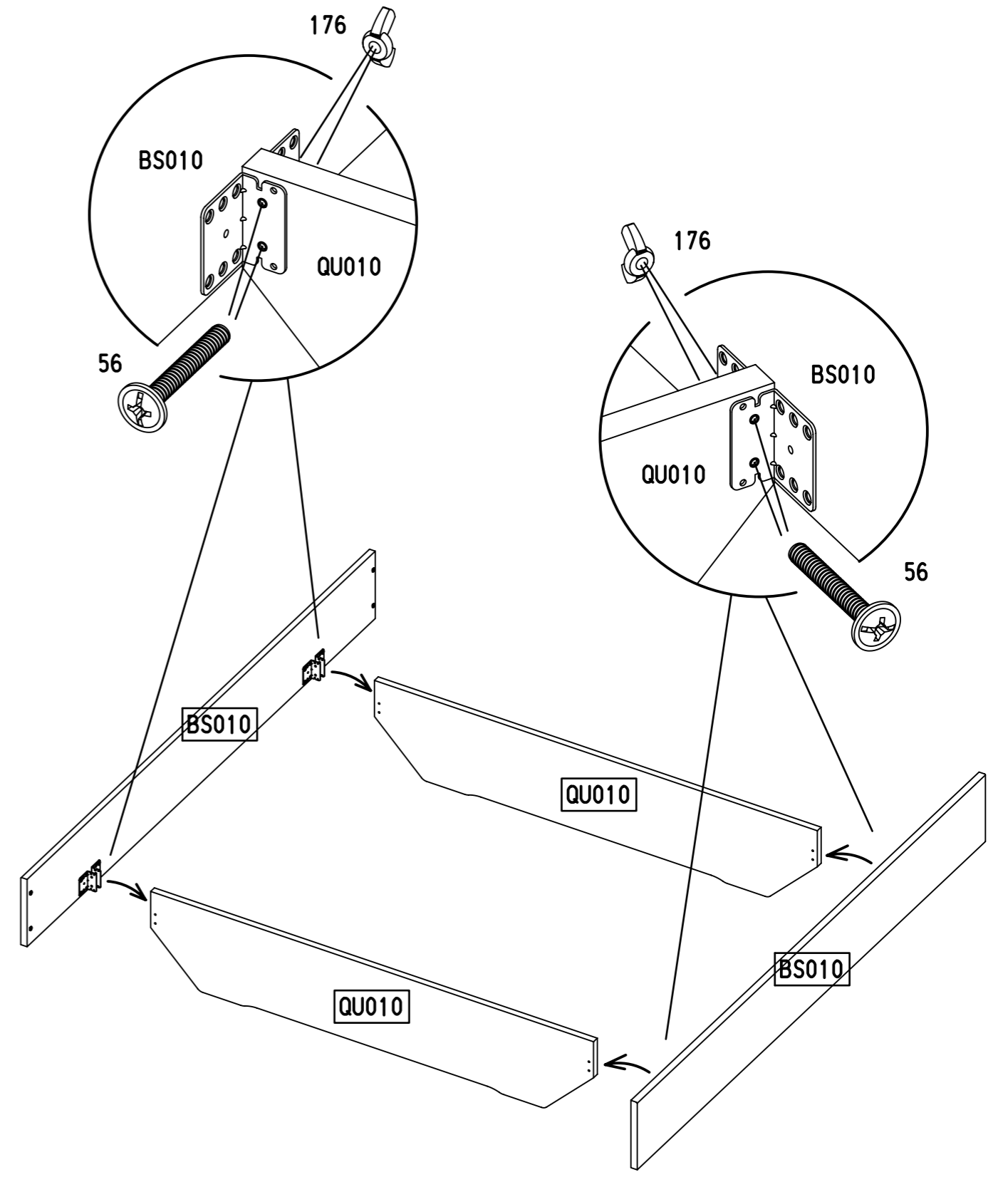
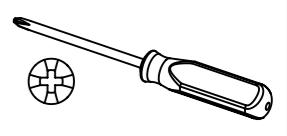


M4x32

8x 176



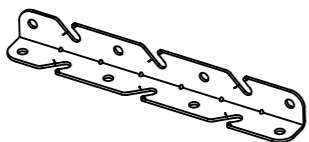
M4



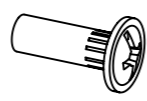
7.

5

2x 456

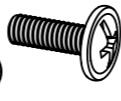


4x 580

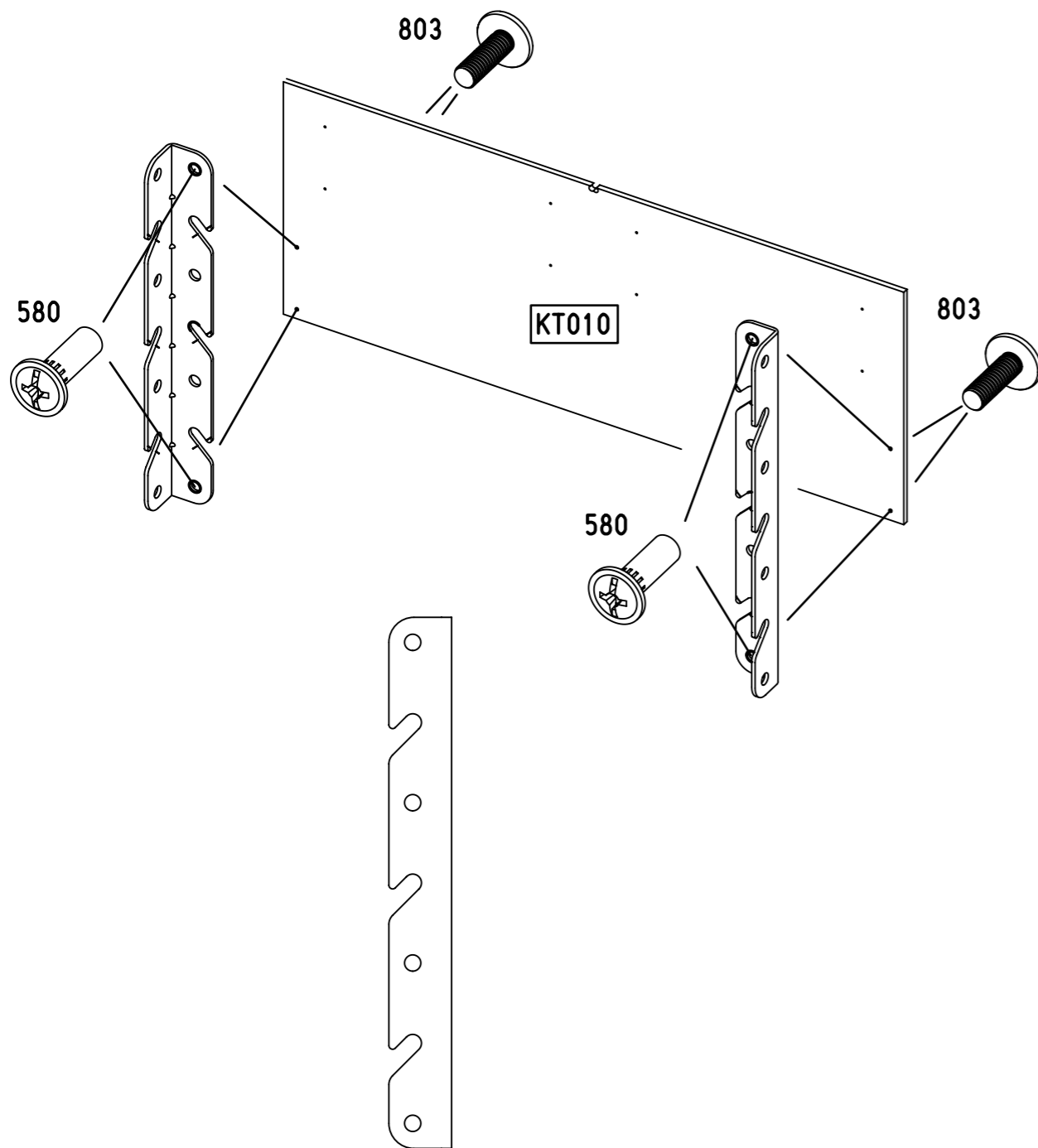
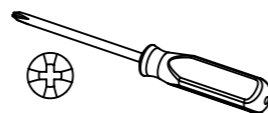


M4

4x 803



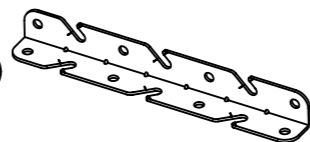
M4x12



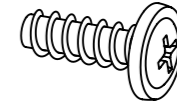
8.

6

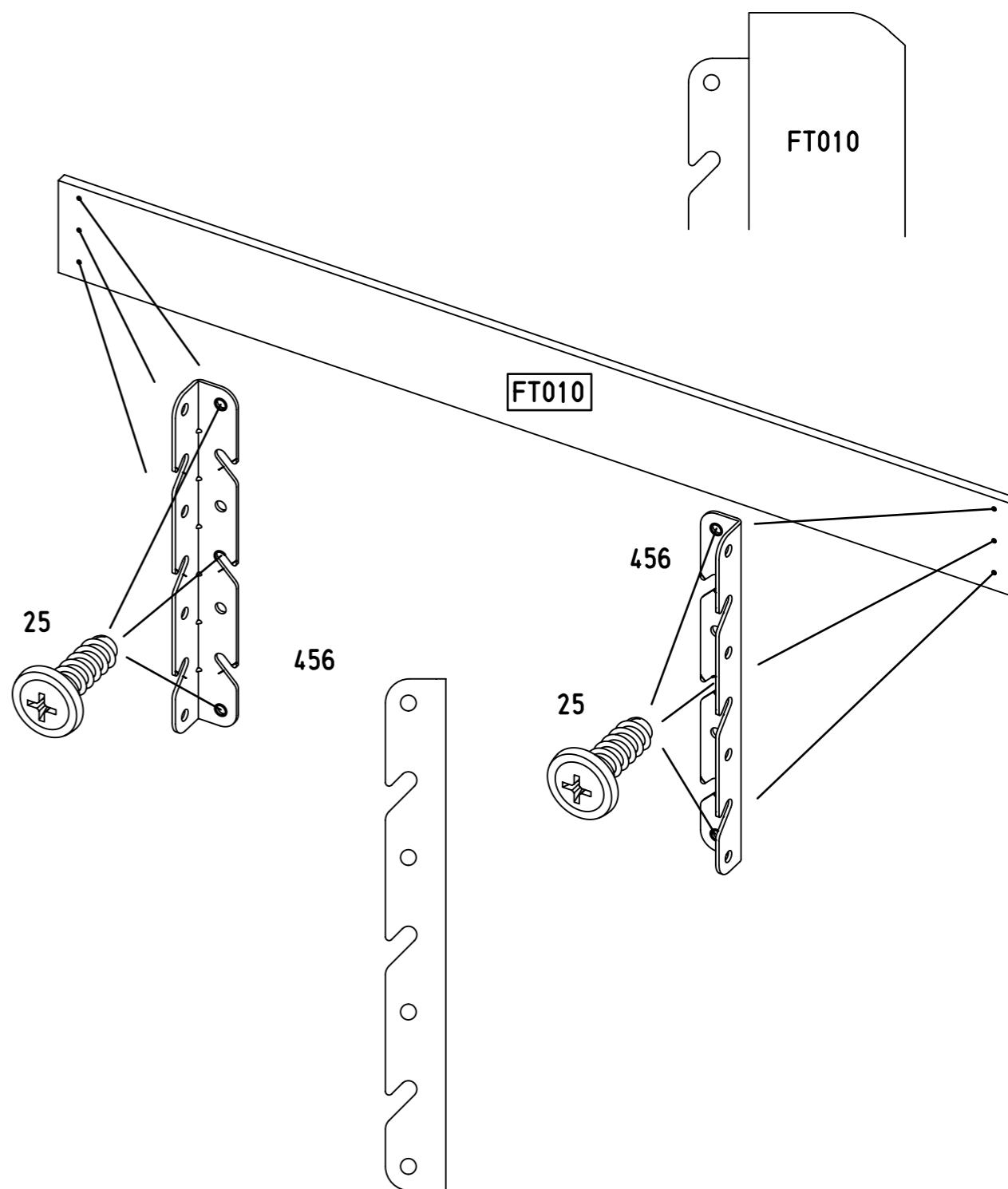
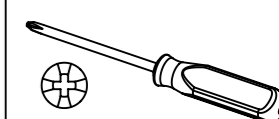
2x 456



6x 25



6,3x18



7

12x 202



4.5x16

